

LIFTMOORE 5000W CRANE

25,000 FT.-LB. MOMENT RATING
5,000 LB. MAXIMUM CAPACITY

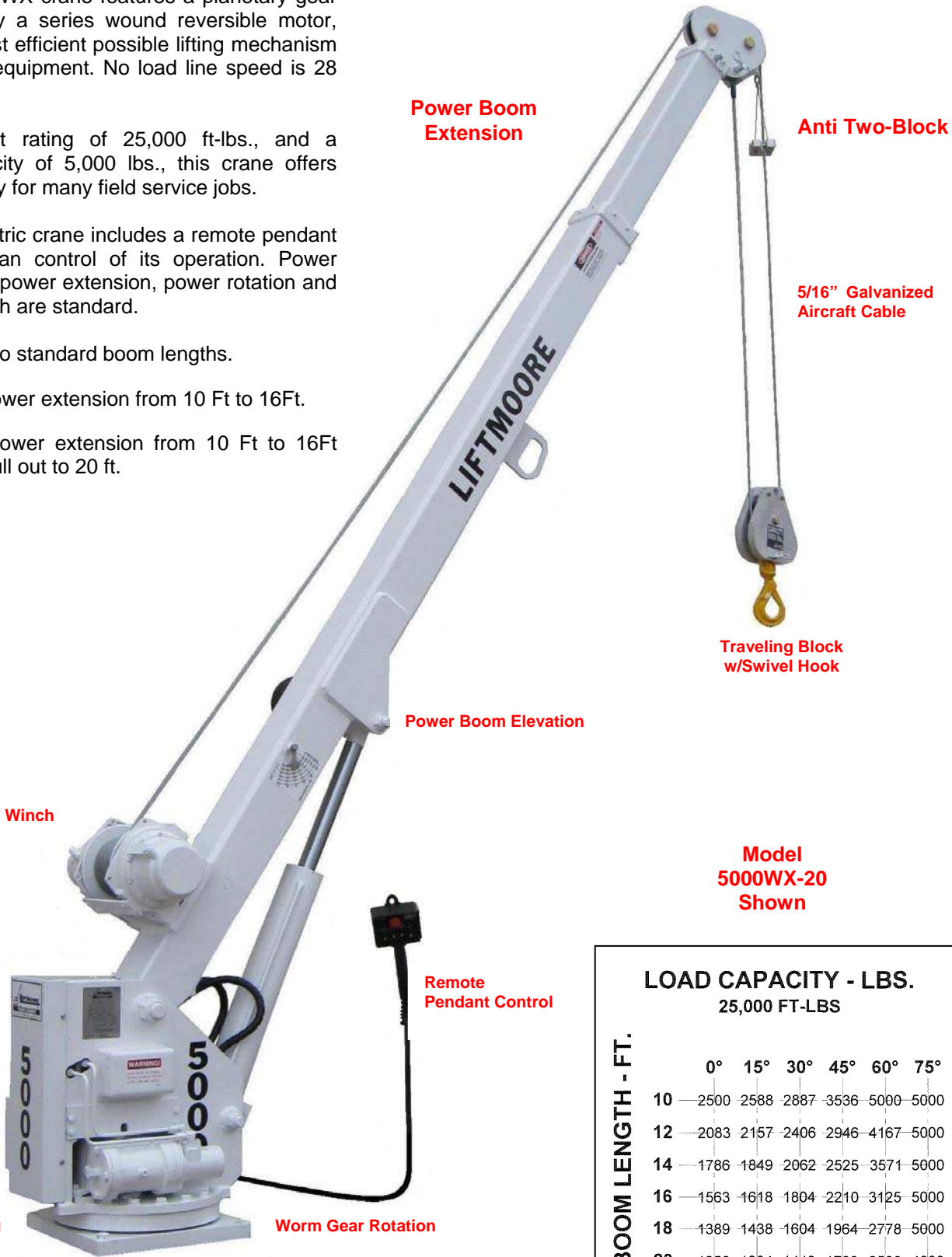
The Model 5000WX crane features a planetary gear winch, driven by a series wound reversible motor, which is the most efficient possible lifting mechanism for this type of equipment. No load line speed is 28 feet per minute.

With a moment rating of 25,000 ft.-lbs., and a maximum capacity of 5,000 lbs., this crane offers plenty of capacity for many field service jobs.

This 12-volt electric crane includes a remote pendant for easy one-man control of its operation. Power boom elevation, power extension, power rotation and power hoist winch are standard.

Available with two standard boom lengths.

- 5000WX-16 Power extension from 10 Ft to 16Ft.
- 5000WX-20 Power extension from 10 Ft to 16Ft with a manual pull out to 20 ft.



Power Boom Extension

Anti Two-Block

5/16" Galvanized Aircraft Cable

Traveling Block w/Swivel Hook

Power Boom Elevation

Planetary Gear Winch

Model 5000WX-20 Shown

Remote Pendant Control

Rotates on Gear Bearing Slewing Ring

Worm Gear Rotation

LOAD CAPACITY - LBS. 25,000 FT.-LBS

BOOM LENGTH - FT.	LOAD CAPACITY - LBS.					
	0°	15°	30°	45°	60°	75°
10	2500	2588	2887	3536	5000	5000
12	2083	2157	2406	2946	4167	5000
14	1786	1849	2062	2525	3571	5000
16	1563	1618	1804	2210	3125	5000
18	1389	1438	1604	1964	2778	5000
20	1250	1294	1443	1768	2500	4830



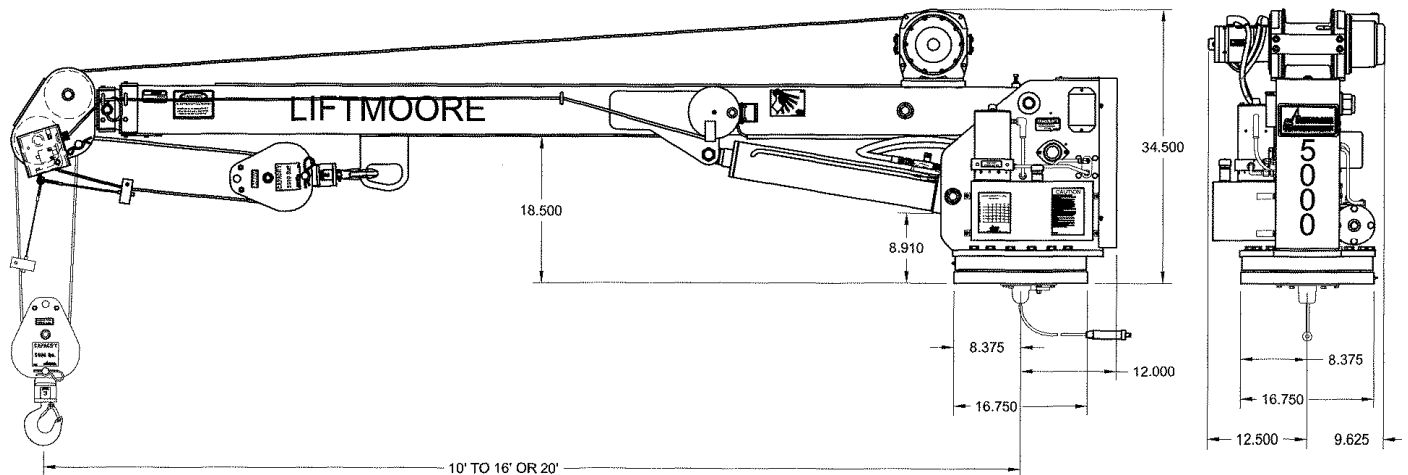
HOUSTON, TEXAS
FAX: (800) 824-5559 (USA & Canada)
FAX: (713) 688-6324
PHONE: (713) 688-5533
www.liftmoore.com



713-688-5533
WWW.LIFTMOORE.COM

22379

5000WX SPECIFICATIONS



MOMENT RATING: 25,000 Ft.-Lbs.

LIFT CAPACITIES:

5000 lbs. @ 5 ft. *	1785 lbs. @ 14 ft.
3125 lbs. @ 8 ft. *	1562 lbs. @ 16 ft.
2500 lbs. @ 10 ft.	1388 lbs. @ 18 ft.
2083 lbs. @ 12 ft.	1250 lbs. @ 20 ft.

* Two Part line required for loads above 3000lbs.

HOIST WINCH: The hoist winch is a planetary gear driven for the most efficient operation in the industry. The winch is powered by a 2.5 HP 12-volt DC series wound electric motor. Single line no load speed of the winch is 30 feet per minute. The winch drum to wire line meets ANSI requirements.

WIRE ROPE and SHEAVES: The crane is supplied with 80 Ft. of 5/16 in. galvanized aircraft cable. Cable breaking strength is 9,600 lbs. and conforms to ANSI requirements. The wire rope is outside of the boom and visible for operators continual inspection. A traveling block for easy two-part hookup is included. The block includes a roller thrust bearing swivel hook for easier rotation of the load. All sheaves meet ANSI requirements.

BOOM: The boom angle varies from -5 to +75 Degrees and is powered by a 4 in. diameter double acting cylinder with an integral counterbalance valve. The counterbalance valve has three important functions, This valve holds the cylinder in the event of hose failure, controls the rate of boom decent, and functions as a relief valve. All power extended booms include nylatron slide pads to reduce friction.

5000WX-16: The boom extends under power from 10 Ft. to 16 Ft.

5000WX-20: The boom extends under power from 10 Ft. to 16 Ft. with a 4-Ft. manual pull out to 20 Ft. with one intermediate position at 18 Ft.

POWER SOURCE: This crane operates on a 12 volt DC operating system. An additional battery is required and should be installed near the crane. This battery should be as large as possible. Use of a "Group 4D or larger" battery is recommended. A master cutoff switch, quick disconnect, circuit breaker and 25ft of battery wire for standard truck installation is provided.

ROTATION SYSTEM: The crane's rotation is powered through a worm gearbox for precise control and positive locking. The crane rotates on a gear bearing slewing ring. The electric swivel assembly allows continuous and unlimited rotation.

REMOTE PENDANT CONTROL: A 25-Ft. long remote pendant is provided for control of each powered function. All switches used in the pendant are momentary type. The pendant control is removable from the crane to prevent unauthorized use of the crane.

LOAD SENSOR: A load-limiting sensor is supplied as standard. This sensor will shut down hoist up, boom out and boom down when an overload is detected. The sensor will reset after the load is lowered.

ANTI TWO-BLOCK: Anti two-block is standard on this crane and prevents extending the boom against the travel block and breaking the cable.

MOUNTING: Four 7/8" Grade 8 bolts are required. Bolts are not included. The crane mounts on a 16 3/4 in. square base plate with a 14 3/4 in. square bolt pattern.

OUTRIGGERS: An optional outrigger is needed for stability requirements of OSHA 1910.180. The outrigger is necessary to reduce the load on the crane's rotation mechanism and the truck's suspension.



HOUSTON, TEXAS
 FAX: (800) 824-5559 (USA & Canada)
 FAX: (713) 688-6324
 PHONE: (713) 688-5533
 www.liftmoore.com

Bulletin 445A 02/2011