

Technical Data

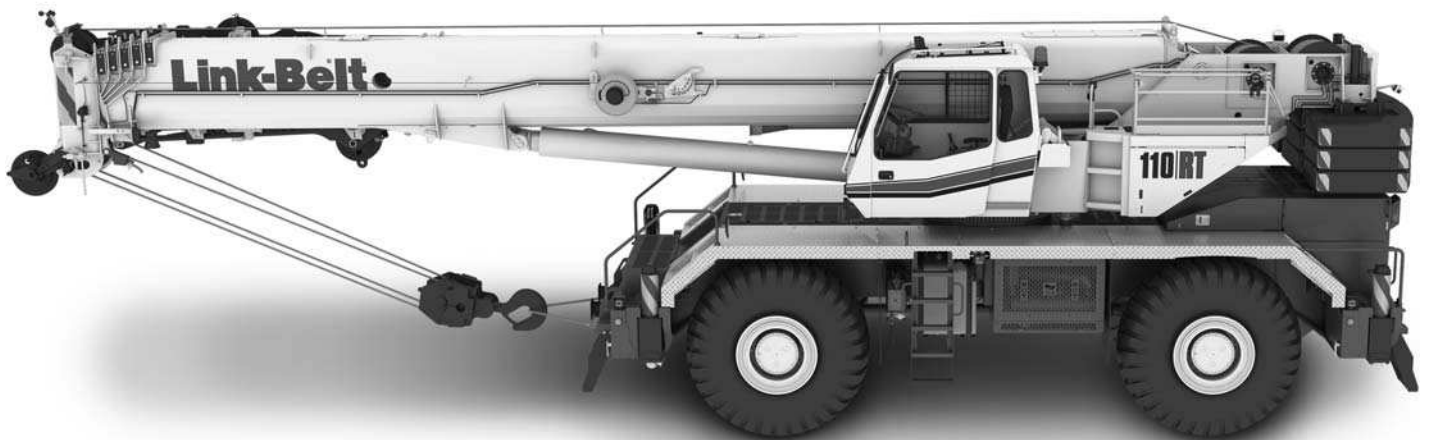
Specifications & Capacities

110|RT

Telescopic Boom Rough Terrain Crane

110 US ton

100 metric ton



CAUTION: This material is supplied for reference use only. Operator must refer to in-cab Crane Rating Manual and Operator's Manual to determine allowable crane lifting capacities and assembly and operating procedures.

Table Of Contents

Boom, Attachments, and Upper Structure	1
Boom	1
Boom	1
Boom Wear Pads	1
Boom Head	1
Boom Elevation	1
Auxiliary Lifting Sheave – Optional	1
Hook Blocks and Balls – Optional	1
Fly – Optional	1
Fly Extensions – Optional	1
Operator’s Cab and Controls	2
Swing	3
Electrical	3
Load Hoist System	4
Load Hoist Performance	4
Main and Optional Auxiliary Winches	4
Hydraulic System	4
Counterweight	4
Carrier	5
General	5
Outriggers	5
Steering and Axles	5
Suspension	5
Tires and Wheels	5
Brakes	5
Electrical	5
Engine	5
Transmission	5
Fuel Tank	6
Hydraulic System	6
Pump Drive	6
Maximum Speed	6
Gradeability	6
Paint	6
Additional Equipment Options	6
Axle Loads	7
General Dimensions	8
Tier 4f / Stage IV	8
Tier 3 / Stage IIIA	9
Working Range Diagram	10
164.1’ Main Boom + 10’ Fly	10
Main Boom + Fly	11
Boom Extend Modes	12
Main Boom Lift Capacity Charts – Imperial	13
19,200 lb Counterweight – Fully Extended Outriggers – 360° Rotation	13
28,800 lb Counterweight – Fully Extended Outriggers – 360° Rotation	14
Fly Attachment Lift Capacity Charts – Optional	15
19,200 lb Counterweight – Fully Extended Outriggers – 360° Rotation	15
Main Boom + 10 ft Manual Offset Fly (2°, 15°, 30° & 45° Offsets)	15

28,800 lb Counterweight – Fully Extended Outriggers – 360° Rotation	16
Main Boom + 10 ft Manual Offset Fly (2°, 15°, 30° & 45° Offsets)	16
19,200 lb Counterweight – Fully Extended Outriggers – 360° Rotation	17
164.1 ft Main Boom Length	17
28,800 lb Counterweight – Fully Extended Outriggers – 360° Rotation	18
164.1 ft Main Boom Length	18
Main Boom Lift Capacity Charts – On Tires	19
19,200 lb Counterweight – On Tires – Stationary – Boom Centered Over Front Between Tire Tracks	19
19,200 lb Counterweight – On Tires – Pick & Carry (Creep) – Boom Centered Over Front	20
19,200 lb Counterweight – On Tires – Stationary – 360° Rotation	20
Main Boom Lift Capacity Charts – 85% – Metric	21
8.8t Counterweight – Fully Extended Outriggers – 360° Rotation	21
13.2t Counterweight – Fully Extended Outriggers – 360° Rotation	22
Fly Attachment Lift Capacity Charts – 85% – Optional	23
13.2t Counterweight – Fully Extended Outriggers – 360° Rotation	23
Boom Length + 3.0m Manual Offset Fly (2°, 15°, 30° & 45° Offsets)	23
50.0m Main Boom Length	24
Main Boom Lift Capacity Charts – 85% – On Tires	25
8.8t Counterweight – On Tires – Stationary – Boom Centered Over Front Between Tire Tracks	25
8.8t Counterweight – On Tires – Pick & Carry (Creep) – Boom Centered Over Front	26
8.8t Counterweight – On Tires – Stationary – 360° Rotation	26
Main Boom Lift Capacity Charts – 75%/ISO – Metric	27
8.8t Counterweight – Fully Extended Outriggers – 360° Rotation	27
13.2t Counterweight – Fully Extended Outriggers – 360° Rotation	28
Fly Attachment Lift Capacity Charts – 75%/ISO – Optional	29
13.2t Counterweight – Fully Extended Outriggers – 360° Rotation	29
Boom Length + 3.0m Manual Offset Fly (2°, 15°, 30° & 45° Offsets)	29
50.0m Main Boom Length	30
Main Boom Lift Capacity Charts – 75% – On Tires	31
8.8t Counterweight – On Tires – Stationary – Boom Centered Over Front Between Tire Tracks	31
8.8t Counterweight – On Tires – Pick & Carry (Creep) – Boom Centered Over Front	32
8.8t Counterweight – On Tires – Stationary – 360° Rotation	32

Boom, Attachments, and Upper Structure

■ Boom

Design — Six section, formed construction of extra high tensile steel consisting of one base section and five telescoping sections. The two plate design of each section has multiple longitudinal bends for superior strength. Each telescoping section extends independently by means of one double-acting, single stage hydraulic cylinder with integrated holding valves.

Boom

- 38–164.1 ft (11.6–50.0m) six section boom
- Four boom extend modes (EM1 through EM4), controlled from the operator's cab, provide superior capacities by varying the extension of the telescoping sections:
 - EM1 extends to 164.1 ft (50.0m)
 - EM2 extends to 140.0 ft (42.7m)
 - EM3 extends to 114.6 ft (34.9m)
 - EM4 extends to 89.5 ft (27.3m)
- Mechanical boom angle indicator
- Maximum tip height for each extend mode is:
 - EM1 is 173.6 ft (52.9m)
 - EM2 is 150.2 ft (45.8m)
 - EM3 is 124.9 ft (38.1m)
 - EM4 is 100.2 ft (30.5m)

Boom Wear Pads

- Wear pads with Teflon inserts that self-lubricate the boom sections
- Bottom wear pads are universal for all boom sections
- Top wear pads are universal for all boom sections

Boom Head

- Five 16.5 in (41.9cm) root diameter nylon sheaves to handle up to ten parts of line
- Easily removable wire rope guards
- Rope dead end lugs on each side of the boom head
- Boom head is designed for quick-reeve of the hook block
- Wind speed indicator
- Aviation obstruction solar marking light and flag — optional

Boom Elevation

- One double acting hydraulic cylinder with integral holding valve
- Boom elevation: -3° to 80°

Auxiliary Lifting Sheave — Optional

- Single 16.5 in (41.9m) root diameter nylon sheave
- Easily removable wire rope guards
- Does not affect erection of the fly or use of the main head sheaves

Hook Blocks and Balls — Optional

- 25 ton (22.7mt) 1 sheave quick-reeve hook block with safety latch
- 60 ton (54.4mt) 3 sheave quick-reeve hook block with safety latch
- 80 ton (72.5mt) 5 sheave quick-reeve hook block with safety latch
- 110 ton (99.8mt) 6 sheave quick-reeve hook block with safety latch
- 10 ton (9.1mt) swivel and non-swivel hook balls with safety latch

Fly — Optional

- 10 ft (3.0m) one piece lattice fly, stowable, offsettable to 2° , 15° , 30° , and 45° . Maximum tip height is 182.2 ft (55.5m).
- 35–58 ft (10.7–17.7m) two piece bi-fold lattice fly, stowable, offsettable to 2° , 15° , 30° , and 45° . Maximum tip height is 230.4 ft (70.2m).
- 10–35–58 ft (3.0–10.7–17.7m) three piece bi-fold lattice fly, stowable, offsettable to 2° , 15° , 30° , and 45° . Maximum tip height is 230.4 ft (70.2m).

Fly Extensions — Optional

- One 16 ft (4.9m) lattice extension, to be mounted between the boom head and fly options. Maximum tip height is 246.1 ft (75.0m).
- Two 16 ft (4.9m) lattice extensions, to be mounted between the boom head and fly options. Maximum tip height is 261.7 ft (79.8m). Minimum of 19,200 lb (8.8t) of counterweight required.

■ Operator's Cab and Controls

Environmental Cab — Fully enclosed, one person cab of galvanneal steel structure with acoustical insulation

Equipped with:

- Tinted and tempered glass windows
- Extra—large fixed front window with windshield wiper and washer
- Swing up roof window with windshield wiper and washer
- Sliding left side door with large fixed window
- Sliding rear and right side windows for ventilation
- Six way adjustable, cushioned seat with seat belt and storage compartment
- Diesel fired warm—water heater with air ducts for front windshield defroster and cab floor
- Defroster fan for the front window
- Bubble level
- Circulating fan
- Adjustable sun screen
- Dome lights
- Cup holder
- Fire extinguisher
- Left side viewing mirror
- Two position travel swing lock
- AM/FM radio

Air Conditioning — Integral with cab heating system utilizing the same ventilation outlets

Engine Dependant Warm—Water Heater — Optional — With air ducts for front windshield defroster and cab floor

Steering Column — Pedestal type with tilt and telescope functions for operator comfort. Column includes the following controls and indicators:

Left and right levers include:

- Horn button
- Turn signal switch
- Driving light switch
- Transmission direction switch

Panel mounted switches for:

- Travel park brake
- Steer mode selector
- 2/4 wheel drive/range selector
- Transmission gear selector
- Hazard flasher

Panel mounted indicator/warning lights for:

- Transmission temperature
- Turn signals
- Rear wheel offset
- Emergency steer — optional

Armrest Controls — Two dual axis electronic joystick controllers or optional single axis electronic controllers for:

- Cab heater and A/C Controls
- Swing
- Boom hoist
- Main rear winch
- Auxiliary front winch — optional
- Drum rotation indication
- Drum rotation indicator activation switch
- Winch high/low speed and disable switch(es)
- Warning horn button
- Swing park brake
- Engine throttle lock
- Cab tilt

Outrigger Controls — Hand held control box with umbilical cord gives the operator the freedom to view operation while setting the outriggers.

Foot Controls

- Boom telescope
- Swing brake
- Engine throttle
- Service brake

Right Front Console — Controls and indicators for:

- | | |
|-------------------------------------|---|
| • Engine ignition | • 12 volt power connections |
| • Engine throttle lock | • E—stop switch |
| • Function lockout | • Ignition switch on indicator light |
| • Front windshield wiper and washer | • Boom floodlight's — optional |
| • Cab floodlights | • Rotating beacon/Strobe light — optional |
| • Warning horn | • Outrigger floodlight switch |
| • Console dimmer switch | • Gauge alarm |
| • Bubble level | • Cab bar light |
| • RCL alarm | |

Cab Instrumentation – Ergonomically positioned USB diagnostic center including digital instrumentation for crane operation:

- Tachometer
- Engine water temperature
- Fuel level
- Hydraulic oil temperature
- Stop engine
- Check engine
- Wait to start
- Diesel exhaust fluid (DEF) level⁽¹⁾
- Engine air filter high restriction light⁽¹⁾
- Regeneration light⁽¹⁾
- Regeneration inhibit switch⁽¹⁾
- Regeneration initiate switch⁽¹⁾
- High exhaust temperature light⁽¹⁾
- Regeneration disabled light⁽¹⁾
- Swing park brake light
- Engine speed
- Engine oil pressure
- Battery voltage
- Fuel rate (gal/hr)
- Engine load
- Engine Diagnostics

⁽¹⁾ (Tier 4f / Stage IV engine only)

Camera Display – Located on dash console

- Displays right side of upper
- Displays main and auxiliary winches
- Displays rear view

Diagnostic Center – Located on the left side of the front panel below the windshield

- Engine diagnostic
- RCL CANBUS diagnostic
- Boom CANBUS diagnostic
- Outrigger CANBUS diagnostic

Link-Belt Pulse – The Link-Belt in-house designed, total crane operating system that utilizes the display as a readout and operator interface for the following systems:

- **Rated capacity limiter** – LCD graphic audio – visual warning system integrated into the dash with anti – two block and function limiter. Operating data includes:
 - RCL controller USB diagnostic
 - Crane configuration
 - Boom length and angle
 - Boom head height
 - Allowed load and % of allowed load
 - RCL light bar
 - Boom angle
 - Radius of load
 - Actual load
 - Wind speed
 - Highlighted unit of measurement on working screen
 - Active pin/latch status
 - Telescope operation displayed in real time
 - Outrigger position sensing
 - Drum rotation direction indication
 - Third wrap indicator – optional
 - Diagnostics
 - Operator settable alarms (include):
 - Maximum and minimum boom angles
 - Maximum tip height
 - Maximum boom length
 - Swing left/right positions
 - Operator defined area (imaginary plane)
- **Extend control module (ECM)**
 - Controls the extend modes
 - Diagnostics

- **Internal RCL Light Bar** – Visually informs the operator when crane is approaching maximum load capacity with a series of green, yellow, and red lights.
- **Telematics** – Cellular based data logging and monitoring system that provides:
 - Location and operational settings
 - Routine maintenance
 - Crane and engine monitoring
 - Diagnostic and fault codes

Integrated Third Wrap Indicator – Optional – Link-Belt Pulse color display visually and audibly warns the operator when the wire rope is on the first/bottom layer and when the wire rope is down to the last three wraps.

Integrated Third Wrap Function Kickout – Optional – Link-Belt Pulse color display visually and audibly warns the operator when the wire rope is on the first/bottom layer and provides a function kickout when the wire rope is down to the last three wraps.

External RCL Light Bar – Optional – Visually informs the ground crew when crane is approaching maximum load capacity with a series of green, yellow, and red lights.

■ Swing

Motor/Planetary – Bi-directional hydraulic swing motor mounted to a planetary reducer for 360° continuous smooth swing at 1.9 rpm

Swing Park Brake – 360°, electric over hydraulic, (spring applied/hydraulic released) multi-disc brake mounted on the speed reducer. Operated by a switch from the operator's cab.

Swing Brake – 360°, foot operated, hydraulic applied disc brake mounted to the speed reducer.

Swing Lock – Two-position swing lock (boom over front or rear) operated from the operator's cab.

360° Positive Swing Lock – Optional – Meets New York City requirement

■ Electrical

Swing Alarm – Audio warning device signals when the upper is swinging.

Lights

- Two LED working lights on front of the cab
- One amber strobe beacon on top of the cab
- One rotating amber beacon on top of the cab – optional
- One LED working light on top of cab – optional
- LED Boom floodlight – Single – optional
- LED Boom floodlight – Dual – optional
- LED Boom floodlight – High intensity remote controlled – optional
- LED Frame worklights – right front, left rear, and work platform – optional

■ Load Hoist System

Load Hoist Performance

Main (Rear) and Auxiliary (Front) Winches — 3/4 in (19mm) Rope										
Layer	Maximum Line Pull		Normal Line Speed		High Line Speed		Layer		Total	
	lb	kN	ft/min	m/min	ft/min	m/min	ft	m	ft	m
1	20,739	92.25	168	51.2	334	101.8	114	34.7	114	34.7
2	19,066	84.81	183	55.8	363	110.6	124	37.8	238	72.5
3	17,644	78.48	198	60.4	393	119.8	134	40.8	372	113.4
4	16,419	73.04	213	64.9	422	128.6	144	43.9	516	157.3
5	15,353	68.29	227	69.2	451	137.5	154	46.9	670	204.2
6	---	---	---	---	---	---	164	50.0	834	254.2

Wire Rope Application		Diameter		Type	Maximum Permissible Load	
		in	mm		lb	kg
Main (Rear) Winch	Standard	3/4	19	37x7 rotation resistant — right lang lay (Type KC)	15,353	6 964
	Optional	3/4	19	35x7 rotation resistant — right lang lay (Type CC)	17,160	7 783.6
Auxiliary (Front) Winch	Standard	3/4	19	37x7 rotation resistant — right lang lay (Type KC)	15,353	6 964
	Optional	3/4	19	35x7 rotation resistant — right lang lay (Type CC)	17,160	7 783.6

■ Main and Optional Auxiliary Winches

- Axial piston, full and half displacement (2-speed) motors driven through planetary reduction unit for positive control under all load conditions.
- Grooved lagging
- Power up/down mode of operation
- Hoist drum cable follower — optional
- Drum rotation indicator
- Drum diameter: 16 in (40.6cm)
- Rope length:
 - Main: 730 ft (222.5m)
 - Auxiliary: 600 ft (182.88m) or 730 ft (222.5m)
- Maximum rope storage: 834 ft (254.2m)
- Terminator style socket and wedge

■ Hydraulic System

Counterbalance Valves — All hoist motors, boom extend cylinders, and boom hoist cylinders are equipped with counterbalance valves to provide load lowering and prevents accidental load drop when hydraulic power is suddenly reduced.

■ Counterweight

Standard — Total of 19,200 lb (8.8t) counterweight consisting of two counterweights pinned to the upper with capacities for:

- 0 lb (0t) counterweight*
- 9,600 lb (4.4t) counterweight
- 19,200 lb (8.8t) counterweight

Hydraulic counterweight removal activated by a hand-held controller with enough cable to access the pins on each side of the counterweights.

Optional — 9,600 lb (4.4t) in addition to standard counterweight for a total of 28,800 lb (13.2t) counterweight with capacities for:

- 0 lb (0t) counterweight*
- 9,600 lb (4.4t) counterweight
- 19,200 lb (8.8t) counterweight
- 28,800 lb (13.2t) counterweight*

* Travel speed limited to 5 mph.

Carrier

General

- 10 ft 11 in (3.33m) wide
- 14 ft 4 in (4.37m) wheelbase (centerline of first axle to centerline of second axle)

Frame — Box—type, torsion resistant, welded construction made of high tensile steel. Equipped with front and rear towing and tie—down lugs, tow connections, and access ladders.

Outriggers

Boxes — Two double box, front and rear welded to carrier frame

Beams and Jacks — Four single stage beams with Confined Area Lifting Capacities (CALC™) provide selectable outrigger extensions of full, intermediate, and retracted. Hydraulically controlled from the operator's cab with integral check valves.

Pontoons — Four lightweight, serviceable, quick release, 24 in diameter (60.96cm²), steel pontoons with contact area of 452 in² (2 918cm²) can be stored for road travel in storage racks on the carrier.

Main Jack Reaction — 112,600 lb (51 074kg) force and 249 psi (1 716kPa) ground bearing pressure.

Steering and Axles

Steering — Four independent modes consisting of two wheel front, two wheel rear, four wheel, and crab. Each mode is controlled from the steering wheel and is selected by a switch in the operator's cab.

Drive — Two modes: 4 x 2 and 4 x 4 for off highway travel

Axle 1 — Steered, non—driven for 4 x 2 and steered, driven for 4 x 4

Axle 2 — Steered, driven

Suspension

Front — Rigid mount to the carrier frame

Rear — The rear axle is suspended on the oscillation cylinders with motion of the axle controlled by a four bar greaseless linkage system. The oscillation cylinders lockout when the upper structure rotates 2.5° past centerline.

- Hydro—gas rear suspension — optional

Ride Height Adjustment — Suspension can be lowered for transport using a hand—held controller from level ground.

Tires and Wheels

Front and Rear — Four (single) 29.5 x 25—34 ply rating, earthmover type tires on steel disc wheels

- Spare tires and wheels — optional

Brakes

Service — Full hydraulic, dual circuit, disc type brakes on all wheel ends

Parking/Emergency — Spring applied type, acting on front axle

Electrical

Two batteries provide 12 volt starting and operation

Lights (LED)

- LED Front lighting includes two main headlights and two parking/directional indicators.
- LED Side lighting includes two parking/directional indicators per side.
- LED Rear lighting includes two parking/directional indicators, two parking/brake lights, and two reversing lights.
- LED outrigger lights.
- Other equipment includes hazard/warning system, cab light, instrument panel light, and signal horn.

Engine

Specification	Cummins QSB	
	Tier 4f/Stage IV ⁽¹⁾	Tier 3/Stage IIIA ⁽²⁾
Emissions Compliance Level:	Tier 4f/Stage IV ⁽¹⁾	Tier 3/Stage IIIA ⁽²⁾
Numbers of Cylinders	6	6
Cycle	4	4
Bore and Stroke: inch (mm)	4.21 x 4.88 (107 x 124)	4.21 x 4.88 (107 x 124)
Piston Displacement: in ³ (L)	408 (6.7)	408 (6.7)
Max. Brake Horsepower: hp (kW)	270 (201) @ 2,000 rpm	270 (201) @ 2,000 rpm
	260 (194) @ 2,200 rpm	260 (194) @ 2,200 rpm
Peak Torque: ft lb (Nm)	730 (990) @ 1,500 rpm	730 (990) @ 1,500 rpm
Electric/starting systems: volts	12/12	12/12
Alternator: amps	190	190
Crankcase Capacity: qt (L)	15 (14.2)	15 (14.2)
<ul style="list-style-type: none"> • Water/fuel separator w/ heater and water in fuel (WIF) sensor • 120—volt block heater — Tier 4f / Stage IV • 220—volt block heater — Tier 3 / Stage IIIA • Grid heater — 200 amp • Mechanically driven, variable speed, engine controlled, viscous fan clutch • ⁽¹⁾ Can only be sold and/or operated where Tier 4f and Stage IV off—highway emission standards are accepted. • ⁽²⁾ Can only be sold and/or operated where Tier 3 and Stage IIIA off—highway emission standards are accepted. 		

Transmission

Powershift — Three speed with high/low range for 6 forward and 6 reverse gears. Front axle disconnect for two or four wheel drive. Front axle disconnects in high range.

■ Fuel Tank

One 75 gallon (283.9L) capacity tank

Diesel Exhaust Fluid (DEF) tank

- One 5 gal (18.9L) capacity tank

■ Hydraulic System

All functions are hydraulically powered allowing positive precise control with independent or simultaneous operation of all functions.

Main Pumps

- One two section fixed displacement gear pump for the front/rear winches and boom hoist/telescope circuits.
- One two section fixed displacement gear pump for the swing/steering and outrigger/telescope/service brake/oscillation circuits.
- One two section gear pump for an additional supply to the front/rear winch circuit and the hydraulic oil cooler fan drive.
- Combined pump capacity of 138 gpm (522.4Lpm)

Hydraulic Reservoir – 153 gal (579.2L) capacity equipped with sight level gauge. Diffusers built in for deaeration.

Filtration – One 10 micron, full flow return line filter. Accessible for easy filter replacement.

Hydraulic Oil Coolers – One carrier mounted cooler removes heat from the hydraulic oil. Remote mounted on right side of the carrier.

■ Pump Drive

One pump is mounted on the engine with the rest being transmission mounted. All pumps are mechanically driven by the diesel engine.

- Front/rear winches and boom hoist/telescope pump can be disconnected with a manual pump disconnect to aid in cold weather starting.

■ Maximum Speed

18.5 mph (29.8 km/h)

■ Gradeability

Counterweight	Ascending		Descending		Side	
	Degrees	% Grade	Degrees	% Grade	Degrees	% Grade
0	17.0	31%	4.0	7%	3.0	5%
9,600 (4.4t)	16.0	29%	15.0	27%		
19,200 lbs (8.8t)	14.5	26%	14.5	26%		
28,800 lbs (13.2t)	13.0	23%	13.0	23%		

■ Paint

Entire machine is pre-painted and oven baked with Highsolid Paint (2 part epoxy/polyester) and/or (2 part epoxy primer/2 part polyurethane top coat). Standard Link-Belt Red, Link-Belt Gray, and Gloss Black colors apply.

■ Additional Equipment Options

- Spark arrestor
- Engine air intake shutoff valve

Axle Loads

Base crane with zero counterweight and full tank of fuel	Gross Vehicle Weight ⁽¹⁾		Upper Facing Front				Upper Facing Rear			
			Front Axles		Rear Axles		Front Axles		Rear Axles	
	lb	kg	lb	kg	lb	kg	lb	kg	lb	kg
Tier 4f / Stage IV	87,534	39 705	57,902	26 264	29,632	13 441	23,132	10 493	64,402	29 212
Tier 3 / Stage IIIA	86,902	39,418	57,708	26 176	29,194	13 242	22,938	10 405	63,964	29 014
Pintle hook, front	14	6	19	9	-5	-2	19	9	-5	-2
Pintle hook, rear	14	6	-6	-3	20	9	-6	-3	20	9
Hydro-gas suspension	56	25	21	10	35	16	21	10	35	5
Operator in cab	250	113	140	64	110	50	110	50	140	64
Hoist drum follower – main	69	31	-24	-11	93	42	93	42	-24	-11
Auxiliary winch with 600 ft (182.9m) wire rope	738	335	-90	-41	828	376	828	376	-90	-41
Hoist drum follower – auxiliary	69	31	-6	3	75	34	75	34	-6	3
Substitute 600 ft (182.9m) wire rope with 730 ft (222.5m) – auxiliary	158	72	-5	-2	163	74	163	74	-5	-2
Remove 730 ft (222.5m) wire rope from rear (main) winch	-902	-409	197	89	-1,098	-498	-1,098	-498	197	89
Remove 600 ft (182.9m) wire rope from front (auxiliary) winch	-744	-337	24	11	-768	-348	-768	-348	24	11
One slab of counterweight on upper	9,600	4 355	-3,356	-1 522	12,956	5 877	12,956	5 877	-3,356	-1 522
Two slabs of counterweight on upper	19,200	8 709	-6,712	-3 045	25,912	11 754	25,912	11 754	-6,712	-3 045
Three slabs of counterweight on upper	28,800	13 064	-10,068	-4 567	38,868	17 630	38,868	17 630	-10,068	-4 567
Emergency steering	251	114	49	22	202	92	202	92	49	22
360° mechanical swing lock	140	64	72	33	68	31	68	31	72	33
Floodlight to front of boom base section	26	12	36	16	-10	-5	-10	-5	36	16
Fly mounting brackets to boom base section for fly options	232	105	282	128	-50	-23	-50	-23	282	128
35 ft (10.67m) offsettable fly – stowed	1,595	723	2,618	1 188	-1,023	-464	-1,023	-464	2,618	1 188
35–58 ft (10.67–17.68m) offsettable fly – stowed	2,296	1 041	3,323	1 507	-1,027	-466	-1,027	-466	3,323	1 507
10 ft offsettable fly	1,062	482	2,541	1 153	-1,479	671	-1,479	671	2,541	1 153
10–35 ft offsettable fly	2,044	927	3,577	1 623	-1,533	-695	-1,533	-695	3,577	1 623
10–35–58 ft (3.0–10.67–17.68m) offsettable fly	2,745	1 245	4,283	1 943	-1,538	-698	-1,538	-698	4,283	1 943
Auxiliary lifting sheave	110	50	307	139	-197	-89	-197	-89	307	139
110 ton (81.6mt) 6–sheave hook block at bumper	1,985	900	3,012	1 366	-1,027	-466	-1,027	-466	3,012	1 366
80 ton (72.5mt) 5–sheave hook block at bumper	1,406	638	2,134	968	-728	-330	-728	-330	2,134	968
60 ton (54.4mt) 3–sheave hook block at bumper w/o weights	805	365	1,222	554	-417	-189	-417	-189	1,222	554
60 ton (54.4mt) 3–sheave hook block at bumper w/ 3 sets of weights	1,345	610	2,041	926	-696	-316	-696	-316	2,041	926
25 ton (54.4mt) 1–sheave hook block at bumper	750	340	1,138	516	-388	-176	-388	-176	1,138	516
10 ton (9.1mt) hook ball at bumper	580	263	880	399	-300	-136	-300	-136	880	399
110 ton (81.6mt) 6–sheave hook block at boom head	1,985	900	5,326	2 416	-3,341	-1 515	-3,341	-1 515	5,326	2 416
80 ton (72.5mt) 5–sheave hook block at boom head	1,406	638	3,773	1 711	-2,367	1 074	-2,367	1 074	3,773	1 711
60 ton (54.4mt) 3–sheave hook block at boom head	805	365	2,160	980	-1,355	615	-1,355	615	2,160	980
25 ton (54.4mt) 1–sheave hook block at boom head	750	340	2,012	913	-1,262	572	-1,262	572	2,012	913
10 ton (9.1mt) hook ball at boom head	580	263	1,556	706	-976	443	-976	443	1,556	706

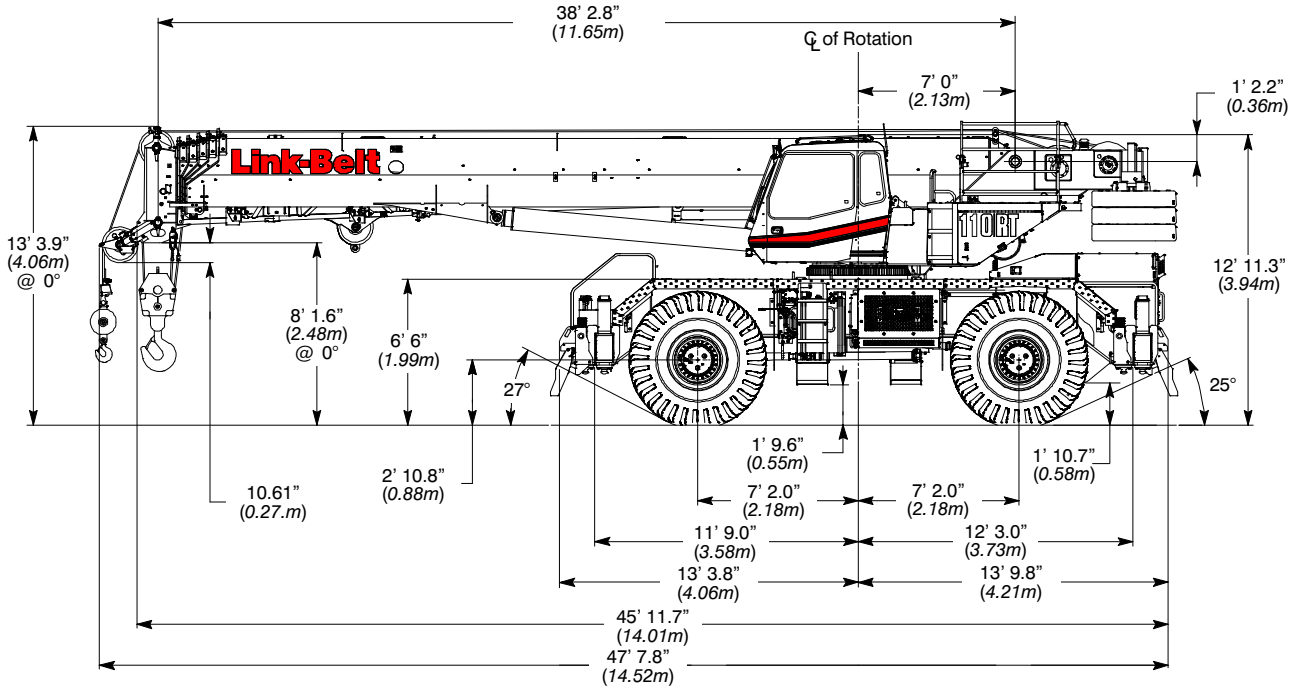
Tire	Maximum Allowable Axle Load @ 20 mph (32.2km/h)
29.5 x 25 (34–PR)	66,200 lb (30 028kg)

(1) Adjust gross vehicle weight and axle loading according to component weight.

Note: All weights are ±3%.

General Dimensions

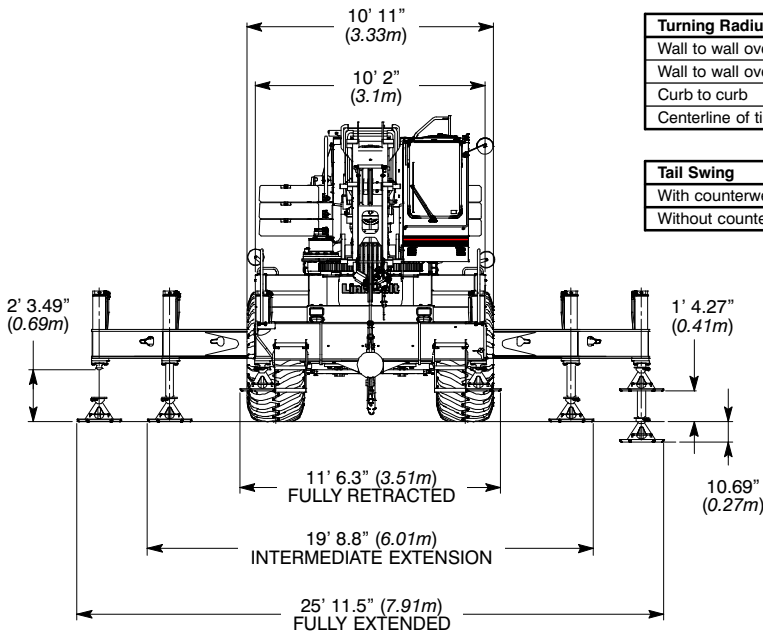
Tier 4f / Stage IV



Turning Radius – Front Wheel (4x2) Steering		
	English	Metric
Wall to wall over carrier	51' 2"	15.60m
Wall to wall over boom attachment	59' 0"	17.98m
Curb to curb	49' 8"	15.14m
Centerline of tire	45' 5"	14.76m

Turning Radius – All Wheel (4x4) Steering		
	English	Metric
Wall to wall over carrier	27' 9"	8.46m
Wall to wall over boom attachment	39' 2"	11.94m
Curb to curb	25' 11"	7.90m
Centerline of tire	24' 8"	7.52m

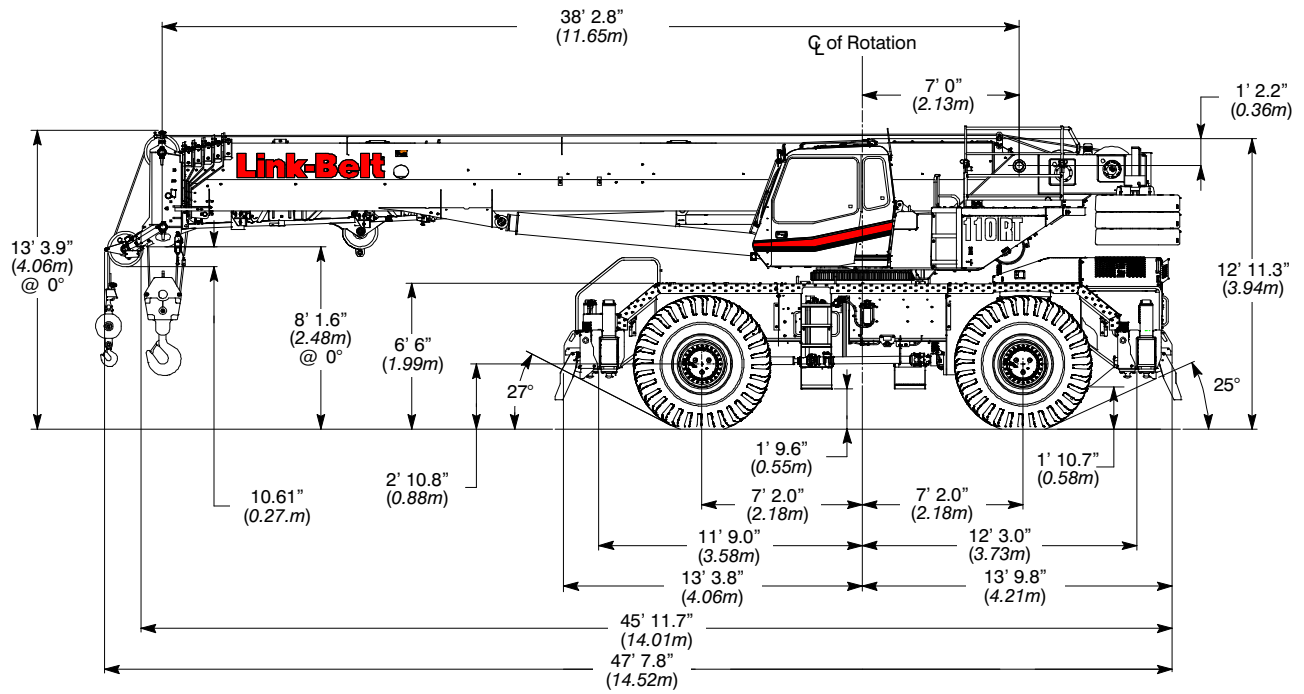
Tail Swing		
	English	Metric
With counterweight	14' 2"	4.32m
Without counterweight	13' 0"	4.0m



Not To Scale

General Dimensions

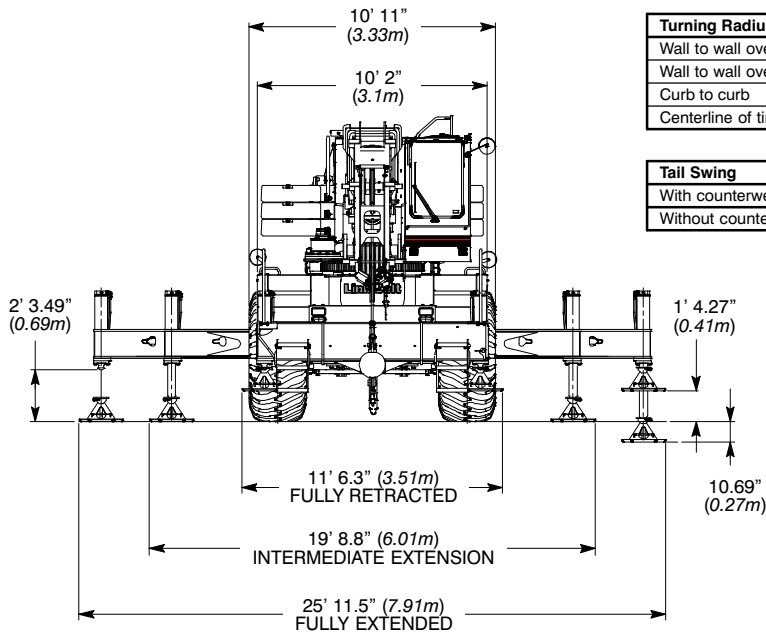
Tier 3 / Stage IIIA



Turning Radius – Front Wheel (4x2) Steering	English	Metric
Wall to wall over carrier	51' 2"	15.60m
Wall to wall over boom attachment	59' 0"	17.98m
Curb to curb	49' 8"	15.14m
Centerline of tire	45' 5"	14.76m

Turning Radius – All Wheel (4x4) Steering	English	Metric
Wall to wall over carrier	27' 9"	8.46m
Wall to wall over boom attachment	39' 2"	11.94m
Curb to curb	25' 11"	7.90m
Centerline of tire	24' 8"	7.52m

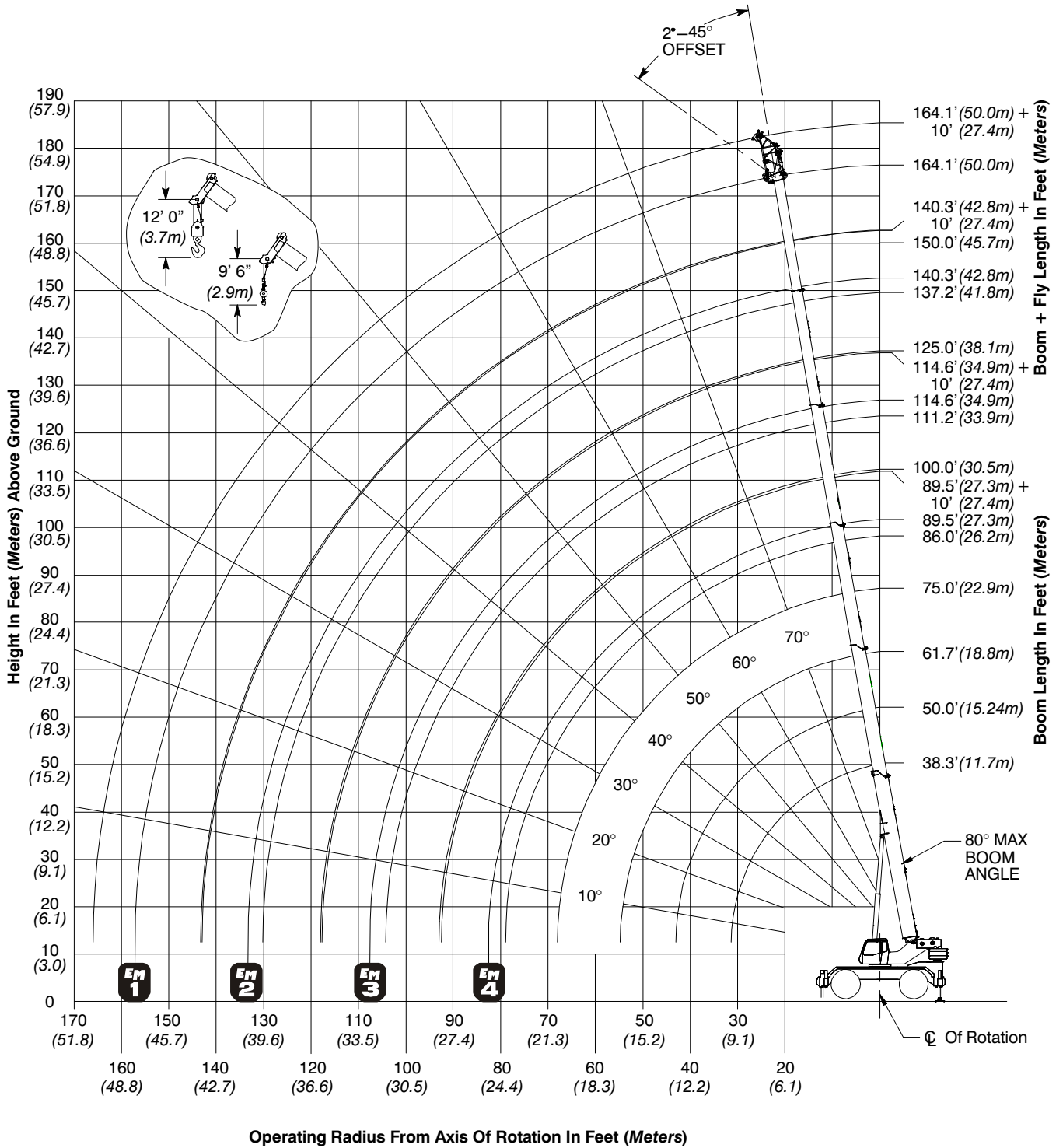
Tail Swing	English	Metric
With counterweight	14' 2"	4.32m
Without counterweight	13' 0"	4.0m



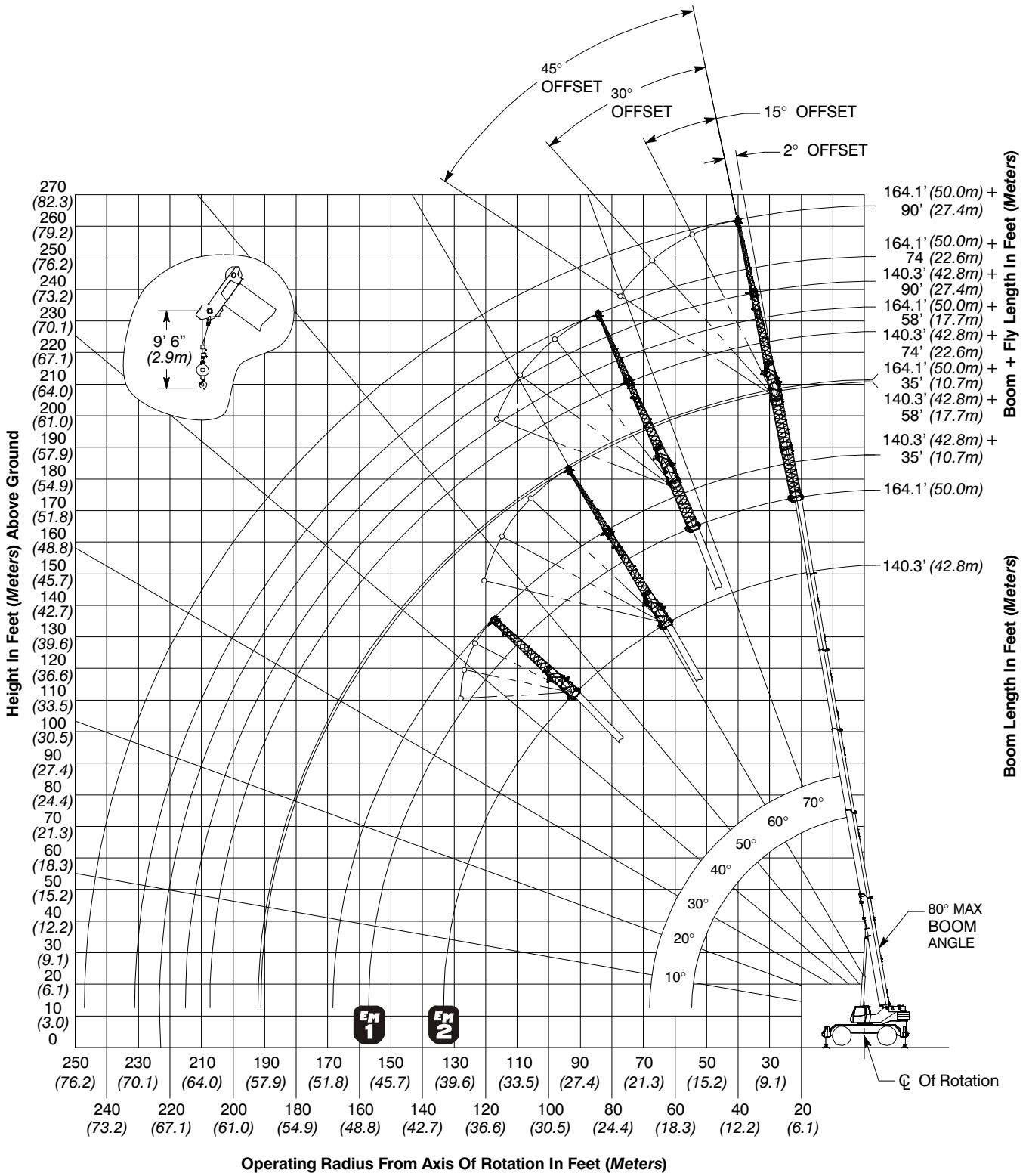
Not To Scale

Working Range Diagram

164.1' Main Boom + 10' Fly

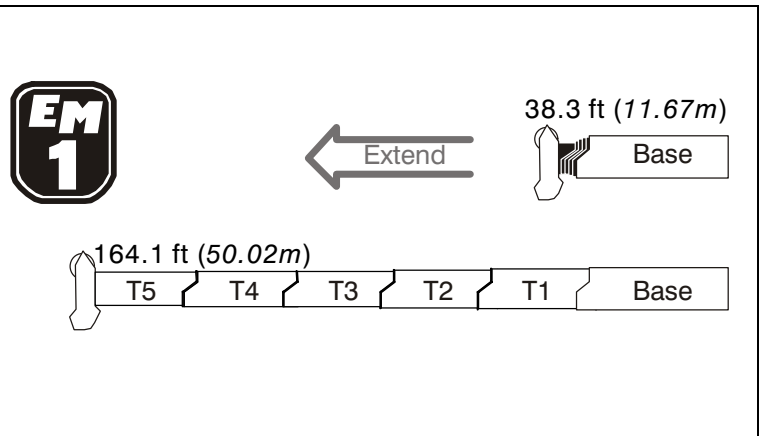


Working Range Diagram Main Boom + Fly

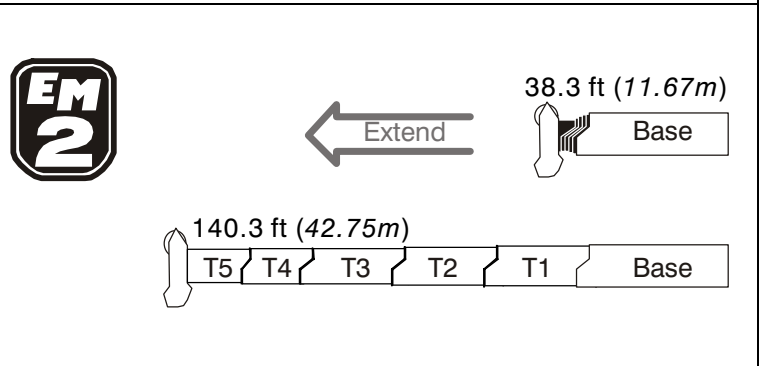


Boom Extend Modes

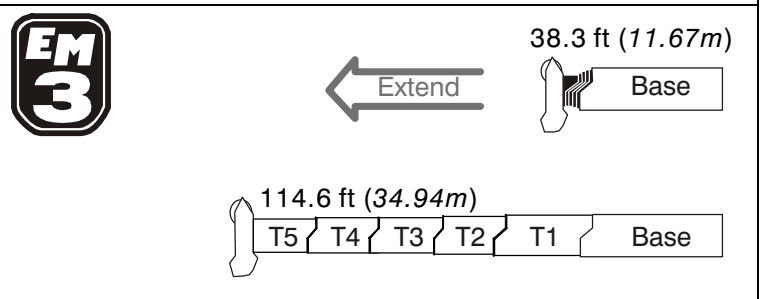
Boom Length		Telescope Length				
ft	m	T5	T4	T3	T2	T1
38.3	11.67					
50	15.24	50%				
61.7	18.80	100%				
75	22.86	100%	55%			
86	26.21	100%	100%			
100	30.48	100%	100%	56%		
111.2	33.88	100%	100%	100%		
125	38.10	100%	100%	100%	53%	
137.2	41.82	100%	100%	100%	100%	
150	45.72	100%	100%	100%	100%	48%
164.1	50.02	100%	100%	100%	100%	100%



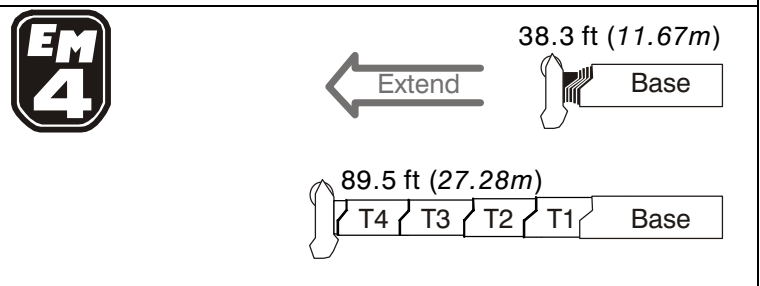
Boom Length		Telescope Length				
ft	m	T5	T4	T3	T2	T1
38.3	11.67					
50	15.24	50%				
62.1	18.94	50%	50%			
75	22.86	50%	50%	51%		
87.3	26.62	50%	50%	100%		
100	30.48	50%	50%	100%	49%	
113.4	34.55	50%	50%	100%	100%	
125	38.10	50%	50%	100%	100%	43%
140.3	42.75	50%	50%	100%	100%	100%



Boom Length		Telescope Length				
ft	m	T5	T4	T3	T2	T1
38.3	11.67					
50	15.23	50%				
62.1	18.94	50%	50%			
74.7	22.78	50%	50%	50%		
87.8	26.75	50%	50%	50%	50%	
100	30.48	50%	50%	50%	50%	46%
114.6	34.94	50%	50%	50%	50%	100%



Boom Length		Telescope Length				
ft	m	T5	T4	T3	T2	T1
38.3	11.67					
50.5	15.38	0%	50%			
63	19.21	0%	50%	50%		
76.1	23.18	0%	50%	50%	50%	
89.5	27.28	0%	50%	50%	50%	50%



Main Boom Lift Capacity Charts – Imperial

19,200 lb Counterweight – Fully Extended Outriggers – 360° Rotation (All Capacities Are Listed In Pounds)												
Radius (ft)	Boom Length (ft)											Radius (ft)
	38.3	50.0–50.5	61.7–63.0	74.7–76.1	86.0–89.5	100	111.2–114.6	125	137.2–140.3	150	164.1	
7	220,000*											7
8	200,000*											8
10	161,100	160,500	137,600									10
12	144,100	145,700	137,600	120,400								12
15	118,700	121,500	122,200	120,400	91,800							15
20	86,600	89,400	90,300	90,100	89,100	66,100	50,600					20
25	66,800	69,700	70,600	70,500	70,900	66,100	50,600	38,900	25,500			25
30	53,300	56,300	57,300	58,800	58,500	57,700	50,600	38,900	31,000	22,600		30
35		45,500	47,300	47,700	47,300	46,200	45,200	38,900	31,000	22,600	19,700	35
40		35,400	37,200	37,600	37,100	37,400	36,400	36,300	31,000	22,600	19,700	40
45			30,200	30,600	30,900	30,500	30,100	29,400	28,600	22,600	19,700	45
50			25,000	25,400	25,700	25,300	25,000	26,000	25,500	22,600	19,700	50
55			20,900	22,600	21,700	21,900	22,400	22,600	22,200	21,500	19,700	55
60				19,300	18,600	19,900	19,900	19,400	19,000	18,300	17,700	60
65				16,700	17,000	17,300	17,300	16,800	16,500	15,800	15,300	65
70					15,200	15,300	15,300	14,800	14,500	13,800	13,200	70
75					13,400	13,500	13,500	13,000	12,700	12,000	11,400	75
80					10,600	11,900	11,900	11,500	11,200	10,500	9,900	80
85						10,600	10,600	10,200	9,900	9,200	8,600	85
90						9,400	9,500	9,000	8,700	8,100	7,500	90
95							8,400	8,000	7,700	7,100	6,500	95
100							7,500	7,100	6,800	6,200	5,600	100
105							4,900	6,300	6,100	5,400	4,900	105
110								5,600	5,300	4,700	4,200	110
115								5,000	4,700	4,100	3,500	115
120									4,100	3,500	2,900	120
125									3,600	3,000	2,400	125
130									3,100	2,500	2,000	130
135										2,000	1,500	135
140										1,600	1,100	140

* Over Front Only

* ASME B30.5 or Special Equipment

This information is not for crane operation. Operator must refer to the in-cab information for crane operation. Rated lifting capacities shown on fully extended outriggers do not exceed 85% of the tipping loads and on tires do not exceed 75% of the tipping loads.

28,800 lb Counterweight – Fully Extended Outriggers – 360° Rotation (All Capacities Are Listed In Pounds)												
Radius (ft)	Boom Length (ft)											Radius (ft)
	38.3	50.0–50.5	61.7–63.0	74.7–76.1	86.0–89.5	100	111.2–114.6	125	137.2–140.3	150	164.1	
7	220,000*											7
8	200,000*											8
10	162,800	160,500	137,600									10
12	145,700	147,100	137,600	120,400								12
15	125,400	127,200	124,800	120,400	91,800							15
20	91,800	94,600	95,500	95,200	91,800	66,100	50,600					20
25	71,000	73,800	74,800	74,700	73,800	66,100	50,600	38,900	25,500			25
30	56,800	59,800	60,800	61,900	62,000	61,100	50,600	38,900	31,000	22,600		30
35		49,600	51,700	52,100	51,800	51,000	46,300	38,900	31,000	22,600	19,700	35
40		42,500	44,000	44,500	44,200	43,300	41,800	38,200	31,000	22,600	19,700	40
45			36,300	36,700	36,200	35,700	34,300	35,200	31,000	22,600	19,700	45
50			30,300	30,700	30,300	30,600	30,200	29,500	28,800	22,600	19,700	50
55			25,600	26,100	26,400	26,000	25,700	25,000	24,600	22,600	19,700	55
60				22,500	22,700	22,400	22,000	22,600	22,900	22,500	19,700	60
65				20,300	19,800	19,400	19,400	20,600	20,200	19,500	18,900	65
70					17,300	18,000	18,100	18,100	17,800	17,100	16,500	70
75					15,300	16,600	16,600	16,100	15,700	15,200	14,600	75
80					13,500	14,900	14,900	14,400	14,100	13,500	12,900	80
85						13,300	13,400	12,900	12,600	12,000	11,400	85
90						12,000	12,000	11,600	11,300	10,700	10,100	90
95							10,800	10,400	10,100	9,500	8,900	95
100							9,800	9,400	9,100	8,500	7,900	100
105							7,100	8,500	8,200	7,600	7,000	105
110								7,600	7,400	6,800	6,200	110
115								6,900	6,600	6,000	5,500	115
120									5,900	5,400	4,800	120
125									5,300	4,700	4,200	125
130									4,800	4,200	3,600	130
135										3,700	3,100	135
140										3,200	2,700	140
145											2,200	145
150											1,800	150
155											1,500	155

* Over Front Only

* ASME B30.5 or Special Equipment

This information is not for crane operation. Operator must refer to the in-cab information for crane operation. Rated lifting capacities shown on fully extended outriggers do not exceed 85% of the tipping loads and on tires do not exceed 75% of the tipping loads.

Fly Attachment Lift Capacity Charts – Optional

19,200 lb Counterweight – Fully Extended Outriggers – 360° Rotation (All Capacities Are Listed In Pounds)												
Main Boom + 10 ft Manual Offset Fly (2°, 15°, 30° & 45° Offsets)												
Radius (ft)	Boom Length (ft)											Radius (ft)
	38.3	50.0– 50.5	61.7– 63.0	74.7– 76.1	86.0– 89.5	100	111.2– 114.6	125	137.2– 140.3	150	164.1	
10	41,400	42,700	47,700									10
12	35,900	36,700	42,500	47,600								12
15	35,100	35,900	36,400	42,000	42,200							15
20	34,000	34,800	35,400	35,800	36,100	40,600	39,700					20
25	33,500	34,000	34,600	35,100	35,400	35,500	39,400	30,500	20,600			25
30	33,500	33,500	34,000	34,400	34,800	35,000	35,200	30,500	25,600	18,600		30
35	33,500	33,400	33,600	34,000	34,400	34,400	34,600	30,500	25,600	18,600	16,000	35
40	33,500	33,400	33,500	33,700	34,000	33,900	34,400	30,500	25,600	18,600	16,000	40
45		29,600	29,900	29,300	30,400	30,500	30,000	29,200	25,600	18,600	16,000	45
50		24,500	25,800	25,800	25,800	25,300	24,800	24,100	23,200	18,600	16,000	50
55			21,900	21,800	21,800	21,300	20,900	20,500	20,600	18,600	16,000	55
60			18,700	18,700	18,700	18,200	18,300	19,100	18,700	17,900	16,000	60
65			16,100	16,200	16,100	16,400	17,100	16,500	16,100	15,500	14,900	65
70				15,000	14,100	15,100	15,000	14,500	14,100	13,400	12,800	70
75				13,200	13,200	13,300	13,200	12,700	12,400	11,700	11,000	75
80					12,000	11,800	11,700	11,200	10,800	10,200	9,500	80
85					10,700	10,500	10,400	9,900	9,500	8,900	8,200	85
90					8,400	9,400	9,300	8,800	8,400	7,700	7,100	90
95						8,400	8,300	7,800	7,400	6,700	6,100	95
100						7,500	7,400	6,900	6,500	5,900	5,200	100
105							6,600	6,100	5,700	5,100	4,500	105
110							5,900	5,400	5,000	4,400	3,800	110
115							3,600	4,700	4,400	3,700	3,100	115
120								4,200	3,800	3,200	2,600	120
125								3,700	3,300	2,600	2,000	125
130									2,800	2,200	1,600	130
135									2,400	1,700	1,100	135
140									2,000	1,300		140
145										1,000		145

This information is not for crane operation. Operator must refer to the in-cab information for crane operation. Rated lifting capacities shown on fully extended outriggers do not exceed 85% of the tipping loads and on tires do not exceed 75% of the tipping loads.

28,800 lb Counterweight – Fully Extended Outriggers – 360° Rotation (All Capacities Are Listed In Pounds)												
Main Boom + 10 ft Manual Offset Fly (2°, 15°, 30° & 45° Offsets)												
Radius (ft)	Boom Length (ft)										Radius (ft)	
	38.3	50.0–50.5	61.7–63.0	74.7–76.1	86.0–89.5	100	111.2–114.6	125	137.2–140.3	150		164.1
10	41,400	42,700	47,700									10
12	35,900	36,700	42,500	47,600								12
15	35,100	35,900	36,400	42,000	42,200							15
20	34,000	34,800	35,400	35,800	36,100	40,600	39,700					20
25	33,500	34,000	34,600	35,100	35,400	35,500	39,400	30,500	20,600			25
30	33,500	33,500	34,000	34,400	34,800	35,000	35,200	30,500	25,600	18,600		30
35	33,500	33,400	33,600	34,000	34,400	34,400	34,600	30,500	25,600	18,600	16,000	35
40	33,500	33,400	33,500	33,700	34,000	33,900	34,400	30,500	25,600	18,600	16,000	40
45		33,400	33,500	33,500	33,800	32,200	33,200	30,500	25,600	18,600	16,000	45
50		29,800	30,000	29,500	29,500	29,500	28,500	29,300	25,600	18,600	16,000	50
55			25,400	26,500	25,900	26,000	25,500	24,800	24,000	18,600	16,000	55
60			22,900	22,900	22,900	22,300	21,900	21,200	20,400	18,600	16,000	60
65			19,000	19,900	19,900	19,400	19,000	18,300	18,900	18,600	16,000	65
70				17,500	17,500	17,000	16,600	17,300	17,400	16,700	16,000	70
75				15,500	15,500	15,000	15,400	15,800	15,500	14,800	14,200	75
80					13,800	13,800	14,600	14,100	13,800	13,100	12,500	80
85					12,300	13,100	13,100	12,600	12,300	11,600	11,000	85
90					11,000	11,900	11,800	11,300	11,000	10,300	9,700	90
95						10,800	10,700	10,200	9,800	9,100	8,500	95
100						9,800	9,600	9,100	8,800	8,100	7,500	100
105							8,700	8,200	7,900	7,200	6,600	105
110							7,900	7,400	7,100	6,400	5,800	110
115							4,700	6,700	6,300	5,700	5,100	115
120								6,000	5,700	5,000	4,400	120
125								5,400	5,100	4,400	3,800	125
130									4,500	3,900	3,300	130
135									4,000	3,400	2,800	135
140									3,600	2,900	2,300	140
145										2,500	1,900	145
150										2,100	1,500	150
155											1,100	155

This information is not for crane operation. Operator must refer to the in-cab information for crane operation. Rated lifting capacities shown on fully extended outriggers do not exceed 85% of the tipping loads and on tires do not exceed 75% of the tipping loads.

19,200 lb Counterweight – Fully Extended Outriggers – 360° Rotation
(All Capacities Are Listed In Pounds)

164.1 ft Main Boom Length

Radius (ft)	35 ft Manual Offset Fly				58 ft Manual Offset Fly				Radius (ft)
	2°	15°	30°	45°	2°	15°	30°	45°	
40	11,000								40
45	11,000								45
50	11,000				7,500				50
55	11,000	11,500			7,500				55
60	11,000	11,500			7,500				60
65	11,000	11,500	11,300		7,500	7,900			65
70	11,000	11,500	11,100	9,800	7,500	7,900			70
75	11,000	11,500	10,900	9,700	7,500	7,800			75
80	10,200	11,000	10,700	9,600	7,500	7,600	6,300		80
85	8,900	9,600	10,400	9,500	7,500	7,400	6,200		85
90	7,700	8,400	9,100	9,400	7,500	7,200	6,000	5,200	90
95	6,700	7,400	8,000	8,500	7,300	7,100	5,900	5,100	95
100	5,800	6,400	7,000	7,500	6,400	6,900	5,800	5,100	100
105	5,000	5,600	6,100	6,500	5,500	6,400	5,700	5,000	105
110	4,300	4,800	5,300	5,700	4,800	5,700	5,600	4,900	110
115	3,700	4,200	4,600	4,900	4,200	4,900	5,500	4,900	115
120	3,100	3,500	3,900	4,200	3,600	4,300	5,000	4,800	120
125	2,600	3,000	3,300	3,600	3,000	3,700	4,400	4,800	125
130	2,100	2,500	2,800	3,000	2,500	3,200	3,800	4,300	130
135	1,600	2,000	2,300	2,500	2,100	2,700	3,300	3,700	135
140	1,200	1,500	1,800	2,000	1,700	2,200	2,800	3,200	140
145		1,100	1,400	1,500	1,300	1,800	2,300	2,600	145
150			1,000	1,100	900	1,400	1,900	2,200	150
155						1,000	1,500	1,700	155
160							1,100	1,300	160
165								900	165

This information is not for crane operation. Operator must refer to the in-cab information for crane operation. Rated lifting capacities shown on fully extended outriggers do not exceed 85% of the tipping loads and on tires do not exceed 75% of the tipping loads.

28,800 lb Counterweight – Fully Extended Outriggers – 360° Rotation
 (All Capacities Are Listed In Pounds)

164.1 ft Main Boom Length

Radius (ft)	35 ft Manual Offset Fly				58 ft Manual Offset Fly				Radius (ft)
	2°	15°	30°	45°	2°	15°	30°	45°	
40	11,000								40
45	11,000								45
50	11,000				7,500				50
55	11,000	11,500			7,500				55
60	11,000	11,500			7,500				60
65	11,000	11,500	11,300		7,500	7,900			65
70	11,000	11,500	11,100	9,800	7,500	7,900			70
75	11,000	11,500	10,900	9,700	7,500	7,800			75
80	11,000	11,500	10,700	9,600	7,500	7,600	6,300		80
85	11,000	11,500	10,500	9,500	7,500	7,400	6,200		85
90	10,300	11,000	10,400	9,400	7,500	7,200	6,000	5,200	90
95	9,100	9,800	10,200	9,300	7,500	7,100	5,900	5,100	95
100	8,100	8,700	9,300	9,200	7,500	6,900	5,800	5,100	100
105	7,200	7,700	8,300	8,700	7,500	6,700	5,700	5,000	105
110	6,400	6,900	7,400	7,700	6,900	6,600	5,600	4,900	110
115	5,600	6,100	6,500	6,900	6,100	6,400	5,500	4,900	115
120	4,900	5,400	5,800	6,100	5,400	6,100	5,400	4,800	120
125	4,300	4,700	5,100	5,400	4,800	5,500	5,300	4,800	125
130	3,800	4,100	4,500	4,700	4,200	4,900	5,200	4,700	130
135	3,300	3,600	3,900	4,100	3,700	4,300	4,900	4,700	135
140	2,800	3,100	3,400	3,500	3,200	3,800	4,300	4,700	140
145	2,300	2,600	2,900	3,000	2,800	3,300	3,800	4,100	145
150	1,900	2,200	2,400	2,500	2,400	2,900	3,300	3,600	150
155	1,600	1,800	2,000	2,100	2,000	2,400	2,900	3,100	155
160	1,200	1,400	1,600		1,600	2,100	2,400	2,700	160
165	900	1,100	1,200		1,300	1,700	2,000	2,200	165
170			900		1,000	1,400	1,700	1,800	170
175						1,000	1,300	1,400	175
180							1,000	1,000	180

This information is not for crane operation. Operator must refer to the in-cab information for crane operation. Rated lifting capacities shown on fully extended outriggers do not exceed 85% of the tipping loads and on tires do not exceed 75% of the tipping loads.

Main Boom Lift Capacity Charts – On Tires

19,200 lb Counterweight – On Tires – Stationary – Boom Centered Over Front Between Tire Tracks (All Capacities Are Listed In Pounds)								
Radius (ft)	Boom Length (ft)						Radius (ft)	
	38.3	50.0	61.7	75.0	86.0	100.0		111.2
12	69,700							12
15	59,100	61,900						15
20	46,500	49,400	42,100					20
25	33,700	37,500	36,800	36,800				25
30	23,600	27,200	29,300	30,200	30,700			30
35		20,600	22,600	23,500	24,000	24,000		35
40		15,900	17,900	18,900	19,300	19,300	19,300	40
45			14,500	15,500	15,900	15,900	15,900	45
50			11,800	12,800	13,300	13,400	13,400	50
55				10,700	11,200	11,300	11,300	55
60				9,000	9,500	9,600	9,600	60
65				7,600	8,100	8,200	8,200	65
70					6,900	7,000	7,000	70
75					5,900	5,900	6,000	75
80						5,100	5,100	80
85						4,300	4,300	85
90						3,600	3,700	90
95							3,100	95
100							2,600	100

This information is not for crane operation. Operator must refer to the in-cab information for crane operation. Rated lifting capacities shown on fully extended outriggers do not exceed 85% of the tipping loads and on tires do not exceed 75% of the tipping loads.

19,200 lb Counterweight – On Tires – Pick & Carry (Creep) – Boom Centered Over Front (All Capacities Are Listed In Pounds)								
Radius (ft)	Boom Length (ft)							Radius (ft)
	38.3	50.0	61.7	75.0	86.0	100.0	111.2	
12	67,600							12
15	56,400	58,900						15
20	43,100	45,800	42,100					20
25	33,700	36,700	36,800	36,800				25
30	23,600	27,200	29,300	30,200	30,700			30
35		20,600	22,600	23,500	24,000	24,000		35
40		15,900	17,900	18,900	19,300	19,300	19,300	40
45			14,500	15,500	15,900	15,900	15,900	45
50			11,800	12,800	13,300	13,400	13,400	50
55				10,700	11,200	11,300	11,300	55
60				9,000	9,500	9,600	9,600	60
65				7,600	8,100	8,200	8,200	65
70					6,900	7,000	7,000	70
75					5,900	5,900	6,000	75
80						5,100	5,100	80
85						4,300	4,300	85
90						3,600	3,700	90
95							3,100	95
100							2,600	100

19,200 lb Counterweight – On Tires – Stationary – 360° Rotation (All Capacities Are Listed In Pounds)								
Radius (ft)	Boom Length (ft)							Radius (ft)
	38.3	50.0	61.7	75.0	86.0	100.0	111.2	
15	35,100							15
20	20,800	24,200						20
25	13,100	16,300	18,200					25
30	8,200	11,400	13,300	14,200				30
35		8,000	9,800	10,800	11,300			35
40		5,600	7,400	8,300	8,800			40
45			5,500	6,400	6,900	7,000		45
50			4,000	4,900	5,400	5,500	5,500	50
55				3,700	4,200	4,300	4,300	55
60				2,700	3,200	3,300	3,300	60
65				1,900	2,400	2,500	2,500	65
70					1,700	1,800	1,800	70
75						1,200	1,200	75

This information is not for crane operation. Operator must refer to the in-cab information for crane operation. Rated lifting capacities shown on fully extended outriggers do not exceed 85% of the tipping loads and on tires do not exceed 75% of the tipping loads.

Main Boom Lift Capacity Charts – 85% – Metric

8.8t Counterweight – Fully Extended Outriggers – 360° Rotation (All Capacities Are Listed In Kilograms)												
Radius (m)	Boom Length (m)											Radius (m)
	11.67	15.24–15.38	18.8–19.21	22.78–23.18	26.21–27.28	30.48	33.88–34.94	38.1	41.82–42.75	45.72	50.02	
2.1	100 000*											2.1
2.5	90 000*											2.5
3	73 750	73 350	62 400									3
3.5	67 250	67 900	62 400									3.5
4	61 700	62 450	60 400	54 600								4
4.5	54 750	56 000	56 300	54 600	41 650							4.5
5	48 900	50 200	50 500	50 350	41 650							5
6	40 000	41 250	41 700	41 550	41 100	29 950	22 950					6
7	33 500	34 800	35 250	35 150	34 750	29 950	22 950					7
8	28 550	29 850	30 300	30 250	30 800	29 950	22 950	17 650	11 600			8
9	24 650	26 000	26 450	27 150	27 000	26 650	22 950	17 650	14 050	10 250		9
10		22 900	23 850	24 050	23 900	23 550	22 000	17 650	14 050	10 250		10
12		16 550	17 350	17 550	17 350	17 450	16 700	16 950	14 050	10 250	8 950	12
14			13 200	13 400	13 500	13 350	13 200	12 850	12 500	10 250	8 950	14
16			10 350	10 950	10 700	10 500	10 550	11 100	10 900	10 250	8 950	16
18				9 000	8 650	9 250	9 250	9 050	8 900	8 550	8 250	18
20				7 450	7 650	7 700	7 700	7 500	7 350	7 100	6 800	20
22					6 500	6 550	6 550	6 350	6 200	5 900	5 600	22
24					5 550	5 600	5 600	5 400	5 250	4 950	4 650	24
26						4 750	4 800	4 600	4 450	4 150	3 900	26
28						4 100	4 100	3 900	3 800	3 500	3 250	28
30							3 550	3 350	3 200	2 950	2 650	30
32							2 250	2 850	2 750	2 450	2 200	32
34								2 450	2 300	2 050	1 800	34
36									1 950	1 700	1 450	36
38									1 650	1 350	1 100	38
40										1 050	850	40
42										800	550	42

* Over Front Only
* ASME B30.5 or Special Equipment

This information is not for crane operation. Operator must refer to the in-cab information for crane operation. Rated lifting capacities shown on fully extended outriggers do not exceed 85% of the tipping loads and on tires do not exceed 75% of the tipping loads.

13.2t Counterweight — Fully Extended Outriggers — 360° Rotation (All Capacities Are Listed In Kilograms)												
Radius (m)	Boom Length (m)											Radius (m)
	11.67	15.24—15.38	18.8—19.21	22.78—23.18	26.21—27.28	30.48	33.88—34.94	38.1	41.82—42.75	45.72	50.02	
2.1	100 000*											2.1
2.5	90 000*											2.5
3	74 550	73 350	62 400									3
3.5	67 950	68 200	62 400									3.5
4	62 350	63 100	60 400	54 600								4
4.5	57 550	58 300	57 100	54 600	41 650							4.5
5	51 750	53 000	53 300	53 100	41 650							5
6	42 350	43 600	44 000	43 900	41 650	29 950	22 950					6
7	35 550	36 850	37 250	37 150	36 750	29 950	22 950					7
8	30 350	31 650	32 100	32 050	31 700	29 950	22 950	17 650	11 600			8
9	26 300	27 650	28 100	28 300	28 600	28 250	22 950	17 650	14 050	10 250		9
10		24 350	24 800	25 500	25 350	25 000	22 000	17 650	14 050	10 250		10
12		19 650	20 350	20 600	20 450	20 100	19 150	17 500	14 050	10 250	8 950	12
14			15 900	16 050	15 850	15 950	15 000	15 450	14 050	10 250	8 950	14
16			12 600	12 850	12 950	12 750	12 600	12 300	11 950	10 250	8 950	16
18				10 500	10 600	10 400	10 300	10 400	10 550	10 250	8 950	18
20				9 150	8 800	8 650	8 700	9 200	9 050	8 700	8 400	20
22					7 450	7 950	8 000	7 800	7 650	7 350	7 100	22
24					6 300	6 950	6 950	6 750	6 600	6 300	6 000	24
26						6 000	6 000	5 800	5 700	5 400	5 100	26
28						5 200	5 250	5 050	4 900	4 650	4 350	28
30							4 600	4 400	4 250	4 000	3 700	30
32							3 200	3 850	3 700	3 450	3 150	32
34								3 350	3 250	2 950	2 700	34
36									2 800	2 550	2 300	36
38									2 450	2 150	1 900	38
40									1 100	1 850	1 600	40
42										1 550	1 300	42
44											1 050	44
46											800	46

* Over Front Only

* ASME B30.5 or Special Equipment

This information is not for crane operation. Operator must refer to the in-cab information for crane operation. Rated lifting capacities shown on fully extended outriggers do not exceed 85% of the tipping loads and on tires do not exceed 75% of the tipping loads.

Fly Attachment Lift Capacity Charts – 85% – Optional

13.2t Counterweight – Fully Extended Outriggers – 360° Rotation (All Capacities Are Listed In Kilograms)												
Radius (m)	Boom Length + 3.0m Manual Offset Fly (2°, 15°, 30° & 45° Offsets)											Radius (m)
	11.67	15.24– 15.38	18.8– 19.21	22.78– 23.18	26.21– 27.28	30.48	33.88– 34.94	38.1	41.82– 42.75	45.72	50.02	
3	18 850	19 400	21 600									3
3.5	16 400	16 700	19 400	21 600								3.5
4	16 150	16 500	19 050	21 600								4
4.5	15 950	16 300	16 500	19 200	19 200							4.5
5	15 750	16 100	16 350	18 750	18 950							5
6	15 450	15 800	16 050	16 250	16 350	18 450	18 000					6
7	15 250	15 600	15 850	16 000	16 150	18 100	18 000					7
8	15 150	15 350	15 600	15 800	16 000	16 050	17 750	13 850	9 350			8
9	15 150	15 200	15 450	15 650	15 800	15 900	15 950	13 850	11 600	8 400		9
10	15 150	15 150	15 300	15 500	15 650	15 700	15 800	13 850	11 600	8 400	7 250	10
12	15 150	15 150	15 150	15 300	15 450	15 500	15 600	13 850	11 600	8 400	7 250	12
14		15 150	15 150	15 200	14 950	14 500	14 900	13 850	11 600	8 400	7 250	14
16		10 800	12 500	12 300	12 750	12 550	12 350	12 200	11 600	8 400	7 250	16
18			10 650	10 650	10 600	10 400	10 200	9 900	9 550	8 400	7 250	18
20			8 450	8 900	8 900	8 650	8 450	8 250	8 500	8 400	7 250	20
22				7 500	7 500	7 300	7 200	7 600	7 500	7 150	6 950	22
24				5 800	6 450	6 350	6 700	6 600	6 450	6 150	5 850	24
26					5 550	5 900	5 900	5 700	5 500	5 200	4 950	26
28					3 750	5 200	5 150	4 950	4 750	4 450	4 200	28
30						4 550	4 500	4 300	4 100	3 800	3 550	30
32							3 950	3 750	3 550	3 250	3 000	32
34							3 500	3 250	3 100	2 800	2 500	34
36								2 850	2 650	2 400	2 100	36
38								2 500	2 300	2 000	1 750	38
40									2 000	1 700	1 400	40
42									1 700	1 400	1 150	42
44										1 150	850	44
46										900	650	46
48											450	48

This information is not for crane operation. Operator must refer to the in-cab information for crane operation. Rated lifting capacities shown on fully extended outriggers do not exceed 85% of the tipping loads and on tires do not exceed 75% of the tipping loads.

13.2t Counterweight – Fully Extended Outriggers – 360° Rotation
(All Capacities Are Listed In Kilograms)

50.0m Main Boom Length

Radius (m)	10.67m Manual Offset Fly				17.68m Manual Offset Fly				Radius (m)
	2°	15°	30°	45°	2°	15°	30°	45°	
12	5 000								12
14	5 000								14
16	5 000				3 400				16
18	5 000	5 200			3 400				18
20	5 000	5 200	5 100		3 400	3 600			20
22	5 000	5 200	5 000	4 450	3 400	3 600			22
24	5 000	5 200	4 850	4 350	3 400	3 450			24
26	5 000	5 200	4 750	4 300	3 400	3 350	2 800		26
28	4 450	4 750	4 650	4 250	3 400	3 250	2 700	2 350	28
30	3 800	4 100	4 350	4 200	3 400	3 150	2 650	2 300	30
32	3 250	3 500	3 750	3 950	3 400	3 050	2 550	2 250	32
34	2 750	3 000	3 200	3 400	3 000	2 950	2 500	2 250	34
36	2 350	2 550	2 750	2 900	2 550	2 850	2 450	2 200	36
38	2 000	2 150	2 350	2 450	2 200	2 500	2 400	2 150	38
40	1 650	1 800	1 950	2 050	1 850	2 150	2 350	2 150	40
42	1 350	1 500	1 650	1 700	1 550	1 800	2 050	2 100	42
44	1 100	1 200	1 350	1 400	1 300	1 500	1 750	1 900	44
46	850	950	1 050	1 100	1 050	1 250	1 450	1 600	46
48	650	750	800	850	800	1 000	1 200	1 300	48
50	450	500	600		600	800	950	1 050	50
52					450	600	750	800	52
54						400	500	550	54

This information is not for crane operation. Operator must refer to the in-cab information for crane operation. Rated lifting capacities shown on fully extended outriggers do not exceed 85% of the tipping loads and on tires do not exceed 75% of the tipping loads.

Main Boom Lift Capacity Charts – 85% – On Tires

8.8t Counterweight – On Tires – Stationary – Boom Centered Over Front Between Tire Tracks (All Capacities Are Listed In Kilograms)								
Radius (m)	Boom Length (m)						Radius (m)	
	11.67	15.24	18.8	22.86	26.21	30.48		33.88
3.5	31 600							3.5
4	29 650							4
4.5	27 150	28 050						4.5
5	25 000	26 250						5
6	21 450	22 700	19 050					6
7	17 950	19 650	17 600					7
8	13 900	15 600	16 150	16 650				8
9	11 050	12 700	13 650	14 050	13 900			9
10		10 500	11 450	11 850	12 050			10
12		7 450	8 350	8 800	9 000	9 000	8 750	12
14			6 300	6 750	7 000	7 000	7 000	14
16			4 850	5 300	5 550	5 550	5 550	16
18				4 200	4 450	4 500	4 500	18
20				3 350	3 600	3 650	3 650	20
22					2 900	2 950	2 950	22
24					2 350	2 400	2 400	24
26						1 950	1 950	26
28						1 550	1 550	28
30							1 250	30

This information is not for crane operation. Operator must refer to the in-cab information for crane operation. Rated lifting capacities shown on fully extended outriggers do not exceed 85% of the tipping loads and on tires do not exceed 75% of the tipping loads.

8.8t Counterweight – On Tires – Pick & Carry (Creep) – Boom Centered Over Front (All Capacities Are Listed In Kilograms)								
Radius (m)	Boom Length (m)							Radius (m)
	11.67	15.24	18.8	22.86	26.21	30.48	33.88	
3.5	30 650							3.5
4	28 600							4
4.5	25 900	26 700						4.5
5	23 650	24 800						5
6	19 850	21 100	19 050					6
7	16 900	18 150	17 600					7
8	13 900	15 600	16 150	16 650				8
9	11 050	12 700	13 650	14 050	13 900			9
10		10 500	11 450	11 850	12 050			10
12		7 450	8 350	8 800	9 000	9 000	8 750	12
14			6 300	6 750	7 000	7 000	7 000	14
16			4 850	5 300	5 550	5 550	5 550	16
18				4 200	4 450	4 500	4 500	18
20				3 350	3 600	3 650	3 650	20
22					2 900	2 950	2 950	22
24					2 350	2 400	2 400	24
26						1 950	1 950	26
28						1 550	1 550	28
30							1 250	30

8.8t Counterweight – On Tires – Stationary – 360° Rotation (All Capacities Are Listed In Kilograms)								
Radius (m)	Boom Length (m)							Radius (m)
	11.67	15.24	18.8	22.86	26.21	30.48	33.88	
4.5	15 900							4.5
5	13 600							5
6	9 700	10 950						6
7	7 150	8 600						7
8	5 300	6 750	7 600					8
9	3 900	5 350	6 200	6 400				9
10		4 250	5 100	5 500				10
12		2 650	3 450	3 850	4 100			12
14			2 350	2 750	3 000	3 000		14
16			1 550	1 950	2 150	2 200	2 200	16
18				1 300	1 550	1 550	1 600	18
20				800	1 050	1 050	1 100	20
22					650	650	700	22

This information is not for crane operation. Operator must refer to the in-cab information for crane operation. Rated lifting capacities shown on fully extended outriggers do not exceed 85% of the tipping loads and on tires do not exceed 75% of the tipping loads.

Main Boom Lift Capacity Charts – 75%/ISO – Metric

8.8t Counterweight – Fully Extended Outriggers – 360° Rotation (All Capacities Are Listed In Kilograms)												
Radius (m)	Boom Length (m)											Radius (m)
	11.67	15.24– 15.38	18.8– 19.21	22.78– 23.18	26.21– 27.28	30.48	33.88– 34.94	38.1	41.82– 42.75	45.72	50.02	
2.1	100 000*											2.1
2.5	90 000*											2.5
3	73 750	73 350	62 400									3
3.5	67 250	67 900	62 400									3.5
4	61 700	62 450	60 400	54 600								4
4.5	54 750	56 000	56 300	54 600	41 650							4.5
5	48 900	50 200	50 500	50 350	41 650							5
6	40 000	41 250	41 700	41 550	41 100	29 950	22 950					6
7	33 500	34 800	35 250	35 150	34 750	29 950	22 950					7
8	28 550	29 850	30 300	30 250	30 800	29 950	22 950	17 650	11 600			8
9	23 200	24 800	25 950	26 100	25 900	25 400	22 950	17 650	14 050	10 250		9
10		20 600	21 350	21 500	21 300	20 850	20 400	17 650	14 050	10 250		10
12		14 600	15 300	15 450	15 550	15 400	15 250	14 900	14 050	10 250	8 950	12
14			11 650	12 200	11 900	11 750	11 700	12 300	11 600	10 250	8 950	14
16			9 350	9 750	9 400	10 000	9 950	9 750	9 600	9 300	8 950	16
18				7 950	8 200	8 150	8 150	7 950	7 800	7 500	7 250	18
20				6 600	6 850	6 850	6 850	6 650	6 500	6 250	6 000	20
22					5 750	5 750	5 750	5 600	5 450	5 200	4 900	22
24					4 850	4 900	4 900	4 750	4 600	4 300	4 000	24
26						4 150	4 200	4 000	3 850	3 550	3 300	26
28						3 550	3 550	3 400	3 250	2 950	2 650	28
30							3 000	2 850	2 700	2 400	2 150	30
32							1 750	2 350	2 250	1 950	1 700	32
34								1 950	1 850	1 600	1 300	34
36									1 500	1 250	1 000	36
38									1 200	900	650	38
40										650	400	40

* Over Front Only
* ASME B30.5 or Special Equipment

This information is not for crane operation. Operator must refer to the in-cab information for crane operation. Rated lifting capacities shown on fully extended outriggers do not exceed 75%/ISO of the tipping loads and on tires do not exceed 65%/ISO of the tipping loads.

13.2t Counterweight — Fully Extended Outriggers — 360° Rotation
 (All Capacities Are Listed In Kilograms)

Radius (m)	Boom Length (m)										Radius (m)	
	11.67	15.24—15.38	18.8—19.21	22.78—23.18	26.21—27.28	30.48	33.88—34.94	38.1	41.82—42.75	45.72		50.02
2.1	100 000*											2.1
2.5	90 000*											2.5
3	74 550	73 350	62 400									3
3.5	67 950	68 200	62 400									3.5
4	62 350	63 100	60 400	54 600								4
4.5	57 550	58 300	57 100	54 600	41 650							4.5
5	51 750	53 000	53 300	53 100	41 650							5
6	42 350	43 600	44 000	43 900	41 650	29 950	22 950					6
7	35 550	36 850	37 250	37 150	36 750	29 950	22 950					7
8	30 350	31 650	32 100	32 050	31 700	29 950	22 950	17 650	11 600			8
9	26 300	27 650	28 100	28 300	28 600	28 250	22 950	17 650	14 050	10 250		9
10		24 000	24 600	25 200	25 000	24 550	22 000	17 650	14 050	10 250		10
12		17 500	18 250	18 400	18 200	17 800	17 400	17 500	14 050	10 250	8 950	12
14			14 000	14 200	14 300	14 100	14 000	13 700	13 350	10 250	8 950	14
16			11 100	11 300	11 400	11 250	11 100	11 400	11 600	10 250	8 950	16
18				9 650	9 350	9 400	9 550	9 650	9 500	9 250	8 950	18
20				8 050	7 800	8 300	8 300	8 100	7 950	7 650	7 400	20
22					6 900	7 100	7 100	6 900	6 800	6 500	6 300	22
24					6 100	6 100	6 100	5 950	5 800	5 550	5 300	24
26						5 300	5 300	5 150	5 000	4 700	4 450	26
28						4 600	4 600	4 450	4 300	4 000	3 750	28
30							4 000	3 800	3 700	3 400	3 150	30
32							2 650	3 300	3 150	2 900	2 600	32
34								2 850	2 700	2 450	2 200	34
36									2 300	2 050	1 800	36
38									1 950	1 700	1 450	38
40									650	1 350	1 100	40
42										1 100	850	42
44											600	44

* Over Front Only

* ASME B30.5 or Special Equipment

This information is not for crane operation. Operator must refer to the in-cab information for crane operation. Rated lifting capacities shown on fully extended outriggers do not exceed 75%/ISO of the tipping loads and on tires do not exceed 65%/ISO of the tipping loads.

Fly Attachment Lift Capacity Charts – 75%/ISO – Optional

13.2t Counterweight – Fully Extended Outriggers – 360° Rotation (All Capacities Are Listed In Kilograms)												
Radius (m)	Boom Length + 3.0m Manual Offset Fly (2°, 15°, 30° & 45° Offsets)											Radius (m)
	11.67	15.24– 15.38	18.8– 19.21	22.78– 23.18	26.21– 27.28	30.48	33.88– 34.94	38.1	41.82– 42.75	45.72	50.02	
3	18 850	19 400	21 600									3
3.5	16 400	16 700	19 400	21 600								3.5
4	16 150	16 500	19 050	21 600								4
4.5	15 950	16 300	16 500	19 200	19 200							4.5
5	15 750	16 100	16 350	18 750	18 950							5
6	15 450	15 800	16 050	16 250	16 350	18 450	18 000					6
7	15 250	15 600	15 850	16 000	16 150	18 100	18 000					7
8	15 150	15 350	15 600	15 800	16 000	16 050	17 750	13 850	9 350			8
9	15 150	15 200	15 450	15 650	15 800	15 900	15 950	13 850	11 600	8 400		9
10	15 150	15 150	15 300	15 500	15 650	15 700	15 800	13 850	11 600	8 400	7 250	10
12	15 150	15 150	15 150	15 300	15 450	15 500	15 600	13 850	11 600	8 400	7 250	12
14		13 800	13 900	13 650	13 900	13 850	13 750	13 600	11 600	8 400	7 250	14
16		10 800	11 450	11 450	11 450	11 250	11 050	10 750	10 450	8 400	7 250	16
18			9 400	9 400	9 400	9 150	9 000	8 850	9 100	8 400	7 250	18
20			7 450	7 850	7 800	7 600	7 750	7 950	7 800	7 500	7 250	20
22				6 900	6 650	6 850	7 000	6 800	6 650	6 350	6 100	22
24				5 100	5 700	6 050	6 000	5 800	5 650	5 400	5 100	24
26					5 200	5 250	5 200	5 000	4 850	4 550	4 250	26
28						3 100	4 600	4 550	4 300	4 150	3 850	28
30							4 000	3 950	3 700	3 550	2 950	30
32								3 400	3 200	3 000	2 450	32
34								2 950	2 750	2 550	2 000	34
36									2 350	2 200	1 900	36
38									2 000	1 850	1 550	38
40										1 550	1 250	40
42										1 250	950	42
44											700	44
46											500	46

This information is not for crane operation. Operator must refer to the in-cab information for crane operation. Rated lifting capacities shown on fully extended outriggers do not exceed 75%/ISO of the tipping loads and on tires do not exceed 65%/ISO of the tipping loads.

13.2t Counterweight – Fully Extended Outriggers – 360° Rotation
(All Capacities Are Listed In Kilograms)

50.0m Main Boom Length

Radius (m)	10.67m Manual Offset Fly				17.68m Manual Offset Fly				Radius (m)
	2°	15°	30°	45°	2°	15°	30°	45°	
12	5 000								12
14	5 000								14
16	5 000				3 400				16
18	5 000	5 200			3 400				18
20	5 000	5 200	5 100		3 400	3 600			20
22	5 000	5 200	5 000	4 450	3 400	3 600			22
24	5 000	5 200	4 850	4 350	3 400	3 450			24
26	4 550	4 900	4 750	4 300	3 400	3 350	2 800		26
28	3 850	4 150	4 450	4 250	3 400	3 250	2 700	2 350	28
30	3 200	3 500	3 800	4 000	3 400	3 150	2 650	2 300	30
32	2 700	2 950	3 200	3 400	2 900	3 050	2 550	2 250	32
34	2 250	2 450	2 700	2 850	2 450	2 850	2 500	2 250	34
36	1 850	2 050	2 250	2 400	2 050	2 400	2 450	2 200	36
38	1 500	1 700	1 850	1 950	1 700	2 000	2 350	2 150	38
40	1 200	1 350	1 500	1 600	1 400	1 700	1 950	2 150	40
42	900	1 050	1 200	1 250	1 100	1 350	1 650	1 800	42
44	650	800	900	950	850	1 100	1 350	1 500	44
46	400	550	650	700	600	850	1 050	1 200	46
48			400		400	600	800	900	48
50						400	550	650	50
52							400		52

This information is not for crane operation. Operator must refer to the in-cab information for crane operation. Rated lifting capacities shown on fully extended outriggers do not exceed 75%/ISO of the tipping loads and on tires do not exceed 65%/ISO of the tipping loads.

Main Boom Lift Capacity Charts – 75% – On Tires

8.8t Counterweight – On Tires – Stationary – Boom Centered Over Front Between Tire Tracks (All Capacities Are Listed In Kilograms)								
Radius (m)	Boom Length (m)						Radius (m)	
	11.67	15.24	18.8	22.86	26.21	30.48		33.88
3.5	31 600							3.5
4	29 650							4
4.5	27 150	28 050						4.5
5	25 000	26 250						5
6	21 450	22 700	19 050					6
7	17 950	19 650	17 600					7
8	13 900	15 600	16 150	16 650				8
9	11 050	12 700	13 650	14 050	13 900			9
10		10 500	11 450	11 850	12 050			10
12		7 450	8 350	8 800	9 000	9 000	8 750	12
14			6 300	6 750	7 000	7 000	7 000	14
16			4 850	5 300	5 550	5 550	5 550	16
18				4 200	4 450	4 500	4 500	18
20				3 350	3 600	3 650	3 650	20
22					2 900	2 950	2 950	22
24					2 350	2 400	2 400	24
26						1 950	1 950	26
28						1 550	1 550	28
30							1 250	30

This information is not for crane operation. Operator must refer to the in-cab information for crane operation. Rated lifting capacities shown on fully extended outriggers do not exceed 75%/ISO of the tipping loads and on tires do not exceed 65%/ISO of the tipping loads.

8.8t Counterweight – On Tires – Pick & Carry (Creep) – Boom Centered Over Front
(All Capacities Are Listed In Kilograms)

Radius (m)	Boom Length (m)							Radius (m)
	11.67	15.24	18.8	22.86	26.21	30.48	33.88	
3.5	30 650							3.5
4	28 600							4
4.5	25 900	26 700						4.5
5	23 650	24 800						5
6	19 850	21 100	19 050					6
7	16 900	18 150	17 600					7
8	13 900	15 600	16 150	16 650				8
9	11 050	12 700	13 650	14 050	13 900			9
10		10 500	11 450	11 850	12 050			10
12		7 450	8 350	8 800	9 000	9 000	8 750	12
14			6 300	6 750	7 000	7 000	7 000	14
16			4 850	5 300	5 550	5 550	5 550	16
18				4 200	4 450	4 500	4 500	18
20				3 350	3 600	3 650	3 650	20
22					2 900	2 950	2 950	22
24					2 350	2 400	2 400	24
26						1 950	1 950	26
28						1 550	1 550	28
30							1 250	30

8.8t Counterweight – On Tires – Stationary – 360° Rotation
(All Capacities Are Listed In Kilograms)

Radius (m)	Boom Length (m)							Radius (m)
	11.67	15.24	18.8	22.86	26.21	30.48	33.88	
3.5	20 050							3.5
4	18 550							4
4.5	16 650	17 550						4.5
5	15 000	16 150						5
6	12 300	13 550	14 000					6
7	10 150	11 450	12 200					7
8	8 450	9 750	10 500	10 900				8
9	7 000	8 350	9 100	9 500	9 550			9
10		7 200	7 950	8 350	8 600			10
12		5 350	6 200	6 600	6 850	6 850	6 750	12
14			4 800	5 250	5 450	5 500	5 550	14
16			3 750	4 150	4 400	4 450	4 500	16
18				3 300	3 550	3 600	3 650	18
20				2 600	2 850	2 900	2 950	20
22					2 300	2 300	2 350	22
24					1 800	1 850	1 850	24
26						1 400	1 450	26
28						1 050	1 050	28
30							750	30

This information is not for crane operation. Operator must refer to the in-cab information for crane operation. Rated lifting capacities shown on fully extended outriggers do not exceed 75%/ISO of the tipping loads and on tires do not exceed 65%/ISO of the tipping loads.

This Page Intentionally Blank

This Page Intentionally Blank

This Page Intentionally Blank

Link-Belt Cranes Lexington, Kentucky www.linkbelt.com

®Link-Belt is a registered trademark. Copyright 2017. We are constantly improving our products and therefore reserve the right to change designs and specifications.