

Main Boom Lift Capacity Chart (Continued) – 360° Rotation
ABC + A Counterweight [92,000 lb (41.7mt) + 48,000 lb (21.8mt)]

[All capacities are listed in kips (mt)]

Load Radius (ft)	Boom Length ft (m)									
	90 (27.4)	110 (33.5)	130 (39.6)	150 (45.7)	170 (51.8)	190 (57.9)	210 (64.0)	230 (67.1)	250 (76.2)	260 (79.2)
80 (24.4)	33.3 (15.1)	33.2 (15.1)	32.9 (14.9)	32.5 (14.7)	32.1 (14.6)	31.7 (14.4)	31.2 (14.2)	30.8 (14.0)	26.1 (11.8)	23.5 (10.7)
90 (27.4)	28.4 (12.9)	28.3 (12.8)	28.0 (12.7)	27.7 (12.6)	27.2 (12.3)	26.8 (12.2)	26.3 (11.9)	25.8 (11.7)	23.5 (10.7)	20.6 (9.3)
100 (30.5)		24.5 (11.1)	24.2 (11.0)	23.8 (10.8)	23.4 (10.6)	23.0 (10.4)	22.5 (10.2)	22.0 (10.0)	20.1 (9.1)	18.2 (8.3)
110 (33.5)		21.3 (9.7)	21.1 (9.6)	20.8 (9.4)	20.3 (9.2)	19.9 (9.0)	19.4 (8.8)	18.9 (8.6)	17.4 (7.9)	15.6 (7.1)
120 (36.6)			18.6 (8.4)	18.2 (8.3)	17.8 (8.1)	17.3 (7.9)	16.8 (7.6)	16.3 (7.4)	14.9 (6.8)	13.3 (6.0)
130 (39.6)			16.4 (7.4)	16.1 (7.3)	15.7 (7.1)	15.2 (6.9)	14.7 (6.7)	14.2 (6.4)	12.8 (5.8)	11.3 (5.1)
140 (42.7)				14.2 (6.4)	13.9 (6.3)	13.4 (6.1)	12.9 (5.6)	12.4 (5.6)	11.0 (5.0)	9.5 (4.3)
150 (45.7)				12.6 (5.7)	12.3 (5.6)	11.8 (5.4)	11.4 (5.2)	10.9 (4.9)	9.3 (4.2)	8.0 (3.6)
160 (48.8)					10.9 (4.9)	10.5 (4.8)	10.0 (4.5)	9.5 (4.3)	7.9 (3.6)	6.6 (3.0)
170 (51.8)					9.7 (4.4)	9.3 (4.2)	8.8 (4.0)	8.3 (3.8)	6.6 (3.0)	5.4 (2.5)
180 (54.9)						8.2 (3.7)	7.7 (3.5)	7.0 (3.2)	5.4 (2.5)	4.3 (2.0)
190 (57.9)						6.9 (3.1)	6.6 (3.0)	5.9 (2.7)	4.4 (2.0)	3.3 (1.5)
200 (61.0)							5.5 (2.5)	4.9 (2.2)	3.4 (1.5)	2.4 (1.1)
210 (64.0)							4.4 (2.0)	3.9 (1.8)	2.6 (1.2)	
220 (67.1)								3.0 (1.4)		
230 (70.1)								2.1 (1.0)		

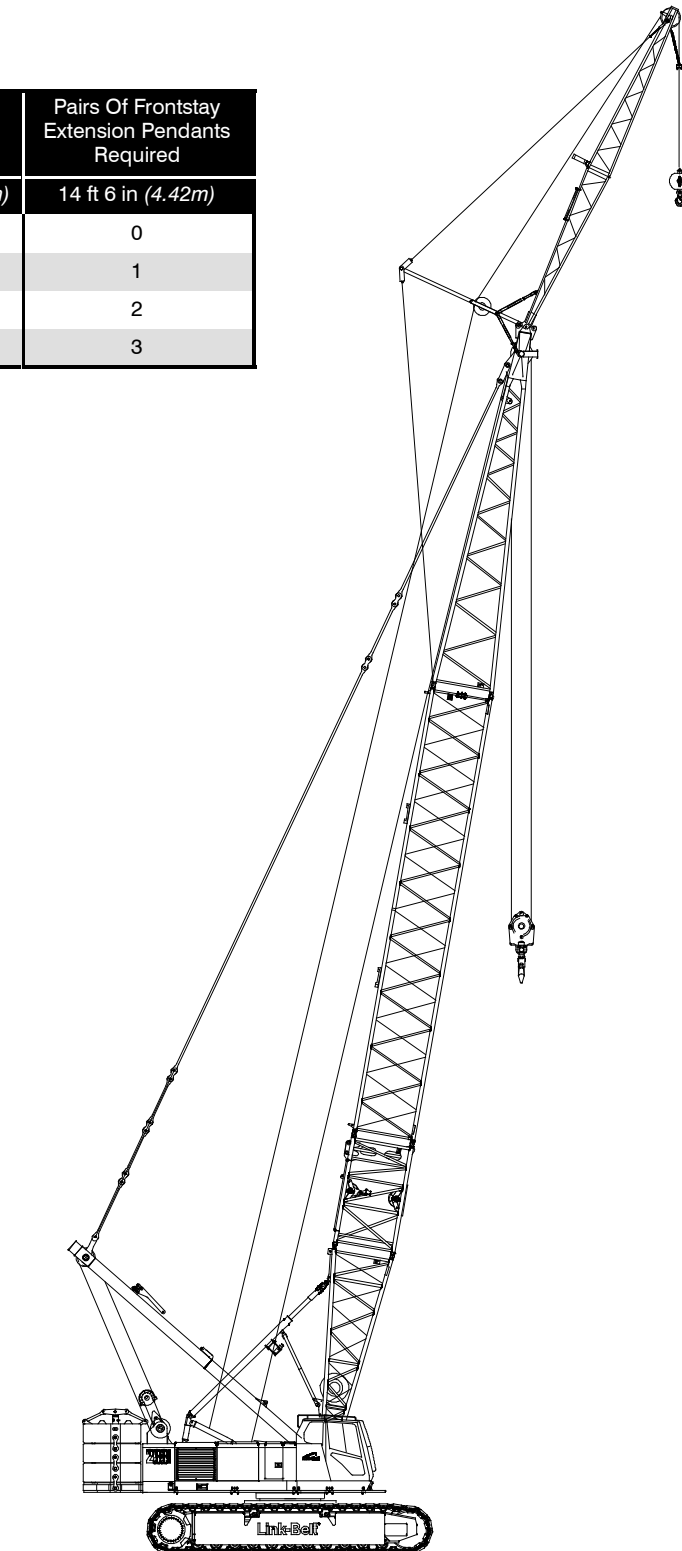
This material is supplied for reference use only. Operator must refer to in-cab Crane Rating Manual and Operator's Manual to determine allowable crane lifting capacities and assembly and operating procedures.

Jib Attachment Make-up

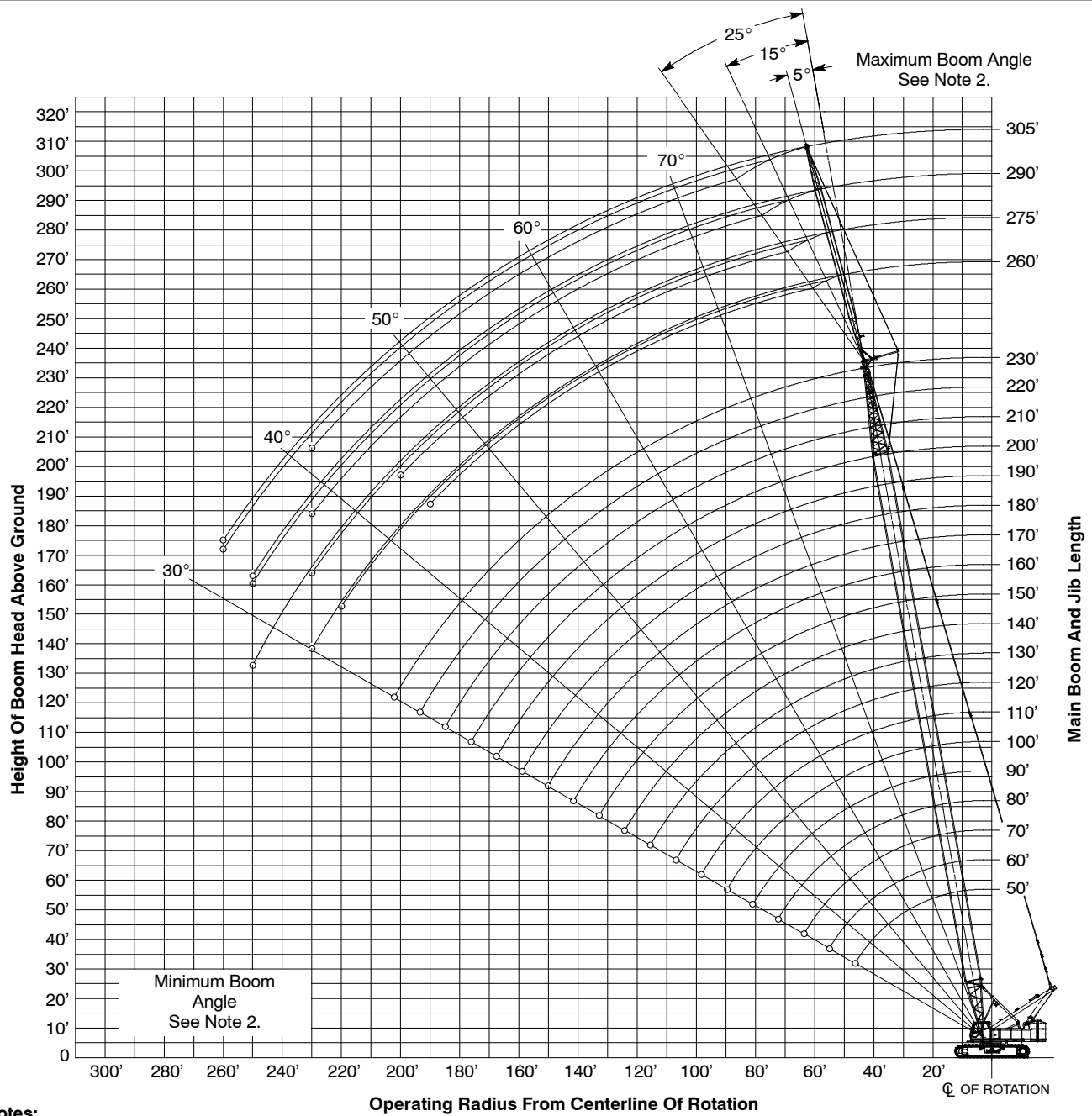
Jib Length ft (m)	Jib Extensions	Basic Frontstay Pendants Required	Pairs Of Frontstay Extension Pendants Required
	15 ft (4.57 m)	63 ft 5 in (19.33m)	14 ft 6 in (4.42m)
30 (9.15)	0	1	0
45 (13.72)	1	1	1
60 (18.29)	2	1	2
75 (22.86)	3	1	3

Notes:

1. Capacities shown are in kips/metric tons (1 kip = 1,000 lb / 1 metric ton = 0.45 kips) and are not more than 75% of the tipping loads with the crane standing level on a firm supporting surface.
2. A deduction must be made from these capacities for the weight of the main boom hook block or hook ball, jib hook block or hook ball, slings, grapples, load weighing devices, etc. When using main hook while jib is attached, reduce capacities by values shown in Crane Rating Manual. See Operator's Manual for all limitations when raising or lowering attachment.
3. The capacities in the shaded areas are based on structural strength. The capacities in the non-shaded areas are based on stability ratings.
4. Load ratings are based on freely suspended loads and make no allowances for such factors as the effect of the wind, ground conditions, and operating speeds. The operator shall therefore reduce load ratings in order to take these conditions into account. Refer to the Crane Rating Manual for Wind Speed Restrictions.
5. These capacities are for "ABC+A" counterweight.
6. These capacities are for 360° working areas.
7. These capacities are for 30–75 ft (9.15–22.86m) jib lengths only.
8. The jib cannot be used on boom lengths over 230 ft (70.10m).
9. The least stable rated condition is over the side.
10. These capacities are in compliance with ASME/ANSI B30.5 at date of manufacture.
11. These capacities apply only to the crane as originally manufactured and normally equipped by Link-Belt Construction Equipment Company.



Jib Attachment Working Range Diagram



Notes:

1. Boom geometry shown is for unloaded condition and crane standing level on firm supporting surface. Boom deflection, subsequent radius, and boom angle change must be accounted for when applying load to hook.
2. Maximum and minimum boom angles are equal to the values listed in the capacity charts for each boom and jib length.

Jib Attachment Load Charts

30 ft (9.14m) Offset Jib Length – 360° Rotation																	
ABC + A Counterweight [92,000 lb (41.7mt) + 48,000 lb (21.8mt)]																	
[All capacities are listed in kips (mt)]																	
5° Offset						15° Offset						25° Offset					
Load Radius ft (m)	Main Boom Length ft (m)					Load Radius ft (m)	Main Boom Length ft (m)					Load Radius ft (m)	Main Boom Length ft (m)				
	50 (15.2)	100 (30.5)	150 (45.7)	200 (61.0)	230 (70.1)		50 (15.2)	100 (30.5)	150 (45.7)	200 (61.0)	230 (70.1)		50 (15.2)	100 (30.5)	150 (45.7)	200 (61.0)	230 (70.1)
20 (6.1)	24.0 (10.9)					20 (6.1)	24.0 (10.9)					20 (6.1)					
30 (9.1)	24.0 (10.9)	24.0 (10.9)				30 (9.1)	23.9 (10.9)					30 (9.1)	22.6 (10.3)				
40 (12.2)	24.0 (10.9)	24.0 (10.9)	24.0 (10.9)			40 (12.2)	23.9 (10.9)	24.0 (10.9)				40 (12.2)	20.2 (9.2)	22.6 (10.3)			
50 (15.2)	24.0 (10.9)	24.0 (10.9)	24.0 (10.9)	24.0 (10.9)		50 (15.2)	22.3 (10.1)	24.0 (10.9)	24.0 (10.9)			50 (15.2)	17.4 (7.9)	20.8 (9.5)	22.4 (10.2)		
60 (18.3)	22.7 (10.3)	24.0 (10.9)	24.0 (10.9)	24.0 (10.9)	24.0 (10.9)	60 (18.3)	19.0 (8.6)	23.3 (10.6)	24.0 (10.9)	24.0 (10.9)	24.0 (10.9)	60 (18.3)	15.4 (7.0)	19.1 (8.7)	21.0 (9.5)	22.2 (10.1)	
70 (21.3)	19.3 (8.8)	24.0 (10.9)	24.0 (10.9)	24.0 (10.9)	24.0 (10.9)	70 (21.3)	16.7 (7.6)	22.6 (10.3)	24.0 (10.9)	24.0 (10.9)	24.0 (10.9)	70 (21.3)		17.6 (8.0)	19.7 (9.0)	21.1 (9.6)	21.7 (9.9)
80 (24.4)		23.6 (10.7)	24.0 (10.9)	24.0 (10.9)	24.0 (10.9)	80 (24.4)		21.1 (9.6)	22.9 (10.4)	24.0 (10.9)	24.0 (10.9)	80 (24.4)		16.3 (7.4)	18.6 (8.5)	20.0 (9.1)	20.7 (9.4)
90 (27.4)		22.6 (10.3)	24.0 (10.9)	24.0 (10.9)	24.0 (10.9)	90 (27.4)		19.1 (8.7)	22.5 (10.2)	24.0 (10.9)	23.2 (10.5)	90 (27.4)		15.2 (6.9)	17.7 (8.0)	19.1 (8.7)	19.8 (9.0)
100 (30.5)		21.2 (9.6)	24.0 (10.9)	22.5 (10.2)	22.0 (10.0)	100 (30.5)		17.6 (8.0)	22.1 (10.0)	22.6 (10.3)	22.0 (10.0)	100 (30.5)		14.4 (6.5)	16.7 (7.6)	18.3 (8.3)	19.0 (8.6)
120 (36.6)		17.7 (8.0)	18.5 (8.4)	17.1 (7.8)	16.3 (7.4)	120 (36.6)			18.7 (8.5)	17.4 (7.9)	16.6 (7.5)	120 (36.6)			15.1 (6.9)	16.9 (7.7)	16.9 (7.7)
140 (42.7)			14.6 (6.6)	13.2 (6.0)	12.3 (5.6)	140 (42.7)			14.7 (6.7)	13.4 (6.1)	12.6 (5.7)	140 (42.7)				13.6 (6.2)	12.9 (5.9)
160 (48.8)			11.7 (5.3)	10.3 (4.7)	9.4 (4.3)	160 (48.8)				10.5 (4.8)	9.7 (4.4)	160 (48.8)				10.6 (4.8)	9.8 (4.5)
180 (54.9)				8.1 (3.7)	7.2 (3.3)	180 (54.9)				8.2 (3.7)	7.4 (3.4)	180 (54.9)					7.5 (3.4)
200 (61.0)				6.3 (2.9)	5.1 (2.3)	200 (61.0)					5.3 (2.4)	200 (61.0)					
220 (67.1)					3.3 (1.5)	220 (67.1)					3.4 (1.5)	220 (67.1)					
230 (70.1)					2.5 (1.1)	230 (70.1)						230 (70.1)					

This material is supplied for reference use only. Operator must refer to in-cab Crane Rating Manual and Operator's Manual to determine allowable crane lifting capacities and assembly and operating procedures.

45 ft (13.7m) Offset Jib Length – 360° Rotation ABC + A Counterweight [92,000 lb (41.7mt) + 48,000 lb (21.8mt)] [All capacities are listed in kips (mt)]																	
5° Offset						15° Offset						25° Offset					
Load Radius ft (m)	Main Boom Length ft (m)					Load Radius ft (m)	Main Boom Length ft (m)					Load Radius ft (m)	Main Boom Length ft (m)				
	50 (15.2)	100 (30.5)	150 (45.7)	200 (61.0)	230 (70.1)		50 (15.2)	100 (30.5)	150 (45.7)	200 (61.0)	230 (70.1)		50 (15.2)	100 (30.5)	150 (45.7)	200 (61.0)	230 (70.1)
30 (9.1)	24.0 (10.9)					30 (9.1)						30 (9.1)					
40 (12.2)	22.6 (10.3)	24.0 (10.9)				40 (12.2)	18.4 (8.4)	22.4 (10.2)				40 (12.2)	13.7 (6.2)				
50 (15.2)	19.0 (8.6)	23.8 (10.8)	24.0 (10.9)	24.0 (10.9)		50 (15.2)	15.3 (7.0)	19.2 (8.7)	22.0 (10.0)			50 (15.2)	11.8 (5.4)	13.6 (6.2)			
60 (18.3)	15.8 (7.2)	22.5 (10.2)	24.0 (10.9)	24.0 (10.9)	24.0 (10.9)	60 (18.3)	13.1 (6.0)	16.8 (7.6)	19.6 (8.9)	21.7 (9.9)		60 (18.3)	10.4 (4.7)	12.3 (5.6)	13.5 (6.1)		
70 (21.3)	13.5 (6.1)	19.6 (8.9)	22.5 (10.2)	24.0 (10.9)	23.2 (10.5)	70 (21.3)	11.5 (5.2)	15.0 (6.8)	17.7 (8.0)	19.6 (8.9)	20.9 (9.5)	70 (21.3)	9.4 (4.3)	11.3 (5.1)	12.5 (5.7)	13.4 (6.1)	13.8 (6.3)
80 (24.4)	11.8 (5.4)	17.2 (7.8)	22.2 (10.1)	23.4 (10.6)	21.2 (9.6)	80 (24.4)	17.0 (7.6)	13.5 (6.1)	16.1 (7.3)	18.2 (8.3)	19.3 (8.8)	80 (24.4)	8.6 (3.9)	10.4 (4.7)	11.7 (5.3)	12.6 (5.7)	13.1 (6.0)
90 (27.4)	10.6 (4.8)	15.3 (7.0)	19.9 (9.0)	22.4 (10.2)	20.6 (9.4)	90 (27.4)		12.4 (5.6)	14.8 (6.7)	16.9 (7.7)	17.9 (8.1)	90 (27.4)		9.7 (4.4)	11.0 (5.0)	11.9 (5.4)	12.4 (5.6)
100 (30.5)		13.8 (6.3)	18.0 (8.2)	21.8 (9.9)	19.9 (9.0)	100 (30.5)		11.4 (5.2)	13.7 (6.2)	15.7 (7.1)	16.7 (7.6)	100 (30.5)		9.1 (4.1)	10.4 (4.7)	11.3 (5.1)	11.8 (5.4)
120 (36.6)		11.6 (5.3)	15.1 (6.9)	17.4 (7.9)	16.6 (14.5)	120 (36.6)		10.0 (4.5)	12.0 (5.5)	13.9 (6.3)	14.8 (6.7)	120 (36.6)			9.4 (4.3)	10.3 (4.7)	10.8 (4.9)
140 (42.7)			13.0 (5.9)	13.5 (6.1)	11.1 (5.0)	140 (42.7)			10.8 (4.9)	12.4 (5.6)	13.0 (5.9)	140 (42.7)			8.7 (4.0)	9.5 (4.3)	10.0 (4.5)
160 (48.8)			11.5 (5.2)	10.6 (4.8)	8.5 (7.5)	160 (48.8)			9.8 (4.5)	10.9 (5.0)	10.0 (4.5)	160 (48.8)				8.9 (4.0)	9.3 (4.2)
180 (54.9)			9.8 (4.5)	8.3 (3.8)	5.4 (2.5)	180 (54.9)				8.6 (3.9)	7.7 (3.5)	180 (54.9)				8.4 (3.8)	8.0 (3.6)
200 (61.0)				6.6 (3.0)	3.7 (1.7)	200 (61.0)				6.7 (3.0)	5.7 (2.6)	200 (61.0)					6.0 (2.7)
220 (67.1)				4.8 (2.2)	2.2 (1.0)	220 (67.1)					3.9 (1.8)	220 (67.1)					
230 (70.1)						230 (70.1)					3.1 (1.4)	230 (70.1)					

This material is supplied for reference use only. Operator must refer to in-cab Crane Rating Manual and Operator's Manual to determine allowable crane lifting capacities and assembly and operating procedures.

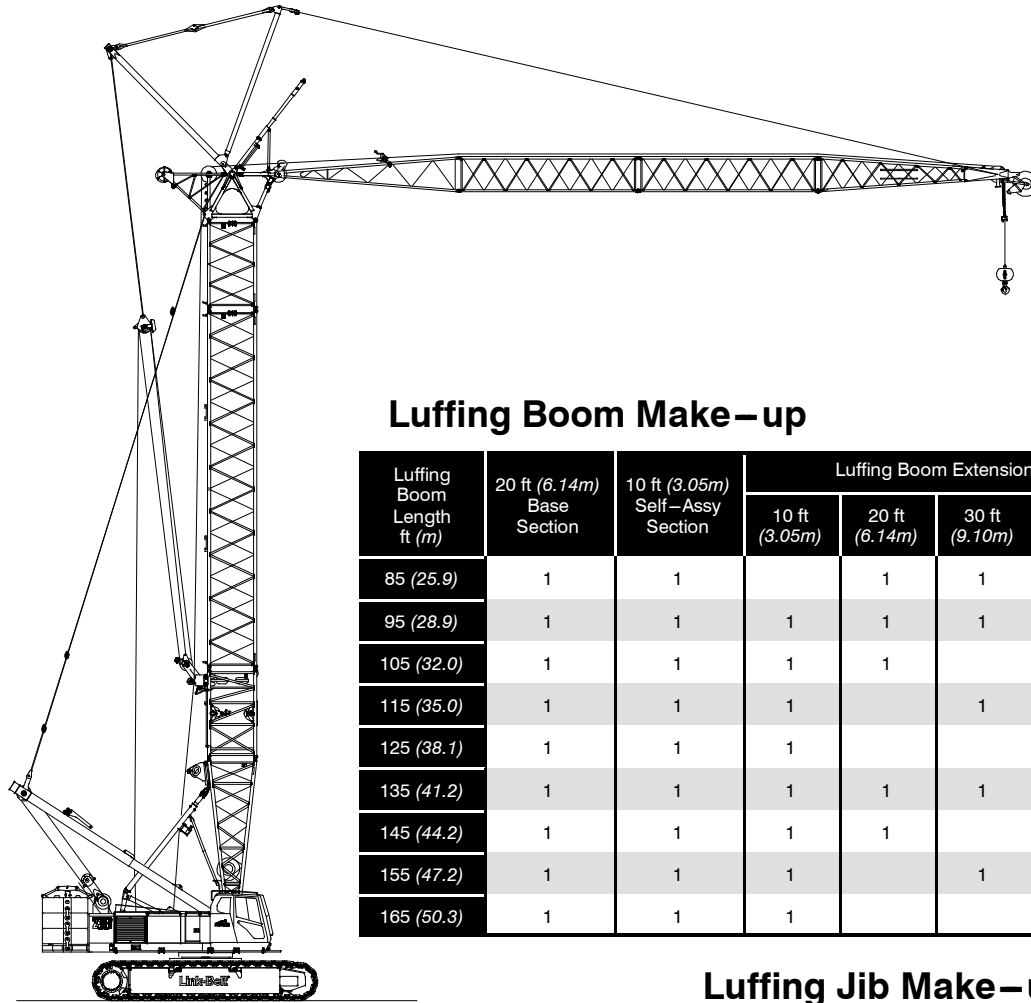
60 ft (18.3m) Offset Jib Length – 360° Rotation ABC + A Counterweight [92,000 lb (41.7mt) + 48,000 lb (21.8mt)] [All capacities are listed in kips (mt)]																	
5° Offset						15° Offset						25° Offset					
Load Radius ft (m)	Main Boom Length ft (m)					Load Radius ft (m)	Main Boom Length ft (m)					Load Radius ft (m)	Main Boom Length ft (m)				
	50 (15.2)	100 (30.5)	150 (45.7)	200 (61.0)	230 (70.1)		50 (15.2)	100 (30.5)	150 (45.7)	200 (61.0)	230 (70.1)		50 (15.2)	100 (30.5)	150 (45.7)	200 (61.0)	230 (70.1)
30 (9.1)	22.8 (10.4)					30 (9.1)	24.0 (10.9)					30 (9.1)					
40 (12.2)	22.2 (10.1)	22.6 (10.3)				40 (12.2)	23.9 (10.9)					40 (12.2)					
50 (15.2)	19.4 (8.8)	20.9 (9.5)	22.4 (10.2)			50 (15.2)	22.3 (10.1)	14.8 (6.7)				50 (15.2)	9.4 (4.3)				
60 (18.3)	15.4 (7.0)	17.6 (8.0)	21.8 (9.9)	21.7 (9.9)	20.1 (9.1)	60 (18.3)	19.0 (8.6)	12.9 (5.9)	14.7 (6.7)			60 (18.3)	8.2 (3.7)	9.3 (4.2)			
70 (21.3)	12.8 (5.8)	15.1 (6.9)	18.9 (8.6)	21.1 (9.6)	19.5 (8.9)	70 (21.3)	16.7 (7.6)	11.5 (5.2)	13.3 (6.0)	14.8 (6.7)	15.3 (7.0)	70 (21.3)	7.3 (3.3)	8.5 (3.9)	9.2 (4.2)		
80 (24.4)	10.9 (5.0)	13.3 (6.0)	16.7 (7.6)	19.8 (9.0)	18.9 (8.6)	80 (24.4)		10.3 (4.7)	12.1 (5.5)	13.4 (6.1)	14.1 (6.4)	80 (24.4)	6.6 (3.0)	7.8 (3.5)	8.6 (3.9)	9.2 (4.2)	9.4 (4.3)
90 (27.4)	9.5 (4.3)	11.8 (5.4)	14.9 (6.8)	17.8 (8.1)	18.3 (8.3)	90 (27.4)		9.4 (4.3)	11.1 (5.0)	12.4 (5.6)	13.1 (6.0)	90 (27.4)	6.0 (2.7)	7.2 (3.3)	8.1 (3.7)	8.7 (4.0)	9.0 (4.1)
100 (30.5)	8.4 (3.8)	10.6 (4.8)	13.5 (6.1)	16.2 (7.4)	17.6 (8.0)	100 (30.5)		8.6 (3.9)	10.2 (4.6)	11.6 (5.3)	12.2 (5.5)	100 (30.5)		6.7 (3.0)	7.6 (3.5)	8.2 (3.7)	8.5 (3.9)
120 (36.6)		8.9 (4.0)	11.3 (5.1)	13.6 (6.2)	14.9 (6.8)	120 (36.6)		7.4 (3.4)	8.9 (4.0)	10.1 (4.6)	10.8 (4.9)	120 (36.6)		6.0 (2.7)	6.8 (3.1)	7.4 (3.4)	7.7 (3.5)
140 (42.7)		7.6 (3.5)	9.7 (4.4)	11.8 (5.4)	12.9 (5.9)	140 (42.7)		6.6 (3.0)	7.9 (3.6)	9.0 (4.1)	9.7 (4.4)	140 (42.7)			6.2 (2.8)	6.8 (3.1)	7.1 (3.2)
160 (48.8)			8.5 (3.9)	10.3 (4.7)	10.0 (4.5)	160 (48.8)			7.1 (3.2)	8.2 (3.7)	8.8 (4.0)	160 (48.8)			5.8 (2.6)	6.3 (2.9)	6.6 (3.0)
180 (54.9)			7.6 (3.5)	8.6 (3.9)	7.7 (3.5)	180 (54.9)			6.6 (3.0)	7.5 (3.4)	8.0 (3.6)	180 (54.9)				5.9 (2.7)	6.2 (2.8)
200 (61.0)				6.8 (3.1)	5.7 (2.6)	200 (61.0)				6.9 (3.1)	6.1 (2.8)	200 (61.0)					5.9 (2.7)
220 (67.1)				5.2 (2.4)	4.0 (1.8)	220 (67.1)				5.4 (2.5)	4.3 (2.0)	220 (67.1)					
240 (73.2)						240 (73.2)					2.7 (1.2)	240 (73.2)					

This material is supplied for reference use only. Operator must refer to in-cab Crane Rating Manual and Operator's Manual to determine allowable crane lifting capacities and assembly and operating procedures.

75 ft (22.9m) Offset Jib Length – 360° Rotation ABC + A Counterweight [92,000 lb (41.7mt) + 48,000 lb (21.8mt)] [All capacities are listed in kips (mt)]																	
5° Offset						15° Offset					25° Offset						
Load Radius ft (m)	Main Boom Length ft (m)					Load Radius ft (m)	Main Boom Length ft (m)					Load Radius ft (m)	Main Boom Length ft (m)				
	50 (15.2)	100 (30.5)	150 (45.7)	200 (61.0)	230 (70.1)		50 (15.2)	100 (30.5)	150 (45.7)	200 (61.0)	230 (70.1)		50 (15.2)	100 (30.5)	150 (45.7)	200 (61.0)	230 (70.1)
40 (12.2)	17.5 (8.0)					40 (12.2)						40 (12.2)					
50 (15.2)	13.8 (6.3)	18.1 (8.2)	19.2 (8.7)			50 (15.2)	10.9 (5.0)					50 (15.2)					
60 (18.3)	11.3 (5.1)	15.1 (6.9)	18.5 (8.4)	17.9 (8.1)		60 (18.3)	9.1 (4.1)	11.0 (5.0)				60 (18.3)	7.0 (3.2)				
70 (21.3)	9.5 (4.3)	12.9 (5.9)	16.0 (7.3)	17.4 (7.9)	16.5 (7.5)	70 (21.3)	7.9 (3.6)	9.7 (4.4)	11.0 (5.0)			70 (21.3)	6.1 (2.8)	7.0 (3.2)			
80 (24.4)	8.2 (3.7)	11.3 (5.1)	14.0 (6.4)	16.5 (7.5)	16.1 (7.3)	80 (24.4)	6.9 (3.1)	8.6 (3.9)	9.9 (4.5)	11.0 (5.0)	11.5 (5.2)	80 (24.4)	5.4 (2.5)	6.3 (2.9)	6.9 (3.1)		
90 (27.4)	7.2 (3.3)	9.9 (4.5)	12.4 (5.6)	14.8 (6.7)	15.7 (7.1)	90 (27.4)	6.1 (2.8)	7.8 (3.5)	9.1 (4.1)	10.1 (4.6)	10.6 (4.8)	90 (27.4)	4.9 (2.2)	5.8 (2.6)	6.4 (2.9)	6.9 (3.1)	7.1 (3.2)
100 (30.5)	6.4 (2.9)	8.9 (4.0)	11.2 (5.1)	13.3 (6.0)	14.5 (6.6)	100 (30.5)	5.5 (2.5)	7.1 (3.2)	8.3 (3.8)	9.4 (4.3)	9.9 (4.5)	100 (30.5)	4.5 (2.0)	5.4 (2.5)	6.0 (2.7)	6.5 (3.0)	6.7 (3.0)
120 (36.6)	5.2 (2.4)	7.3 (3.3)	9.3 (4.2)	11.1 (5.0)	12.2 (5.5)	120 (36.6)		6.0 (2.7)	7.1 (3.2)	8.1 (3.7)	8.6 (3.9)	120 (36.6)		4.7 (2.1)	5.3 (2.4)	5.8 (2.6)	6.0 (2.7)
140 (42.7)		6.2 (2.8)	7.9 (3.6)	9.5 (4.3)	10.5 (4.8)	140 (42.7)		5.2 (2.4)	6.3 (2.9)	7.2 (3.3)	7.7 (3.5)	140 (42.7)		4.2 (1.9)	4.8 (2.2)	5.2 (2.4)	5.5 (2.5)
160 (48.8)		5.4 (2.5)	6.8 (3.1)	8.3 (3.8)	9.1 (4.1)	160 (48.8)			5.6 (2.5)	6.4 (2.9)	6.9 (3.1)	160 (48.8)			4.3 (2.0)	4.8 (2.2)	5.0 (2.3)
180 (54.9)			6.0 (2.7)	7.3 (3.3)	7.9 (3.6)	180 (54.9)			5.0 (2.3)	5.8 (2.6)	6.2 (2.8)	180 (54.9)			4.0 (1.8)	4.4 (2.0)	4.6 (2.1)
200 (61.0)			5.4 (2.5)	6.2 (2.8)	6.0 (2.7)	200 (61.0)				5.3 (2.4)	5.7 (2.6)	200 (61.0)				4.1 (1.9)	4.3 (2.0)
220 (67.1)				4.7 (2.1)	4.2 (1.9)	220 (67.1)				4.9 (2.2)	4.6 (2.1)	220 (67.1)					4.1 (1.9)
240 (73.2)				3.3 (1.5)	2.7 (1.2)	240 (73.2)					3.1 (1.4)	240 (73.2)					
250 (76.2)					2.1 (1.0)	250 (76.2)					2.4 (1.1)	250 (76.2)					

This material is supplied for reference use only. Operator must refer to in-cab Crane Rating Manual and Operator's Manual to determine allowable crane lifting capacities and assembly and operating procedures.

Luffing Attachment Make-up



Luffing Boom Make-up

Luffing Boom Length ft (m)	20 ft (6.14m) Base Section	10 ft (3.05m) Self-Assy Section	Luffing Boom Extensions				5 ft (1.52m) Top Section
			10 ft (3.05m)	20 ft (6.14m)	30 ft (9.10m)	40 ft (12.19m)	
85 (25.9)	1	1		1	1		1
95 (28.9)	1	1	1	1	1		1
105 (32.0)	1	1	1	1		1	1
115 (35.0)	1	1	1		1	1	1
125 (38.1)	1	1	1			2	1
135 (41.2)	1	1	1	1	1	1	1
145 (44.2)	1	1	1	1		2	1
155 (47.2)	1	1	1		1	2	1
165 (50.3)	1	1	1			3	1

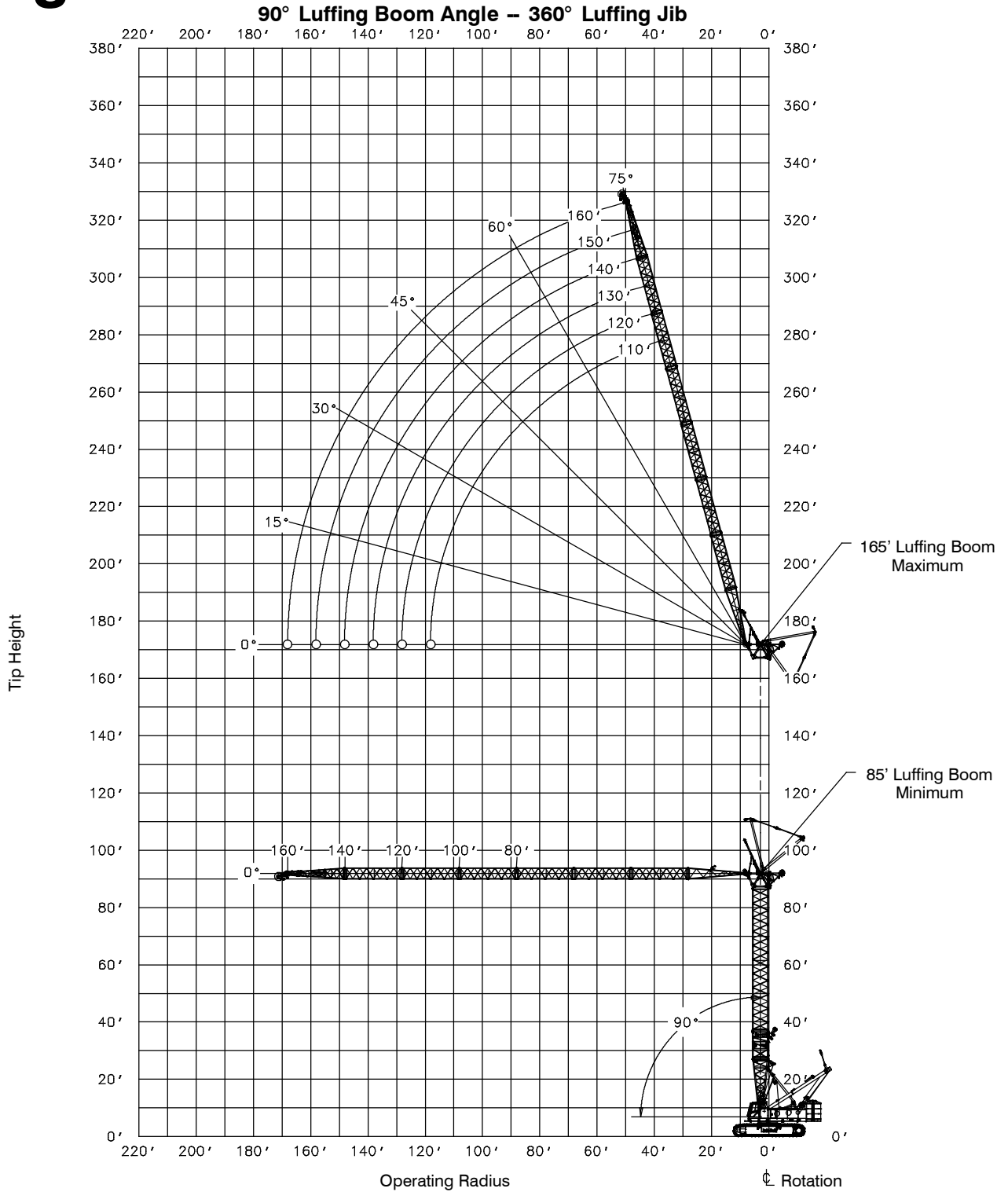
Luffing Jib Make-up

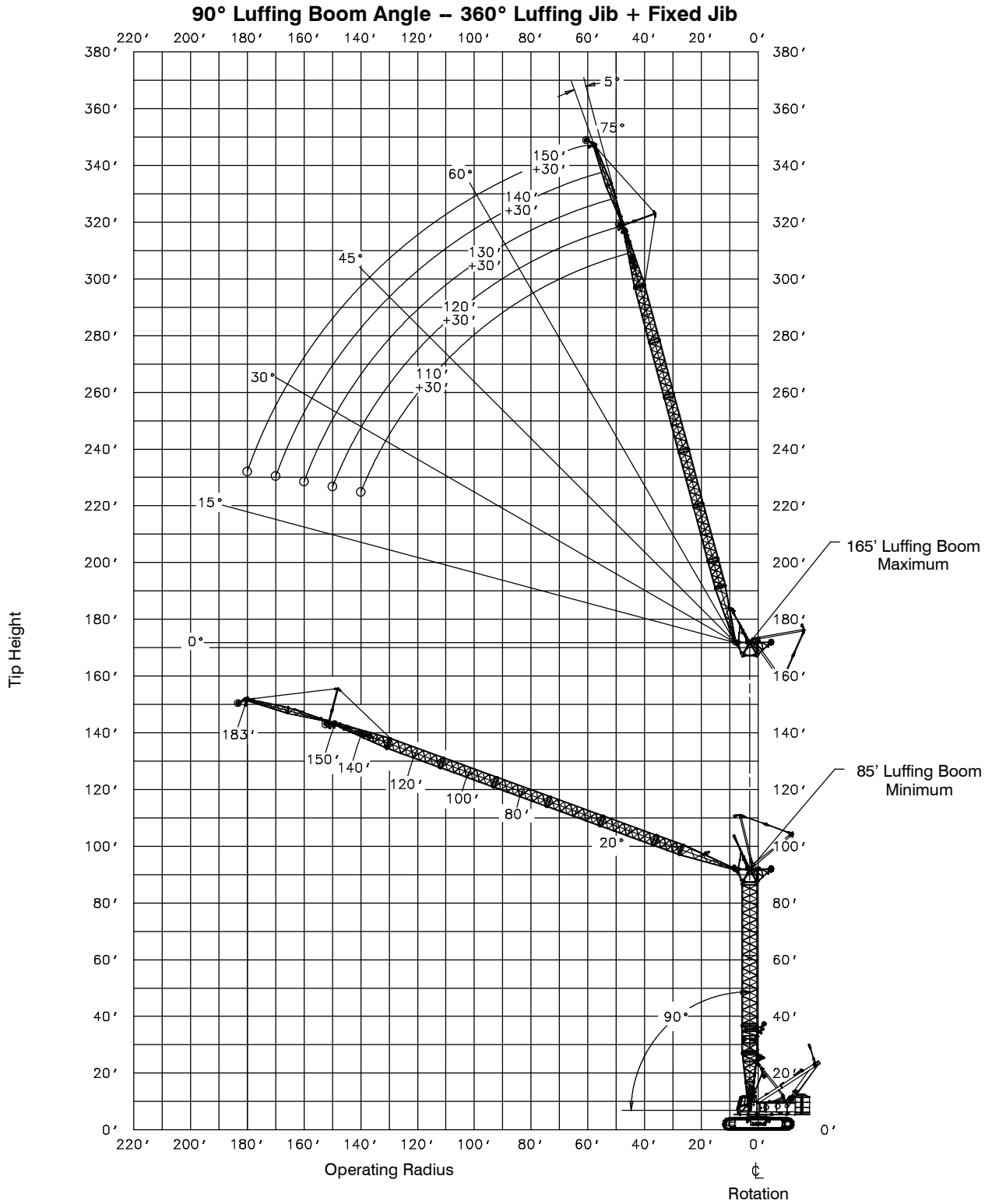
Luffing Jib Length ft (m)	20 ft (6.14m) Base Section	Luffing Jib Extensions			20 ft (6.14m) Top Section
		10 ft (3.05m)	20 ft (6.14m)	30 ft (9.10m)	
80 (24.4)	1	1		1	1
90 (27.4)	1		1	1	1
100 (30.5)	1	1	1	1	1
110 (33.5)	1	1		2	1
120 (36.6)	1		1	2	1
130 (39.6)	1	1	1	2	1
140 (42.7)	1	1		3	1
150 (45.7)	1		1	3	1
160 (48.8)	1	1	1	3	1

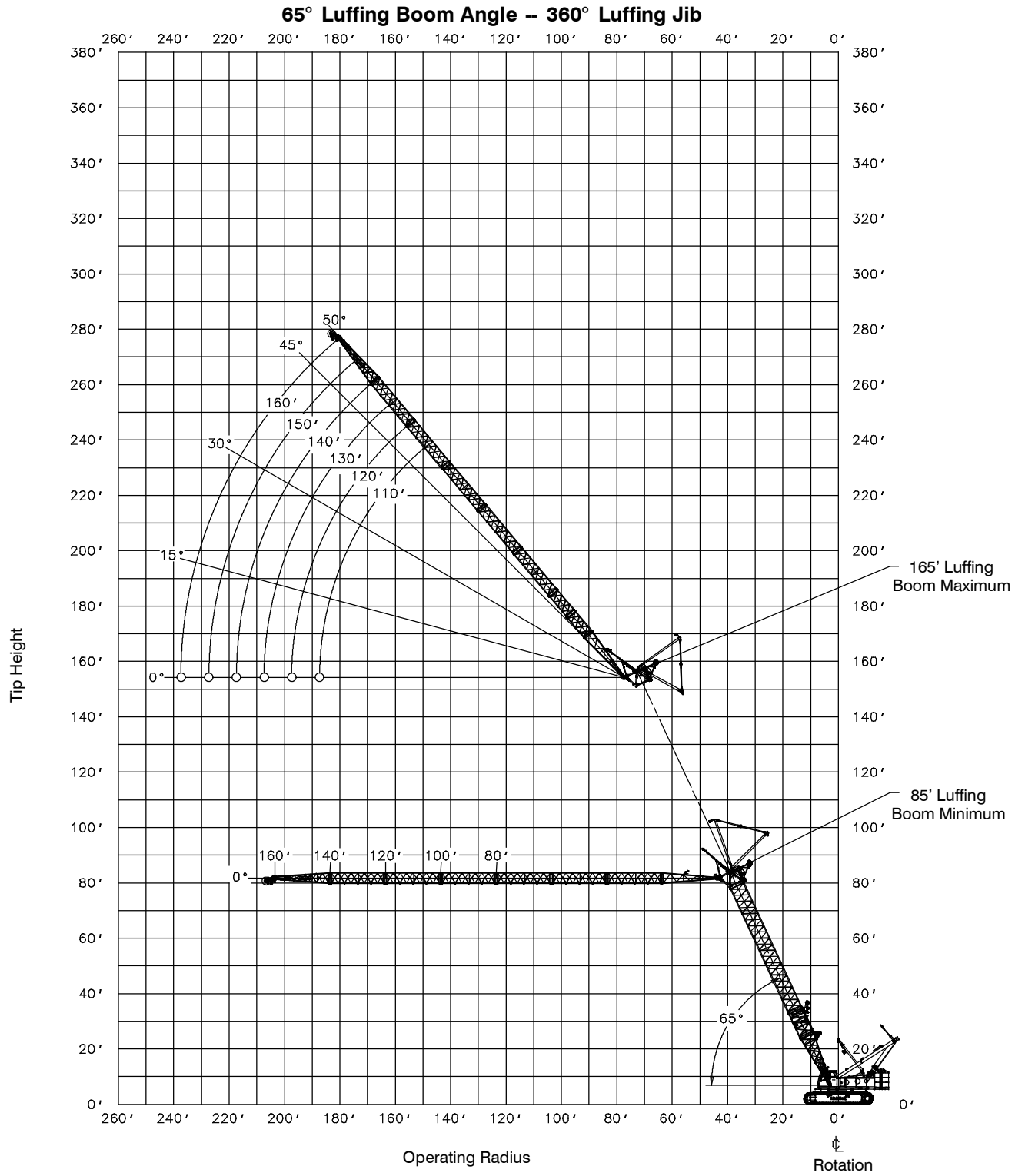
Notes:

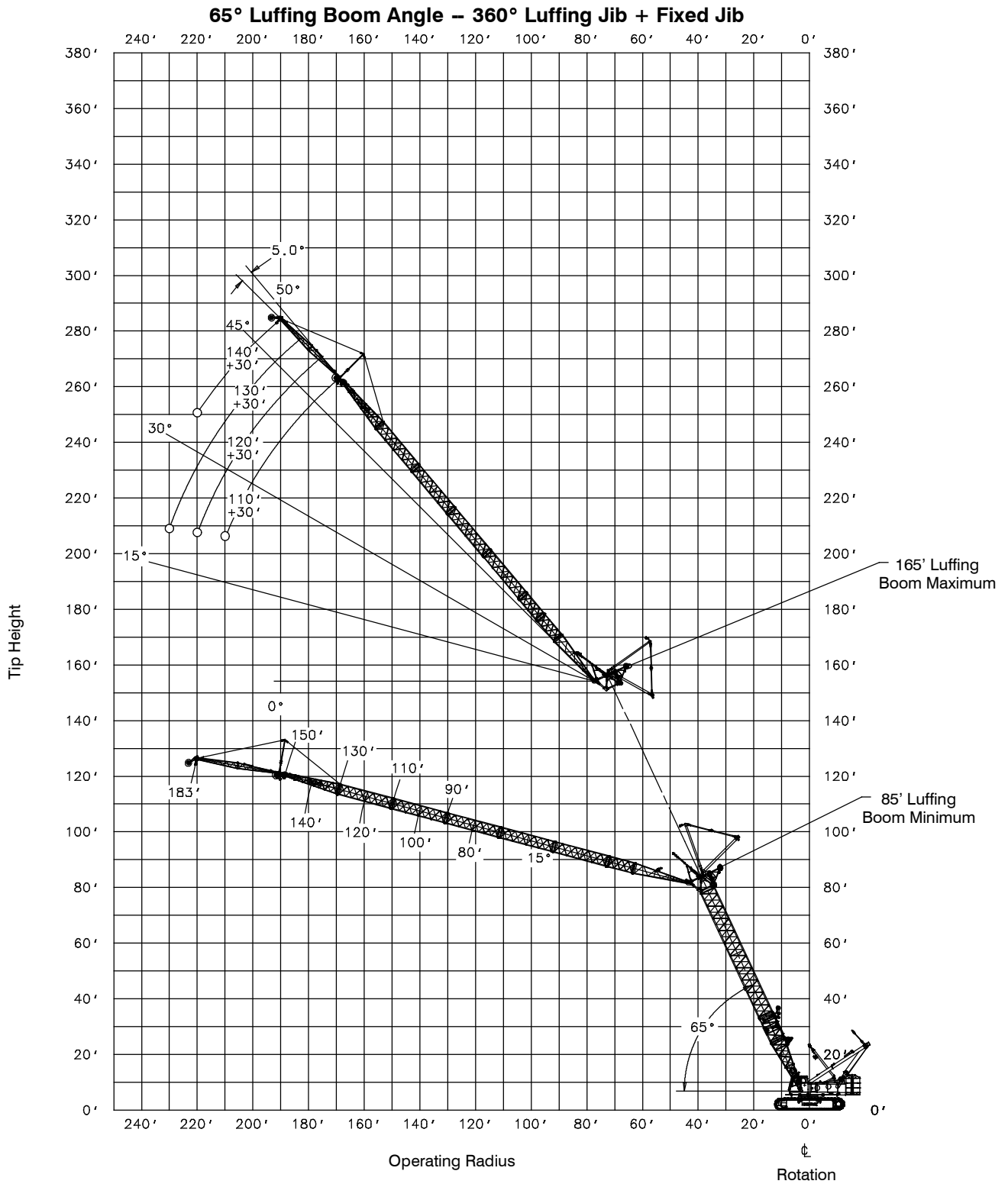
- Capacities shown are in kips/metric tons (1 kip = 1,000 lb / 1 metric ton = 0.45 kips) and are not more than 75% of the tipping loads with the crane standing level on a firm supporting surface. A deduction must be made from these capacities for the weight of the hook block, hook ball, sling, grapple, load weighing devices, etc. When lifting from the luffing jib with the fixed jib installed, reduce capacities by values shown in the Crane Rating Manual. See Operator's Manual for all limitations when raising or lowering attachment.
- The capacities in the shaded areas are based on structural strength. The capacities in the non-shaded areas are based on stability ratings.
- All luffing attachment combinations require the maximum counterweight combination "ABC+A".
- Load ratings are based on freely suspended loads and make no allowances for such factors as the effect of the wind on load, ground conditions, and operating speeds. The operator shall therefore reduce load ratings in order to take these conditions into account. Refer to the Crane Rating Manual for Wind Speed Restrictions.
- Refer to the Crane Rating Manual for allowable attachment liftoff lengths and allowable working lengths at the various luffing boom angles.
- The fixed jib has only one length [30 ft (9.14m)] and only one offset with respect to the luffing jib (5°).
- These capacities are in compliance with ASME/ANSI B30.5 at date of manufacture.
- These capacities apply only to the crane as originally manufactured and normally equipped by Link-Belt Construction Equipment Company.

Luffing Attachment Working Range Diagrams









Luffing Attachment Load Charts

85 ft (25.9m) Luffing Boom Length – 360° Rotation ABC + A Counterweight [92,000 lb (41.7mt) + 48,000 lb (21.8mt)] [All capacities are listed in kips (mt)]													
80 ft (24.4m) Luffing Jib Length							100 ft (30.5m) Luffing Jib Length						
Load Radius ft (m)	Luffing Boom Angle						Load Radius ft (m)	Luffing Boom Angle					
	90°	85°	80°	75°	70°	65°		90°	85°	80°	75°	70°	65°
29 (8.8)	53.9 (24.4)						29 (8.8)						
30 (9.1)	52.7 (23.9)						30 (9.1)						
40 (12.2)	43.8 (19.9)						40 (12.2)	40.4 (18.3)					
50 (15.2)	38.5 (17.5)	41.3 (18.7)					50 (15.2)	34.8 (15.8)	38.3 (17.4)				
60 (18.3)	35.0 (15.9)	36.4 (16.5)	39.2 (17.8)				60 (18.3)	31.0 (14.1)	33.1 (15.0)				
70 (21.3)	32.9 (14.9)	33.2 (15.1)	34.5 (15.6)	37.2 (16.9)			70 (21.3)	28.2 (12.8)	29.4 (13.3)	31.5 (14.3)			
80 (24.4)	26.7 (12.1)	31.4 (14.2)	31.7 (14.4)	32.9 (14.9)			80 (24.4)	26.3 (11.9)	26.9 (12.2)	28.0 (12.7)	30.0 (13.6)		
90 (27.4)		25.6 (11.6)	29.9 (13.6)	28.9 (13.1)	27.9 (12.7)		90 (27.4)	23.8 (10.8)	25.1 (11.4)	25.7 (11.7)	26.9 (12.2)		
100 (30.5)			24.4 (11.1)	25.4 (11.5)	24.5 (11.1)	23.6 (10.7)	100 (30.5)	19.8 (9.0)	23.2 (10.5)	24.1 (10.9)	24.6 (11.2)	24.0 (10.9)	
110 (33.5)				22.4 (10.2)	21.8 (9.9)	21.1 (9.6)	110 (33.5)		19.2 (8.7)	22.5 (10.2)	22.2 (10.1)	21.4 (9.7)	20.6 (9.3)
120 (36.6)						18.8 (8.5)	120 (36.6)			18.4 (8.3)	19.9 (9.0)	19.1 (8.7)	18.4 (8.3)
130 (39.6)							130 (39.6)				16.7 (7.6)	17.2 (7.8)	16.5 (7.5)
140 (42.7)							140 (42.7)						15.0 (6.8)

This material is supplied for reference use only. Operator must refer to in-cab Crane Rating Manual and Operator's Manual to determine allowable crane lifting capacities and assembly and operating procedures.

85 ft (25.9m) Luffing Boom Length – 360° Rotation ABC + A Counterweight [92,000 lb (41.7mt) + 48,000 lb (21.8mt)] [All capacities are listed in kips (mt)]													
130 ft (39.6m) Luffing Jib Length							160 ft (48.8m) Luffing Jib Length						
Load Radius ft (m)	Luffing Boom Angle						Load Radius ft (m)	Luffing Boom Angle					
	90°	85°	80°	75°	70°	65°		90°	85°	80°	75°	70°	65°
50 (15.2)	30.4 (13.8)						50 (15.2)	26.0 (11.8)					
60 (18.3)	26.6 (12.1)	28.9 (13.1)					60 (18.3)	22.2 (10.1)					
70 (21.3)	23.8 (10.8)	25.5 (11.6)					70 (21.3)	19.8 (9.0)	21.2 (9.6)				
80 (24.4)	21.2 (9.6)	22.1 (10.0)	24.4 (11.1)				80 (24.4)	17.8 (8.1)	19.0 (8.6)				
90 (27.4)	19.7 (8.9)	20.3 (9.2)	21.3 (9.7)				90 (27.4)	16.3 (7.4)	17.1 (7.8)	18.2 (8.3)			
100 (30.5)	18.5 (8.4)	18.8 (8.5)	19.4 (8.8)	20.4 (9.3)			100 (30.5)	15.1 (6.8)	15.6 (7.1)	16.5 (7.5)			
110 (33.5)	17.7 (8.0)	17.7 (8.0)	18.0 (8.2)	18.7 (8.5)			110 (33.5)	14.0 (6.4)	14.4 (6.5)	15.0 (6.8)	15.9 (7.2)		
120 (36.6)	15.4 (7.0)	16.9 (7.7)	17.0 (7.7)	17.3 (7.8)	18.0 (8.2)		120 (36.6)	13.2 (6.0)	13.4 (6.1)	13.8 (6.3)	14.5 (6.6)		
130 (39.6)	12.6 (5.7)	15.2 (6.9)	16.3 (7.4)	16.3 (7.4)	16.5 (7.5)	15.8 (7.2)	130 (39.6)	12.6 (5.7)	12.6 (5.7)	12.9 (5.9)	13.3 (6.0)	13.9 (6.3)	
140 (42.7)		12.4 (5.6)	14.9 (6.8)	15.6 (7.1)	14.9 (6.8)	14.3 (6.5)	140 (42.7)	11.7 (5.3)	12.0 (5.4)	12.2 (5.5)	12.4 (5.6)	12.9 (5.9)	
150 (45.7)			12.0 (5.4)	14.2 (6.4)	13.6 (6.2)	12.9 (5.9)	150 (45.7)	9.9 (4.5)	11.6 (5.3)	11.6 (5.3)	11.7 (5.3)	11.9 (5.4)	12.2 (5.5)
160 (48.8)				11.0 (5.0)	12.4 (5.6)	11.8 (5.4)	160 (48.8)	8.1 (3.7)	9.8 (4.4)	11.2 (5.1)	11.2 (5.1)	11.3 (5.1)	11.1 (5.0)
170 (51.8)						10.8 (4.9)	170 (51.8)		8.0 (3.6)	9.7 (4.4)	10.8 (4.9)	10.7 (4.9)	10.1 (4.6)
180 (54.9)							180 (54.9)			7.8 (3.5)	9.5 (4.3)	9.7 (4.4)	9.2 (4.2)
190 (57.9)							190 (57.9)				7.2 (3.3)	8.9 (4.0)	8.4 (3.8)
200 (61.0)							200 (61.0)						7.7 (3.5)

This material is supplied for reference use only. Operator must refer to in-cab Crane Rating Manual and Operator's Manual to determine allowable crane lifting capacities and assembly and operating procedures.

105 ft (30.0m) Luffing Boom Length – 360° Rotation ABC + A Counterweight [92,000 lb (41.7mt) + 48,000 lb (21.8mt)] [All capacities are listed in kips (mt)]													
80 ft (24.4m) Luffing Jib Length							100 ft (30.5m) Luffing Jib Length						
Load Radius ft (m)	Luffing Boom Angle						Load Radius ft (m)	Luffing Boom Angle					
	90°	85°	80°	75°	70°	65°		90°	85°	80°	75°	70°	65°
29 (8.8)	52.2 (23.7)						29 (8.8)						
30 (9.1)	51.1 (23.2)						30 (9.1)						
40 (12.2)	42.7 (19.4)						40 (12.2)	39.2 (17.8)					
50 (15.2)	37.8 (17.1)	41.5 (18.8)					50 (15.2)	33.9 (15.4)					
60 (18.3)	34.5 (15.6)	36.4 (16.5)	40.3 (18.3)				60 (18.3)	30.3 (13.7)	33.0 (15.0)				
70 (21.3)	32.6 (14.8)	33.2 (15.1)	35.3 (16.0)				70 (21.3)	27.7 (12.6)	29.3 (13.3)	32.2 (14.6)			
80 (24.4)	26.6 (12.1)	31.3 (14.2)	32.1 (14.6)	32.7 (14.8)			80 (24.4)	25.9 (11.7)	26.8 (12.2)	28.5 (12.9)			
90 (27.4)		26.8 (12.2)	29.5 (13.4)	28.2 (12.8)	27.1 (12.3)		90 (27.4)	23.8 (10.8)	25.0 (11.3)	26.0 (11.8)	27.7 (12.6)		
100 (30.5)			25.9 (11.7)	24.7 (11.2)	23.6 (10.7)		100 (30.5)	19.8 (9.0)	23.9 (10.8)	24.2 (11.0)	24.2 (11.0)		
110 (33.5)				22.1 (10.0)	21.1 (9.6)	20.1 (9.1)	110 (33.5)		20.0 (9.1)	22.5 (10.2)	21.6 (9.8)	20.6 (9.3)	
120 (36.6)					18.9 (8.6)	18.0 (8.2)	120 (36.6)			20.2 (9.2)	19.4 (8.8)	18.4 (8.3)	17.5 (7.9)
130 (39.6)						16.2 (7.3)	130 (39.6)				17.4 (7.9)	16.6 (7.5)	15.7 (7.1)
140 (42.7)							140 (42.7)					15.0 (6.8)	14.2 (6.4)
150 (45.7)							150 (45.7)						12.9 (5.9)

This material is supplied for reference use only. Operator must refer to in-cab Crane Rating Manual and Operator's Manual to determine allowable crane lifting capacities and assembly and operating procedures.

105 ft (30.0m) Luffing Boom Length – 360° Rotation ABC + A Counterweight [92,000 lb (41.7mt) + 48,000 lb (21.8mt)] [All capacities are listed in kips (mt)]													
130 ft (39.6m) Luffing Jib Length							160 ft (48.8m) Luffing Jib Length						
Load Radius ft (m)	Luffing Boom Angle						Load Radius ft (m)	Luffing Boom Angle					
	90°	85°	80°	75°	70°	65°		90°	85°	80°	75°	70°	65°
50 (15.2)	29.3 (13.3)						50 (15.2)	24.8 (11.2)					
60 (18.3)	25.8 (11.7)						60 (18.3)	21.3 (9.7)					
70 (21.3)	23.1 (10.5)	25.2 (11.4)					70 (21.3)	19.0 (8.6)					
80 (24.4)	20.7 (9.4)	21.9 (9.9)					80 (24.4)	17.2 (7.8)	18.7 (8.5)				
90 (27.4)	19.2 (8.7)	20.1 (9.1)	21.5 (9.8)				90 (27.4)	15.8 (7.2)	16.9 (7.7)				
100 (30.5)	18.1 (8.2)	18.6 (8.4)	19.5 (8.8)	21.0 (9.5)			100 (30.5)	14.6 (6.6)	15.3 (6.9)	16.5 (7.5)			
110 (33.5)	17.4 (7.9)	17.5 (7.9)	18.1 (8.2)	19.1 (8.7)			110 (33.5)	13.6 (6.2)	14.2 (6.4)	15.1 (6.8)			
120 (36.6)	15.4 (7.0)	16.7 (7.6)	17.0 (7.7)	17.6 (7.3)	17.6 (7.3)		120 (36.6)	12.8 (5.8)	13.2 (6.0)	13.8 (6.3)	14.8 (6.7)		
130 (39.6)	12.6 (5.7)	15.7 (7.1)	16.2 (7.3)	16.5 (7.5)	15.8 (7.2)		130 (39.6)	12.2 (5.5)	12.4 (5.6)	12.8 (5.8)	13.5 (6.1)		
140 (42.7)		12.9 (5.9)	15.8 (7.2)	15.1 (6.8)	14.3 (6.5)	13.5 (6.1)	140 (42.7)	11.7 (5.3)	11.8 (5.4)	12.1 (5.5)	12.5 (5.7)	13.3 (6.0)	
150 (45.7)			13.1 (5.9)	13.8 (6.3)	13.0 (5.9)	12.2 (5.5)	150 (45.7)	9.8 (4.4)	11.4 (5.2)	11.4 (5.2)	11.8 (5.4)	12.2 (5.5)	
160 (48.8)				12.6 (5.7)	11.8 (5.4)	11.1 (5.0)	160 (48.8)	8.1 (3.7)	10.1 (4.6)	11.0 (5.0)	11.1 (5.0)	11.1 (5.0)	10.3 (4.7)
170 (51.8)					10.8 (4.9)	10.1 (4.6)	170 (51.8)		8.3 (3.8)	10.3 (4.7)	10.7 (4.9)	10.1 (4.6)	9.4 (4.3)
180 (54.9)						9.3 (4.2)	180 (54.9)			8.5 (3.9)	9.9 (4.5)	9.2 (4.2)	8.6 (3.9)
190 (57.9)							190 (57.9)				8.6 (3.9)	8.4 (3.8)	7.8 (3.5)
200 (61.0)							200 (61.0)					7.7 (3.5)	7.1 (3.2)
210 (64.0)							210 (64.0)						6.5 (2.9)

This material is supplied for reference use only. Operator must refer to in-cab Crane Rating Manual and Operator's Manual to determine allowable crane lifting capacities and assembly and operating procedures.

135 ft (41.1m) Luffing Boom Length – 360° Rotation ABC + A Counterweight [92,000 lb (41.7mt) + 48,000 lb (21.8mt)] [All capacities are listed in kips (mt)]													
80 ft (24.4m) Luffing Jib Length							100 ft (30.5m) Luffing Jib Length						
Load Radius ft (m)	Luffing Boom Angle						Load Radius ft (m)	Luffing Boom Angle					
	90°	85°	80°	75°	70°	65°		90°	85°	80°	75°	70°	65°
29 (8.8)	47.5 (21.5)						29 (8.8)						
30 (9.1)	46.9 (21.3)						30 (9.1)						
40 (12.2)	40.6 (18.4)						40 (12.2)	36.8 (16.7)					
50 (15.2)	36.1 (16.4)	41.0 (18.6)					50 (15.2)	32.1 (14.6)					
60 (18.3)	33.1 (15.0)	35.8 (16.2)					60 (18.3)	28.8 (13.1)	32.4 (14.7)				
70 (21.3)	30.6 (13.9)	32.6 (14.8)	36.1 (16.4)				70 (21.3)	26.4 (12.0)	28.7 (13.0)				
80 (24.4)	26.6 (12.1)	30.2 (13.7)	32.3 (14.7)				80 (24.4)	24.8 (11.2)	26.1 (11.8)	28.9 (13.1)			
90 (27.4)		27.7 (12.6)	28.7 (13.0)	27.0 (12.2)			90 (27.4)	23.1 (10.5)	24.3 (11.0)	26.0 (11.8)			
100 (30.5)		19.2 (8.7)	25.2 (11.4)	23.7 (10.8)	22.4 (10.2)		100 (30.5)	19.7 (8.9)	22.9 (10.4)	24.0 (10.9)	23.1 (10.5)		
110 (33.5)			22.3 (10.1)	21.2 (9.6)	19.8 (9.0)		110 (33.5)		21.1 (9.6)	22.1 (10.0)	20.7 (9.4)		
120 (36.6)				18.9 (8.6)	17.7 (8.0)	16.5 (7.5)	120 (36.6)		14.5 (6.6)	19.8 (9.0)	18.5 (8.4)	17.2 (7.8)	
130 (39.6)					15.9 (7.2)	14.9 (6.8)	130 (39.6)			17.6 (8.0)	16.6 (7.5)	15.5 (7.0)	14.3 (6.5)
140 (42.7)						13.4 (6.1)	140 (42.7)				15.0 (6.8)	14.0 (6.4)	12.9 (5.9)
150 (45.7)							150 (45.7)					12.7 (5.8)	11.7 (5.3)
160 (48.8)							160 (48.8)						10.7 (4.9)

This material is supplied for reference use only. Operator must refer to in-cab Crane Rating Manual and Operator's Manual to determine allowable crane lifting capacities and assembly and operating procedures.

135 ft (41.1m) Luffing Boom Length – 360° Rotation ABC + A Counterweight [92,000 lb (41.7mt) + 48,000 lb (21.8mt)] [All capacities are listed in kips (mt)]													
130 ft (39.6m) Luffing Jib Length							160 ft (48.8m) Luffing Jib Length						
Load Radius ft (m)	Luffing Boom Angle						Load Radius ft (m)	Luffing Boom Angle					
	90°	85°	80°	75°	70°	65°		90°	85°	80°	75°	70°	65°
50 (15.2)	27.3 (12.4)						50 (15.2)	21.1 (9.6)					
60 (18.3)	24.1 (10.9)						60 (18.3)	19.7 (8.9)					
70 (21.3)	21.3 (9.7)	24.4 (11.1)					70 (21.3)	17.6 (8.0)					
80 (24.4)	19.6 (8.9)	21.3 (9.7)					80 (24.4)	16.0 (7.3)	17.9 (8.1)				
90 (27.4)	18.2 (8.3)	19.4 (8.8)	21.5 (9.8)				90 (27.4)	14.7 (6.7)	16.2 (7.3)				
100 (30.5)	17.2 (7.8)	18.0 (8.2)	19.5 (8.8)				100 (30.5)	13.6 (6.2)	14.7 (6.7)	16.3 (7.4)			
110 (33.5)	16.5 (7.5)	16.9 (7.7)	17.9 (8.1)	19.6 (8.9)			110 (33.5)	12.7 (5.8)	13.5 (6.1)	14.9 (6.8)			
120 (36.6)	15.4 (7.0)	16.1 (7.3)	16.7 (7.6)	17.7 (8.0)			120 (36.6)	12.0 (5.4)	12.6 (5.7)	13.6 (6.2)			
130 (39.6)	12.6 (5.7)	15.4 (7.0)	15.8 (7.2)	15.9 (7.2)	14.6 (6.6)		130 (39.6)	11.4 (5.2)	11.8 (5.4)	12.5 (5.7)	13.7 (6.2)		
140 (42.7)		13.6 (6.2)	15.2 (6.9)	14.3 (6.5)	13.2 (6.0)		140 (42.7)	11.0 (5.0)	11.2 (5.1)	11.7 (5.3)	12.6 (5.7)		
150 (45.7)		9.6 (4.4)	14.1 (6.4)	13.0 (5.9)	12.0 (5.4)	10.9 (4.9)	150 (45.7)	9.8 (4.4)	10.7 (4.9)	11.1 (5.0)	11.7 (5.3)	11.2 (5.1)	
160 (48.8)			11.5 (5.2)	11.9 (5.4)	10.9 (4.9)	9.9 (4.5)	160 (48.8)	8.0 (3.6)	10.3 (4.7)	10.6 (4.8)	11.0 (5.0)	10.1 (4.6)	
170 (51.8)				10.8 (4.9)	9.9 (4.5)	9.0 (4.1)	170 (51.8)		8.7 (3.9)	10.2 (4.6)	10.1 (4.6)	9.2 (4.2)	8.2 (3.7)
180 (54.9)					9.1 (4.1)	8.2 (3.7)	180 (54.9)		6.2 (2.8)	9.4 (4.3)	9.3 (4.2)	8.3 (3.8)	7.4 (3.4)
190 (57.9)						7.5 (3.4)	190 (57.9)			7.4 (3.4)	8.5 (3.9)	7.6 (3.4)	6.7 (3.0)
200 (61.0)							200 (61.0)				7.8 (3.5)	6.9 (3.1)	6.0 (2.7)
210 (64.0)							210 (64.0)					6.4 (2.9)	5.3 (2.4)
220 (67.1)							220 (67.1)						4.8 (2.2)

This material is supplied for reference use only. Operator must refer to in-cab Crane Rating Manual and Operator's Manual to determine allowable crane lifting capacities and assembly and operating procedures.

165 ft (50.3m) Luffing Boom Length – 360° Rotation ABC + A Counterweight [92,000 lb (41.7mt) + 48,000 lb (21.8mt)] [All capacities are listed in kips (mt)]													
110 ft (33.5m) Luffing Jib Length							130 ft (39.6m) Luffing Jib Length						
Load Radius ft (m)	Luffing Boom Angle						Load Radius ft (m)	Luffing Boom Angle					
	90°	85°	80°	75°	70°	65°		90°	85°	80°	75°	70°	65°
37 (11.3)	28.9 (13.1)						37 (11.3)						
40 (12.2)	28.2 (12.8)						40 (12.2)						
50 (15.2)	25.6 (11.6)						50 (15.2)	21.8 (9.9)					
60 (18.3)	23.3 (10.6)	25.6 (11.6)					60 (18.3)	20.4 (9.3)					
70 (21.3)	21.2 (9.6)	23.4 (10.6)					70 (21.3)	18.7 (8.5)	20.5 (9.3)				
80 (24.4)	19.5 (8.8)	21.3 (9.7)					80 (24.4)	17.2 (7.8)	18.8 (8.5)				
90 (27.4)	18.1 (8.2)	19.7 (8.9)	21.5 (9.8)				90 (27.4)	15.9 (7.2)	17.4 (7.9)				
100 (30.5)	16.8 (7.6)	18.2 (8.3)	19.9 (9.0)				100 (30.5)	14.7 (6.7)	16.1 (7.3)	17.6 (8.0)			
110 (33.5)	15.7 (7.1)	16.9 (7.7)	18.4 (8.3)	19.0 (8.6)			110 (33.5)	13.7 (6.2)	14.9 (6.8)	16.3 (7.4)			
120 (36.6)		15.8 (7.2)	17.1 (7.8)	17.2 (7.8)			120 (36.6)	12.8 (5.8)	13.8 (6.3)	15.1 (6.8)	15.5 (7.0)		
130 (39.6)		13.6 (6.2)	15.7 (7.1)	15.4 (7.0)	13.9 (6.3)		130 (39.6)	12.0 (5.4)	12.9 (5.9)	14.1 (6.4)	14.6 (6.6)		
140 (42.7)			13.7 (6.2)	13.9 (6.3)	12.5 (5.7)		140 (42.7)		12.1 (5.5)	13.1 (5.9)	13.4 (6.1)	11.9 (5.4)	
150 (45.7)				12.6 (5.7)	11.3 (5.1)	10.1 (4.6)	150 (45.7)		10.3 (4.7)	11.9 (5.4)	12.2 (5.5)	10.8 (4.9)	
160 (48.8)				11.1 (5.0)	10.3 (4.7)	9.0 (4.1)	160 (48.8)			10.4 (4.7)	11.1 (5.0)	9.8 (4.4)	
170 (51.8)					9.4 (4.3)	8.0 (3.6)	170 (51.8)				10.1 (4.6)	8.9 (4.0)	7.4 (3.4)
180 (54.9)						7.2 (3.3)	180 (54.9)				8.5 (3.9)	8.1 (3.7)	6.5 (2.9)
190 (57.9)							190 (57.9)					7.3 (3.3)	5.8 (2.6)
200 (61.0)							200 (61.0)						5.2 (2.4)

This material is supplied for reference use only. Operator must refer to in-cab Crane Rating Manual and Operator’s Manual to determine allowable crane lifting capacities and assembly and operating procedures.

165 ft (50.3m) Luffing Boom Length – 360° Rotation ABC + A Counterweight [92,000 lb (41.7mt) + 48,000 lb (21.8mt)] [All capacities are listed in kips (mt)]													
140 ft (42.76m) Luffing Jib Length							160 ft (48.8m) Luffing Jib Length						
Load Radius ft (m)	Luffing Boom Angle						Load Radius ft (m)	Luffing Boom Angle					
	90°	85°	80°	75°	70°	65°		90°	85°	80°	75°	70°	65°
50 (15.2)	19.4 (8.8)						50 (15.2)	14.8 (6.7)					
60 (18.3)	18.4 (8.3)						60 (18.3)	14.2 (6.4)					
70 (21.3)	17.2 (7.8)	19.0 (8.6)					70 (21.3)	13.4 (6.1)					
80 (24.4)	16.0 (7.3)	17.6 (8.0)					80 (24.4)	12.5 (5.7)	15.2 (6.9)				
90 (27.4)	14.8 (6.7)	16.2 (7.3)					90 (27.4)	11.7 (5.3)	14.0 (6.4)				
100 (30.5)	13.7 (6.2)	15.0 (6.8)	16.5 (7.5)				100 (30.5)	10.8 (4.9)	12.9 (5.6)				
110 (33.5)	12.6 (5.7)	13.9 (6.3)	15.3 (6.9)				110 (33.5)	9.9 (4.5)	12.0 (5.4)	13.2 (6.0)			
120 (36.6)	11.7 (5.3)	12.9 (5.9)	14.2 (6.4)				120 (36.6)	9.1 (4.1)	11.1 (5.0)	12.2 (5.5)			
130 (39.6)	10.9 (4.9)	12.0 (5.4)	13.2 (6.0)	13.5 (6.1)			130 (39.6)	8.4 (3.8)	10.3 (4.7)	11.4 (5.2)			
140 (42.7)	10.3 (4.7)	11.2 (5.1)	12.3 (5.6)	12.8 (5.8)			140 (42.7)	7.7 (3.5)	9.6 (4.4)	10.6 (4.8)	10.8 (4.9)		
150 (45.7)		10.5 (4.8)	11.4 (5.2)	11.9 (5.4)	10.5 (4.8)		150 (45.7)	7.2 (3.3)	8.9 (4.0)	9.8 (4.4)	10.2 (4.6)		
160 (48.8)		9.0 (4.1)	10.3 (4.7)	10.8 (4.9)	9.5 (4.3)		160 (48.8)	6.9 (3.1)	8.3 (3.8)	9.2 (4.2)	9.5 (4.3)	8.9 (4.0)	
170 (51.8)			9.0 (4.1)	9.8 (4.4)	8.6 (3.9)	7.0 (3.2)	170 (51.8)		7.8 (3.5)	8.4 (3.8)	8.8 (4.0)	8.0 (3.6)	
180 (54.9)				8.9 (4.0)	7.7 (3.5)	6.2 (2.8)	180 (54.9)		6.5 (2.9)	7.6 (3.4)	8.0 (3.6)	7.0 (3.2)	5.5 (2.5)
190 (57.9)				7.3 (3.3)	6.9 (3.1)	5.5 (2.5)	190 (57.9)			6.6 (3.0)	7.3 (3.3)	6.3 (2.9)	4.8 (2.2)
200 (61.0)					6.3 (2.9)	4.8 (2.2)	200 (61.0)				6.5 (2.9)	5.6 (2.5)	4.1 (1.9)
210 (64.0)						4.3 (2.0)	210 (64.0)				5.2 (2.4)	4.9 (2.2)	3.6 (1.6)
220 (67.1)							220 (67.1)					4.4 (2.0)	3.0 (1.4)
230 (70.1)							230 (70.1)						2.6 (1.2)

This material is supplied for reference use only. Operator must refer to in-cab Crane Rating Manual and Operator's Manual to determine allowable crane lifting capacities and assembly and operating procedures.

135 ft (41.1m) Luffing Boom Length – 30 ft (9.1m) Fixed Jib Length – 360° Rotation ABC + A Counterweight [92,000 lb (41.7mt) + 48,000 lb (21.8mt)] [All capacities are listed in kips (mt)]													
80 ft (24.4m) Luffing Jib Length							100 ft (30.5m) Luffing Jib Length						
Load Radius ft (m)	Luffing Boom Angle						Load Radius ft (m)	Luffing Boom Angle					
	90°	85°	80°	75°	70°	65°		90°	85°	80°	75°	70°	65°
40 (12.2)	22.7 (10.3)						40 (12.2)						
50 (15.2)	22.7 (10.3)						50 (15.2)	22.7 (10.3)					
60 (18.3)	22.7 (10.3)						60 (18.3)	22.7 (10.3)					
70 (21.3)	22.7 (10.3)	22.7 (10.3)					70 (21.3)	20.7 (9.4)	22.7 (10.3)				
80 (24.4)	22.1 (10.0)	22.7 (10.3)					80 (24.4)	19.1 (8.7)	20.8 (9.4)				
90 (27.4)	20.2 (9.2)	21.8 (9.9)	22.7 (10.3)				90 (27.4)	17.7 (8.0)	18.9 (8.6)	21.1 (9.6)			
100 (30.5)	17.8 (8.1)	20.5 (9.3)	21.6 (9.8)				100 (30.5)	16.7 (7.6)	17.5 (7.9)	19.1 (8.7)			
110 (33.5)	16.0 (7.3)	18.2 (8.3)	20.2 (9.2)	20.4 (9.3)			110 (33.5)	16.0 (7.3)	16.4 (7.4)	17.4 (7.9)			
120 (36.6)	12.6 (5.7)	16.3 (7.4)	18.5 (8.4)	18.2 (8.3)	16.8 (7.6)		120 (36.6)	15.0 (6.8)	15.6 (7.1)	16.3 (7.4)	17.5 (7.9)		
130 (39.6)		14.7 (6.7)	16.6 (7.5)	16.4 (7.4)	15.1 (6.8)		130 (39.6)	12.9 (5.9)	15.0 (6.8)	15.4 (7.0)	15.8 (7.2)		
140 (42.7)			15.0 (6.8)	14.8 (6.7)	13.7 (6.2)	12.6 (5.7)	140 (42.7)		13.9 (6.3)	14.7 (6.7)	14.3 (6.5)	13.1 (5.9)	
150 (45.7)				13.5 (6.1)	12.4 (5.6)	11.4 (5.2)	150 (45.7)		11.0 (5.0)	14.1 (6.4)	13.0 (5.9)	11.9 (5.4)	
160 (48.8)					11.3 (5.1)	10.4 (4.7)	160 (48.8)			12.0 (5.4)	11.8 (5.4)	10.8 (4.9)	9.8 (4.4)
170 (51.8)						9.5 (4.3)	170 (51.8)				10.8 (4.9)	9.8 (4.4)	8.9 (4.0)
180 (54.9)							180 (54.9)					9.0 (4.1)	8.1 (3.7)
190 (57.9)							190 (57.9)						7.4 (3.4)

This material is supplied for reference use only. Operator must refer to in-cab Crane Rating Manual and Operator's Manual to determine allowable crane lifting capacities and assembly and operating procedures.

135 ft (41.1m) Luffing Boom Length – 30 ft (9.1m) Fixed Jib Length – 360° Rotation ABC + A Counterweight [92,000 lb (41.7mt) + 48,000 lb (21.8mt)] [All capacities are listed in kips (mt)]													
130 ft (39.6m) Luffing Jib Length							150 ft (45.7m) Luffing Jib Length						
Load Radius ft (m)	Luffing Boom Angle						Load Radius ft (m)	Luffing Boom Angle					
	90°	85°	80°	75°	70°	65°		90°	85°	80°	75°	70°	65°
60 (18.3)	18.9 (8.6)						60 (18.3)	14.2 (6.4)					
70 (21.3)	17.0 (7.7)						70 (21.3)	13.6 (6.2)					
80 (24.4)	15.3 (6.9)	17.2 (7.8)					80 (24.4)	12.9 (5.9)					
90 (27.4)	14.1 (6.4)	15.5 (7.0)					90 (27.4)	11.9 (5.4)	13.4 (6.1)				
100 (30.5)	13.0 (5.9)	14.1 (6.4)					100 (30.5)	10.9 (4.9)	12.1 (5.5)				
110 (33.5)	12.1 (5.5)	12.9 (5.9)	14.3 (6.5)				110 (33.5)	10.0 (4.5)	10.9 (4.9)				
120 (36.6)	11.4 (5.2)	12.0 (5.4)	13.0 (5.9)				120 (36.6)	9.3 (4.2)	10.0 (4.5)	11.1 (5.0)			
130 (39.6)	10.8 (4.9)	11.2 (5.1)	12.0 (5.4)	13.1 (5.9)			130 (39.6)	8.7 (3.9)	9.3 (4.2)	10.1 (4.6)			
140 (42.7)	10.3 (4.7)	10.6 (4.8)	11.2 (5.1)	12.1 (5.5)			140 (42.7)	7.9 (3.6)	8.6 (3.9)	9.3 (4.2)	10.3 (4.7)		
150 (45.7)	9.5 (4.3)	10.2 (4.6)	10.5 (4.8)	11.1 (5.0)	11.0 (5.0)		150 (45.7)	7.1 (3.2)	8.1 (3.7)	8.6 (3.9)	9.4 (4.3)		
160 (48.8)	8.2 (3.7)	9.7 (4.4)	10.0 (4.5)	10.5 (4.8)	9.9 (4.5)		160 (48.8)	6.5 (2.9)	7.7 (3.5)	8.1 (3.7)	8.6 (3.9)		
170 (51.8)		8.8 (4.0)	9.7 (4.4)	9.9 (4.5)	9.0 (4.1)		170 (51.8)	4.5 (2.0)	7.4 (3.4)	7.6 (3.4)	8.0 (3.6)	8.4 (3.8)	
180 (54.9)		6.9 (3.1)	9.2 (4.2)	9.1 (4.1)	8.2 (3.7)	7.1 (3.2)	180 (54.9)	2.4 (1.1)	5.4 (2.4)	7.2 (3.3)	7.6 (3.4)	7.6 (3.4)	
190 (57.9)			7.7 (3.5)	8.3 (3.8)	7.4 (3.4)	6.3 (2.9)	190 (57.9)		3.2 (1.5)	6.2 (2.8)	7.2 (3.3)	6.8 (3.1)	5.5 (2.5)
200 (61.0)				7.6 (3.4)	6.7 (3.0)	5.5 (2.5)	200 (61.0)			3.9 (1.8)	6.9 (3.1)	6.0 (2.7)	4.8 (2.2)
210 (64.0)					6.1 (2.8)	4.9 (2.2)	210 (64.0)				4.6 (2.1)	5.3 (2.4)	4.1 (1.9)
220 (67.1)						4.3 (2.0)	220 (67.1)				2.4 (1.1)	4.7 (2.1)	3.5 (1.6)
230 (70.1)							230 (70.1)					3.0 (1.4)	3.0 (1.4)
240 (73.2)							240 (73.2)						2.5 (1.1)

This material is supplied for reference use only. Operator must refer to in-cab Crane Rating Manual and Operator's Manual to determine allowable crane lifting capacities and assembly and operating procedures.

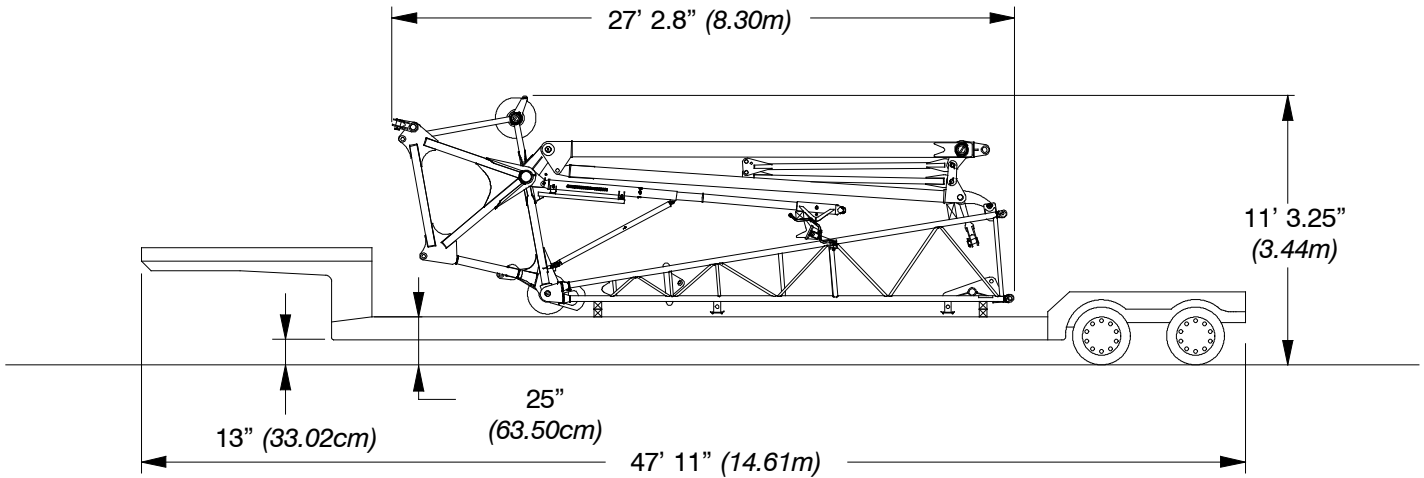
165 ft (50.3m) Luffing Boom Length – 30 ft (9.1m) Fixed Jib Length – 360° Rotation ABC + A Counterweight [92,000 lb (41.7mt) + 48,000 lb (21.8mt)] [All capacities are listed in kips (mt)]													
110 ft (33.5m) Luffing Jib Length							130 ft (39.6m) Luffing Jib Length						
Load Radius ft (m)	Luffing Boom Angle						Load Radius ft (m)	Luffing Boom Angle					
	90°	85°	80°	75°	70°	65°		90°	85°	80°	75°	70°	65°
47 (14.3)	18.0 (8.2)						47 (14.3)						
50 (15.2)	17.8 (8.1)						50 (15.2)						
60 (18.3)	17.0 (7.7)						60 (18.3)	12.7 (5.8)					
70 (21.3)	16.0 (7.3)						70 (21.3)	12.1 (5.5)					
80 (24.4)	15.0 (6.8)	16.7 (7.6)					80 (24.4)	11.4 (5.2)	14.1 (6.4)				
90 (27.4)	13.9 (6.3)	15.4 (7.0)					90 (27.4)	10.6 (4.8)	13.0 (5.9)				
100 (30.5)	12.8 (5.8)	14.2 (6.4)	15.5 (7.0)				100 (30.5)	9.8 (4.4)	12.0 (5.4)				
110 (33.5)	11.8 (5.4)	13.2 (6.0)	14.4 (6.5)				110 (33.5)	8.9 (4.0)	11.1 (5.0)	12.2 (5.5)			
120 (36.6)	10.8 (4.9)	12.2 (5.5)	13.4 (6.1)				120 (36.6)	8.2 (3.7)	10.3 (4.7)	11.4 (5.2)			
130 (39.6)	10.0 (4.5)	11.4 (5.2)	12.4 (5.6)	12.6 (5.7)			130 (39.6)	7.5 (3.4)	9.5 (4.3)	10.5 (4.8)			
140 (42.7)	9.4 (4.3)	10.6 (4.8)	11.6 (5.3)	11.9 (5.4)			140 (42.7)	6.8 (3.1)	8.8 (4.0)	9.8 (4.4)	9.8 (4.4)		
150 (45.7)		9.9 (4.5)	10.8 (4.9)	11.1 (5.0)	10.3 (4.7)		150 (45.7)	6.3 (2.9)	8.2 (3.7)	9.1 (4.1)	9.2 (4.2)		
160 (48.8)		8.7 (3.9)	9.8 (4.4)	10.2 (4.6)	9.3 (4.2)		160 (48.8)	5.9 (2.7)	7.6 (3.4)	8.4 (3.8)	8.7 (3.9)	7.9 (3.6)	
170 (51.8)			8.6 (3.9)	9.3 (4.2)	8.3 (3.8)		170 (51.8)		7.0 (3.2)	7.8 (3.5)	8.0 (3.6)	7.5 (3.4)	
180 (54.9)				8.4 (3.8)	7.4 (3.4)	5.8 (2.6)	180 (54.9)		6.2 (2.8)	7.0 (3.2)	7.3 (3.3)	6.6 (3.0)	
190 (57.9)				7.1 (3.2)	6.6 (3.0)	5.0 (2.3)	190 (57.9)			6.1 (2.8)	6.6 (3.0)	5.8 (2.6)	4.2 (1.9)
200 (61.0)					5.9 (2.7)	4.4 (2.0)	200 (61.0)				5.9 (2.7)	5.1 (2.3)	3.6 (1.6)
210 (64.0)						3.9 (1.8)	210 (64.0)				4.9 (2.2)	4.5 (2.0)	3.0 (1.4)
220 (67.1)							220 (67.1)					3.9 (1.8)	2.5 (1.1)
230 (70.1)							230 (70.1)						2.1 (1.0)

This material is supplied for reference use only. Operator must refer to in-cab Crane Rating Manual and Operator's Manual to determine allowable crane lifting capacities and assembly and operating procedures.

165 ft (50.3m) Luffing Boom Length – 30 ft (9.1m) Fixed Jib Length – 360° Rotation ABC + A Counterweight [92,000 lb (41.7mt) + 48,000 lb (21.8mt)] [All capacities are listed in kips (mt)]													
140 ft (42.7m) Luffing Jib Length							150 ft (45.7m) Luffing Jib Length						
Load Radius ft (m)	Luffing Boom Angle						Load Radius ft (m)	Luffing Boom Angle					
	90°	85°	80°	75°	70°	65°		90°	85°	80°	75°	70°	65°
60 (18.3)	10.8 (4.9)						60 (18.3)	8.9 (4.0)					
70 (21.3)	10.3 (4.7)						70 (21.3)	8.5 (3.9)					
80 (24.4)	9.7 (4.4)						80 (24.4)	8.0 (3.6)					
90 (27.4)	9.0 (4.1)	11.9 (5.4)					90 (27.4)	7.5 (3.4)	10.4 (4.7)				
100 (30.5)	8.3 (3.8)	11.0 (5.0)					100 (30.5)	6.9 (3.1)	9.9 (4.5)				
110 (33.5)	7.6 (3.4)	10.1 (4.6)					110 (33.5)	6.3 (2.9)	9.1 (4.1)				
120 (36.6)	6.9 (3.1)	9.3 (4.2)	10.3 (4.7)				120 (36.6)	5.7 (2.6)	8.4 (3.8)	9.4 (4.3)			
130 (39.6)	6.2 (2.8)	8.6 (3.9)	9.6 (4.4)				130 (39.6)	5.1 (2.3)	7.8 (3.5)	8.6 (3.9)			
140 (42.7)	5.7 (2.6)	8.0 (3.6)	8.9 (4.0)	8.7 (3.9)			140 (42.7)	4.5 (2.0)	7.1 (3.2)	8.0 (3.6)			
150 (45.7)	5.1 (2.3)	7.4 (3.4)	8.2 (3.7)	8.3 (3.8)			150 (45.7)	4.0 (1.8)	6.4 (2.9)	7.4 (3.4)	7.3 (3.3)		
160 (48.8)	4.7 (2.1)	6.7 (3.0)	7.6 (3.4)	7.8 (3.5)			160 (48.8)	3.6 (1.6)	5.8 (2.6)	6.8 (3.1)	6.9 (3.1)		
170 (51.8)	4.4 (2.0)	6.0 (2.7)	7.1 (3.2)	7.2 (3.3)	6.6 (3.0)		170 (51.8)	3.3 (1.5)	5.1 (2.3)	6.3 (2.9)	6.5 (2.9)		
180 (54.9)		5.4 (2.4)	6.4 (2.9)	6.7 (3.0)	6.2 (2.8)		180 (54.9)	2.3 (1.0)	4.5 (2.0)	5.8 (2.6)	5.9 (2.7)	5.4 (2.4)	
190 (57.9)		5.0 (2.3)	5.7 (2.6)	6.1 (2.8)	5.4 (2.4)	3.8 (1.7)	190 (57.9)		3.7 (1.7)	5.2 (2.4)	5.4 (2.4)	5.0 (2.3)	
200 (61.0)			5.0 (2.3)	5.4 (2.4)	4.7 (2.1)	3.2 (1.5)	200 (61.0)			4.6 (2.1)	4.9 (2.2)	4.3 (2.0)	
210 (64.0)				4.8 (2.2)	4.1 (1.9)	2.6 (1.2)	210 (64.0)			2.8 (1.3)	4.3 (2.0)	3.7 (1.7)	
220 (67.1)				3.9 (1.8)	3.5 (1.6)	2.1 (1.0)	220 (67.1)				3.8 (1.7)	3.1 (1.4)	
230 (70.1)					3.0 (1.4)		230 (70.1)					2.6 (1.2)	
240 (73.2)							240 (73.2)					2.2 (1.0)	

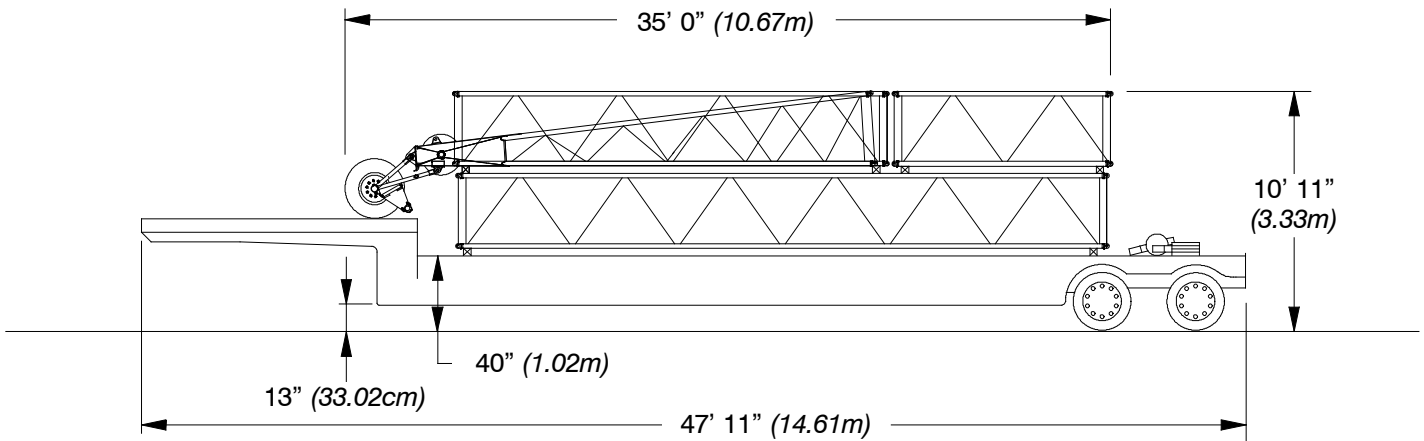
This material is supplied for reference use only. Operator must refer to in-cab Crane Rating Manual and Operator's Manual to determine allowable crane lifting capacities and assembly and operating procedures.

Luffing Attachment Transport



Luffing Attachment Shipping Module #1 – 8,250 lb (3 742kg)

Luffing jib base section, luffing boom top section, and the front and rear fan post.



Luffing Attachment Shipping Module #2 – 10,374 lb (4 706kg)

Luffing jib top section with nose wheel, 30 ft (9.14m) extension (2 each), 20 ft (6.10m) extension, 10 ft (3.05m) extension (2 each), 25 Ton (22.68mt) hook block and 15 Ton (13.6mt) hook ball.

Link-Belt Construction Equipment Company Lexington, Kentucky www.linkbelt.com

®Link-Belt is a registered trademark. Copyright 2008. We are constantly improving our products and therefore reserve the right to change designs and specifications.