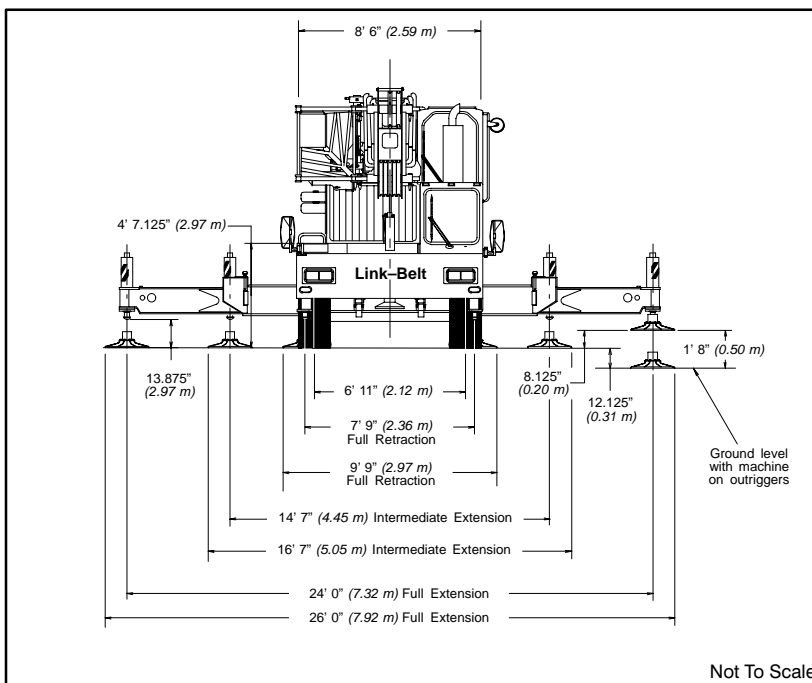
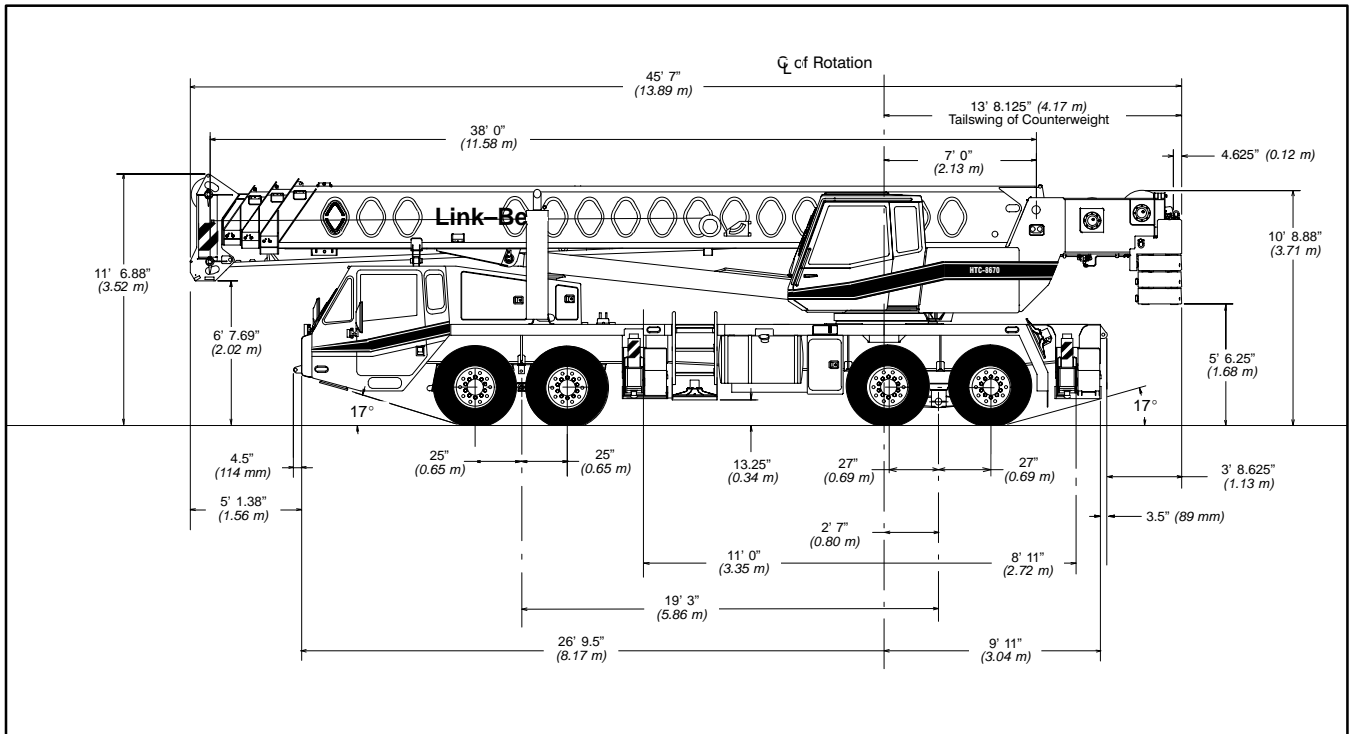


Specifications

Telescopic Boom Truck Crane

HTC-8670

70-ton (63.5 metric tons)



General Dimensions	feet	meters
Turning radius (wall to wall)	49' 1.5"	14.97
Turning radius (curb to curb)	41' 10.5"	12.76
Ground clearance	13.25"	0.34
Tailswing	13' 8.125"	4.17

Upper Structure

■ Boom

Patented Design

- Boom side plates have diamond shaped impressions for superior strength to weight ratio and 100,000 p.s.i. (689.5 MPa) steel angle chords for lateral stiffness.
- Boom telescope sections are supported by top, bottom and adjustable side wear shoes to prevent metal to metal contact.

Boom

- 38 – 115' (11.58 – 35.05 m) four-section full power boom.
- Two mode boom extension
- The basic mode is the full power, synchronized mode of telescoping all sections proportionally to 115' (35.05 m).
- The exclusive "A-max" mode (or mode 'A') extends only the inner mid section to 63' 6" (19.39 m) offering increased capacities for in-close, maximum capacity picks.

Boom Head

- Five 16–1/2" (0.42 m) root diameter nylon sheaves with a fifth nylon sheave available to handle up to 10 parts of wire rope.
- Easily removable wire rope guards
- Rope dead end lugs provided on each side of boom head.
- Boom head designed for quick reeve of hook block.
- Fly pinning alignment tool.

Boom Elevation

- One Link-Belt designed hydraulic cylinder with holding valve and bushing in each end.
- Hand control for controlling boom elevation from –3° to +78°.

Optional Auxiliary Lifting Sheave

- Single 16–1/2" (0.42 m) root diameter nylon sheave with removable wire rope guard, mounted to boom.
- Use with one or two parts of line off the optional front winch.
- Does not affect erection of fly or use of main head sheaves for multiple reeving.

Optional

- 70-ton (63.5 mt) quick reeve hook block.
- 8–1/2 ton (7.7 mt) hook ball.
- Boom floodlight.
- Mechanical Boom Angle Indicator

■ Fly

Optional

- 36' 6" (11.13 m) One piece lattice fly, stowable, offsettable to 2°, 20° and 40°.
- Lugs to allow for second section.
- 36' 6" – 61' (11.13 – 18.59 m) Two piece (bifold) lattice fly, stowable, offsettable to 2°, 20° or 40°.

■ Cab and Controls

Environmental Ultra-Cab™

- Laminated fibrous composite material; isolated from sound with acoustical fabric insulation.

- Windows are tinted and tempered safety glass.
- Sliding rear and right side windows and swing-up roof window for maximum visibility and ventilation.
- Slide-by-door opens to 3' (0.91 m) width.
- Six-way adjustable seat, with seat belt, for maximum operator comfort.
- Hand-held outrigger controls and sight level bubble located on left side of cab.
- Diesel cab heater
- Pull-out Cabwalk™
- Audible swing alarm
- Backup alarm
- Fire extinguisher
- 12-volt accessory outlet
- Electric windshield wiper
- Windshield washer
- Top hatch window wiper
- Circulating fan
- Warning horn
- Dome light
- Cup holder
- Sun screen
- Hand throttle
- Mirrors
- Defroster fan

Optional

- Amber strobe light
- Emergency steering system
- Amber rotating beacon
- Hydraulic heater
- Air conditioning

Controls

Hydraulic controls (joystick type) for:

- Swing
- Optional auxiliary winch
- Main winch
- Boom hoist

Foot controls for:

- Boom telescope
- Engine throttle
- Swing brake

Optional

- Single axis controls
- Auxiliary winch

Cab Instrumentation

Cornerpost-mounted gauges for:

- Hydraulic oil temperature
- Audio/Visual warning system
- Tachometer
- Voltmeter
- Water temperature
- Oil pressure
- Fuel

■ Rated Capacity Limiter

- **Microguard 434** Graphic audio-visual warning system built into dash with anti-two block and function limiters.

Operating data available includes:

- Machine configuration.
- Boom length
- Head height
- Allowed load
- % of allowed load
- Boom angle
- Radius of load
- Actual load

Pre-settable alarms include:

- Maximum and minimum boom angles.
- Maximum tip height.
- Maximum boom length.
- Swing left/right positions.
- Operator defined area alarm is standard.
- Anti-two block weight designed for quick reeve of hookblock.

Optional

- **Internal RCL light bar:** Visually informs operator when crane is approaching maximum load capacity with a series of green, yellow and red lights.
- **External RCL light bar:** Visually informs ground crew when crane is approaching maximum load capacity kickouts and pre-settable alarms with a series of three lights; green, yellow and red.

■ Swing

Bi-directional hydraulic swing motor mounted to a planetary reducer for 360° continuous smooth swing at 1.7 r.p.m.

- **Swing park brake** – 360°, electric over hydraulic (spring applied, hydraulic released) multi-disc brake mounted on the speed reducer. Operated by toggle switch in overhead control console.
- **Swing brake** – 360°, foot operated, hydraulic applied disc brake mounted on the speed reducer.
- **Swing lock** – Standard; two position travel lock operated from the operator's cab.
- **Counterweight**
 - Standard – Pinned to upper structure frame. 12,000 lbs. (5 443 kg) three-piece design (4,000 lbs. each).
 - Optional – 16,000 lbs. (7 258 kg) five piece design. (Dolly required for five piece arrangement).
- Hydraulically controlled counterweight removal, standard. Counterweight sections may be lowered on and pinned to carrier deck to balance axle loadings for travel.

Optional

- 360° (Pawl-in-Gear) swing lock. Meets New York City requirements.

■ Hydraulic System

Main Pump

- Two gear pump with a total of five sections.
- Combined pump capacity of 152 gpm (575 lpm). Powered by carrier engine with pump disconnect.
- Spline type pump disconnect, engaged / disengaged from carrier cab.
- Maximum system operating pressure is 3,500 psi (24 133 kPa).

Pilot Pressure / Counterweight Removal Pump

- Pressure compensated piston pump powered by carrier engine with pump disconnect. Operates at 1,500 psi (10 343 kPa) maximum.

Steering / Fifth Outrigger Pump

- Single gear type pump, 8 gpm (30 lpm). Powered by carrier engine through front gear housing. Max. pump operating pressure is 2,000 psi (13 790 kPa).
- Reservoir – 169 gallon (639.7 L) capacity. One diffuser for deaeration.

(continued on next page)

(continued from page 2)

Filtration

- One, 10-micron filter located inside hydraulic reservoir
- Accessible for easy replacement

Control valves

- Six separate pilot operated control valves allow simultaneous operation of all crane functions.

Load Hoist System

Standard

- 2M main winch with grooved lagging.
- Two-speed motor and automatic brake.

- Power up/down mode of operation.
- Hoist drum cable followers.
- Bi-directional piston-type hydraulic motor driven through planetary reduction unit for positive control under all load conditions.
- Asynchronous parallel double crossover grooved drums minimize rope harmonic motion.
- Winch circuit control provides balanced oil flow to both winches for smooth, simultaneous operation.
- Rotation resistant wire rope.
- Drum Rotation Indicators.

Line Pulls and Speeds

- Maximum available line pull 16,506 lbs. (7 484 kg) and maximum line speed of 513 f.p.m. (156 m/min) on 16" (0.41 m) root diameter grooved drum.

Optional

- 2M auxiliary winch with two-speed motor, automatic brake, and winch function lock-out. Power up/down modes.
- Hoist drum cable followers.
- Third wrap indicators.

Carrier

Type

- 8' 6" (2.59 m) wide, 231" (5.87 m) wheel-base. 8 x 4 drive – standard

Frame

- 100,000 p.s.i. (689.5 MPa) steel, double walled construction with integral 100,000 p.s.i. steel outrigger boxes

Optional

- Carrier mounted storage boxes
- Pintle hook
- Electric and air connections for trailers and boom dollies

Axles

Front

- Tandem, 84.38" (2.14 m) track.

Rear

- Tandem, 72.8" (1.85 m) track. 6.17 to 1.0 ratio with interaxle differential with lockout.

Suspension

Front axle

- Leaf spring suspension

Rear axle

- Solid mount, bogie beam type

Wheels

Standard

- Front and rear hub piloted aluminum disc

Optional

- Spare tire and wheel assemblies

Tires

Standard Front

- 445/65R22.5 (Load range "L") single tubeless radials

Standard Rear

- 12R22.5 (Load range "L") dual tubeless radials

Brakes

Service

- Full air brakes on all wheel ends with automatic slack adjusters. Dual circuit with modulated emergency brakes.
 - Front – 16.5 x 6 S-Cam brakes.
 - Rear – 16.5 x 7 S-Cam brakes.

Parking/Emergency

- One spring set, air released chamber per rear axle end.
- Parking brake applied with valve mounted on carrier dash.
- Emergency brakes apply automatically when air drops below 40 psi (275.8 kPa) in both systems.

Steering

- Sheppard rack and pinion design.

Transmission

Standard – Eaton RTO-14709MLL; 11 speeds forward, 3 reverse.

Electrical

- Four, 12-volt batteries provide 12-volt starting.
- 2,800 cold cranking amps available.
- 12-volt operating system, 130-amp alternator.

Lights

- Four dual beam sealed headlights.
- Front, side, and rear directional signals.
- Stop, tail and license plate lights.
- Rear and side clearance lights.
- Hazard warning lights.

Outriggers

- Three position operation capability.
- Four hydraulic, telescoping beam and jack outriggers.
- Vertical jack cylinders equipped with integral holding valve.
- Beams extend to 24' (7.32 m) centerline-to-centerline and retract to within 8' 6" (2.59 m) overall width.
- Equipped with stowable, lightweight 24" (0.61 m) diameter aluminum floats.
- Standard fifth outrigger, 14 3/4" (0.37 m) self storing steel pad is operable from ground or operator's cab.
- Hand-held controls and sight level bubble located on carrier deck.

Confined Area Lifting Capacities (CALC™) System

- The crane is operational in one of the three outriggers positions and operational in confined areas in two positions (intermediate and full retraction).

The three outrigger positions are:

- Full extension – 24' 0" (7.32 m).
- Intermediate position – 14' 7" (4.45 m).
- Full retraction – 7' 9" (2.36 m).
- Capacities are available with the outrigger beams in the intermediate and full retraction positions.
- When the outrigger position levers (located on the outrigger beams) are engaged, the operator can set the crane in the intermediate or full retraction outrigger position without having to leave the cab.

Carrier Cab

- One-man cab of laminated fibrous composite material acoustical insulation with cloth covering.

Equipped with:

- Air-ride adjustable operator's seat with seat belt.
- Tilting and locking steering wheel.
- Door and windows locks.
- Left-hand and right-hand rear view mirrors.
- Sliding right-hand and rear tinted windows.
- Roll up/down left-hand tinted window.
- Desiccant-type air dryer.
- Steps to upper, lower cab and rear carrier.
- 120-volt electric engine block heater.
- Back-up warning alarm.
- Tow hooks and shackles.
- Aluminum fenders and mud flaps.
- Carrier mounted outrigger controls with throttle control.
- Electric windshield wiper and washer.
- Rotating beacon
- Horn
- Fire extinguisher
- 36,000 BTU heater
- Dome light
- High beam light switch
- Travel lights
- Mud flaps
- Ashtray
- Defroster
- Cruise control

Cab instrumentation

- Illuminated instrument panel speedometer.
- Tachometer
- Fuel gauge
- Oil pressure gauge
- Turn signal indicator
- Water temperature gauge.
- Front and rear air pressure gauges.
- Audio/visual warning system.
- Check engine and stop engine lights.
- Automotive type ignition.
- Optional – Amber strobe light.
- Optional – Air conditioning
- Hourmeter
- Fuses
- Odometer
- Voltmeter

Carrier Speeds *(Manual Transmission – Standard tires)*

Gear	High				Low					Deep reduction		Hi rev.	Lo rev.	Deep reduction	Deep reduction @ 600 rpm	Deep reduction @ 600 rpm	
	8	7	6	5	4	3	2	1	Low	LL2	LL1	Rev.	Rev.	Rev.	LL1	Low	
Ratio	0.73	1.00	1.38	1.95	2.77	3.79	5.23	7.41	10.30	11.85	26.08	4.15	15.76	25.21	26.08	25.21	
Speed	mph	58.20	42.49	30.79	21.79	15.34	11.21	8.12	5.73	2.61	3.59	1.63	10.24	2.70	1.69	0.47	0.48
	km/hr.	93.65	68.36	49.54	35.06	24.68	18.04	13.07	9.23	4.19	5.77	2.62	16.47	4.34	2.71	0.75	0.72

Engine

Engine	Detroit Diesel Series 60 12.7 L
Cylinders – cycle	6 / 4
Bore	5.12" (0.13 m)
Stroke	6.30" (0.16 m)
Displacement	778 cu. in. (12 751 cm ³)
Maximum brake hp.	365 @ 1,800 rpm; 350 @ 2,100 rpm
Peak torque	1,350 ft. lbs. (1 831 J) @ 1,200 rpm
Electric system	12-volt neg. ground / 12 volt starting
Fuel capacity	100 gallons (378.5 L)
Alternator	12 volt, 130 amps
Crankcase capacity	32 qts. (30 L)

• Engine brake – standard • Ether injection starting package – optional

Axle Loads

Base machine with standard 38.5' – 115' (11.73 – 35.05 m) four-section boom, 2M main winch with 2-speed hoisting and power up/down, 630' (192.02 m), 3/4" (19 mm) wire rope, 8 x 4, 8.5' (2.59 m) carrier with Detroit Diesel Series 60 engine, 100 gal. (378 L) fuel and no counterweight.	G.V.W. ¹		Upper Facing Front			
	lbs.	kg.	Front Axle		Rear Axle	
			lbs.	kg.	lbs.	kg.
	76,118	34 527	34,542	15 668	41,576	18 859
Cold weather starting aids – propane and ether	40	18	57	26	-17	-8
Aluminum storage box	57	26	16	7	41	19
Driver in carrier cab	200	91	254	185	-54	-24
Pintle hook w/air and electrical hook-ups	30	14	-12	-5	42	19
Air conditioning in carrier cab	100	45	127	57	-27	-12
Auxiliary winch with 630' (192.02 m) front rope	855	388	-282	-128	1,137	516
Hydraulic heater	170	77	1	0.5	169	77
Air conditioning in upper cab	120	54	-4	-2	124	56
One slab of counterweight on upper	4,000	1 814	-2,140	-971	6,140	2 785
Two slabs of counterweight on upper	8,000	3 628	-4,281	-1 942	12,281	5 571
Three slabs of counterweight on upper	12,000	5 443	-6,421	-2 913	18,421	8 356
Three slabs of counterweight on upper plus two cheek weights	16,000	7 257	-8,561	-3 883	24,561	11 140
Fly brackets on boom base section for fly options	160	72	147	68	11	5
36.5' (11.13 m) offsettable fly with tip lugs – stowed	1,542	700	1,349	612	193	88
36.5' to 61 ft. (11.13 – 18.59 m) two-piece fly – stowed	2,248	1 020	1,711	776	537	244
40-ton (36.3 mt) hookblock at front bumper	720	327	1,175	533	-455	-206
70-ton (63.5 mt) hookblock at front bumper	1,400	635	2,284	1 036	-884	-401
Hookball to front bumper	360	163	587	266	-227	-103
Auxiliary arm	125	57	230	104	-105	-48

	Front axle		Rear axle	
Transfer one slab of counterweight to carrier deck	5,333	2 419	-5,333	-2 419
Transfer two slabs of counterweight to carrier deck	10,666	4 828	-10,666	-4 838
Transfer three slabs of counterweight to carrier deck	15,999	7 257	-15,999	-7 257

¹ Adjust gross vehicle weight & axle loading according to component weight. Note: All weights are ± 3%.

Axle	Max. Load @ 65 mph. (105 km/h)
Front	46,400 lbs. (21 047 kg) – Aluminum disc wheels with 445/65R22.5 tires
Rear	50,350 lbs. (22 838 kg) – Aluminum disc wheels with 12R22.5 tires