

# 210 X<sub>2</sub>

## specifications

Operating Weight: 47,400 lbs. (21 500 kg)

SAE Net Horsepower: 157 HP (117 kW)

Bucket Range: .61 - 1.75 yd<sup>3</sup> (.47 - 1.34 m<sup>3</sup>)

### Engine

Isuzu AI-4HK1X Tier 3 turbocharged diesel engine with electronic fuel control, 4-cylinder, water-cooled, EGR with cooler, air-to-air intercooler, fuel cooler, auto idle-start, neutral safety start, glow plugs, auto warm-up, EPF engine protection, dual stage fuel filtration, remote oil filter, green plug oil drain.

SAE net horsepower ..... 157 HP (117 kW) @ 1,800 rpm  
 Displacement ..... 5.2 L  
 Maximum torque ..... 463 lbf-ft (628 N-m) @ 1,500 rpm  
 Starter ..... 24V-5.0kW  
 Alternator ..... 50 amp  
 Battery ..... 92 amp hours

### Cab and Controls

Pressurized cab with climate control a/c and heat with defroster, LCD monitor, illuminated soft-touch switches, low-effort controls pre-wired for auxiliary hydraulics, control pattern changer, sliding LEXAN® MARGARD® windows, safety glass front window with automatic locking system and vandal cover, intermittent windshield wiper with washer, emergency rear window exit, polycarbonate roof hatch with sunshade, shockless cab suspension with four fluid mountings, KAB® reclining suspension seat, sliding 4-position tilting control consoles, AM/FM radio, digital clock, dome light, seat belt, coat hook, cup holder, storage compartments, floor mat, footrests, ashtray, 24-volt cigarette lighter, 12-volt outlet, travel alarm, handrail, mirrors.

Four selectable working modes, anti-theft password protection system, on-board self-diagnostic system with memory, auto-idling system, one-touch decelerator, auto power boost, gate lock safety shutoff.

A/C output ..... 18,100 BTU/hr  
 Heater output ..... 20,150 BTU/hr  
 Sound level (inside cab) ..... 68.5 dB(A)  
 Sound level (exterior) ..... 98.1 dB(A)

### Hydraulic System

Open-center system, two variable displacement axial piston pumps and one gear pump for pilot controls, main control valve with one 4-spool valve and one 5-spool valve with auxiliary spool - stackable, oil cooler, auto power boost, boom and arm holding valves, o-ring face seals, 6 micron return filter, firewall.

#### Hydraulic Pumps

Maximum flow ..... 2 x 55.7 gpm (2 x 211 l/min)  
 Pilot pump maximum flow ..... 4.8 gpm (18 l/min)

#### Relief Valve Settings

Boom/arm/bucket ..... 4,970 psi (343 bar)  
 in Power-Boost Mode ..... 5,340 psi (368 bar)  
 Swing circuit ..... 4,260 psi (294 bar)  
 Travel ..... 4,970 psi (343 bar)

#### Hydraulic Cylinders

number of cylinders – bore x rod x stroke  
 Boom ..... 2 – 4.7" x 3.3" x 49.4"  
 (120 mm x 85 mm x 1 255 mm)  
 Arm ..... 1 – 5.5" x 3.9" x 57.5"  
 (140 mm x 100 mm x 1 460 mm)  
 Bucket ..... 1 – 4.7" x 3.3" x 39.8"  
 (120 mm x 85 mm x 1 010 mm)

#### Hydraulic Oil Filtration

Return filter ..... 6 micron  
 Pilot filter ..... 8 micron  
 Suction screen ..... 105 micron



### Swing

Planetary reduction powered by axial piston motor. Internal ring gear with grease cavity for swing pinion. Swing bearing is single-row shear type ball bearing. Mechanical disc swing brake. Auto power swing. Swing cushion valve.

Swing speed ..... 0 – 11.5 rpm  
 Tail swing ..... 9' 0" (2.75 m)  
 Swing torque ..... 47,204 lbf-ft. (64 kN·m)

### Undercarriage

X Pattern carbody with 14' 8" (4.47 m) LC long undercarriage by 7' 10" (2.39 m) track gauge, sealed and strutted track chain with track guide, sealed rollers and idlers, two-speed independent hydrostatic travel with compact planetary final drive, disc type brakes, adjustable track tension, swivel guard.

Carrier rollers ..... 2 per side  
 Track rollers ..... 8 per side  
 Track link pitch ..... 7.48" (190 mm)  
 Shoes ..... 49 per side  
 Shoe width ..... 31.5" (800 mm)  
 Ground pressure ..... 5.22 psi (.36 bar)

### Lubricant and Coolant Capacity

Fuel tank ..... 108.3 gal. (410 liters)  
 Hydraulic tank ..... 38.8 gal. (147 liters)  
 Hydraulic system ..... 63.4 gal. (240 liters)  
 Final drive (per side) ..... 1.2 gal. (4.5 liters)  
 Swing drive ..... 1.3 gal. (5 liters)  
 Engine oil ..... 6.1 gal. (23.1 liters)  
 Cooling system ..... 6.8 gal. (25.6 liters)

### Travel System

Two-speed independent hydrostatic travel with compact axial piston motors. Hydraulic motor powered output shaft coupled to a planetary reduction unit and track sprocket. All hydraulic components mounted within the width of side frame.

Automatic downshift. Spring applied, hydraulically released disc parking brake built into each motor. Each travel motor equipped with counterbalance valve to prevent overspeeding down an incline.

Max. travel speed ..... 2.1 - 3.5 mph (3.4 - 5.6 km/h)  
 Drawbar pull ..... 42,489 lbf (189 kN)  
 Gradeability ..... 70% (35°)

### Attachment

Boom ..... 18' 8" (5.70 m)

#### Available Arms

with Auto Power-Boost applied ..... Digging Force\*  
 • 9' 8" (2.94 m) ..... 23,160 lbf (103 kN)  
 with Auto Power-Boost applied ..... 24,730 lbf (110 kN)  
 • 7' 11" (2.41 m) ..... 27,650 lbf (123 kN)  
 with Auto Power-Boost applied ..... 29,670 lbf (132 kN)

Bucket Digging Force ..... 31,920 lbf (142 kN)  
 with Auto Power-Boost applied ..... 34,170 lbf (152 kN)

\*Digging force ratings are based on ISO 6015, "Earthmoving Machinery – Hydraulic Excavators – Tool Forces."

### Fuel Usage\*

Heavy ..... 5.10 gal / hr (19.3 liter / hr)  
 Average ..... 4.08 gal / hr (15.4 liter / hr)  
 Light ..... 2.55 gal / hr (9.6 liter / hr)

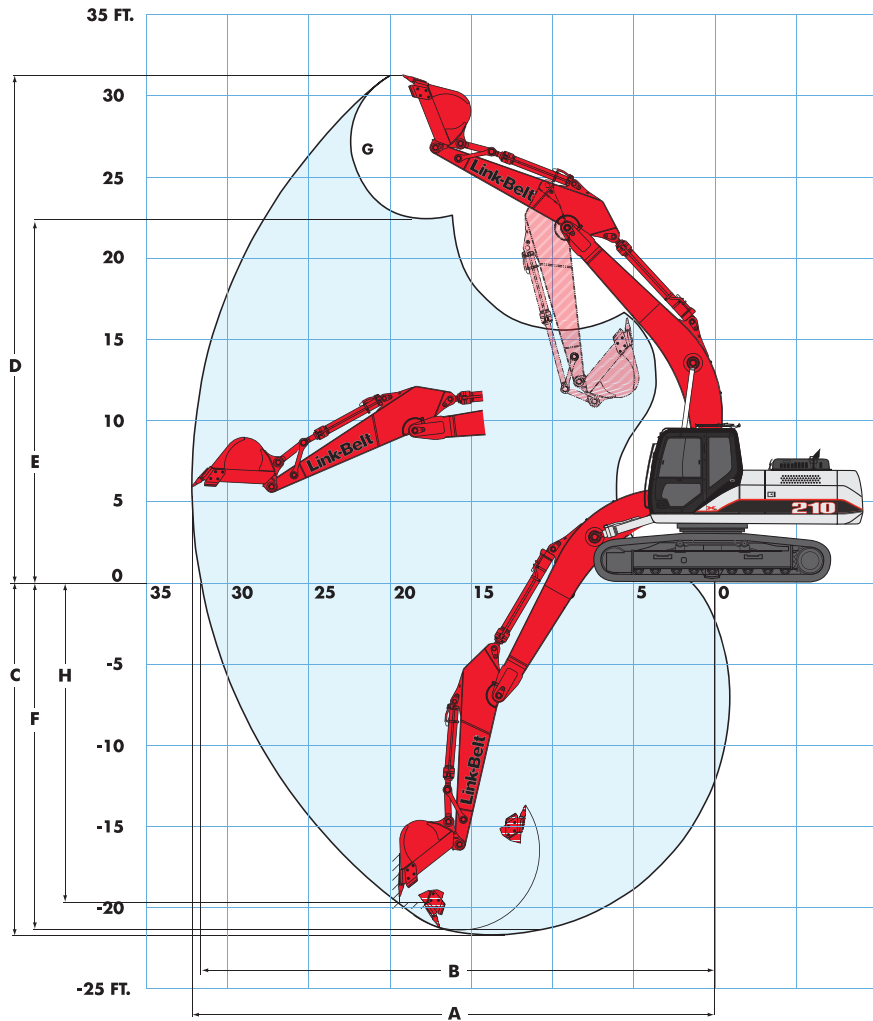
\*Fuel economy varies widely depending on application. "Heavy" represents nearly continuous operation in tough digging applications in SP Mode. "Light" represents easy digging applications utilizing the machine about 50% of the time in SP Mode.

### Operating Weight

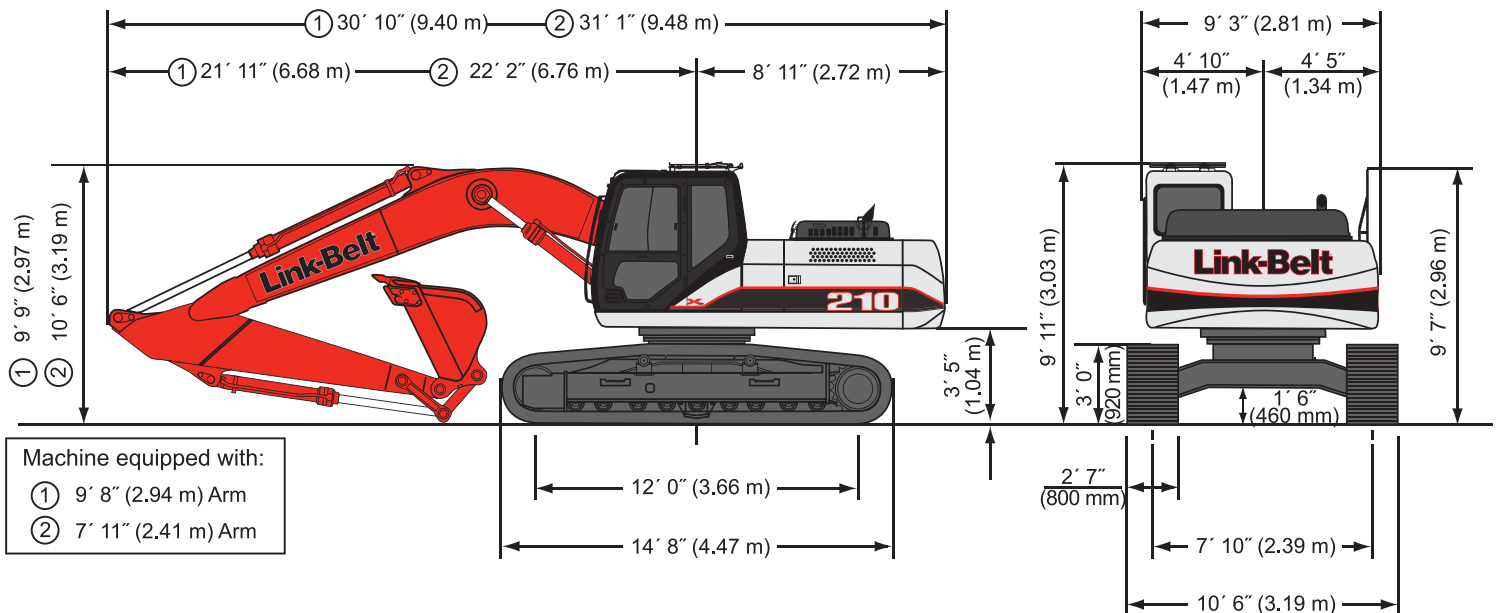
Working weight with 31.5" (800 mm) shoes, 18' 8" (5.70 m) boom, 9' 8" (2.94 m) arm, 1,540 lb. (700 kg) bucket  
 ..... 47,400 lbs (21,500 kg)

# 210 X2 Specifications

## Working Ranges



Machine equipped with 18' 8" (5.70 m) boom	9' 8" Arm (2.94 m)	7' 11" Arm (2.41 m)
A. Maximum reach	32' 6" (9.90 m)	30' 11" (9.42 m)
B. Maximum reach @ ground level	31' 11" (9.73 m)	30' 4" (9.24 m)
C. Maximum dig depth	21' 10" (6.65 m)	20' 0" (6.10 m)
D. Maximum dig height	31' 6" (9.61 m)	30' 10" (9.41 m)
E. Maximum dump height	22' 4" (6.81 m)	21' 7" (6.59 m)
F. Digging depth – 8' (2.44 m) level bottom	21' 3" (6.47 m)	19' 4" (5.90 m)
G. Bucket rotation	177°	177°
H. Maximum vertical wall depth	19' 7" (5.96 m)	18' 1" (5.50 m)



## Lifting Capacities

9' 8" (2.94 m) Arm with 18' 8" (5.70 m) Boom and 1,435 lb. (651 kg) Bucket with Power-Boost Applied

		Radius of Load									
		10' 0" (3.05 m)		15' 0" (4.57 m)		20' 0" (6.10 m)		25' 0" (7.62 m)		Cap. at Max. Reach	
		End	Side	End	Side	End	Side	End	Side	End	Side
+25' 0" (7.62 m)	lbs kg									5,300* 2 404*	5,300* 2 404*
+20' 0" (6.10 m)	lbs kg									5,050* 2 291*	5,050* 2 291*
+15' 0" (4.57 m)	lbs kg					10,000* 4 536*	10,000* 4 536*	9,550* 4 331*	7,100 3 221	5,000* 2 268*	4,900 2 223
+10' 0" (3.05 m)	lbs kg	22,000* 9 979*	22,000* 9 979*	14,750* 6 690*	14,750* 6 690*	11,850* 5 375*	10,000 4 536	10,450* 4 740*	6,850 3 107	5,150* 2 336*	4,500 2 041
+5' 0" (1.52 m)	lbs kg	20,850* 9 457*	20,850* 9 457*	19,200* 8 709*	14,550 6 600	13,850* 6 282*	9,350 4 241	10,500 4 763	6,550 2 971	5,450* 2 472*	4,400 1 996
Ground Line	lbs kg	19,000* 8 618*	19,000* 8 618*	22,050* 10 001*	13,650 6 192	14,500 6 577	8,850 4 014	10,200 4 627	6,250 2 835	6,050* 2 744*	4,550 2 064
-5' 0" (1.52 m)	lbs kg	25,200* 11 430*	25,200* 11 430*	22,700* 10 296*	13,300 6 033	14,200 6 441	8,600 3 901	10,000 4 536	6,100 2 767	7,000* 3 175*	5,050 2 291
-10' 0" (3.05 m)	lbs kg	32,900* 14 923*	26,900 12 202	22,050* 10 001*	13,350 6 056	14,150 6 418	8,550 3 878	10,050 4 559	6 150 2 790	8,750* 3 969*	6,200 2 812
-15' 0" (4.57 m)	lbs kg	28,250* 12 814*	27,200* 12 337*	19,450* 8 822*	13,700 6 214	13,800* 6 259*	8,800 3 992			8,450* 3 833*	8,450* 3 833*

7' 11" (2.41 m) Arm with 18' 8" (5.70 m) Boom and 1,539 lb. (698 kg) Bucket with Power-Boost Applied

		Radius of Load									
		10' 0" (3.05 m)		15' 0" (4.57 m)		20' 0" (6.10 m)		25' 0" (7.62 m)		Cap. at Max. Reach	
		End	Side	End	Side	End	Side	End	Side	End	Side
+25' 0" (7.62 m)	lbs kg									7,750* 3 515*	7,750* 3 515*
+20' 0" (6.10 m)	lbs kg					9,900* 4 490*	9,900* 4 490*			7,350* 3 333*	6,300 2 858
+15' 0" (4.57 m)	lbs kg					10,950* 4 966*	10,300 4 672	10,350* 4 694*	6,850 3 107	7,250* 3 288*	5,350 2 427
+10' 0" (3.05 m)	lbs kg	25,250* 11 453*	25,250* 11 453*	16,200* 7 348*	15,400 6 985	12,650* 5 738*	9,750 4 423	10,650 4 831	6,650 3 016	7,450* 3 379*	4,850 2 200
+5' 0" (1.52 m)	lbs kg			20,600* 9 344*	14,150 6 418	14,500* 6 577*	9,150 4 150	10,350 4 695	6,400 2 903	7,750* 3 515*	4,700 2 132
Ground Line	lbs kg	17,500* 7 938*	17,500* 7 938*	22,550* 10 228*	13,450 6 101	14,350 6 509	8,700 3 946	10,100 4 581	6,150 2 790	8,100 3 674	4,950 2 245
-5' 0" (1.52 m)	lbs kg	26,050* 11 816*	25,600 11 612	22,600* 10 251*	13,250 6 010	14,150 6 418	8,500 3 856	10,000 4 536	6,100 2 767	9,150 4 150	5,600 2 540
-10' 0" (3.05 m)	lbs kg	31,100* 14 106*	27,200 12 338	21,400 9 707	13,400 6 078	14,200 6 441	8,600 3 901			11,050* 5 012*	7,150 3 243
-15' 0" (4.57 m)	lbs kg	25,300* 11 476*	25,300* 11 476*	17,700* 8 028*	13,900 6 305						

### Notes: Excavator lifting capacities

- Lifting capacities shown should not be exceeded. Weight of all lifting accessories must be deducted from the above lifting capacities.
- Lifting capacities are based on machine standing on firm, uniform supporting surface. User must make allowances for job conditions such as soft or uneven ground.
- Lifting capacities shown do not exceed 75% of minimum tipping loads or 87% of hydraulic capacities. **Capacities marked with an asterisk (\*) are limited by hydraulic capacities.**
- Least stable position is over the side.
- Operator should be fully acquainted with the Operator's Manual & Operating Safety Booklet, furnished by LBX before operating the machine.
- Capacities apply only to the machine as originally manufactured and normally equipped by LBX Company, LLC.
- Lift capacity ratings are based on SAE J1097, "Earthmoving Machinery – Hydraulic Excavators – Lift Capacity."

# 210 X2 Specifications

## Bucket Sizes

Bucket Type	SAE Heaped Capacity		Width Outside Lip		Bucket Weight		Number of Teeth	Arm Length	
	(yd³)	(m³)	(in)	(mm)	(lbs)	(kg)		9'-8" 2.94 m	7'-11" 2.41 m
STDP	0.65	0.50	24	610	1151	522	4	H	H
	0.87	0.67	30	762	1265	574	4	H	H
	1.09	0.83	36	914	1433	650	5	H	H
	1.31	1.00	42	1067	1570	712	5	M	M
	1.53	1.17	48	1219	1687	765	5	L	L
	1.75	1.34	54	1372	1853	841	6	L	L
HDP	0.64	0.49	24	610	1392	631	3	H	H
	0.85	0.65	30	762	1592	722	4	H	H
	1.07	0.82	36	914	1794	814	5	H	H
	1.29	0.99	42	1067	1954	886	5	M	M
	1.51	1.15	48	1219	2114	959	5	L	L
	1.72	1.32	54	1372	2315	1050	6	N/A	L
XDP	0.64	0.49	24	610	1549	703	3	H	H
	0.85	0.65	30	762	1769	802	4	H	H
	1.07	0.82	36	914	1933	877	4	H	H
	1.29	0.99	42	1067	2152	976	5	L	M
	1.51	1.15	48	1219	2316	1051	5	L	L
	1.72	1.32	54	1372	2536	1150	6	N/A	L
POWER	0.61	0.47	24	610	1956	887	4	H	H
	0.8	0.61	30	762	2102	953	4	H	H
	0.99	0.76	36	914	2287	1037	5	M	H
	1.18	0.90	42	1067	2433	1104	5	L	M
	1.38	1.06	48	1219	2578	1169	5	L	L
DITCH	1.08	0.83	60	1524	1470	667	0	H	H
	1.20	0.92	66	1676	1557	706	0	M	H
	1.32	1.01	72	1829	1648	748	0	M	M

STDP - Standard duty plate  
HDP - Heavy duty plate  
XDP - Extreme duty plate  
POWER - HDP for use with ESCO multi-pin grabber only

### Approval Code For Arm/Bucket Combinations

H..... Heavy material  
(up to 3,370 lbs./yd³)  
M..... Medium material  
(up to 2,700 lbs./yd³)  
L..... Light material  
(up to 2,020 lbs./yd³)  
N/A..... Not applicable

## Standard Equipment

- KAB 815 sliding/reclining suspension seat with adjustable 4-inch armrests, lumbar support and retractable seat belt
- Safety glass front window with auto lock, windshield wiper and washer with intermittent speeds, Lexan® side and rear tinted windows
- 4-position tilting consoles with memory position and hydraulic lock-out
- Auto climate control a/c and heat
- AM/FM stereo with mute button, horn, interior light, digital clock, hour meter, floor mat, cup holder, sun shade, storage, LH and RH rear view mirrors
- Travel alarm with cancel switch
- Vandal guarding with bolt-on FOG capability
- EPA Tier III Isuzu diesel engine
- Common rail fuel injection
- Turbocharger with intercooler
- Neutral safety start
- Idle start
- Glow plug pre-heat
- Auto engine warm-up
- Auto idling system
- One-touch idle
- Dual remote fuel filters with water separation
- Double element air filter with in-cab restriction indicator
- External fuel gauge
- Remote, full-flow engine oil filter
- Green plug engine oil drain
- EPF Engine Protection
- Emergency engine stop
- Open-center hydraulic system
- Four selectable work modes including attachment mode
- Auto power boost
- Auto swing priority
- Swing cushion valve
- Pre-set auxiliary pump settings - 10
- Auxiliary valve
- Stackable main control valve
- Auxiliary pipe brackets
- Control levers pre-wired for auxiliary
- Control pattern changer
- Long undercarriage
- Sealed and lubricated track chain
- Two-speed with auto shift and straight travel
- Planetary drive
- Spring-applied, hydraulic release brake
- Hydraulic track adjust
- Swivel guard belly pan
- Track guide
- Vandal locks with common key
- 9,081 lb (4,119 kg) counterweight with lifting eyes
- Hand rail
- Tool box
- 18-ft 8-in boom
- EMS (Extended Maintenance System) 1,000 hour service interval throughout entire attachment except bucket
- Attachment cushion valve
- Arm and boom speed assistance
- Arm and boom regeneration
- Arm and boom holding valves
- Cylinder cushion
- Centralized lube bank
- Bucket anti-clatter device
- Illuminated LCD service monitor
- On-board diagnostic system
- Anti-theft device
- 12-volt accessory outlet
- 70-watt work lights on boom and upper

## Options

- Arms
  - 9-ft 8-in (2.94 m)
  - 7-ft 11-in (2.41 m)
- Tracks
  - 31.5-in (800 mm) 3-bar grouser
  - 27.5-in (700 mm) 3-bar grouser
  - 23.5-in (600 mm) rubber track
- Hydraulics
  - Single-acting with switch activation
  - Multi-function with switch activation and in-cab flow direction control
  - Thumb hydraulics with switch activation
  - Secondary auxiliary with switch activation for rotate or tilt
  - Combination auxiliary with multi-function and secondary hydraulics
- Couplers
  - ESCO multi-pin grabber
  - Dromone quick-coupler
- Thumbs
  - ESCO Universal rigid
  - ESCO Hydraulic non-link
  - ESCO Hydraulic non-link for coupler
  - ESCO Hydraulic link
  - ESCO Hydraulic link for coupler
- Cab lights - exterior
- Air-suspension seat
- Free Swing
- FOG guard
- Front guard - mesh or bars
- HD bucket linkage
- Track guides - triple
- Single pedal travel



LBX Company is the proud maker of quality Link-Belt excavators and is located in Lexington, KY.



www.lbxco.com

Litho in USA 8/30 #LBX2172 (Supersedes LBX2155)

© LBX and © Link-Belt are registered trademarks. Copyright 2011. All rights reserved. We are constantly improving our products and therefore reserve the right to change designs and specifications.