

Link-Belt
EXCAVATORS • FORESTRY
DEMOLITION • MATERIAL HANDLING

470^x₃

SPECIFICATIONS

SAE Net Horsepower:

with fan pump: 329 HP (245 kW)

without fan pump: 362 HP (270 kW)

Operating Weight: 111,554 lbs. (50 600 kg)

Digging Depth: 24 ft. 10 in. (7.57 m)



Cab

The Link-Belt X3 cab is the strongest and roomiest LBX has ever offered. The X3 cab is ROPS and FOPS Level 1 certified and is designed to be strong and safe without sacrificing operator comfort. There is plenty of room to rest work boots on the two foot rests on either side of the travel pedals and still have enough space for the straight line travel pedal (standard on 250X3 and larger).

Roomy

- 5% larger than X2 series cab
- 7% more floor space

Strong

- ROPS and FOPS Level 1 certified

Comfortable

- Fully-adjustable KAB seat, forward/backward, up/down
- Control consoles adjust independently of seat
- Adjustable arm rest angles, lumbar support, suspension

Optimum Visibility

- Sunroof with sunshade rated FOPS level 1
- Additional mirrors
- Standard rearview camera
- Wiper blade stores off front glass

Ergonomic Joysticks

- Low-effort
- Pre-wired for auxiliary hydraulics
- Function buttons for wiper swipe, horn, radio mute and one-touch idle
- Large, easy-to-push triggers

Quiet

- Pressurized cab
- 8% stronger climate control system with 8 vents
- Auxiliary sound jack to enjoy music or podcasts

Organized

- Logically located switches and controls
- Accessible 12V outlet for cell phone charging
- Cup holder
- Handy phone storage areas
- Removable ashtray; empty space can be used as an additional cup holder



High-Definition 7" LED Monitor

The Link-Belt X3's from LBX are equipped with an all new High-Definition LED monitor. The full-color 7-inch monitor is one of the largest in the industry and rivals the resolution and quality found in luxury automobiles.

The X3's user-friendly monitor panel includes an engine-idle shutdown option that safely shuts off the engine after 3 minutes of idling, conserving fuel. Another idle feature accessible from the monitor panel is the auto-idle feature that, when selected, takes the engine speed down to an idle level, conserving fuel while waiting for that next truck to show up.



The X3's use a "passive" regeneration process and the monitor clearly lets the operator know what is going on and if they need to do anything with the machine. The on-screen DPD gauge shows the level of particulate matter that the DPF is capturing and will clean it out every 8 hours by way of an Auto Regeneration. During the Auto Regeneration process, the operator does NOT have to do anything with the machine other than keep working. During a parked, or Manual Regeneration, the monitor will give the operator the appropriate instructions on what to do with the machine, making it as simple as possible.

In-Cab Control

- Select and set up attachments
- Track or monitor up to 13 service interval reminders
- Engine idle shutdown, which, when selected, safely shuts off the engine after 3 minutes of idling to conserve fuel
- Adjust hydraulic flow
- Option to adjust and set auxiliary hydraulic flows and pressures (210, 250, 300, 350 models only)
- 18 languages available

Monitor

- Fuel consumption gauge
- Full color display of standard rear view camera AND optional side-view camera on the same screen
- Monitor engine coolant and hydraulic oil temperatures
- Displays fuel level, travel mode, work mode and attachment mode
- System/Machine warning messages
- Work tool settings



A standard rear-view camera displays a panoramic view of the worksite from the rear of the machine, an optional side-view camera is available.



From the Computer Menu, you can change the monitor language, program service reminders and change auxiliary settings for flow and pressure to name a few.

Engine



Improvements over X2 engines:

- Up to 10% more fuel efficient
- Up to 8% faster
- Up to 7% more lift capacity

The fuel-efficient, powerful, productive, quiet and long-lasting Isuzu engine LBX uses in the Link-Belt X3 series meets the EPA's Interim Tier 4 (Tier 4a) requirements by way of cooled exhaust gas recirculation (EGR) technology and a diesel particulate diffuser system (DPD). The DPD consists of a diesel oxidation catalyst (DOC) and a diesel particulate filter (DPF) for "passive regeneration" of exhaust emissions. This is the cleanest running and most fuel efficient engine used in a Link-Belt excavator to date.

A new variable geometry turbocharger (VGT) helps optimize the combustion process and ensures consistent boost pressure during low engine rpm's. This maintains efficient machine performance and helps eliminate harmful nitrous oxides (NOx) from forming.

The X3 has three engine work modes to give the operator full control of the machine for the job at hand:



- **Speed Priority (SP mode)** is the fastest and most productive mode giving the operator peak machine performance to get the job done quickly.
- **Heavy (H mode)** is a perfect combination of fuel efficiency and productivity. It really is the best of both worlds!
- **Applied Power (A mode)** gives the operator 13 different engine rpm settings to choose from to easily fine tune the machine to the specific job at hand. This mode is perfect for heavy lifting, fine grading or leveling work, and pipeline contractors use it to safely set pipe down into the trench.



Intelligent Design

- Quiet
- Long-lasting
- One-touch idle and auto idle functions conserve fuel
- Idle start protects a cold engine from over-revving
- Auto engine warm up feature gradually increases engine speed until normal operating temperature is achieved

Hydraulics

The Link-Belt X3's from LBX are equipped with two Kawasaki variable-displacement axial-piston pumps and one Kawasaki gear pump installed in-line with the engine. This is the most efficient hydraulic pump layout – keeping engine rpm's low while producing plenty of hydraulic muscle.

The X3 uses an open center hydraulic system which refers to the open passage in the control valve that allows the hydraulic oil to return to tank when the control valve is centered. This design gives the machine a much smoother feeling when operating and also eliminates excess pressure throughout the system, which, in turn, helps to conserve fuel.

Powerful & Productive

- Auto Power Boost gives 9% more hydraulic pressure (power) for 8 seconds
- More speed through larger hydraulic lines
- Improved oil regeneration circuits

Safe

- Boom and arm holding valves
- Standard hydraulic control pattern change valve to move between ISO and SAE
- Standard straight-line travel on 250 class and larger
- Optional "Free Swing" auto-centers the machine over the load and takes out the pendulum effect of large, long loads

Long-lasting

- Continuous filtration of 5000-hour hydraulic oil through a 6 micron, full-flow return filter
- Less wear due to reduced back pressure



Serviceability

Easy to maintain

- Ground level access to:
 - ✓ Batteries
 - ✓ Dual fuel filters with water separators
 - ✓ Engine oil filter
 - ✓ Dual element air filter
 - ✓ Cab fresh air filter
- Green drain plug and hose
- Easy-open engine hood
- Easy-access in-cab fuse box accessible while seated in cab seat
- Side-by-side oil cooler/radiator design is easy to clean
- Quick and easy access to grease all attachment pivot points
- Grease cylinder track adjusters make adjusting track tension a breeze

Maintenance reminders

- In-cab monitor will track 13 different serviceable items:
 - ✓ 5 reminders for engine items
 - ✓ 5 for hydraulic items
 - ✓ 3 other reminders

Simple

- Flexible and heat-resistant color-coded wiring harnesses
- External fuel site gauge can be viewed from ground-level to see fuel levels
- Lube and maintenance charts posted inside toolbox for readability and protection from the elements

Performance

Improvements and Optimizations

- 7% increased lift capacity over X2 series
- 10% better fuel efficiency than X2 series
- 8% faster cycle times
- Time will be saved in switching out the attachment tools via the in-cab monitor



Innovation at Work



Durability

LBX built the Link-Belt X3 series to last, and they come with one of the best standard warranties in the industry. We back our machines with a 1-year / 1,800 hour full machine warranty, a 2-year / 3,000 hour engine warranty, and a 3-year / 10,000 hour XtraStructure warranty that even covers the turntable bearing and tub.



EMS (Extended Maintenance System) chrome pins and grease impregnated brass bushings with graphite inserts reduce wear-and-tear and can be found throughout the attachment. This design makes it possible to extend lube intervals to 6 months or 1,000 hours at all pivot points excluding the bucket which is monthly or 250 hours, whichever comes first.

Strong

- All booms and arms are ultrasound tested at the factory
- X-Pattern carbody made with high tensile strength steel
- Turntable bearing tub extends through the carbody and is welded on top and bottom
- Factory standard belly pan guard
- D-channel sideframes provide excellent impact resistance
- Cab is FOPS level 1 and ROPS certified
- Thicker steel plating on the attachment
- Standard HD linkage on 350 X3 and 470 X3 and on all Link-Belt X3 excavators ordered with factory hydraulic packages



X-Pattern carbody



Turntable bearing tub

Options

- Pre-existing mounting bosses make adding additional guarding easy
- Rubber bumper guarding
- Catwalks



D-channel sideframes



Specifications

Engine

Isuzu AL-6UZ1X Tier 4A turbocharged diesel engine with electronic control (ECM) and high pressure common-rail fuel injection, 6-cylinder, Water-cooled, Cooled Exhaust Gas Recirculation (CEGR), Intercooler, Variable-Geometry Turbocharger (VGT), Diesel Particulate Diffuser (DPD) with Diesel Oxidation Catalyst (DOC) and Diesel Particulate Filter (DPF) for "passive regeneration" of exhaust emissions, Electronic fuel pump and priming, Fuel cooler, Auto-idle start, Auto warm-up, Reversible Fan, EPF engine protection, Dual-stage fuel filtration, In-cab fuel filter restriction indicator, Remote oil filter, Green plug oil drain, Double element air filter.

SAE Net Horsepower
 without fan pump...362 hp (270 kW) @ 2,000 rpm
 with fan pump...329 hp (245 kW) @ 2,000 rpm
 Displacement.....600 cu in (9.8 L)
 Max. Torque...1,058 lbf-ft (1,435 Nm) @ 1,500 rpm
 Starter24V-5.5 kW
 Alternator.....50 amp
 Battery.....(2) 12-volt 128 amp hours

Cab and Controls

ROPS enclosed cab with climate control A/C and heat with defroster, Control panel with LED Hi-Definition color monitor, Rearview camera display, Fuel-efficiency gauge, DPF regeneration gauge, Low-effort joysticks pre-wired for auxiliary hydraulics, Control pattern changer, Safety glass windows, Sunroof with sunshade, Shockless cab suspension with four fluid mountings, KAB® reclining suspension seat, Sliding 4-position tilting control consoles, AM/FM sound system with MP3 auxiliary input jack, Digital clock, Dome light, Seat belt, Coat hook, Cup holder, Storage compartments, Floor mat, Footrests, Ashtray, 24-volt cigarette lighter, 12-volt outlet, Travel alarm, Handrails, Mirrors, Side-entry cab filter, Spare parts kit.

Four selectable working modes, Anti-theft password protection system, On-board self-diagnostic system with memory and service interval reminders, Auto-idling system, One-touch decelerator, Auto-idle engine shutdown, Auto-power boost, Neutral safety start, Gate-lock safety shutoff.

A/C Rating19,840 BTU/h
 Heater Rating21,030 BTU/h
 Sound Level - Cab Interior.....73.0 dB(A)
 Sound Level - Exterior.....104.0 dB(A)

Hydraulic System

Open-center system, Two variable-displacement axial-piston pumps and one gear pump for pilot controls, Main control valve with one 4-spool section and one 5-spool section with auxiliary spool: stackable, Auxiliary Control System, Oil cooler, Auto-power boost, Boom and arm holding valves, 6 micron return filter, Firewall.

Hydraulic Pumps

Pump Output2 x 96.2 gpm (364 L/min)
 Pilot Pump Maximum Flow ...7.9 gpm (30.0 L/min)

Relief Valve Settings

Boom Up/Arm/Bucket...4,550 psi (31.4 MPa)
 in Power Boost4,970 psi (34.3 MPa)
 Boom Down3,550 psi (24.5 MPa)
 Swing Circuit.....4,260 psi (29.4 MPa)
 Travel Circuit4,970 psi (34.3 MPa)

Hydraulic Cylinders

number of cylinders - bore x rod x stroke
 Boom2 - 6.7" x 4.5" x 61.0"
 (170 mm x 115 mm x 1,550 mm)
 Arm1 - 7.5" x 5.1" x 71.7"
 (190 mm x 130 mm x 1,820 mm)
 Bucket1 - 6.5" x 4.5" x 50.6"
 (165 mm x 115 mm x 1,285 mm)
 Arm (Mass)1 - 7.9" x 5.5" x 71.7"
 (200 mm x 140 mm x 1,820 mm)
 Bucket (Mass)1 - 6.7" x 4.5" x 52.6"
 (170 mm x 115 mm x 1,335 mm)

Swing

Planetary reduction powered by axial-piston motor, Internal ring gear with grease cavity for swing pinion, Swing bearing is single-row, shear type ball bearing, Mechanical disc swing brake, Auto-power swing.

Swing Speed.....9.1 rpm
 Tail Swing12' 3" (3.73 m)
 Swing Torque110,634 lbf-ft (150.0 kNm)

Undercarriage

Fixed or expandable carbody with 17' 11" (5.45 m) LC long undercarriage, Sealed and strutted track chain with track guide, Sealed rollers and idlers, Two-speed independent hydrostatic travel with compact planetary final drive, Disc type brakes, Adjustable track tension, Carbody belly pan.

Track Rollers9 per Side
 Track Link Pitch9.00" (229 mm)
 Shoes50 per Side
 Shoe Width.....35.5" (900 mm)
 Ground Pressure
 Fixed Undercarriage8.12 psi (0.056 MPa)
 Expandable Undercarriage...8.41 psi (0.058 MPa)

Travel System

Two-speed independent hydrostatic travel with compact axial-piston motors, Hydraulic motor powered output shaft coupled to a planetary reduction drive and track sprocket, All hydraulic components mounted within the width of side frame, Automatic downshift for high torque to overcome obstacles, Spring-applied hydraulic release parking brake built into each motor, Travel motors equipped with counterbalance valve to prevent over-speeding down an incline, Single-pedal straight line travel.

Travel Speeds...2.0 - 3.3 mph (3.2 - 5.3 km/h)
 Drawbar Pull76,210 lbf (339 kN)
 Gradeability.....70% (35°)

Attachment

Boom22' 11" (6.98 m)
 Boom (Mass)21' 6" (6.55 m)

Available Arms (Standard) Digging Force

- 11' 1" (3.38 m)42,490 lbf (189 kN)
 with Auto Power Boost...46,310 lbf (206 kN)
- 8' 4" (2.53 m)52,160 lbf (232 kN)
 with Auto Power Boost...57,100 lbf (254 kN)
- 13' 2" (4.00 m)37,090 lbf (165 kN)
 with Auto Power Boost...40,690 lbf (181 kN)
- 15' 11" (4.85 m)32,600 lbf (145 kN)
 with Auto Power Boost...35,740 lbf (159 kN)

Bucket Digging Force.....55,530 lbf (247 kN)
 with Auto Power Boost...60,700 lbf (270 kN)

Available Arms (Mass) Digging Force

- 8' 4" (2.53 m)57,330 lbf (255 kN)
 with Auto Power Boost...62,720 lbf (279 kN)

Bucket Digging Force.....64,300 lbf (286 kN)
 with Auto Power Boost...70,370 lbf (313 kN)

Lubricant and Coolant Capacity

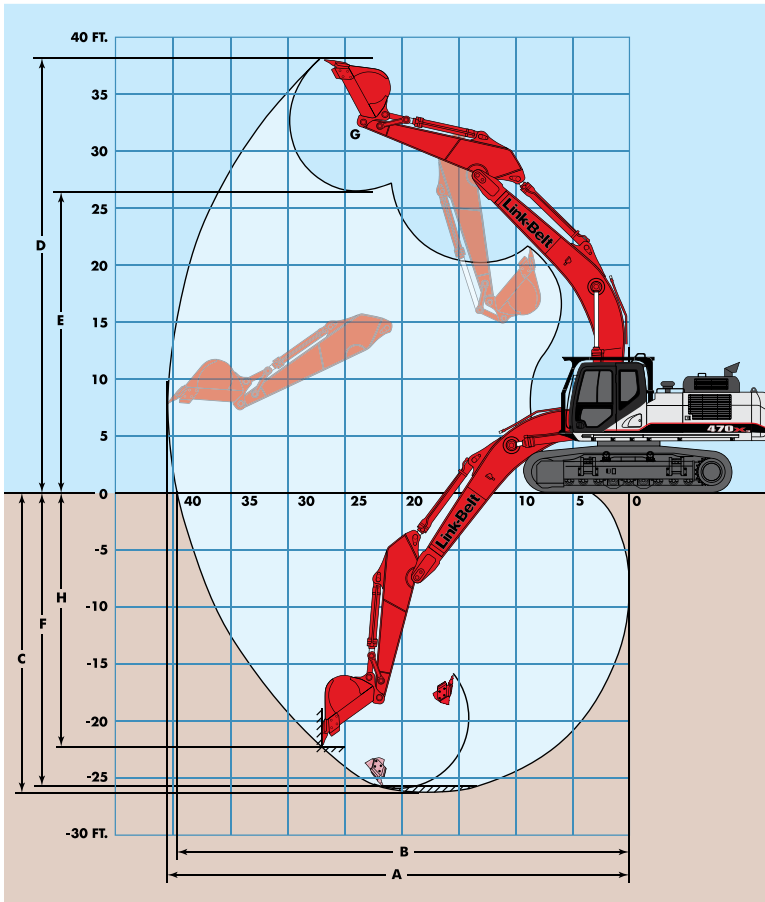
Fuel Tank.....171.7 Gallons (650.0 Liters)
 Hydraulic System ...121.5 Gallons (460.0 Liters)
 Hydraulic Tank.....60.8 Gallons (230.0 Liters)
 Final Drive (per side)4.0 Gallons (15.0 Liters)
 Swing Drive2.8 Gallons (10.5 Liters)
 Engine Oil.....9.5 Gallons (36.0 Liters)
 Coolant System.....12.4 Gallons (47.0 Liters)

Operating Weight

Working weight with 35.5" (900 mm) shoes,
 22' 11" (6.98 m) boom, 11' 1" (3.38 m) arm,
 3,350 lb. (1 520 kg) bucket, 22,046 lbs
 (10 000 kg) counterweight
 Expandable sideframe...111,554 lbs. (50 600 kg)
 fixed sideframe108,467 lbs. (49 200 kg)
 Mass Excavator
 Expandable sideframe...114,199 lbs. (51 800 kg)
 fixed sideframe111,113 lbs. (50 400 kg)

470X₃

Working Ranges



470 X3 with fixed sideframe

Machine equipped with 22' 11" (6.98 m) boom	11' 1" Arm (3.38 m)	8' 4" Arm (2.53 m)	13' 2" Arm (4.00 m)	15' 11" Arm (4.85 m)
A. Maximum reach	39' 4" (12.00 m)	36' 10" (11.23 m)	41' 2" (12.55 m)	44' 0" (13.40 m)
B. Maximum reach @ ground level	38' 7" (11.77 m)	36' 1" (10.99 m)	40' 5" (12.33 m)	43' 4" (13.20 m)
C. Maximum dig depth	25' 4" (7.72 m)	22' 6" (6.87 m)	27' 4" (8.34 m)	30' 2" (9.20 m)
D. Maximum dig height	36' 7" (11.14 m)	35' 6" (10.82 m)	37' 2" (11.34 m)	38' 11" (11.86 m)
E. Maximum dump height	25' 5" (7.74 m)	24' 4" (7.42 m)	26' 1" (7.94 m)	27' 7" (8.42 m)
F. Digging depth - 8' (2.44 m) level bottom	24' 10" (7.58 m)	22' 11" (6.99 m)	26' 11" (8.21 m)	29' 9" (9.08 m)
G. Bucket rotation	176°	176°	176°	176°
H. Maximum vertical wall depth	21' 7" (6.57 m)	18' 7" (5.67 m)	23' 6" (7.16 m)	27' 0" (8.22 m)

470 X3 with expandable sideframe

Machine equipped with 22' 11" (6.98 m) boom	11' 1" Arm (3.38 m)	8' 4" Arm (2.53 m)	13' 2" Arm (4.00 m)	15' 11" Arm (4.85 m)
A. Maximum reach	39' 4" (12.00 m)	36' 10" (11.23 m)	41' 2" (12.55 m)	44' 0" (13.40 m)
B. Maximum reach @ ground level	38' 6" (11.74 m)	35' 11" (10.95 m)	40' 4" (12.30 m)	43' 3" (13.17 m)
C. Maximum dig depth	24' 10" (7.57 m)	22' 1" (6.72 m)	26' 10" (8.19 m)	29' 8" (9.04 m)
D. Maximum dig height	37' 0" (11.29 m)	36' 0" (10.97 m)	37' 8" (11.49 m)	39' 5" (12.01 m)
E. Maximum dump height	25' 11" (7.89 m)	24' 10" (7.57 m)	26' 7" (8.09 m)	28' 1" (8.57 m)
F. Digging depth - 8' (2.44 m) level bottom	24' 5" (7.43 m)	21' 5" (6.54 m)	26' 5" (8.06 m)	29' 4" (8.93 m)
G. Bucket rotation	176°	176°	176°	176°
H. Maximum vertical wall depth	21' 1" (6.42 m)	18' 1" (5.52 m)	23' 0" (7.00 m)	26' 5" (8.06 m)

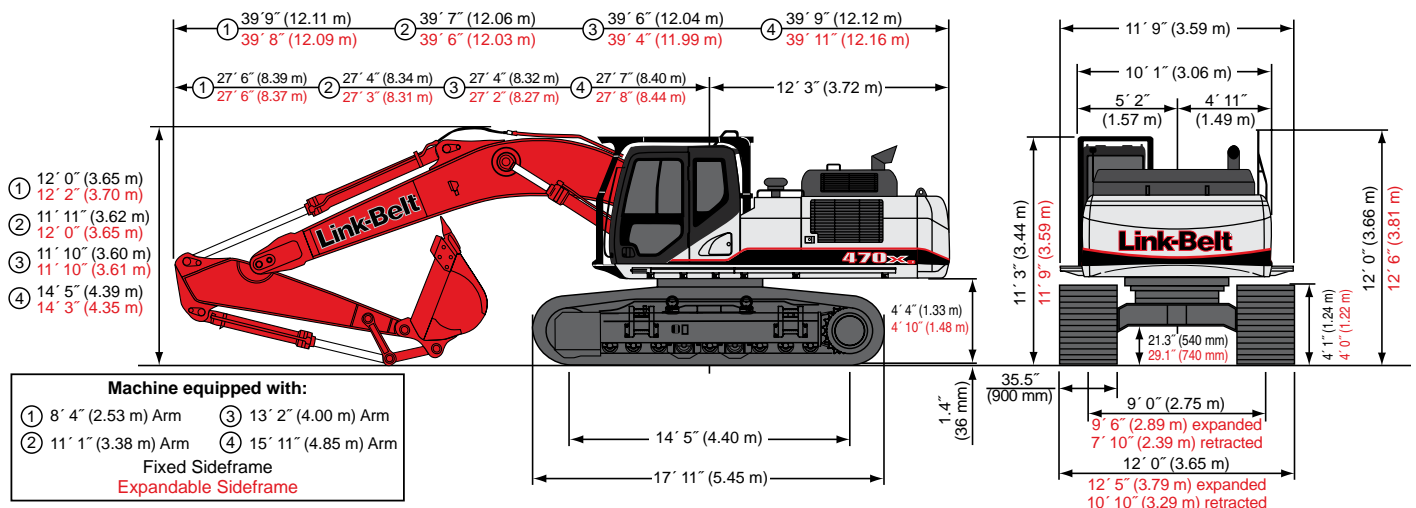
470 X3 Mass excavator with fixed sideframe

Machine equipped with 21' 6" (6.55 m) boom	8' 4" Arm (2.53 m)
A. Maximum reach	35' 6" (10.81 m)
B. Maximum reach @ ground level	34' 8" (10.56 m)
C. Maximum dig depth	21' 4" (6.49 m)
D. Maximum dig height	34' 6" (10.52 m)
E. Maximum dump height	23' 7" (7.18 m)
F. Digging depth - 8' (2.44 m) level bottom	20' 9" (6.32 m)
G. Bucket rotation	161°
H. Maximum vertical wall depth	16' 2" (4.92 m)

470 X3 Mass excavator w/ expandable sideframe

Machine equipped with 21' 6" (6.55 m) boom	8' 4" Arm (2.53 m)
A. Maximum reach	35' 6" (10.81 m)
B. Maximum reach @ ground level	34' 6" (10.52 m)
C. Maximum dig depth	20' 10" (6.34 m)
D. Maximum dig height	35' 0" (10.67 m)
E. Maximum dump height	24' 1" (7.34 m)
F. Digging depth - 8' (2.44 m) level bottom	20' 3" (6.16 m)
G. Bucket rotation	161°
H. Maximum vertical wall depth	15' 8" (4.77 m)

Travel Dimensions



Lifting Capacities - ISO Ratings

Radius of Load - 470 X3 with Fixed Sideframes																	
11' 1" (3.38 m) Arm with 22' 11" (6.98 m) Boom and 3,195 lb. (1 450 kg) Bucket with Power-Boost Applied																	
	5' 0" (1.5 m)		10' 0" (3.0 m)		15' 0" (4.5 m)		20' 0" (6.0 m)		25' 0" (7.5 m)		30' 0" (9.0 m)		35' 0" (10.5 m)		Cap at Max. Reach		
	End	Side	End	Side	End	Side	End	Side	End	Side	End	Side	End	Side	End	Side	
+30' 0" lbs												12250*	12250*			10600*	10600*
(9.0 m) kg												6520*	6520*			4780*	4780*
+25' 0" lbs												18000*	17400*			10150*	10150*
(7.5 m) kg												8210*	8130*			4580*	4580*
+20' 0" lbs									21650*	21650*	19700*	17000*	14100*	12650*	10000*	10000*	
(6.0 m) kg									9950*	9950*	9170*	7920*	7220*	5920*	4540*	4540*	
+15' 0" lbs							29250*	29250*	24150*	22250*	21100*	16350*	18450*	12350*	10200*	10200*	
(4.5 m) kg							13570*	13570*	11150*	10340*	9680*	7620*	8570*	5770*	4620*	4620*	
+10' 0" lbs					45800*	45800*	34200*	29900*	26900*	21100*	22550*	15700*	19450*	12000*	10600*	10350*	
(3.0 m) kg					21180*	21180*	15880*	13870*	12440*	9790*	10400*	7290*	8980*	5590*	4810*	4690*	
+5' 0" lbs					50950*	43250*	37750*	28100*	29050*	20050*	23750*	15050*	19150*	11650*	11250*	10250*	
(1.5 m) kg					23570*	20070*	17460*	13050*	13440*	9310*	10970*	7000*	8910*	5420*	5110*	4650*	
Ground Line lbs			20800*	20800*	50550*	41550*	39000*	26950*	30050*	19300*	24050*	14600*	18900*	11400*	12350*	10600*	
kg			9130*	9130*	21880*	19260*	18020*	12510*	13900*	8960*	11180*	6780*	8780*	5300*	5610*	4810*	
-5' 0" lbs	22400*	22400*	32600*	32600*	52450*	41850*	38550*	26600*	29800*	19000*	23800*	14400*			14050*	11450*	
(1.5 m) kg	10020*	10020*	14530*	14530*	24110*	19310*	17810*	12350*	13780*	8820*	11040*	6690*			6360*	5190*	
-10' 0" lbs	35550*	35550*	44400*	44400*	48700*	42300*	36600*	26800*	28350*	19100*	21850*	14650*			16800*	13100*	
(3.0 m) kg	16010*	16010*	19730*	19730*	22480*	19700*	16930*	12450*	13140*	8880*	10220*	6790*			7580*	5910*	
-15' 0" lbs			56600*	56600*	41950*	41900*	31950*	27450*	24150*	19750*					17750*	16150*	
(4.5 m) kg			26180*	26180*	19460*	19460*	14880*	12730*	11360*	9140*					8040*	7240*	
-20' 0" lbs					30550*	30550*	22600*	22600*							15600*	15600*	
(6.0 m) kg					14450*	14450*	10860*	10860*							7180*	7180*	

Radius of Load - 470 X3 with Fixed Sideframes															
8' 4" (2.53 m) Arm with 22' 11" (6.98 m) Boom and 3,350 lb. (1 520 kg) Bucket with Power-Boost Applied															
	10' 0" (3.0 m)		15' 0" (4.5 m)		20' 0" (6.0 m)		25' 0" (7.5 m)		30' 0" (9.0 m)		35' 0" (10.5 m)		Cap at Max. Reach		
	End	Side	End	Side	End	Side	End	Side	End	Side	End	Side	End	Side	
+30' 0" lbs							18850*	18850*					15400*	15400*	
(9.0 m) kg							7700*	7700*					6940*	6940*	
+25' 0" lbs							21950*	21950*	19250*	16900*			14650*	14650*	
(7.5 m) kg							10130*	10130*	9220*	7910*			6630*	6630*	
+20' 0" lbs					24700*	24700*	24100*	22750*	21300*	16600*			14450*	13550*	
(6.0 m) kg					12100*	12100*	11060*	10560*	9860*	7740*			6560*	6110*	
+15' 0" lbs			41300*	41300*	32250*	30850*	26050*	21750*	22800*	16050*			14700*	12300*	
(4.5 m) kg			19240*	19240*	14980*	14300*	12040*	10090*	10480*	7480*			6660*	5550*	
+10' 0" lbs			49200*	44500*	36650*	29100*	28400*	20700*	23650*	15500*	17750*	11900*	15200*	11700*	
(3.0 m) kg			22870*	20570*	17000*	13480*	13140*	9600*	10900*	7200*	9040*	5550*	6900*	5300*	
+5' 0" lbs			40200*	40200*	39000*	27600*	30000*	19800*	24350*	14950*	16550*	11650*	16150*	11650*	
(1.5 m) kg			16910*	16910*	18030*	12800*	13860*	9200*	11270*	6960*	8910*	5430*	7320*	5280*	
Ground Line lbs			46150*	41000*	39050*	26750*	30250*	19250*	24100*	14650*			17600*	12100*	
kg			19990*	19000*	18040*	12430*	13980*	8930*	11190*	6800*			7990*	5500*	
-5' 0" lbs	36550*	36550*	50200*	42000*	37950*	26800*	29500*	19150*	23100*	14700*			20000*	13300*	
(1.5 m) kg	16460*	16460*	23110*	19420*	17520*	12450*	13650*	8900*	10760*	6810*			9070*	6020*	
-10' 0" lbs	52000*	52000*	44800*	42500*	34600*	27250*	26700*	19550*					19250*	15600*	
(3.0 m) kg	23070*	23070*	20680*	19760*	16030*	12650*	12430*	9060*					8770*	7030*	
-15' 0" lbs	45050*	45050*	36050*	36050*	27850*	27400*							17650*	17650*	
(4.5 m) kg	20910*	20910*	16770*	16770*	13070*	12730*							8030*	8030*	

Notes: Excavator lifting capacities

- Lifting capacities shown should not be exceeded. Weight of all lifting accessories must be deducted from the above lifting capacities.
- Lifting capacities are based on machine standing on firm, uniform supporting surface. User must make allowances for job conditions such as soft or uneven ground.
- Lifting capacities shown do not exceed 75% of minimum tipping loads or 87% of hydraulic capacities. Capacities marked with an asterisk (*) are limited by hydraulic capacities.
- Least stable position is over the side.
- Operator should be fully acquainted with the Operator's Manual & Operating Safety Booklet, furnished by LBX before operating the machine.
- Capacities apply only to the machine as originally manufactured and normally equipped by LBX Company, LLC.
- Lift capacity ratings are based on ISO 10567, "Earthmoving Machinery - Hydraulic Excavators - Lift Capacity."

Lifting Capacities - ISO Ratings

Radius of Load - 470 X3 with Fixed Sideframes																	
13' 2" (4.00 m) Arm with 22' 11" (6.98 m) Boom and 3,017 lb. (1 368 kg) Bucket with Power-Boost Applied																	
		5' 0" (1.5 m)		10' 0" (3.0 m)		15' 0" (4.5 m)		20' 0" (6.0 m)		25' 0" (7.5 m)		30' 0" (9.0 m)		35' 0" (10.5 m)		Cap at Max. Reach	
		End	Side	End	Side	End	Side	End	Side	End	Side	End	Side	End	Side	End	Side
+30' 0"	lbs											12050*	12050*			8250*	8250*
(9.0 m)	kg											5520*	5520*			3710*	3710*
+25' 0"	lbs											15550*	15550*	10500*	10500*	7900*	7900*
(7.5 m)	kg											7220*	7220*	5490*	5490*	3570*	3570*
+20' 0"	lbs											18200*	17550*	14700*	13150	7800*	7800*
(6.0 m)	kg											8590*	8150	7060*	6140	3540*	3540*
+15' 0"	lbs							22700*	22700*	22850*	22650*	20100*	16850	17600*	12750	7950*	7950*
(4.5 m)	kg							11140*	11140*	10560*	10490	9230*	7850	8260*	5960	3600*	3600*
+10' 0"	lbs			40200*	40200*	45100*	45100*	32450*	30700	25900*	21700	21900*	16100	19050*	12350	8250*	8250*
(3.0 m)	kg			15800*	15800*	20920*	20920*	15040*	14240*	11970*	10080	10100*	7500	8780*	5750	3760*	3760*
+5' 0"	lbs			17800*	17800*	50300*	44600	36700*	28850	28450*	20550	23400*	15400	19450	11900	8800*	8800*
(1.5 m)	kg			7650*	7650*	23100*	20710	16970*	13400	13140*	9540	10800*	7170	9050	5550	4010*	4010*
Ground Line	lbs			23300*	23300*	52800*	42350	38850*	27450	29950*	19650	24250*	14850	19100	11600	9700*	9700*
	kg			10300*	10300*	24170*	19690	17960*	12740	13840*	9130	11210*	6910	8880	5390	4390*	4390*
-5' 0"	lbs	21800*	21800*	31200*	31200*	53400*	41800	38950*	26750	30150*	19150	23950	14500	18950	11450	11000*	10600
(1.5 m)	kg	9770*	9770*	13910*	13910*	24560*	19430	17990*	12420	13930*	8890	11140	6750	8800	5320	4970*	4790
-10' 0"	lbs	31750*	31750*	40800*	40800*	51000*	42100	37800*	26750	29300*	19150	23150*	14550			13100*	11900
(3.0 m)	kg	14280*	14280*	18120*	18120*	23560*	19590	17480*	12430	13570*	8880	10760*	6760			5890*	5370
-15' 0"	lbs	40800*	40800*	55400*	55400*	45600*	42500*	34400*	27250	26450*	19500	19450*	15050			16750*	14250
(4.5 m)	kg	18220*	18220*	24990*	24990*	21140*	19760	15970*	12640	12340*	9050	9270*	6990			7510*	6400
-20' 0"	lbs			49100*	49100*	36300*	36300*	27400*	27250*	19300*	19300*					16550*	16550*
(6.0 m)	kg			23040*	23040*	17030*	17030*	12920*	12670	9390*	9140*					7570*	7570*

Radius of Load - 470 X3 with Fixed Sideframes																			
15' 11" (4.85 m) Arm with 22' 11" (6.98 m) Boom and 2,776 lb. (1 259 kg) Bucket with Power-Boost Applied																			
		5' 0" (1.5 m)		10' 0" (3.0 m)		15' 0" (4.5 m)		20' 0" (6.0 m)		25' 0" (7.5 m)		30' 0" (9.0 m)		35' 0" (10.5 m)		40' 0" (12.0 m)		Cap at Max. Reach	
		End	Side	End	Side	End	Side	End	Side	End	Side	End	Side	End	Side	End	Side	End	Side
+35' 0"	lbs																	7500*	7500*
(10.5 m)	kg																	3360*	3360*
+30' 0"	lbs													9300*	9300*			6900*	6900*
(9.0 m)	kg													4730*	4730*			3100*	3100*
+25' 0"	lbs													12250*	12250*			6600*	6600*
(7.5 m)	kg													5750*	5750*			2980*	2980*
+20' 0"	lbs											16600*	16600*	13950*	13450	8750*	8750*	6500*	6500*
(6.0 m)	kg											7690*	7690*	6460*	6290	4610*	4610*	2940*	2940*
+15' 0"	lbs											18150*	17200	15900*	13000	11300*	9950	6550*	6550*
(4.5 m)	kg											8340*	7990	7380*	6070	5600*	4650	2980*	2980*
+10' 0"	lbs					38750*	38750*	29200*	29200*	23750*	22250	20300*	16400	17800*	12500	12900*	9650	6800*	6800*
(3.0 m)	kg					17790*	17790*	13520*	13520*	10980*	10320	9370*	7630	8210*	5820	6330*	4510	3090*	3090*
+5' 0"	lbs			26750*	26750*	48050*	45650*	34150*	29550	26750*	20900	22200*	15550	19000*	11950	13650*	9350	7200*	7200*
(1.5 m)	kg			11440*	11440*	22290*	21200	15800*	13710	12360*	9700	10240*	7240	8770*	5570	6780*	4370	3280*	3280*
Ground Line	lbs			23650*	23650*	51050*	42850	37450*	27700	28900*	19750	23500*	14850	19050	11500	12800*	9100	7850*	7850*
	kg			10450*	10450*	23430*	19930	17300*	12870	13340*	9180	10850*	6910	8860	5360	6620*	4250	3560*	3560*
-5' 0"	lbs	18750*	18750*	28600*	28600*	52800*	41350	38650*	26550	29800*	19000	23850	14350	18700	11200		8800*	8800*	
(1.5 m)	kg	8400*	8400*	12720*	12720*	24290*	19210	17840*	12330	13770*	8830	11080*	6680	8710	5230		3990*	3990*	
-10' 0"	lbs	26750*	26750*	36000*	36000*	52250*	41250	38150*	26250	29450*	18750	23550	14200	18650*	11200		10300*	10050	
(3.0 m)	kg	12020*	12020*	15990*	15990*	24140*	19190	17620*	12210	13620*	8710	10910*	6600	8680	5210		4630*	4540	
-15' 0"	lbs	34950*	34950*	46400*	46400*	48700*	41700	36100*	26500	27900*	18900	21750*	14450				12650*	11700	
(4.5 m)	kg	15480*	15480*	20470*	20470*	22540*	19410	16730*	12310	12960*	8780	10180*	6690				5660*	5260	
-20' 0"	lbs	44500*	44500*	59050*	59050*	41800*	41500*	31350*	27150	23750*	19550	16100*	14800				15750*	14700	
(6.0 m)	kg	19830*	19830*	26590*	26590*	19490*	19320	14660*	12620	11180*	9060	8010*	6920*				7130*	6550	
-25' 0"	lbs			40750*	40750*	29900*	29900*	21800*	21800*								13950*	13950*	
(7.5 m)	kg			19500*	19500*	14300*	14300*	10570*	10570*								6420*	6420*	

Lifting Capacities - ISO Ratings

Radius of Load - 470 X3 with Expandable Sideframes																	
11' 1" (3.38 m) Arm with 22' 11" (6.98 m) Boom and 3,195 lb. (1 450 kg) Bucket with Power-Boost Applied																	
	5' 0" (1.5 m)		10' 0" (3.0 m)		15' 0" (4.5 m)		20' 0" (6.0 m)		25' 0" (7.5 m)		30' 0" (9.0 m)		35' 0" (10.5 m)		Cap at Max. Reach		
	End	Side	End	Side	End	Side	End	Side	End	Side	End	Side	End	Side	End	Side	
+30' 0" lbs												13350*	13350*			10550*	10550*
(9.0 m) kg												6850*	6850*			4750*	4750*
+25' 0" lbs												18050*	18050*			10100*	10100*
(7.5 m) kg												8270*	8270*			4580*	4580*
+20' 0" lbs									21850*	21850*	19900*	18350	14650*	13750	10000*	10000*	
(6.0 m) kg									10030*	10030*	9260*	8530	7430*	6430	4540*	4540*	
+15' 0" lbs					38750*	38750*	29750*	29750*	24400*	23800	21200*	17700	18750*	13450	10200*	10200*	
(4.5 m) kg					17890*	17890*	13820*	13820*	11280*	11050*	9740*	8230	8610*	6270	4630*	4630*	
+10' 0" lbs					46550*	46550*	34650*	32250	27150*	22750	22700*	17000	19550*	13050	10650*	10650*	
(3.0 m) kg					21520*	21520*	16080*	14950	12560*	10570	10470*	7900	9020*	6090	4820*	4820*	
+5' 0" lbs					51300*	47050	37950*	30450	29250*	21750	23850*	16350	19750	12700	11350*	11300	
(1.5 m) kg					23590*	21790*	17570*	14140	13510*	10090	11010*	7610	9180	5920	5150*	5120	
Ground Line lbs			22100*	22100*	50900*	45350	39000*	29300	30100*	21000	24200*	15900	19500	12500	12500*	11700	
kg			9750*	9750*	22040*	21010	18010*	13620	13910*	9750	11200*	7400	9060	5810	5660*	5310	
-5' 0" lbs	23850*	23850*	33600*	33600*	52200*	45900	38450*	29050	29750*	20750	23700*	15750			14300*	12700	
(1.5 m) kg	10690*	10690*	14980*	14980*	24040*	21110	17770*	13500	13760*	9630	11000*	7320			6450*	5760	
-10' 0" lbs	36350*	36350*	45750*	45750*	48150*	46050	36250*	29300	28050*	20900	21500*	16050			17300*	14600	
(3.0 m) kg	16370*	16370*	20340*	20340*	22250*	21400	16780*	13610	13030*	9710	10080*	7440			7750*	6580	
-15' 0" lbs			55250*	55250*	41050*	41050*	31300*	29550	23500*	21300					17650*	17650*	
(4.5 m) kg			25620*	25620*	19060*	19060*	14590*	13730*	11070*	9900					7970*	7970*	
-20' 0" lbs					29000*	29000*	21200*	21200*							15250*	15250*	
(6.0 m) kg					13780*	13780*	10260*	10260*							7000*	7000*	

Radius of Load - 470 X3 with Expandable Sideframes														
8' 4" (2.53 m) Arm with 22' 11" (6.98 m) Boom and 3,350 lb. (1 520 kg) Bucket with Power-Boost Applied														
	10' 0" (3.0 m)		15' 0" (4.5 m)		20' 0" (6.0 m)		25' 0" (7.5 m)		30' 0" (9.0 m)		35' 0" (10.5 m)		Cap at Max. Reach	
	End	Side	End	Side	End	Side	End	Side	End	Side	End	Side	End	Side
+30' 0" lbs							19650*	19650*					15300*	15300*
(9.0 m) kg							7810*	7810*					6880*	6880*
+25' 0" lbs							22200*	22200*	20250*	18300			14600*	14600*
(7.5 m) kg							10340*	10340*	9250*	8540			6620*	6620*
+20' 0" lbs						27850*	27850*	24250*	24000	21450*	17950		14450*	14450*
(6.0 m) kg						12920*	12920*	11130*	11120*	9940*	8360		6570*	6570*
+15' 0" lbs			42150*	42150*	32750*	32700	26300*	23400	22900*	17400			14750*	13350
(4.5 m) kg			19630*	19630*	15210*	15160*	12150*	10870	10520*	8090			6680*	6030
+10' 0" lbs			49800*	48250	37000*	31400	28650*	22350	23750*	16800	17950*	13000	15300*	12750
(3.0 m) kg			22940*	22240	17150*	14570	13240*	10380	10950*	7810	9310	6050	6930*	5790
+5' 0" lbs			40200*	40200*	39050*	29950	30100*	21500	24400*	16300			16200*	12750
(1.5 m) kg			16970*	16970*	18060*	13900	13900*	9990	11280*	7570			7380*	5800
Ground Line lbs			47300*	44900	39000*	29200	30200*	20950	24300*	16000			17850*	13350
kg			20530*	20530*	18020*	13570	13960*	9730	11240*	7420			8080*	6060
-5' 0" lbs	37650*	37650*	49750*	46000	37750*	29300	29350*	20950	22850*	16100			19950*	14750
(1.5 m) kg	16880*	16880*	22910*	21280	17420*	13610	13580*	9720	10660*	7460			9060*	6670
-10' 0" lbs	53950*	53950*	44150*	44150*	34150*	29750	26250*	21350					19250*	17350
(3.0 m) kg	23910*	23910*	20360*	20360*	15810*	13820	12230*	9910					8720*	7820
-15' 0" lbs	43450*	43450*	34900*	34900*	26900*	26900*							17400*	17400*
(4.5 m) kg	20190*	20190*	16260*	16260*	12640*	12640*							7950*	7950*

Lifting Capacities - ISO Ratings

Radius of Load - 470 X3 with Expandable Sideframes																	
13' 2" (4.00 m) Arm with 22' 11" (6.98 m) Boom and 3,017 lb. (1 368 kg) Bucket with Power-Boost Applied																	
		5' 0" (1.5 m)		10' 0" (3.0 m)		15' 0" (4.5 m)		20' 0" (6.0 m)		25' 0" (7.5 m)		30' 0" (9.0 m)		35' 0" (10.5 m)		Cap at Max. Reach	
		End	Side	End	Side	End	Side	End	Side	End	Side	End	Side	End	Side	End	Side
+30' 0"	lbs											12400*	12400*			8200*	8200*
(9.0 m)	kg											5720*	5720*			3700*	3700*
+25' 0"	lbs											16150*	16150*	11100*	11100*	7850*	7850*
(7.5 m)	kg											7340*	7340*	5690*	5690*	3560*	3560*
+20' 0"	lbs											18550*	18500*	15000*	14250*	7800*	7800*
(6.0 m)	kg											8720*	8570*	7180*	6640*	3540*	3540*
+15' 0"	lbs							27650*	27650*	23150*	23150*	20250*	18200*	17850*	13850*	8000*	8000*
(4.5 m)	kg							12840*	12840*	10700*	10700*	9290*	8450*	8310*	6460*	3610*	3610*
+10' 0"	lbs			33300*	33300*	46050*	46050*	32950*	32600*	26150*	23350*	22050*	17450*	19150*	13400*	8300*	8300*
(3.0 m)	kg			13230*	13230*	21310*	21310*	15270*	15130*	12100*	10850*	10180*	8100*	8820*	6250*	3770*	3770*
+5' 0"	lbs			17900*	17900*	50550*	48450*	37000*	31200*	28650*	22200*	23500*	16700*	19950*	13000*	8900*	8900*
(1.5 m)	kg			7730*	7730*	23220*	22500*	17120*	14480*	13240*	10320*	10860*	7780*	9210*	6050*	4040*	4040*
Ground Line	lbs			24100*	24100*	53000*	46250*	38950*	29800*	30050*	21350*	24300*	16200*	19650*	12700*	9800*	9800*
	kg			10680*	10680*	24000*	21470*	18010*	13850*	13880*	9920*	11230*	7520*	9150*	5900*	4440*	4440*
-5' 0"	lbs	22900*	22900*	32050*	32050*	53350*	45850*	38900*	29200*	30100*	20900*	24150*	15900*	19550*	12550*	11150*	11150*
(1.5 m)	kg	10270*	10270*	14280*	14280*	24540*	21210*	17970*	13560*	13910*	9700*	11180*	7380*	9080*	5840*	5050*	5050*
-10' 0"	lbs	32500*	32500*	41850*	41850*	50600*	46200*	37600*	29250*	29150*	20900*	22950*	15950*			13350*	13200*
(3.0 m)	kg	14600*	14600*	18620*	18620*	23380*	21510*	17380*	13590*	13490*	9700*	10670*	7410*			6010*	5970*
-15' 0"	lbs	41850*	41850*	55900*	55900*	44900*	44900*	33900*	29750*	26000*	21350*	18800*	16450*			17350*	15950*
(4.5 m)	kg	18680*	18680*	25210*	25210*	20820*	20820*	15740*	13810*	12140*	9890*	9000*	7630*			7740*	7150*
-20' 0"	lbs			47250*	47250*	35100*	35100*	26400*	26400*	18050*	18050*					16350*	16350*
(6.0 m)	kg			22210*	22210*	16490*	16490*	12490*	12490*	8890*	8890*					7450*	7450*

Radius of Load - 470 X3 with Expandable Sideframes																			
15' 11" (4.85 m) Arm with 22' 11" (6.98 m) Boom and 2,776 lb. (1 259 kg) Bucket with Power-Boost Applied																			
		5' 0" (1.5 m)		10' 0" (3.0 m)		15' 0" (4.5 m)		20' 0" (6.0 m)		25' 0" (7.5 m)		30' 0" (9.0 m)		35' 0" (10.5 m)		40' 0" (12.0 m)		Cap at Max. Reach	
		End	Side	End	Side	End	Side	End	Side	End	Side	End	Side	End	Side	End	Side	End	Side
+35' 0"	lbs																	7400*	7400*
(10.5 m)	kg																	3330*	3330*
+30' 0"	lbs													9750*	9750*			6850*	6850*
(9.0 m)	kg													4880*	4880*			3090*	3090*
+25' 0"	lbs													12400*	12400*			6550*	6550*
(7.5 m)	kg													5820*	5820*			2970*	2970*
+20' 0"	lbs											16850*	16850*	14100*	14100*	9100*	9100*	6500*	6500*
(6.0 m)	kg											7750*	7750*	6540*	6540*	4730*	4730*	2940*	2940*
+15' 0"	lbs									18550*	18550*	18300*	18100*	16150*	14100*	11500*	10850*	6600*	6600*
(4.5 m)	kg									8590*	8590*	8410*	8380*	7490*	6570*	5680*	5080*	2990*	2990*
+10' 0"	lbs			24850*	24850*	39750*	39750*	29700*	29700*	24100*	23650*	20500*	17700*	17950*	13550*	13000*	10550*	6850*	6850*
(3.0 m)	kg			13350*	13350*	18260*	18260*	13770*	13770*	11130*	10960*	9480*	8230*	8270*	6310*	6390*	4930*	3110*	3110*
+5' 0"	lbs			25350*	25350*	48750*	48700*	34550*	31850*	27000*	22550*	22350*	16850*	19100*	13050*	13650*	10250*	7250*	7250*
(1.5 m)	kg			10890*	10890*	22510*	22510*	16000*	14790*	12480*	10470*	10310*	7840*	8810*	6070*	6800*	4790*	3300*	3300*
Ground Line	lbs	11350*	11350*	24000*	24000*	51250*	46750*	37650*	30050*	29050*	21450*	23600*	16150*	19600*	12600*	12550*	10050*	7950*	7950*
	kg	5100*	5100*	10620*	10620*	23540*	21740*	17400*	13960*	13410*	9960*	10900*	7520*	9110*	5860*	6540*	4680*	3600*	3600*
-5' 0"	lbs	19600*	19600*	29250*	29250*	52900*	45250*	38650*	28950*	29800*	20700*	23950*	15700*	19300*	12300*			8900*	8900*
(1.5 m)	kg	8790*	8790*	13010*	13010*	24320*	21060*	17840*	13450*	13780*	9620*	11080*	7300*	8980*	5730*			4040*	4040*
-10' 0"	lbs	27400*	27400*	36900*	36900*	52000*	45300*	38000*	28750*	29350*	20500*	23450*	15550*	18750*	12350*			10450*	10450*
(3.0 m)	kg	12310*	12310*	16390*	16390*	24030*	21090*	17570*	13350*	13590*	9520*	10870*	7230*	8760*	5730*			4710*	4710*
-15' 0"	lbs	36300*	36300*	48100*	48100*	48150*	45600*	35800*	29000*	27650*	20700*	21450*	15850*					12950*	12950*
(4.5 m)	kg	16140*	16140*	21220*	21220*	22300*	21210*	16590*	13470*	12840*	9610*	10050*	7350*					5810*	5810*
-20' 0"	lbs	45650*	45650*	57700*	57700*	40900*	40900*	30650*	29200*	23100*	21050*							15650*	15650*
(6.0 m)	kg	20280*	20280*	26830*	26830*	19090*	19090*	14360*	13570*	10910*	9800*							7130*	7130*
-25' 0"	lbs					28300*	28300*	20350*	20350*									13750*	13750*
(7.5 m)	kg					13600*	13600*	9970*	9970*									6340*	6340*

Lifting Capacities - 470 X3 Mass Excavator with Fixed Sideframes

Radius of Load													
8' 4" (2.53 m) Arm with 22' 11" (6.98 m) Boom and 5,291 lb. (2 400 kg) Bucket with Power-Boost Applied													
		10' 0" (3.0 m)		15' 0" (4.5 m)		20' 0" (6.0 m)		25' 0" (7.5 m)		30' 0" (9.0 m)		Cap at Max. Reach	
		End	Side	End	Side	End	Side	End	Side	End	Side	End	Side
+30' 0"	lbs							18950*	18950*			13450*	13450*
(9.0 m)	kg							7840*	7840*			6040*	6040*
+25' 0"	lbs							20700*	20700*	12850*	12850*	12650*	12650*
(7.5 m)	kg							9480*	9480*	7780*	7290*	5710*	5710*
+20' 0"	lbs					24500*	24500*	22750*	21800*	20000*	15400*	12300*	12300*
(6.0 m)	kg					11480*	11480*	10440*	10110*	9180*	7210*	5580*	5580*
+15' 0"	lbs			38250*	38250*	30650*	30000*	24850*	20900*	21200*	14950*	12400*	11550*
(4.5 m)	kg			17730*	17730*	14220*	13940*	11490*	9730*	9810*	6970*	5620*	5210*
+10' 0"	lbs			45850*	45400*	34950*	28700*	27100*	19800*	22350*	14350*	12850*	10900*
(3.0 m)	kg			21250*	21050*	16220*	13320*	12530*	9220*	10320*	6690*	5840*	4940*
+5' 0"	lbs			51350*	42050*	37450*	27000*	28550*	18850*	22850*	13800*	13750*	10850*
(1.5 m)	kg			23720*	19530*	17340*	12530*	13210*	8780*	10570*	6440*	6240*	4920*
Ground	lbs	29700*	29700*	52250*	40800*	37650*	25900*	28750*	18200*	22750*	13450*	15250*	11400*
Line	kg	13090*	13090*	24080*	18980*	17390*	12040*	13290*	8460*	10540*	6260*	6910*	5160*
-5' 0"	lbs	43100*	43100*	49650*	41350*	36600*	25750*	27900*	18000*	21000*	13500*	17750*	12700*
(1.5 m)	kg	19170*	19170*	22900*	19280*	16930*	11980*	12940*	8370*	9860*	6270*	8020*	5740*
-10' 0"	lbs	59400*	59400*	44050*	41450*	33100*	26200*	24600*	18500*			18000*	15250*
(3.0 m)	kg	27270*	27270*	20370*	19290*	15350*	12180*	11520*	8580*			8170*	6860*
-15' 0"	lbs	44550*	44550*	34250*	34250*	25300*	25300*					15850*	15850*
(4.5 m)	kg	20780*	20780*	16020*	16020*	11970*	11970*					7300*	7300*

Lifting Capacities - 470 X3 Mass Excavator with Expandable Sideframes

Radius of Load															
8' 4" (2.53 m) Arm with 22' 11" (6.98 m) Boom and 5,291 lb. (2 400 kg) Bucket with Power-Boost Applied															
		5' 0" (1.5 m)		10' 0" (3.0 m)		15' 0" (4.5 m)		20' 0" (6.0 m)		25' 0" (7.5 m)		30' 0" (9.0 m)		Cap at Max. Reach	
		End	Side	End	Side	End	Side	End	Side	End	Side	End	Side	End	Side
+30' 0"	lbs									20100*	20100*			13350*	13350*
(9.0 m)	kg									8140*	8140*			6000*	6000*
+25' 0"	lbs									20800*	20800*	14850*	14850*	12600*	12600*
(7.5 m)	kg									9540*	9540*	8360*	7850*	5700*	5700*
+20' 0"	lbs							26550*	26550*	22900*	22850*	20100*	16550*	12300*	12300*
(6.0 m)	kg							12300*	12300*	10550*	10540*	9240*	7740*	5580*	5580*
+15' 0"	lbs					39000*	39000*	31100*	31100*	25100*	22350*	21350*	16050*	12450*	12450*
(4.5 m)	kg					18070*	18070*	14440*	14440*	11600*	10400*	9870*	7490*	5650*	5620*
+10' 0"	lbs					46500*	46500*	35300*	30700*	27300*	21250*	22450*	15450*	12900*	11850*
(3.0 m)	kg					21580*	21580*	16370*	14250*	12630*	9880*	10360*	7210*	5870*	5360*
+5' 0"	lbs					51650*	45450*	37550*	29000*	28650*	20300*	22850*	14950*	13900*	11850*
(1.5 m)	kg					23820*	21120*	17380*	13470*	13250*	9450*	10580*	6960*	6300*	5380*
Ground	lbs			30750*	30750*	52100*	44350*	37600*	27950*	28700*	19650*	22700*	14600*	15450*	12500*
Line	kg			13850*	13850*	24030*	20610*	17380*	13010*	13280*	9140*	10520*	6790*	7010*	5670*
-5' 0"	lbs	32050*	32050*	44650*	44650*	49250*	44950*	36400*	27900*	27750*	19500*	20650*	14700*	18100*	14000*
(1.5 m)	kg	13600*	13600*	19880*	19880*	22700*	20920*	16830*	12980*	12860*	9080*	9720*	6840*	8170*	6330*
-10' 0"	lbs			58250*	58250*	43300*	43300*	32550*	28350*	24050*	20000*			17850*	16900*
(3.0 m)	kg			26850*	26850*	20020*	20020*	15110*	13180*	11280*	9290*			8150*	7610*
-15' 0"	lbs			42700*	42700*	32950*	32950*	24150*	24150*					15600*	15600*
(4.5 m)	kg			19930*	19930*	15440*	15440*	11460*	11460*					7150*	7150*

Standard and Optional Equipment

CAB	Sun Visor	• Auxiliary Tool Settings - Memory	✓ Fuel Tank Belly Pan
12V Power Outlet	✓ Travel Alarm with Cancel Switch	✓ Auxiliary Valve	✓ Hand Rail - RH Access
24V Lighter	✓ Trip Meter - Digital	✓ Boom Regeneration	✓ Lifting Eyes for Counterweight
AM/FM Sound System	✓ Wiper & Washer	✓ Boom Speed Assistance - 2 Pump Flow	✓ Lockable Fuel Cap and Service Doors
Anti-Theft Device	✓ Wiper Switch on RH Joystick	✓ Bucket Curl Assist	• Rubber Bumper Guards
Ashtray	ENGINE	✓ Control Levers Pre-Wired for Auxiliary	✓ Tool Box - Lockable
Auxiliary Switches on Control Lever	✓ Air Filter - Double Element	✓ Control Pattern Changer (2 way)	✓ Turntable Tub
Cab Exterior Light Harness	✓ Air Filter Restriction Indicator	✓ Fire Wall	✓ Work Lights - Boom and Tool Box
Cab Filter - External	✓ Air Pre-Cleaner	✓ Free Swing	ATTACHMENT
Cab Handrails	✓ Auto Warm-Up System	✓ Holding Valve - Arm	• 8' 4" (2.53 m) Short Arm
Cab Interior Light	✓ Auto-Idle	✓ Holding Valve - Boom	• 11' 1" (3.38 m) Arm
Cab Lights	✓ Auto-Idle Engine Shutdown	✓ Hose Burst Check Valve	• 13' 2" (4.00 m) Long Arm
Cab Iso-Mounts	✓ CEGR - Cooled Exhaust Gas Recirculation	✓ Hydraulic Filter Restriction Indicator	• 15' 11" (4.85 m) Long Arm
Clear Roof Window	✓ Cooling Fan (reversible)	✓ Long Life Hydraulic Oil - 5,000 Hour	• 22' 11" (6.98 m) Main Boom Section
Climate Control A/C and Heater	✓ Diesel Oxidation Catalyst (DOC)	✓ Neutral Pump De-stroke	• 21' 6" (6.55 m) Mass Excavator
Console Tilt	✓ Diesel Particulate Filter (DPF)	✓ Oil Cooler	• Boom Section
Cup Holder	✓ Drain for Fuel Tank	✓ Power Boost	• Attachment Reinforcement Plate
Defroster	✓ Dual Remote Fuel Filters & Water	✓ Pressure Reading on Monitor	• (boom+arm)
Digital Clock	• Separation	✓ Pump Stand-By Pressure	✓ Auxiliary Pipe Brackets
ECO Gauge	✓ EGR Coolers	✓ Single Pedal Travel	✓ Boom Work Light
Emergency Exit and Hammer	✓ Emergency Engine Stop	✓ Straight Travel Circuit	✓ Bucket Anti-Clatter Device
Face Vent	✓ Engine Idle System	AUXILIARY HYDRAULIC	✓ Chrome pins
Floor Mat	• Remote Engine Oil Drain	OPTIONS	✓ Easy Maintenance System
Front Guard (mesh)	• Engine Protection Feature	• Single-Acting Aux. w/ Switch Activation	✓ HD Bucket Link
Front Guard (OPG 1,2)	• External Fuel Gauge	• Single-Acting Aux. w/ Pedal Activation	• Quick Couplers
Front Window One-Touch Lock	✓ Fan Housing	• Thumb Auxiliary w/ Switch Activation	• Remote Lube Bank
Gate Lock Hydraulic Activation	✓ Fuel Filter Restriction Indicator	• Multi-Function Aux. w/ Switch Activation	✓ Teardrop pin retention keepers
Horn	✓ Fuel Management System	• Secondary Aux. w/ Switch Activation	• Thumbs
Hot & Cool Box	✓ Fuel Shut-Off Valve	• Combination Aux. w/ Switch Activation	PARTS KIT
Hour Meter - Digital	✓ Fuel Usage Monitor	UNDERCARRIAGE	• Bucket Anti-Clatter Device
KAB 815 Suspension Seat	• Glow Plug Pre-Heat	• 750 mm shoes (29.5 in) 3-Bar Steel	✓ Engine Manual
KAB 855 Air-Suspension	• Idle-Start	• 900 mm shoes (35.5 in) 3-Bar Steel	✓ Engine Oil Filter
LED Color Monitor	✓ Intercooler	• Steps	✓ Filter Wrench
Magazine Rack	✓ Neutral Start	• Carbody Belly Pan (swivel guard)	✓ Fuel Filters
Maintenance Interval Reminders	• One-Touch Idle	• Track Guide (double)	✓ Grease Gun
MP3 Auxiliary Input Jack	✓ Passive Emissions-Regeneration	• Track Guide (full length)	✓ Green Plug Drain Hose for Engine
On-Board Diagnostic System	✓ Radiator / Oil Cooler Protective Screen	• Long Undercarriage	• Oil Drain
One-Piece Right Window	✓ Regeneration Gauge on Monitor	• Sealed Link Chain	✓ Hydraulic Return Filter
Radio Mute Switch	✓ Remote Oil Filter	• Skatted Track Chain	✓ Ignition Keys
Rear View Camera	✓ VGT Turbocharger	UPPERSTRUCTURE	✓ Pilot Circuit Hydraulic Filter
Rear View Mirrors	HYDRAULICS	• Belly Pans	✓ Rearview Mirrors
Roof Sun Shade	• Arm Regeneration	✓ Catwalks	✓ Work Light for Boom
Safety Glass Windows	• Arm Speed Assistance - 2 Pump Flow	• Center Cover (Over Main CV)	
Seat Recline	• Attachment Cushion Valve	• Counterweight Removal System	
Selectable Monitor Languages	• Auto Swing Priority		
Side View Camera	• Auxiliary Flow Control		
Small Storage			

Equipment Key
 Standard ✓ Optional •

Bucket Sizes

470 X3 with Fixed Sideframe

Bucket Type	Heaped Capacity		Width Outside Lip		Bucket Weight		Number of Teeth	Arm 8' 4" 2.53 m	Arm 11' 1" 3.38 m	Arm 13' 2" 2.94 m	Arm 15' 11" 4.85 m
	(yd³)	(m³)	(in)	(mm)	(lbs)	(kg)					
STDP Standard duty plate	1.76	1.35	36	914	2,906	1,318	4	H	H	H	H
	2.14	1.64	42	1,067	3,206	1,454	5	H	H	H	H
	2.52	1.93	48	1,219	3,405	1,545	5	H	H	H	M
	2.91	2.22	54	1,372	3,705	1,681	6	H	H	M	L
	3.29	2.52	60	1,524	3,903	1,770	6	H	M	M	L
4.05	3.10	66	1,676	4,698	2,131	7	M	L	L	N/A	
HDP Heavy duty plate	1.73	1.32	36	914	3,507	1,591	4	H	H	H	H
	2.10	1.61	42	1,067	3,848	1,745	5	H	H	H	H
	2.48	1.90	48	1,219	4,108	1,863	5	H	H	H	M
	2.85	2.18	54	1,372	4,448	2,018	6	H	M	M	L
	3.24	2.48	60	1,524	4,707	2,135	6	H	M	L	L
XDP Extreme duty plate	1.37	1.05	30	762	3,469	1,574	3	H	H	H	H
	1.73	1.32	36	914	3,838	1,741	4	H	H	H	H
	2.1	1.61	42	1,067	4,144	1,880	4	H	H	H	H
	2.48	1.90	48	1,219	4,485	2,034	5	H	H	H	H
Power Buckets	1.64	1.25	36	914	5,460	2,477	4	H	H	H	H
	1.97	1.51	42	1,067	5,829	2,644	5	H	H	H	M
	2.31	1.77	48	1,219	6,120	2,776	5	H	H	M	L
	2.65	2.03	54	1,372	6,489	2,943	6	H	M	M	L
	2.99	2.29	60	1,524	6,780	3,075	6	M	L	L	N/A

470 X3 with Expandable Sideframe

Bucket Type	Heaped Capacity		Width Outside Lip		Bucket Weight		Number of Teeth	Arm 8' 4" 2.53 m	Arm 11' 1" 3.38 m	Arm 13' 2" 2.94 m	Arm 15' 11" 4.85 m
	(yd³)	(m³)	(in)	(mm)	(lbs)	(kg)					
STDP Standard duty plate	1.76	1.35	36	914	2,906	1,318	4	H	H	H	H
	2.14	1.64	42	1,067	3,206	1,454	5	H	H	H	H
	2.52	1.93	48	1,219	3,405	1,545	5	H	H	H	H
	2.91	2.22	54	1,372	3,705	1,681	6	H	H	H	M
	3.29	2.52	60	1,524	3,903	1,770	6	H	M	M	L
4.05	3.10	66	1,676	4,698	2,131	7	M	L	L	N/A	
HDP Heavy duty plate	1.73	1.32	36	914	3,507	1,591	4	H	H	H	H
	2.10	1.61	42	1,067	3,848	1,745	5	H	H	H	H
	2.48	1.90	48	1,219	4,108	1,863	5	H	H	H	M
	2.85	2.18	54	1,372	4,448	2,018	6	H	H	M	M
	3.24	2.48	60	1,524	4,707	2,135	6	H	M	M	L
XDP Extreme duty plate	1.37	1.05	30	762	3,469	1,574	3	H	H	H	H
	1.73	1.32	36	914	3,838	1,741	4	H	H	H	H
	2.1	1.61	42	1,067	4,144	1,880	4	H	H	H	H
	2.48	1.90	48	1,219	4,485	2,034	5	H	H	H	H
Power Buckets	1.64	1.25	36	914	5,460	2,477	4	H	H	H	H
	1.97	1.51	42	1,067	5,829	2,644	5	H	H	H	H
	2.31	1.77	48	1,219	6,120	2,776	5	H	H	H	M
	2.65	2.03	54	1,372	6,489	2,943	6	H	H	M	L
	2.99	2.29	60	1,524	6,780	3,075	6	H	M	L	L

Approval Code For Arm/Bucket Combinations
 H..... Heavy material (up to 3,370 lbs./yd³)
 M..... Medium material (up to 2,700 lbs./yd³)
 L..... Light material (up to 2,020 lbs./yd³)
 N/A..... Not applicable

STDP - Standard duty plate
 HDP - Heavy duty plate
 XDP - Extreme duty plate
 POWER - HDP for use with ESCO multi-pin grabber only

Litho in USA 4/13 #LBX2237

LBX® and Link-Belt® are registered trademarks. Copyright 2013. All rights reserved. We are constantly improving our products and therefore reserve the right to change designs and specifications.