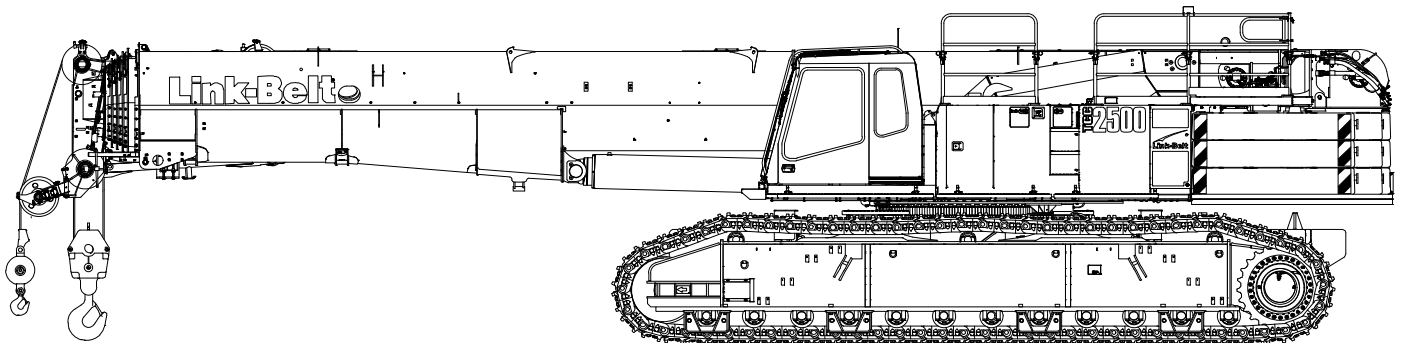


Technical Data

Specifications & Capacities

TCC-2500

Telescopic Crawler Crane
250 Ton (230 metric ton)



CAUTION: This material is supplied for reference use only. Operator must refer to in-cab Crane Rating Manual and Operator's Manual to determine allowable crane lifting capacities and assembly and operating procedures.

Table Of Contents

Upper Structure	1
Frame	1
Engine	1
Hydraulic System	1
Load Hoist Drums	1
Swing System	1
Counterweight	1
Operator's Cab	1
Rated Capacity Limiter System	2
Machinery House	2
Catwalks	2
Optional	2
Lower Structure	2
Carbody	2
Side Frames	2
Travel and Steering	2
Jack System	2
Tool Box	2
Boom	3
Design	3
Boom	3
Auxiliary Lifting Sheave	3
Boom Wear Pads	3
Boom Head	3
Boom Elevation	3
Optional Equipment	3
Hook Blocks And Balls	3
Fly & Attachments	3
Fly Extensions	3
Dimensions	4
Base Crane	4
Side Frames	6
Auxiliary Lifting Sheave	6
Fly	6
Fly Extension	7
Counterweights	7
Rear Winch	9
Hook Balls	9
Hook Blocks	9
Assembly Diagram	11
Working Weights	13
Transport Drawing	13
Load Hoist Performance	13
Working Areas	14
Boom Extend Modes	15

Working Range Diagrams – Imperial	16
Main Boom	16
223' Main Boom + 12' Fly	17
223' Main Boom + 40–67' Fly	18
223' Main Boom + 92–117' Fly	19
Boom Mode Performance – Imperial	20
Main Boom Load Charts – Imperial	21
Main Boom – EM1 Boom Mode	21
Main Boom – EM2 Boom Mode	22
Main Boom – EM3 Boom Mode	23
Main Boom – EM4 Boom Mode	24
Main Boom – EM5 Boom Mode	25
Main Boom – EM6 Boom Mode	26
Main Boom – EM7 Boom Mode	27
Main Boom – EM8 Boom Mode	28
Fly Attachment Load Charts	29
Working Range Diagrams – Metric	35
Main Boom	35
68m Main Boom + 3.7m Fly	36
68m Main Boom + 12.2–20.4m Fly	37
68m Main Boom + 28–35.7m Fly	38
Boom Mode Performance – Metric	39
Main Boom Load Charts – Metric	40
Main Boom – EM1 Boom Mode	40
Main Boom – EM2 Boom Mode	41
Main Boom – EM3 Boom Mode	42
Main Boom – EM4 Boom Mode	43
Main Boom – EM5 Boom Mode	44
Main Boom – EM6 Boom Mode	45
Main Boom – EM7 Boom Mode	46
Main Boom – EM8 Boom Mode	47
Fly Attachment Load Charts – Metric	48

Upper Structure

Frame

All welded steel frame with precision machined surfaces for mating parts.

Turntable Bearing

- Inner race is bolted to upper frame
- Outer race with external swing gear is bolted to lower frame

Engine

Engine

Full pressure lubrication, oil filter, air cleaner, hour meter, throttle, and electric control shutdown.

Specification	Cummins QSL	
	Tier 4f/ Stage IV ⁽¹⁾	Tier 3/ Stage IIIA ⁽²⁾
Emissions Compliance Level:		
Numbers of Cylinders	6	6
Cycle	4	4
Bore & Stroke: inch (mm)	4.49 x 5.69 (114 x 145)	4.49 x 5.69 (114 x 145)
Piston Displacement: in ³ (L)	543 (8.90)	543 (8.90)
Max. Brake Horsepower: hp (kW)	320 (239) @ 1,800 rpm	325 (242) @ 1,800 rpm
Peak Torque: ft lb (Nm)	1,050 (1 424) @ 1,500 rpm	1,050 (1 424) @ 1,500 rpm
Electric/starting systems: volts	12/12	12/12
Alternator: amps	190	190
Crankcase Capacity: qt (L)	24 (22.7)	24 (22.7)
<ul style="list-style-type: none"> • Water/fuel separator w/ heater and water in fuel (WIF) sensor • 120-volt block heater • Grid heater — 200 amp • ⁽¹⁾ Can only be sold and/or operated where Tier 4f and Stage IV off-high way emission standards are accepted. • ⁽²⁾ Can only be sold and/or operated where Tier 3 and Stage IIIA off-high way emission standards are accepted. 		

Fuel Tank

One 110 gal (416L) capacity fuel tank.

Hydraulic System

Hydraulic Pumps

The pump arrangement is designed to provide hydraulically powered functions allowing positive, precise control with independent or simultaneous operation of all crane functions.

- Two variable displacement pumps provide independent control for hoist drums, boom hoist, boom extend, and right & left travel.
- Closed loop piston pump controls the swing function. A pressure compensated piston pump controls counterweight removal, car body jacks, side frame pinning, and tilt cab function.

Hydraulic Reservoir

189 gal (715L) capacity equipped with sight level gauge. Diffusers built in for deaeration.

Filtration

One 5 micron, full flow return line filter. Accessible for easy filter replacement.

Counterbalance Valves

All hoist motors are equipped with counterbalance valves to provide positive load lowering and prevent accidental load drop if the hydraulic pressure is suddenly lost.

Load Hoist Drums

Main and Auxiliary Winches

- Axial piston, full and half displacement (2-speed) motor driven through planetary reduction unit for positive control under all load conditions.
- Grooved lagging
- Power up/down mode of operation
- Hoist drum cable follower — standard
- Drum rotation indicator
- Drum diameter: 15 in (38.1cm)
- Rope length:
 - Main: 950 ft (289.5m)
 - Auxiliary: 725 ft (220.9m)
- Maximum rope storage: 1,235 ft (376.4m)
- Terminator style socket and wedge

Third wrap indicator — Visually and audibly warns the operator when the wire rope is on the first/bottom layer and when the wire rope is down to the last three wraps

Swing System

Dual Swing Drives

Motor/Planetary — Bi-directional hydraulic swing motor mounted to a planetary reducer for 360° continuous smooth swing at 1.34 rpm

Swing Park Brake — 360°, electric over hydraulic, (spring applied/hydraulic released) multi-disc brake mounted on the planetary reducer. Operated by a switch in the operator's cab.

House Lock — Four-position house lock (boom over front, rear or sides) operated from the operator's cab

Counterweight

Consists of a nine piece modular design.

- Two lower counterweights, 22,000 lb (9 979kg)
- One upper counterweight tray, 21,779 lb (9 878kg)
- Three right hand upper counterweight slabs, 22,000 lb (9 979kg)
- Three left hand upper counterweight slabs, 22,000 lb (9 979kg)

Operator's Cab

Fully enclosed modular steel compartment is independently mounted and padded to protect against vibration and noise. Tilting cab 0–20°

- All tinted/tempered safety glass
- Sliding entry door and front and rear window
- Swing up roof window with windshield wiper
- Door and window locks
- Hot water heater
- Air conditioner
- Sun visor
- Cloth seat
- Circulating fan
- Front windshield and top hatch wipers and washers
- Dry chemical fire extinguisher
- Audible drum rotation indicators for main (front) and auxiliary (rear) hoist drums
- Six way adjustable seat
- Foot throttle
- Single axis controls
- Optional joystick controls

- Bubble type level
- Ergonomic gauge layout
- Controls shut off lever
- AM/FM Radio
- Travel levers & pedals
- Monitor for rear view, winch view, and right side cameras
- One amber rotating beacon on top of cab

Rated Capacity Limiter System

Link—Belt Pulse 2.0 — The Link—Belt in—house designed, total crane operating system that utilizes the 10" true color touch screen display as a readout and operator interface for the following systems:

- Engine instrumentation panel (tachometer, voltmeter, engine oil pressure, engine water temperature, fuel level, hydraulic oil temperature, hour meter, and service monitor system)
- Crane configuration
- Boom length
- Boom head height
- Allowed load and % of allowed load

- Data logging
- Boom angle
- Radius of load
- Actual load
- Operator settable alarms (include):
 - Maximum and minimum boom angles
 - Maximum tip height
 - Maximum boom length
 - Swing left/right positions
- Operator defined area (imaginary plane)
- Internal bar graph indicator

Telematics — Cellular—based data logging and monitoring system that provides:

- Location and operational settings
- Routine maintenance
- Crane and engine monitoring
- Diagnostic and fault codes

Machinery House

Hinged doors (four on right side, one on left side) for machinery access. Upper left side guard rails.

- Upper mounted remote control flood light

Catwalks

Standard on right and left sides. Catwalks fold up and pin for reduced travel width.

Optional

- One amber strobe beacon on top of cab
- Vandal guard for operators cab
- Optional external bar graph indicator

Lower Structure

Carbody

Lower Frame

All welded box construction frame with precision machined surfaces for turntable bearing and side frame pinning.

Side Frames

Side Frames

All welded, precision machined, steel frames with hook and pin design. Hydraulic pinning controlled via wireless remote control or wired remote controlled box.

- 20 ft 5 in (6.2m) track gauge
- 28 ft 9.6 in (8.77m) overall length
- 39 in (1 000mm) wide track shoes
- Sealed (oil filled) idler and drive planetaries
- 2 speed travel drives
- Hydraulic self adjusting tracks

Track Rollers

- Twelve sealed (oil filled) bottom track rollers per side frame
- Three sealed (oil filled) top track rollers per side frame
- Heat treated, mounted on anti—friction bearings

Tracks

Heat treated, self—cleaning grouser shoes and heat treated track pins. 70 track shoes per side.

Take Up Idlers

Cast steel, heat treated, self—cleaning, mounted on sealed tapered roller bearings

Travel and Steering

Each side frame contains a pilot controlled, bi—directional, axial piston motor and a planetary gear reduction unit to provide positive control under all load conditions.

- 2—speed travel
- Individual control provides smooth, precise maneuverability including full counter—rotation.

- Spring applied, hydraulically released multiple wet—disc type brake controlled automatically
- Maximum travel speed is 1.6 mph (2.6km/h)
- Designed to 40% gradeability

Jack System

System contains four hydraulic cylinders individually mounted on swing—out beams.

- Individual jack cylinders are operated by remote control, or can be operated by carbody—mounted controls.
- Minimum height of carbody when resting on pontoons is 16.1 in (409mm).
- Maximum height of carbody with jack fully extended is 44.1 in (112cm).

Tool Box

One heavy duty steel design tool box that bolts onto the lower front counterweight.

Boom

Design

Seven section, formed construction of extra high tensile steel consisting of one base section and six telescoping sections. The two plate design of each section has multiple longitudinal bends for superior strength. Each telescoping section extends independently by means of one double – action, single stage hydraulic cylinder with integral holding valves.

Boom

- 43.7 – 223 ft (13.3 – 68m) seven section boom
- Boom removal quick disconnects
- Three pinned positions of 0%, 50%, and 100% on each boom section
- Mechanical boom angle indicator
- Wind speed indicator
- Eight boom extend modes (EM1 – EM8), controlled from the operator's cab, provide superior capacities by varying the extension of the telescoping sections:
 - EM1 extends to 223 ft (68m)
 - EM2 extends to 209.3 ft (63.8m)
 - EM3 extends to 177.5 ft (54.1m)

- EM4 extends to 163.3 ft (49.8m)
- EM5 extends to 133.4 ft (40.6m)
- EM6 extends to 135.9 ft (41.4m)
- EM7 extends to 105.4 ft (32.1m)
- EM8 extends to 90.7 ft (27.6m)
- Maximum tip height for each extend mode is:
 - EM1 extends to 232.0 ft (70.7m)
 - EM2 extends to 218.4 ft (66.6m)
 - EM3 extends to 186.9 ft (57m)
 - EM4 extends to 172.1 ft (52.5m)
 - EM5 extends to 143.0 ft (43.6m)
 - EM6 extends to 145.1 ft (44.2m)
 - EM7 extends to 115.2 ft (35.1m)
 - EM8 extends to 100.6 ft (30.7m)

Auxiliary Lifting Sheave

- Single 16.53 in (41.99cm) root diameter nylon sheave
- Easily removable wire rope guards
- Does not affect erection of the fly or use of the main head sheaves
- Can be stored on right side of the boom without removal

Boom Wear Pads

- Wear pads with Teflon inserts that self – lubricate the boom sections, inserts are universal for the boom.
- Bottom rear wear pads are universal for all boom sections.
- Top front wear pads are universal for all boom sections
- Top rear wear pads are common for T3, T4, T5, and T6 boom sections
- Top rear wear pads are common for T1 and T2 boom sections

Boom Head

- Seven 16.53 in (41.99cm) root diameter nylon sheaves to handle up to 16 parts of line with auxiliary lifting sheave
- Easily removable wire rope guards
- Rope dead end lugs on either side of the boom head
- Boom head is designed for quick-reeve of the hook block

Boom Elevation

- One double acting hydraulic cylinder with integral holding valve
- Boom elevation: –1.5° to 83°

Optional Equipment

Hook Blocks And Balls

- 40 ton (36.3mt) 1 sheave quick-reeve hook block with safety latch
- 66 ton (60mt) 3 sheave quick-reeve hook block with safety latch
- 100 ton (91mt) 5 sheave quick-reeve hook block with safety latch
- 140 ton (127mt) 7 sheave quick-reeve hook block with safety latch
- 200 ton (181mt) 10 sheave quick-reeve hook block with safety latch
- 275 ton (250mt) base rating hook block – two 140 ton (127mt) 7 sheave quick-reeve hook blocks with safety latch and 275 ton (250mt) hook block equalizer
- 12 ton (10.9mt) swivel hook ball with safety latch

Fly & Attachments

- 12-40-67 ft (3.65-12.19-20.42m) three piece bi-fold lattice fly, offsettable to 2°, 15°, 30°, and 45°. Maximum tip height is 298 ft (90.8m).
- 12-40-67 ft (3.65-12.19-20.42m) three piece bi-fold lattice fly, hydraulically offsettable to 2° through 45°. Maximum tip height is 298 ft (90.8m).

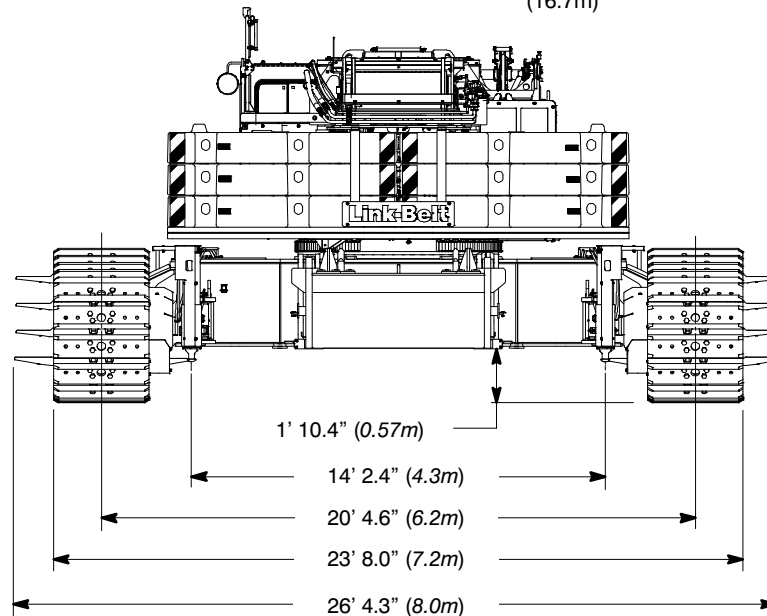
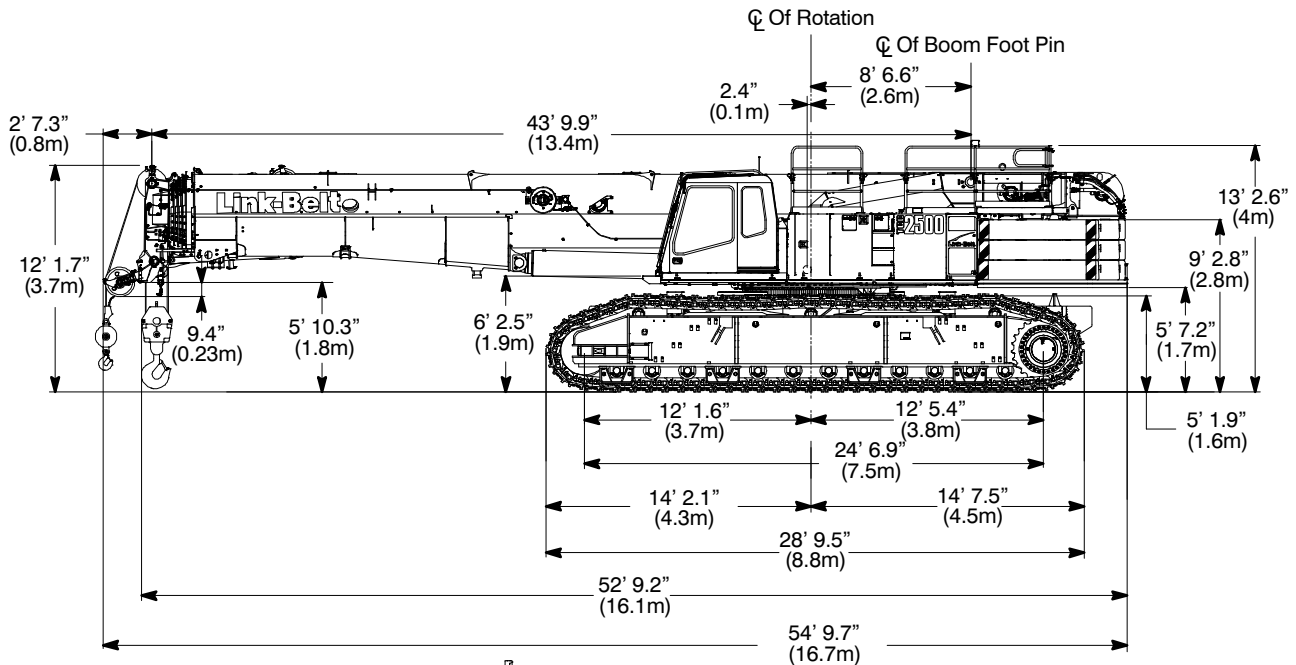
Fly Extensions

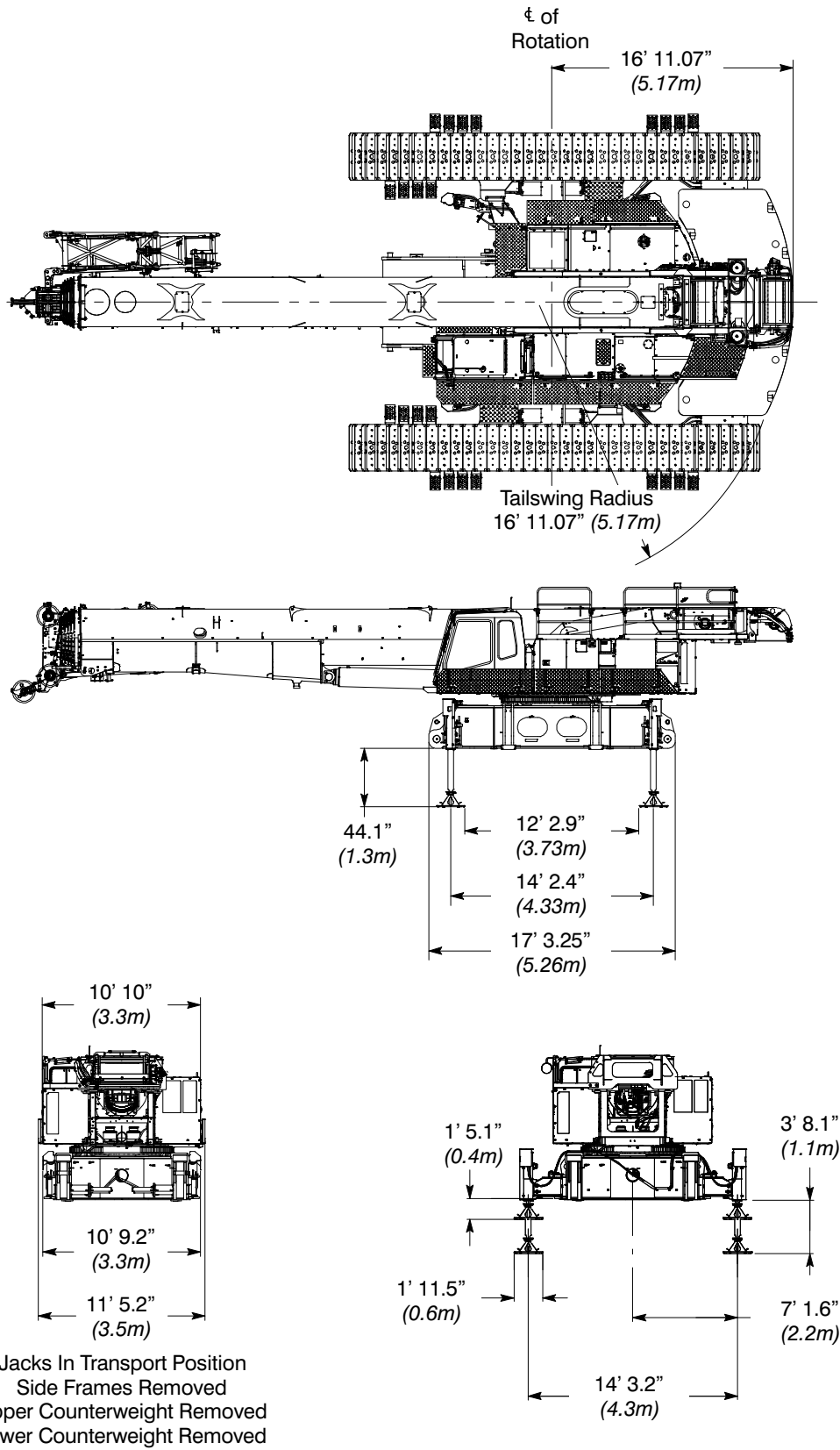
- One 25 ft (7.62m) lattice extension, equipped with one 16.38 in (41.6cm) root diameter nylon deflector sheave to be mounted between the boom head and fly options.
- Two 25 ft (7.62m) lattice extensions, equipped with one 16.38 in (41.6cm) root diameter nylon deflector sheave to be mounted between the boom head and fly options.

Dimensions

Base Crane

General Dimensions	English	Metric
Basic Boom	43.7–223 ft	13.3–68m
Minimum Load Radius	8 ft	2.43m
Maximum Boom Angle	83°	83°
Track Shoe Width	39 in	1 000mm

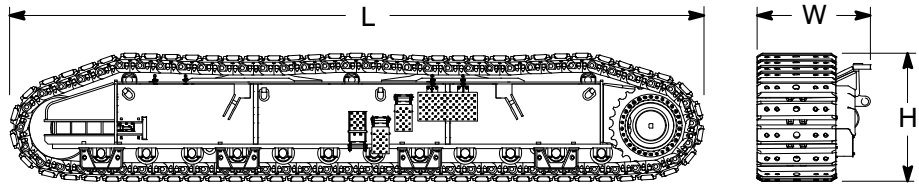




Side Frames

Side Frames 2

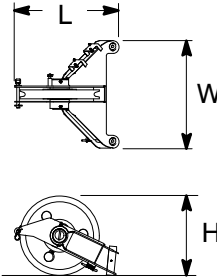
Length	345.53 in	(8.78m)
Width	56.61 in	(1.44m)
Height	63.16 in	(1.60m)
Weight		
w/ inserts	44,408 lb	(20 143kg)
w/o inserts	42,715 lb	(19 375kg)



Auxiliary Lifting Sheave

Auxiliary Lifting Sheave 1

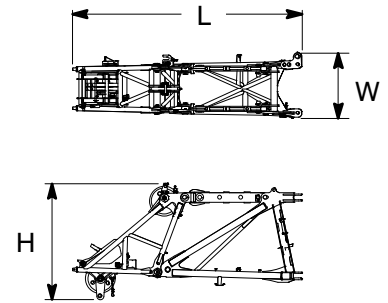
Length	24.82 in	(0.63m)
Width	25.62 in	(0.65m)
Height	19 in	(0.48m)
Weight	112 lb	(50.8kg)



Fly

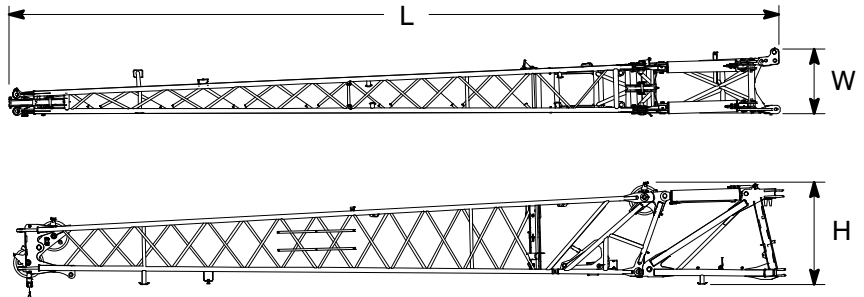
12 ft (3.7) One Piece Lattice Fly 1

Length	12.2 ft	(3.72m)
Width	42.2 in	(1.07m)
Height	74.35 in	(1.89m)
Weight		
Manual Offset	2,316 lb	(1 051kg)
Hydraulic Offset	2,256 lb	(1 023kg)



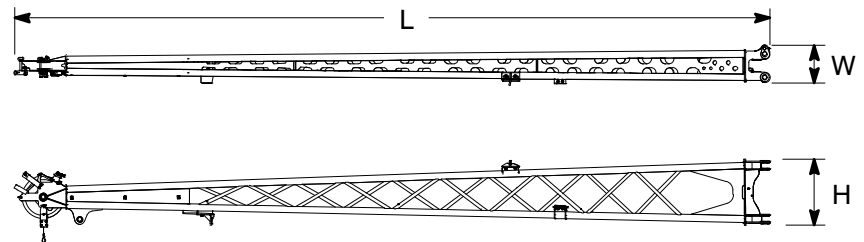
12–40 ft (3.7–12.2m) two Piece Lattice Fly* 1

Length	40.6 ft	(12.38m)
Width	42.2 in	(1.07m)
Height	65.45 in	(1.66m)
Weight	3,701 lb	(1 679kg)



27 ft (8.2m) Lattice Fly Tip (Addition To Base Fly For 12–40–67 ft (3.7–12.2–20.4m) Bi-fold Fly)* 1

Length	28.3 ft	(8.62m)
Width	16.77 in	(0.43m)
Height	29.63 in	(0.75m)
Weight	1,183 lb	(537kg)



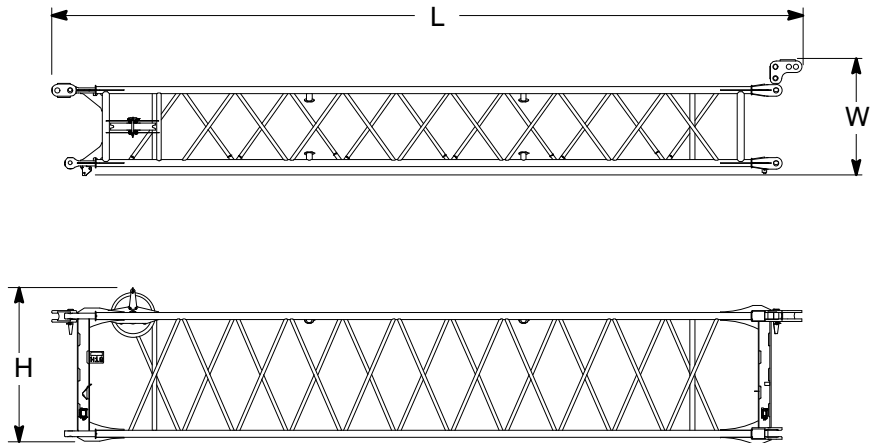
Number inside black circle “1” = # of components

* – Optional equipment

Fly Extension

25 ft (7.6m) Lattice Fly Extension* ❶

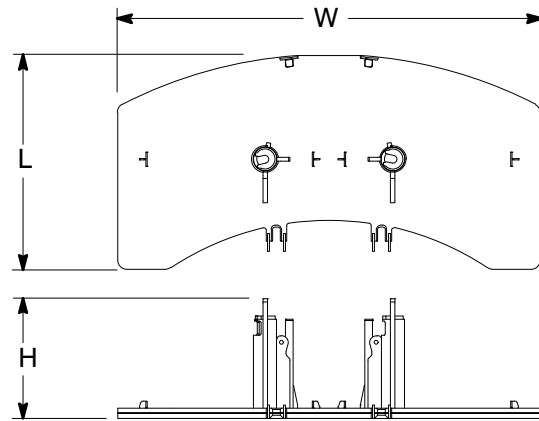
Length	26.6 ft	(8.10m)
Width	49.03 in	(1.25m)
Height	65.92 in	(1.67m)
Weight	1,612 lb	(731kg)



Counterweights

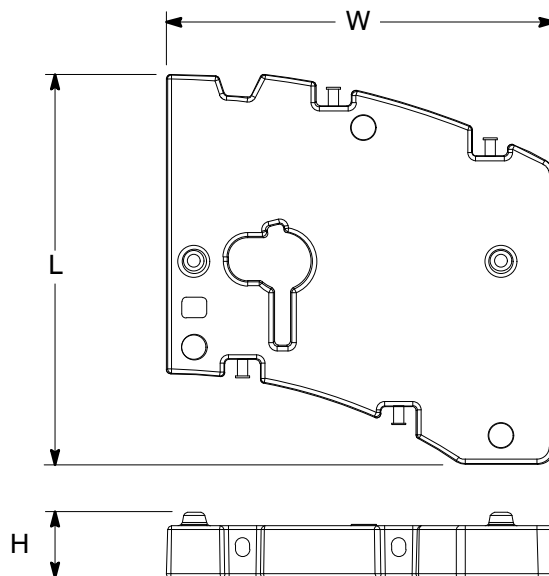
Upper Counterweight Tray ❶

Length	96.0 in	(2438mm)
Width	190.0 in	(4826mm)
Height	54.0 in	(1372mm)
Weight	21,779 lb	(9.7t)



Left Hand Upper Counterweight Slab ❸

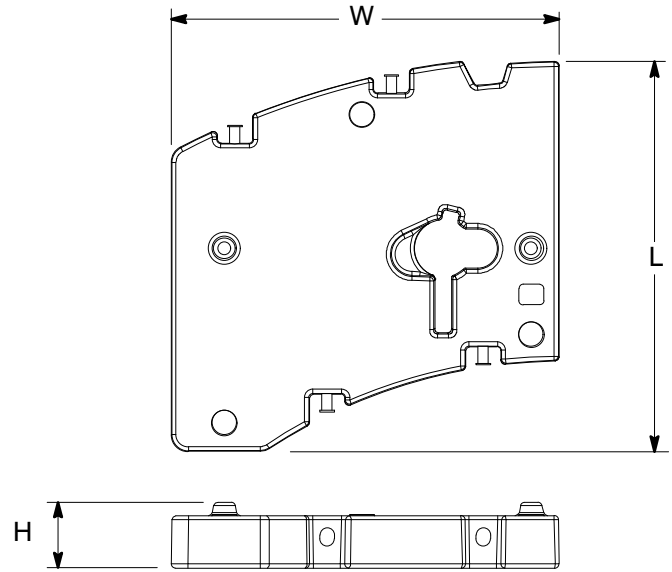
Length	95.0 in	(2412mm)
Width	94.5 in	(2399mm)
Height	13.0 in	(331mm)
Weight	22,000 lb	(9.9t)



Number inside black circle “❶” = # of components
 * – Optional equipment

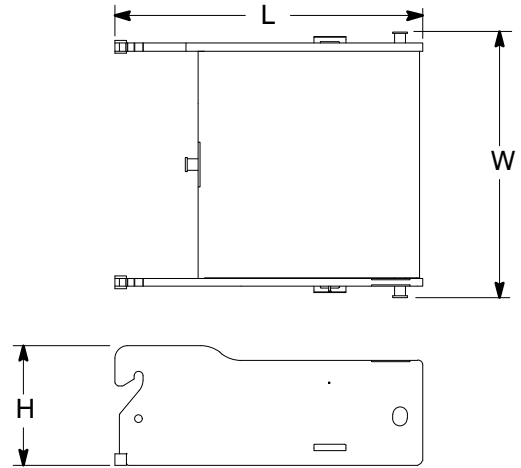
Right Hand Upper Counterweight Slab ③

Length	95.0 in	(2412mm)
Width	94.5 in	(2399mm)
Height	13.0 in	(331mm)
Weight	22,000 lb	(9.9t)



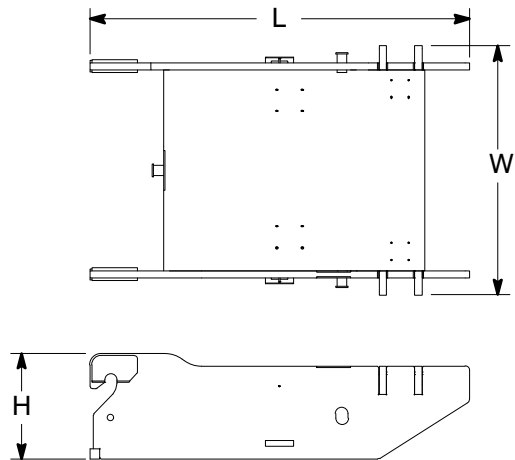
Lower Front Counterweights ①

Length	96.0 in	(2438mm)
Width	83.0 in	(2108mm)
Height	37.25 in	(946mm)
Weight	22,126 lb	(10.0t)



Lower Rear Counterweights ①

Length	134.0 in	(3404mm)
Width	88.0 in	(2235mm)
Height	37.25 in	(946mm)
Weight	22,034 lb	(10.0t)

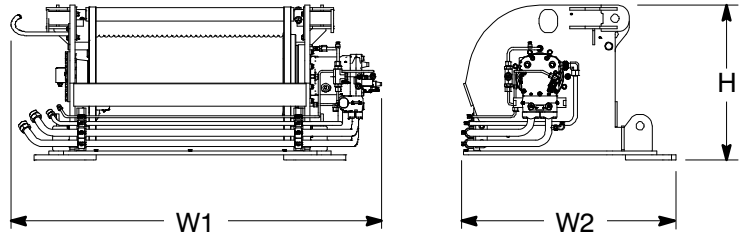


Number inside black circle “①” = # of components
 * – Optional equipment

Rear Winch

Rear Winch ①

Width1	70.13 in	(1.78m)
Width2	40.57 in	(1.03m)
Height	29.38 in	(0.75m)
Weight	2,274 lb	(1 032kg)

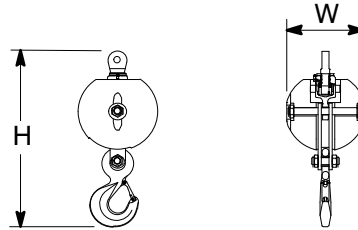


Hook Balls

12 Ton (10.9mt) Swivel

Hook Ball* ①

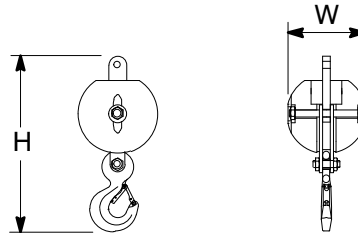
Width	17.93 in	(0.46m)
Height	36.26 in	(0.92m)
Weight	722 lb	(327kg)



12 Ton (10.9mt) Non-Swivel

Hook Ball* ①

Width	17.93 in	(0.46m)
Height	36.26 in	(0.92m)
Weight	722 lb	(327kg)

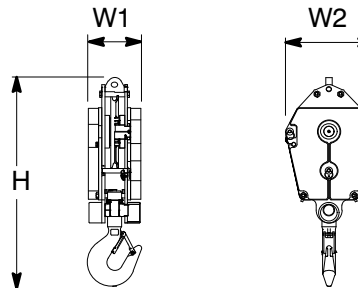


Hook Blocks

40 Ton (36.3mt)

1-Sheave Hook Block* ①

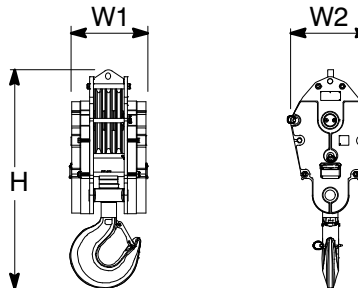
Width1	14.44 in	(0.37m)
Width2	23.88 in	(0.61m)
Height	57.31 in	(1.46m)
Weight	1,454 lb	(660kg)



66 Ton (60mt)

3-Sheave Hook Block* ①

Width1	20.4 in	(0.52m)
Width2	22 in	(0.56m)
Height	60.01 in	(1.52m)
Weight	1,916 lb	(869kg)

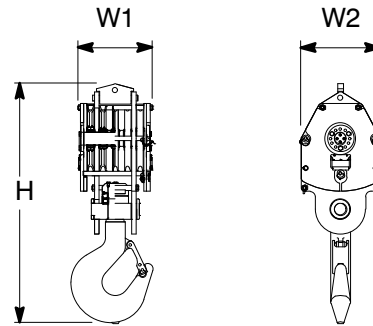


Number inside black circle “①” = # of components
 * – Optional equipment

100 Ton (90.7mt)

5–Sheave Hook Block* ①

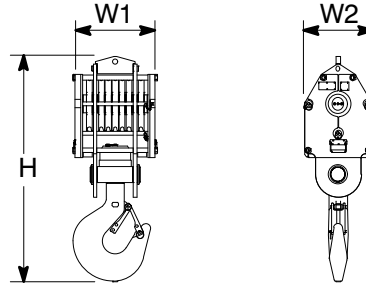
Width1	21 in	(0.53m)
Width2	22 in	(0.56m)
Height	66.8 in	(1.7m)
Weight	2,250 lb	(1 021kg)



140 Ton (127.0mt)

7–Sheave Hook Block* ①

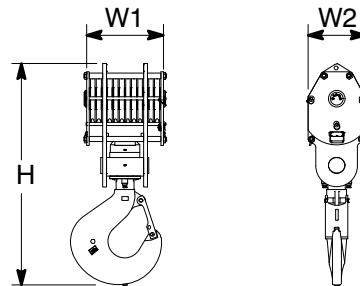
Width1	26.6 in	(0.68m)
Width2	22.25 in	(0.57m)
Height	74.78 in	(1.9m)
Weight	2,850 lb	(1 293kg)



200 Ton (181.4mt)

10–Sheave Hook Block* ①

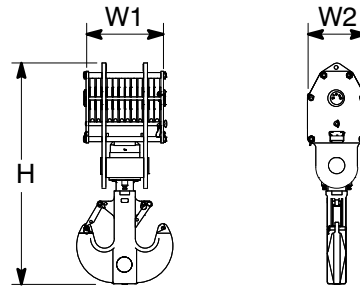
Width1	29.44 in	(0.75m)
Width2	22.26 in	(0.57m)
Height	85.03 in	(2.16m)
Weight	3,446 lb	(1 563kg)



210 Ton (190.5mt)

10–Sheave Hook Block* ①

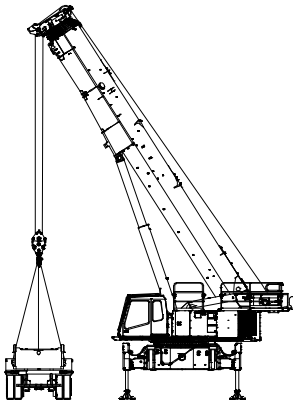
Width1	29.44 in	(0.75m)
Width2	22.26 in	(0.57m)
Height	84.29 in	(2.14m)
Weight	3,745 lb	(1 699kg)



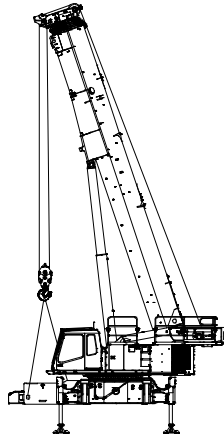
Number inside black circle “①” = # of components

* – Optional equipment

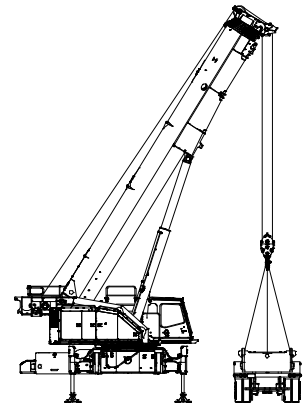
Assembly Diagram



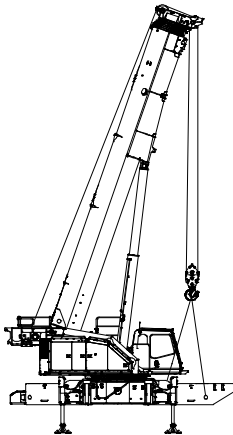
1



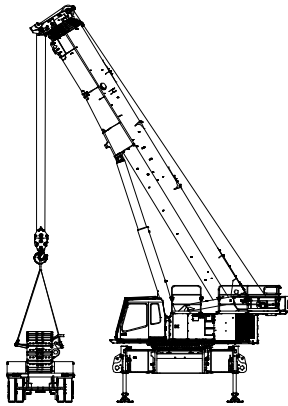
2



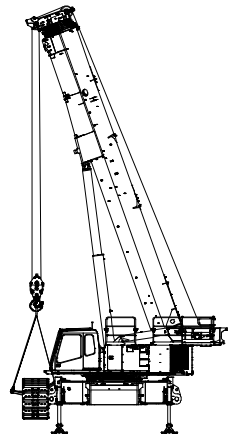
3



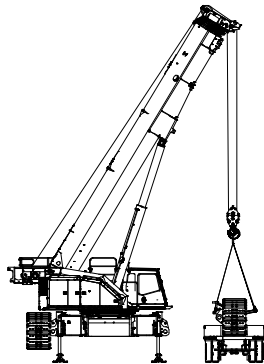
4



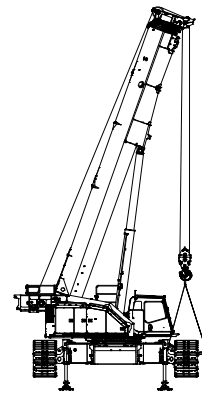
5



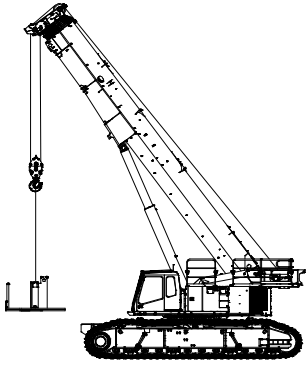
6



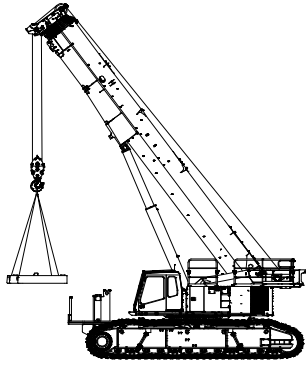
7



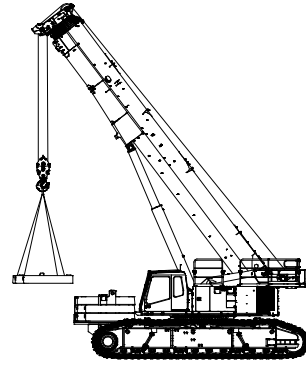
8



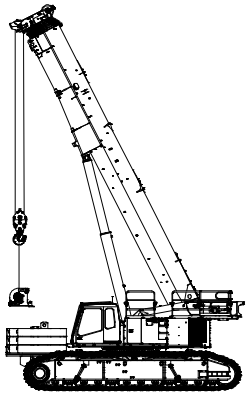
9



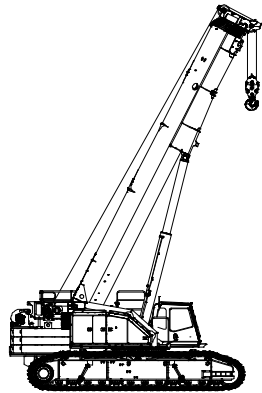
10



11



12

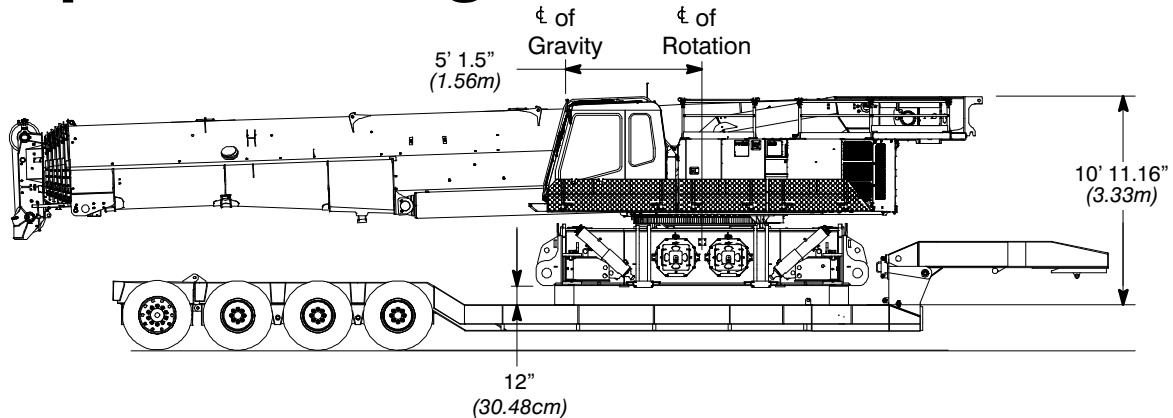


13

Working Weights

Option	Description	Gross Weight lb (kg)	Ground Bearing Pressure (on soft ground) psi (kg/cm ²)
1	Base crane, "ABCD" upper counterweight, 2 piece lower counterweight, 950 ft (289.5m) type "ZB" main wire rope, 725 ft (220m) type "ZB" auxiliary wire rope, 3–piece fly, 100 ton (90mt) 5 sheave hook block, and 40 ton (36.29mt) 1 sheave hook block. and a 250 lb (113.4kg) operator.	401,985 (182 337kg)	
Notes: Ground bearing pressure is based on the total weight distributed evenly over the track contact area.			

Transport Drawing



Transport Weight – 107,156 lb (48 605kg)

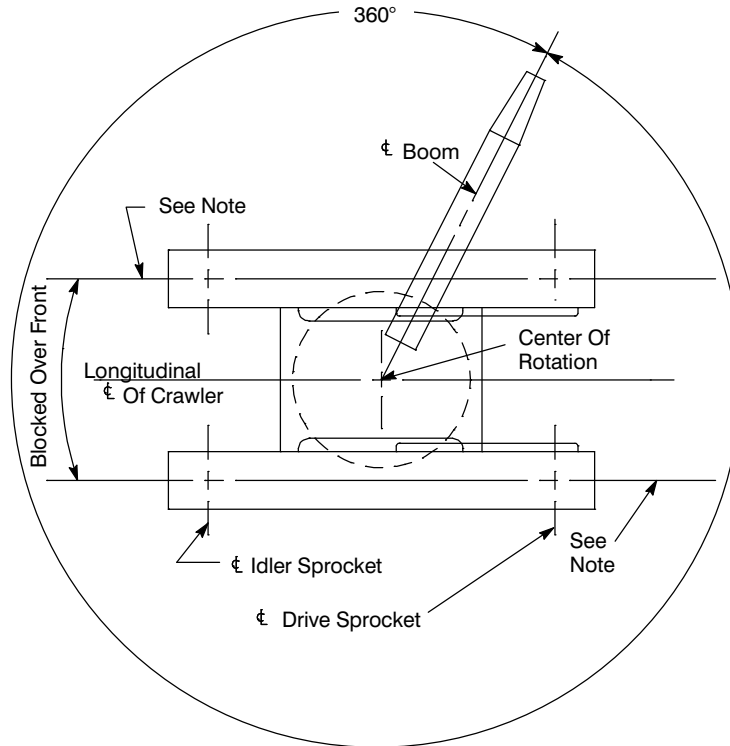
Base crane, 950 ft (289.56m) type "ZB" main wire rope, 12 ft (3.66m) 1–piece fly

Load Hoist Performance

Main (Front) and Auxiliary (Rear) Winches – 7/8 in Rope										
Layer	Maximum Line Pull		Normal Line Speed		High Line Speed		Layer		Total	
	lb	kg	ft/min	m/min	ft/min	m/min	ft	m	ft	m
1	28,582	12,965	132	40.2	262	79.9	162	49.4	162	49.4
2	25,801	11,703	146	44.5	290	88.4	179	54.5	341	103.9
3	23,514	10,666	160	48.8	318	96.9	197	60.0	538	164
4	21,599	9,797	175	53.3	347	105.8	214	65.2	753	229.5
5	19,933	9,041	189	57.6	376	114.6	232	70.7	985	300.2
6	18,540	8,410	204	62.2	404	123.1	250	76.2	1,235	376.4

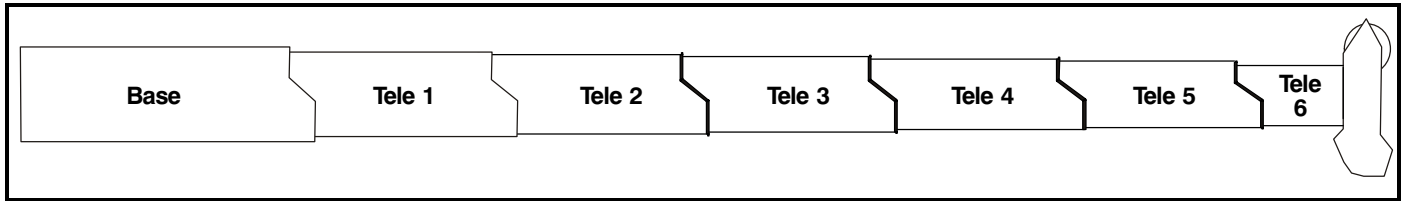
Wire Rope Application		Diameter in	Type	Maximum Permissible Load	
				lb	kg
Main (Front) Winch	Standard	7/8	34x7 non–rotating – right regular lay or right lang lay (Type ZB)	20,943	9 499.6
	Optional	7/8	34x7 rotation resistant – right regular lay or right lang lay (Type YB)	21,680	9 833.9
	Optional	7/8	37x7 non–rotating – right regular lay (Type KC)	21,348	9 683.2
Auxiliary (Rear) Winch	Standard	7/8	34x7 non–rotating – right regular lay or right lang lay (Type ZB)	20,943	9 499.6
	Optional	7/8	34x7 rotation resistant – right regular lay or right lang lay (Type YB)	21,680	9 833.9
	Optional	7/8	37x7 non–rotating – right regular lay (Type KC)	21,348	9 683.2

Working Areas



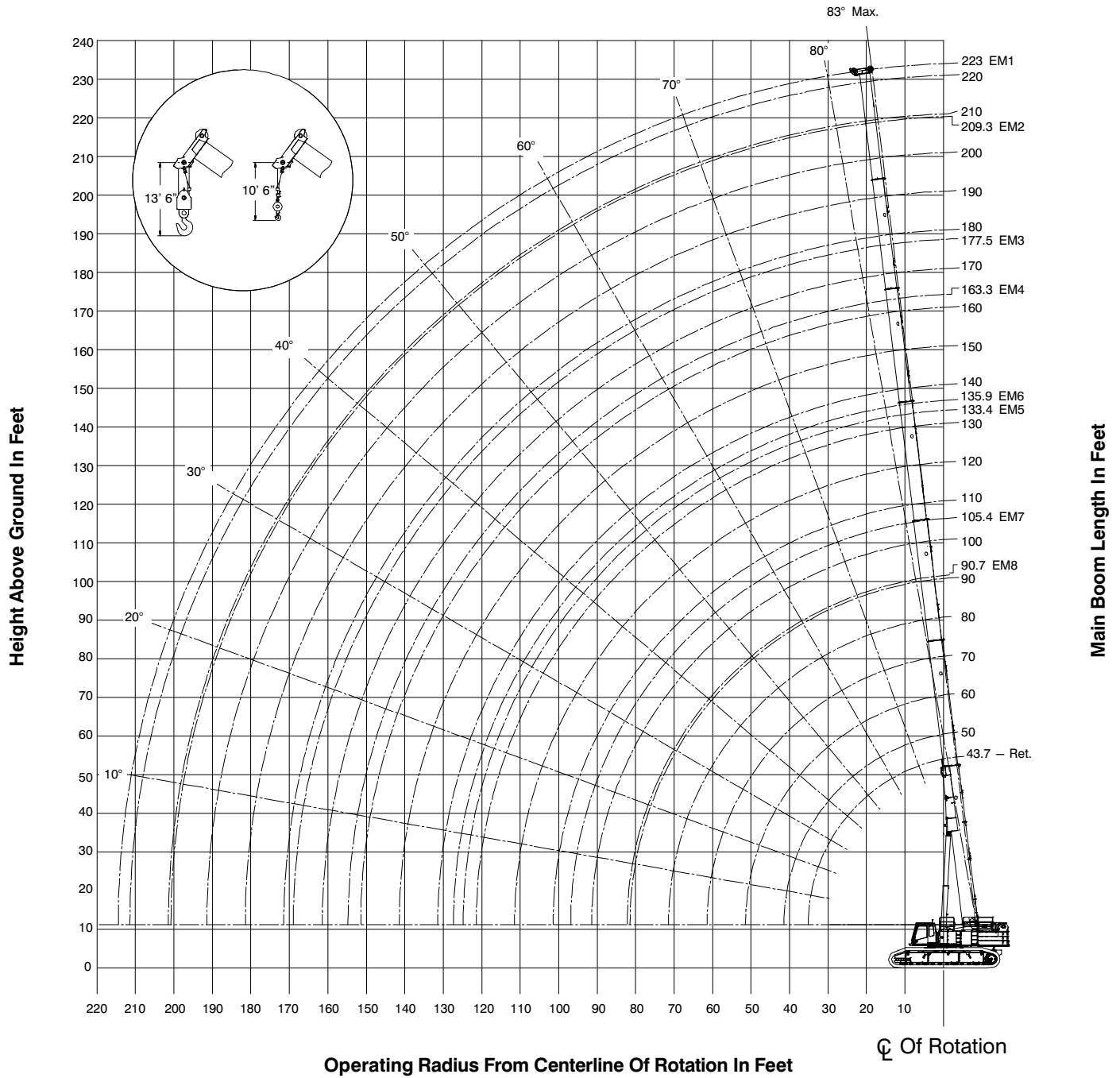
Note: These Lines Determine The Limiting Position Of Any Load For Operation Within Working Areas Indicated.

Boom Extend Modes

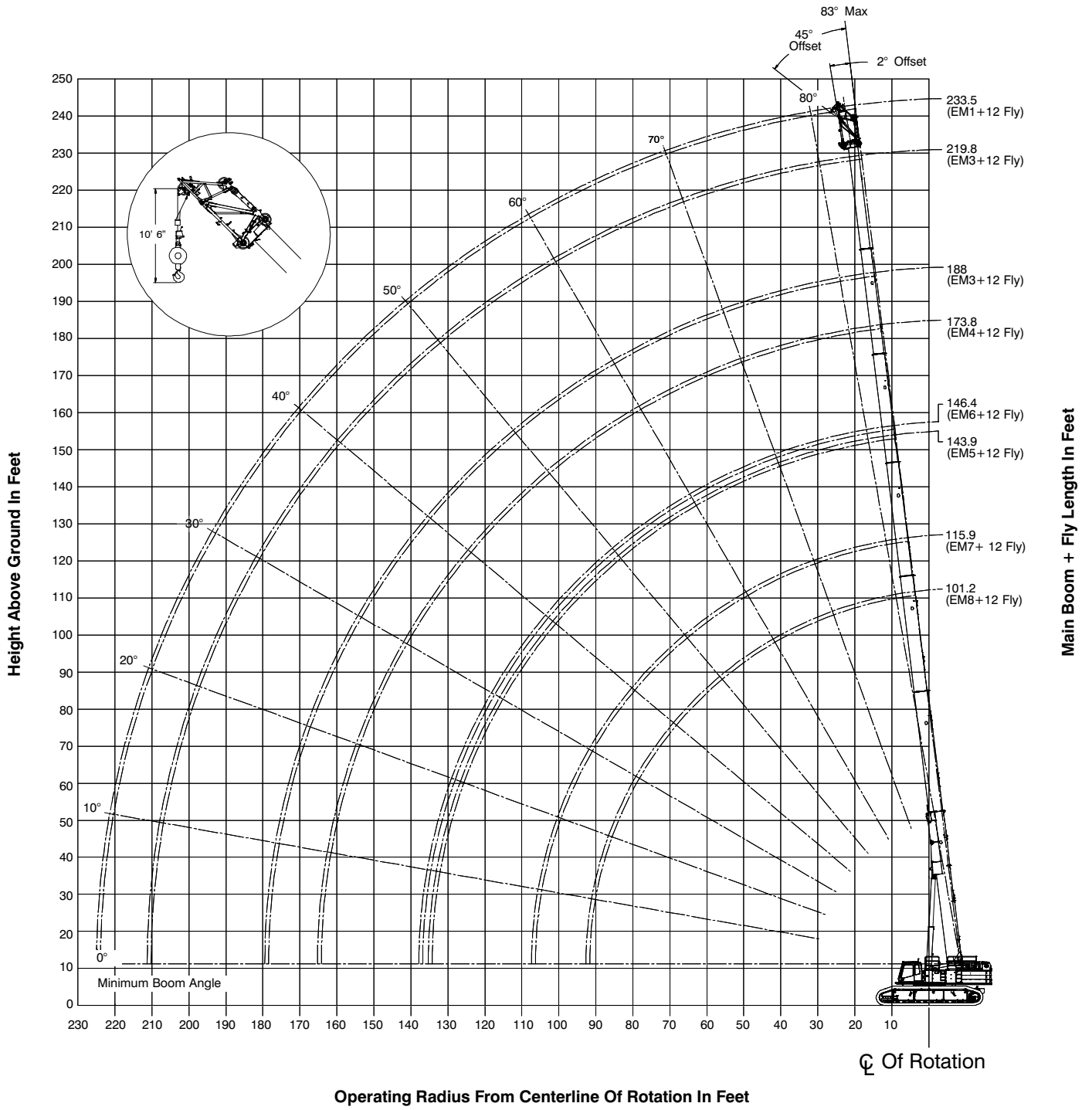


EM	Boom Length (ft)	Boom Length (m)						
			T6	T5	T4	T3	T2	T1
EM 1	43.7	13.3						
	71.1	21.7	100%					
	99.6	30.3	100%	100%				
	128.9	39.3	100%	100%	100%			
	159.3	48.5	100%	100%	100%	100%		
	190.5	58.1	100%	100%	100%	100%	100%	
	206.8	63.0	100%	100%	100%	100%	100%	50%
	223.0	68.0	100%	100%	100%	100%	100%	100%
EM 2	43.7	13.3						
	57.4	17.5	50%					
	85.8	26.2	50%	100%				
	115.2	35.1	50%	100%	100%			
	145.5	44.4	50%	100%	100%	100%		
	176.8	53.9	50%	100%	100%	100%	100%	
	193.1	58.8	50%	100%	100%	100%	100%	50%
	209.3	63.8	50%	100%	100%	100%	100%	100%
EM 3	43.7	13.3						
	71.1	21.7	100%					
	99.6	30.3	100%	100%				
	114.2	34.8	100%	100%	50%			
	129.4	39.4	100%	100%	50%	50%		
	145.0	44.2	100%	100%	50%	50%	50%	
	161.3	49.2	100%	100%	50%	50%	50%	50%
	177.5	54.1	100%	100%	50%	50%	50%	100%
EM 4	43.7	13.3						
	71.1	21.7	100%					
	85.3	26.0	100%	50%				
	100.0	30.5	100%	50%	50%			
	115.2	35.1	100%	50%	50%	50%		
	130.8	39.9	100%	50%	50%	50%	50%	
	147.1	44.8	100%	50%	50%	50%	50%	50%
	163.3	49.8	100%	50%	50%	50%	50%	100%
EM 5	43.7	13.3						
	57.4	17.5	50%					
	71.6	21.8	50%	50%				
	86.3	26.3	50%	50%	50%			
	101.5	30.9	50%	50%	50%	50%		
	117.1	35.7	50%	50%	50%	50%	50%	
	133.4	40.6	50%	50%	50%	50%	50%	50%
	EM 6	43.7	13.3					
57.9		17.7		50%				
72.6		22.1		50%	50%			
87.8		26.7		50%	50%	50%		
103.4		31.5		50%	50%	50%	50%	
119.7		36.5		50%	50%	50%	50%	50%
135.9		41.4		50%	50%	50%	50%	100%
EM 7		43.7	13.3					
	58.4	17.8			50%			
	73.5	22.4			50%	50%		
	89.2	27.2			50%	50%	50%	
	105.4	32.1			50%	50%	50%	50%
EM 8	43.7	13.3						
	58.9	17.9				50%		
	74.5	22.7				50%	50%	
	90.7	27.7				50%	50%	50%

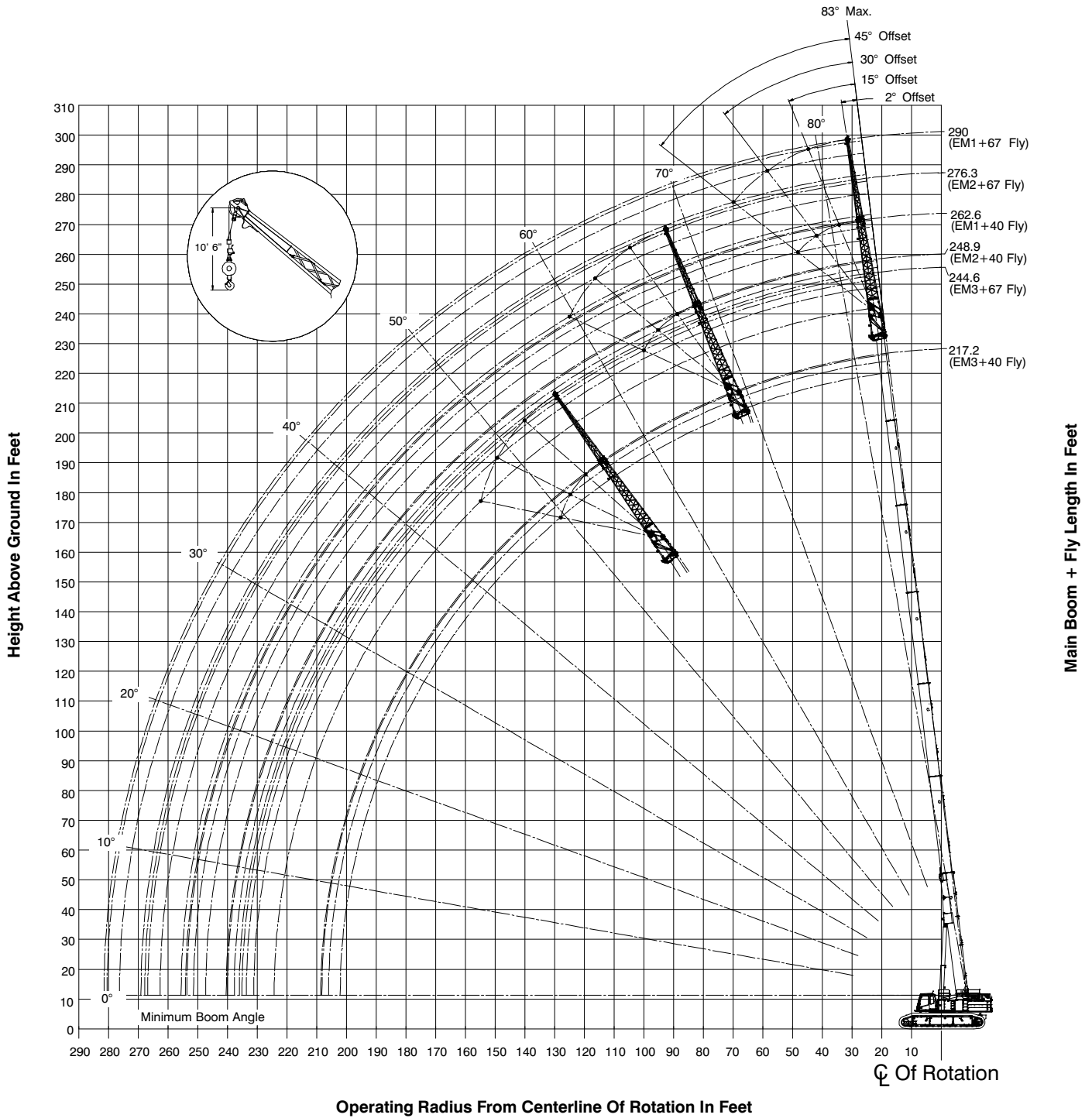
Working Range Diagrams – Imperial Main Boom



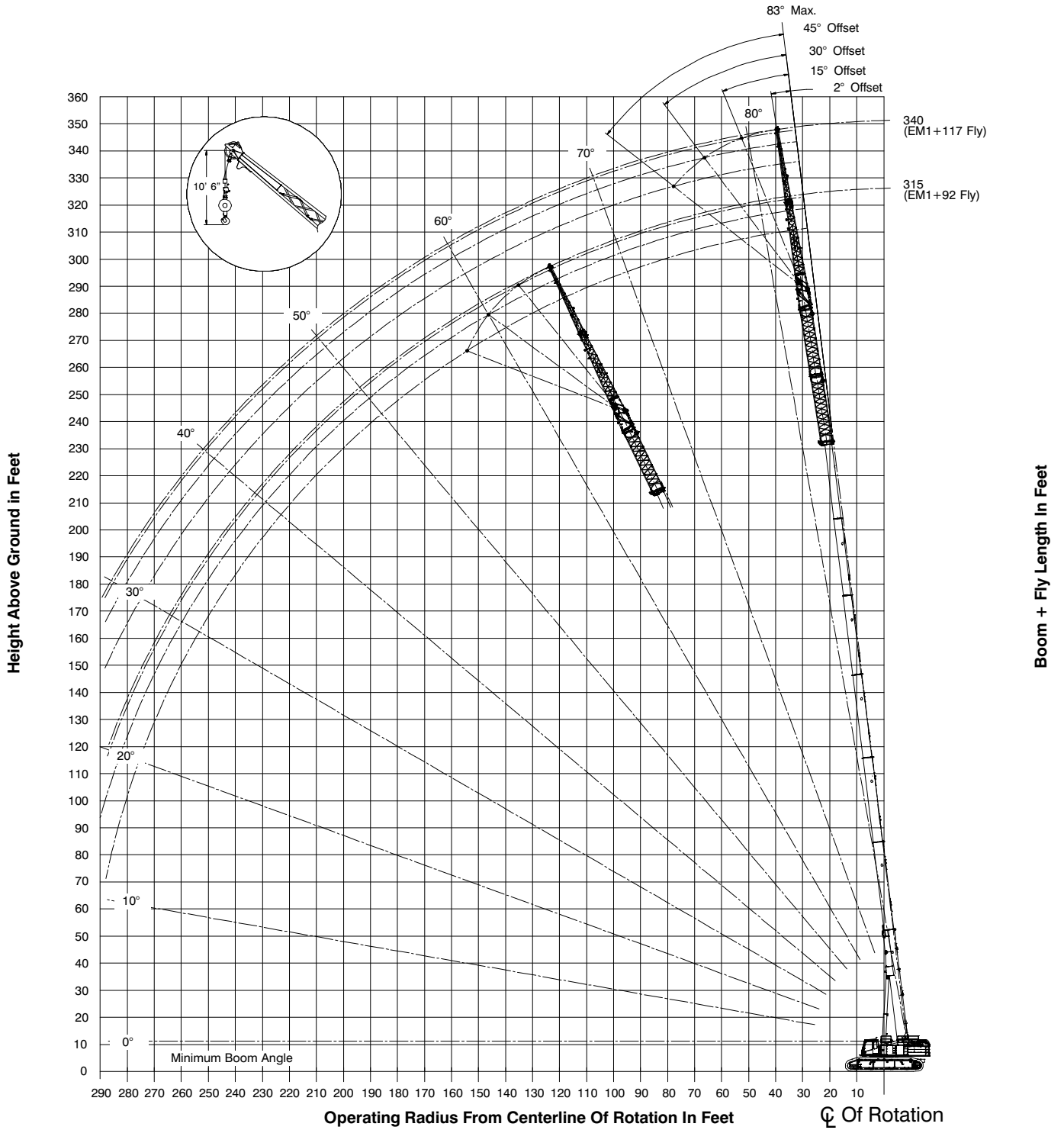
223' Main Boom + 12' Fly



223' Main Boom + 40-67' Fly



223' Main Boom + 92-117' Fly



Boom Mode Performance – Imperial

ABCD+A Counterweight																	
Rad (ft)	EM1	EM2	EM3	EM4	EM5	EM6	EM7	EM8	Rad (ft)	EM1	EM2	EM3	EM4	EM5	EM6	EM7	EM8
	Boom Length (ft)									Boom Length (ft)							
	57.4	57.4	57.4	57.4	57.4	57.4	57.4	57.4		128.9		129.4	130.8	133.4	135.9		
10									20								
25									75								
40									80								
50									85								
	71.1	71.1	71.1	71.1	71.6	72.6	73.5	74.5	115								
10									120								
20									125								
30											145.5	145	147.1				
40									25								
50									30								
60									115								
		85.8	85.8	85.3	86.31	87.76	89.18	90.74	120								
10									125								
15									130								
25									135								
30									140								
45											159.3		161.3	163.3			
50									25								
65									100								
70									105								
75									145								
80									150								
	99.6		99.6	100	101.5	103.4	105.4				176.8	177.5					
15									30								
20									150								
35									160								
40									165								
65											190.5	193.1					
70									30								
90									35								
95									80								
			115.2	114.2	115.2	117.1	119.7		165								
15									170								
20									175								
40									180								
45											206.8	209.3					
50									35								
90									40								
95									90								
100									95								
105									195								
110																	

Main Boom Load Charts – Imperial

Main Boom Lift Capacity Chart – 360° Rotation 154,000lb Upper Counterweight; 44,000lb Lower Counterweight [All capacities are listed in Pounds]									
Load Radius ft	Main Boom – EM1 Boom Mode								Load Radius ft
	Boom Length – ft								
	43.7	71.1	99.6	128.9	159.3	190.5	206.8	223.0	
9	500,000*								9
10	422,100*	139,600							10
12	400,900*	130,000							12
15	323,700	117,700	91,800						15
20	242,400	101,700	79,600	76,200					20
25	191,600	89,100	70,100	67,600	55,200				25
30	156,700	77,300	62,500	60,700	55,200	39,900			30
35	131,400	68,100	56,300	54,800	55,000	39,900	35,900		35
40		61,000	51,100	49,900	50,200	39,900	35,900	31,000	40
45		54,900	46,700	45,700	46,000	39,900	35,900	31,000	45
50		50,000	43,100	42,200	42,400	39,900	35,900	31,000	50
55		45,800	39,900	39,000	39,200	39,900	35,900	31,000	55
60		42,400	37,100	36,200	36,400	39,900	35,900	31,000	60
65			34,600	33,800	33,900	38,500	35,900	31,000	65
70			32,400	31,600	31,700	26,200	35,900	31,000	70
75			30,500	29,700	29,700	34,100	35,900	31,000	75
80			28,800	27,900	27,800	32,200	34,100	31,000	80
85			27,000	26,300	26,200	30,500	32,400	31,000	85
90			25,500	24,800	24,600	28,900	30,800	31,000	90
95				23,500	23,300	27,500	29,300	29,300	95
100				22,300	22,000	26,100	27,900	27,600	100
105				21,200	20,800	24,900	26,700	26,100	105
110				20,200	19,700	23,700	25,500	24,700	110
115				19,200	18,700	22,600	24,400	23,400	115
120				18,400	17,800	21,600	23,300	22,200	120
125					16,900	20,500	22,300	21,000	125
130					16,100	19,700	21,300	20,000	130
135					15,300	18,800	20,400	19,000	135
140					14,600	18,100	19,600	18,100	140
145					14,000	17,300	18,900	17,200	145
150					13,400	16,500	18,200	16,300	150
155						15,800	17,400	15,500	155
160						15,100	16,400	14,800	160
165						14,500	15,400	14,100	165
170						13,800	14,500	13,400	170
175						13,300	13,700	12,700	175
180						12,700	12,900	12,000	180
185							12,100	11,300	185
190							11,400	10,500	190
195							10,800	9,900	195
200								9,300	200
205								8,700	205
210								8,100	210

*Over the end; special equipment required

This material is supplied for reference use only. Operator must refer to in-cab Crane Rating Manual and Operator's Manual to determine allowable crane lifting capacities and assembly and operating procedures.

Main Boom Lift Capacity Chart – 360° Rotation
154,000lb Upper Counterweight; 44,000lb Lower Counterweight
 [All capacities are listed in Pounds]

Load Radius ft	Main Boom – EM2 Boom Mode								Load Radius ft
	Boom Length – ft								
	43.7	57.4	85.8	115.2	145.5	176.8	193.1	209.3	
9	500,000*								9
10	422,100*	199,300	125,500						10
12	400,900*	186,900	117,000						12
15	323,700	171,100	106,200						15
20	242,400	149,900	91,800	82,300					20
25	191,600	133,600	80,900	72,900	70,500				25
30	156,700	120,800	72,000	65,200	63,200	51,600			30
35	131,400	110,400	65,000	58,900	57,300	51,600	45,700		35
40		102,100	59,100	53,500	52,200	51,600	45,700	37,900	40
45		95,500	54,100	49,000	47,800	51,600	45,700	37,900	45
50			49,800	45,100	44,000	49,000	45,700	37,900	50
55			45,800	41,800	40,600	45,800	45,700	37,900	55
60			42,400	38,800	37,700	42,600	44,800	37,900	60
65			39,200	36,200	35,100	40,000	41,900	37,900	65
70			36,500	33,900	32,800	37,700	39,600	37,900	70
75			34,200	31,800	30,700	35,500	37,400	37,900	75
80				29,900	28,800	33,600	35,500	34,900	80
85				28,200	27,000	31,800	33,700	32,800	85
90				26,700	25,500	30,200	32,100	30,900	90
95				25,300	24,000	28,600	30,600	29,200	95
100				24,000	22,700	27,200	29,200	27,600	100
105				22,900	21,400	25,900	27,900	26,000	105
110					20,300	24,700	26,600	24,600	110
115					19,300	23,400	25,500	23,300	115
120					18,300	22,300	24,400	22,100	120
125					17,400	21,100	23,200	20,800	125
130					16,600	20,100	22,100	19,700	130
135					15,800	19,100	20,500	18,700	135
140						18,200	19,700	17,800	140
145						17,400	18,800	16,900	145
150						16,600	18,100	16,100	150
155						15,900	17,300	15,300	155
160						15,200	16,500	14,500	160
165						14,500	15,800	13,800	165
170							15,100	12,900	170
175							14,500	12,100	175
180							13,800	11,300	180
185							13,300	10,500	185
190							12,700	9,800	190
195								9,200	195
200								8,600	200

*Over the end; special equipment required

This material is supplied for reference use only. Operator must refer to in-cab Crane Rating Manual and Operator's Manual to determine allowable crane lifting capacities and assembly and operating procedures.

Main Boom Lift Capacity Chart – 360° Rotation 154,000lb Upper Counterweight; 44,000lb Lower Counterweight [All capacities are listed in Pounds]									
Load Radius ft	Main Boom – EM3 Boom Mode								Load Radius ft
	Boom Length – ft								
	43.7	71.7	99.6	114.2	129.4	145.0	161.3	177.5	
9	500,000*								9
10	422,100*	139,600							10
12	400,900*	130,000							12
15	323,700	117,700	91,800						15
20	242,400	101,700	79,600	82,500	85,300				20
25	191,600	89,100	70,100	73,700	76,900	78,900	68,500		25
30	156,700	77,300	62,500	66,300	69,900	72,900	68,500	57,000	30
35	131,400	68,100	56,300	60,300	63,900	67,200	68,500	57,000	35
40		61,000	51,100	55,200	58,900	62,100	64,400	57,000	40
45		54,900	46,700	50,800	54,500	57,800	60,300	57,000	45
50		50,000	43,100	47,000	50,800	54,000	56,600	57,000	50
55		45,800	39,900	43,600	47,400	50,700	53,300	54,700	55
60		42,400	37,100	40,500	44,500	47,700	50,400	51,900	60
65			34,600	37,900	41,700	45,100	47,700	49,400	65
70			32,400	35,500	39,200	42,500	45,300	46,800	70
75			30,500	33,300	37,000	40,300	42,900	43,900	75
80			28,700	31,400	35,000	38,200	41,000	41,400	80
85			27,000	29,700	33,100	36,400	39,200	39,000	85
90			25,500	28,200	31,500	34,600	37,400	36,800	90
95				26,700	30,000	33,000	35,800	34,800	95
100				25,500	28,600	31,600	34,300	33,000	100
105				24,400	27,300	30,200	32,900	31,300	105
110					26,200	29,000	31,500	29,700	110
115					25,100	27,800	29,400	28,200	115
120					24,300	26,800	27,600	26,500	120
125						25,800	25,800	24,700	125
130						24,900	24,200	23,100	130
135						24,000	22,700	21,600	135
140							21,300	20,200	140
145							20,000	18,900	145
150							18,800	17,700	150
155								16,600	155
160								15,600	160
165								14,600	165

*Over the end; special equipment required

This material is supplied for reference use only. Operator must refer to in-cab Crane Rating Manual and Operator's Manual to determine allowable crane lifting capacities and assembly and operating procedures.

Main Boom Lift Capacity Chart – 360° Rotation
154,000lb Upper Counterweight; 44,000lb Lower Counterweight
 [All capacities are listed in Pounds]

Load Radius ft	Main Boom – EM4 Boom Mode								Load Radius ft
	Boom Length – ft								
	43.7	71.7	85.3	100.0	115.2	130.8	147.1	163.3	
9	500,000*								9
10	422,100*	139,600	130,900						10
12	400,900*	130,000	121,900						12
15	323,700	117,700	110,400	114,900					15
20	242,400	101,700	95,300	100,800	104,600	107,400			20
25	191,600	89,100	83,800	89,700	94,200	97,700	91,700	74,500	25
30	156,700	77,300	74,500	80,700	85,500	89,500	91,700	74,500	30
35	131,400	68,100	67,000	73,300	78,300	82,400	84,900	74,500	35
40		61,000	61,000	67,100	72,200	76,400	79,300	74,500	40
45		54,900	55,800	61,800	66,900	71,200	74,300	71,600	45
50		50,000	51,400	57,300	62,300	66,700	69,900	66,100	50
55		45,800	47,600	53,400	58,300	62,600	65,900	61,200	55
60		42,400	44,300	49,900	54,800	59,000	62,300	56,900	60
65			41,500	46,900	51,700	55,800	59,100	53,000	65
70			39,100	44,200	48,900	53,000	56,300	49,500	70
75			36,900	41,900	46,400	50,400	53,700	46,400	75
80				39,700	44,100	48,100	50,300	43,700	80
85				37,900	42,000	45,900	46,000	41,100	85
90				36,300	40,200	43,600	42,200	38,700	90
95					38,600	40,300	38,800	36,600	95
100					37,100	37,300	35,900	34,600	100
105					35,700	34,700	33,200	32,000	105
110						32,300	30,800	29,700	110
115						30,100	28,700	27,700	115
120						28,300	26,900	25,700	120
125							25,100	24,000	125
130							23,400	22,300	130
135							21,900	20,800	135
140								19,400	140
145								18,200	145
150								17,000	150

*Over the end; special equipment required

This material is supplied for reference use only. Operator must refer to in-cab Crane Rating Manual and Operator's Manual to determine allowable crane lifting capacities and assembly and operating procedures.

Main Boom Lift Capacity Chart – 360° Rotation 154,000lb Upper Counterweight; 44,000lb Lower Counterweight [All capacities are listed in Pounds]								
Load Radius ft	Main Boom – EM5 Boom Mode							Load Radius ft
	Boom Length – ft							
	43.7	57.4	71.6	86.3	101.5	117.1	133.4	
9	500,000*							9
10	422,100*	199,300	206,100	202,800				10
12	400,900*	186,900	191,300	189,100				12
15	323,700	171,100	172,600	171,400	172,400			15
20	242,400	149,900	148,300	148,000	149,600	154,000	123,800	20
25	191,600	133,600	129,900	130,100	131,700	140,200	123,800	25
30	156,700	120,800	115,300	115,800	117,500	126,400	123,800	30
35	131,400	110,400	103,800	104,300	106,000	114,800	120,800	35
40		102,100	94,200	94,800	96,300	105,100	111,300	40
45		95,500	86,400	86,900	88,100	96,800	103,200	45
50			79,700	80,100	81,300	89,700	91,600	50
55			73,900	74,200	75,200	83,500	81,900	55
60			69,100	69,200	70,000	75,300	73,500	60
65				64,800	65,500	68,200	66,500	65
70				60,800	61,400	61,200	59,700	70
75				56,500	56,400	55,500	54,000	75
80					51,400	50,500	49,000	80
85					47,000	46,200	44,700	85
90					43,300	42,400	40,900	90
95						39,000	37,600	95
100						36,100	34,600	100
105						33,500	32,000	105
110							29,600	110
115							27,600	115
120							25,600	120
125								125
130								130
135								135
140								140
145								145
150								150

*Over the end; special equipment required

This material is supplied for reference use only. Operator must refer to in-cab Crane Rating Manual and Operator's Manual to determine allowable crane lifting capacities and assembly and operating procedures.

Main Boom Lift Capacity Chart – 360° Rotation
154,000lb Upper Counterweight; 44,000lb Lower Counterweight
 [All capacities are listed in Pounds]

Load Radius ft	Main Boom – EM6 Boom Mode							Load Radius ft
	Boom Length – ft							
	43.7	57.9	72.6	87.8	103.4	119.7	135.9	
9	500,000*							9
10	422,100*	305,000	237,100	227,200				10
12	400,900*	278,700	220,200	211,600				12
15	323,700	248,700	199,200	191,800	200,100			15
20	242,400	211,000	171,900	165,700	175,600	169,300		20
25	191,600	182,800	151,000	145,600	156,300	160,800	115,300	25
30	156,700	161,400	134,400	129,800	140,700	146,300	103,200	30
35	131,400	136,500	121,200	116,700	127,900	134,200	93,200	35
40		117,300	110,200	106,100	117,100	116,700	84,700	40
45		102,300	101,200	97,100	103,700	101,900	77,400	45
50			92,200	89,500	91,600	89,900	71,100	50
55			82,300	82,600	81,800	80,100	65,700	55
60			73,900	74,200	73,400	71,800	60,800	60
65				67,100	66,300	64,700	56,600	65
70				60,300	59,500	58,100	52,700	70
75				54,500	53,800	52,400	49,300	75
80					48,800	47,400	46,200	80
85					44,500	43,100	42,100	85
90					40,800	39,400	38,300	90
95						36,100	35,000	95
100						33,100	32,100	100
105						30,500	29,500	105
110						28,200	27,200	110
115							25,100	115
120							23,100	120
125							21,400	125

*Over the end; special equipment required

This material is supplied for reference use only. Operator must refer to in-cab Crane Rating Manual and Operator's Manual to determine allowable crane lifting capacities and assembly and operating procedures.

Main Boom Lift Capacity Chart – 360° Rotation 154,000lb Upper Counterweight; 44,000lb Lower Counterweight [All capacities are listed in Pounds]						
Load Radius ft	Main Boom – EM7 Boom Mode					Load Radius ft
	Boom Length – ft					
	43.7	58.4	73.5	89.2	105.4	
9	500,000*					9
10	422,100*	300,000	274,800	288,000		10
12	400,900*	300,000	255,100	264,700		12
15	323,700	299,100	230,400	242,300	237,100	15
20	242,400	245,700	197,900	212,300	208,700	20
25	191,600	195,200	173,500	188,800	184,400	25
30	156,700	160,600	154,100	160,700	158,700	30
35	131,400	135,400	136,400	135,700	134,000	35
40		116,200	117,300	116,600	115,000	40
45		101,200	102,300	101,800	100,200	45
50			90,200	89,700	88,100	50
55			80,300	79,800	78,300	55
60			72,000	71,500	69,900	60
65				64,400	62,900	65
70				57,800	56,600	70
75				52,100	50,800	75
80				47,100	45,800	80
85					41,500	85
90					37,800	90
95					34,500	95
100						100
105						105
110						110
115						115
120						120
125						125

*Over the end; special equipment required

This material is supplied for reference use only. Operator must refer to in-cab Crane Rating Manual and Operator's Manual to determine allowable crane lifting capacities and assembly and operating procedures.

Main Boom Lift Capacity Chart – 360° Rotation 154,000lb Upper Counterweight; 44,000lb Lower Counterweight [All capacities are listed in Pounds]					
Load Radius ft	Main Boom – EM8 Boom Mode				Load Radius ft
	Boom Length – ft				
	43.7	58.9	74.5	90.7	
9	500,000*				9
10	422,100*	292,000	288,000	275,000	10
12	400,900*	292,000	288,000	275,000	12
15	323,700	292,000	288,000	274,300	15
20	242,400	244,300	243,400	237,300	20
25	191,600	193,800	193,400	191,400	25
30	156,700	159,200	159,000	157,200	30
35	131,400	134,000	133,900	132,300	35
40		114,900	114,800	113,400	40
45		99,900	99,800	98,400	45
50		87,700	87,700	86,300	50
55			77,800	76,500	55
60			69,500	68,100	60
65			62,400	61,000	65
70				54,900	70
75				49,100	75
80				44,200	80
85					85
90					90
95					95
100					100
105					105
110					110
115					115
120					120
125					125

*Over the end; special equipment required

This material is supplied for reference use only. Operator must refer to in-cab Crane Rating Manual and Operator's Manual to determine allowable crane lifting capacities and assembly and operating procedures.

Fly Attachment Load Charts

Main Boom + 12ft Offset Fly Lift Capacity Chart – 360° Rotation (Manual Offset & Hydraulic Offset) 154,000lb Upper Counterweight; 44,000lb Lower Counterweight [All capacities are listed in Pounds]								
Load Radius ft	Boom Length – ft							Load Radius ft
	43.7	57.4–58.9	71.1–74.5	85.3–86.3	87.8–90.7	99.6–105.4	117.1–119.7	
10	83,400	83,400	83,400	83,400	83,400			10
12	83,400	83,400	83,400	83,400	83,400			12
15	83,400	83,400	83,400	83,400	83,400	83,400	83,400	15
20	83,400	83,400	83,400	83,400	83,400	83,400	83,400	20
25	83,400	83,400	83,400	83,400	83,400	83,400	83,400	25
30	78,900	83,400	83,400	83,400	83,400	83,400	83,400	30
35	73,300	83,400	83,400	83,400	83,400	83,400	83,400	35
40	68,900	78,800	83,400	83,400	83,400	83,400	83,400	40
45	63,100	74,400	82,700	76,800	83,400	83,400	83,400	45
50		70,700	78,600	70,800	83,400	83,400	83,400	50
55		67,800	75,000	65,600	80,300	81,500	79,400	55
60		62,800	71,400	61,300	72,100	73,300	71,300	60
65			66,400	57,300	65,100	66,300	65,200	65
70			61,300	53,700	60,900	59,700	60,900	70
75			54,100	50,600	55,200	54,000	55,300	75
80				47,300	50,200	49,100	50,300	80
85				45,300	46,000	46,400	46,000	85
90					40,100	43,400	42,200	90
95						40,100	38,900	95
100						37,200	36,000	100
105						32,400	33,400	105
110							31,000	110
115							28,900	115
120							24,400	120
125								125
130								130
135								135
140								140
145								145
150								150
155								155
160								160
165								165
170								170
175								175
180								180
185								185
190								190
195								195
200								200
205								205
210								210
215								215
220								220

Note: Capacities depict multiple boom modes and considers multiple fly offset angles.

This material is supplied for reference use only. Operator must refer to in-cab Crane Rating Manual and Operator's Manual to determine allowable crane lifting capacities and assembly and operating procedures.

Main Boom + 12ft Offset Fly Lift Capacity Chart – 360° Rotation (Manual Offset & Hydraulic Offset) 154,000lb Upper Counterweight; 44,000lb Lower Counterweight [All capacities are listed in Pounds]								
Load Radius ft	Boom Length – ft							Load Radius ft
	133.4	147.1	163.3	177.5	193.1	209.3	223	
10								10
12								12
15	77,300							15
20	77,300	58,100						20
25	77,300	58,100	49,100	38,400	31,500			25
30	77,300	58,100	49,100	38,400	31,500	27,400		30
35	77,300	58,100	49,100	38,400	31,500	27,400	22,600	35
40	77,300	58,100	49,100	38,400	31,500	27,400	22,600	40
45	77,300	58,100	49,100	38,400	31,500	27,400	22,600	45
50	77,300	56,400	49,100	38,400	31,500	27,400	22,600	50
55	77,300	53,000	49,100	38,400	31,500	27,400	22,600	55
60	72,500	50,000	49,100	38,400	31,500	27,400	22,600	60
65	65,600	47,300	47,300	38,400	31,500	27,400	22,600	65
70	59,200	44,800	44,300	38,100	31,500	27,400	22,600	70
75	53,600	42,600	41,700	36,200	31,500	27,400	22,600	75
80	48,600	40,600	39,200	34,500	31,200	27,400	22,600	80
85	44,300	38,700	36,900	33,000	29,600	27,400	22,600	85
90	40,600	37,000	34,800	31,600	28,100	27,400	22,600	90
95	37,300	35,500	32,800	30,200	26,700	25,800	22,600	95
100	34,300	34,000	31,100	29,000	25,500	24,400	22,600	100
105	31,700	32,700	29,400	27,800	24,200	23,000	22,600	105
110	29,400	30,300	27,800	26,400	23,100	21,700	21,700	110
115	27,400	28,300	26,400	25,100	22,100	20,500	20,600	115
120	25,500	26,400	25,100	23,800	21,100	19,400	19,500	120
125	23,700	24,600	23,400	22,700	20,000	18,300	18,400	125
130	22,100	23,000	21,800	21,600	19,200	17,300	17,500	130
135	20,500	21,500	20,300	20,700	18,400	16,400	16,500	135
140		20,200	18,900	19,500	17,500	15,500	15,700	140
145		18,900	17,600	18,200	16,700	14,700	14,800	145
150			16,500	17,000	15,900	13,900	14,100	150
155			15,400	15,900	15,100	13,100	13,300	155
160			14,400	14,900	14,400	12,400	12,600	160
165			12,400	14,000	13,700	11,800	11,900	165
170				13,100	13,000	11,100	11,300	170
175				12,300	12,200	10,500	10,700	175
180					11,400	9,900	10,100	180
185					10,700	9,300	9,500	185
190					10,000	8,800	9,000	190
195					6,200	8,300	8,500	195
200						7,600	8,000	200
205						6,900	7,600	205
210							7,000	210
215							6,400	215
220							5,800	220

Note: Capacities depict multiple boom modes and considers multiple fly offset angles.

This material is supplied for reference use only. Operator must refer to in-cab Crane Rating Manual and Operator's Manual to determine allowable crane lifting capacities and assembly and operating procedures.

Main Boom & Offset Fly Lift Capacity Chart – 360° Rotation									
(Manual Offset)									
154,000lb Upper Counterweight; 44,000lb Lower Counterweight									
[All capacities are listed in Pounds]									
Load Radius ft	223' Boom Length								Load Radius ft
	40' Fly				67' Fly				
	Fly Offset				Fly Offset				
	2°	15°	30°	45°	2°	15°	30°	45°	
35									35
40									40
45	14,100								45
50	14,100				9,700				50
55	14,100	14,500			9,700				55
60	14,100	14,500			9,700				60
65	14,100	14,500	15,800		9,700				65
70	14,100	14,500	15,800		9,700	10,200			70
75	14,100	14,500	15,800	18,300	9,700	10,200			75
80	14,100	14,500	15,800	18,000	9,700	10,200			80
85	14,100	14,500	15,800	17,800	9,700	10,200	11,200		85
90	14,100	14,500	15,800	17,600	9,700	10,200	11,000		90
95	14,100	14,500	15,800	17,400	9,700	10,200	10,800		95
100	14,100	14,500	15,800	17,200	9,700	10,200	10,600	9,700	100
105	14,100	14,500	15,800	17,000	9,700	10,200	10,500	9,600	105
110	14,100	14,500	15,800	16,800	9,700	10,200	10,300	9,400	110
115	14,100	14,500	15,800	16,600	9,700	10,200	10,200	9,300	115
120	14,100	14,500	15,800	16,500	9,700	10,200	10,000	9,200	120
125	14,100	14,500	15,800	16,300	9,700	10,200	9,900	9,100	125
130	14,100	14,500	15,800	16,200	9,700	10,200	9,700	9,000	130
135	14,100	14,500	15,800	16,000	9,700	10,200	9,600	8,900	135
140	14,100	14,500	15,700	15,600	9,700	10,200	9,400	8,800	140
145	14,100	14,500	15,000	15,000	9,700	10,200	9,300	8,700	145
150	13,700	13,900	14,200	14,400	9,700	10,200	9,200	8,600	150
155	13,000	13,200	13,500	13,600	9,700	10,100	9,100	8,500	155
160	12,300	12,500	12,800	12,900	9,700	10,000	9,000	8,500	160
165	11,600	11,900	12,100	12,300	9,700	9,800	8,900	8,400	165
170	11,000	11,300	11,500	11,600	9,100	9,700	8,800	8,300	170
175	10,400	10,700	10,900	11,000	8,400	9,200	8,700	8,300	175
180	9,900	10,100	10,300	10,400	7,700	8,500	8,600	8,200	180
185	9,300	9,500	9,700	9,800	7,100	7,800	8,500	8,200	185
190	8,800	9,000	9,200	9,300	6,500	7,200	7,800	8,100	190
195	8,300	8,500	8,700	8,800	6,000	6,600	7,200	7,600	195
200	7,800	8,000	8,200	8,300	5,400	6,000	6,600	6,900	200
205	7,400	7,600	7,700	7,800	4,900	5,500	6,000	6,300	205
210	7,000	7,100	7,300	7,300	4,500	5,000	5,500	5,700	210
215	6,500	6,700	6,800	6,800	4,000	4,500	5,000	5,200	215
220	6,100	6,300	6,400		3,600	4,100	4,500	4,600	220
225	5,800	5,900	6,000		3,200	3,600	4,000	4,100	225
230	5,400	5,500	5,600		2,800	3,200	3,500	3,600	230
235	4,900	5,100	5,100		2,400	2,800	3,100	3,200	235
240	4,400	4,500	4,600		2,100	2,400	2,700	2,700	240
245	3,900	4,000					2,300		245

This material is supplied for reference use only. Operator must refer to in-cab Crane Rating Manual and Operator's Manual to determine allowable crane lifting capacities and assembly and operating procedures.

Main Boom & Offset Fly Lift Capacity Chart – 360° Rotation (Hydraulic Offset) 154,000lb Upper Counterweight; 44,000lb Lower Counterweight [All capacities are listed in Pounds]									
Load Radius ft	223' Boom Length								Load Radius ft
	40° Fly				67° Fly				
	Fly Offset				Fly Offset				
	2°–4°	4.1°–15°	15.1°–30°	30.1°–45°	2°–4°	4.1°–15°	15.1°–30°	30.1°–45°	
40	14,000	14,000							40
45	14,000	14,000			9,700	9,700			45
50	14,000	14,000	14,400		9,700	9,700			50
55	14,000	14,000	14,400		9,700	9,700			55
60	14,000	14,000	14,400	15,800	9,700	9,700			60
65	14,000	14,000	14,400	15,800	9,700	9,700	10,100		65
70	14,000	14,000	14,400	15,800	9,700	9,700	10,100		70
75	14,000	14,000	14,400	15,800	9,700	9,700	10,100		75
80	14,000	14,000	14,400	15,800	9,700	9,700	10,100		80
85	14,000	14,000	14,400	15,800	9,700	9,700	10,100	11,200	85
90	14,000	14,000	14,400	15,800	9,700	9,700	10,100	11,000	90
95	14,000	14,000	14,400	15,800	9,700	9,700	10,100	10,800	95
100	14,000	14,000	14,400	15,800	9,700	9,700	10,100	9,700	100
105	14,000	14,000	14,400	15,800	9,700	9,700	10,100	9,600	105
110	14,000	14,000	14,400	15,800	9,700	9,700	10,100	9,400	110
115	14,000	14,000	14,400	15,800	9,700	9,700	10,100	9,300	115
120	14,000	14,000	14,400	15,800	9,700	9,700	10,000	9,200	120
125	14,000	14,000	14,400	15,800	9,700	9,700	9,900	9,100	125
130	14,000	14,000	14,400	15,800	9,700	9,700	9,700	9,000	130
135	14,000	14,000	14,400	15,800	9,700	9,700	9,600	8,900	135
140	14,000	14,000	14,400	15,600	9,700	9,700	9,400	8,800	140
145	14,000	14,000	14,400	15,000	9,700	9,700	9,300	8,700	145
150	13,700	13,700	13,900	14,200	9,700	9,700	9,200	8,600	150
155	13,000	13,000	13,200	13,500	9,700	9,700	9,100	8,500	155
160	12,300	12,300	12,500	12,800	9,700	9,700	9,000	8,500	160
165	11,600	11,600	11,900	12,100	9,700	9,700	8,900	8,400	165
170	11,000	11,000	11,300	11,500	9,700	9,700	8,800	8,300	170
175	10,400	10,400	10,700	10,900	9,700	9,600	8,700	8,300	175
180	9,900	9,900	10,100	10,300	9,700	9,400	8,600	8,200	180
185	9,300	9,300	9,500	9,700	9,200	9,300	8,500	8,200	185
190	8,800	8,800	9,000	9,200	8,700	8,800	8,400	8,100	190
195	8,300	8,300	8,500	8,700	8,300	8,300	8,300	8,100	195
200	7,800	7,900	8,000	8,200	7,800	7,800	8,200	8,000	200
205	7,400	7,400	7,600	7,700	7,400	7,400	7,700	8,000	205
210	7,000	7,000	7,100	7,300	6,900	7,000	7,300	7,600	210
215	6,500	6,600	6,700	6,800	6,500	6,600	6,900	7,100	215
220	6,100	6,200	6,300	6,400	6,100	6,200	6,500	6,700	220
225	5,800	5,800	5,900	6,000	5,800	5,800	6,100	6,300	225
230	5,400	5,400	5,500	5,500	5,400	5,400	5,700	5,900	230
235	4,900	4,900	5,100	5,000	5,100	5,100	5,300	5,500	235
240	4,400	4,400	4,500	4,400	4,700	4,700	5,000	5,200	240
245	3,900	3,900	4,000		4,400	4,400	4,600	4,800	245
250					4,100	4,100	4,300	4,400	250
255					3,700	3,700	4,000	4,000	255
260					3,300	3,300	3,600	3,500	260
265					2,900	2,900	3,100		265
270					2,500	2,500	2,700		270
275					2,100	2,200			275

This material is supplied for reference use only. Operator must refer to in-cab Crane Rating Manual and Operator's Manual to determine allowable crane lifting capacities and assembly and operating procedures.

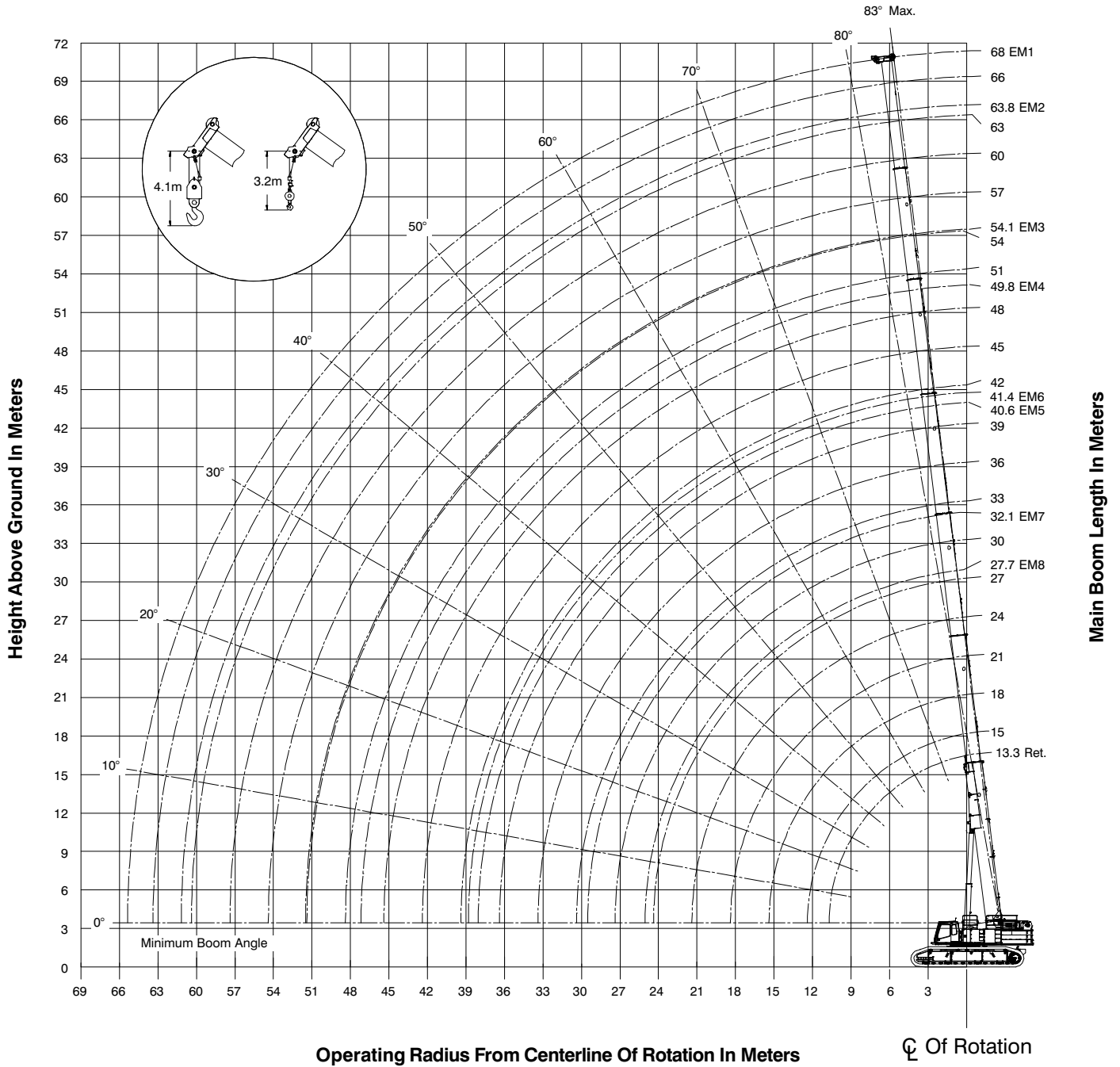
Main Boom & Offset Fly Lift Capacity Chart – 360° Rotation									
(Manual Offset)									
154,000lb Upper Counterweight; 44,000lb Lower Counterweight									
[All capacities are listed in Pounds]									
Load Radius ft	223' Boom Length								Load Radius ft
	92' Fly				117' Fly				
	Fly Offset				Fly Offset				
	2°	15°	30°	45°	2°	15°	30°	45°	
60	7,100								60
65	6,200								65
70	6,200				5,300				70
75	6,200	7,000			4,500				75
80	6,200	6,500			4,500				80
85	6,200	6,500			4,500	5,300			85
90	6,200	6,500			4,500	4,700			90
95	6,200	6,500	6,800		4,500	4,700			95
100	6,200	6,500	6,800		4,500	4,700			100
105	6,200	6,500	6,800	6,600	4,500	4,700	5,100		105
110	6,200	6,500	6,800	6,600	4,500	4,700	5,100		110
115	6,200	6,500	6,800	6,600	4,500	4,700	5,100	4,900	115
120	6,200	6,500	6,800	6,600	4,500	4,700	5,100	4,900	120
125	6,200	6,500	6,800	6,600	4,500	4,700	5,100	4,900	125
130	6,200	6,500	6,800	6,600	4,500	4,700	5,100	4,900	130
135	6,200	6,500	6,800	6,600	4,500	4,700	5,100	4,900	135
140	6,200	6,500	6,800	6,600	4,500	4,700	5,100	4,900	140
145	6,200	6,500	6,800	6,600	4,500	4,700	5,100	4,900	145
150	6,200	6,500	6,800	6,600	4,500	4,700	5,100	4,900	150
155	6,200	6,500	6,800	6,600	4,500	4,700	5,100	4,900	155
160	6,200	6,500	6,800	6,600	4,500	4,700	5,100	4,900	160
165	6,200	6,500	6,800	6,600	4,500	4,700	5,100	4,900	165
170	6,200	6,500	6,800	6,600	4,500	4,700	5,100	4,900	170
175	6,200	6,500	6,800	6,600	4,500	4,700	5,100	4,900	175
180	6,200	6,500	6,800	6,600	4,500	4,700	4,900	4,800	180
185	6,200	6,500	6,800	6,600	4,500	4,700	4,800	4,700	185
190	6,200	6,500	6,700	6,500	4,500	4,700	4,700	4,600	190
195	6,200	6,500	6,600	6,400	4,500	4,700	4,500	4,400	195
200	6,200	6,500	6,500	6,300	4,500	4,700	4,400	4,300	200
205	6,200	6,500	6,400	6,200	4,500	4,500	4,300	4,200	205
210	6,200	6,500	6,300	6,100	4,500	4,400	4,200	4,100	210
215	5,900	6,300	6,200	6,000	4,500	4,300	4,100	4,000	215
220	5,500	5,900	6,000	6,000	4,400	4,200	4,000	3,900	220
225	5,100	5,500	5,800	5,900	4,300	4,000	3,900	3,800	225
230	4,800	5,100	5,400	5,600	4,100	3,900	3,800	3,700	230
235	4,400	4,800	5,000	5,200	3,800	3,800	3,700	3,600	235
240	4,100	4,400	4,700	4,800	3,500	3,700	3,600	3,500	240
245	3,800	4,100	4,300	4,400	3,100	3,500	3,500	3,500	245
250	3,500	3,800	4,000	4,100	2,800	3,200	3,400	3,400	250
255	3,200	3,400	3,700	3,700	2,500	2,900	3,200	3,300	255
260	2,900	3,100	3,300	3,400	2,300	2,600	2,800	2,900	260
265	2,600	2,900	3,000	3,000		2,300	2,500	2,600	265
270	2,300	2,600	2,700				2,200	2,300	270
275		2,200	2,400						275

This material is supplied for reference use only. Operator must refer to in-cab Crane Rating Manual and Operator's Manual to determine allowable crane lifting capacities and assembly and operating procedures.

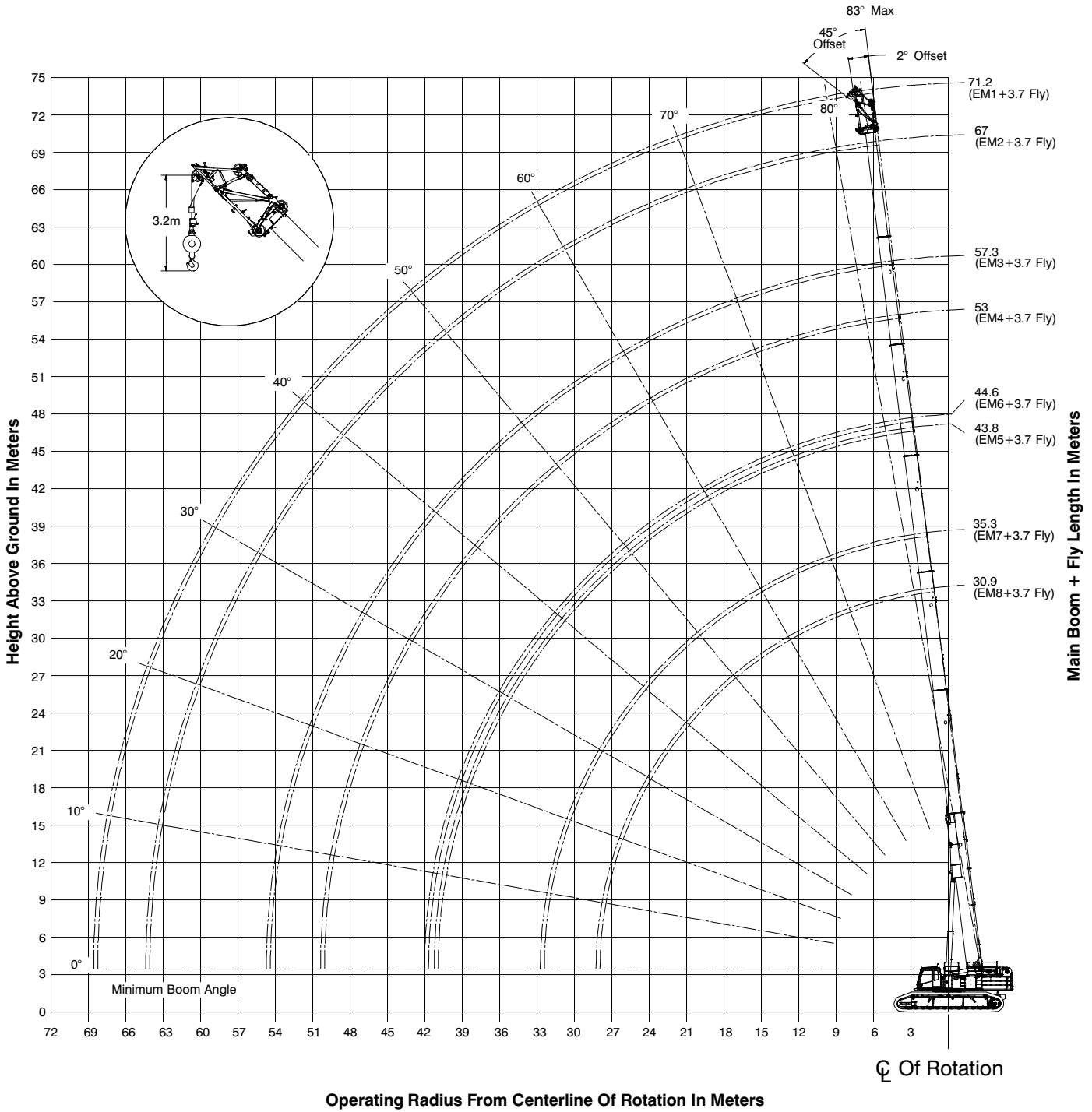
Main Boom & Offset Fly Lift Capacity Chart – 360° Rotation (Hydraulic Offset) 154,000lb Upper Counterweight; 44,000lb Lower Counterweight [All capacities are listed in Pounds]									
Load Radius ft	223' Boom Length								Load Radius ft
	92' Fly				117' Fly				
	Fly Offset				Fly Offset				
	2°–4°	4.1°–15°	15.1°–30°	30.1°–45°	2°–4°	4.1°–15°	15.1°–30°	30.1°–45°	
50	6,400	6,400							50
55	6,400	6,400							55
60	6,400	6,400			4,800	4,800			60
65	6,400	6,400			4,800	4,800			65
70	6,400	6,400	6,700		4,800	4,800			70
75	6,400	6,400	6,700		4,800	4,800			75
80	6,400	6,400	6,700		4,800	4,800	5,200		80
85	6,400	6,400	6,700	7,600	4,800	4,800	5,000		85
90	6,400	6,400	6,700	7,600	4,800	4,800	5,000		90
95	6,400	6,400	6,700	7,600	4,800	4,800	5,000	5,100	95
100	6,400	6,400	6,700	7,600	4,800	4,800	5,000	5,100	100
105	6,400	6,400	6,700	7,600	4,800	4,800	5,000	5,100	105
110	6,400	6,400	6,700	7,600	4,800	4,800	5,000	5,100	110
115	6,400	6,400	6,700	7,600	4,800	4,800	5,000	5,100	115
120	6,400	6,400	6,700	7,600	4,800	4,800	5,000	5,100	120
125	6,400	6,400	6,700	7,600	4,800	4,800	5,000	5,100	125
130	6,400	6,400	6,700	7,600	4,800	4,800	5,000	5,100	130
135	6,400	6,400	6,700	7,600	4,800	4,800	5,000	5,100	135
140	6,400	6,400	6,700	7,600	4,800	4,800	5,000	5,100	140
145	6,400	6,400	6,700	7,500	4,800	4,800	5,000	5,100	145
150	6,400	6,400	6,700	7,400	4,800	4,800	5,000	5,100	150
155	6,400	6,400	6,700	7,300	4,800	4,800	5,000	5,100	155
160	6,400	6,400	6,700	7,100	4,800	4,800	5,000	5,100	160
165	6,400	6,400	6,700	7,000	4,800	4,800	5,000	5,100	165
170	6,400	6,400	6,700	6,900	4,800	4,800	5,000	5,100	170
175	6,400	6,400	6,700	6,800	4,800	4,800	5,000	5,000	175
180	6,400	6,400	6,700	6,700	4,800	4,800	5,000	4,800	180
185	6,400	6,400	6,700	6,600	4,800	4,800	4,800	4,700	185
190	6,400	6,400	6,700	6,500	4,800	4,800	4,700	4,600	190
195	6,400	6,400	6,600	6,400	4,800	4,800	4,600	4,500	195
200	6,400	6,400	6,500	6,300	4,800	4,700	4,400	4,400	200
205	6,400	6,400	6,400	6,200	4,800	4,600	4,300	4,200	205
210	6,300	6,300	6,300	6,100	4,700	4,400	4,200	4,100	210
215	5,900	5,900	6,200	6,100	4,600	4,300	4,100	4,000	215
220	5,500	5,500	5,900	6,000	4,400	4,200	4,000	3,900	220
225	5,100	5,200	5,500	5,800	4,300	4,100	3,900	3,800	225
230	4,800	4,800	5,100	5,400	4,100	3,900	3,800	3,700	230
235	4,400	4,500	4,800	5,000	3,800	3,800	3,700	3,600	235
240	4,100	4,100	4,400	4,700	3,500	3,500	3,600	3,600	240
245	3,800	3,800	4,100	4,300	3,100	3,200	3,500	3,500	245
250	3,500	3,500	3,800	4,000	2,800	2,900	3,200	3,400	250
255	3,200	3,200	3,400	3,700	2,500	2,600	2,900	3,200	255
260	2,900	2,900	3,100	3,300	2,300	2,300	2,600	2,800	260
265	2,600	2,600	2,900	3,000			2,300	2,500	265
270	2,300	2,300	2,600	2,700				2,200	270
275			2,300	2,300					275

This material is supplied for reference use only. Operator must refer to in-cab Crane Rating Manual and Operator's Manual to determine allowable crane lifting capacities and assembly and operating procedures.

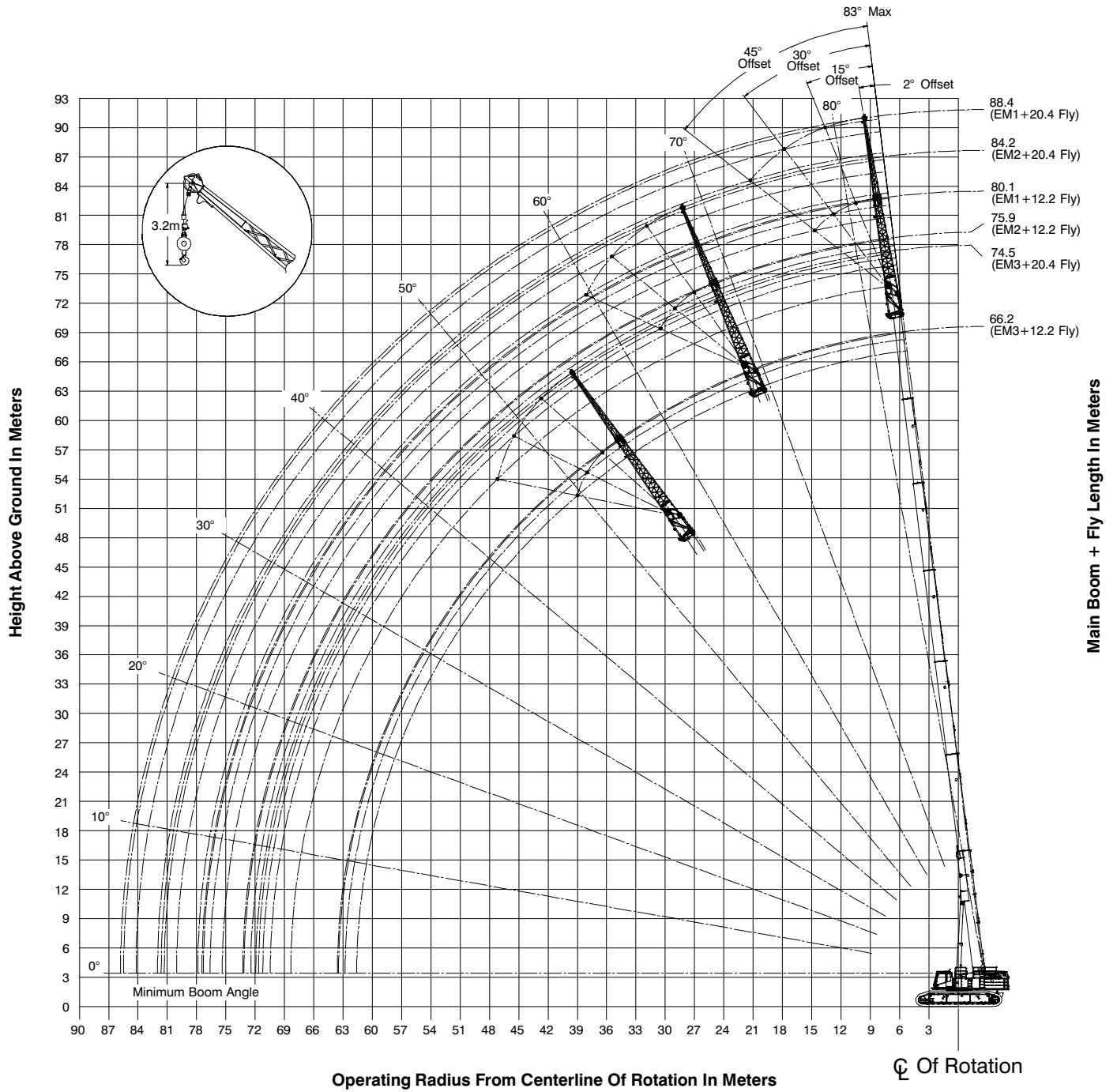
Working Range Diagrams – Metric Main Boom



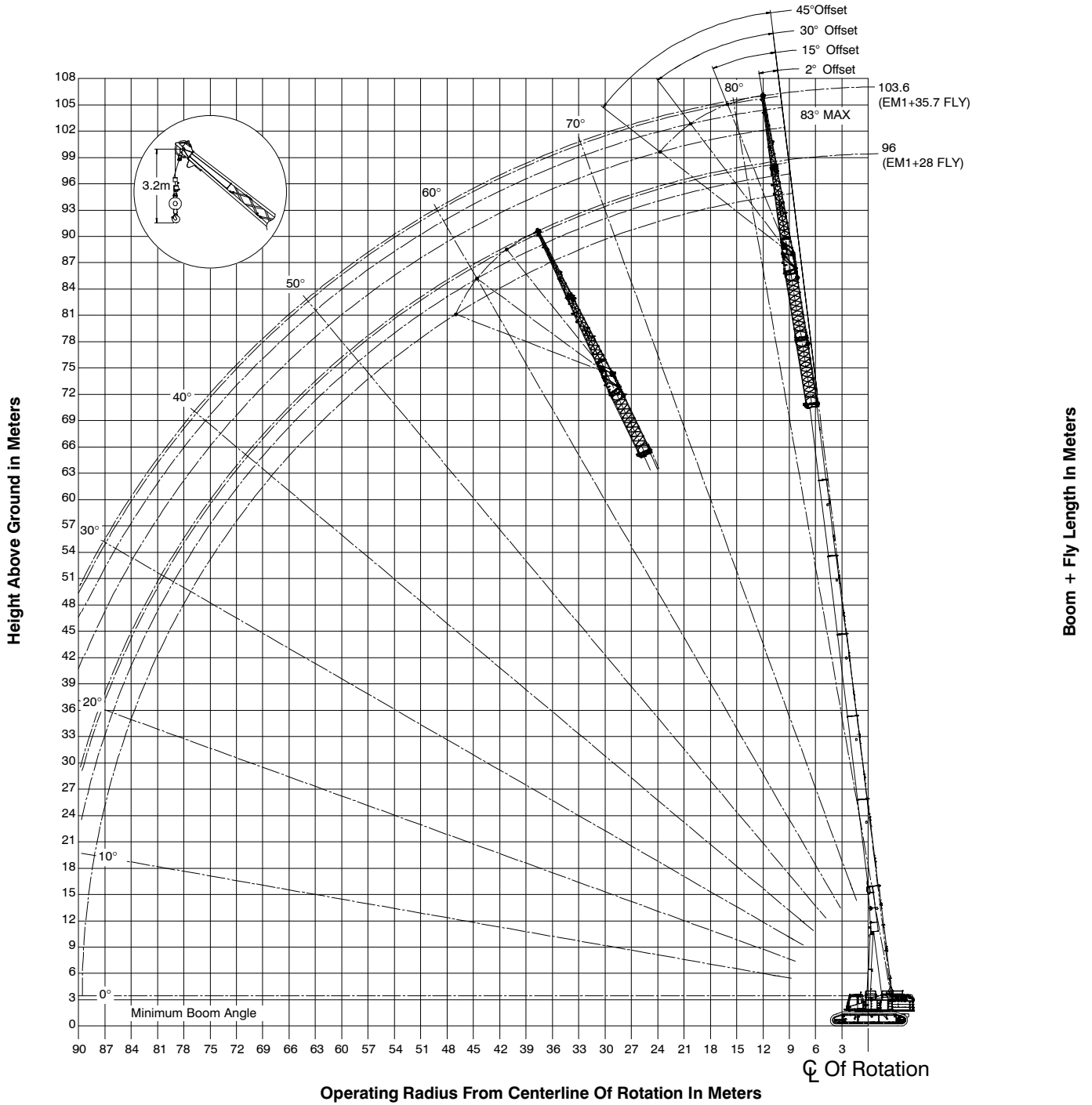
68m Main Boom + 3.7m Fly



68m Main Boom + 12.2–20.4m Fly



68m Main Boom + 28-35.7m Fly



Boom Mode Performance – Metric

ABCD+A Counterweight (69 853kg)																	
Rad (m)	EM1	EM2	EM3	EM4	EM5	EM6	EM7	EM8	Rad (m)	EM1	EM2	EM3	EM4	EM5	EM6	EM7	EM8
	Boom Length (m)									Boom Length (m)							
	17.5	17.5	17.5	17.5	17.5	17.5	17.5	17.5		39.3		39.5	39.9	40.7	41.5		
3.0									6.09								
7.62									22.9								
12.2									24.4								
15.2									25.9								
	21.7	21.7	21.7	21.7	21.8	22.1	22.4	22.7	35.1								
3.0									36.6								
6.06									38.1								
9.14																	
12.2																	
15.2																	
18.3																	
		26.2	26.2	26	26.3	26.75	27.18	27.66			44.4	44.2	44.9				
3.0									7.62								
4.57									9.14								
7.62									35.1								
9.14									36.6								
13.7									38.1								
15.2									39.6								
19.8									41.2								
21.3									42.7								
22.9																	
24.4																	
	30.4		30.4	30.5	31	31.5	32.2			48.3		49.2	49.8				
4.57									7.62								
6.09									30.5								
10.7									32.0								
12.2									44.2								
19.8									45.7								
21.3																	
27.4																	
29.0																	
			35.1	34.8	35.1	35.7	36.5				53.9	54.1					
4.57									9.14								
6.09									45.7								
12.2									48.8								
19.8									50.3								
21.3																	
27.4																	
29.0																	
										58.1	58.9						
4.57									9.14								
6.09									10.7								
12.2									24.4								
13.7									50.3								
15.2									51.8								
27.4									53.3								
29.0									54.9								
										63.1	63.8						
4.57									10.7								
6.09									12.2								
12.2									27.4								
13.7									29.0								
15.2									59.4								
30.5																	
32.0																	
33.5																	

Main Boom Load Charts – Metric

Main Boom Lift Capacity Chart – 360° Rotation 70mt Upper Counterweight; 20mt Lower Counterweight [All capacities are listed in kg]									
Load Radius m	Main Boom – EM1 Boom Mode								Load Radius m
	Boom Length – m								
	13.3	21.7	30.3	39.3	48.5	58.1	63.0	68.0	
2.8	230 000*								2.8
3.0	191 461*	63 700							3.0
3.5	181 845*	60 000							3.5
4.0	159 050	56 750							4.0
4.5	149 150	53 800	41 900						4.5
5.0	134 450	51 150	39 900						5.0
6.0	111 750	46 550	36 400	34 800					6.0
7.0	95 150	42 700	33 400	32 150					7.0
8.0	82 400	39 050	30 850	29 800	25 050				8.0
9.0	72 350	35 550	28 650	27 800	25 050	18 100			9.0
10.0	64 250	32 600	26 700	26 000	25 050	18 100	16 250		10.0
12.0		28 050	23 450	22 900	23 000	18 100	16 250	14 050	12.0
14.0		24 450	20 850	20 400	20 550	18 100	16 250	14 050	14.0
16.0		21 700	18 800	18 400	18 500	18 100	16 250	14 050	16.0
18.0		19 550	17 050	16 650	16 750	18 100	16 250	14 050	18.0
20.0			15 550	15 200	15 250	17 300	16 250	14 050	20.0
22.0			14 300	13 950	13 950	16 000	16 250	14 050	22.0
24.0			13 200	12 850	12 850	14 850	15 700	14 050	24.0
26.0			12 200	11 900	11 800	13 800	14 650	14 050	26.0
28.0				11 050	10 950	12 850	13 700	13 750	28.0
30.0				10 300	10 150	12 050	12 850	12 750	30.0
32.0				9 600	9 450	11 250	12 100	11 850	32.0
34.0				9 000	8 800	10 600	11 400	11 050	34.0
36.0				8 450	8 250	9 900	10 750	10 300	36.0
38.0					7 700	9 350	10 150	9 550	38.0
40.0					7 200	8 800	9 550	8 950	40.0
42.0					6 800	8 350	9 050	8 350	42.0
44.0					6 350	7 900	8 600	7 850	44.0
46.0						7 450	8 200	7 350	46.0
48.0						7 000	7 650	6 850	48.0
50.0						6 600	7 050	6 450	50.0
52.0						6 250	6 500	6 050	52.0
54.0						5 900	6 050	5 650	54.0
56.0							5 550	5 200	56.0
58.0							5 150	4 750	58.0
60.0							4 800	4 350	60.0
62.0								4 000	62.0
64.0								3 700	64.0

*Over the end; special equipment required

This material is supplied for reference use only. Operator must refer to in-cab Crane Rating Manual and Operator's Manual to determine allowable crane lifting capacities and assembly and operating procedures.

Main Boom Lift Capacity Chart – 360° Rotation									
70mt Upper Counterweight; 20mt Lower Counterweight									
[All capacities are listed in kg]									
Load Radius m	Main Boom – EM2 Boom Mode								Load Radius m
	Boom Length – m								
	13.3	17.5	26.2	35.1	44.4	53.9	58.8	63.8	
3.0	191 461*	90 900	57 250						3.0
3.5	181 845*	86 200	54 000						3.5
4.0	159 050	81 900	51 100						4.0
4.5	149 150	78 100	48 550						4.5
5.0	134 450	74 600	46 150						5.0
6.0	111 750	68 550	42 000	37 650					6.0
7.0	95 150	63 400	38 600	34 700					7.0
8.0	82 400	59 050	35 600	32 100	31 100				8.0
9.0	72 350	55 300	33 000	29 850	28 950	23 400			9.0
10.0	64 250	52 000	30 750	27 900	27 100	23 400	20 700		10.0
12.0		46 750	27 100	24 550	23 950	23 400	20 700	17 200	12.0
14.0		42 900	24 150	21 900	21 350	23 400	20 700	17 200	14.0
16.0			21 650	19 700	19 150	21 500	20 700	17 200	16.0
18.0			19 500	17 850	17 350	19 550	20 550	17 200	18.0
20.0			17 650	16 300	15 750	18 000	18 850	17 200	20.0
22.0			16 100	14 950	14 400	16 650	17 500	17 200	22.0
24.0				13 750	13 250	15 450	16 300	16 050	24.0
26.0				12 750	12 200	14 350	15 250	14 850	26.0
28.0				11 850	11 300	13 400	14 300	13 750	28.0
30.0				11 100	10 450	12 550	13 400	12 700	30.0
32.0				10 400	9 700	11 750	12 650	11 800	32.0
34.0					9 050	11 000	11 900	11 000	34.0
36.0					8 450	10 300	11 250	10 250	36.0
38.0					7 900	9 600	10 550	9 450	38.0
40.0					7 400	9 000	9 800	8 850	40.0
42.0						8 450	9 200	8 250	42.0
44.0						7 950	8 650	7 700	44.0
46.0						7 450	7 950	7 200	46.0
48.0						7 050	7 300	6 750	48.0
50.0						6 650	6 750	6 300	50.0
52.0							6 200	5 800	52.0
54.0							5 700	5 300	54.0
56.0							5 250	4 850	56.0
58.0								4 450	58.0
60.0								4 050	60.0

*Over the end; special equipment required

This material is supplied for reference use only. Operator must refer to in-cab Crane Rating Manual and Operator's Manual to determine allowable crane lifting capacities and assembly and operating procedures.

Main Boom Lift Capacity Chart – 360° Rotation
70mt Upper Counterweight; 20mt Lower Counterweight
 [All capacities are listed in kg]

Load Radius m	Main Boom – EM3 Boom Mode								Load Radius m
	Boom Length – m								
	13.3	21.7	30.3	34.8	39.4	44.2	49.2	54.1	
3.0	191 461*	63 700							3.0
3.5	181 845*	60 000							3.5
4.0	159 050	56 750							4.0
4.5	149 150	53 800	41 900						4.5
5.0	134 450	51 150	39 900						5.0
6.0	111 750	46 550	36 400	37 700	38 900				6.0
7.0	95 150	42 700	33 400	34 950	36 350				7.0
8.0	82 400	39 050	30 850	32 500	34 050	35 300	31 100		8.0
9.0	72 350	35 550	28 650	30 400	32 000	33 300	31 100	25 850	9.0
10.0	64 250	32 600	26 700	28 450	30 150	31 550	31 100	25 850	10.0
12.0		28 050	23 450	25 300	26 950	28 400	29 450	25 850	12.0
14.0		24 450	20 850	22 700	24 400	25 900	27 000	25 850	14.0
16.0		21 700	18 800	20 500	22 250	23 750	24 900	25 500	16.0
18.0		19 550	17 050	18 600	20 400	21 900	23 100	23 800	18.0
20.0			15 550	17 050	18 750	20 300	21 500	22 250	20.0
22.0			14 300	15 650	17 350	18 850	20 100	20 650	22.0
24.0			13 200	14 450	16 100	17 550	18 800	19 050	24.0
26.0			12 200	13 450	15 000	16 450	17 700	17 600	26.0
28.0				12 500	14 000	15 450	16 700	16 350	28.0
30.0				11 750	13 150	14 500	15 750	15 200	30.0
32.0				11 050	12 400	13 700	14 900	14 200	32.0
34.0					11 700	13 000	14 000	13 250	34.0
36.0					11 150	12 300	12 850	12 350	36.0
38.0						11 750	11 750	11 250	38.0
40.0						11 200	10 800	10 300	40.0
42.0							9 900	9 400	42.0
44.0							9 150	8 650	44.0
46.0							8 450	7 950	46.0
48.0								7 300	48.0
50.0								6 700	50.0

*Over the end; special equipment required

This material is supplied for reference use only. Operator must refer to in-cab Crane Rating Manual and Operator's Manual to determine allowable crane lifting capacities and assembly and operating procedures.

Main Boom Lift Capacity Chart – 360° Rotation									
70mt Upper Counterweight; 20mt Lower Counterweight									
[All capacities are listed in kg]									
Load Radius m	Main Boom – EM4 Boom Mode								Load Radius m
	Boom Length – m								
	13.3	21.7	26.0	30.5	35.1	39.9	44.8	49.8	
3.0	191 461*	63 700	59 700						3.0
3.5	181 845*	60 000	56 300						3.5
4.0	159 050	56 750	53 250						4.0
4.5	149 150	53 800	50 450	52 450					4.5
5.0	134 450	51 150	48 000	50 150					5.0
6.0	111 750	46 550	43 600	46 100	47 800	49 000			6.0
7.0	95 150	42 700	39 950	42 600	44 550	46 000			7.0
8.0	82 400	39 050	36 850	39 600	41 700	43 300	41 600	33 800	8.0
9.0	72 350	35 550	34 150	36 950	39 150	40 900	41 600	33 800	9.0
10.0	64 250	32 600	31 800	34 650	36 900	38 700	39 850	33 800	10.0
12.0		28 050	28 000	30 750	33 050	35 000	36 250	33 800	12.0
14.0		24 450	24 900	27 650	29 950	31 900	33 300	32 000	14.0
16.0		21 700	22 400	25 050	27 300	29 250	30 800	28 850	16.0
18.0		19 550	20 350	22 950	25 150	27 050	28 500	26 150	18.0
20.0			18 700	21 100	23 250	25 150	26 650	23 850	20.0
22.0			17 250	19 550	21 650	23 500	25 000	21 850	22.0
24.0				18 250	20 250	22 050	23 350	20 050	24.0
26.0				17 100	19 000	20 800	20 750	18 550	26.0
28.0					17 950	19 200	18 550	17 200	28.0
30.0					17 050	17 300	16 650	15 950	30.0
32.0					16 200	15 700	15 050	14 550	32.0
34.0						14 300	13 650	13 150	34.0
36.0						13 100	12 500	12 000	36.0
38.0							11 400	10 900	38.0
40.0							10 450	9 950	40.0
42.0							9 600	9 100	42.0
44.0								8 300	44.0
46.0								7 600	46.0

*Over the end; special equipment required

This material is supplied for reference use only. Operator must refer to in-cab Crane Rating Manual and Operator's Manual to determine allowable crane lifting capacities and assembly and operating procedures.

Main Boom Lift Capacity Chart – 360° Rotation
70mt Upper Counterweight; 20mt Lower Counterweight
 [All capacities are listed in kg]

Load Radius m	Main Boom – EM5 Boom Mode							Load Radius m
	Boom Length – m							
	13.3	17.5	21.8	26.3	30.9	35.7	40.7	
3.0	191 461*	90 900	94 050	92 550				3.0
3.5	181 845*	86 200	88 450	87 300				3.5
4.0	159 050	81 900	83 350	82 550				4.0
4.5	149 150	78 100	78 900	78 300	78 750			4.5
5.0	134 450	74 600	74 800	74 450	75 000			5.0
6.0	111 750	68 550	67 900	67 700	68 400	69 850	56 100	6.0
7.0	95 150	63 400	62 000	62 050	62 800	66 550	56 100	7.0
8.0	82 400	59 050	57 100	57 250	58 050	61 900	56 100	8.0
9.0	72 350	55 300	52 850	53 100	53 850	57 850	56 100	9.0
10.0	64 250	52 000	49 300	49 500	50 200	54 250	56 100	10.0
12.0		46 750	43 250	43 500	44 200	48 200	51 000	12.0
14.0		42 900	38 600	38 800	39 400	43 250	45 900	14.0
16.0			34 800	34 950	35 450	39 200	39 200	16.0
18.0			31 750	31 750	32 200	34 800	34 000	18.0
20.0				29 150	29 450	30 500	29 800	20.0
22.0				26 900	26 950	26 550	25 850	22.0
24.0					23 850	23 450	22 800	24.0
26.0					21 250	20 800	20 150	26.0
28.0					19 050	18 650	17 950	28.0
30.0						16 750	16 100	30.0
32.0						15 200	14 500	32.0
34.0							13 100	34.0
36.0							11 950	36.0
38.0							10 650	38.0

*Over the end; special equipment required

This material is supplied for reference use only. Operator must refer to in-cab Crane Rating Manual and Operator's Manual to determine allowable crane lifting capacities and assembly and operating procedures.

Main Boom Lift Capacity Chart – 360° Rotation
70mt Upper Counterweight; 20mt Lower Counterweight
 [All capacities are listed in kg]

Load Radius m	Main Boom – EM6 Boom Mode							Load Radius m
	Boom Length – m							
	13.3	17.7	22.1	26.8	31.5	36.5	41.4	
3.0	191 461*	138 300	108 200	103 600				3.0
3.5	181 845*	129 100	101 800	97 750				3.5
4.0	159 050	120 900	96 200	92 400				4.0
4.5	149 150	113 800	91 050	87 650	91 350			4.5
5.0	134 450	107 450	86 550	83 350	87 350			5.0
6.0	111 750	96 600	78 650	75 850	80 300	76 750		6.0
7.0	95 150	87 750	72 000	69 500	74 200	75 950		7.0
8.0	82 400	80 250	66 450	64 100	69 000	71 200	50 850	8.0
9.0	72 350	74 050	61 600	59 450	64 450	66 950	47 300	9.0
10.0	64 250	66 500	57 500	55 400	60 400	63 150	44 150	10.0
12.0		54 200	50 550	48 700	53 650	53 900	38 850	12.0
14.0		45 300	45 200	43 350	45 900	45 150	34 550	14.0
16.0			39 450	39 050	39 200	38 500	31 000	16.0
18.0			34 200	34 350	33 950	33 200	28 000	18.0
20.0				30 050	29 700	29 000	25 450	20.0
22.0				26 150	25 800	25 200	23 250	22.0
24.0				23 000	22 700	22 050	21 300	24.0
26.0					20 100	19 450	19 000	26.0
28.0					17 900	17 300	16 800	28.0
30.0						15 400	14 950	30.0
32.0						13 850	13 350	32.0
34.0							12 050	34.0
36.0							10 800	36.0
38.0							9 750	38.0

*Over the end; special equipment required

This material is supplied for reference use only. Operator must refer to in-cab Crane Rating Manual and Operator's Manual to determine allowable crane lifting capacities and assembly and operating procedures.

Main Boom Lift Capacity Chart – 360° Rotation
70mt Upper Counterweight; 20mt Lower Counterweight
 [All capacities are listed in kg]

Load Radius m	Main Boom – EM7 Boom Mode					Load Radius m
	Boom Length – m					
	13.3	17.8	22.4	27.2	32.1	
3.0	191 461*	136 050	125 450	130 600		3.0
3.5	181 845*	136 050	117 950	122 000		3.5
4.0	159 050	136 050	111 200	116 100		4.0
4.5	149 150	136 050	105 300	110 650	107 550	4.5
5.0	134 450	129 100	99 850	105 750	104 350	5.0
6.0	111 750	113 250	90 550	97 050	95 450	6.0
7.0	95 150	96 750	82 850	89 600	87 850	7.0
8.0	82 400	84 100	76 300	83 300	81 250	8.0
9.0	72 350	74 100	70 600	74 150	73 250	9.0
10.0	64 250	66 000	65 800	66 100	65 250	10.0
12.0		53 700	54 150	53 900	53 100	12.0
14.0		44 800	45 300	45 050	44 300	14.0
16.0			38 600	38 350	37 650	16.0
18.0			33 300	33 100	32 400	18.0
20.0				28 850	28 150	20.0
22.0				25 050	24 450	22.0
24.0				21 900	21 300	24.0
26.0					18 700	26.0
28.0					16 550	28.0

*Over the end; special equipment required

This material is supplied for reference use only. Operator must refer to in-cab Crane Rating Manual and Operator's Manual to determine allowable crane lifting capacities and assembly and operating procedures.

Main Boom Lift Capacity Chart – 360° Rotation					
70mt Upper Counterweight; 20mt Lower Counterweight					
[All capacities are listed in kg]					
Load Radius m	Main Boom – EM8 Boom Mode				Load Radius m
	Boom Length – m				
	13.3	17.9	22.7	27.7	
3.0	191 461*	132 400	130 600	124 700	3.0
3.5	181 845*	132 400	130 600	124 700	3.5
4.0	159 050	132 400	130 600	124 700	4.0
4.5	149 150	132 400	130 600	124 700	4.5
5.0	134 450	132 400	130 600	119 250	5.0
6.0	111 750	112 650	112 200	108 600	6.0
7.0	95 150	96 100	95 800	94 850	7.0
8.0	82 400	83 450	83 300	82 400	8.0
9.0	72 350	73 500	73 350	72 550	9.0
10.0	64 250	65 350	65 300	64 550	10.0
12.0		53 050	53 050	52 350	12.0
14.0		44 200	44 150	43 500	14.0
16.0			37 450	36 850	16.0
18.0			32 200	31 550	18.0
20.0			27 950	27 300	20.0
22.0				23 700	22.0
24.0				20 550	24.0

*Over the end; special equipment required

This material is supplied for reference use only. Operator must refer to in-cab Crane Rating Manual and Operator's Manual to determine allowable crane lifting capacities and assembly and operating procedures.

Fly Attachment Load Charts – Metric

Main Boom & Offset Fly Lift Capacity Chart – 360° Rotation (Manual Offset) 70mt Upper Counterweight; 20mt Lower Counterweight [All capacities are listed in kg]									
Load Radius m	68m Boom Length								Load Radius m
	12.2m Fly				20.4m Fly				
	Fly Offset				Fly Offset				
	2°	15°	30°	45°	2°	15°	30°	45°	
14.0	6 400								14.0
16.0	6 400				4 400				16.0
18.0	6 400	6 550			4 400				18.0
20.0	6 400	6 550	6 600		4 400				20.0
22.0	6 400	6 550	6 600	6 450	4 400	4 600			22.0
24.0	6 400	6 550	6 600	6 450	4 400	4 600			24.0
26.0	6 400	6 550	6 600	6 450	4 400	4 600	4 450		26.0
28.0	6 400	6 550	6 600	6 450	4 400	4 600	4 450		28.0
30.0	6 400	6 550	6 600	6 450	4 400	4 600	4 450	4 400	30.0
32.0	6 400	6 550	6 600	6 450	4 400	4 600	4 450	4 350	32.0
34.0	6 400	6 550	6 600	6 450	4 400	4 600	4 450	4 250	34.0
36.0	6 400	6 550	6 600	6 450	4 400	4 600	4 450	4 200	36.0
38.0	6 400	6 550	6 600	6 450	4 400	4 600	4 450	4 150	38.0
40.0	6 400	6 550	6 600	6 450	4 400	4 600	4 400	4 050	40.0
42.0	6 400	6 550	6 600	6 450	4 400	4 600	4 300	4 000	42.0
44.0	6 400	6 550	6 600	6 450	4 400	4 600	4 250	3 950	44.0
46.0	6 150	6 250	6 350	6 450	4 400	4 600	4 150	3 900	46.0
48.0	5 700	5 850	5 950	6 000	4 400	4 550	4 100	3 850	48.0
50.0	5 350	5 450	5 550	5 600	4 400	4 450	4 050	3 800	50.0
52.0	4 950	5 050	5 150	5 250	4 400	4 400	3 950	3 800	52.0
54.0	4 600	4 700	4 800	4 850	4 400	4 300	3 900	3 750	54.0
56.0	4 300	4 400	4 500	4 500	4 250	4 200	3 850	3 700	56.0
58.0	4 000	4 100	4 150	4 200	3 950	4 150	3 800	3 700	58.0
60.0	3 700	3 800	3 850	3 900	3 650	3 850	3 750	3 650	60.0
62.0	3 400	3 500	3 550	3 600	3 400	3 550	3 700	3 650	62.0
64.0	3 150	3 250	3 300	3 300	3 150	3 300	3 450	3 500	64.0
66.0	2 900	3 000	3 050		2 900	3 050	3 200	3 250	66.0
68.0	2 700	2 750	2 800		2 650	2 800	2 950	3 000	68.0
70.0	2 450	2 500	2 550		2 450	2 600	2 700	2 750	70.0
72.0	2 150	2 250	2 300		2 250	2 350	2 450	2 500	72.0
74.0	1 900	1 950			2 050	2 150	2 250	2 250	74.0
76.0					1 850	1 950	2 050		76.0
78.0					1 650	1 800	1 800		78.0
80.0					1 400	1 500	1 550		80.0
82.0					1 150	1 250	1 250		82.0

This material is supplied for reference use only. Operator must refer to in-cab Crane Rating Manual and Operator's Manual to determine allowable crane lifting capacities and assembly and operating procedures.

Main Boom & Offset Fly Lift Capacity Chart – 360° Rotation (Manual Offset) 70mt Upper Counterweight; 20mt Lower Counterweight [All capacities are listed in kg]									
Load Radius m	68m Boom Length								Load Radius m
	28m Fly				35.6m Fly				
	Fly Offset				Fly Offset				
	2°	15°	30°	45°	2°	15°	30°	45°	
20.0	2 900								20.0
22.0	2 900	3 050			2 200				22.0
24.0	2 900	3 050			2 200				24.0
26.0	2 900	3 050			2 200	2 250			26.0
28.0	2 900	3 050			2 200	2 250			28.0
30.0	2 900	3 050	3 450		2 200	2 250			30.0
32.0	2 900	3 050	3 450	2 950	2 200	2 250	2 300		32.0
34.0	2 900	3 050	3 450	2 950	2 200	2 250	2 300		34.0
36.0	2 900	3 050	3 450	2 950	2 200	2 250	2 300	2 200	36.0
38.0	2 900	3 050	3 450	2 950	2 200	2 250	2 300	2 200	38.0
40.0	2 900	3 050	3 450	2 950	2 200	2 250	2 300	2 200	40.0
42.0	2 900	3 050	3 450	2 950	2 200	2 250	2 300	2 200	42.0
44.0	2 900	3 050	3 450	2 950	2 200	2 250	2 300	2 200	44.0
46.0	2 900	3 050	3 450	2 950	2 200	2 250	2 300	2 200	46.0
48.0	2 900	3 050	3 400	2 950	2 200	2 250	2 300	2 200	48.0
50.0	2 900	3 050	3 350	2 950	2 200	2 250	2 300	2 200	50.0
52.0	2 900	3 050	3 250	2 950	2 200	2 250	2 300	2 200	52.0
54.0	2 900	3 050	3 200	2 950	2 200	2 250	2 300	2 200	54.0
56.0	2 900	3 050	3 100	2 950	2 200	2 250	2 200	2 150	56.0
58.0	2 900	3 050	3 050	2 950	2 200	2 250	2 100	2 050	58.0
60.0	2 900	3 050	3 000	2 900	2 200	2 150	2 050	2 000	60.0
62.0	2 900	3 050	2 900	2 850	2 200	2 100	2 000	1 950	62.0
64.0	2 850	3 050	2 850	2 800	2 150	2 000	1 900	1 900	64.0
66.0	2 600	2 800	2 800	2 750	2 050	1 950	1 850	1 800	66.0
68.0	2 400	2 550	2 700	2 700	2 000	1 850	1 800	1 750	68.0
70.0	2 150	2 350	2 450	2 550	1 900	1 800	1 700	1 700	70.0
72.0	1 950	2 100	2 250	2 300	1 700	1 700	1 650	1 650	72.0
74.0	1 750	1 900	2 050	2 100	1 500	1 650	1 600	1 600	74.0
76.0	1 600	1 700	1 800	1 850	1 300	1 450	1 550	1 550	76.0
78.0	1 400	1 550	1 650	1 650	1 150	1 300	1 400	1 450	78.0
80.0	1 250	1 350	1 450	1 450	950	1 100	1 200	1 250	80.0
82.0	1 100	1 200	1 250			950	1 050	1 050	82.0
84.0		1 000	1 100						84.0
86.0									86.0

This material is supplied for reference use only. Operator must refer to in-cab Crane Rating Manual and Operator's Manual to determine allowable crane lifting capacities and assembly and operating procedures.

Main Boom & Offset Fly Lift Capacity Chart – 360° Rotation
 (Hydraulic Offset)
70mt Upper Counterweight; 20mt Lower Counterweight
 [All capacities are listed in kg]

Load Radius m	68m Boom Length								Load Radius m
	12.2m Fly				20.4m Fly				
	Fly Offset				Fly Offset				
	2°–4°	4.1°–15°	15.1°–30°	30.1°–45°	2°–4°	4.1°–15°	15.1°–30°	30.1°–45°	
12.0	6 350	6 350							12.0
14.0	6 350	6 350			4 400	4 400			14.0
16.0	6 350	6 350	6 550		4 400	4 400			16.0
18.0	6 350	6 350	6 550		4 400	4 400			18.0
20.0	6 350	6 350	6 550	6 600	4 400	4 400	4 600		20.0
22.0	6 350	6 350	6 550	6 600	4 400	4 400	4 600		22.0
24.0	6 350	6 350	6 550	6 600	4 400	4 400	4 600		24.0
26.0	6 350	6 350	6 550	6 600	4 400	4 400	4 450	4 450	26.0
28.0	6 350	6 350	6 550	6 600	4 400	4 400	4 450	4 450	28.0
30.0	6 350	6 350	6 550	6 600	4 400	4 400	4 450	4 400	30.0
32.0	6 350	6 350	6 550	6 600	4 400	4 400	4 450	4 350	32.0
34.0	6 350	6 350	6 550	6 600	4 400	4 400	4 450	4 250	34.0
36.0	6 350	6 350	6 550	6 600	4 400	4 400	4 450	4 200	36.0
38.0	6 350	6 350	6 550	6 600	4 400	4 400	4 450	4 150	38.0
40.0	6 350	6 350	6 550	6 600	4 400	4 400	4 400	4 050	40.0
42.0	6 350	6 350	6 550	6 600	4 400	4 400	4 300	4 000	42.0
44.0	6 350	6 350	6 550	6 600	4 400	4 400	4 250	3 950	44.0
46.0	6 150	6 150	6 250	6 350	4 400	4 400	4 150	3 900	46.0
48.0	5 700	5 750	5 850	5 950	4 400	4 400	4 100	3 850	48.0
50.0	5 350	5 350	5 450	5 550	4 400	4 400	4 050	3 800	50.0
52.0	4 950	4 950	5 050	5 150	4 400	4 400	3 950	3 800	52.0
54.0	4 600	4 600	4 700	4 800	4 400	4 300	3 900	3 750	54.0
56.0	4 300	4 300	4 400	4 500	4 250	4 200	3 850	3 700	56.0
58.0	4 000	4 000	4 100	4 150	3 950	3 950	3 800	3 700	58.0
60.0	3 700	3 700	3 800	3 850	3 650	3 700	3 750	3 650	60.0
62.0	3 400	3 400	3 500	3 550	3 400	3 400	3 550	3 650	62.0
64.0	3 150	3 150	3 250	3 300	3 150	3 150	3 300	3 450	64.0
66.0	2 900	2 900	3 000	3 050	2 900	2 900	3 050	3 200	66.0
68.0	2 700	2 700	2 750	2 800	2 650	2 700	2 800	2 950	68.0
70.0	2 450	2 450	2 500	2 500	2 450	2 450	2 600	2 700	70.0
72.0	2 150	2 150	2 250	2 200	2 250	2 250	2 350	2 450	72.0
74.0	1 850	1 900	1 950		2 050	2 050	2 150	2 250	74.0
76.0					1 850	1 900	1 950	2 000	76.0
78.0					1 650	1 650	1 800	1 800	78.0
80.0					1 400	1 400	1 500	1 450	80.0
82.0					1 150	1 150	1 250		82.0

This material is supplied for reference use only. Operator must refer to in-cab Crane Rating Manual and Operator's Manual to determine allowable crane lifting capacities and assembly and operating procedures.

Main Boom & Offset Fly Lift Capacity Chart – 360° Rotation									
(Hydraulic Offset)									
70mt Upper Counterweight; 20mt Lower Counterweight									
[All capacities are listed in kg]									
Load Radius m	68m Boom Length								Load Radius m
	28m Fly				35.6m Fly				
	Fly Offset				Fly Offset				
	2°–4°	4.1°–15°	15.1°–30°	30.1°–45°	2°–4°	4.1°–15°	15.1°–30°	30.1°–45°	
16.0	2 900	2 900							16.0
18.0	2 900	2 900							18.0
20.0	2 900	2 900			2 150	2 150			20.0
22.0	2 900	2 900	3 050		2 150	2 150			22.0
24.0	2 900	2 900	3 050		2 150	2 150	2 350		24.0
26.0	2 900	2 900	3 050	3 450	2 150	2 150	2 250		26.0
28.0	2 900	2 900	3 050	3 450	2 150	2 150	2 250		28.0
30.0	2 900	2 900	3 050	3 450	2 150	2 150	2 250	2 300	30.0
32.0	2 900	2 900	3 050	3 450	2 150	2 150	2 250	2 300	32.0
34.0	2 900	2 900	3 050	3 450	2 150	2 150	2 250	2 300	34.0
36.0	2 900	2 900	3 050	3 450	2 150	2 150	2 250	2 300	36.0
38.0	2 900	2 900	3 050	3 450	2 150	2 150	2 250	2 300	38.0
40.0	2 900	2 900	3 050	3 450	2 150	2 150	2 250	2 300	40.0
42.0	2 900	2 900	3 050	3 450	2 150	2 150	2 250	2 300	42.0
44.0	2 900	2 900	3 050	3 400	2 150	2 150	2 250	2 300	44.0
46.0	2 900	2 900	3 050	3 350	2 150	2 150	2 250	2 300	46.0
48.0	2 900	2 900	3 050	3 250	2 150	2 150	2 250	2 300	48.0
50.0	2 900	2 900	3 050	3 200	2 150	2 150	2 250	2 300	50.0
52.0	2 900	2 900	3 050	3 150	2 150	2 150	2 250	2 300	52.0
54.0	2 900	2 900	3 050	3 100	2 150	2 150	2 250	2 200	54.0
56.0	2 900	2 900	3 050	3 000	2 150	2 150	2 200	2 150	56.0
58.0	2 900	2 900	3 050	2 950	2 150	2 150	2 100	2 050	58.0
60.0	2 900	2 900	3 000	2 900	2 150	2 150	2 050	2 000	60.0
62.0	2 900	2 900	2 900	2 850	2 150	2 100	2 000	1 950	62.0
64.0	2 850	2 850	2 850	2 800	2 150	2 000	1 900	1 900	64.0
66.0	2 600	2 650	2 800	2 750	2 050	1 950	1 850	1 800	66.0
68.0	2 400	2 400	2 550	2 700	1 950	1 850	1 800	1 750	68.0
70.0	2 150	2 200	2 350	2 450	1 900	1 800	1 700	1 700	70.0
72.0	1 950	2 000	2 100	2 250	1 700	1 700	1 650	1 650	72.0
74.0	1 750	1 800	1 900	2 050	1 500	1 500	1 600	1 600	74.0
76.0	1 600	1 600	1 700	1 800	1 300	1 300	1 450	1 550	76.0
78.0	1 400	1 400	1 550	1 650	1 150	1 150	1 300	1 400	78.0
80.0	1 250	1 250	1 350	1 450	950	950	1 100	1 200	80.0
82.0	1 100	1 100	1 200	1 250			950	1 050	82.0
84.0			1 000	1 050					84.0

This material is supplied for reference use only. Operator must refer to in-cab Crane Rating Manual and Operator's Manual to determine allowable crane lifting capacities and assembly and operating procedures.

Link-Belt Cranes Lexington, Kentucky

www.linkbelt.com

®Link-Belt is a registered trademark. Copyright 2017 We are constantly improving our products and therefore reserve the right to change designs and specifications.