

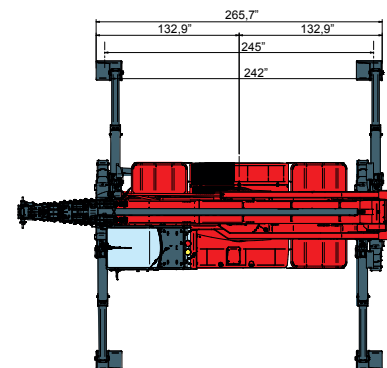
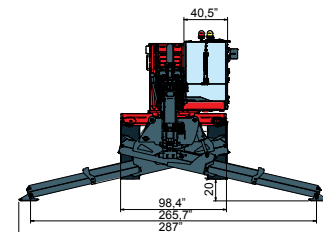
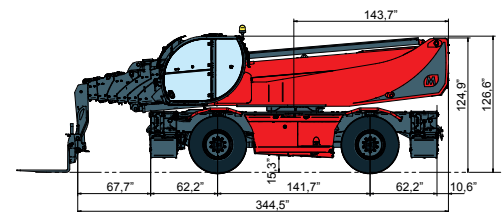
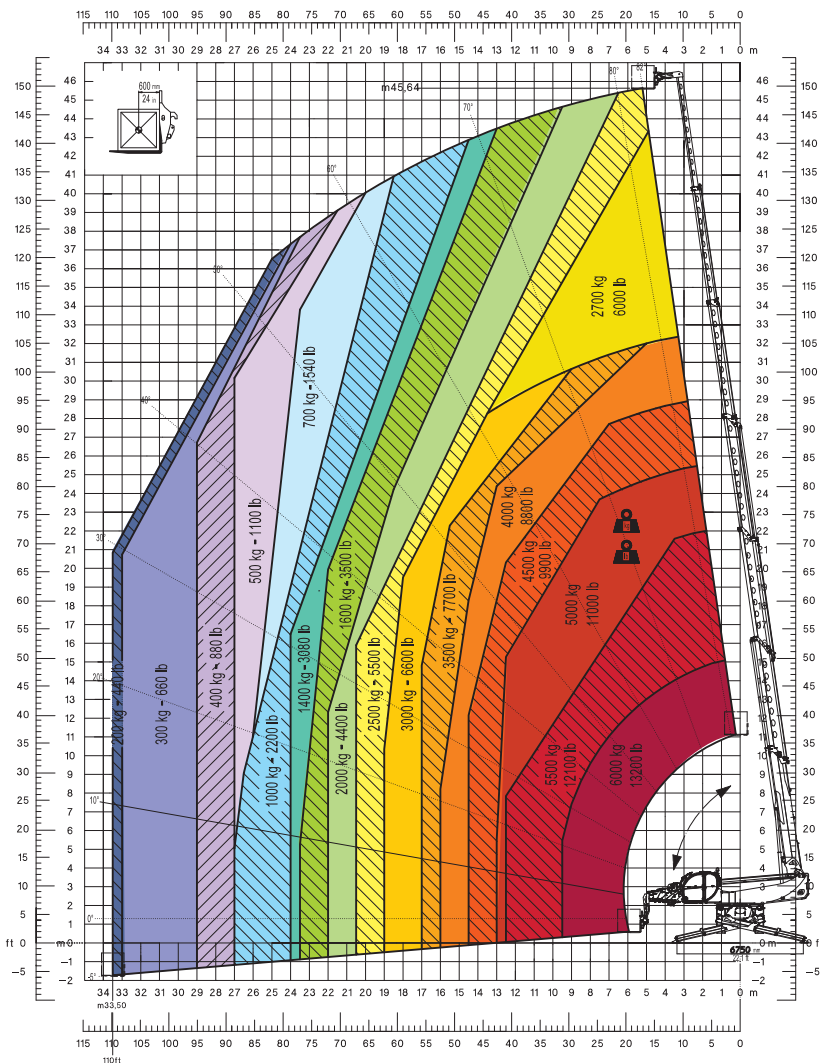
**MAGNI**  
TELESCOPIC HANDLERS

**RTH6.46SH**

**MAGNI**



<b>MACHINE MODEL</b>	Rotating telescopic handler	RTH 6.46 SH
	Maximum lifting capacity	13.200 lbs (c.o.g. 24 in)
	Maximum lifting height	150 ft
<b>ENGINE-MERCEDES</b>	Type	MERCEDES OM 934 LA - Tier 4 Final
	Rated power	170 KW - 231 HP at 2.200 rpm
	Maximum torque	900 Nm at 1.200-1.600 rpm
	Displacement	5,13 l
	Cylinders	4 in line
<b>TRANSMISSION</b>	Type	Hydrostatic
	Model	Bosch – Rexroth
	Maximum pressure	500 bar
	Displacements	Variable displacement pump Variable displacement motor
	Gear box	2 speeds forward-reverse
<b>WEIGHTS</b>	Total unladen	66.140 lbs
	Front axle unladen (boom retracted and lowered)	33.400 lbs
	Rear axle unladen (boom retracted and lowered)	32.740 lbs
<b>TANKS CAPACITIES</b>	Fuel tank	74 gal
	AdBlue	10,5 gal
	Hydraulic oil tank	66 gal
	Engine oil	5,4 gal
	Cooling liquid	9,5 gal
<b>HYDRAULIC CIRCUIT</b>	Max. operating system pressure	350 bar
	Circuit type	Load sensing



PRELIMINARY

The data in this brochure are informative and subject to change without notice