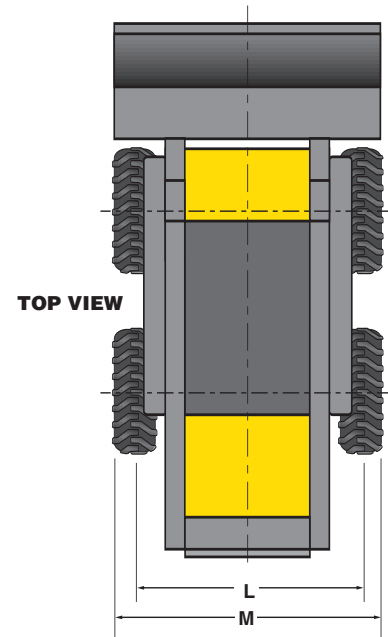
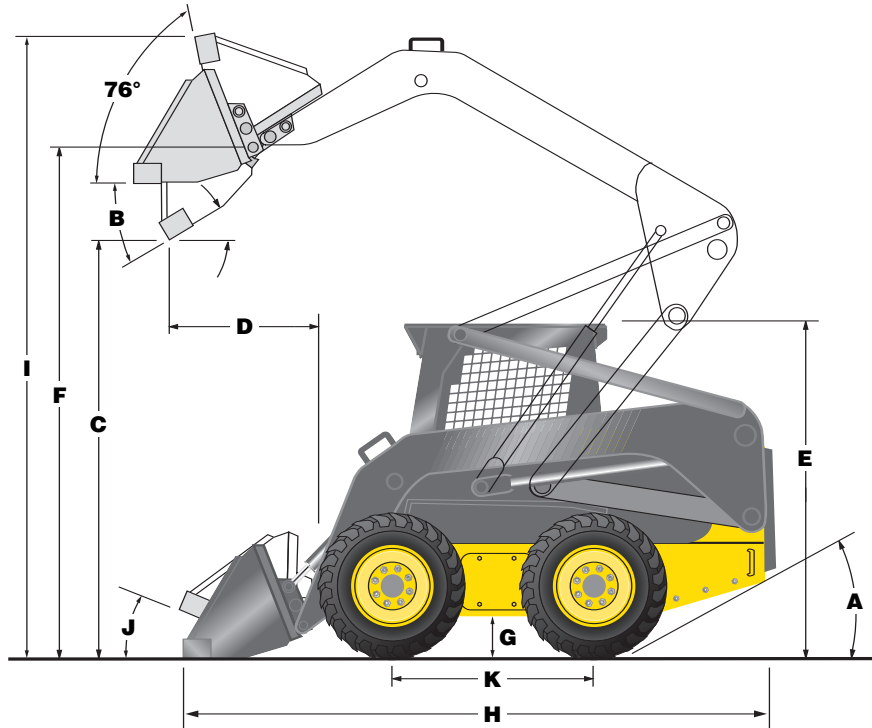


New Holland Super Boom™ Skid Steer Loaders

L140 L150 L160 L170 L180 L185 L190



DIMENSIONS

	L140	L150	L160	L170	L180	L185	L190
A. Angle of departure	26°	26°	23°	23°	28°	28°	27°
B. Dump angle (maximum)	45°	45°	46°	46°	45°	45°	45°
C. Dump height (SAE), in. (cm)	88 (223)	88 (223)	90 (230)	90 (230)	100 (254)	100 (254)	102 (259)
D. Dump reach @ maximum height (SAE), in. (cm)	24 (61)	24 (61)	28 (71)	28 (71)	32.7 (83)	32.7 (83)	32.1 (82)
E. Height, in. (cm)	72.75 (185)	72.75 (185)	74.75 (190)	74.75 (190)	77.85 (198)	77.85 (198)	79.5 (202)
F. Height to hinge pin, in. (cm)	111 (282)	111 (282)	115.5 (293)	115.5 (293)	124.7 (317)	124.7 (317)	125.6 (319)
G. Ground clearance, in. (cm)	8.25 (21)	8.25 (21)	7.7 (20)	7.7 (20)	8.4 (21)	8.4 (21)	10.1 (26)
H. Length with bucket, in. (cm)	120 (304)	120 (304)	127 (322)	127 (322)	139 (353)	139 (353)	146 (371)
I. Operating height (maximum), in. (cm)	136 (345)	136 (345)	140 (356)	140 (356)	151 (384)	151 (384)	153 (387)
J. Rollback angle (at carry position)	35°	35°	36°	36°	37°	37°	37°
K. Wheelbase, in. (cm)	37.5 (95)	37.5 (95)	42.5 (108)	42.5 (108)	48.1 (122)	48.1 (122)	51.2 (130)
L. Wheel tread, in. (cm)	47.8 (121)	47.8 (121)	55 (140)	55 (140)	58.5 (149)	58.5 (149)	62 (157)
M. Width, in. (cm)	60 (125)	60 (125)	65.6 (167)	65.6 (167)	71 (180)	71 (180)	76.5 (194)

New Holland Super Boom™ Skid Steer Loaders



L140 L150 L160 L170 L180 L185 L190

SUPER BOOM™ SKID STEER MODEL	L140	L150	L160	L170	L180	L185	L190
ENGINE							
New Holland Engine	N843	N843H	N844	N844T (Turbo)	334M2	334TM2 (Turbo)	445M2
Type of Fuel	Diesel	Diesel	Diesel	Diesel	Diesel	Diesel	Diesel
Number of Cylinders	3	3	4	4	3	3	4
Displacement cu. in. (l)	91.3 (1.5)	91.3 (1.5)	121.7 (2.0)	121.7 (2.0)	207 (3.4)	207 (3.4)	274 (4.5)
Max. SAE gross hp (kW)	32 (23.6)	38 (28.3)	46 (34)	52 (38.8)	63 (47)	78 (58.3)	80 (60)
SAE Net power hp (kW)	30 (22)	36 (26.9)	44 (32)	50 (37.3)	59 (44)	72 (53.6)	74 (55.2)
Rated engine speed RPM	2900	3200	2900	2900	2300	2300	2300
Max. Net Torque ft.lb. (nm)	69 (94)	73 (99)	101 (137)	113 (153)	190 (266)	228 (319)	236 (324)
TRANSMISSIONS							
Forward & Reverse Speeds mph (km/h)	0-6.7 (0-10.8)	0-7.5 (0-12.1)	0-7.5 (0-12.1)	0-7.5 (0-12.1)	0-6.8 (0-10.9)	0-6.8 (0-10.9)	0-7.0 (0-11.7)
Speeds with two-speed transmission	NA	NA	NA	NA	0-11.3 (0-18.1)	0-11.3 (0-18.1)	0-11.4 (0-18.3)
Max. Wheel Torque ft.lb. (nm)	2,800 (3794)	3,000 (4068)	3,918 (5313)	3,918 (5313)	6,332 (8586)	6,332 (8586)	6,332 (8586)
HYDRAULICS							
Hydraulic Pump, GPM (LPM)	10.8 (40.9)	12 (45.4)	15.5 (58.7)	17.7 (67)	19.3 (73)	19.3 (73)	21.9 (83)
High Flow Hydraulics, GPM (LPM)	10.8 (40.9)	12 (45.4)	15.5 (58.7)	17 (64.4)	19.3 (73)	19.3 (73)	21.9 (83)
PERFORMANCE							
SAE Bucket Breakout Force, lb. (kg)	3,405 (1544)	3,500 (1588)	3,712 (1687)	3,712 (1687)	7,675 (3481)	7,675 (3481)	7,675 (3481)
SAE Boom Breakout Force, lb. (kg)	2,020 (916)	2,400 (1089)	2,828 (1286)	2,828 (1286)	4,836 (2194)	4,836 (2194)	6,229 (2825)
Manufacturer's Operating Load, lb. (kg)	1,250 (567)	1,350 (612)	1,600 (725)	1,750 (794)	2,200 (998)	2,500 (1133)	2,800 (1270)
SAE Operating Load, lb. (kg)	1,380 (626)	1,400 (636)	1,700 (771)	1,765 (800)	2,400 (1090)	2,500 (1133)	2,800 (1270)
Tipping Load Without							
Weights per SAE J-732, lb. (kg)	2,760 (1252)	2,850 (1293)	3,400 (1542)	3,530 (1601)	4,800 (2177)	5,001 (2268)	5,602 (2541)
SAE Operating Weight*, lb. (kg)	4,395 (1994)	4,500 (2042)	5,534 (2210)	5,540 (2513)	7,100 (3220)	7,300 (3311)	7,860 (3565)
CAPACITIES							
Fuel tank, gal. (l)	8.75 (33.1)	8.75 (33.1)	14.4 (54.5)	14.4 (54.5)	18 (68)	18 (68)	21.5 (81)
Engine oil, qt. (l); crankcase with filter	5.8 (5.5)	5.8 (5.5)	8.8 (8.3)	8.8 (8.3)	8.5 (8.0)	8.5 (8.0)	12.7 (12)
Cooling system, qt. (l)	9.8 (9.3)	9.8 (9.3)	10.8 (10.2)	10.8 (10.2)	18 (17)	18 (17)	18 (17)

* Dimensional specifications and operating weights based on:

L140 & L150 — Base unit plus full fuel tank, 175 lb. (79 kg) operator, 60" dirt and foundry bucket, 10 x 16.5 HD tires.

L160 & L170 — Base unit plus full fuel tank, 175 lb. (79 kg) operator, 66" dirt and foundry bucket, 10 x 16.5 HD tires.

L180, L185 — Base unit plus full fuel tank, 175 lb. (79 kg) operator, 72" dirt and foundry bucket, 12 x 16.5 HD tires.

L190 — Base unit plus full fuel tank, 175 lb. (79 kg) operator, 78" dirt and foundry bucket, 14 x 17.5 tires.

New Holland Skid Steer Loaders

L120 L125



MODEL

	L120	L125
Max. SAE gross hp (kW)	18 (13.3)	16.5 (12.3)
SAE net hp (kW)	14.5 (10.8)	15.5 (11.6)
Max. forward/reverse speed, mph (kph)	5.8 (9.3)	5.8 (9.3)
SAE operating load, lb. (kg)	600 (272)	700 (317)
SAE operating weight, lb. (kg)	2,050 (930)	2,185 (991)
Overall length, in. (cm)	92.4 (235)	95.2 (242)
Overall width, in. (cm) (5.70x12 tires)	35.2 (89)	35.2 (89)
Overall height, in. (cm)	69.4 (176)	69.4 (176)
Hinge pin height, in. (cm)	93.6 (238)	93.6 (238)
SAE dump height, in. (cm)	61.8 (157)	61.8 (157)
SAE dump reach @ MAX. height, in. (cm)	21.4 (54)	21.4 (54)
Hydraulic pump flow, gpm (lpm)	8 (30.3)	8 (30.3)

TIRE OPTIONS

23 x 8.50-12, 4PR cleat-tread
5.70 x 12, 4PR chevron-tread

STANDARD BUCKETS

36" utility (4.6 cu. ft.)
42" utility (5.3 cu. ft.)
47" utility (6.0 cu. ft.)

Visit our Web site at www.newholland.com/na Or, call toll-free: 1-888-290-7377

Design, materials and/or specifications are subject to change without notice and without liability therefor. Specifications are applicable to units sold in Canada, the United States, its territories and possessions, and may vary outside these areas.



Safety begins with a thorough understanding of the equipment. Always make sure you and your operators read the Operator's Manual before using the equipment. Pay close attention to all safety and operating decals and never operate machinery without all shields, protective devices and structures in place.