



NEW HOLLAND

SUPER BOOM™ SKID STEER LOADERS



L150 L160 L170 L175
L180 L185 L190

 **NEW HOLLAND**

www.newholland.com

Courtesy of Machine.Market

WORK WITHOUT LIMITS

No matter what your line of work—construction, landscaping, demolition or farming—you'll complete your jobs more effectively with a New Holland skid steer. The innovative Super Boom™ design lets you do more in less time.

Patented Super Boom™ vertical lift linkage

- Lifts the load up and away for better dump height and reach
- Reach higher and farther into truck or loading vehicle
- Bucket remains level for less spillage, even with a full load

Rock-steady stability

- The combination of a longer wheelbase, a lower center of gravity and better weight distribution gives you a safer, more stable ride than competitive skid steers
- Travel with a full bucket over uneven terrain with less spillage and without unexpected tipping
- Go places other skid steers can't—climb steep hills with an empty bucket, and go down with a full one

Work faster

- Fast hydraulic response for decreased cycle times
- Top ground speeds from 6.9 to 11.4 mph
- Quick attachment change
- Simple routine maintenance saves time and lowers operating costs

There's no stopping the productivity of a Super Boom™ skid steer! Put the New Holland advantages to work for you.



Pilot Control option now available

Operators who prefer the precise comfort of pilot controls can choose this option on the L170 through L190.



The New Holland advantage: Move bigger loads

New Holland skid steers combine incredible stability with the superior reach of the Super Boom™ vertical lift linkage. The result? More lift capacity per pound of total machine weight. That means you can move bigger loads to increase productivity and improve your bottom line.



The long wheelbase and low center of gravity provide added stability on uneven terrain.



	Max. SAE Gross hp (kW) (diesel engine)	SAE Operating Load lbs (kg)	SAE Operating Weight lbs (kg)	SAE Dump Height in (cm)	SAE Dump Reach (at max. height), in (cm)
L150	38 (28.4)	1,350 (612)	4,500 (2042)	87.9 (222)	25 (64)
L160	46 (34.3)	1,600 (726)	5,534 (2510)	92.1 (234)	29.2 (74)
L170	52 (39.3)	1,765 (801)	5,540 (2513)	92.1 (234)	29.2 (74)
L175	60 (45)	2,000 (907)	6,230 (2826)	95.4 (242)	29 (74)
L180	63 (46.9)	2,200 (998)	7,095 (3218)	100 (255)	32.5 (83)
L185	78 (58.1)	2,500 (1134)	7,100 (3220)	100 (255)	32.5 (83)
L190	80 (60)	2,800 (1270)	7,755 (3518)	102 (259)	32.3 (81)



High-capacity hydraulics and an extra-smooth ride lead to fast cycle times on the job site.



An exceptional 45° dump angle and 36° rollback angle help boost your productivity.



HARD WORK AND DEMANDING CONDITIONS? BRING IT ON!

Super Boom™ skid steers are reliable workhorses that stand up to any challenge you face.

Proven New Holland engines

- Impressive torque rise powers through tough conditions
- Direct fuel injection provides quiet operation, better fuel economy and low emissions
- Radiators feature high cooling capacity for operating in hot temperatures
- Field-proven electrical system includes a maintenance-free battery for sure starts down to 10°F with cold-start aids

Responsive hydraulics

- Fast cycle times
- Optional high-flow hydraulics (on the L170 through L190) allow you to run oil-thirsty attachments hour after hour

L175 through L190 offer extra performance

- Optional dual-range transmission delivers travel speeds over 11 mph to save time on and between job sites
- A simplified power train uses in-line hydraulic pumps for less noise and extra-smooth, quiet operation

Big performance in small spaces

The lower overall height, compact frames, and easy maneuverability of New Holland skid steers allow you to fit easily under low overhangs, in narrow spaces and around tight corners—confined spaces that many competitive machines can't even access.



OUTSTANDING VISIBILITY AND COMPLETE CONTROL

No matter what the application, the Super Boom™ design allows operators to be comfortable, confident and productive.

Easy operation

- Self-neutralizing steering controls; standard low-effort controls (L180, L185, and L190)
- Responsive foot controls with adjustable pedal position
- Push-button parking brake
- A user-friendly digital instrument panel alerts you to potential trouble with both visible and audible alarms
- Optional Advanced Instrument Panel provides additional diagnostic tools, fault indicators, engine shut-down protection and security code lockout.



Optional pilot controls (L170 through L190)

- Low-effort joysticks provide instant response with minimum movement, resulting in precise control and less fatigue
- The left joystick controls steering and machine travel (forward and reverse)
- The right joystick provides full control of the lift arm and attachment tilt. Press front or back to raise and lower the lift arm. Move the joystick right and left to dump or curl the bucket or attachment
- The hand throttle is conveniently located to your right, allowing you to simultaneously drive with the left stick, while adjusting engine speed with your right hand
- Long, contoured, adjustable armrests provide superior forearm support

Plenty of comfort

- A comfortable, contoured suspension seat is standard equipment (L160 through L190)
- Ample leg room and foot room add to your operating comfort
- Add the cab enclosure with optional air conditioning (L175 through L190) to stay cool on the warmest days



Superior visibility

You get a better view in all directions with a New Holland skid steer. Visibility to the rear is outstanding due to the large rear window, low engine hood and no rear frame towers to block your view. Looking forward, the low boom cross member lets you see the cutting edge of the bucket when the boom is down. Metal screens on each side provide protection and excellent side visibility.





Adjustable armrests and suspension seat allow operators to find a comfortable working position.



Ergonomically designed control handles improve functionality and reduce hand fatigue.

All major service points are easy to reach. Less maintenance time increases your bottom line.

The entire cab and boom assembly lift forward and up for full access to the engine or transmission.

Add a Hydraulic Mount Plate (HMP) and you can easily attach or remove buckets and attachments.



Multi-task master

New Holland skid steers do a lot more than lift and load. Take a look at the wide array of attachments and you'll quickly see how the versatility of these machines can make you more productive. These are just some of the available attachments . . .

- 4-in-1 Buckets
- Auto Rakes
- Backhoes
- Bale Handlers and Spear
- Box Rakes
- Brooms
- Chippers
- Cold Planers
- Concrete Chuters
- Concrete Claw
- Dozer Blades
- Earth Augers
- Grader Rakes
- Grapples
- Lift Boom
- Pallet Forks
- Post Drivers
- Rock Buckets
- Rock Wheels
- Rotary Mowers
- Silage Defacer
- Silt Fence Installer
- Snow Blades, Blowers and Push
- Soil Preparators
- Stump Grinder
- Tree Spades
- Trenchers
- Vibratory Roller



FAST MAINTENANCE AND ATTACHMENT CHANGES

Whatever you need to do—dig, lift, hammer, trench, plane, mow, sweep, rake or drill—there's a New Holland attachment that will get the job done.

More attachments, more versatility

- Pick Up 'N Go™ universal attaching system lets you hook up to over 60 New Holland attachments and many competitive-brand attachments
- The optional hydraulic mount plate (on the L160 through L190) allows you to swap out attachments without leaving your seat
- A long list of other options and dealer-installed accessories are available, including cab enclosure, a heater/defroster kit, auxiliary hydraulics, load monitor, three-point hitch adapter and more.

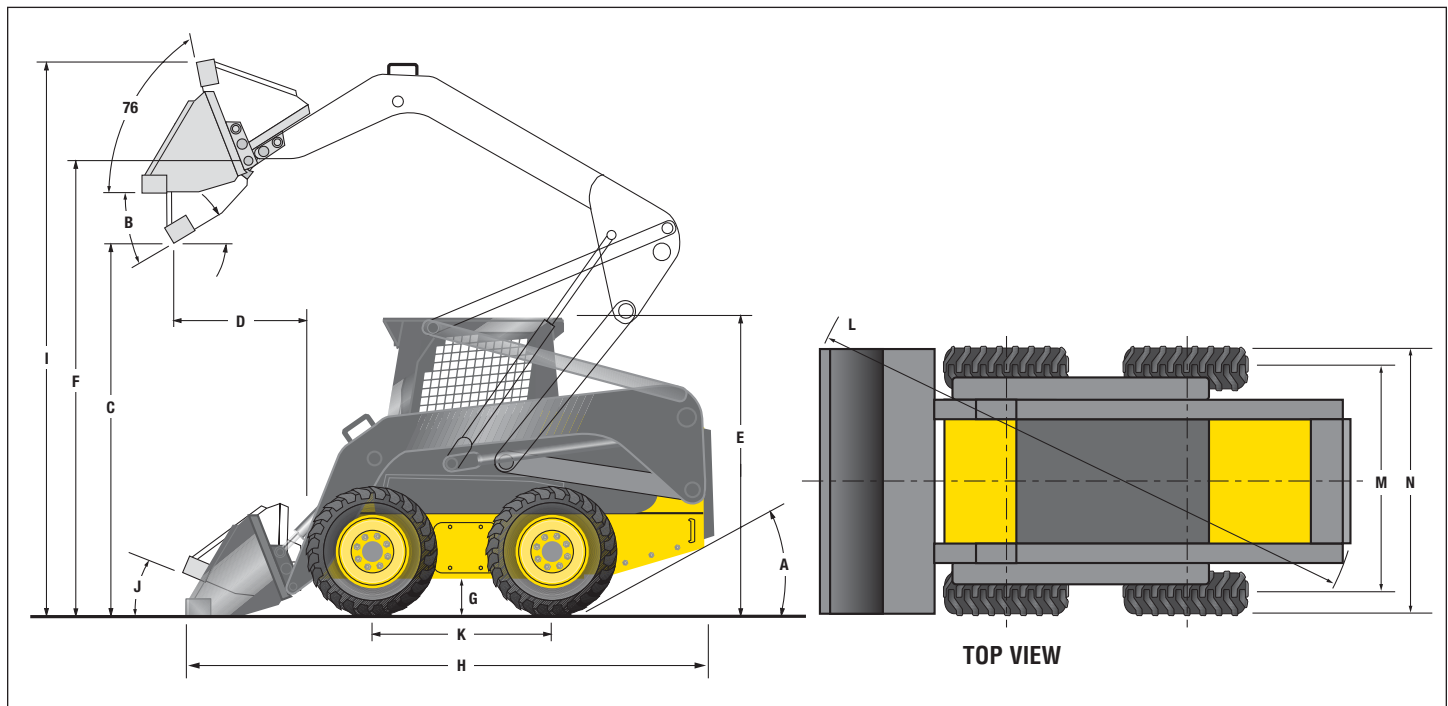
Time-saving maintenance

- You can access all major service points easily, even with the boom down
- The seat flips up without tools, to provide easy access to the hydraulic pumps and drivetrain components
- The entire boom and cab assembly lift up and forward if more complete access is needed

Long service intervals

- You spend more time on the job and less time in the shop for routine maintenance
- Standard lubrication interval every 50 hours
- Engine oil and filter every 300 hours
- Hydraulic system and filter every 600 hours

Specifications



DIMENSIONS

	L150	L160	L170	L175	L180	L185	L190
A. Angle of departure	25°	23°	23°	25°	28.4°	28.4°	27°
B. Dump angle (maximum)	45°	45°	45°	43°	45°	45°	45.3°
C. Dump height (SAE)	87.9" (222 cm)	92.1" (234 cm)	92.1" (234 cm)	95.4" (242 cm)	100" (255 cm)	100" (255 cm)	102" (259 cm)
D. Dump reach @ maximum height (SAE)	25" (64 cm)	29" (74 cm)	29" (74 cm)	29" (74 cm)	32.5" (83 cm)	32.5" (83 cm)	32.3" (81.3 cm)
E. Height	73.4" (186 cm)	74.8" (190 cm)	74.8" (190 cm)	76" (193 cm)	77" (196 cm)	77" (196 cm)	79.6" (202.1 cm)
F. Height to hinge pin	114.3" (290 cm)	115.5" (293 cm)	115.5" (293 cm)	119.7" (304 cm)	124.6" (316 cm)	124.6" (316 cm)	125.6" (319 cm)
G. Ground clearance	8.25" (21 cm)	7.4" (19 cm)	7.4" (19 cm)	8.4" (21 cm)	8" (20 cm)	8" (20 cm)	10.1" (25.7 cm)
H. Length with bucket	120" (304 cm)	125" (318 cm)	125" (318 cm)	129.5" (329 cm)	139" (352 cm)	139" (352 cm)	145.7" (370.1 cm)
I. Operating height (maximum)	140" (356 cm)	140" (356 cm)	140" (356 cm)	146" (372 cm)	151" (384 cm)	151" (384 cm)	153" (388.5 cm)
J. Rollback angle (at carry position)	36°	37°	37°	37°	37°	37°	37°
K. Wheelbase	37.5" (95 cm)	42.5" (108 cm)	42.5" (108 cm)	42.5" (108 cm)	48" (122 cm)	48" (122 cm)	51.5" (131 cm)
L. Circle clearance	127" (322 cm)	134" (340 cm)	134" (340 cm)	140" (356 cm)	151" (384 cm)	151" (384 cm)	158" (410 cm)
M. Wheel tread	47.75" (121 cm) w/10" x 16.5" tires	55" (140 cm) w/10" x 16.5" tires	55" (140 cm) w/10" x 16.5" tires	58.6" (149 cm) w/12" x 16.5" tires	58.5" (149 cm) w/12" x 16.5" tires	58.5" (149 cm) w/12" x 16.5" tires	62.2" (158 cm) w/14" x 17.5" tires
N. Width	60" (125 cm)	65.6" (167 cm)	65.6" (167 cm)	70.8" (180 cm) w/12" x 16.5" tires	71.25" (181 cm)	71.25" (181 cm)	71.25" (181 cm) w/12" x 16.5" tires 76.4" (194 cm) w/14" x 17.5" tires

CAPACITIES

	L150	L160	L170	L175	L180	L185	L190
Chain cases (*includes gearbox)	1.5 gal (5.7 L)	3.25 gal (12.3 L)		1.5 gal (5.7 L)	2.7 gal (10.2 L)		3 gal (11.3 L)
Cooling system	9.8 qt (9.3 L)	10.8 qt (10.2 L)		4.5 gal (17 L)	4.5 gal (17 L)		4.5 gal (17.0 L)
Engine crankcase (w/filter)	5.8 qt (5.5 L)	6.9 qt (6.5 L)		8.4 gal (8.0 L)	2.13 gal (8.0 L)		3.2 gal (12 L)
Fuel tank	8.75 gal (33.1 L)	14.4 gal (54.5 L)		14.4 gal (54.5 L)	18 gal (68.1 L)		21.5 gal (81.4 L)
Hydraulic oil system	5 gal (18.9 L)	8.6 gal (32.6 L)		8.6 gal (32.6 L)	15.0 gal (56.8 L)		15.0 gal (56.8 L)

L150 – Equipped with 60" 11.5 cu. ft. dirt and foundry bucket and 10.00 x 16.5 tires
L160 – Equipped with 60" 11.5 cu. ft. low profile bucket and 10.00 x 16.5 tires
L170 – Equipped with 66" 15.2 cu. ft. dirt and foundry bucket and 10.00 x 16.5 tires
L175 – Equipped with 72" 17.1 cu. ft. low profile bucket and 12.00 x 16.5 tires

L180 – Equipped with 72" 17.1 cu. ft. low profile bucket and 12.00 x 16.5 tires
L185 – Equipped with 72" 16.7 cu. ft. dirt and foundry bucket and 12.00 x 16.5 tires
L190 – Equipped with 78" 25.8 cu. ft. dirt and foundry bucket and 14.00 x 17.5 tires

Specifications

BUCKETS										
	L150	L160	L170	L175	L180	L185	L190	SAE Heaped Capacity	SAE Struck Capacity	Weight
54" (137 cm) Dirt/Foundry	X							10.2 ft³ (.28 m³)	7.8 ft³ (.21 m³)	250 lb (113 kg)
60" (152 cm) Dirt/Foundry	X	X	X					11.5 ft³ (.31 m³)	8.7 ft³ (.24 m³)	270 lb (122 kg)
66" (167 cm) Dirt/Foundry		X	X	X	X	X		15.2 ft³ (.41 m³)	11.6 ft³ (.31 m³)	370 lb (168 kg)
72" (183 cm) Dirt/Foundry		X	X	X	X	X	X	16.7 ft³ (.45 m³)	12.7 ft³ (.34 m³)	390 lb (177 kg)
78" (198 cm) Dirt/Foundry					X	X	X	21.9 ft³ (.62 m³)	18.0 ft³ (.51 m³)	453 lb (205 kg)
54" (137 cm) Low Profile	X							10.3 ft³ (.28 m³)	8.0 ft³ (.22 m³)	305 lb (138 kg)
60" (152 cm) Low Profile	X	X	X					11.5 ft³ (.31 m³)	8.9 ft³ (.24 m³)	330 lb (150 kg)
60" (152 cm) Low Profile (extended)	X	X	X					14.3 ft³ (.40 m³)	10.3 ft³ (.29 m³)	360 lb (163 kg)
66" (167 cm) Low Profile (extended)		X	X	X	X	X		15.5 ft³ (.42 m³)	11.2 ft³ (.32 m³)	434 lb (197 kg)
72" (183 cm) Low Profile (extended)		X	X	X	X	X	X	17.1 ft³ (.48 m³)	12.2 ft³ (.35 m³)	477 lb (216 kg)
78" (198 cm) Low Profile (extended)					X	X	X	17.0 ft³ (.48 m³)	12.3 ft³ (.34 m³)	449 lb (204 kg)
84" (213 cm) Low Profile (extended)					X	X	X	18.6 ft³ (.52 m³)	13.2 ft³ (.37 m³)	502 lb (227 kg)
60" (152 cm) Utility/Light Material	X	X	X					19.7 ft³ (.54 m³)	15.9 ft³ (.43 m³)	350 lb (159 kg)
72" (183 cm) Utility/Light Material		X	X	X	X	X	X	23.7 ft³ (.65 m³)	19.0 ft³ (.52 m³)	435 lb (197 kg)
84" (213 cm) Utility/Light Material		X	X	X	X	X	X	27.9 ft³ (.79 m³)	22.3 ft³ (.64 m³)	500 lb (227 kg)
60" (152 cm) Manure/Fertilizer	X	X	X					16.7 ft³ (.45 m³)	12.9 ft³ (.35 m³)	340 lb (154 kg)
72" (183 cm) Manure/Fertilizer		X	X	X	X	X	X	19.1 ft³ (.52 m³)	15.5 ft³ (.42 m³)	465 lb (211 kg)
84" (213 cm) Manure/Fertilizer					X	X	X	822.5 ft³ (.64 m³)	18.2 ft³ (.52 m³)	540 lb (245 kg)

PERFORMANCE							
	L150	L160	L170	L175	L180	L185	L190
ANGLES:							
Max. bucket dump angle at full height	45°	46°			45°		
Max. rollback @ ground	36°			37°			
BREAKOUT FORCE:							
SAE Bucket breakout force	3,500 lb (1591 kg)	3,712 lb (1687 kg)	3,712 lb (1687 kg)	4,312 lb (1956 kg)	6,034 lb (2737 kg)	7,670 lb (3479 kg)	7,670 lb (3479 kg)
SAE Boom breakout force	2,400 lb (1089 kg)	2,828 lb (1285 kg)	2,828 lb (1285 kg)	3,003 lb (1362 kg)	4,194 lb (1902 kg)	4,836 lb (2194 kg)	6,229 lb (2825 kg)
CYCLE TIMES:							
Raising time	3.3 sec	3.0 sec	2.7 sec	3.1 sec	3.0 sec	3.0 sec	3.2 sec
Dumping time	1.0 sec	2.0 sec	1.7 sec	2.3 sec	2.2 sec	2.2 sec	2.3 sec
Lowering time	1.9 sec	3.0 sec	2.3 sec	2.1 sec	2.9 sec	2.9 sec	4.3 sec
Retract time	1.6 sec	1.7 sec	1.5 sec	1.5 sec	1.7 sec	1.7 sec	1.7 sec
Total boom-cycle time	7.8 sec	9.7 sec	8.2 sec	—	9.8 sec	9.8 sec	11.5 sec
DUMP REACH:							
SAE @ 45°	25.3" (64.3 cm)	28" (71.1 cm)		29" (74 cm)	31.5" (80 cm)		32.3" (81.9 cm)
GROUND SPEED MAX.:							
Low range	7.3 mph (11.8 km/h)			5.9 mph (9.5 km/h)	6.9 mph (11.1 km/h)		7.0 mph (11.2 km/h)
High range	NA			10 mph (16.1 km/h)	11.3 mph (18.1 km/h)		11.4 mph (18.3 km/h)
OPERATING LOAD:							
SAE	1,350 lb (612 kg)	1,600 lb (726 kg)	1,765 lb (801 kg)	2,000 lb (907 kg)	2,200 lb (998 kg)	2,500 lb (1134 kg)	2,800 lb (1270 kg)
OPERATING WEIGHT:							
SAE*	4,500 lb (2042 kg)	5,534 lb (2510 kg)	5,540 lb (2513 kg)	6,230 lb (2826 kg)	7,095 lb (3218 kg)	7,100 lb (3220 kg)	7,755 lb (3518 kg)
TIPPING LOAD:							
Without weights per SAE J-732	2,700 lb (1225 kg)	3,200 lb (1451 kg)	3,530 lb (1601 kg)	4,000 lb (1814 kg)	4,400 lb (1996 kg)	5,000 lb (2268 kg)	5,600 lb (2450 kg)

*Base unit plus full fuel tank, 165 lb (75 kg) operator

Specifications

POWER TRAIN							
	L150	L160	L170	L175	L180	L185	L190
Axle diameter	1.75" (4.4 cm)	2" (5.08 cm)			2.44" (61.9 cm)		
Chain size	50/80 HD	80 HD			100 HD		
Final drive	double reduction, chain/chain drive			chain drive			
FORWARD AND REVERSE SPEEDS:							
Low range	0–7.3 mph (0–11.8 km/h)		0–5.9 mph (0–9.5 km/h)		0–6.9 mph (0–11.1 km/h)		0–7.0 mph (0–11.2 km/h)
High range	NA		0–10 mph (0–16.1 km/h)		0–11.3 mph (0–18.2 km/h)		0–11.4 mph (0–18.3 km/h)
HYDROSTATIC TRANSMISSIONS:							
Fixed displacement axial piston motor	2.48 in ³ (40.6 cc)	5.04 in ³ (82.6 cc)		NA			
Hydrostatic transmission pumps variable displacement axial piston	1.31 in ³ (21.5 cc)	2.48 in ³ (40.6 cc)		2.48 in ³ (496 cc) 1 spd 1.60 in ³ (26.2 cc) 2 spd	0–2.8 in ³ (0–46 cc) servo-controlled		
Radial piston motor							
Low range	NA		24.4 in ³ (400 cc) 1 spd 17.9 in ³ (180 cc) 2 spd		28.7 in ³ (470 cc)		
High range	NA		10.1 in ³ (165 cc)		17.2 in ³ (282 cc)		
Wheel torque	3,000 lb-ft (4070 N•m)	3,918 lb-ft (5313 N•m)		4,193 lb-ft (5685 N•m)		6,354 lb-ft (8614 N•m)	

ELECTRICAL							
	L150	L160	L170	175	L180	L185	L190
Alternator	40 amp			55 amp	95 amp, solid-state rectifier and regulator		
Battery	12-volt 650 CCA @ 0°F (-18°C) maintenance free				12-volt 925 CCA @ 0°F (-18°C) maintenance free		
System protection	15 amp fuse				30 amp circuit breaker		

INSTRUMENTS: Hour meter, voltage alarm, hydraulic oil temperature light and alarm, coolant temperature light and alarm, fuel gauge, transmission charge, pressure light and alarm, engine oil pressure light and alarm, seat belt light, air cleaner restriction light and alarm, transmission filter restriction light and alarm, parking brake reminder light

ENGINE							
	L150	L160	L170	L175	L180	L185	L190
Manufacturer	New Holland						
Model number	N843H	N844	N844T	N844LT	334M2	334TM2	445M2
Air cleaner	Dual stage, dry element filter						
Bore and stroke	3.3" x 3.54" (84 mm x 90 cm)			3.3" x 3.9" (84 mm x 100 mm)	4.1" x 5.2" (104 mm x 132 mm)		
Number of cylinders	3	4		4	3		4
Displacement	91 in ³ (1498 cc)	121.7 in ³ (1955 cc)		135 in ³ (220 cc)	204 in ³ (3.4 L)		274 in ³ (4.5 L)
Fuel	Diesel						
HORSEPOWER:							
Gross	38 hp (28.4 kW)	46 hp (34 kW)	52 hp (39 kW)	60 hp (45 kW)	63 hp (47 kW)	78 hp (58 kW)	80 hp (60 kW)
SAE net	36 hp (26.9 kW)	44 hp (33 kW)	50 hp (37 kW)	56 hp (42 kW)	59 hp (44 kW)	72 hp (54 kW)	74 hp (55 kW)
SPEEDS:							
Fast, no load	3,420–3,500 rpm	3,130–3,180 rpm			2,450–2,550 rpm		2,430–2,530 rpm
Idle, no load	950–1,050 rpm	900–1,000 rpm		1,100–1,200 rpm	1,250–1,350 rpm		1,000–1,100 rpm
Peak torque @ 1700 RPM	73 lb-ft (99 N•m)	101 lb-ft (137 N•m)	113 lb-ft (153 N•m)	128 lb-ft (173 N•m)	—	—	—
Peak torque @ 1400 RPM	—	—	—	—	179 lb-ft (242 N•m)	228 lb-ft (319 N•m)	236 lb-ft (320 N•m)
Torque rise	17%	20%	20%	20%	21%	29%	28%

Specifications

HYDRAULICS							
	L150	L160	L170	L175	L180	L185	L190
BOOM CYLINDERS:							
Make	New Holland double acting						
Bore and stroke	2.5" x 16.13" (6.35 x 41 cm)	2.5" x 18.5" (6.35 x 47 cm)	2.5" x 21.25" (6.35 x 54 cm)	2.5" x 24.06" (6.35 x 61 cm)	2.5" x 24.06" (6.35 x 61 cm)	2.75" x 24.06" (7 x 61 cm)	
Rod size	1.38" (3.5 cm)	1.38" (3.5 cm)		1.5" (3.81 cm)		1.25" (3.2 cm)	
BUCKET CYLINDERS:							
Make	New Holland double acting						
Bore and stroke	1.88" x 18.12" (4.8 x 46.0 cm)	2.25" x 17.88" (5.7 x 45.4 cm)		2.5" x 17.6" (6.35 x 44.7 cm)			
Rod size	1.125" (2.8 cm)	1.25" (3.2 cm)					
Control valve	3-spool open center						
Filtration	4-micron, spin-on filter			6-micron, spin-on filter			
Hydraulic pump	Gear type 11.6 gpm	Gear type 15.1 gpm	Gear type 17.2 gpm	Gear type 17.2 gpm	Gear type 19.3 gpm		Gear type 21.9 gpm
High flow hydraulics (if equipped)	NA		30.3 gpm	30.3 gpm	34.7 gpm		37.3 gpm
Oil reservoir	1.5 gal (5.7 L)	3.9 gal (14.8 L)		8.6 gal (32.6 L)		5 gal (18.9 L)	
Relief pressure setting	2,500 psi			2,500–2,600 psi		3,050 psi (210 bar)	



L170 with 12.00 x 16.5 tires

L150 L160 L170 L175 Base and Optional Equipment

BASE EQUIPMENT	
ENGINE	Transmission filter restriction light and alarm
Block heater	Parking brake reminder light
Dual stage, dry element air filter	LIGHTING
Indirect injection diesel	Worklights: two front halogen, one rear halogen
Timed glow plug	SERVICE
HYDRAULICS	Boom and cab tilting feature
New Holland double-acting boom cylinders	50-hour lube interval
New Holland double-acting bucket cylinder	Lift-up seat pan (no tools required)
Spin-on filter, 4 micron	Low-mounted fuel fill
Three-spool, open-center control valve	Radiator moves for cleaning access
TRANSMISSION	Rear engine door/top engine cover
Variable displacement axial piston pumps, axial piston motors	Removable side engine panels (no tools required)
Variable displacement axial piston pumps, radial piston motors (L175)	SAFETY
ELECTRICAL	Back-up alarm
12-volt system	Horn
Alternator, 40 amp	Manual, in-cab boom lockouts
Alternator, 55 amp (L175)	Seatbelt interlock
Single battery, 625 CCA	Spring Applied Hydraulic Released (SAHR) brake
Single battery, 650 CCA (L175)	VANDAL PROTECTION
Fuse circuit protectors	Enclosed fuel cap
Hour meter	Enclosed hydraulic fill
Voltage alarm	Lockable rear door, engine cover and side panels
Hydraulic oil temperature light and alarm	ACCESSORIES
Coolant temperature light and alarm	Boom hydraulics with flat-face couplers
Fuel gauge	Cab headliner
Transmission charge pressure light and alarm	Engine cold start
Engine oil pressure light and alarm	Suspension seat (L160, L170 & L175)
Seat belt light	
Air cleaner restriction light and alarm	

OPTIONAL EQUIPMENT	
LIGHTING	FORKS/GRAPPLES
Four-way flashers/warning lights	Pallet forks
Turn signals	Utility forks
TIRES	Utility grapple
See your dealer for approved tire options	See your dealer for approved attachments
ACCESSORIES	
12-volt accessory power plug	
Air conditioning (L175)	
Armrests	
Bucket spill guard (low-profile buckets only)	
Bucket tooth kit (low-profile, dirt & foundry only)	
Cab jack kit	
Cab enclosure	
Cab side window kit	
Catalytic muffler (L160, L170)	
Advanced instrument panel	
Demolition door	
Fire extinguisher bracket kit	
Floor cover plates (L150, L160)	
Hand controls	
Heater/defroster	
High flow hydraulics (L170)	
Hydraulic mount plate (L160, L170)	
Precleaner/aspirator (L160, L170)	
Rearview mirror	
Three-inch seatbelt	
Shoulder belt	
SMV signs	
Top window	
Two-speed (L175)	
Warning beacon	
Weight kit	



L180 L185 L190 Base and Optional Equipment

BASE EQUIPMENT		OPTIONAL EQUIPMENT	
<p>ENGINE Dual stage, dry element air filter Indirect injection diesel</p> <p>HYDRAULICS New Holland double-acting boom cylinders New Holland double-acting bucket cylinder Spin-on filter, 6 micron Three-spool, open-center control valve</p> <p>TRANSMISSION Variable displacement axial piston pumps, radial piston motors</p> <p>ELECTRICAL 12-volt system Alternator, 95 amp Single battery, 925 CCA 30-amp circuit breaker Hour meter Voltage alarm Hydraulic oil temperature light and alarm Coolant temperature light and alarm Fuel gauge Transmission charge pressure light and alarm Engine oil pressure light and alarm Seat belt light Air cleaner restriction light and alarm Transmission filter restriction light and alarm Parking brake reminder light</p>	<p>LIGHTING Worklights: two front halogen, one rear halogen</p> <p>SERVICE Boom and cab tilting feature 50-hour lube interval Lift-up seat pan (no tools required) Low-mounted fuel fill Radiator moves for cleaning access Rear engine door/top engine cover Removable side engine panels (no tools required)</p> <p>SAFETY Back-up alarm Horn Manual, in-cab boom lockouts Seatbelt interlock Spring Applied Hydraulic Released (SAHR) brake</p> <p>VANDAL PROTECTION Enclosed fuel cap Enclosed hydraulic fill Lockable rear door, engine cover and side panels</p> <p>ACCESSORIES Boom hydraulics with flat-face couplers Cab headliner Suspension seat</p>	<p>LIGHTING Four-way flashers/warning lights Turn signals</p> <p>TIRES See your dealer for approved tire options</p> <p>ACCESSORIES 12-volt accessory power plug Air conditioning Armrests Block heater Bucket spill guard (low profile buckets only) Bucket tooth kit (low profile, dirt & foundry only) Cab jack kit Cab enclosure Cab side window kit Advanced instrument panel Demolition door Engine cold start Fire extinguisher bracket kit Floor cover plates Hand controls Heater/defroster High flow hydraulics Hydraulic mount plate Precleaner/aspirator Rearview mirror Three-inch seatbelt Shoulder belt SMV signs Top window Two-speed Warning beacon Weight kit</p>	<p>FORKS/GRAPPLES Pallet forks Utility forks Utility grapple See your dealer for approved attachments</p>



SUPER BOOM™ SKID STEER LOADERS

L150

Horsepower
Gross 38 hp (28.4 kW)

Operating weight
4,500 lbs (2042 kg)

Rated operating capacity
1,350 lbs (612 kg)

L160

Horsepower
Gross 46 hp (34.3 kW)

Operating weight
5,534 lbs (2510 kg)

Rated operating capacity
1,600 lbs (726 kg)

L170

Horsepower
Gross 52 hp (39.3 kW)

Operating weight
5,540 lbs (2513 kg)

Rated operating capacity
1,765 lbs (801 kg)

L175

Horsepower
Gross 60 hp (45 kW)

Operating weight
6,230 lbs (2826 kg)

Rated operating capacity
2,000 lbs (907 kg)

L180

Horsepower
Gross 63 hp (46.9 kW)

Operating weight
7,095 lbs (3218 kg)

Rated operating capacity
2,200 lbs (998 kg)

L185

Horsepower
Gross 78 hp (58.1 kW)

Operating weight
7,100 lbs (3220 kg)

Rated operating capacity
2,500 lbs (1134 kg)

L190

Horsepower
Gross 80 hp (60 kW)

Operating weight
7,755 lbs (3518 kg)

Rated operating capacity
2,800 lbs (1270 kg)



New Holland Construction Equipment Dealers are committed to your success

Your New Holland construction equipment dealer can match you with the best equipment for your operation. Your productivity is their goal and your profitability is their priority.

Providing dependable, efficient construction equipment is only the beginning. Your dealer can also make it easier to put New Holland construction equipment to work on your job site by tailoring low-rate financing, lease programs and insurance plans to meet your needs.

After the sale your dealer provides peace of mind with expert parts and service support. Factory-trained technicians will service your equipment promptly and maintain your investment.

Visit your New Holland construction equipment dealer and see for yourself why New Holland is a rapidly growing force in the construction equipment industry.



New Holland construction equipment is backed with a **1-Year Unlimited-Hour Standard Warranty***

Visit our website at www.newholland.com Or, call toll-free: 1-866-726-3396

 **NEW HOLLAND**

*Mid-size and full-size excavators feature 1-year/2,000 hour standard warranties.

Design, materials and/or specifications are subject to change without notice and without liability therefor. Specifications are applicable to units sold in Canada, the United States, its territories and possessions, and may vary outside these areas.

© 2006 CNH America LLC
New Holland is a trademark of CNH America LLC.



Safety begins with a thorough understanding of the equipment. Always make sure you and your operators read the Operator's Manual before using the equipment. Pay close attention to all safety and operating decals and never operate machinery without all shields, protective devices and structures in place.

Stock #NHC9180603 • 110630 • API • PRINTED IN U.S.A.

www.newholland.com

Courtesy of MachineMarket