

New Holland Skid Steers

LS120 LS125 LS140 LS150 LS160 LS170
LS180.B LS185.B LS190.B



Reach farther. Lift more. Do it faster.

There's no limit to your productivity with a New Holland skid steer.

Operate a New Holland skid steer and you'll discover a new way to work: without limits. You'll complete dozens of jobs—from loading and stacking to digging and blowing snow. And, thanks to the Super Boom™ design, you'll complete tasks more effectively than you could with other skid steers.

Choose from seven Super Boom™ models ...

The seven larger skid steers in the New Holland lineup are Super Boom™

models. Equipped with the patented Super Boom™ vertical lift linkage, these skid steers are unequaled when it comes to dump height and reach. Simply stated, the higher they lift, the farther they reach. Their performance beats competitive-brand skid steers with superior visibility, more lift capacity, better stability and better dump height and reach.

... and two compact models

If your work takes you into extremely confined areas, consider the compact, economical Model LS120 or LS125 with 600- and 700-pound (272- and 316-kg) operating loads. Both models feature traditional radial boom design.

Super Boom™ models

LS140, LS150, LS160, LS170, LS185.B,
LS180.B, LS190.B

	PAGES
Operator platform	4 - 5
Engine and drive line	6 - 7
Attachments and options	8 - 9
Specifications	10 - 13

LS120, LS125

Features and specifications	14 - 15
-----------------------------	---------



The rock-solid stability of Super Boom skid steers allows you to carry heavier loads and travel where other machines can't.



The Super Boom™ Advantage

Unmatched dump height and reach

The patented Super Boom™ vertical linkage lifts the load up and away, so you can place loads exactly where you want them. The New Holland design also helps keep the bucket level for less spillback.



The Super Boom™ design lifts the load up and away for maximum reach at maximum height.



Rock-solid stability

New Holland skid steers feature a longer wheelbase, a lower center of gravity and better weight distribution compared to other machines. The result: remarkable stability that gives you a more safe and stable ride than competitive model skid steers. You can lift heavier loads and go places other skid steers can't—like climb steep hills with an empty bucket, and go down with a full one.

More lift capacity

When you combine the superior Super Boom stability and unique boom geometry, you get more lift capacity per pound of total machine weight. That means that Super Booms boost your productivity and outlift many heavier competitive machines.

Reach farther. Lift more. Do it faster.

Save time and improve your productivity. Visit your New Holland dealer to see New Holland skid steer benefits firsthand.



The longer Super Boom™ wheelbase and low center of gravity gives you a smooth, stable ride over uneven terrain.

Super Boom™ models (equipped with Super Boom™ lift linkage)

Models	Max SAE Net hp (kW) (diesel engine)	SAE Operating Load lbs. (kg)	SAE Operating Weight lbs. (kg)
LS140	30 (22)	1250 (567)	4395 (1994)
LS150	36 (27)	1350 (612)	4500 (2041)
LS160	44 (33)	1600 (726)	5534 (2510)
LS170	50 (37)	1750 (794)	5540 (2513)
LS180.B	59 (44)	2200 (998)	7100 (3220)
LS185.B	72 (54)	2500 (1134)	7300 (3311)
LS190.B	74 (55)	2800 (1270)	7860 (3565)

LS120 and LS125 models (equipped with traditional rear-mounted lift linkage)

Models	Max SAE Net hp (kW)	SAE Operating Load lbs. (kg)	SAE Operating Weight lbs. (kg)
LS120 (gas)	14.5 (11)	600 (272)	2050 (930)
LS125 (diesel)	15.5 (12)	700 (318)	2185 (991)

The smoothest ride and the best view

The Super Boom™ operator platform makes hard work easy.

The large Super Boom™ operator platform gives you all-day comfort, convenient controls and an outstanding view that leads to increased productivity.

Superior visibility

Part of New Holland's winning design is best-in-class visibility no matter where you look—to the front, rear, or either side. The boom's low front cross member provides an unobstructed view to the bucket's cutting edge. Metal side screens on the ROPS structure deliver excellent visibility to each side, while providing an added measure of operator protection. Visibility to the rear is outstanding since there are no frame towers in your way. The large rear window and low, sloping engine hood also contribute to the best rearward sight lines on the market.

The smoothest ride in the business

New Holland skid steers deliver the best ride on the market. This smooth ride is a result of the outstanding stability of the Super Boom design and long wheelbase. The contoured New Holland seat provides comfort and support even while traveling over the roughest terrain. A standard suspension seat on Models LS160 through LS190.B provides even greater ride smoothness. Ample legroom and foot room add to your operating comfort, and



With a Super Boom skid steer, there are no rear frame towers to block your view.

strategically placed grab handles and steps make it easy and safe to enter and exit, even with forks on.

Easy operation

Low-effort, self-neutralizing hand controls and responsive foot controls with adjustable pedal position make Super Boom skid steers easy to use. The state-of-the-art electronic instrument control (EIC) panel is located directly in front of you. It constantly monitors all operating systems and alerts you to potential trouble with both visible and audible alarms.



An easy-to-read instrument panel keeps you informed at a glance.

Standard equipment includes a back-up alarm, horn and turn signals.

The speed to match your needs

New Holland skid steers feature fast ground speeds to reduce cycle times. An optional dual-range transmission (LS180.B – LS190.B) delivers travel speeds over 11 mph to save time on and between job sites.

Customize your comfort

A host of accessories and options allows you to “custom-build” a Super Boom operator station that matches your needs. Choose from a full cab enclosure kit, window kits, heater/ defroster kit, hand controls kit, and more. You can even add air conditioning to the three largest models—the LS180.B, LS185.B and LS190.B.

LS180.B, LS185.B and LS190.B skid steers are available with optional cab enclosure and air conditioning to stay cool and refreshed while working on hot, summer days.





Proven power that's easy to maintain

Reliable engines and drivelines thrive on demanding conditions.

New Holland skid steers give you the power and response to handle the toughest jobs on the farm as well as demanding tasks in construction, landscaping, and demolition.

Dependable power

Proven New Holland engines deliver outstanding torque rise and horsepower. These clean-burning, low-emission engines use direct fuel injection to provide quiet operation, excellent fuel economy and reduced exhaust emissions.

Efficient and logical design

The engines in all Super Boom™ skid steer models sit in a North-South orientation with hydraulic pumps that connect directly to the engine through a mechanical coupler. This greatly improves reliability and reduces maintenance because there are no drive belts to adjust. Even the radiator fan works better on New Holland skid steers. Air is pushed OUT of the radiator (unlike some competitive machines which pull air in) to reduce the chance of radiator plugging in extremely dirty, dusty conditions.

Rugged construction

Beefy New Holland booms and frames are built strong so they can handle bigger loads. And, the loader boom pivot pins are twice the diameter of many competitive machines for more strength and durability, and feature a 50-hour greasing interval.

Responsive hydraulics

The reliable hydraulics and electrical system are engineered to

withstand severe applications on the job. Auxiliary boom hydraulics are standard on all Super Boom models and are conveniently controlled by a handle on the right-hand control lever. Continuous-duty high-flow hydraulics available on the LS170, LS180.B, LS185.B and LS190.B provide extra hydraulic power for a wide range of attachments.

Long service intervals

Take a look at these long service intervals, and you'll quickly see why owning and operating a Super Boom skid steer means you spend more time on the job and less time in the shop for routine maintenance.



Time-saving maintenance

Routine servicing takes no time on a New Holland skid steer. You can reach all major service points without hassles—even with the boom down. Flip up the seat and you have access to hydraulic pumps and drive train components. And, if major repairs are ever necessary, the entire boom and cab assembly lifts up and tilts forward for unobstructed engine and transmission access.

Standard lubrication interval
every 50 hours

Engine oil and oil filter
every 300 hours

Hydraulic system and filter
every 600 hours



The entire LS cab and boom assembly lift forward and up for full access to the engine or transmission.

A new level of Super Boom™ performance.

The LS180.B, LS185.B and LS190.B

The new LS180.B, LS185.B and LS190.B take Super Boom performance and your productivity to a new level. These skid steer loaders deliver 59, 72 and 74 net horsepower respectively and offer these new, high-performance features:



- A higher-capacity radiator keeps the engine cool, even when operating in challenging conditions and hot temperatures.
- A simplified power train uses in-line hydrostatic pumps for improved power and efficiency, and lower noise levels.
- Spring-applied, hydraulic-released (SAHR) brakes provide reliable parking with the push of a button—even on slopes—and automatically engage the instant the engine is shut down for added safety.
- Simplified instrument panel is easy to read and alerts you with both visible and audible alarms.



It's simple to reach all major service points—even with the boom down.



A new higher cooling capacity radiator improves engine cooling during extended operation and in high temperatures.

Multi-task master

Hard-working attachments expand the versatility of your New Holland skid steer.

New Holland Super Boom™ skid steers do a lot more than lift and load. Take a look at the wide array of attachments and accessories, and you'll quickly see how the versatility of these machines can make you more productive.

60+ attachments

No matter what the job, your New Holland dealer has a LoadStar attachment to get it done right. With over 60 high-productivity attachments available, and more being added all the time, your New Holland dealer can help you dig, lift, hammer, trench, sweep, rake or drill.

A perfect fit

Every attachment has been thoroughly tested and approved by New Holland engineers for use with Super Boom™ skid steers. You get the peace of mind knowing your skid steer and attachments will perform flawlessly together to meet demanding conditions.



Pick Up 'n Go™ system

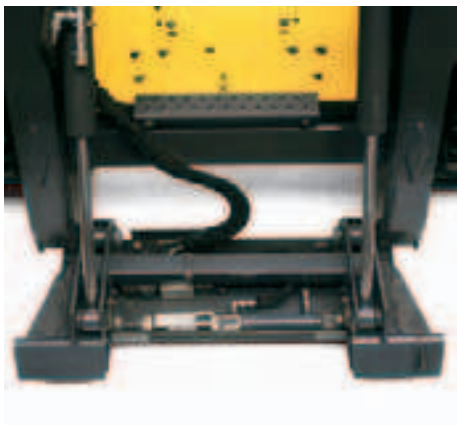
The New Holland Pick Up 'n Go™ universal attachment system makes it quick and easy to hook up to New Holland attachments as well as most competitive-brand attachments.

Added hydraulic convenience

Add the optional hydraulic mount plate and you can easily engage and disengage the attachment locking levers without leaving your seat. Just roll the bucket back, press the rocker switch located in the operator compartment, and the latch pins engage or disengage hydraulically.

Options and accessories

Select from a variety of tire options to match your working conditions—general-purpose, heavy-duty and specialty application tires. And, you can outfit your Super Boom skid steer with a long list of other options and dealer-installed accessories, including cab enclosure, a heater / defroster kit, auxiliary hydraulics, load monitor, three-point hitch adapter and more.



There's no need to leave your seat to attach or remove buckets and attachments when you add a Hydraulic Mount Plate.

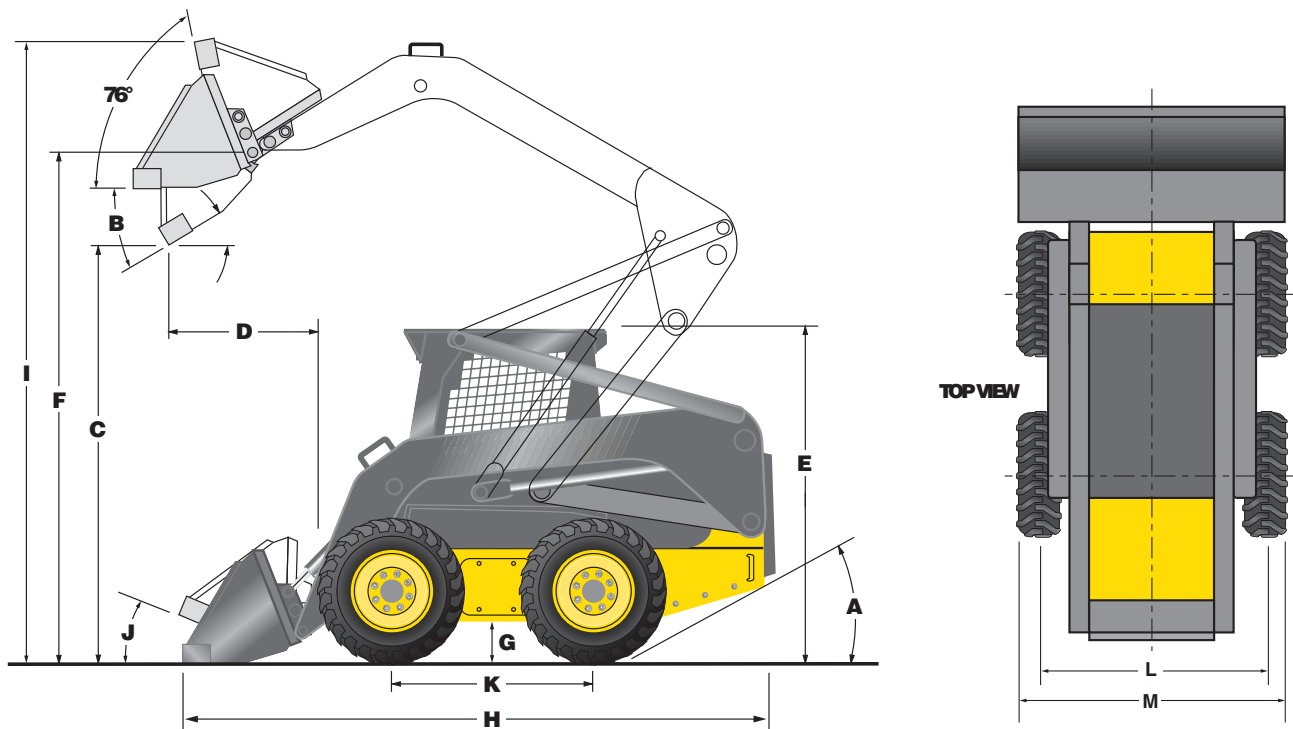


Attachments

- Pallet forks
- Silage defacers
- Bale spears
- Bale handlers
- Tillers
- Drills
- Rakes
- Dozer blades
- Backhoes
- Snow blowers
- Brooms
- Mowers
- Trenchers
- much more

With over 60 attachments available, Super Boom skid steers can help you master just about any job.

Specifications



DIMENSIONS	LS140	LS150	LS160	LS170	LS180.B	LS185.B	LS190.B
A. Angle of departure	26°	26°	23°	23°	28°	28°	27°
B. Dump angle (maximum)	45°	45°	46°	46°	45°	45°	45°
C. Dump height (SAE), in (cm)	88 (223)	88 (223)	90 (230)	90 (230)	100 (254)	100 (254)	102 (259)
D. Dump reach @ maximum height (SAE), in (cm)	24 (61)	24 (61)	28 (71)	28 (71)	32.7 (83)	32.7 (83)	32.1 (82)
E. Height, in (cm)	72.75 (185)	72.75 (185)	74.75 (190)	74.75 (190)	77.85 (198)	77.85 (198)	79.5 (202)
F. Height to hinge pin, in (cm)	111 (282)	111 (282)	115.5 (293)	115.5 (293)	124.7 (317)	124.7 (317)	125.6 (319)
G. Ground clearance, in (cm)	8.25 (21)	8.25 (21)	7.7 (20)	7.7 (20)	8.4 (21)	8.4 (21)	10.1 (26)
H. Length with bucket, in (cm)	120 (304)	120 (304)	127 (322)	127 (322)	139 (353)	139 (353)	146 (371)
I. Operating height (maximum), in (cm)	136 (345)	136 (345)	140 (356)	140 (356)	151 (384)	151 (384)	153 (387)
J. Rollback angle (at carry position)	35°	35°	36°	36°	37°	37°	37°
K. Wheelbase, in (cm)	37.5 (95)	37.5 (95)	42.5 (108)	42.5 (108)	48.1 (122)	48.1 (122)	51.2 (130)
L. Wheel tread, in (cm)	47.8 (121)	47.8 (121)	55 (140)	55 (140)	58.5 (149)	58.5 (149)	62 (157)
M. Width, in (cm)	60 (125)	60 (125)	65.6 (167)	65.6 (167)	71 (180)	71 (180)	76.5 (194)

SUPER BOOM™ SKID STEER MODEL	LS140	LS150	LS160	LS170	LS180.B	LS185.B	LS190.B
ENGINE							
New Holland Engine	N843	N843H	N844	N844T (Turbo)	334M2 (Turbo)	334TM2 (Turbo)	445M2
Type of Fuel	Diesel	Diesel	Diesel	Diesel	Diesel	Diesel	Diesel
Number of Cylinders	3	3	4	4	3	3	4
Displacement cu in (l)	91.3 (1.5)	91.3 (1.5)	121.7 (2.0)	121.7 (2.0)	207 (3.4)	207 (3.4)	274 (4.5)
Max. SAE gross hp (kW)	32 (23.6)	38 (28.3)	46 (34)	52 (38.8)	63 (47)	78 (58.3)	80 (60)
SAE Net power hp (kW)	30 (22)	36 (26.9)	44 (32)	50 (37.3)	59 (44)	72 (53.6)	74 (55.2)
Rated engine speed RPM	2900	3200	2900	2900	2300	2300	2300
Max. Net Torque ft.lb (nm)	69 (94)	73 (99)	101 (137)	113 (153)	190 (266)	228 (319)	236 (324)
TRANSMISSIONS							
Forward & Reverse Speeds mph (km/h)	0-6.7 (0-10.8)	0-7.5 (0-12.1)	0-7.5 (0-12.1)	0-7.5 (0-12.1)	0-6.8 (0-10.9)	0-6.8 (0-10.9)	0-7.0 (0-11.7)
Speeds with two-speed transmission	NA	NA	NA	NA	0 – 11.3 (0-18.1)	0 – 11.3 (0-18.1)	0 – 11.4 (0 – 18.3)
Max. Wheel Torque ft.lb (nm)	2800 (3794)	3000 (4068)	3918 (5313)	3918 (5313)	6332 (8586)	6332 (8586)	6332 (8586)
HYDRAULICS							
Hydraulic Pump, GPM (LPM)	10.8 (40.9)	12 (45.4)	15.5 (58.7)	17.7 (67)	19.3 (73)	19.3 (73)	21.9 (83)
High Flow Hydraulics, GPM (LPM)	—	—	---	24.5 (93)	34.7 (131)	34.7 (131)	37.3 (141)
PERFORMANCE							
SAE Bucket Breakout Force, lb (kg)	3,405 (1544)	3,500 (1588)	3,712 (1687)	3,712 (1687)	6,034 (2737)	6,034 (2737)	6,034 (2737)
SAE Boom Breakout Force, lb (kg)	2,020 (916)	2,400 (1089)	2,828 (1286)	2,828 (1286)	3975 (1803)	3975 (1803)	5,200 (2359)
Manufacturer's Operating Load, lb (kg)	1,250 (567)	1,350 (612)	1,600 (725)	1,750 (794)	2,200 (998)	2,500 (1133)	2,800 (1270)
SAE Operating Load, lb (kg)	1,380 (626)	1,400 (636)	1,700 (771)	1,765 (800)	2,400 (1090)	2,500 (1133)	2,800 (1270)
Tipping Load Without							
Weights per SAE J-732, lb (kg)	2,760 (1252)	2,850 (1293)	3,400 (1542)	3,530 (1601)	4,800 (2177)	5,001 (2268)	5,602 (2541)
SAE Operating Weight*, lb (kg)	4,395 (1994)	4,500 (2042)	5,534 (2210)	5,540 (2513)	7,100 (3220)	7,300 (3311)	7,860 (3565)
CAPACITIES							
Fuel tank, gal (l)	8.75 (33.1)	8.75 (33.1)	14.4 (54.5)	14.4 (54.5)	18 (68)	18 (68)	21.5 (81)
Engine oil, qt (l); crankcase with filter	5.8 (5.5)	5.8 (5.5)	8.8 (8.3)	8.8 (8.3)	8.5 (8.0)	8.5 (8.0)	12.7 (12)
Cooling system, qt (l)	9.8 (9.3)	9.8 (9.3)	10.8 (10.2)	10.8 (10.2)	18 (17)	18 (17)	18 (17)

* Dimensional specifications and operating weights based on:

- LS140 & LS150 — Base unit plus full fuel tank, 175 lb (79 kg) operator, 60" dirt and foundry bucket, 10 x 16.5 HD tires.
- LS160 & LS170 — Base unit plus full fuel tank, 175 lb (79 kg) operator, 66" dirt and foundry bucket, 10 x 16.5 HD tires.
- LS180.B, LS185.B — Base unit plus full fuel tank, 175 lb (79 kg) operator, 72" dirt and foundry bucket, 12 x 16.5 HD tires.
- LS190.B — Base unit plus full fuel tank, 175 lb (79 kg) operator, 78" dirt and foundry bucket, 14 x 17.5 tires.

Specifications

SUPER BOOM™ SKID STEER MODEL	LS140	LS150	LS160	LS170	LS180.B	LS185.B	LS190.B
STANDARD BUCKET OPTIONS							
54" low-profile (10.3 cu. ft.)	X	X					
60" low-profile (11.5 cu. ft.)	X	X	X	X			
60" low-profile extended (14.3 cu. ft.)	X	X	X	X			
66" low-profile extended (15.5 cu. ft.)			X	X	X	X	
72" low-profile extended (17.1 cu. ft.)			X	X	X	X	X
78" low-profile extended (18.8 cu. ft.)					X	X	X
84" low-profile extended (20.2 cu. ft.)					X	X	X
54" dirt & foundry (10.2 cu. ft.)	X	X					
60" dirt & foundry (11.5 cu. ft.)	X	X	X	X			
66" dirt & foundry (15.2 cu. ft.)			X	X	X	X	
72" dirt & foundry (16.7 cu. ft.)			X	X	X	X	X
78" dirt & foundry (18.4 cu. ft.)					X	X	X
60" manure/slurry (16.7 cu. ft.)	X	X	X	X			
72" manure/slurry (19.1 cu. ft.)			X	X	X	X	X
84" manure/slurry (22.5 cu. ft.)					X	X	X
60" utility/light material (19.7 cu. ft.)	X	X	X	X			
72" utility/light material (23.7 cu. ft.)			X	X	X	X	X
84" light material bucket (27.9 cu. ft.)			X	X	X	X	X



Select from a wide variety of buckets to suit your exact applications.

Select from a variety of tire options to match your Super Boom™ to any working condition:

General-purpose, standard-duty tires

Provide a large footprint for better traction and flotation when operating in off-road conditions.

Heavy-duty tires

Titan HD 2000 tires feature a 40% thicker side wall, molded rim guard, a stiffer lug design and are available with TyrLiner™ puncture protection for even less down time.

Solideal Hauler SKS tires are made with high-quality natural rubber for long wear life and puncture resistance for light-to-medium-duty applications. They feature a wide sidewall protector and a built-in rim guard.

Galaxy Constellation XD2002 tires feature a heavy-duty, square-cut profile, rim shield protector and heavy sidewall construction.

Galaxy Beefy Baby tires are the most durable, versatile general-purpose tire choice, featuring heavy-duty, square-cut profile, a new longer-wearing tread compound, super sidewall, rim shield protector, extra-wide tread and shoulder bars and extra tread depth.

Galaxy Hippo tires are constructed like Beefy Baby tires, but with a larger footprint for better flotation in soft, wet conditions.

Special application tires

Galaxy Hulk L5 tires are a great choice for machines used both on and off road. The hard rubber compound provides good puncture resistance and wear life on hard, abrasive surfaces and the deep, open tread gives acceptable off-road traction in most conditions.

Galaxy King Kong L4 mining service tires have a hard rubber compound, deep tread, and wide sturdy lugs to withstand severe duty on hard surfaces like rock, concrete and asphalt without causing the stress to machine and operator that solid tires do.



New Holland offers a broad selection of tires, including those for general-purpose, heavy-duty and special applications.

Put power into small spaces



The small frame size of the LS120 and LS125 make them ideal for working in barns, stables and other out-buildings.

Compact LS120 and LS125 maneuver easily in confined work areas.

Working in tight, narrow spaces? Or spaces with low overhead clearance? These are the skid steers for you.

Compact and rugged

The New Holland LS120 and LS125 are ideal for working in tight areas where it's hard to maneuver. Even with their widest buckets, they can clear 48-inch-wide openings. Their overall height of less than six feet and overall length of less than eight feet make them ideal for a variety of jobs from cleaning out stalls to handling construction/demolition tasks in tight places. Equipped with traditional rear-mounted lift linkage, these small-but-powerful workhorses are easy to operate and service. With rated operating loads of 600 and 700 pounds respectively, fast cycle times and 61.8 -inch dump heights, the LS120 and LS125 handle a wide variety of hard work in a hurry.

Small but mighty

Don't let the small size of the LS120 and LS125 fool you. They can handle plenty of work. Both the two-cylinder, air-cooled gasoline engine on the LS120 and the three-cylinder, water-cooled diesel engine on the LS125 deliver plenty of power. Low center of gravity, long 32-inch wheel-base, and favorable front-to-rear weight distribution ensure good

stability. Thanks to their overall small frame size, both the LS120 and LS125 deliver outstanding visibility... even out of the back.

The versatility you need

Choose the tires, buckets and attachments that are right for you. Pin-type quick-attach mounting system makes attachment changes simple and easy. Auxiliary boom hydraulics with flat-face couplers are available for maximum versatility and productivity when working with hydraulic-powered attachments. New Holland attachments include:

- 36-, 42 and 47-inch standard-duty buckets
- 4-in-1 bucket
- Grapple bucket
- 50-inch light materials bucket
- 36-inch pallet forks
- Dozer blade
- Snow blade
- 48-inch angle-broom sweeper
- Earth drill
- Tree fork
- Leveling tool
- Multi-tool (ripper, hitch and lift bar)
- Toro Dingo-style attachment adapter

Specifications

Model	LS120	LS125
Max. SAE gross hp (kW)	18 (13.3)	16.5 (12.3)
SAE net hp (kW)	14.5 (10.8)	15.5 (11.6)
Max. forward/reverse speed, mph (kph)	5.8 (9.3)	5.8 (9.3)
SAE operating load, lb (kg)	600 (272)	700 (317)
SAE operating weight, lb (kg)	2,050 (930)	2,185 (991)
Overall length, in (cm)	92.4 (235)	95.2 (242)
Overall width, in (cm) (5.70x12 tires)	35.2 (89)	35.2 (89)
Overall height, in (cm)	69.4 (176)	69.4 (176)
Hinge pin height, in (cm)	93.6 (238)	93.6 (238)
SAE dump height, in (cm)	61.8 (157)	61.8 (157)
SAE dump reach @ MAX. height, in (cm)	21.4 (54)	21.4 (54)
Hydraulic pump flow, gpm (lpm)	8 (30.3)	8 (30.3)
Tire options	Standard Buckets	
23 x 8.50-12, 4PR cleat-tread	36" utility (4.6 cu. ft.)	
5.70 x 12, 4PR chevron-tread	42" utility (5.3 cu. ft.)	
	47" utility (6.0 cu. ft.)	

You can carry heavy loads through narrow doorways or under low overhangs with a compact LS120 or LS125, thanks to a narrow 35.2-inch width and an overall height of 69.4 inches.



You'll find it at the blue and white sign.

Globally, we're a valued leader in innovative agricultural and construction equipment and a wide range of financial services.

Locally, we're your trusted New Holland dealer — the specialist at the blue and white sign who's always there with the equipment, parts, service and financing you and your operation need.

Together, we're working to deliver the best value in today's dynamic world economy.

With productive equipment. You won't find a more complete and modern line of tractors, haytools, combines and crop production equipment — with a wider selection of models offering the latest performance, convenience and comfort features — than at your New Holland dealer.

With quality parts and service. Turn to your New Holland dealer after the sale for expert, factory-trained service and genuine New Holland-branded parts to keep you working productively. After all, you've placed your confidence in the best equipment, and you deserve the finest support — whether at the service counter or in the field.

With competitive financing. Your New Holland dealer can tell you about smart ways to maximize cash flow, preserve working capital and protect

what's important. Like competitive-rate financing, leasing and insurance available through New Holland Credit and the flexibility and purchasing convenience of the



New Holland Plan. You name it — equipment, parts and service, financing, or just trusted, honest advice on farming and finance — you'll find it all at the blue and white sign. Around the world, or right down the road, we're the company you can always turn to.



YOUR NEW HOLLAND DEALER



for expert, factory-trained service and genuine New Holland-branded parts to keep you working productively. After all, you've placed your confidence in the best equipment, and you deserve the finest support — whether at the service counter or in the field.

Visit our Web site at www.newholland.com/na Or, call toll-free: 1-888-290-7377

 **NEW HOLLAND IS A BRAND OF CNH.**
A GLOBAL LEADER IN AGRICULTURAL AND CONSTRUCTION EQUIPMENT AND FINANCIAL SERVICES.



Design, materials and/or specifications are subject to change without notice and without liability therefor. Specifications are applicable to units sold in Canada, the United States, its territories and possessions, and may vary outside these areas.



Safety begins with a thorough understanding of the equipment. Always make sure you and your operators read the Operator's Manual before using the equipment. Pay close attention to all safety and operating decals and never operate machinery without all shields, protective devices and structures in place.