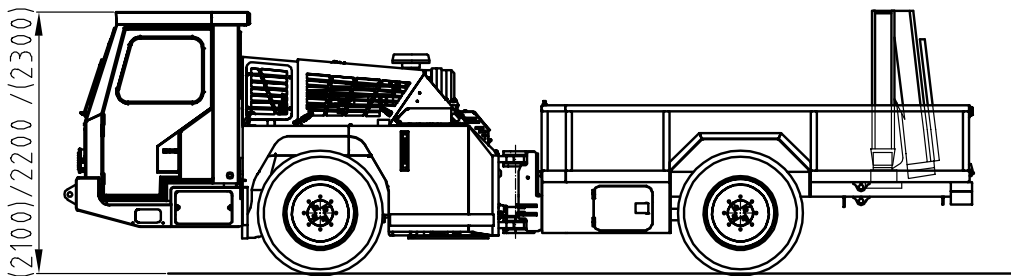
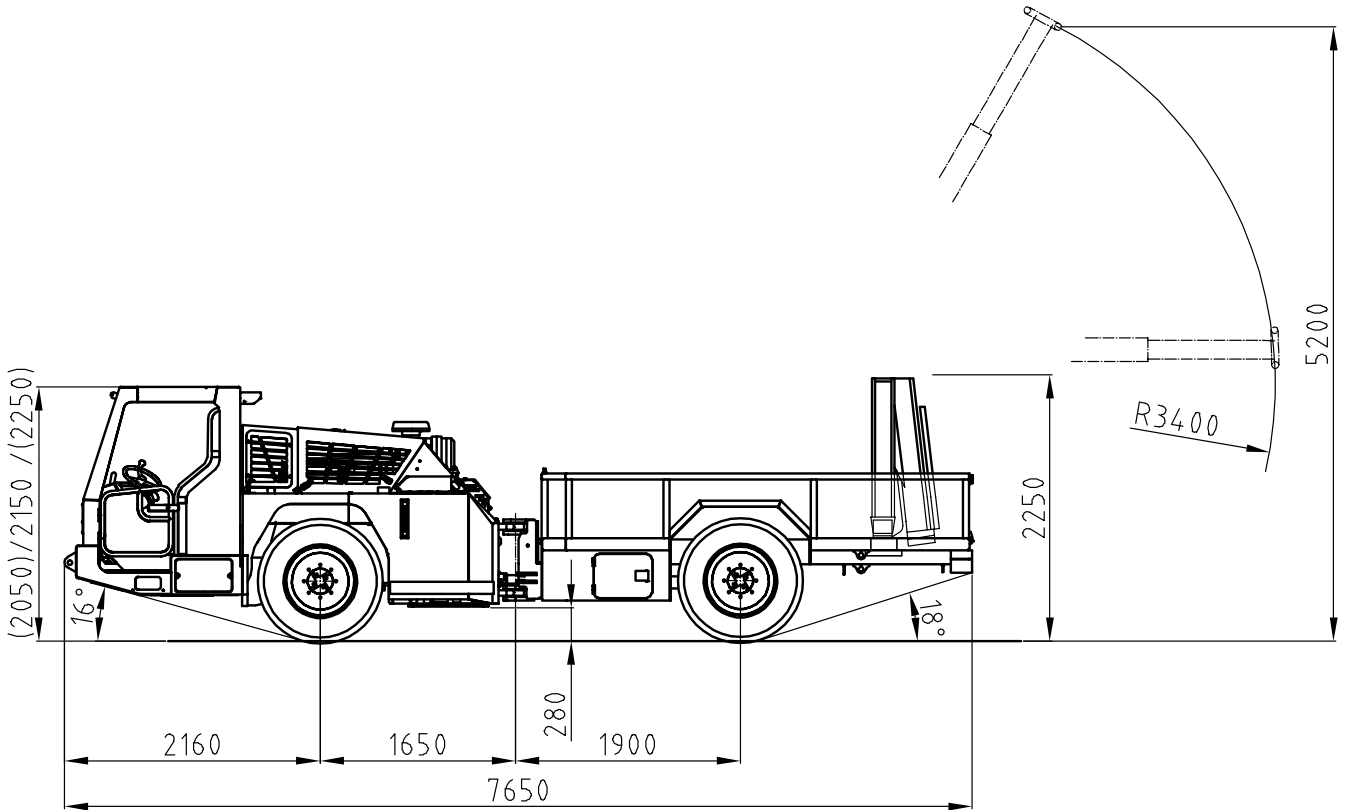


normet

Normet Corporation
Ahmolantie 6
FI-74510 IISALMI, FINLAND
Tel +358 (0) 17 83 241
Fax +358 (0) 17 823 606

Utimec 6250 CR

TI 1800020
DRW
DATE 04.12.2007
PAGE 1 / 4
APPR. 18.04.2008

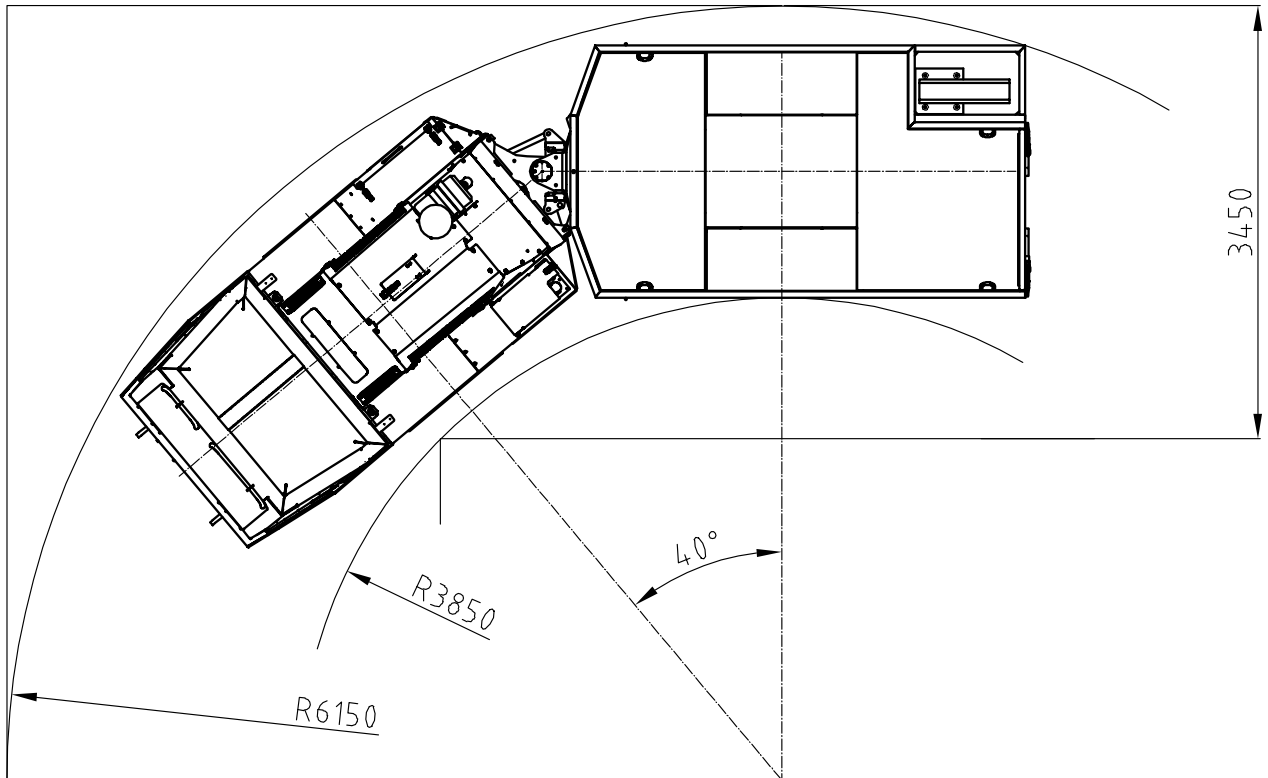
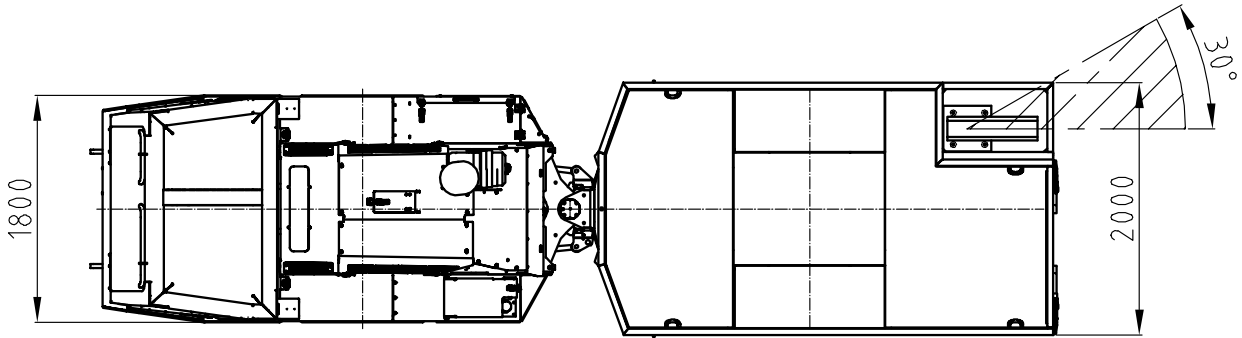


normet

Normet Corporation
Ahmolantie 6
FI-74510 IISALMI, FINLAND
Tel +358 (0) 17 83 241
Fax +358 (0) 17 823 606

Utimec 6250 CR

TI 1800020
DRW
DATE 04.12.2007
PAGE 2 / 4
APPR. 18.04.2008



DIMENSIONS

Length	7650 mm
Width	2000 mm
Height	2250 mm
Wheel base	3550 mm
Track	1500 mm
Ground clearance	280 mm

WEIGHT

Operating	7500 kg
Max. payload	4500 kg

TURNING RADIUS

Outer	6100 mm
Inner	3850 mm

CRANE

Lifting capacity	25,2 kNm
Boom reach – lifting capacity	
- 1,5 m	1800 kg
- 3,5 m	780 kg
- 5,8 m	440 kg
Slewing angle	330°

PERFORMANCE CURVE

	4800031
1st gear	max. 5 km/h
2nd gear	12 km/h
3rd gear	25 km/h
Max. tractive effort	90 kN

TRANSMISSION

Dana Spicer powershift
 3 speeds forwards and reverse
 4-wheel drive

AXLES

Planetary type	
rear axle fixed	
front axle oscillation	+/- 10°

TYRES

10.00 - 20 PR 16

BRAKES

Service brake: hydraulically powered two-circuit oil immersed multidisc brakes in both axles
Safety/Parking brake: hydraulically released fail-safe - type brake

STEERING

Hydraulic frame steering,
 Orbitrol type
 Frame articulation +/- 40°

HYDRAULICS

190 bar, 95 l/min/2200 rpm
 for steering and brakes

ENGINE

Deutz TCD 2012 L4
 96 kW/2200 rpm

ELECTRICAL SYSTEM

24 V negative ground
 Battery 2 x 110 Ah
 Alternator 80 A
 Lights (2+2) x 70 W

OPTIONS AND ACCESSORIES:**ENCLOSED CABIN****CABIN HEATING****AIR CONDITIONING****ENGINE**

MB 904 LA
 90 kW/2200 rpm