

Electric



10 tmE

ORMIG S.p.A.

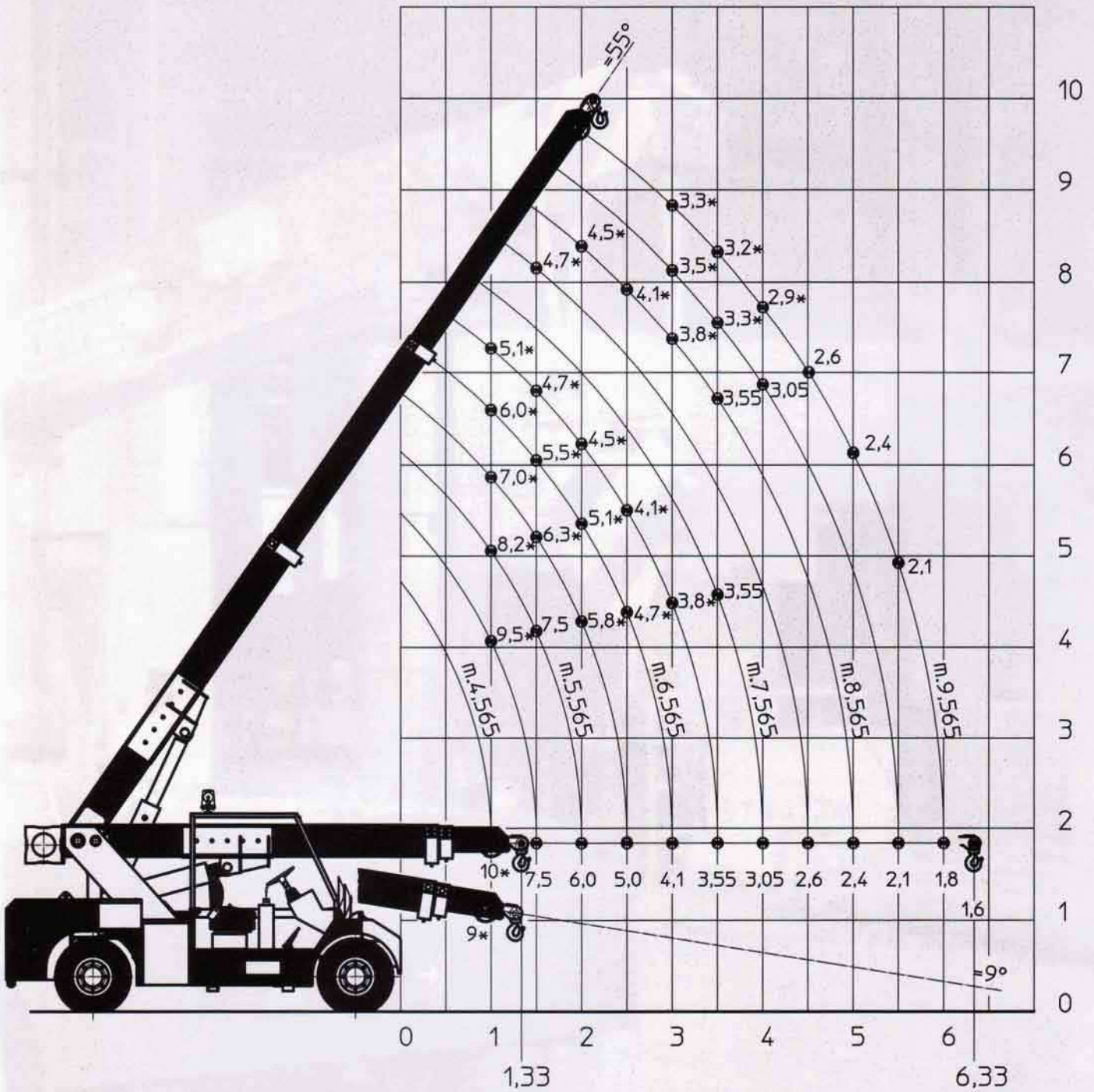
TEL. (+39) 0143 80051 r.a.
TELEFAX (+39) 0143 86568
E-mail: mktg@ormigspa.com
E-mail: sales@ormigspa.com
www.ormig.com - www.pickandcarry.com

ORMIG S.p.A.
PIAZZALE ORMIG
P.O. BOX 63
15076 OVADA (AL)
ITALY

TECHNICAL FEATURES

| | |
|------------------------------|--|
| Frame: | Rectangular pipes structure. Projected and manufactured by Ormig from high quality steel. |
| Motor: | Electric at c.c. - 24 kW power, max torque supply 500 Nm. Electronic system for operating controls. Battery charge equipment (separated) |
| Axles: | Front rigid driving axle. Steering rear axle with central swing. |
| Tyres: | 8,25 - R15, 18PR double tyres at front axle and single at rear axle. |
| Steering: | Equipped with an hydraulic pump, hydraulic steering and hydraulic cylinder with going-through stem. Max. outer turning circle radius 4.40 m |
| Brakes: | In compliance with EEC regulations. Hydraulically operated service brake acting at front wheels, with foot pedal control. Spring type mechanical parking and emergency brake, acting at front wheels; hydraulic desengagement is provided with control from driving cab. |
| Driving place: | Dashboard with full instrumentation, controls and steering-wheel, with ergonomic seat and driver protection. |
| Electric system: | Operating voltage 80 V c.c. by means of lead-acid accumulator with 1000 Ah capacity (about 8 hours ability) formed by 40 elements. |
| Boom: | Fabricated from plate at high strength. It is connected to the frame by means of the rear supporting parts. The boom is formed by a base section and two extensions at oleodynamic extraction through double-action cylinder. Fix hook at boom top. |
| Hydraulic system: | Feeding by an electro-pump at one section, electric motor at c.c. 16.8 kW power, for boom derricking and extraction, winch. Electronic system for operating controls. Tank capacity 85 litres. |
| Motor for service: | Electric c.c., 5 kW power, operating control by electronic system. |
| Safety regulations: | The crane is fitted with all safety devices as per regulations in force; it complies with safety and health rules as per Encl.1 of Machine Directive 89/392 and subsequent amendment. Therefore, the mark "CE" is provided on the crane equipped with the electronic safe load device. |
| Weight: | Total weight 10.200 Kg Front axle 3.400 Kg Rear axle 6.800 Kg |
| Equipment on request: | <ul style="list-style-type: none">• Electronic safe load device, active type, providing cut out of the controls which can cause dangerous conditions when the rated load is reached• Driving cab, complete with windshild wiper• Winch with hook, rope end of stroke and control• Special flyjibs• Spare wheel• Battery charge on the crane• Forks |

Lifting capacity chart (tonnes)
Hublasttabelle (tonnen)

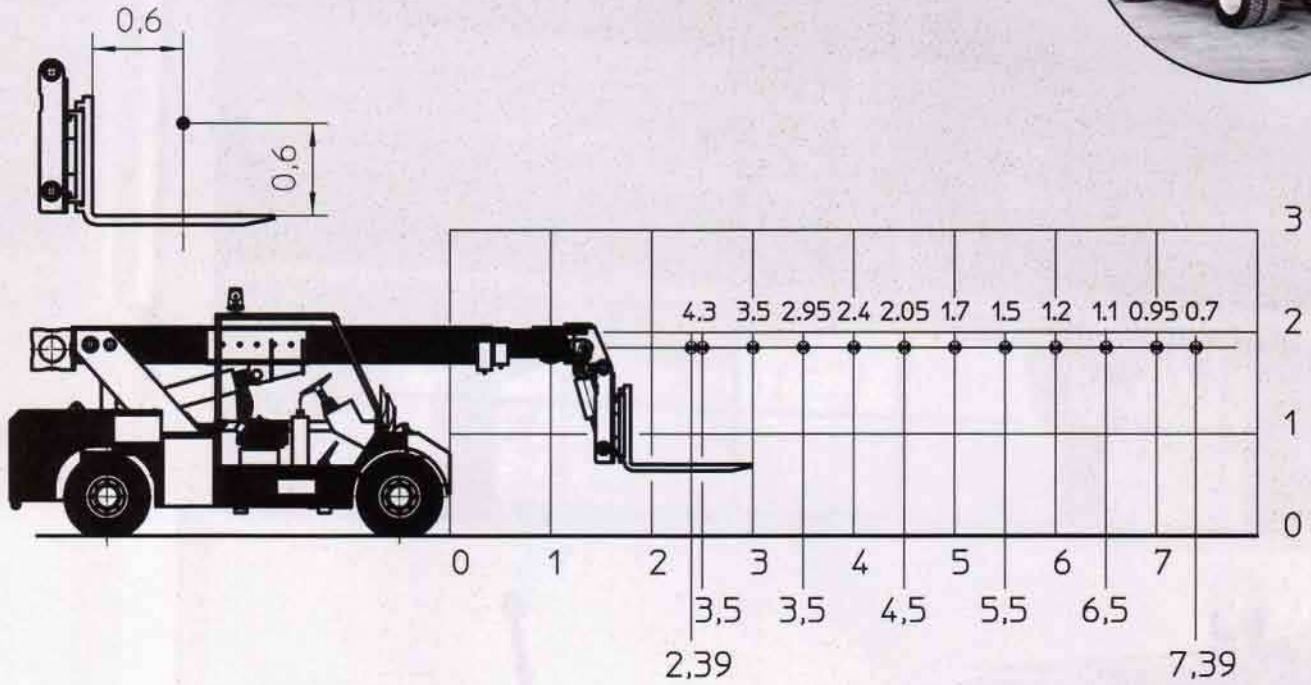


* Portate determinate da fattori diversi dal ribaltamento

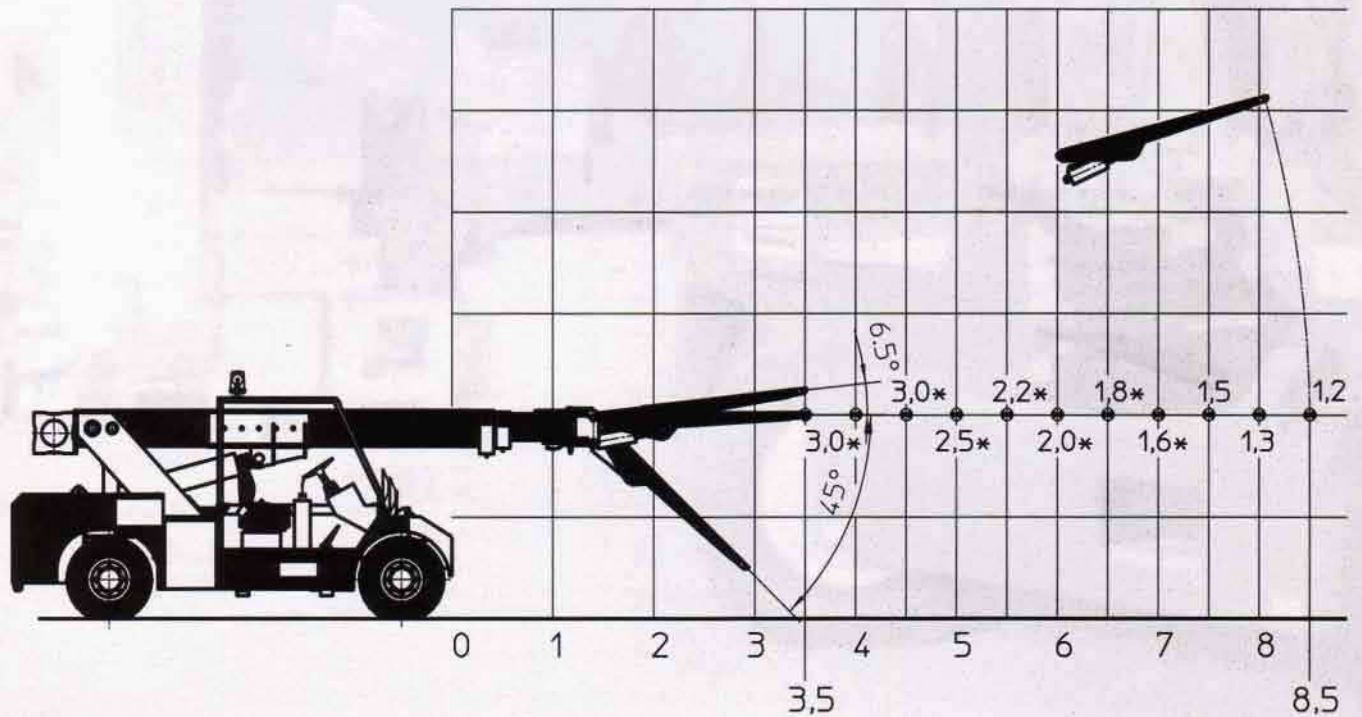
* Capacities determined by factors other than tipping load

* Das Kippmoment wird auch noch von anderen Faktoren als von der zu hebenden Last bestimmt

Lifting capacity Chart with forks (tonnes)
 Traglasten mit Gabeln (tonnen)



Lifting capacity Chart with fly-jib (tonnes)
 Traglasten mit Hydraulischespitze (tonnen)



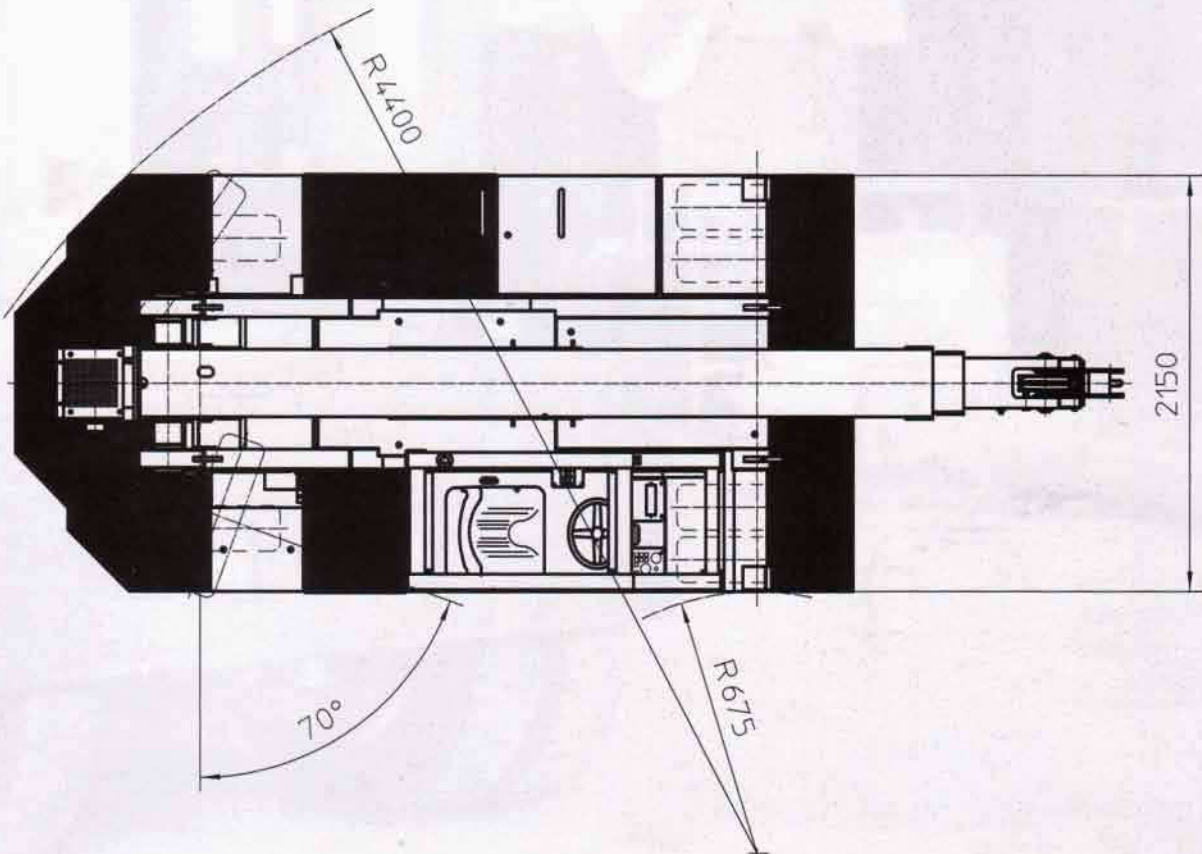
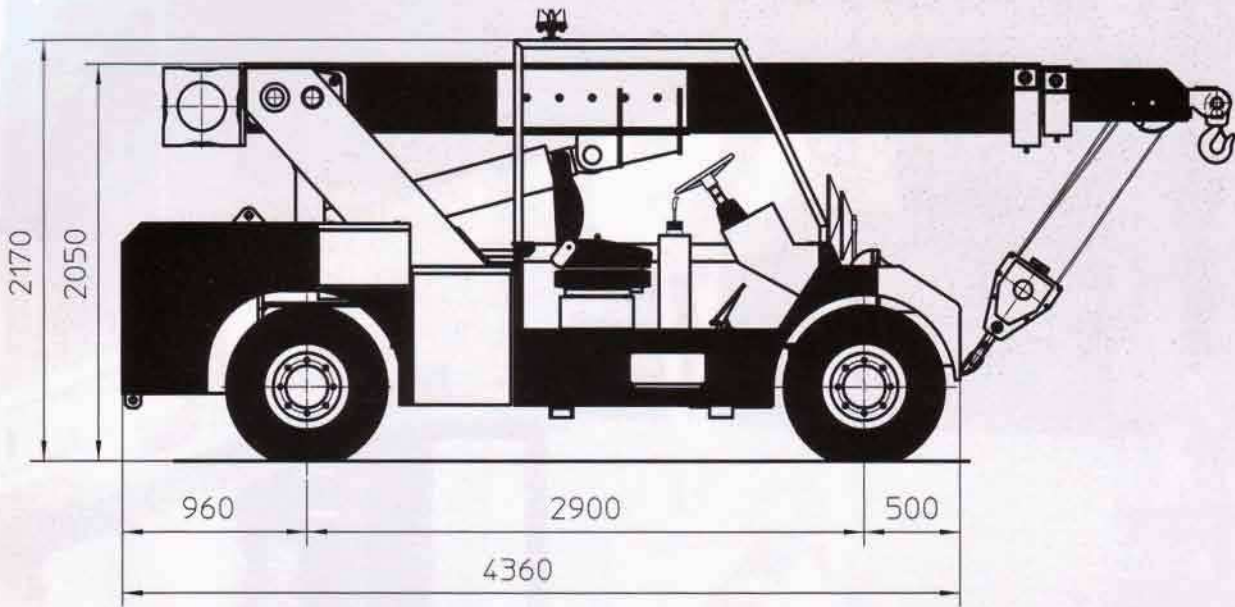
* Portate determinate da fattori diversi dal ribaltamento

* Capacities determined by factors other than tipping load

* Das Kippmoment wird auch noch von anderen Faktoren als von der zu hebenden Last bestimmt

Dimensioni Generali

General Dimensions
Hauptabmessungen





TEL. (+39) 0143 80051 r.a.
 TELEFAX (+39) 0143 86568
 E-mail: mktg@ormigspa.com
 E-mail: sales@ormigspa.com
 www.ormig.com - www.pickandcarry.com

ORMIG S.p.A.
 PIAZZALE ORMIG
 P.O. BOX 63
 15076 OVADA (AL)
 ITALY