

# PK 600 TK / PK 800 TK

**PALFINGER** CRANE



SOARING ABOVE WITH ASSEMBLY CRANES FROM PALFINGER



## MAXIMUM SPEED AND WORKING HEIGHT

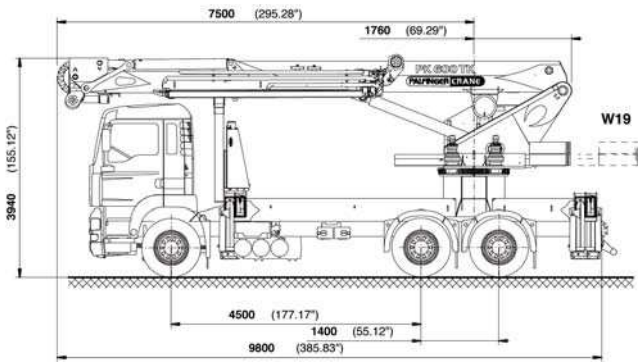
The PK 600 TK is the ideal assembly crane, thanks to its quick movements and precise controls. It is extremely versatile, ideal for many different jobs and helps the operator move heavy loads quickly with great precision.



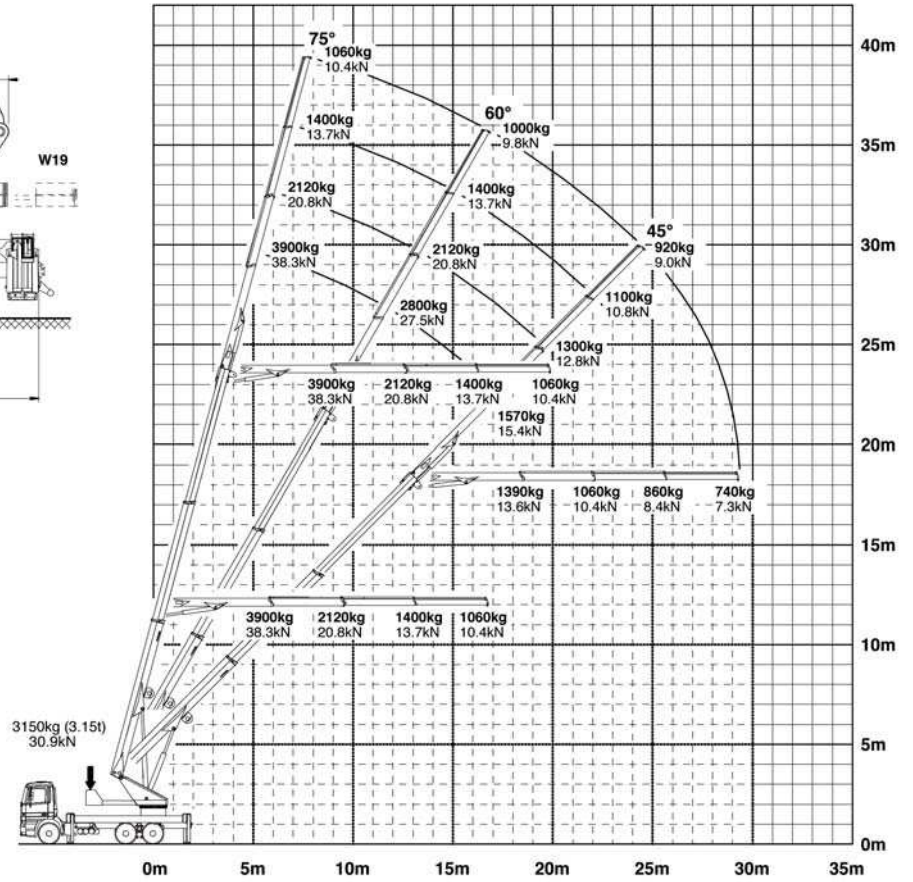


# EFFICIENT CABLE WINCH OPERATION AND SENSITIVE CONTROLLABILITY

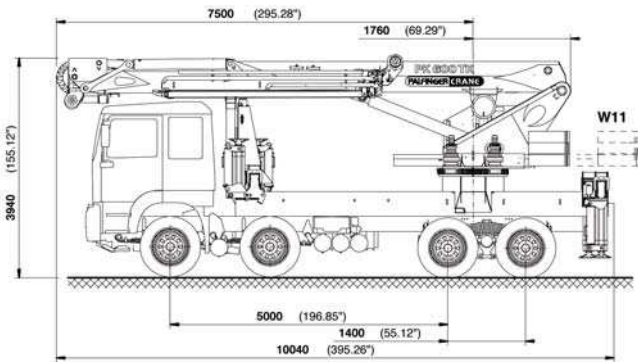
PK 600 TAKB W19



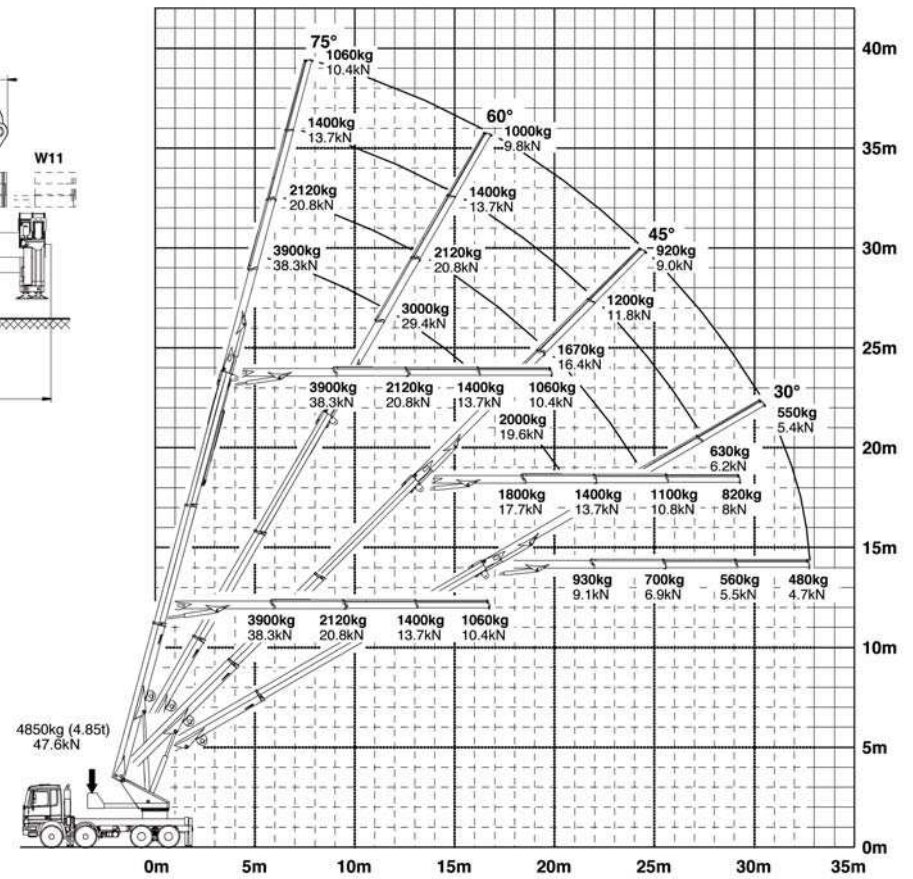
PK 600 TAKB W19



PK 600 TAKB W11



PK 600 TAKB W11





## A WHOLE LIST OF STANDARD FEATURES

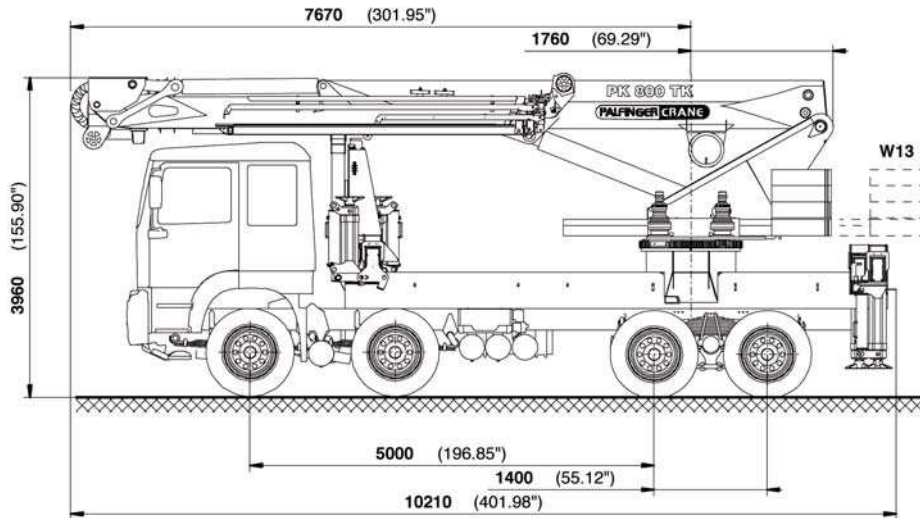
This crane was specially designed to perform in jobs, in which loads have to be brought and manipulated at very great heights. Thanks to the enormous outreach and short set-up times, the PK 800 TK performs "a cut above the rest" in every situation.



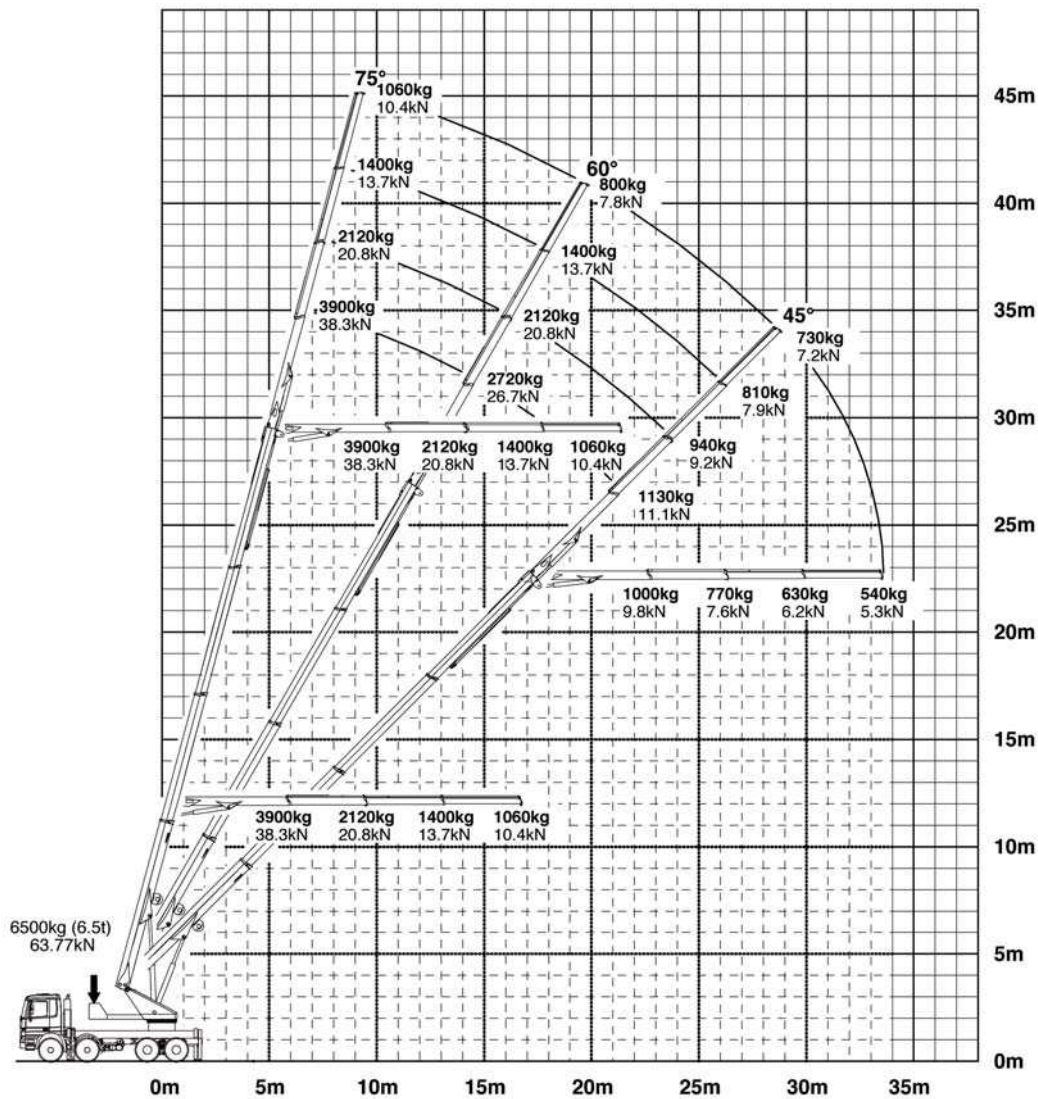


# FOR MAXIMUM VERSATILITY IN MINIMUM SET-UP TIMES

## PK 800 TBKB W13



## PK 800 TBKB W13



# PERFECT CRANE GEOMETRY FOR ASSEMBLY JOBS

## Stabilizers

An outrigger spread of only 6 meters enables job application in restricted spaces. The stabilizer legs are built in a robust hexagonal form. The hydraulic stroke of the stabilizer ram can be increased even further, by using the integrated mechanical extension. When mounted on a 4 axle truck, hydraulic flip-up stabilizer legs are installed in the frontal area.



## Load holding valves

They prevent the crane booms from lowering and are fitted as standard on the slewing system and on the main boom cylinder, the outer boom cylinder and on the boom extension cylinders. The valves are positioned in such a way that they are protected from being damaged.

## Internally routed oil passages

The internally routed oil passages make it possible to have a compact design for the extension system and ensure perfect protection from damage.

## Cable winch

A lifting capacity from 2.75 to 3.5 t and a high cable speed of 70 m/min characterise the high speed cable winch fitted under the main boom. The operating speed is decisive in the economic cost-effectiveness of the crane.





# OVER 45 METERS WORKING HEIGHT – FULLY HYDRAULIC!

## Mounting

The 3 crane models are ideally designed for mounting on different 3 or 4 axle trucks. Thanks to the prefabricated, standardised subframe, installation costs can be kept to a minimum whilst retaining the top technical standards.



## Counterweight

The hydraulic, telescopic counterweight provides optimized stability of the vehicle. Depending on the crane model, counterweights between 3150 kg and 6500 kg are used.

## Control valve

In combination with the radio remote control system the load sensing proportional valve allows a very sensitive controlling of the crane.



## Endless slewing mechanism

The endless slewing mechanism with slewing ring, which is equipped as standard with two slewing drives, permits an unrestricted radius of operation and produces a high slewing torque. As a result the crane operations are more efficient.

## AOS

The Active Oscillation Suppression system, which is available exclusively from PALFINGER, compensates for jolts and sharp stress cycles caused by crane operation. As oscillations are eradicated, the crane can work with pin-point accuracy, much more quickly and therefore more cost-efficiently.



## Advanced Package

- Radio remote control with capacity display on control console
- Danfoss control valve mounted on the crane column
- Electronic HPLS
- PALTRONIC 50 overload protection system
- Oil cooler
- External 450 l hydraulic oil tank
- Variable displacement pump

# OPTIMIZED STABILITY THANKS TO THE HYDRAULICALLY EXTENDABLE COUNTERWEIGHT

PK 600 TK		
Technical Specifications		
Crane moment	76.6 mt/751.0 kNm	553910 ft.lbs
Max. lifting capacity	3900 kg/38.3 kN	8600 lbs
Max. lifting height	40.1 m	131' 7"
Outreach	29.1 m	95' 6"
Slewing angle	endless	

PK 600 TAKB		
Standard crane		
Slewing torque	8.6 mt/84.5 kNm	62320 ft.lbs
Stabilizer spread	6.0 m	19' 8"
Max. operating pressure	300 bar	4350 psi
Recommended pump capacity with RC and LC-system	from 90l/min 19.8 imp.gal./min	23.8 US gal./min
	to 110l/min 24.2 imp.gal./min	29.1 US gal./min
Counterweight W11	4850 kg	10690 lbs
Counterweight W19	3150 kg	6940 lbs

PK 800 TK		
Technical Specifications		
Crane moment	93.8 mt/920.0 kNm	678560 ft.lbs
Max. lifting capacity	3900 kg/38.3 kN	8600 lbs
Max. lifting height	46.2 m	151' 7"
Outreach	33.4 m	109' 7"
Slewing angle	endless	

PK 800 TBKB		
Standard crane		
Slewing torque	9.8 mt/96.5 kNm	71170 ft.lbs
Stabilizer spread	6.0 m	19' 8"
Max. operating pressure	300 bar	4350 psi
Recommended pump capacity with RC and LC-system	from 90l/min 19.8 imp.gal./min	23.8 US gal./min
	to 110l/min 24.2 imp.gal./min	29.1 US gal./min
Counterweight W13	6500 kg	14330 lbs



Applications shown in the leaflet do not always correspond to the standard specifications. Country-specific regulations must be considered for the crane installation.



Design and specification are subject to change without prior notice.

www.palfinger.com

KP-PK600800TKM2+E, 08/07

Courtesy of Crane.Market