

LUFFING JIB TOWER CRANE

RTL 455

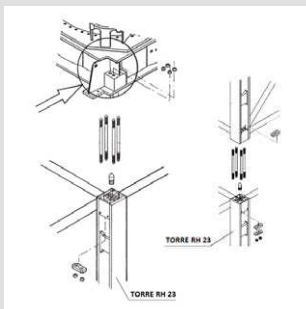
A - 25 HR23 I / II / FALLS

B - 24 HR23 II / III / IV / FALLS

TECHNICAL DATA SHEET



RECOMTM
Moritsch



TOWER TYPE HR 23

The well known H beam mast sections with vertical bolts connection will allow greater free standing heights. Available in two versions, heavy duty (HR 23-26) and std duty type (HR 23-22).



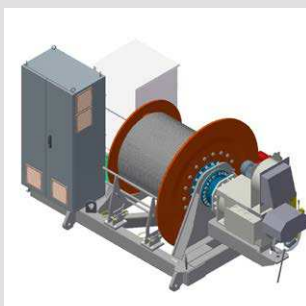
CABIN

New design CAB , wider, longer, with improved visibility. Grammer seat and gessman joy-stick for driver cofort and ABB controls for maximum safety. USB door, air con, easy cleaning of windows, 10" or 6" screen included.



MOUVABLE COUNTERWEIGHTS

To grant higher performances and maximum safety on big capacity luffers.



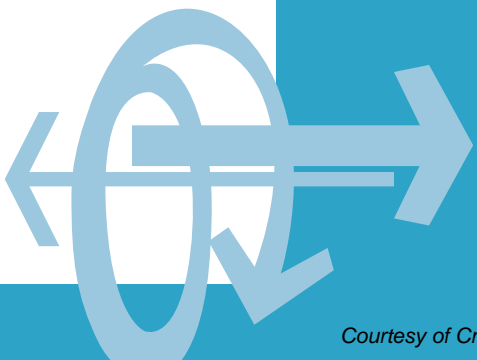
WINCHES

New generation of high power winches, from 67 to 110 kw. New braking system, new reduction gear to grant highest performances ever seen on a luffer.

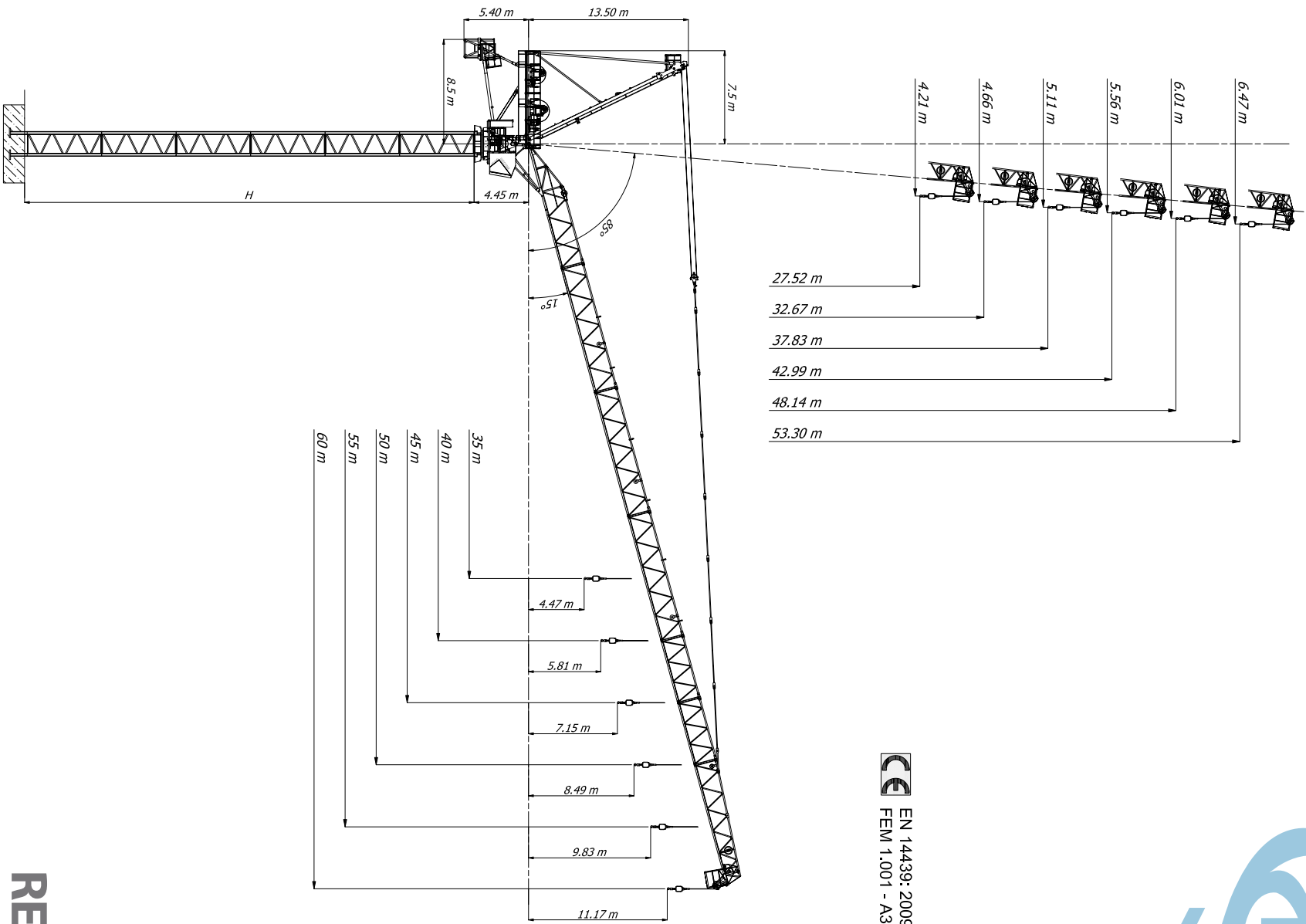
RTL 455

A - 25 HR23 I / II / FALLS

TECHNICAL DATA SHEET



Courtesy of Crane.Market



EN 14439: 2009
FEM 1.001 - A3

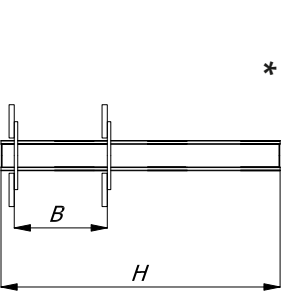
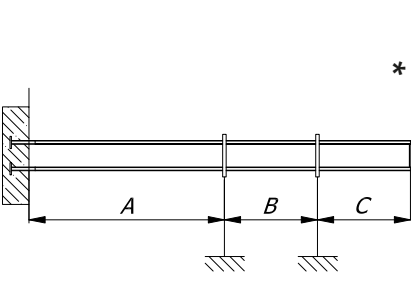
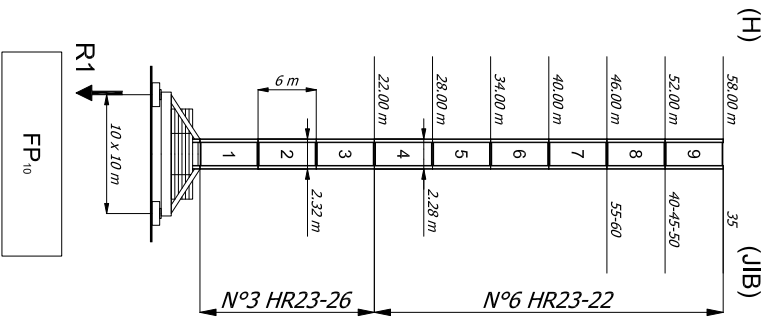
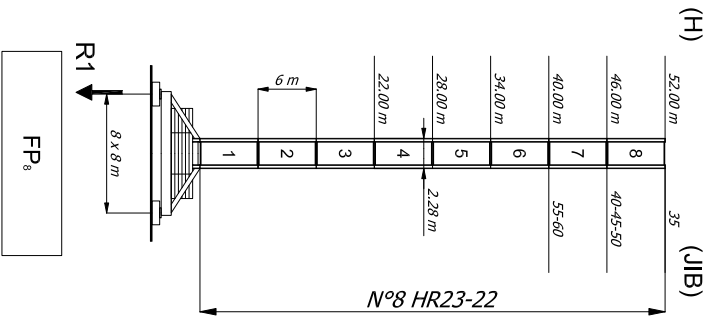
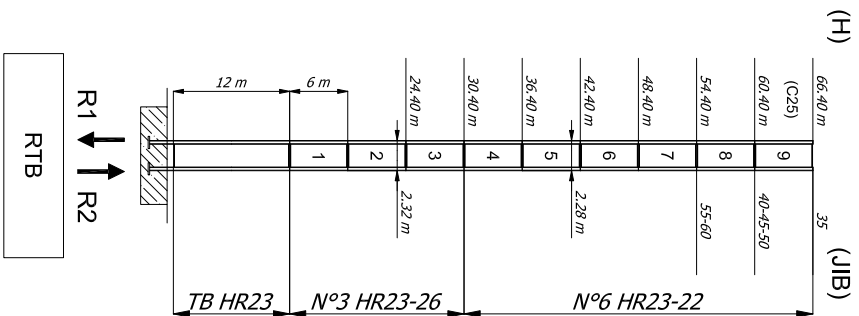
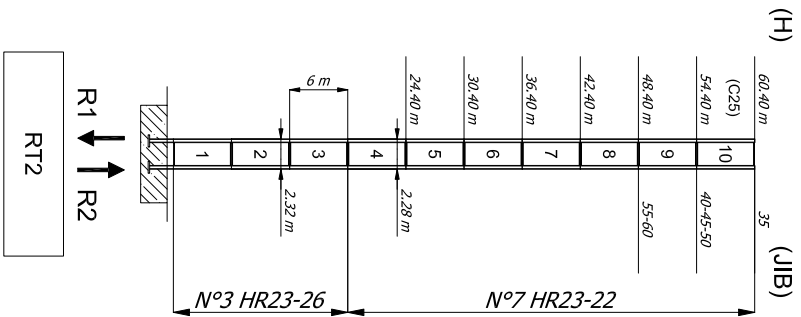
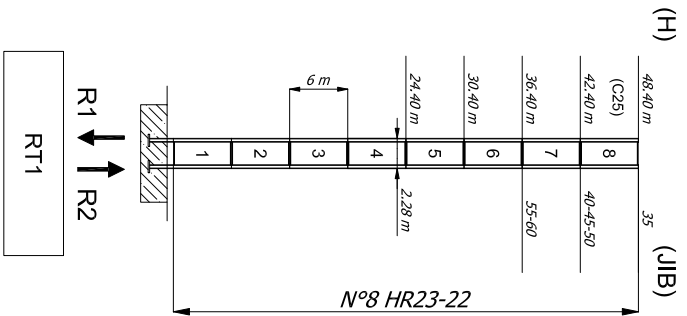
RTL 455 A - 25												
t		m	15	20	25	30	35	40	45	50	55	60
12,5 t	27,94 m	t	12,50	12,50	12,50	11,60	9,86	8,55	7,53	6,72	6,05	5,50
-	-	t	-	-	-	-	-	-	-	-	-	-
12,5 t	32,33 m	t	12,50	12,50	12,50	12,50	11,50	9,99	8,81	7,87	7,10	
18,5 t	21,28 m	t	18,50	18,50	15,57	12,78	10,78	9,28	8,12	7,19	6,50	54,45 m
12,5 t	37,02 m	t	12,50	12,50	12,50	12,50	12,50	11,53	10,18	9,10		
25 t	18,31 m	t	25,00	22,78	17,99	14,79	12,50	10,79	9,46	8,50	49,45 m	
12,5 t	38,82 m	t	12,50	12,50	12,50	12,50	12,50	12,11	10,70			
25 t	19,17 m	t	25,00	23,92	18,89	15,54	13,15	11,36	10,10	44,45 m		
12,5 t	40,00 m	t	12,50	12,50	12,50	12,50	12,50	12,50				
25 t	20,03 m	t	25,00	25,00	19,79	16,29	13,79	12,10	39,45 m			
12,5 t	35,00 m	t	12,50	12,50	12,50	12,50	12,50					
25	20,51 m	t	25,00	25,00	20,30	16,72	14,40	34,45 m				

RTL 455 A - 25												
lb		ft	49,21	65,62	82,02	98,43	114,83	131,23	147,64	164,04	180,45	196,85
27557,8	91,67 ft	lb	27558	27558	27558	25574	21731	18850	16608	14815	13348	12125
-	-	lb	-	-	-	-	-	-	-	-	-	-
27557,8	106,07 ft	lb	27558	27558	27558	27558	25353	22019	19425	17350	15653	
40785,5	69,82 ft	lb	40785	40785	34327	28165	23763	20462	17895	15841	14330	178,64 ft
27557,8	121,46 ft	lb	27558	27558	27558	27558	27558	25408	22438	20062		
55115,5	60,07 ft	lb	55116	50229	39654	32604	27568	23792	20854	18739	162,24 ft	
27557,8	127,36 ft	lb	27558	27558	27558	27558	27558	26703	23589			
55115,5	62,89 ft	lb	55116	52724	41650	34268	28994	25039	22267	145,83 ft		
27557,8	131,23 ft	lb	27558	27558	27558	27558	27558	27558				
55115,5	65,72 ft	lb	55116	55116	43627	35915	30407	26676	129,43 ft			
27557,8	114,83 ft	lb	27558	27558	27558	27558	27558					
55115,5	67,29 ft	lb	55116	55116	44753	36853	31747	113,02 ft				

Hoisting rope weight not included into the above chart - reduce the lifting performance with the following amount dependig on final crane height:

Rope weight:

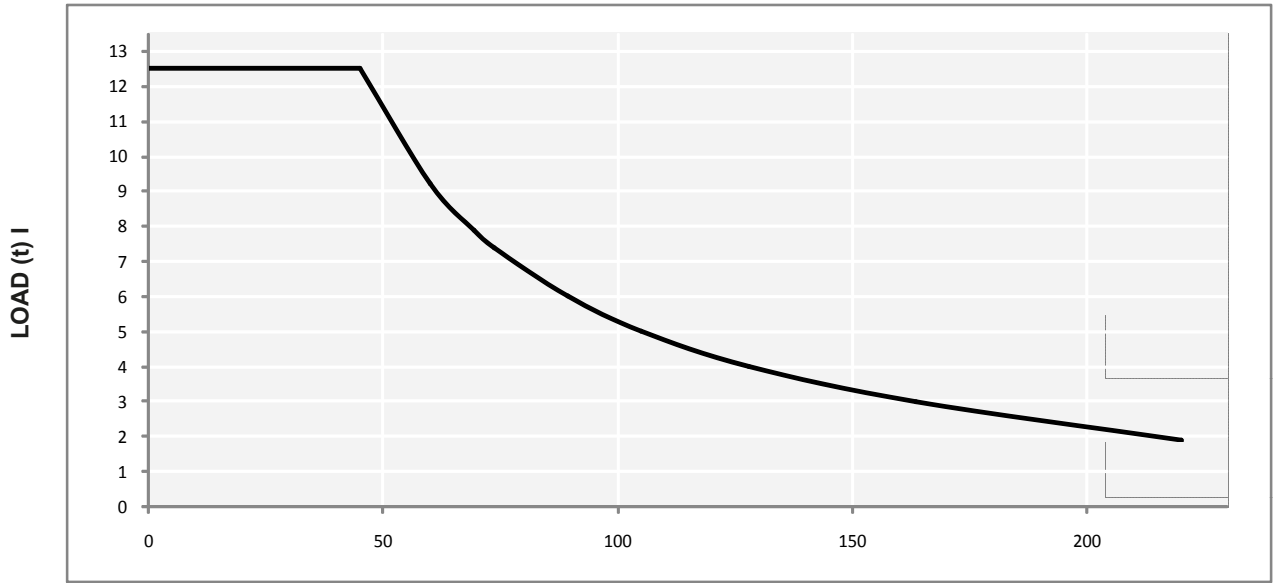
I FALL	3,288 kg/m →	2,21 lb/ft
II FALL	6,576 kg/m →	4,42 lb/ft



RTL 455 A - 25 HR23

* Please ask tech. Dept.
(C25) FEM 1.004 out of service wind conditions
Different height and tower combinations are available - please consult us

110 HVF 250



HOISTING

		t	m/min		kW		
	110 HVF 250	I	12,5	0	→	45	110
			8	0	→	68	
			4	0	→	128	
			1,9	0	→	220	
	110 HVF 250	II	25	0	→	22	
			16	0	→	34	
			8	0	→	64	
			3,8	0	→	110	

6



Hoisting Winch 110 kW

Max rope on drum: 850 m



Luffing Winch 90 kW

1.9 min



Slewing 2 x 14 kW

0.7 rpm.



Machine rating

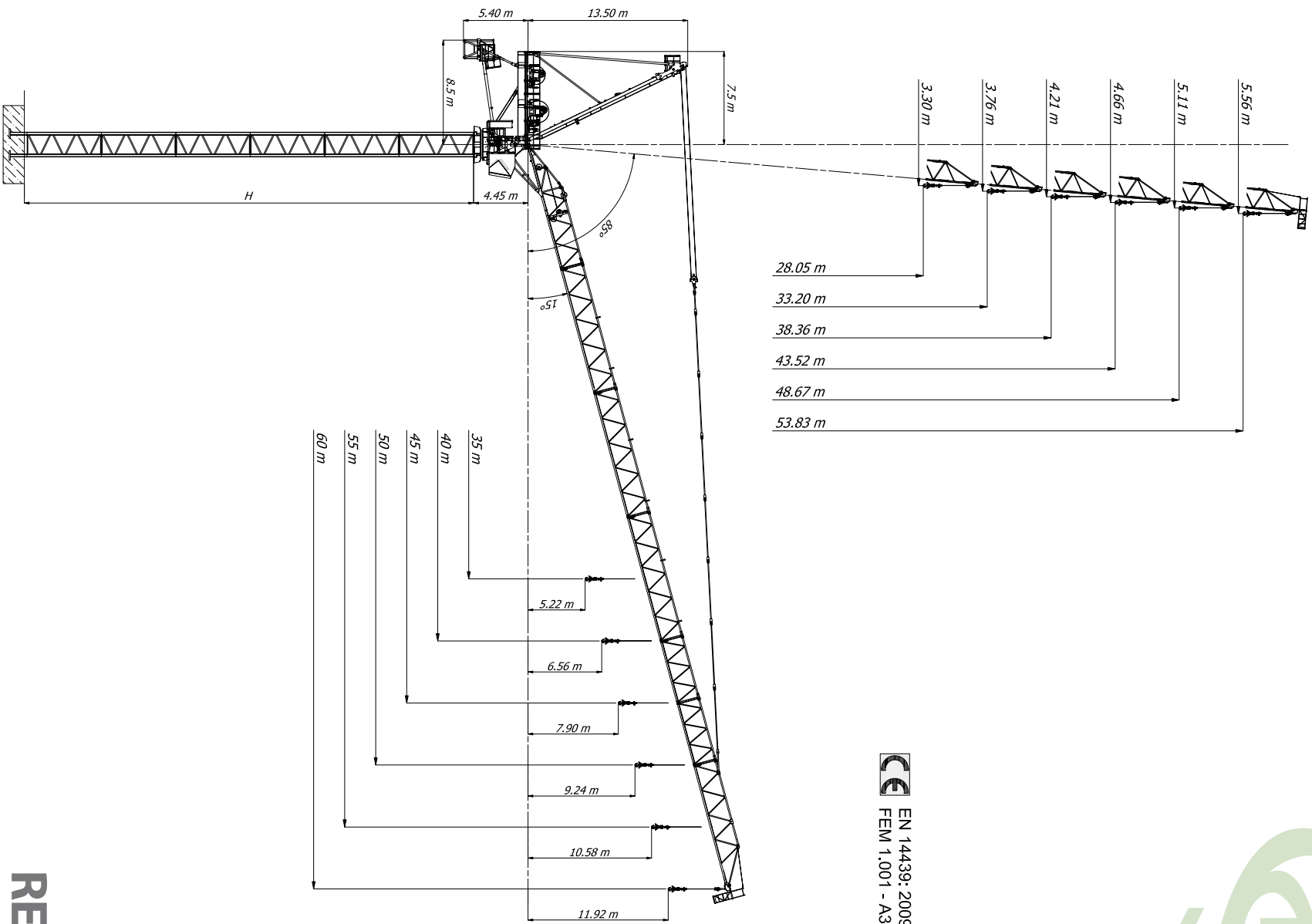
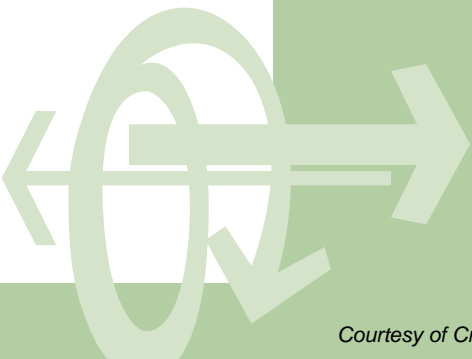
Luffing 90 kW Hoisting 110 kW : 420 kVA

Further hoist models available on request.

RTL 455

B - 24 HR23 II / III / IV / FALLS

TECHNICAL DATA SHEET



EN 14439: 2009
FEM 1.001 - A3

RTL 455 B - 24												
t	m	15	20	25	30	35	40	45	50	55	60	
12 t	29,56 m	t	12,00	12,00	12,00	11,82	10,07	8,76	7,74	6,92	6,26	5,70
12 t	34,19 m	t	12,00	12,00	12,00	12,00	11,71	10,20	9,02	8,07	7,30	
18 t	22,82 m	t	18,00	18,00	16,38	13,54	11,52	10,00	8,82	7,87	7,10	
12 t	39,13 m	t	12,00	12,00	12,00	12,00	12,00	11,73	10,38	9,30		
18 t	25,85 m	t	18,00	18,00	18,00	15,39	13,07	11,34	9,98	8,90		*
24 t	19,60 m	t	24,00	23,51	18,64	15,39	13,07	11,34	9,98	8,90		
12 t	41,01 m	t	12,00	12,00	12,00	12,00	12,00	12,00	10,90			
18 t	27,09 m	t	18,00	18,00	18,00	16,17	13,74	11,92	10,50			*
24 t	20,54 m	t	24,00	24,00	19,57	16,17	13,74	11,92	10,50			
12 t	40,00 m	t	12,00	12,00	12,00	12,00	12,00	12,00	12,00			
18 t	27,90 m	t	18,00	18,00	18,00	16,68	14,18	12,30				*
24 t	21,16 m	t	24,00	24,00	20,18	16,68	14,18	12,30				
12 t	35,00 m	t	12,00	12,00	12,00	12,00	12,00	12,00				
18 t	28,68 m	t	18,00	18,00	18,00	17,17	14,60					*
24 t	21,75 m	t	24,00	24,00	20,78	17,17	14,60					

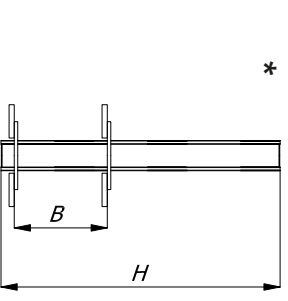
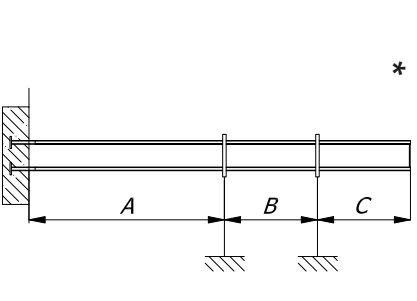
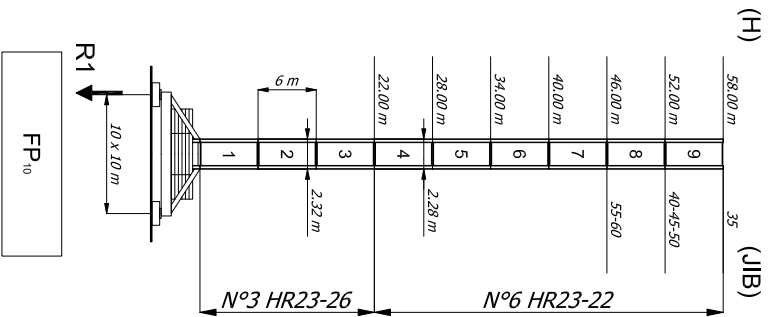
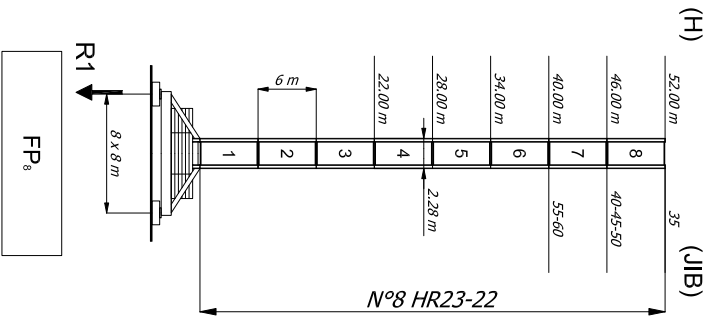
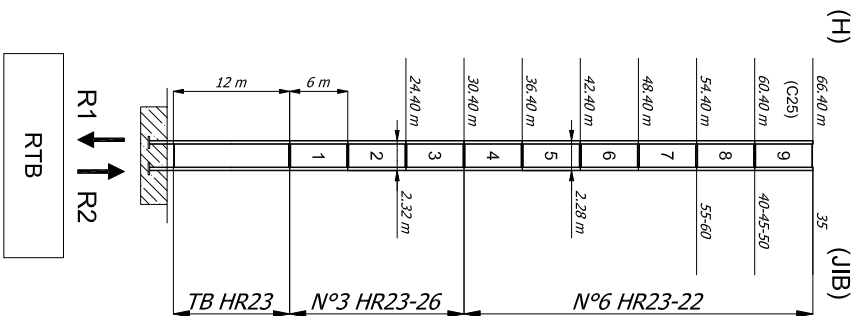
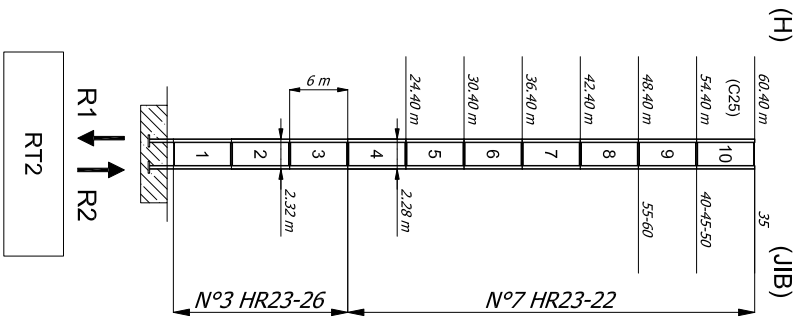
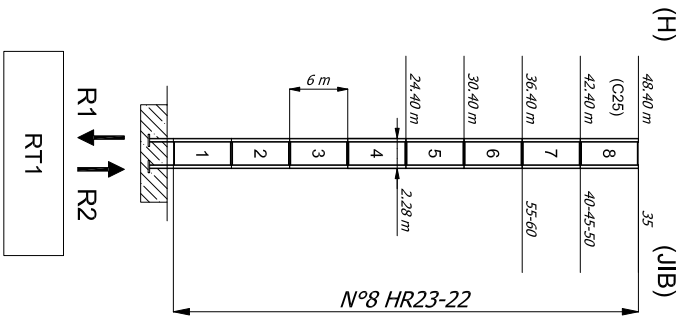
* = + 200 kg usando il bozzello singolo

RTL 455 B - 24												
lb	ft	49,21	65,62	82,02	98,43	114,83	131,23	147,64	164,04	180,45	196,85	
26455,4	96,98 ft	lb	26455	26455	26455	26059	22204	19312	17064	15265	13793	12566
26455,4	112,17 ft	lb	26455	26455	26455	26455	25819	22476	19876	17796	16094	
39683,2	74,87 ft	lb	39683	39683	36103	29854	25391	22043	19440	17357	15653	
26455,4	128,38 ft	lb	26455	26455	26455	26455	26455	25860	22884	20503		
39683,2	84,81 ft	lb	39683	39683	39683	33936	28824	24989	22007	19621		*
52910,9	64,30 ft	lb	52911	51831	41094	33936	28824	24989	22007	19621		
26455,4	134,55 ft	lb	26455	26455	26455	26455	26455	26455	26455	24030		
39683,2	88,88 ft	lb	39683	39683	39683	35649	30291	26274	23149			*
52910,9	67,39 ft	lb	52911	52911	43149	35649	30291	26274	23149			
26455,4	131,23 ft	lb	26455	26455	26455	26455	26455	26455	26455			
39683,2	91,54 ft	lb	39683	39683	39683	36773	31255	27117				*
52910,9	69,42 ft	lb	52911	52911	44498	36773	31255	27117				
26455,4	114,83 ft	lb	26455	26455	26455	26455	26455	26455				
39683,2	94,09 ft	lb	39683	39683	39683	37861	32187					*
52910,9	71,39 ft	lb	52911	52911	45803	37861	32187					

* = + 441 lb using single block

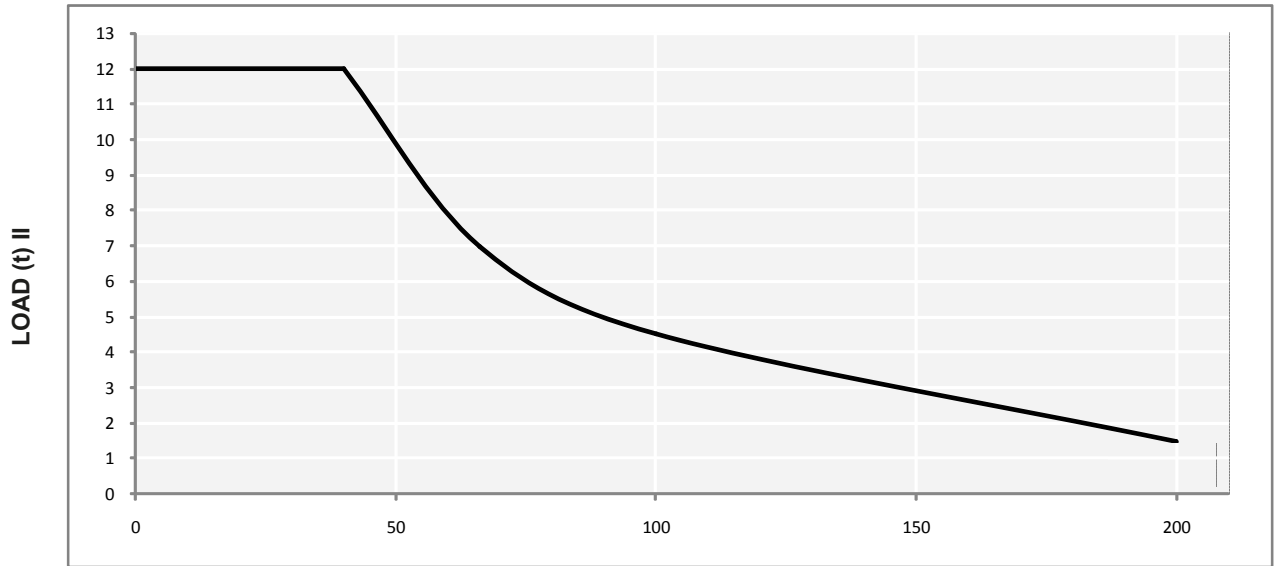
Hoisting rope weight not included into the above chart - reduce the lifting performance with the following amount dependig on final crane height:

Rope weight:		
II FALL	3,196 kg/m →	2,15 lb/ft
III FALL	4,794 kg/m →	3,22 lb/ft
IV FALL	6,392 kg/m →	4,30 lb/ft



* Please ask tech. Dept.
(C25) FEM 1.004 out of service wind conditions
Different height and tower combinations are available - please consult us

90 HVF 120



HOISTING

			t	m/min		kW	
	90 HVF 120	II	12	0	→	40	90
			7	0	→	66	
			4,5	0	→	100	
			1,5	0	→	200	
		III	18	0	→	26	
			10,5	0	→	44	
			6,7	0	→	66	
			2,2	0	→	133	
		IV	24	0	→	20	
			14	0	→	33	
			9	0	→	50	
			3	0	→	100	

10



Hoisting Winch 90 kW

Max rope on drum: 970 (1150 optional)



Luffing Winch 90 kW

1.9 min



Slewing 2 x 14 kW

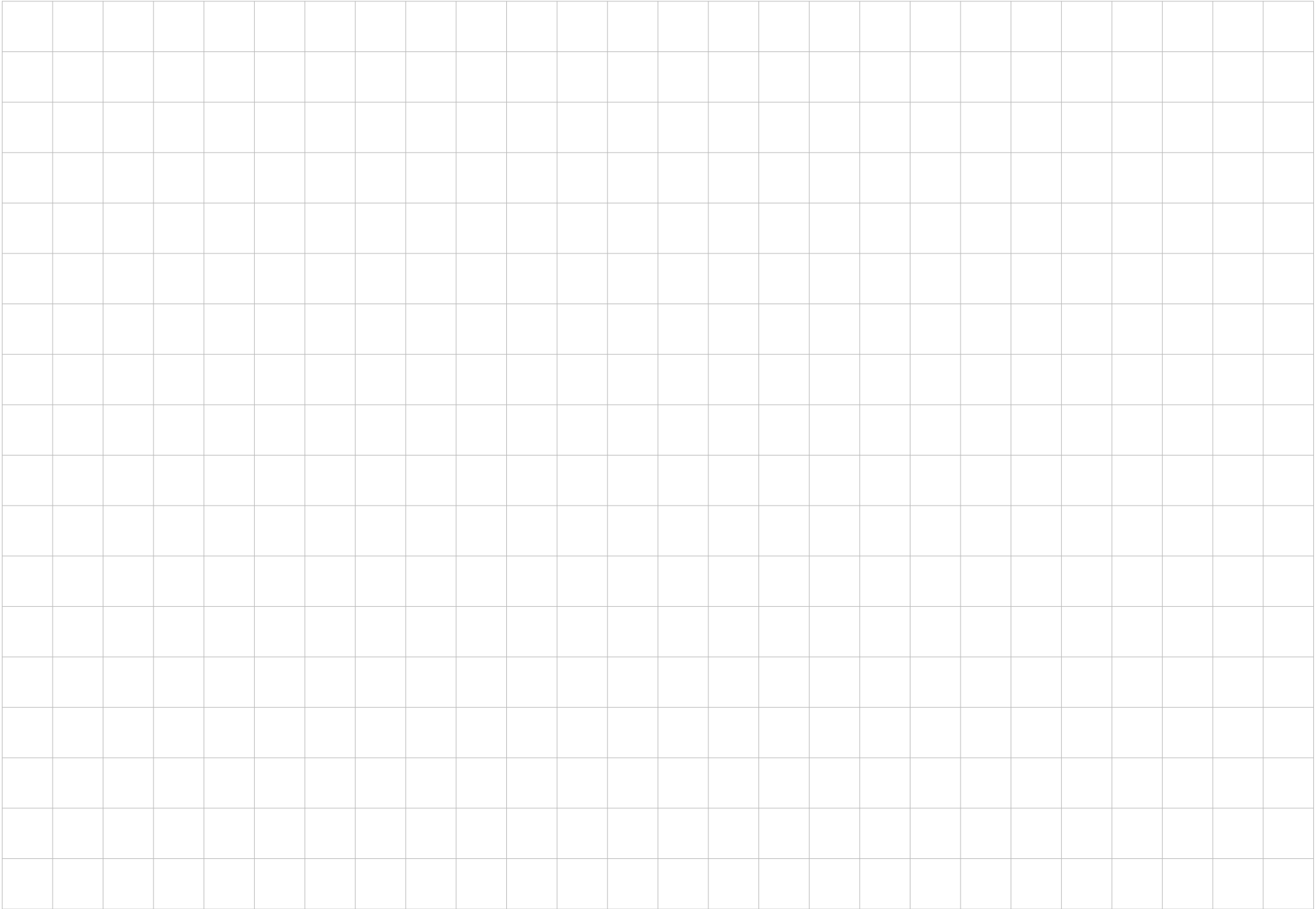
0.7 rpm.



Machine rating

Luffing 90 kW Hoisting 90 kW : **360 kVA**

Further hoist models available on request.





RECOM S.R.L.

via Vittorio Veneto 158/b
32100 Belluno | BL | Italy
T. +39 0437 1840396
info@recomcranes.it
www.recomcranes.it

