

# 3300 Series

## product guide



### features

- 4 models ...
  - 3330F:** 8.5T (7.7mt) 3-section boom with 25 ft. 2 in. (7.6m) Tip Height
  - 3330FL:** 8.5T (7.7mt) 3-section boom with 33 ft. 6 in. (10.2m) Tip Height
  - 3339:** 9.0T (8.1mt) 3-section boom with 38 ft. 2 in. (11.6m) Tip Height
  - 3340B:** 10.5T (9.5mt) 3-section boom with 38 ft. 2 in. (11.6m) Tip Height
- 6 ft. (1.8m) fixed extension (3330F / FL) and 12 ft. (3.6m) offsettable swingaway extension (3339 & 3340B)
- 70 bhp (52.2 kW) GM EFI dual fuel engine or 99 bhp (73.8 kW) Cummins diesel engine

### contents

|                |           |
|----------------|-----------|
| Features       | <b>2</b>  |
| Specifications | <b>3</b>  |
| <b>3330F</b>   |           |
| Dimensions     | <b>5</b>  |
| Range Diagram  | <b>6</b>  |
| Load Chart     | <b>7</b>  |
| <b>3330FL</b>  |           |
| Dimensions     | <b>8</b>  |
| Range Diagram  | <b>9</b>  |
| Load Chart     | <b>10</b> |
| <b>3339</b>    |           |
| Dimensions     | <b>11</b> |
| Range Diagram  | <b>12</b> |
| Load Chart     | <b>13</b> |
| <b>3340B</b>   |           |
| Dimensions     | <b>14</b> |
| Range Diagram  | <b>15</b> |
| Load Chart     | <b>16</b> |

# features

2



- Single position oblique style outriggers
- Narrow width for inside aisle way usage



**Standard:** Cummins QSB 3.3L turbo-charged diesel rated @ 99 bhp (73.8kW) @ 2600 rpm.



- Standard:** Open air cab shell w/overhead safety glass
- Optional:** Closed cab with hinged door, heater, and defroster



- Standard:** 21 ft. (6.4m) main boom on the 3330F  
30 ft. (9.1m) main boom on the 3330FL  
32 ft. 10 in. (10.0m) main boom on the 3339 & 3340B
- Optional:** Manual 4th main boom section adds 10 ft. (3.0m) additional main boom length on 3330F and 3330FL only.



- Standard:** 4-wheel coordinated steer
- Optional:** 2-wheel, 4-wheel, and crab steer (std. on 3339)
- Standard:** 2-wheel, 4-wheel, and crab steer with self alignment (3340B)

## Superstructure

### Boom

3330F: 9 ft. 8 in. – 21 ft. 2 in. (2.9m – 6.5m) three- section full power boom.

Maximum tip height: 25 ft. 2 in. (7.6m)

3330FL: 12 ft. 8 in. – 30 ft. 2 in. (3.8m – 9.2m) three- section full power boom.

Maximum tip height: 33 ft. 6 in. (10.2m)

3339 & 3340B: 13 ft. 10 in. – 32 ft. 10 in. (4.2m – 10.0m) three- section full power boom.

Maximum tip height: 38 ft. 2 in. (11.6m)

### \*Optional Boom

3330F & 3330FL: Manual 4th main boom fly section

### \*Boom Extension

3330F & 3330FL: 6 ft. (1.8m) fixed pin on extension

3339 & 3340B: 12 ft. (3.6m) offsettable extension  
12-18 ft. (3.6-5.4m) telescopic offsettable extension

### Boom Nose

3330F / FL: Single sheave non-pivoting

3339 & 3340B only: Single sheave, 3-position (0°, + 30°, + 80°) pivoting boom nose for minimizing head space requirements.

Lowers head height 10.5 in. (0.26m) when nose is pivoted fully forward.

### Boom Elevation

Single double acting hydraulic cylinder with integral holding valve.

Elevation: 0° to 60° for the 3330F & 3330FL  
0° to 72° for the 3339 & 3340B

### Anti-Two Block Device

Standard anti-two block device, when activated, provides an audible warning to the crane operator and disengages all crane functions whose movement can cause two-blocking.

### Load Indicator

A simple, effective, and easy to use load indicating system used in conjunction with the anti-two block system to assist the operator in efficient operation of the unit within the limits of the load chart. The display panel displays the hook load and warns the operator when a preset load capacity is exceeded. The warning is an audible alarm. In conjunction with the load display panel (receiver), there is a wireless transmitter and load sensing pin attached to the boom head that transmits the hook load to the display panel.

### \*Rated Capacity Limiter (RCL)

Similar to the Load Indicator, but stops the telescope out and boom lift down function when a load limit is exceeded. Uses a similar display panel with the addition of displaying boom angle and boom length read outs on the panel.

### \*Load Moment Indicator (LMI)

Digital display of boom angle, boom length, boom radius, capacity, and allows for operator in-put to set the limits based on load chart. Displays color coded light bar and audible alarm with function cutout if load exceeds entered parameters.

### Swing

Ball bearing swing circle with 360° continuous rotation. Hydraulic driven worm gear and pinion.

Maximum speed: 2.05 rpm

### Hydraulic System

3330F & 3330FL: (2) gear pumps

3339 & 3340B: Variable displacement piston pump and piggyback gear pump.

Combined flow: 28.5gpm (107.9Lpm)

Maximum system operating pressure: 3600 psi

3330F & 3330FL: Six section valve bank mounted in dash panel with direct mechanical linkage for low effort lever control.

3339 & 3340B: Six section valve bank chassis mounted; operated via dash mounted, pilot pressure hydraulic joysticks.

Return line filter with full flow by-pass protection and service indicator.

23.5 gallon (89 L) hydraulic reservoir with sight level gauge and steel side plating to guard against side impact damage.

### Hoist Specifications

3330F / FL: Worm drive with counter-balance valving. Equal speed power up and down.

3339 & 3340B: Piston motor drive w/spring applied/hydraulic released brake.

Drum Diameter:

|               |                   |
|---------------|-------------------|
| 3330F / FL:   | 9.69 in. (0.24m)  |
| 3339 & 3340B: | 10.63 in. (0.27m) |

Maximum Single Line Pull:

|               |                     |
|---------------|---------------------|
| 3330F / FL:   | 10,700lb (4 854kg)  |
| 3339 & 3340B: | 14,000lb (6 350 kg) |

Maximum Single Line Speed:

|               |                      |
|---------------|----------------------|
| 3330F / FL:   | 88 FPM (26.8m / min) |
| 3339 & 3340B: | 120FPM (36.6m / min) |

Maximum Permissible Single Line Pull:

|                                   |                    |
|-----------------------------------|--------------------|
| 3330F / FL :                      | 8,500lb (3 855 kg) |
| (1/2" [12.7mm] Python Ultra XIPS) |                    |
| 3339 & 3340B:                     | 10,000lb (4 536kg) |
| (9/16" [14.0mm] EEIPS)            |                    |

Rope Length :

|                              |                 |
|------------------------------|-----------------|
| 3330F / FL: (3-section boom) | 97 ft. (29.6m)  |
| (4-section boom)             | 130 ft. (39.6m) |
| 3339 & 3340B:                | 120 ft. (36.6m) |

\*Denotes optional equipment

# specifications

4

## Carrier



### Frame

High strength alloy steel constructed with integral outrigger housings; front and rear lifting, towing, and tie-down lugs. 42 ft.<sup>2</sup> carrydeck size with 14,000 lb (6 350kg) carrying capacity (3330F / FL / 3339) and 17,000 lb (7 711kg) carrying capacity (3340B). Deck coated with anti-skid treatment.



### Outriggers

3330F, 3330FL & 3339: Front and rear oblique type beams at all four corners with integral holding valves. Outrigger pads form an integral part of the beam.

3340B: Hydraulic telescoping beam with oblique type jack provides extended and down and retracted and down lifting capacities. Integral holding valves on both beam and jack.



### Outrigger Controls

3330F, 3330FL & 3339: Lever controls located on dash panel which operate the beams in pairs from side to side.

3340B: Two switch operation mounted on dash panel. One -3- position rocker switch to select all beams / jacks, left beams / jacks only, or right beams / jacks only. Separate -4- way toggle switch to activate beams out / in and jacks down / up. Level bubble indicator located inside operators compartment.

\*Independent outrigger controls available as an option.



### Std. Engine (Tier III)

Cummins QSB 3.3L turbo-charged diesel rated @ 99 bhp (73.8kW) @ 2600 rpm.



### \*Optional Engine

G.M. 3.0L EFI dual fuel (gasoline / L.P.) rated @ 70 bhp (52.2kW) @ 2600 rpm.



### Operators Control Station

Frame mounted, open air style control station with cab shell. Includes all crane functions, driving controls, and overhead safety glass. Other standard equipment include a durable weather resistant seat with seat belt, hourmeter, sight level bubble, and fire extinguisher. The dash panel includes engine oil pressure gauge, engine water temperature gauge, fuel gauge, transmission low oil and high temperature warning lights, low battery warning light, and brake system low pressure warning light. The LSI (load indicator) receiver is mounted to the top of the dash and provides warning for A2B and exceeded load capacity.



### \*Operators Control Station Enclosed

Includes the standard cab shell with the addition of front and rear glass. Hinged full door with sliding glass.

Front windshield wiper and heater and defroster is included.



### Fuel Tank Capacity

18.5 gallon (70 L) all steel construction with steel side plate to guard against side impact.



### Electrical System

One 12V maintenance free battery, 820CCA @ 0°.  
Jump start connections  
63 amp alternator.



### Drive

4 x 2 – Front axle drive with planetary hubs and limited slip Differential.



### Steer

3330F / FL: 2-wheel, 4-wheel steer

3339: 2-wheel, 4-wheel w/crab steer

3340B: 2-wheel, 4-wheel, and crab steer w/ electronic self alignment.



### Transmission

3330F / FL & 3339: Clark synchromesh -4- speeds forward and reverse with stalk mounted forward/reverse selector.

3340B: Clark powershift -4- speeds forward and reverse. Stalk mounted shifter on left side of steering column.



### Axles

Front: Carraro planetary drive/steer with internal multi-wet-disc brakes and limited slip differential.

Rear: Fabricated non-drive steer with disc brakes



### Tires

10.00 x 15 14PR pneumatic



### Brakes

Hydraulic actuated internal wet-disc service brakes acting on all four wheels. A dash mounted toggle switch activates the dry disc parking brake on the transmission output yoke with a dash warning light.



### Suspension

Front: Rigid mounted to frame.

Rear: Rigid mounted to frame



### Lights

Recessed mounted, includes head, tail, rear work, stop, and turn signals.



### Maximum Speed

22 MPH (35.6km/h)



### Gradeability\*\*

3330F / FL & 3339: 57%....no load

31%....12,000lb (5 443kg) load

3340B: 68%....no load

40%....20,000lb (9 072kg) load

### G.V.W.

3330F: 13,400 lb. (6 078 kg)

3330FL: 15,180 lb (6 885 kg)

3339: 15,800 lb (7 167 kg)

3340B: 16,600 lb (7 530 kg)

### Miscellaneous Standard Equipment

Single sheave, "Quick Reeve" style hookblock;

3330F / FL 8.5T (8.0mt); 3339: 9T (8.1mt); 3340B10.5T (10mt).

Back-up alarm.

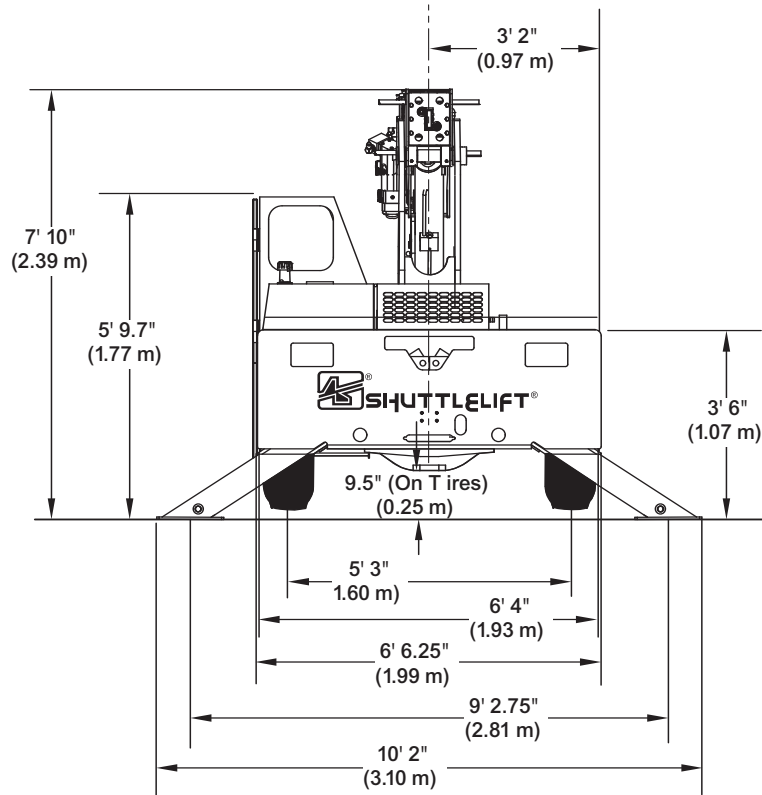
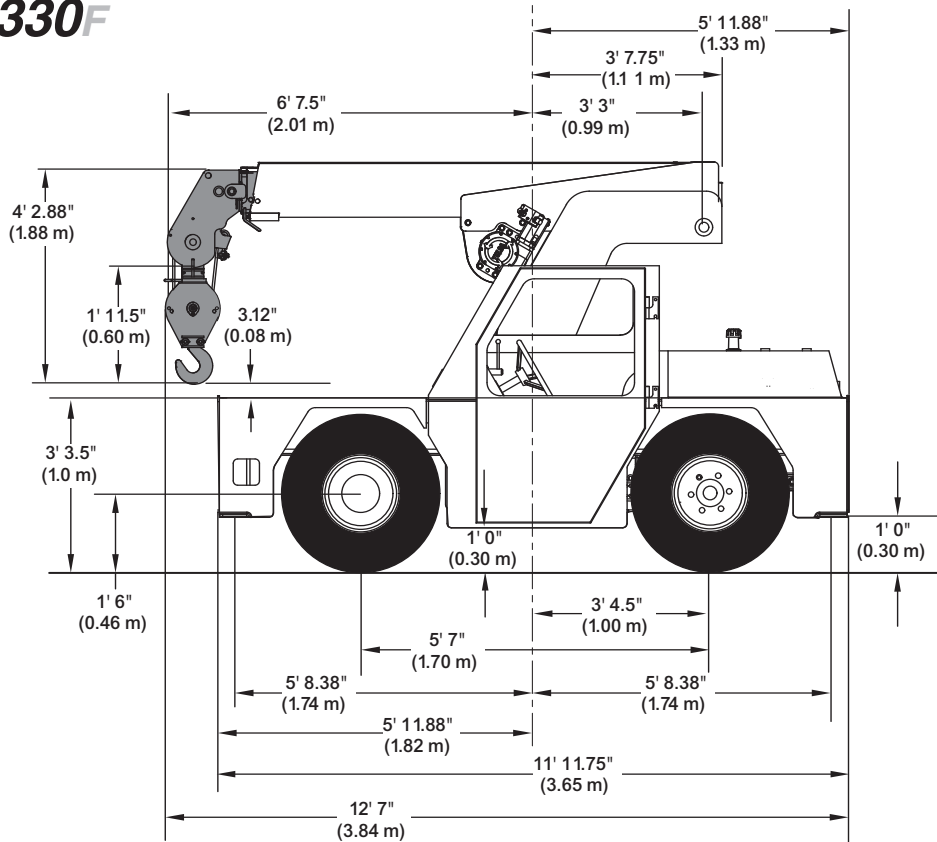
\*Denotes optional equipment

\*\*Theoretical

# dimensions

**3330F**

5



**3300 Series**

# range diagram

**3330F**

6



**3300 Series**

THIS CHART IS ONLY A GUIDE AND SHOULD NOT BE USED TO OPERATE THE CRANE. The individual crane's load chart, operating instructions and other instructional plates must be read and understood prior to operating the crane.

# load chart

## 3330F

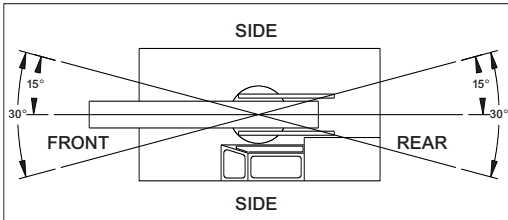
7

| RADIUS (ft) | 3-SECTION BOOM OR 4-SECTION BOOM WITH 4TH RETRACTED |       |                 |       | MAIN BOOM | RADIUS (ft) | 4-SECTION BOOM WITH 4TH EXTENDED |      |                 |      | MAIN BOOM ANGLE (deg) | JIB STRUCTURAL CAPACITIES (lbs.)                    |                                  |
|-------------|---|-------|-----------------|-------|-----------|-------------|----------------------------------|------|-----------------|------|-----------------------|---|----------------------------------|
|             | ON OUTRIGGERS (lbs)                                 |       | ON RUBBER (lbs) |       |           |             | ON OUTRIGGERS (lbs)              |      | ON RUBBER (lbs) |      |                       | 3-SECTION BOOM OR 4-SECTION BOOM WITH 4TH RETRACTED | 4-SECTION BOOM WITH 4TH EXTENDED |
|             | F/R   | 360°  | F/R             | 360°  |           |             | F/R                              | 360° | F/R             | 360° |                       |   |                                  |
| 5.0         | 17000   | 17000 | 10000           | 10000 | 5.0       | 6100        | 6100                             | 6100 | 6100            | 60   | 3500                  | 3500  |                                  |
| 6.0         | 15700   | 14400 | 10000           | 7450  | 6.0       | 6100        | 6100                             | 6100 | 6100            | 55   | 3325                  | 3325  |                                  |
| 8.0         | 12400   | 10800 | 7150            | 4400  | 8.0       | 5300        | 5300                             | 5300 | 5250            | 50   | 3150                  | 3150  |                                  |
| 10.0        | 10200   | 8600  | 4700            | 2950  | 10.0      | 4700        | 4700                             | 4700 | 3750            | 45   | 3000                  | 3000  |                                  |
| 12.0        | 8500  | 7000  | 3400            | 2175  | 12.0      | 4400        | 4400                             | 3800 | 2450            | 40   | 2875                  | 2875  |                                  |
| 14.0        | 7200  | 5400  | 2650            | 1700  | 14.0      | 4400        | 4400                             | 2900 | 1875            | 35   | 2800                  | 2800  |                                  |
| 16.0        | 6100  | 4300  | 2150            | 1325  | 16.0      | 4400        | 4400                             | 2325 | 1525            | 30   | 2700                  | 2700  |                                  |
| 18.0        | 5000  | 3550  | 1775            | 1100  | 18.0      | 4400        | 4100                             | 1900 | 1225            | 25   | 2600                  | 2600  |                                  |
| 20.0        | 2700  | 2700  | 1525            | 950   | 20.0      | 4300        | 3150                             | 1600 | 1000            | 20   | 2500                  | 2500  |                                  |
| 22.0        | 2600  | 2600  | 1350            | 825   | 22.0      | 3700        | 2700                             | 1375 | 850             | 15   | 2400                  | 2400  |                                  |
| 24.5        | 2200  | 2200  | 1150            | 675   | 24.5      | 3100        | 2300                             | 1200 | 700             | 10   | 2325                  | 2325  |                                  |
| 26.0        | -   | -     | -               | -     | 26.0      | 2700        | 2125                             | 1100 | 650             | 5    | 2250                  | 2250  |                                  |
| 28.0        | -   | -     | -               | -     | 28.0      | 2500        | 1900                             | 975  | 575             | 0    | 2200                  | 2200  |                                  |
| 30.0        | -   | -     | -               | -     | 30.0      | 2300        | 1700                             | 850  | 475             |      |                       |   |                                  |
| 31.0        | -   | -     | -               | -     | 31.0      | 2200        | 1625                             | 800  | 425             |      |                       |   |                                  |

\*LIMIT RATINGS TO 11,800 LBS WHEN 3RD SECTION IS EXTENDED ANY AMOUNT.

JIB CAPACITY IS LIMITED BY BOTH STRUCTURAL CAPACITY CHART AND MAIN CAPACITY CHART.

SHADED AREAS ARE GOVERNED BY STRUCTURAL STRENGTH. DO NOT RELY ON TIPPING.



| REDUCTION CHART |                        |                  |
|-----------------|------------------------|------------------|
|                 | FROM MAIN BOOM RATINGS | FROM JIB RATINGS |
| MAIN BLOCK      | 140 lbs                | N/A              |
| HOOK & BALL     | 100 lbs                | 100 lbs          |
| JIB, STOWED     | 0 lbs                  | N/A              |
| JIB, DEPLOYED   | 150 lbs                | 0 lbs            |

| RIGGING CHART   |                              |
|---|------------------------------|
| <p>1-PART<br/>0-8500lbs</p>   | <p>2-PART<br/>0-17000lbs</p> |
| <p>WIRE ROPE: 1/2 inch diameter<br/>Min. breaking strength 29750 lbs.</p> |                              |

- The rated loads are the maximum lift capacities as determined by operating radius, boom extension and boom angle. The operating radius is the horizontal distance from a projection of the axis of rotation to the supporting surface, before loading, to the center of vertical hoist line or tackle with load applied.
- The rated loads shown on outriggers do not exceed 85% of actual tipping. The rated loads shown on rubber do not exceed 75% of actual tipping. These ratings are based on freely suspended loads with the crane leveled, standing on a firm, uniform supporting surface. Practical working loads depend on supporting surface, operating radius and other factors affecting stability. Hazardous surroundings, climatic conditions, experience of personnel and proper training must all be taken into account by the operator.
- The weights of all load handling devices such as hooks, hook blocks, slings, etc., except the hoist rope, shall be considered as part of the load. See reduction chart.
- Ratings on outriggers are for either outriggers fully extended and down or fully retracted and down. Ratings for outriggers fully retracted and down will apply for any intermediate outrigger setting.
- Ratings on rubber depend on tire capacity, condition of tires and proper inflation pressure (100 psi). Loads on rubber may be transported at a maximum speed of 2.5 mph on a smooth hard level surface with boom retracted to the shortest length possible and centered over front.
- For operating radius not shown, use load rating of next larger radius.
- The maximum combined total boom and deck load is 12000 lbs. The maximum deck load only is 14000 lbs.
- Do not induce any external side loads to boom or jib.

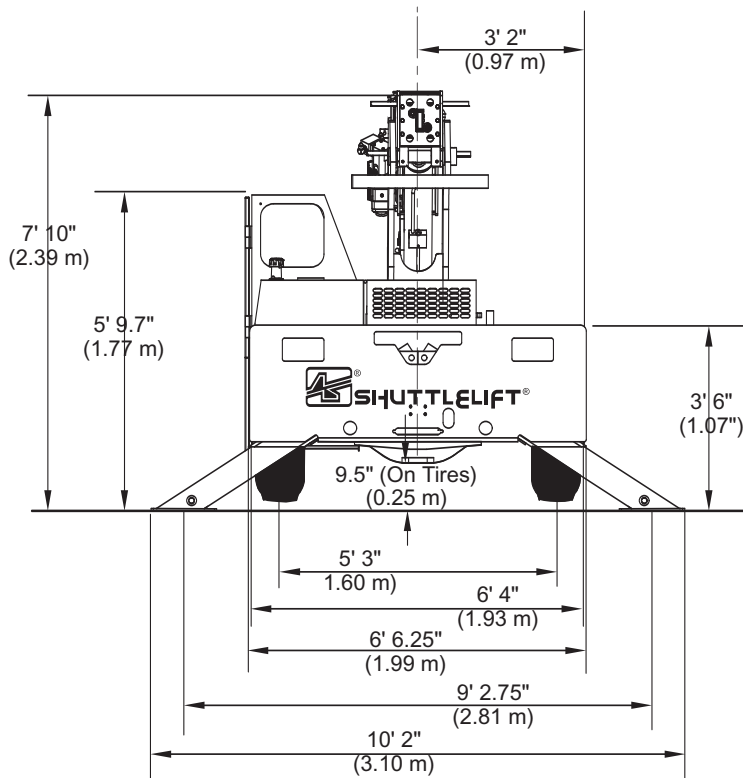
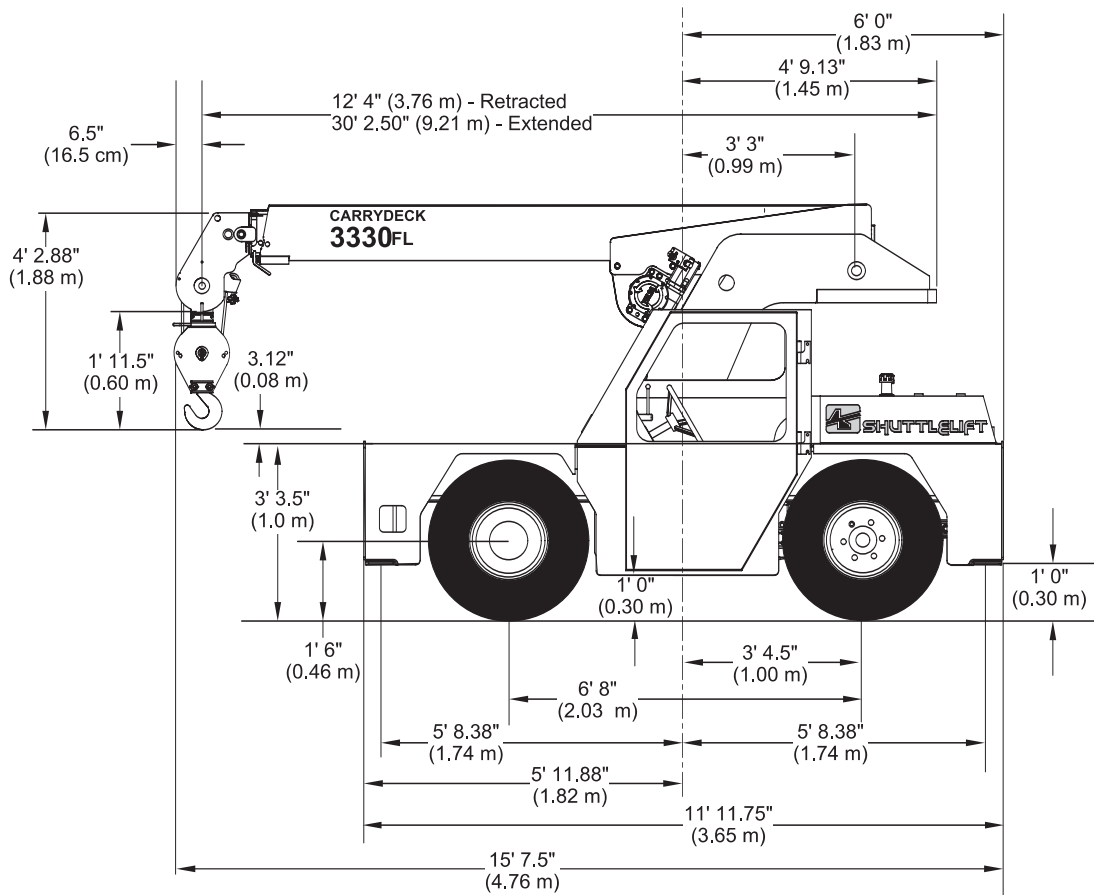
THIS CHART IS ONLY A GUIDE AND SHOULD NOT BE USED TO OPERATE THE CRANE. The individual crane's load chart, operating instructions and other instructional plates must be read and understood prior to operating the crane.

3300 Series

# dimensions

**3330FL**

8

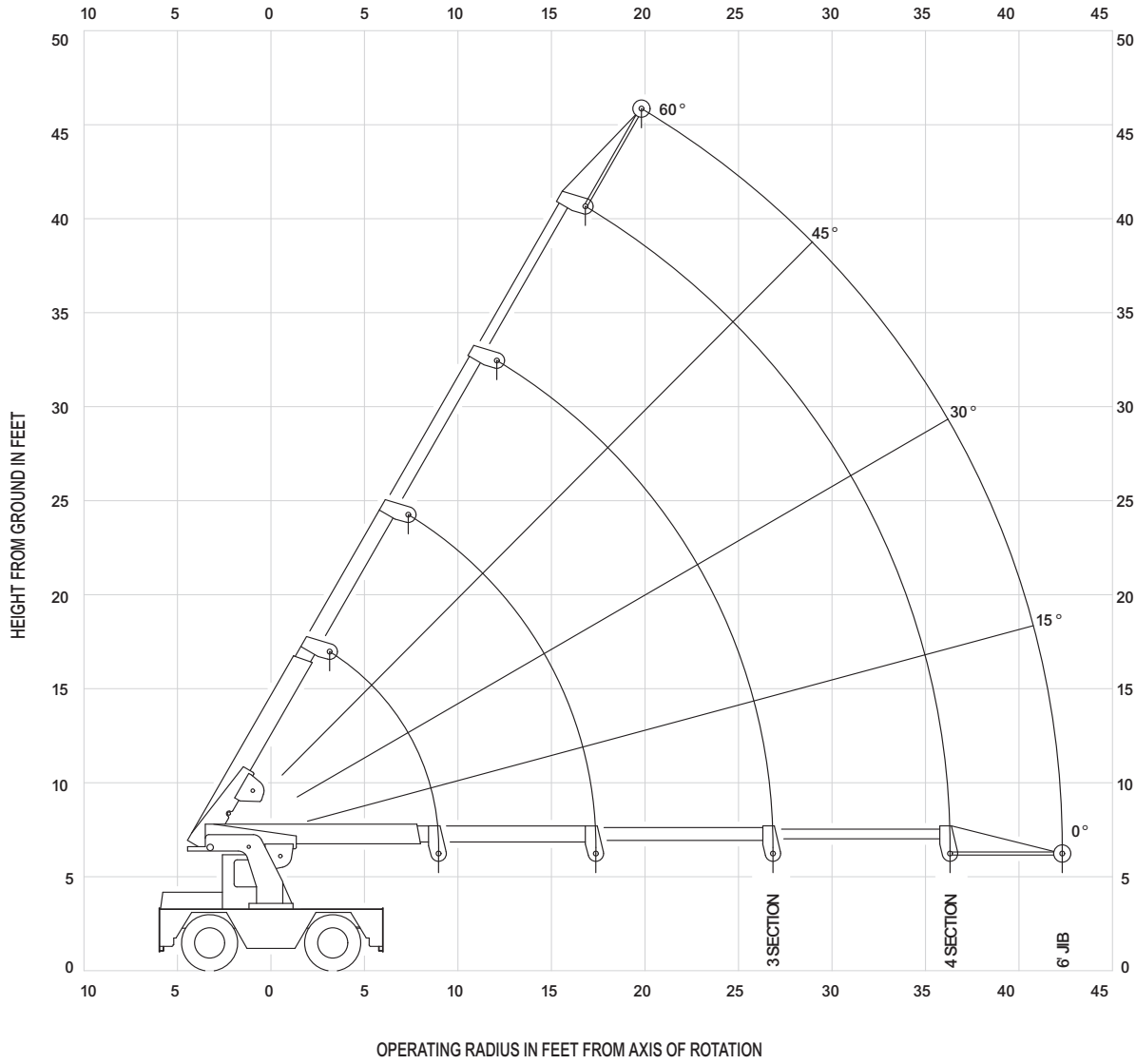


**3300 Series**



# range diagram

## 3330FL



9

3300 Series

THIS CHART IS ONLY A GUIDE AND SHOULD NOT BE USED TO OPERATE THE CRANE. The individual crane's load chart, operating instructions and other instructional plates must be read and understood prior to operating the crane.

# load chart

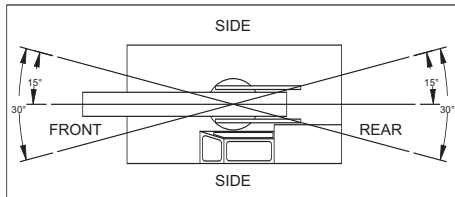
3330FL

10

| OPERATING RADIUS   | 3-SECTION BOOM OR 4-SECTION BOOM WITH 4TH RETRACTED |           |           |           | OPERATING RADIUS   | 4-SECTION BOOM WITH 4TH EXTENDED |          |           |          |
|--|---|-----------|-----------|-----------|--|----------------------------------|----------|-----------|----------|
|  | ON OUTRIGGERS                                       |           | ON RUBBER |           |  | ON OUTRIGGERS                    |          | ON RUBBER |          |
|  | FRONT   | 360°      | FRONT     | 360°      |  | FRONT                            | 360°     | FRONT     | 360°     |
| 5.0 ft   | 17000 lbs   | 17000 lbs | 10000 lbs | 10000 lbs | 5.0 ft   | -                                | -        | -         | -        |
| 6.0 ft   | 15700 lbs   | 14400 lbs | 9500 lbs  | 8200 lbs  | 6.0 ft   | -                                | -        | -         | -        |
| 8.0 ft   | 12400 lbs   | 10800 lbs | 8000 lbs  | 5600 lbs  | 8.0 ft   | 4900 lbs                         | 4900 lbs | 4900 lbs  | 4900 lbs |
| 10.0 ft  | 10200 lbs   | 8500 lbs  | 5400 lbs  | 3800 lbs  | 10.0 ft  | 4300 lbs                         | 4300 lbs | 4300 lbs  | 4250 lbs |
| 12.0 ft  | 8500 lbs  | 6950 lbs  | 3800 lbs  | 2700 lbs  | 12.0 ft  | 3800 lbs                         | 3800 lbs | 3800 lbs  | 3300 lbs |
| 14.0 ft  | 7100 lbs  | 5800 lbs  | 2750 lbs  | 1950 lbs  | 14.0 ft  | 3400 lbs                         | 3400 lbs | 3400 lbs  | 2600 lbs |
| 16.0 ft  | 6000 lbs  | 4650 lbs  | 2150 lbs  | 1450 lbs  | 16.0 ft  | 3100 lbs                         | 3100 lbs | 2900 lbs  | 2100 lbs |
| 18.0 ft  | 5200 lbs  | 3800 lbs  | 1800 lbs  | 1150 lbs  | 18.0 ft  | 2900 lbs                         | 2900 lbs | 2400 lbs  | 1700 lbs |
| 20.0 ft  | 4450 lbs  | 3150 lbs  | 1500 lbs  | 950 lbs   | 20.0 ft  | 2900 lbs                         | 2900 lbs | 1950 lbs  | 1350 lbs |
| 22.0 ft  | 3800 lbs  | 2700 lbs  | 1300 lbs  | 800 lbs   | 22.0 ft  | 2900 lbs                         | 2900 lbs | 1600 lbs  | 1050 lbs |
| 24.0 ft  | 3300 lbs  | 2350 lbs  | 1100 lbs  | 650 lbs   | 24.0 ft  | 2900 lbs                         | 2650 lbs | 1350 lbs  | 850 lbs  |
| 26.0 ft  | 2900 lbs  | 2050 lbs  | 950 lbs   | 550 lbs   | 26.0 ft  | 2900 lbs                         | 2300 lbs | 1100 lbs  | 700 lbs  |
| 27.0 ft  | 2750 lbs  | 1900 lbs  | 850 lbs   | 500 lbs   | 27.0 ft  | 2900 lbs                         | 2150 lbs | 1000 lbs  | 650 lbs  |
| 28.0 ft  | 2525 lbs  | 1775 lbs  | 800 lbs   | 475 lbs   | 28.0 ft  | 2750 lbs                         | 2000 lbs | 950 lbs   | 600 lbs  |
| 30.0 ft  | 2275 lbs  | 1600 lbs  | 700 lbs   | 400 lbs   | 30.0 ft  | 2450 lbs                         | 1800 lbs | 800 lbs   | 500 lbs  |
| 32.0 ft  | 2025 lbs  | 1425 lbs  | 600 lbs   | 325 lbs   | 32.0 ft  | 2200 lbs                         | 1600 lbs | 700 lbs   | 400 lbs  |
| 33.5 ft  | 1875 lbs  | 1300 lbs  | 525 lbs   | 275 lbs   | 33.5 ft  | 1950 lbs                         | 1400 lbs | 625 lbs   | 325 lbs  |
| 36.0 ft  | -   | -         | -         | -         | 36.0 ft  | 1750 lbs                         | 1250 lbs | 550 lbs   | 250 lbs  |
| 38.0 ft  | -   | -         | -         | -         | 38.0 ft  | 1625 lbs                         | 1125 lbs | 475 lbs   | 225 lbs  |
| 40.0 ft  | -   | -         | -         | -         | 40.0 ft  | 1475 lbs                         | 1025 lbs | 400 lbs   | 200 lbs  |
| 42.0 ft  | -   | -         | -         | -         | 42.0 ft  | 1350 lbs                         | 925 lbs  | 350 lbs   | 150 lbs  |
| 43.0 ft  | -   | -         | -         | -         | 43.0 ft  | 1300 lbs                         | 875 lbs  | 325 lbs   | 125 lbs  |
| JIB STRUCTURAL CAPACITIES @ MAIN BOOM ANGLE (ALSO DO NOT EXCEED CAPACITIES IN ABOVE CHART) |   |           |           |           | JIB STRUCTURAL CAPACITIES @ MAIN BOOM ANGLE (ALSO DO NOT EXCEED CAPACITIES IN ABOVE CHART) |                                  |          |           |          |
| 0°   |   | 15°       |           | 30°       |  | 45°                              |          | 60°       |          |
| 2200 lbs   |   | 2400 lbs  |           | 2700 lbs  |  | 3000 lbs                         |          | 3500 lbs  |          |
| 2000 lbs   |   | 2100 lbs  |           | 2200 lbs  |  | 2600 lbs                         |          | 3400 lbs  |          |

SHADED AREAS ARE GOVERNED BY STRUCTURAL STRENGTH, DO NOT RELY ON TIPPING.

OPERATION OF THIS EQUIPMENT IN EXCESS OF RATING CHARTS AND DISREGARD OF INSTRUCTIONS IS DANGEROUS AND VOIDS WARRANTY.



| REDUCTION CHART |                        |                  |
|-----------------|------------------------|------------------|
|                 | FROM MAIN BOOM RATINGS | FROM JIB RATINGS |
| MAIN BLOCK      | 140 lbs                | N/A              |
| HOOK & BALL     | 100 lbs                | 100 lbs          |
| JIB, STOWED     | 0 lbs                  | N/A              |
| JIB, DEPLOYED   | 150 lbs                | 0 lbs            |

| RIGGING CHART   |                              |
|---|------------------------------|
| <p>1-PART<br/>0-8500lbs</p>   | <p>2-PART<br/>0-17000lbs</p> |
| <p>WIRE ROPE: 1/2 inch diameter<br/>Min. breaking strength 29750 lbs.</p> |                              |

- The rated loads are the maximum lifting capacities as determined by operating radius only. Any combination of boom lengths and angles may be used to obtain operating radius. The operating radius is the horizontal distance from a projection of the axis of rotation to the supporting surface, before loading, to the center of vertical hoist line or tackle with load applied.
- The rated loads shown on outriggers do not exceed 85% of actual tipping. The rated loads shown on rubber do not exceed 75% of actual tipping. These ratings are based on freely suspended loads with the machine leveled, standing on a firm, uniform supporting surface. Practical working loads depend on supporting surface, operating radius, and other factors affecting stability. Hazardous surroundings, experience of personnel and proper handling must all be taken into account by the operator.
- The weights of all load handling devices, such as hooks, hook blocks, slings, etc., except the hoist rope, shall be considered as part of the load. See reduction chart.
- Ratings on outriggers are with outriggers fully extended.
- Ratings on rubber depend on tire capacity, condition of tires, and proper inflation pressure (100 psi). Loads on rubber may be transported at a maximum speed of 2.5 mph on a smooth hard level surface with boom retracted to the shortest length possible and centered over front.
- For operating radius not shown, use load rating of the next larger radius.
- The maximum combined total boom and deck load is 12,000 lbs. For deck loads only, the maximum load is 14,000 lbs with 10:00 x 15 tires. Tire inflation at 100 psi.
- Do not induce external side loads to boom or jib.

THIS CHART IS ONLY A GUIDE AND SHOULD NOT BE USED TO OPERATE THE CRANE. The individual crane's load chart, operating instructions and other instructional plates must be read and understood prior to operating the crane.

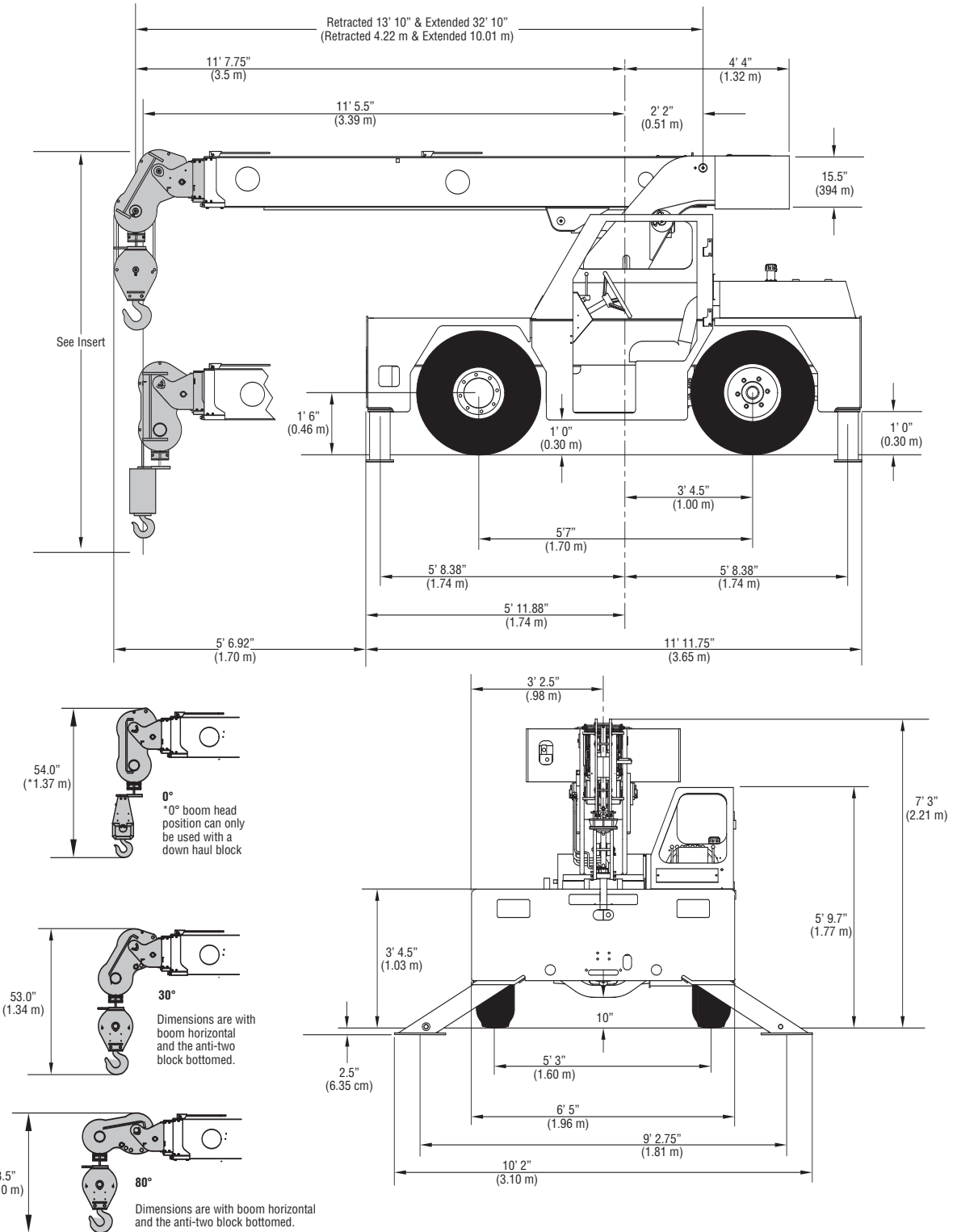
3300 Series



# dimensions

## 3339

## 11



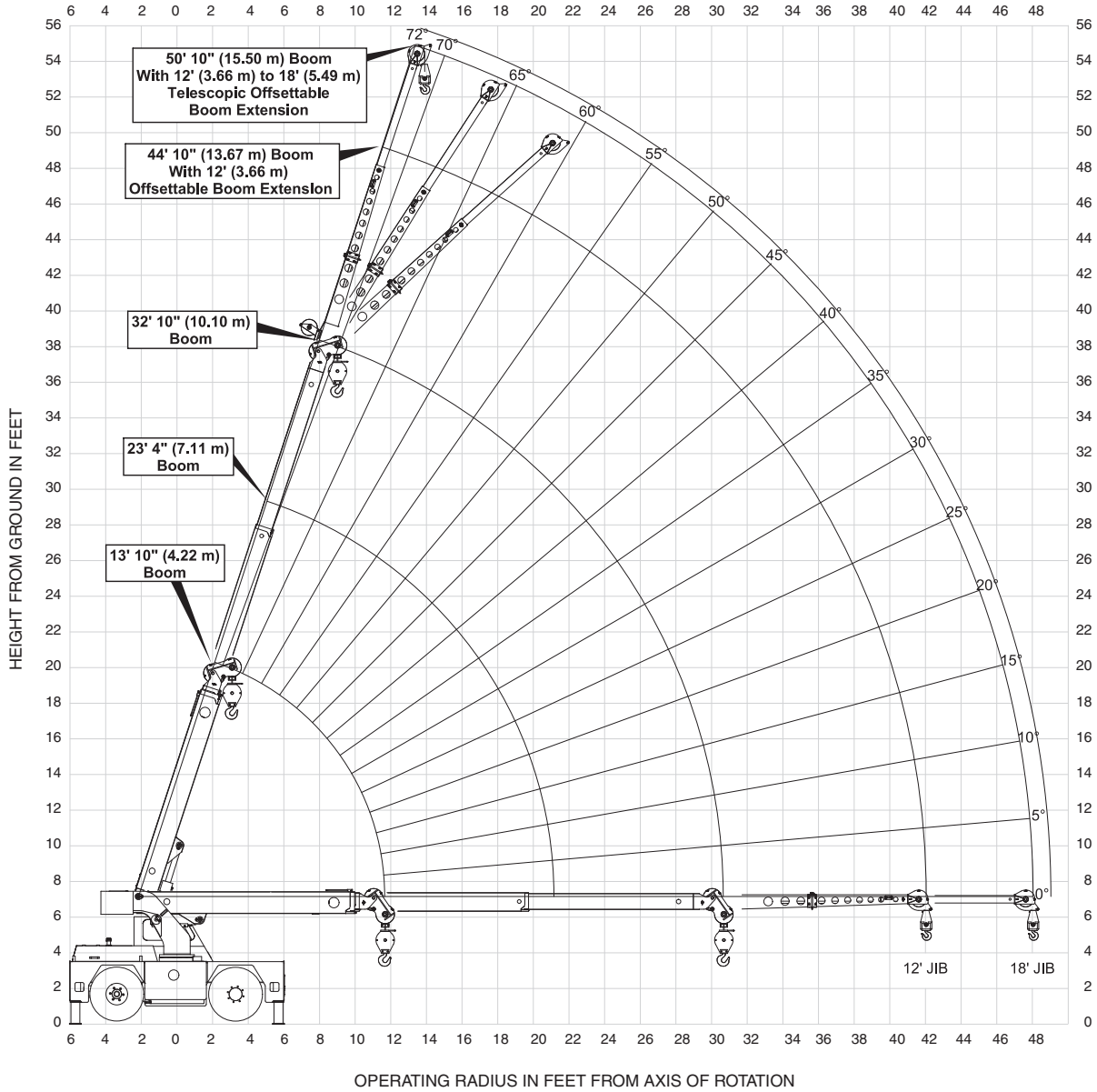
# 3300 Series

THIS CHART IS ONLY A GUIDE AND SHOULD NOT BE USED TO OPERATE THE CRANE. The individual crane's load chart, operating instructions and other instructional plates must be read and understood prior to operating the crane.

# range diagram

## 3339

12



3300 Series

THIS CHART IS ONLY A GUIDE AND SHOULD NOT BE USED TO OPERATE THE CRANE. The individual crane's load chart, operating instructions and other instructional plates must be read and understood prior to operating the crane.

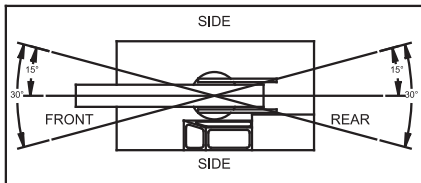
# load chart

## 3339

## 13

|           | RADIUS (ft) | ON OUTRIGGERS (lbs) |               |                |               | ON RUBBER (lbs) |          |     |
|-----------|-------------|---------------------|---------------|----------------|---------------|-----------------|----------|-----|
|           |             | F/R                 |               | 360°           |               | F/R             | 360°     |     |
|           |             | BOOM RETRACTED      | BOOM EXTENDED | BOOM RETRACTED | BOOM EXTENDED | ANY BOOM        | ANY BOOM |     |
| MAIN BOOM | 5.0         | 18000               | 14700         | 18000          | 14700         | 11500           | 9400     |     |
|           | 6.0         | 15700               | 14400         | 15000          | 14400         | 10000           | 7500     |     |
|           | 8.0         | 12200               | 12200         | 11400          | 11400         | 8100            | 5040     |     |
|           | 10.0        | 10200               | 10200         | 9100           | 9100          | 5480            | 3530     |     |
|           | 12.0        | 8400                | 8400          | 7600           | 7600          | 3920            | 2590     |     |
|           | 14.0        | -                   | 7200          | -              | 6500          | 3040            | 1970     |     |
|           | 16.0        | -                   | 6200          | -              | 5310          | 2420            | 1560     |     |
|           | 18.0        | -                   | 5400          | -              | 4340          | 1970            | 1250     |     |
|           | 20.0        | -                   | 4830          | -              | 3610          | 1640            | 1020     |     |
|           | 22.0        | -                   | 4000          | -              | 3030          | 1370            | 850      |     |
|           | 24.0        | -                   | 3480          | -              | 2590          | 1160            | 710      |     |
|           | 26.0        | -                   | 3020          | -              | 2250          | 990             | 590      |     |
|           | 28.0        | -                   | 2680          | -              | 2010          | 830             | 490      |     |
|           | 31.0        | -                   | 2270          | -              | 1740          | 650             | 360      |     |
|           | JIB         | 34.0                | -             | 1960           | -             | 1500            | 510      | 250 |
|           |             | 36.0                | -             | 1770           | -             | 1350            | 430      | 180 |
| 38.0      |             | -                   | 1590          | -              | 1200          | 350             | 130      |     |
| 40.0      |             | -                   | 1420          | -              | 1050          | 280             | 80       |     |
| 42.0      |             | -                   | 1270          | -              | 930           | 210             | 60       |     |
| 44.0      |             | -                   | 1200          | -              | 880           | 190             | 40       |     |
| 46.0      |             | -                   | 1160          | -              | 820           | 170             | 20       |     |
| 48.0      |             | -                   | 1110          | -              | 760           | 140             | 0        |     |

| MAIN BOOM ANGLE (deg) | JIB STRUCTURAL CAPACITIES (lbs) |            |            |           |            |            |
|-----------------------|---------------------------------|------------|------------|-----------|------------|------------|
|                       | 12 FT JIB                       |            |            | 18 FT JIB |            |            |
|                       | 0° OFFSET                       | 15° OFFSET | 30° OFFSET | 0° OFFSET | 15° OFFSET | 30° OFFSET |
| 72                    | 7500                            | 5100       | 3500       | 4000      | 3300       | 2300       |
| 70                    | 7000                            | 4800       | 3400       | 3750      | 3100       | 2200       |
| 65                    | 5700                            | 4100       | 3100       | 3200      | 2700       | 2000       |
| 60                    | 4500                            | 3500       | 2800       | 2800      | 2400       | 1850       |
| 55                    | 3500                            | 3000       | 2550       | 2450      | 2150       | 1700       |
| 50                    | 2800                            | 2500       | 2300       | 2150      | 1950       | 1600       |
| 45                    | 2300                            | 2200       | 2000       | 1900      | 1750       | 1500       |
| 40                    | 2000                            | 1900       | 1800       | 1700      | 1600       | 1400       |
| 35                    | 1775                            | 1675       | 1600       | 1525      | 1450       | 1350       |
| 30                    | 1600                            | 1500       | 1400       | 1400      | 1300       | 1300       |
| 25                    | 1450                            | 1400       | -          | 1275      | 1200       | -          |
| 20                    | 1350                            | 1350       | -          | 1175      | 1125       | -          |
| 15                    | 1300                            | 1300       | -          | 1100      | 1100       | -          |
| 10                    | 1275                            | -          | -          | 1050      | -          | -          |
| 5                     | 1225                            | -          | -          | 1025      | -          | -          |
| 0                     | 1200                            | -          | -          | 1000      | -          | -          |



| REDUCTION CHART |                        |                  |
|-----------------|------------------------|------------------|
|                 | FROM MAIN BOOM RATINGS | FROM JIB RATINGS |
| MAIN BLOCK      | 140 lbs                | N/A              |
| HOOK & BALL     | 100 lbs                | 100 lbs          |
| JIB, STOWED     | 0 lbs                  | N/A              |
| JIB, DEPLOYED   | 450 lbs                | 0 lbs            |

| RIGGING CHART  |                           |
|--|---------------------------|
| <br>1-PART<br>0-10000 lbs  | <br>2-PART<br>0-18000 lbs |
| WIRE ROPE: 9/16 inch diameter<br>Min. breaking strength 35000 lbs. |                           |

- The rated loads are the maximum lift capacities as determined by operating radius, boom extension and boom angle. The operating radius is the horizontal distance from a projection of the axis of rotation to the supporting surface, before loading, to the center of vertical hoist line or tackle with load applied.
- The rated loads shown on outriggers do not exceed 85% of actual tipping. The rated loads shown on rubber do not exceed 75% of actual tipping. These ratings are based on freely suspended loads with the crane leveled, standing on a firm, uniform supporting surface. Practical working loads depend on supporting surface, operating radius and other factors affecting stability. Hazardous surroundings, climatic conditions, experience of personnel and proper training must all be taken into account by the operator.
- The weights of all load handling devices such as hooks, hook blocks, slings, etc., except the hoist rope, shall be considered as part of the load. See reduction chart.
- Ratings on outriggers are for outriggers fully extended.
- Ratings on rubber depend on tire capacity, condition of tires and proper inflation pressure (100 psi). Loads on rubber may be transported at a maximum speed of 2.5 mph on a smooth hard level surface with boom retracted to the shortest length possible and centered over front.
- For operating radius not shown, use load rating of next larger radius.
- The maximum combined total boom and deck load is 12000 lbs. The maximum deck load only is 14000 lbs.
- Do not induce any external side loads to boom or jib.

JIB CAPACITY IS LIMITED BY BOTH STRUCTURAL CAPACITY CHART AND MAIN CAPACITY CHART.

SHADED AREAS ARE GOVERNED BY STRUCTURAL STRENGTH, DO NOT RELY ON TIPPING.

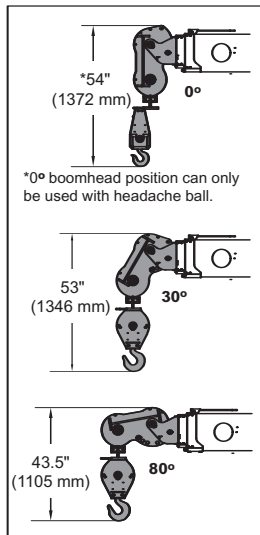
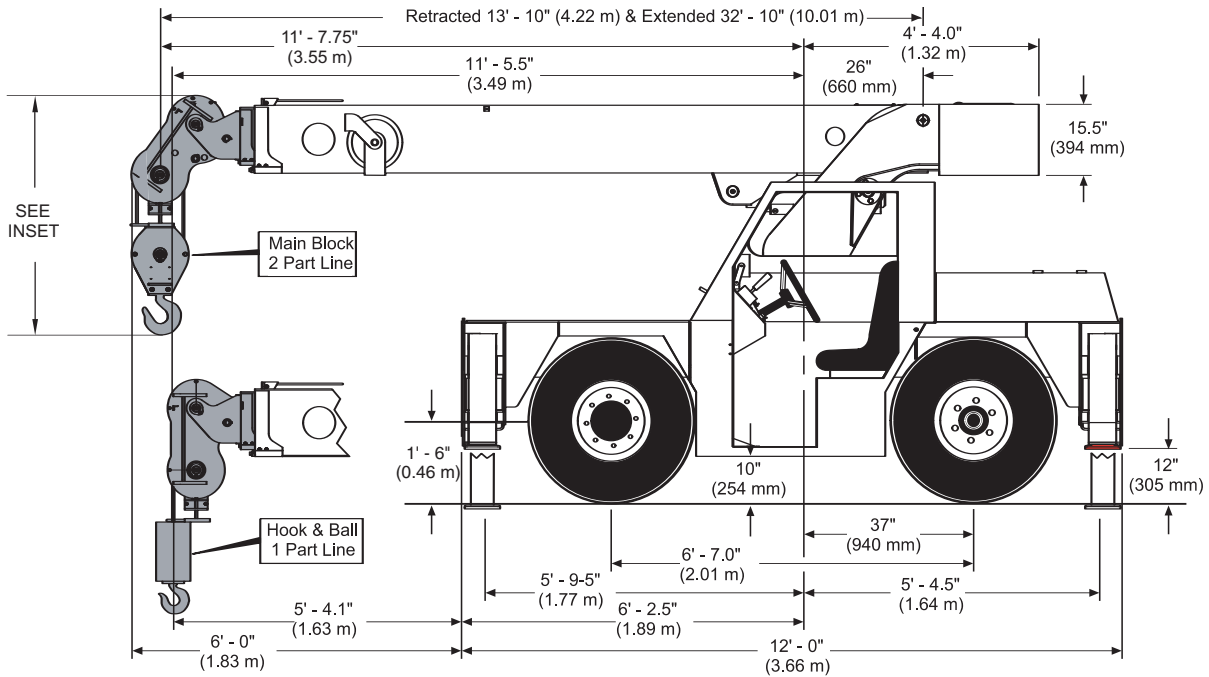
OPERATION OF THIS EQUIPMENT IN EXCESS OF RATING CHARTS AND DISREGARD OF INSTRUCTIONS IS DANGEROUS AND VOIDS WARRANTY.

THIS CHART IS ONLY A GUIDE AND SHOULD NOT BE USED TO OPERATE THE CRANE. The individual crane's load chart, operating instructions and other instructional plates must be read and understood prior to operating the crane.

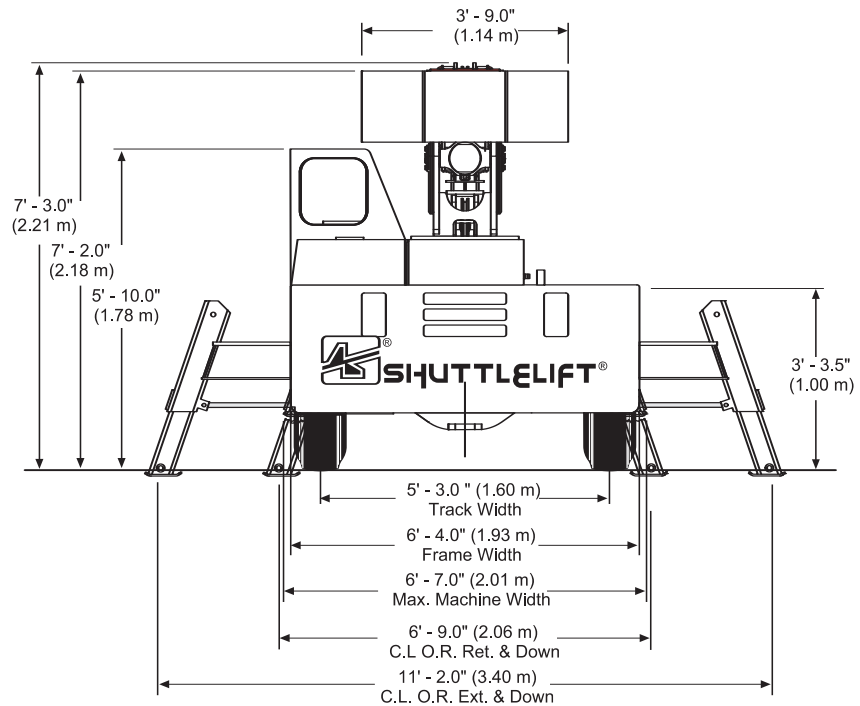
# dimensions

## 3340B

14



Dimensions are with the boom horizontal and the anti-two block bottomed.



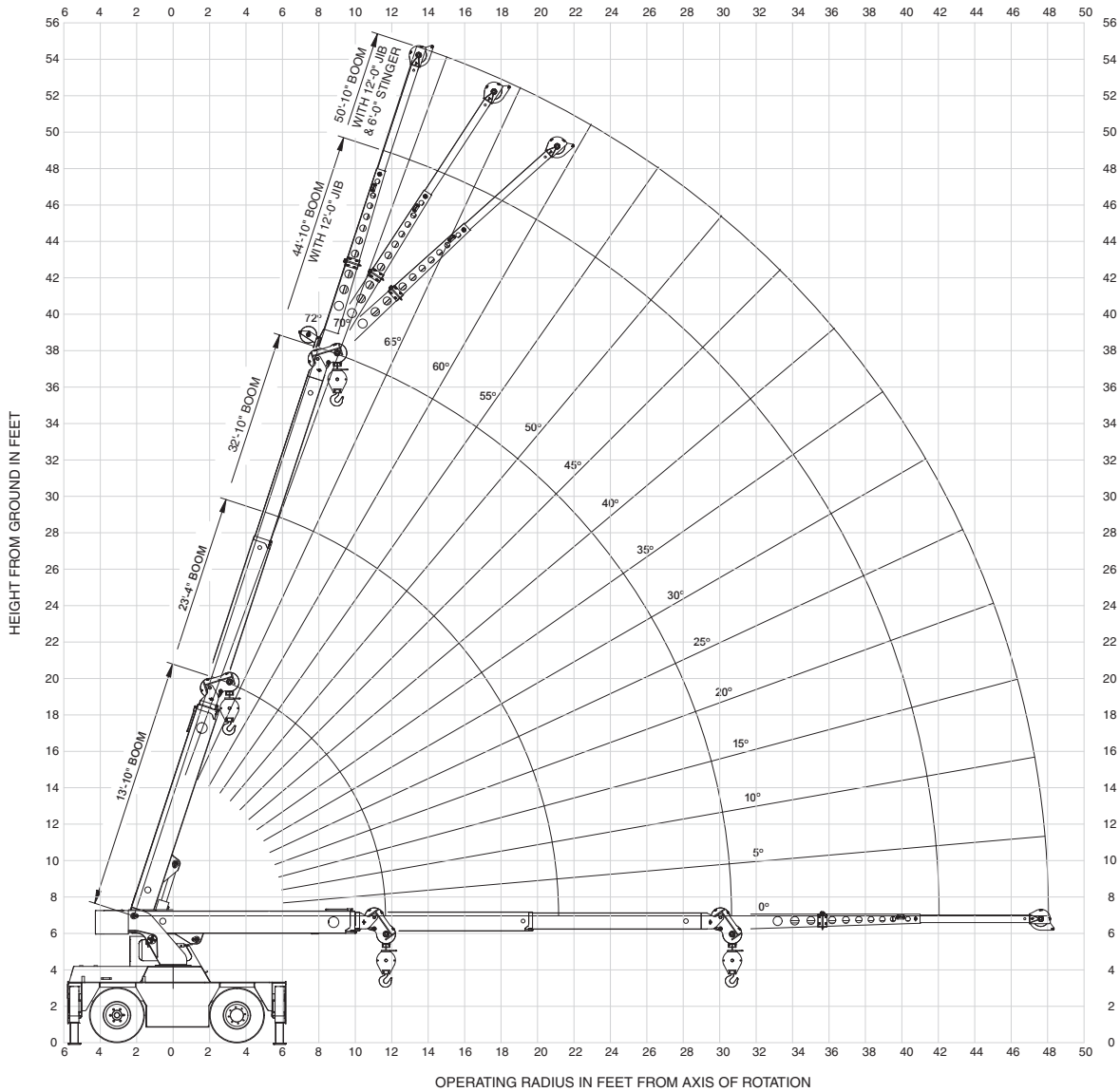
3300 Series

THIS CHART IS ONLY A GUIDE AND SHOULD NOT BE USED TO OPERATE THE CRANE. The individual crane's load chart, operating instructions and other instructional plates must be read and understood prior to operating the crane.

# range diagram

## 3340B

### 15



THIS CHART IS ONLY A GUIDE AND SHOULD NOT BE USED TO OPERATE THE CRANE. The individual crane's load chart, operating instructions and other instructional plates must be read and understood prior to operating the crane.

# load chart

## 3340B

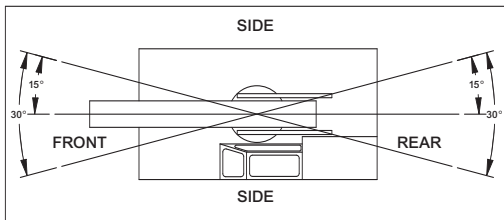
16

| RADIUS (ft) | ON OUTRIGGERS (lbs)         |               |                |               | ON RUBBER (lbs) |          | MAIN BOOM ANGLE (deg) | JIB STRUCTURAL CAPACITIES (lbs) |            |            |           |            |            |
|-------------|-----------------------------|---------------|----------------|---------------|-----------------|----------|-----------------------|---------------------------------|------------|------------|-----------|------------|------------|
|             | EXTENDED 360° RETRACTED F/R |               | RETRACTED 360° |               | F/R             | 360°     |                       | 12 FT JIB                       |            |            | 18 FT JIB |            |            |
|             | BOOM RETRACTED              | BOOM EXTENDED | BOOM RETRACTED | BOOM EXTENDED | ANY BOOM        | ANY BOOM |                       | 0° OFFSET                       | 15° OFFSET | 30° OFFSET | 0° OFFSET | 15° OFFSET | 30° OFFSET |
|             | 4.0                         | 21000         | 15000          | 21000         | 15000           | 11500    |                       | 11500                           | 72         | 7500       | 5100      | 3500       | 4000       |
| 5.0         | 18000                       | 14700         | 18000          | 14700         | 11500           | 9400     | 70                    | 7000                            | 4800       | 3400       | 3750      | 3100       | 2200       |
| 6.0         | 15700                       | 14400         | 14400          | 14400         | 10000           | 7800     | 65                    | 5700                            | 4100       | 3100       | 3200      | 2700       | 2000       |
| 8.0         | 12200                       | 12200         | 9400           | 9400          | 8100            | 5900     | 60                    | 4500                            | 3500       | 2800       | 2800      | 2400       | 1850       |
| 10.0        | 10200                       | 10200         | 6700           | 6700          | 6100            | 4100     | 55                    | 3500                            | 3000       | 2550       | 2450      | 2150       | 1700       |
| 12.0        | 8400                        | 8400          | 5000           | 5000          | 4600            | 3000     | 50                    | 2800                            | 2500       | 2300       | 2150      | 1950       | 1600       |
| 14.0        | -                           | 7100          | -              | 3800          | 3600            | 2400     | 45                    | 2300                            | 2200       | 2000       | 1900      | 1750       | 1500       |
| 16.0        | -                           | 6000          | -              | 3100          | 2900            | 2000     | 40                    | 2000                            | 1900       | 1800       | 1700      | 1600       | 1400       |
| 18.0        | -                           | 5000          | -              | 2600          | 2400            | 1600     | 35                    | 1775                            | 1675       | 1600       | 1525      | 1450       | 1350       |
| 20.0        | -                           | 4300          | -              | 2100          | 2000            | 1200     | 30                    | 1600                            | 1500       | 1400       | 1400      | 1300       | 1300       |
| 22.0        | -                           | 3700          | -              | 1800          | 1700            | 1050     | 25                    | 1450                            | 1400       | -          | 1275      | 1200       | -          |
| 24.0        | -                           | 3300          | -              | 1500          | 1500            | 950      | 20                    | 1350                            | 1350       | -          | 1175      | 1125       | -          |
| 26.0        | -                           | 2900          | -              | 1300          | 1300            | 800      | 15                    | 1300                            | 1300       | -          | 1100      | 1100       | -          |
| 28.0        | -                           | 2600          | -              | 1150          | 1150            | 700      | 10                    | 1275                            | -          | -          | 1050      | -          | -          |
| 31.0        | -                           | 2300          | -              | 1000          | 900             | 500      | 5                     | 1225                            | -          | -          | 1025      | -          | -          |
| 34.0        | -                           | 1975          | -              | 850           | 700             | 350      | 0                     | 1200                            | -          | -          | 1000      | -          | -          |
| 36.0        | -                           | 1775          | -              | 750           | 600             | 275      |                       |                                 |            |            |           |            |            |
| 38.0        | -                           | 1575          | -              | 625           | 500             | 200      |                       |                                 |            |            |           |            |            |
| 40.0        | -                           | 1425          | -              | 525           | 425             | 125      |                       |                                 |            |            |           |            |            |
| 42.0        | -                           | 1300          | -              | 425           | 350             | 75       |                       |                                 |            |            |           |            |            |
| 44.0        | -                           | 1200          | -              | 375           | 300             | 0        |                       |                                 |            |            |           |            |            |
| 46.0        | -                           | 1100          | -              | 325           | 275             | 0        |                       |                                 |            |            |           |            |            |
| 48.0        | -                           | 1000          | -              | 300           | 250             | 0        |                       |                                 |            |            |           |            |            |

JIB CAPACITY IS LIMITED BY BOTH STRUCTURAL CAPACITY CHART AND MAIN CAPACITY CHART.

OPERATION OF THIS EQUIPMENT IN EXCESS OF RATING CHARTS AND DISREGARD OF INSTRUCTIONS IS DANGEROUS AND VOIDS WARRANTY.

SHADED AREAS ARE GOVERNED BY STRUCTURAL STRENGTH, DO NOT RELY ON TIPPING.



| REDUCTION CHART |                        |                  |
|-----------------|------------------------|------------------|
|                 | FROM MAIN BOOM RATINGS | FROM JIB RATINGS |
| MAIN BLOCK      | 140 lbs                | N/A              |
| HOOK & BALL     | 100 lbs                | 100 lbs          |
| JIB, STOWED     | 0 lbs                  | N/A              |
| JIB, DEPLOYED   | 450 lbs                | 0 lbs            |

| RIGGING CHART  |                       |
|--|-----------------------|
| 1-PART<br>0-10000 lbs  | 2-PART<br>0-21000 lbs |
| WIRE ROPE: 9/16 inch diameter<br>Min. breaking strength 36750 lbs. |                       |

- The rated loads are the maximum lift capacities as determined by operating radius, boom extension and boom angle. The operating radius is the horizontal distance from a projection of the axis of rotation to the supporting surface, before loading, to the center of vertical hoist line or tackle with load applied.
- The rated loads shown on outriggers do not exceed 85% of actual tipping. The rated loads shown on rubber do not exceed 75% of actual tipping. These ratings are based on freely suspended loads with the crane leveled, standing on a firm, uniform supporting surface. Practical working loads depend on supporting surface, operating radius and other factors affecting stability. Hazardous surroundings, climatic conditions, experience of personnel and proper training must all be taken into account by the operator.
- The weights of all load handling devices such as hooks, hook blocks, slings, etc., except the hoist rope, shall be considered as part of the load. See reduction chart.
- Ratings on outriggers are for either outriggers fully extended and down or fully retracted and down. Ratings for outriggers fully retracted and down will apply for any intermediate outrigger setting.
- Ratings on rubber depend on tire capacity, condition of tires and proper inflation pressure (100 psi). Loads on rubber may be transported at a maximum speed of 2.5 mph on a smooth hard level surface with boom retracted to the shortest length possible and centered over front.
- For operating radius not shown, use load rating of next larger radius.
- The maximum combined total boom and deck load is 12000 lbs. The maximum deck load only is 14000 bs.
- Do not induce any external side loads to boom or jib.

3300 Series

THIS CHART IS ONLY A GUIDE AND SHOULD NOT BE USED TO OPERATE THE CRANE. The individual crane's load chart, operating instructions and other instructional plates must be read and understood prior to operating the crane.



## **3300** *Series*

17

**notes**

# **3300 Series**



## **3300** *Series*

**Regional Headquarters****Americas**

Manitowoc, Wisconsin, USA

Tel: +1 920 684 6621

Fax: +1 920 683 6278

Shady Grove, Pennsylvania, USA

Tel: +1 717 597 8121

Fax: +1 717 597 4062

**Regional Offices****Americas****Brazil**

Alphaville

Tel: +55 11 3103 0200

Fax: +55 11 4688 2013

**Mexico**

Monterrey

Tel: +52 81 8124 0128

Fax: +52 81 8124 0129

**Europe, Middle East, Africa****Algeria**

Hydra

Tel: +21 3 21 48 1173

Fax: +21 3 21 48 1454

**Czech Republic**

Netvorice

Tel: +420 317 78 9313

Fax: +420 317 78 9314

**France**

Baudemont

Tel: +33 385 28 2589

Fax: +33 385 28 0430

**Cergy**

Tel: +33 130 31 3150

Fax: +33 130 38 6085

**Decines**

Tel: +33 472 81 5000

Fax: +33 472 81 5010

**Germany**

Langenfeld

Tel: +49 21 73 8909-0

Fax: +49 21 73 8909 30

**Hungary**

Budapest

Tel: +36 13 39 8622

Fax: +36 13 39 8622

**Italy**

Parabiago

Tel: +390 331 49 3311

Fax: +390 331 49 3330

**Europe, Middle East, Africa**

Ecully, France

Tel: +33 472 18 2020

Fax: +33 472 18 2000

**Netherlands**

Breda

Tel: +31 76 578 3999

Fax: +31 76 578 3978

**Poland**

Warsaw

Tel: +48 22 843 3824

Fax: +48 22 843 3471

**Portugal**

Alfena

Tel: +351 229 69 8840

Fax: +351 229 69 8848

Lisbon

Tel: +351 212 109 340

Fax: +351 212 109 349

**Russia**

Moscow

Tel: +7 495 641 2359

Fax: +7 495 641 2358

**U.A.E.**

Dubai

Tel: +971 4 3381 861

Fax: +971 4 3382 343

**U. K.**

Middlesex

Tel: +44 1 895 43 0053

Fax: +44 1 895 45 9500

Sunderland

Tel: +44 191 522 2000

Fax: +44 191 522 2052

**Asia – Pacific****Australia**

Melbourne

Tel: +61 3 9 336 1300

Fax: +61 3 9 336 1322

Sydney

Tel: +61 2 9 896 4433

Fax: +61 2 9 896 3122

**Asia – Pacific**

Shanghai, China

Tel: +86 21 51113579

Fax: +86 21 51113578

Singapore

Tel: +65 6264 1188

Fax: +65 6862 4142

**China**

Beijing

Tel: +86 20 58674761

Fax: +86 10 58674760

Xi'an

Tel: +86 29 87891465

Fax: +86 29 87884504

**Korea**

Seoul

Tel: +82 2 3439 0400

Fax: +82 2 3439 0405

**Philippines**

Makati City

Tel: +63 2 844 9437

Fax: +63 2 844 4712

**Factories**

Brazil

Alphaville

China

Zhangjiagang

France

Charlieu

La Clayette

Moulins

Germany

Wilhelmshaven

India

Calcutta

Pune

Italy

Niella Tanaro

Portugal

Baltar

Fânzeres

Slovakia

Saris

U.S.A.

Manitowoc

Port Washington

Shady Grove



Constant improvement and engineering progress make it necessary that we reserve the right to make specification, equipment and price changes without notice. Illustrations shown may include optional equipment and accessories, and may not include all standard equipment.