

**SPIERINGS**

MOBILE CRANES

Make: SPIERINGS**Type: SK2400-AT7-50m****LM1****Crane specification (Jib length 42 m)**

Serial Number

Year of construction

Strength / stability : as per EN 13001
 Stability : as per ISO 4305
 Classification : as per ISO 4301-2.A4

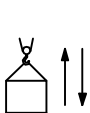
Max. load
18,0 tonne

Max. radius with max. load
12,4 m

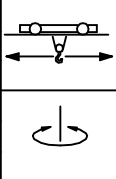
Max. capacity
223 tm

Max. jib length
42 m

Max. speed Jib horizontal / 30° luffed



m/min	kg
10	18000
20	9000
30	4500
50	2250
75	0



0 - 70 m/min

0-0,9 r/min

All motions with hydraulic proportional controls.
 Luffing the jib 30° can be controlled from crane cab or by remote control.

Counterweight Crane : 23000 kg.
 Continuous slewing of the crane (360°) with the outriggers out and support pads down.
 Crane can be driven in its erected position under special conditions (refer user guide).
 The crane should be folded in at wind force 10 (Bf) (24 m/sec) or when not in use for a longer period.

Rated lifting capacity is net capacity.
 Max. line pull force : 4500 kg.
 2 parts of line : 9000 kg.
 4 parts of line : 18000 kg.
 Sail area of the load max.: 1,0 m²/ ton.
 Operating temperature range from: -15°C till +40°C.

Outriggers positioned according to lifting chart
 Outrigger support base : 7,95 x 7,63 m.
 Operation allowed up to wind force 7 Bf (17 m/)
 Outrigger support base : 7,95 x 5,72 m.
 Operation allowed up to wind force 7 Bf (17 m/)
 Max. outrigger force: 600 kN.

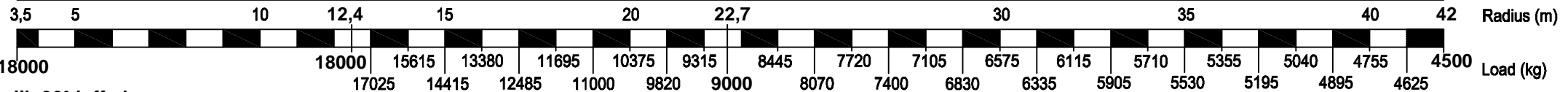
LIFTING CHART**Outrigger support base 7,95 m x 7,63 m**

up to wind force 7 on the Beaufort scale (17 m/sec)

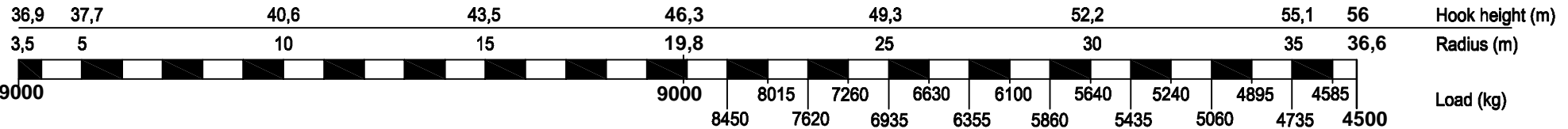
Jib horizontal



Hook height 25,7 / 35,5 m (height under the jib 27,9 / 37,7 m)



Jib 30° luffed

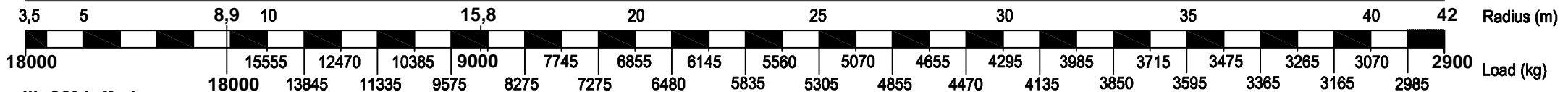
**LIFTING CHART****Outrigger support base 7,95 m x 5,72 m**

up to wind force 7 on the Beaufort scale (17 m/sec)

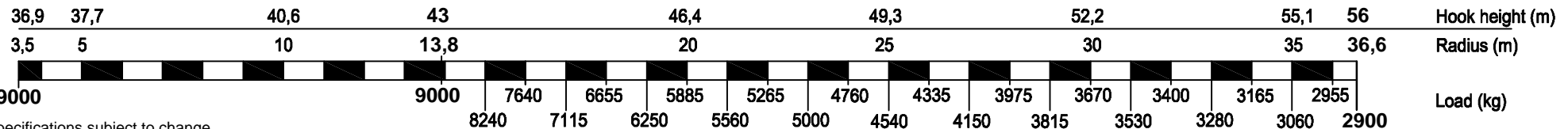
Jib horizontal



Hook height 25,7 / 35,5 m (height under the jib 27,9 / 37,7 m)

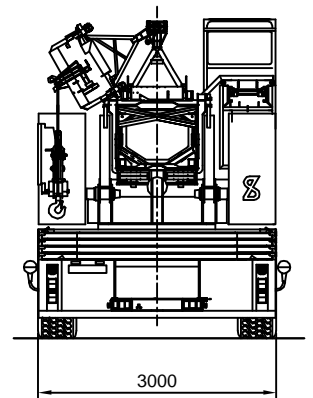
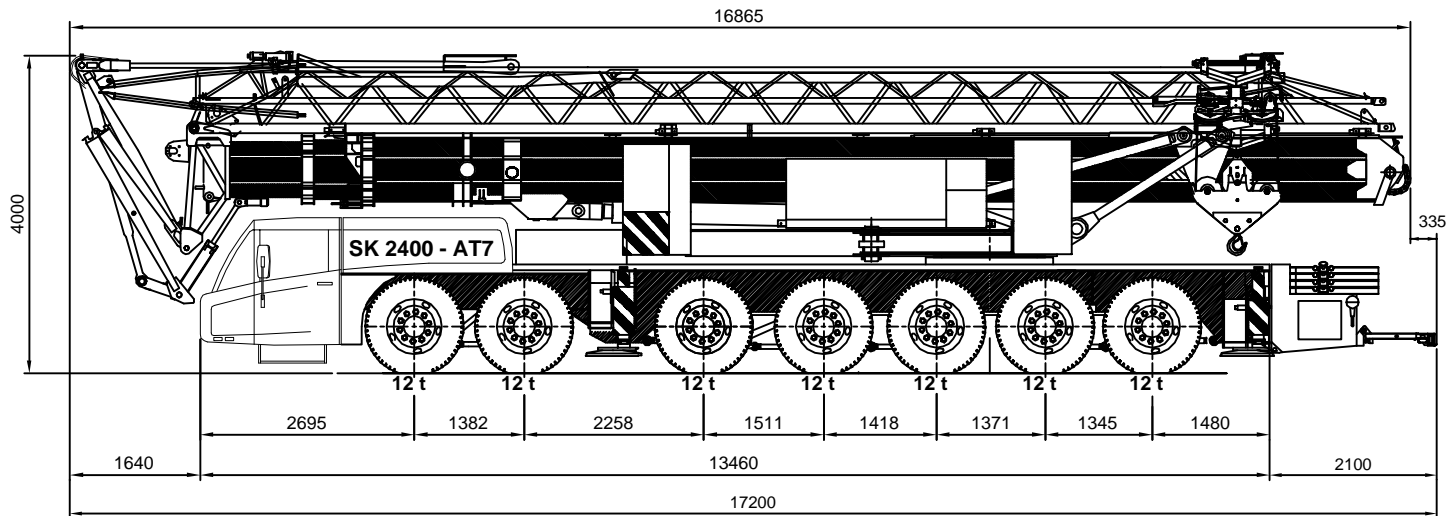
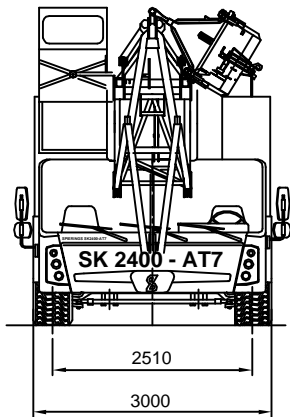
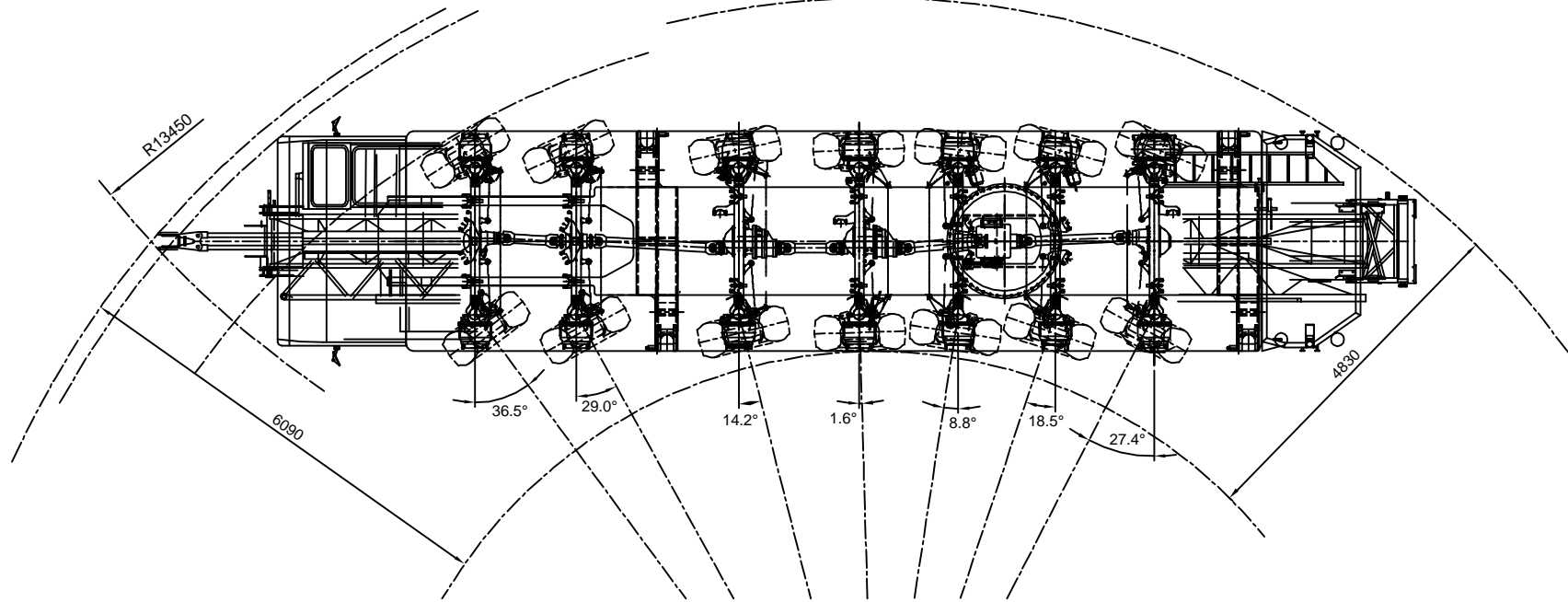


Jib 30° luffed



Specifications subject to change

141-00245101



3th and 4th jib removed

Total weight: 84000 kg

Specifications subject to change

SPIERINGS HYDRAULIC FOLDING CRANE SK2400 - AT7 -50m

SPIERINGS
MOBILE CRANES

Merwedestraat 15
5347 KZ Oss NL
Tel. +31 (0)412-626964
Fax +31 (0)412-645299
www.spieringcranes.com

141-00245102

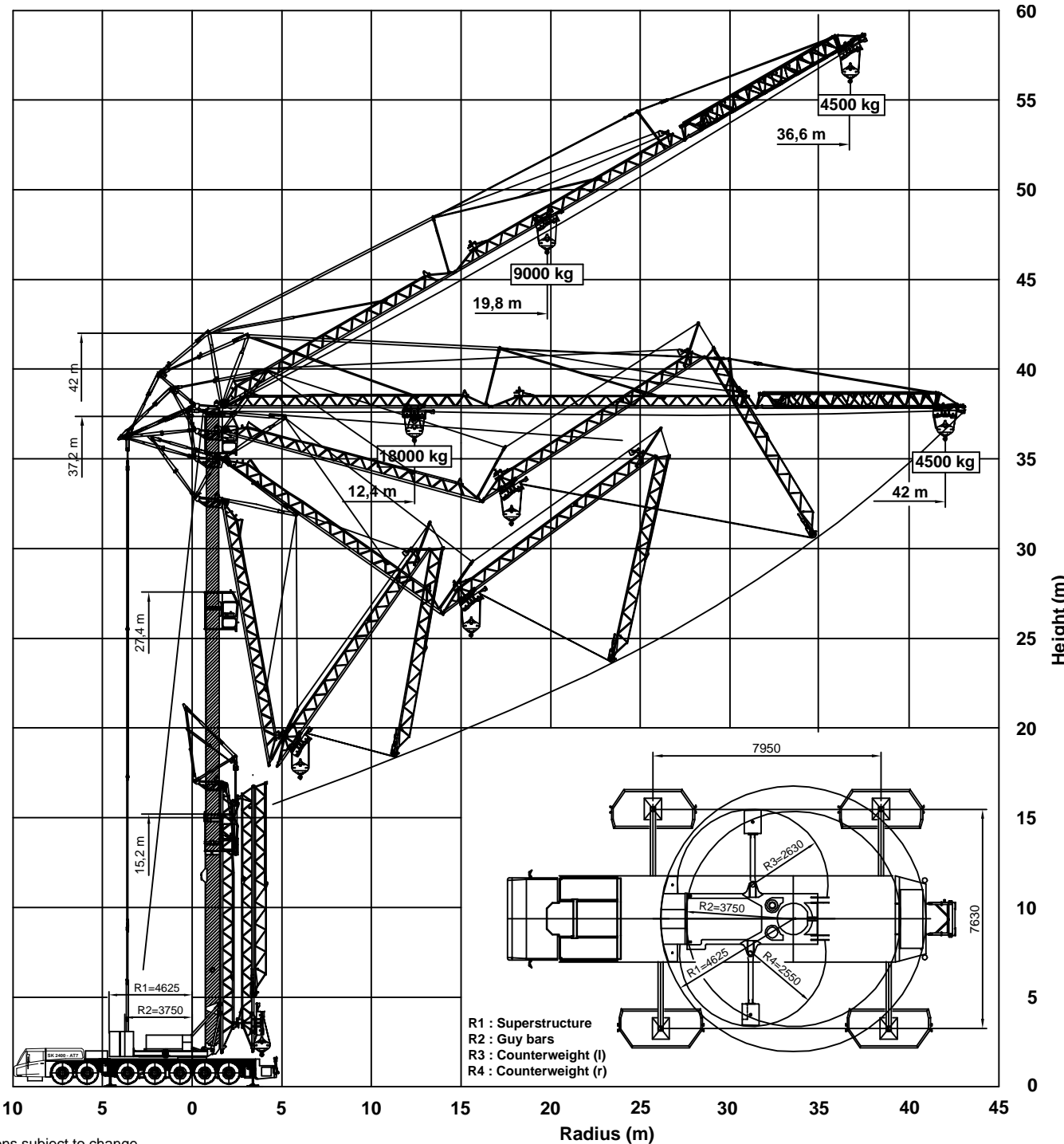
SPIERINGS HYDRAULIC FOLDING CRANE SK2400-AT7-50m

42m LM1

Erection procedure of the crane

Max. outrigger force : 600 kN
 Outrigger support pads : 750x600 mm
 Ground pressure : 1,34 N/mm²
 Jib can be unfolded through 360°
 Luffing the jib 30° can be controlled from the crane cab or remote control

Outrigger support plates : 3000x1340 mm
 surface : 3,585 m²
 Ground pressure : 0,17 N/mm²

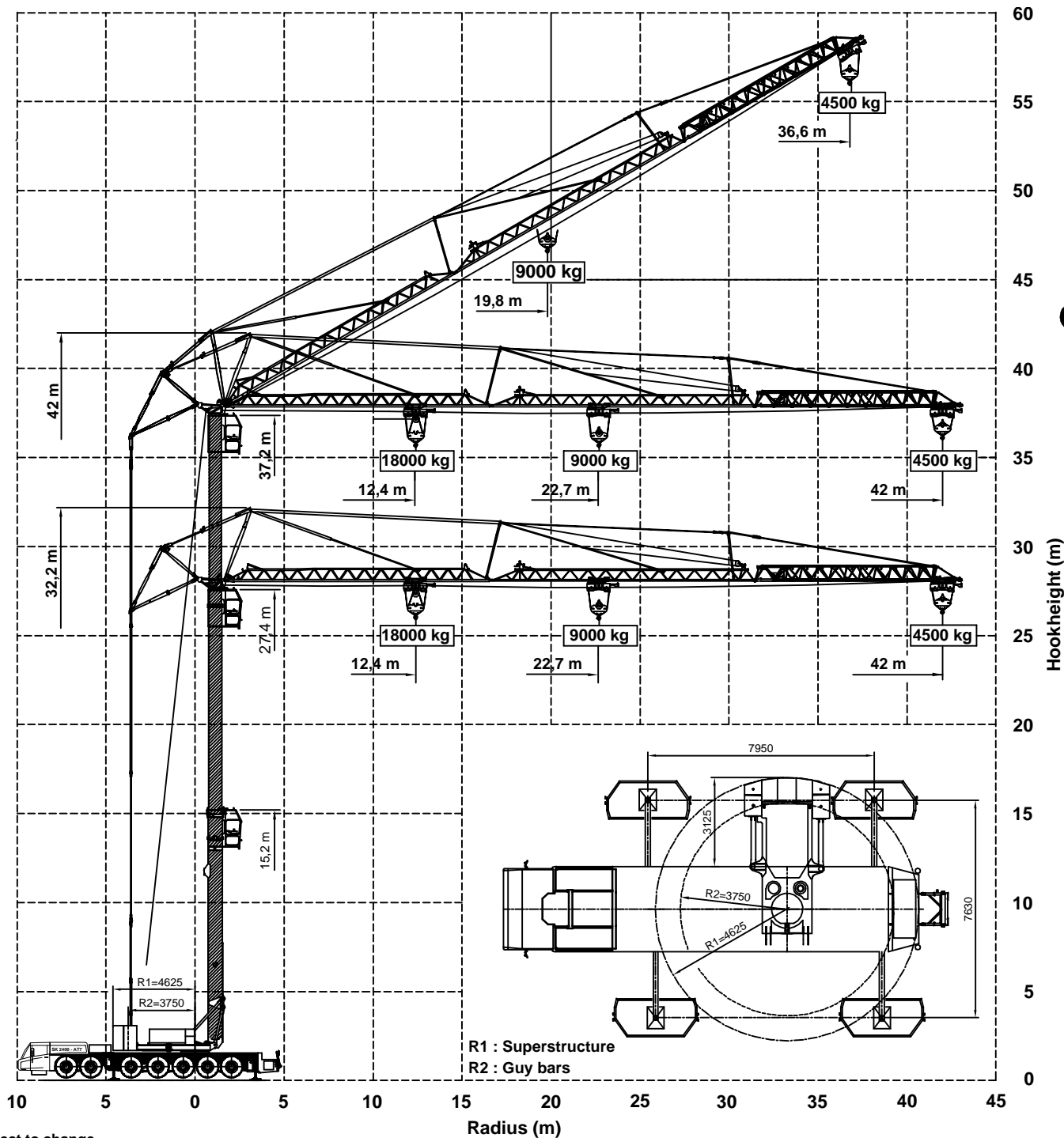


SPIERINGS HYDRAULIC FOLDING CRANE SK2400-AT7-50m

42m LM1

Hoisting Specifications

Outrigger support base: 7,95 m x 7,63 m



R1 : Superstructure
R2 : Guy bars

SPIERINGS
MOBILE CRANES

Merwedestraat 15
5347 KZ Oss NL
Tel. +31 (0)412-626964
Fax +31 (0)412-645299
www.spieringscranes.com

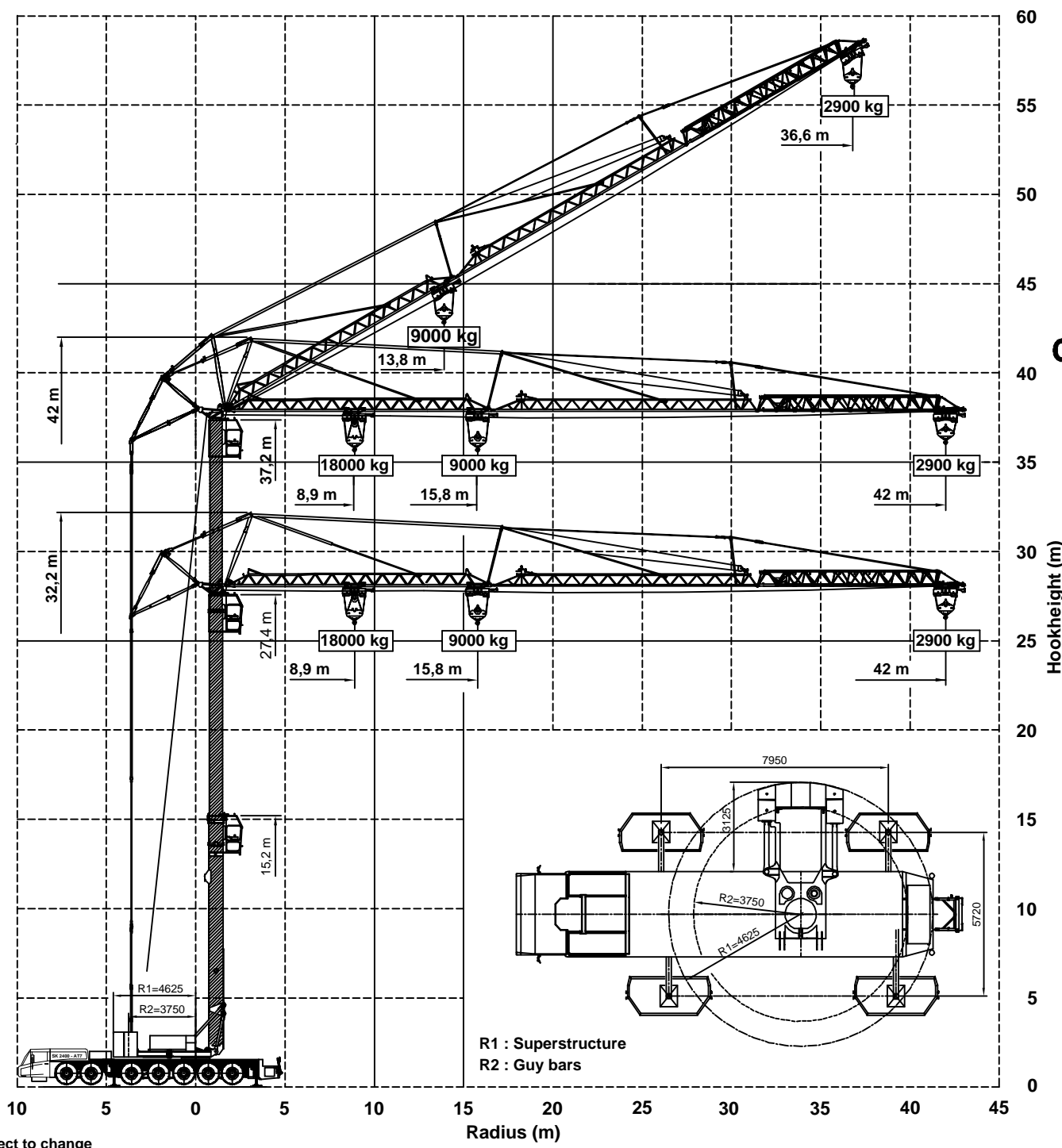
141-00245104

SPIERINGS HYDRAULIC FOLDING CRANE SK2400-AT7-50m

42m LM1

Hoisting Specifications

Outrigger support base: 7,95 m x 5,72 m



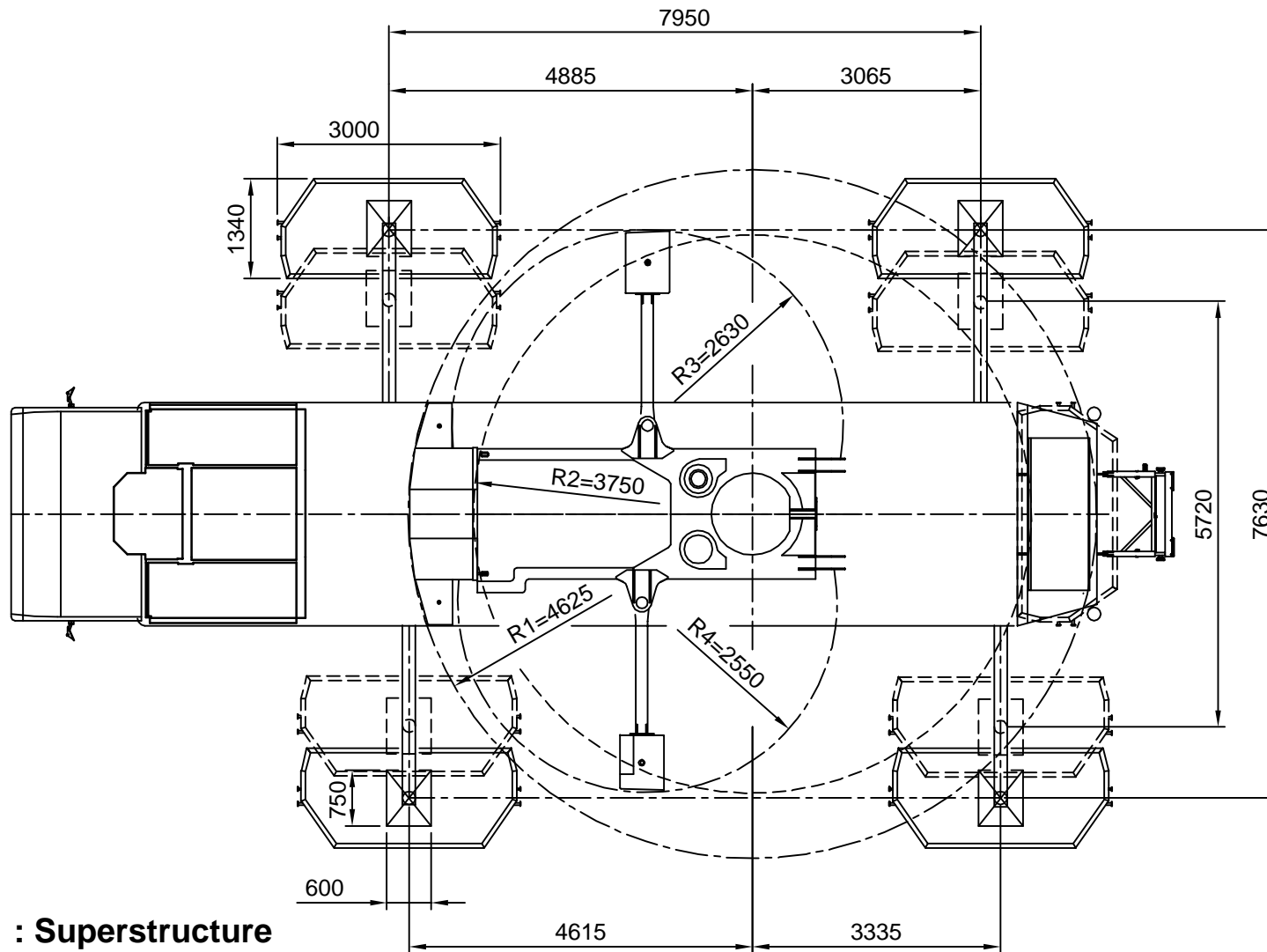
SPIERINGS
MOBILE CRANES
Merwedestraat 15
5347 KZ Oss NL
Tel. +31 (0)412-626964
Fax +31 (0)412-645299
www.spieringscranes.com

141-00245105

Specifications subject to change

Courtesy of Crane.Market

SPIERINGS
HYDRAULIC FOLDING CRANE
SK2400-AT7-50m
42m LM1



- R1 : Superstructure**
- R2 : Guy bars**
- R3 : Counterweight (l)**
- R4 : Counterweight (r)**

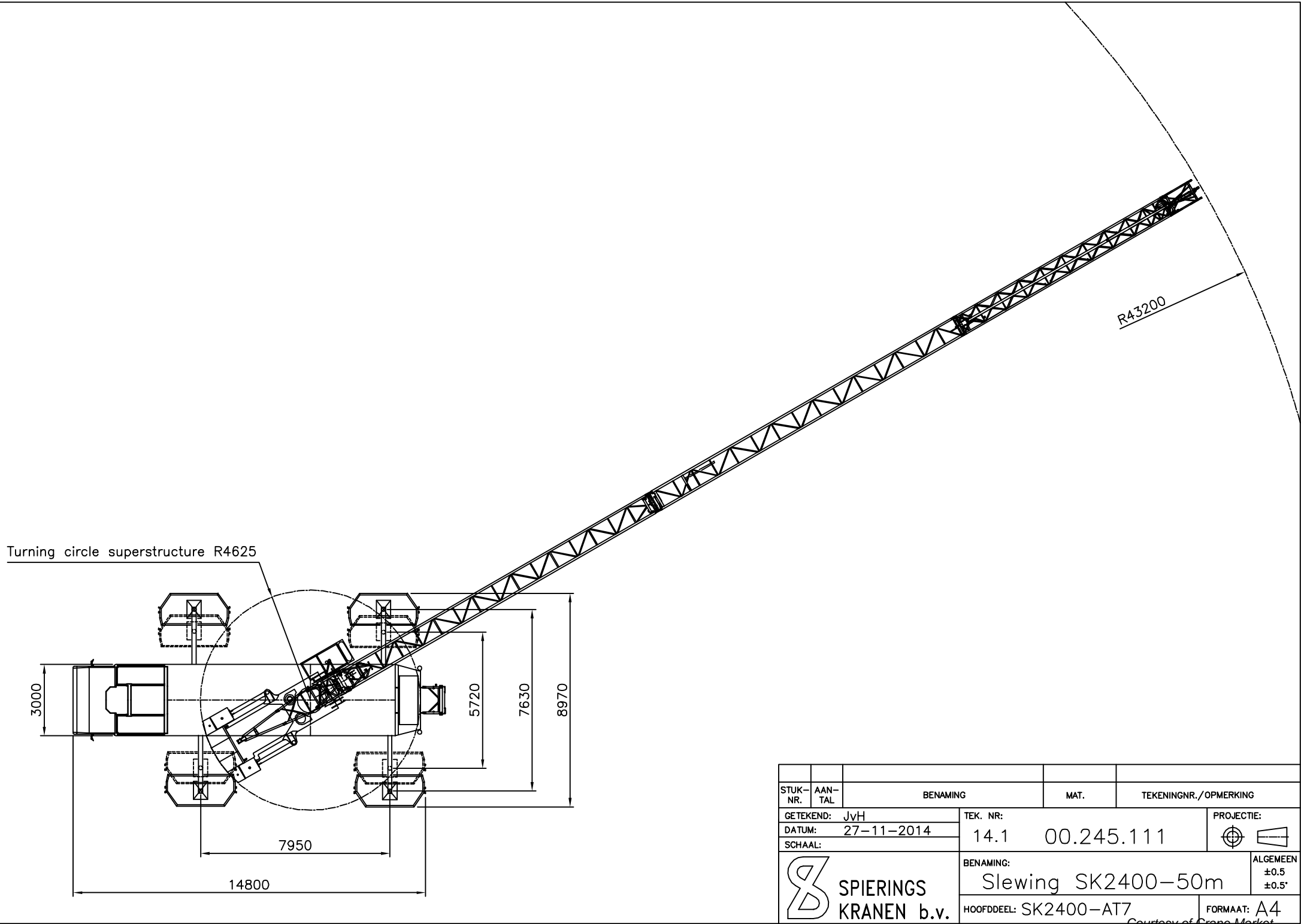
Overview outrigging

Max. outrigger force	600 kN
Outrigger support pads	750x600 mm
Ground pressure	1,34 N/mm ²
Outrigger support plates	3000x1340 mm
Surface	3,585 m ²
Ground pressure	0,17 N/mm ²

SPIERINGS
MOBILE CRANES

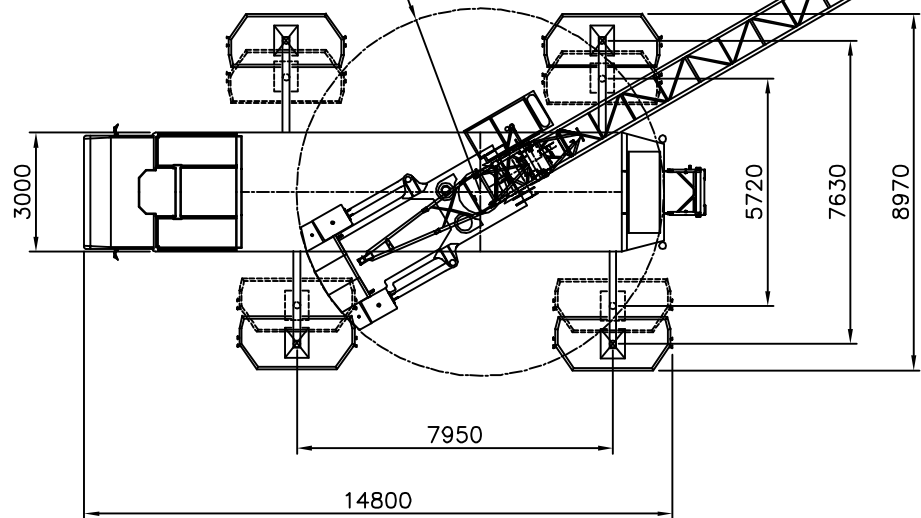
Merwedestraat 15
 5347 KZ Oss NL
 Tel. +31 (0)412-626964
 Fax +31 (0)412-645299
www.spieringscranes.com

141-00245108



Turning circle superstructure R4625

R43200



STUK-NR.	AAN-TAL	BENAMING	MAT.	TEKENINGNR./OPMERKING
GETEKEND: JvH		TEK. NR:		PROJECTIE:
DATUM: 27-11-2014		14.1	00.245.111	
SCHAAL:		BENAMING:		ALGEMEEN
		Slewing SK2400-50m		±0.5
		HOOFDDEEL: SK2400-AT7		±0.5'
				FORMAAT: A4