



**STELLAR® I0621 TECHNICAL SPECIFICATION GUIDE**

# 10621

Service Crane and T2-11 Service Body



*Our People. Our Products.*

INDUSTRIES INC.

# STELLAR® I0621 TECHNICAL SPECIFICATION GUIDE

## ■ SPECIFICATION INFORMATION

Crane Rating:	60,000 ft-lbs (8.30 ton-m)
Standard Boom Length:	11' (3.35) from CL of Crane
Boom Extension:	
• 1st stage:	Hydraulic 60" (152.4 cm)
• 2nd stage:	Hydraulic 60" (152.4 cm)
Max. Horizontal Reach:	21' (6.40 m) from CL of Crane
Max. Vertical Lift: (from crane base)	23' (7.01 m)
Boom Elevation:	-5° to +80°
Stowed Height: (crane only)	35.5" (90.2 cm)
Mounting Space Required:	20" x 21" (50.8 x 53.3 cm)
Shipping Weight:	2150 lbs (975 kg)
Controls:	Radio control standard for all functions.
Winch:	
• Rope Diameter:	7/16" (1.11 cm)
• Line pull speed:	60 ft/min (18.29 m)
• Max. single part line:	5000 lbs (2268 kg)
• Max. double part line:	10,000 lbs (4535 kg)
Rotation:	400° power (worm gear)
Lifting Capacities:	10,000 lbs @ 6' (4536 kg @ 1.83 m) 2,850 lbs @ 21'0" (1293 kg @ 6.40 m)
Power Supply Required:	PTO & Pump 8 gpm @ 3000 psi (30.3 lpm @ 207 bars)

NOTE: All Stellar cranes meet ANSI B30.5 and OSHA 1910.180 specifications. Specifications subject to change without notification.

## ■ DEFINING CHARACTERISTICS

### **Stellar® CDT™ Equipped**

The Stellar CDT equipped cranes will engage and communicate with the crane operator by using multiple sensory indicators when approaching maximum capacity. This will include the use of colored LED lights and pulsating vibrations. The Stellar CDT control system will also allow the operator to go into a boost mode and operate at nearly 120% of its normal operating capacity for a short period of time.

### **Remote Control**

Stellar Industries was the first U.S. manufacturer to include the state-of-the-art fully proportional multi-functional remote control as a standard feature. The radio remote incorporates a variable speed trigger that allows the operators to feather the crane with precise control. Additionally, the radio remote control handle features engine start/stop functions, compressor on/off, engine speed controls, and an emergency shut-off.

### **Planetary Drive Winch System**

To maximize winch speed, Stellar Industries has incorporated a planetary drive winch system with line speeds up to 60-ft/min (18.29 m), giving the 10621 crane over twice the speed of the competition. In addition to speed, the planetary winch also provides mechanical and hydraulic breaks for added security.

### **Hexagonal Boom Design**

Hexagonal booms are stronger and greatly reduce boom flex and side to side movement.

### **Greaseless Bushings**

Maintenance free greaseless bushings.

### **Stainless Steel Pivot Pins**

Lower maintenance and extend life.

### **21' of Hydraulic Reach**

2-stage hydraulic extensions. No manual extensions.

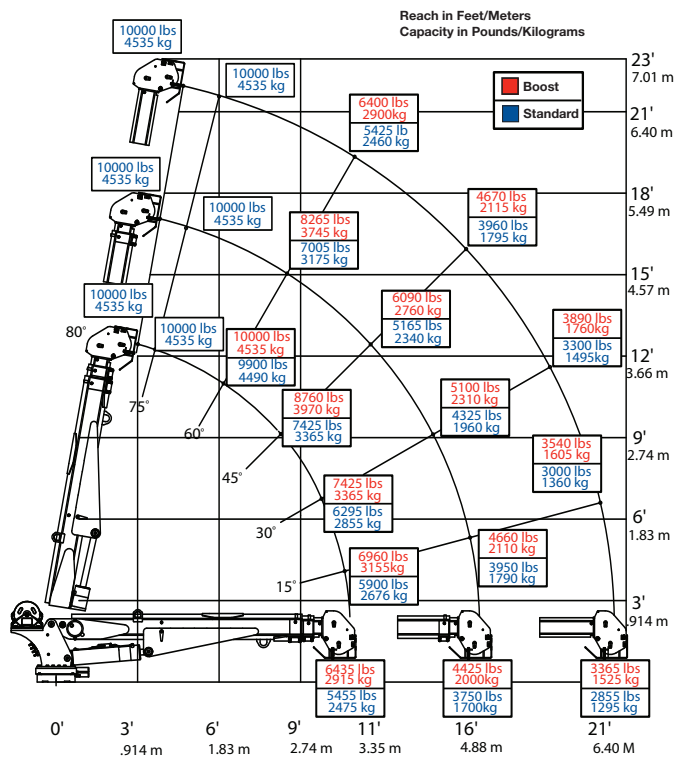
### **Dual Acting Counter Balance Valves**

Integrated into cylinders.

### **Flip Sheave Standard**

### **Anti Two-Block Device**

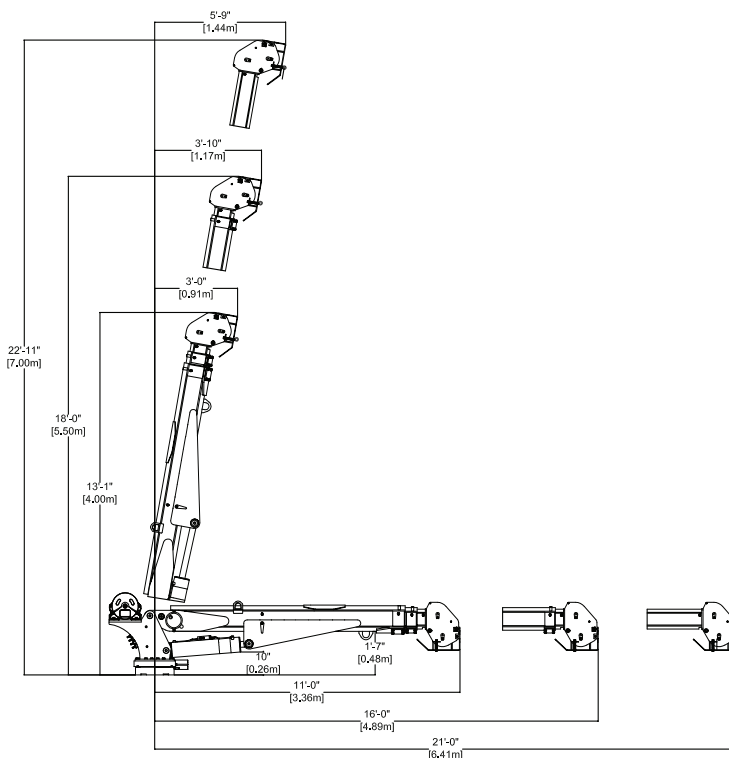
### 10621 CAPACITY CHART



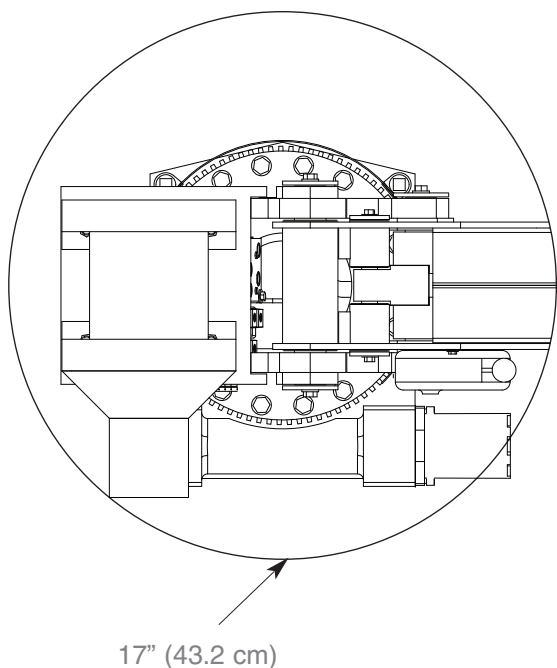
Weight of load handling devices are part of the load lifted and must be deducted from the capacity.

Maximum 1 - part line capacity is 5000 lbs. (2270 kg). For greater loads, use 2 - part line.

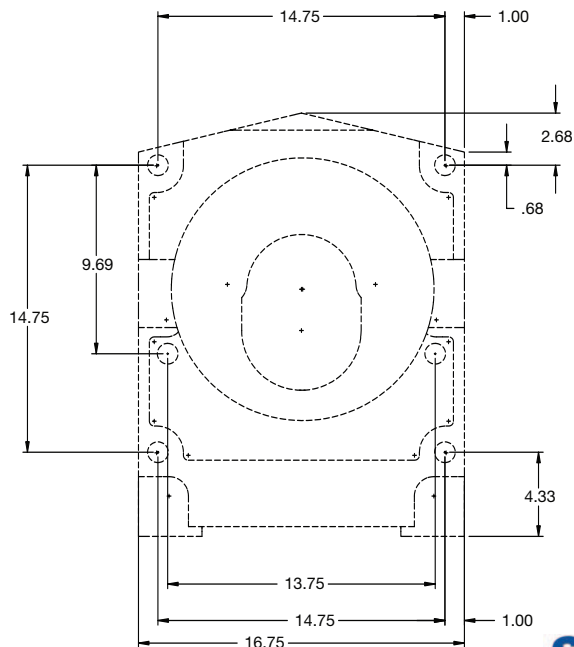
### GEOMETRIC DIMENSIONS



### ROTATIONAL CLEARANCE



### HOLE MOUNTING DETAIL



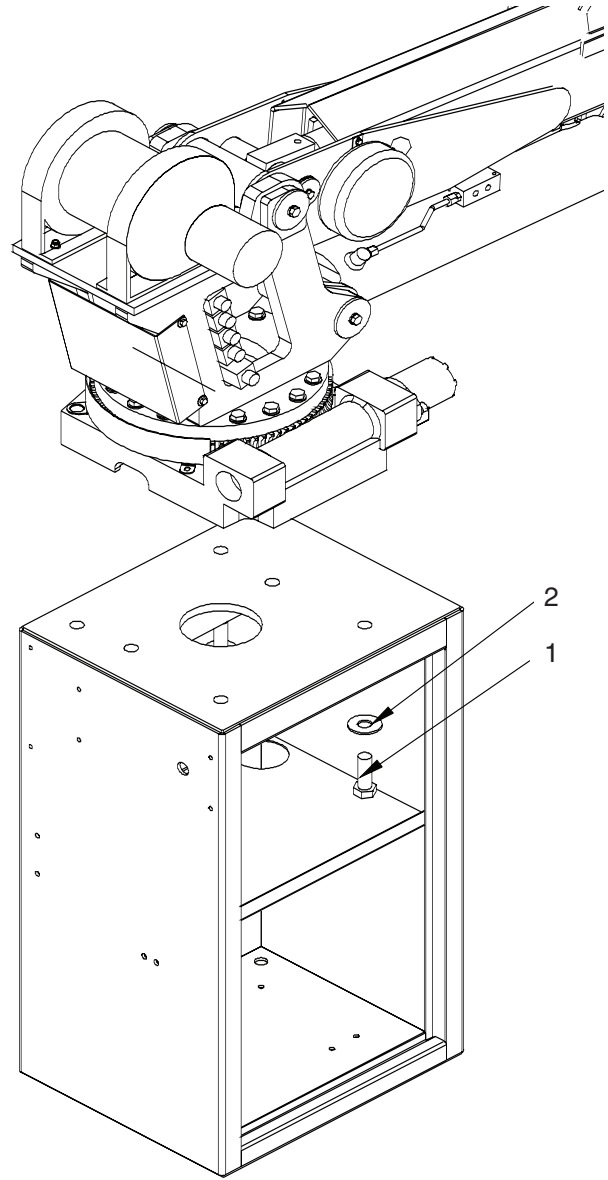
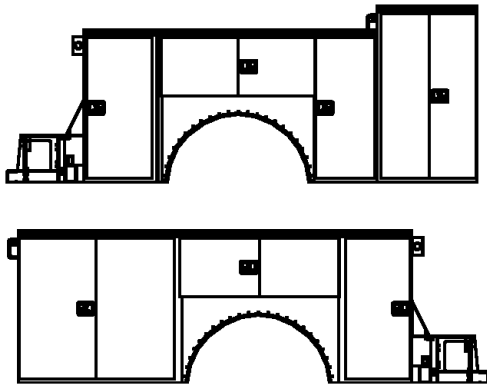
■ Service Bodies

**TMAX2-11 Service Body**

Applicable Chassis: 19000 GVWR Chassis  
and up

Crane Models: 6620  
6628  
9621  
10621  
10628

Cab to Axle: 84" (213.36 cm)  
Body Length Nominal: 133" (337.82 cm)  
Body Height: 52" (132.08 cm)  
Body Width: 94" (238.76 cm)  
Compartment Depth: 22" (55.88 cm)  
Floor Width: 50" (127 cm)  
Net Weight: 3600 lbs (1632.93 kg)



Item	Part	Description	Qty.
1	5199	Cap Scr 1.00-8x3.00 HHGRB ZY	6
2	1433	Washer 1.00 USS Flat Zinc	6

Your local dealer:



*Our People. Our Products.*

190 State Street  
P.O. Box 169  
Garner, IA 50438  
Telephone: (641) 923-3741 • (800) 321-3741  
Fax: (641) 923-2812  
Internet: [www.stellarindustries.com](http://www.stellarindustries.com)  
Email: [sales@stellarindustries.com](mailto:sales@stellarindustries.com)

An Employee Owned Company.  
Copyright © 2008 Stellar Industries, Inc.

4/08

*Courtesy of CraneMarket*