

Stellar® Service Cranes and TMAX™ Service Bodies

3315



TECHNICAL SPECIFICATION GUIDE



Our People. Our Products.

STELLAR® 3315 TECHNICAL SPECIFICATION GUIDE

SPECIFICATION INFORMATION

Crane Rating:	11,500 ft-lbs (1.59 ton-meters)
Standard Boom Length:	7' (2.13 m) from CL of Crane
Boom Extension:	
• 1st Stage:	Hydraulic 48" (121.9 cm)
• 2nd Stage:	Manual 48" (121.9 cm) / Optional Hyd.
Max. Horizontal Reach:	15' (4.57 m) from CL of Crane
Maximum Vertical Lift: (from crane base)	17' 8" (5.40 m)
Boom Elevation:	-10° to +80°
Stowed Height: (crane only)	31.2" (79.2 cm)
Mounting Space Required:	18" x 15" (45.7 x 38.1 cm)
Approximate Crane Weight:	3315 (electric) 2H: 940 lbs (426 kg) 1H1M: 860 lbs (390 kg)
	3315 (hydraulic) 2H: 850 lbs (386 kg) 1H1M: 770 lbs (349 kg)
Controls:	Radio control standard for all functions (Stellar® CDT™ control system optional)
Winch	
• Rope Diameter:	1/4" (0.63 cm) 7X19 GAC X 65' (19.81 m)
• Line pull speed:	30 ft/min (9.1 m/min)
• Max. single part line:	1,600 lbs (725 Kg)
• Max. double part line:	3,200 lbs (1450 Kg)
Rotation:	370 degree power (worm gear)
Lifting Capacities:	3,200 lbs @ 3' 7" (1451 kg @ 1.10 m) 765 lbs @ 15' (345 kg @ 4.6 m)
Power Supply Required:	12V power unit: 2 gpm @ 2,600 psi (7.6 lpm @ 179 bar) PTO & pump: 3 gpm @ 2,600 psi (11.4 lpm @ 179 bar)
Min. Rec. Chassis (GVRW)	10,500

NOTE: All Stellar cranes meet ANSI B30.5 and OSHA 1910.180 specifications.
Specifications subject to change without notification.

DEFINING CHARACTERISTICS

Radio Control System

Every electric, on/off, or proportional 3315 comes standard with a radio remote control. Stellar is the market leader with standard radio remote controls.

Stellar® CDT™ (Crane Dynamics Technology™)

Standard on 3315 proportional hydraulic crane, the Stellar CDT control system is revolutionary to the telescopic service crane market and EXCLUSIVE TO STELLAR. This system features capacity alert to the handheld crane remote and also features a Safe Mode to keep the crane and operator safe should a load indicating device fail to operate correctly.

Internal Extension Cylinder

New to the 3315 crane is our new internal cylinder extensions system. Designed to the same standards of our larger cranes, you will find the looks and performance of our extension booms second to none.

Full Hydraulic Extension

The 3315 crane offers an optional boom configuration of two hydraulic boom extensions. The 3315 cranes come standard with a one hydraulic, one manual boom configuration.

Market Leading Boom Articulation

The Stellar 3315 crane offers -10 degrees to +80 degrees. This gives the operator both easy reach to snatch block stowing and the best ability to load items into the load bed.

Quick Release Snatch Block Stow

The Stellar quick release snatch block stow is installed on the underside of the boom to easily stow your snatch block after use. Its unique design gently releases the snatch block for use when the boom is raised at close to 60 degrees to ensure a safe and orderly deployment.

Planetary Winch

The planetary winch on every crane manufactured by Stellar was designed to match the capacity and hydraulic control system. It lifts the maximum crane load and offers the smoothest and fastest speeds in the market today to help keep your productivity at max levels.

Strong Rotation System

Stellar uses a durable rotation system with a cast iron base and an internal mechanical stop to provide the most durable rotation system found in the industry.

Counterbalance Valves

Each cylinder on the Stellar 3315 crane feature counterbalance valves to prevent unintended cylinder movement should a hose break.

Greaseable Pivot Bushings

Each pivot pin location on the 3315 crane includes bushings and grease zerks to provide for years of use.

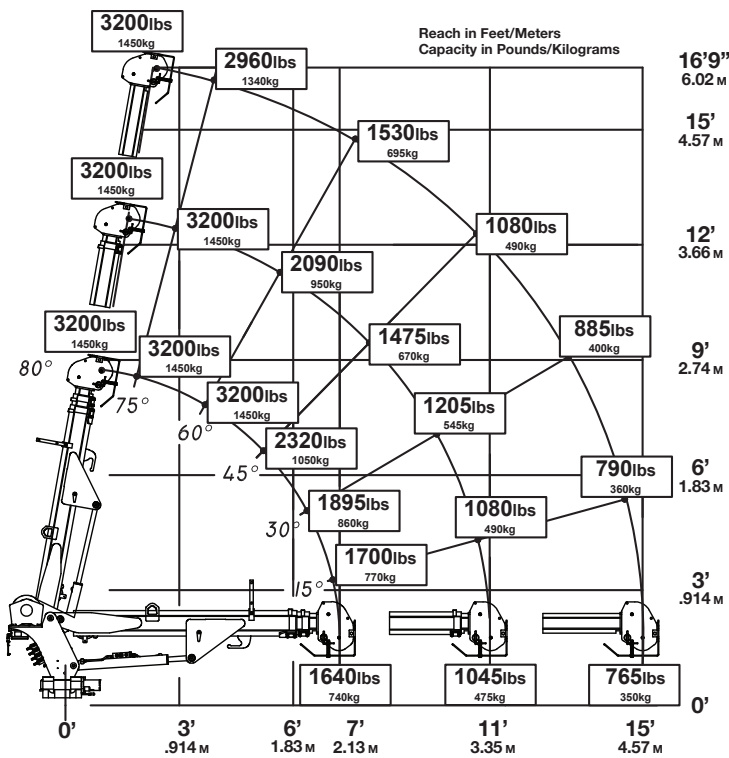
Hexagonal Booms

Stellar Industries made the hexagonal boom design famous in the telescopic service crane market. This design provides for a stronger and better aligning boom than competitive square boom design.

Bar Style Anti-Two Block

The 3315 crane is equipped with a low profile bar style anti-two block system that allows for easy access to the tightest lifting locations.

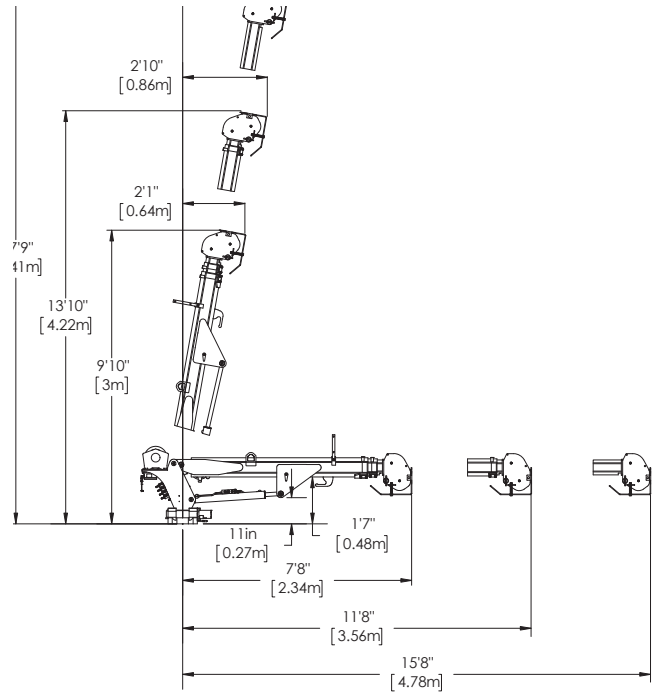
3315 CAPACITY CHART



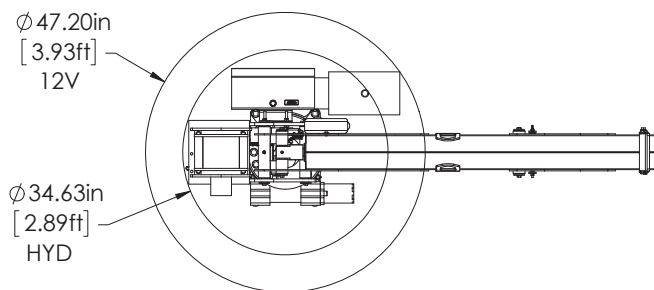
Weight of load handling devices are part of the load lifted and must be deducted from the capacity.

Maximum 1 - part line capacity is 1600 lbs. (725 kg). For greater loads, use 2 - part line.

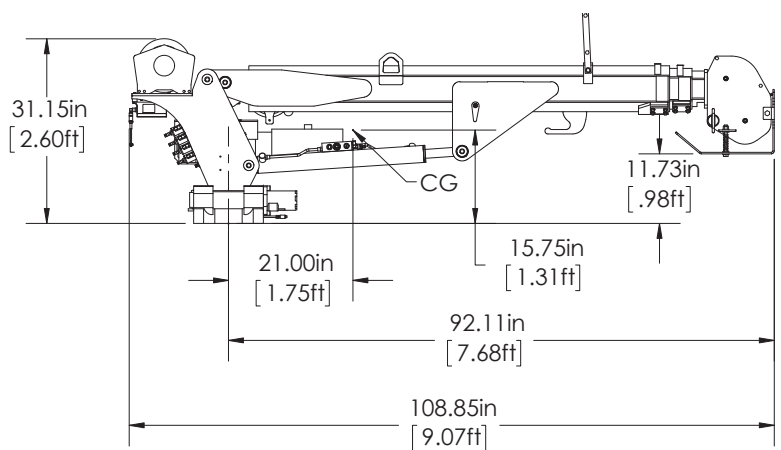
GEOMETRIC DIMENSIONS



ROTATIONAL CLEARANCE



DIMENSIONS



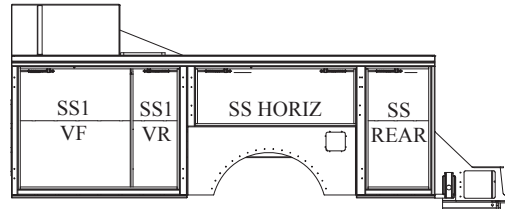
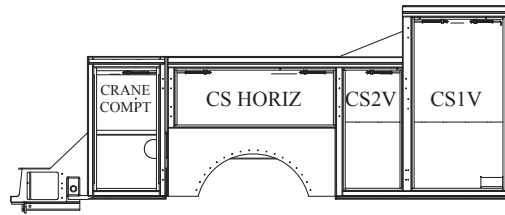
NEW TMAX™ Service Bodies

TMAX1™ Service Body

Applicable Chassis: 16,000 – 19,500 GVWR
(19.5 tire size)

Compatible Crane Models: 3315
4421
5521
7621
7630

Cab to Axle: 84" (213.36 cm)
Body Length Nominal: 133" (337.82 cm)
Body Height: 44" (111.76 cm)
Body Width: 94" (238.76 cm)
Compartment Depth: 22" (55.88 cm)
Floor Width: 50" (127 cm)
Net Weight: 3220 lbs (1460.37 kg)



Your local distributor:



Our People. Our Products.

190 State Street
P.O. Box 169
Garner, IA 50438
Telephone: (641) 923-3741 • (800) 321-3741
Fax: (641) 923-2812
Internet: www.stellarindustries.com
Email: sales@stellarindustries.com

An Employee Owned Company.
Copyright © 2015 Stellar Industries, Inc.

STL000057 10/15

Courtesy of CraneMarket