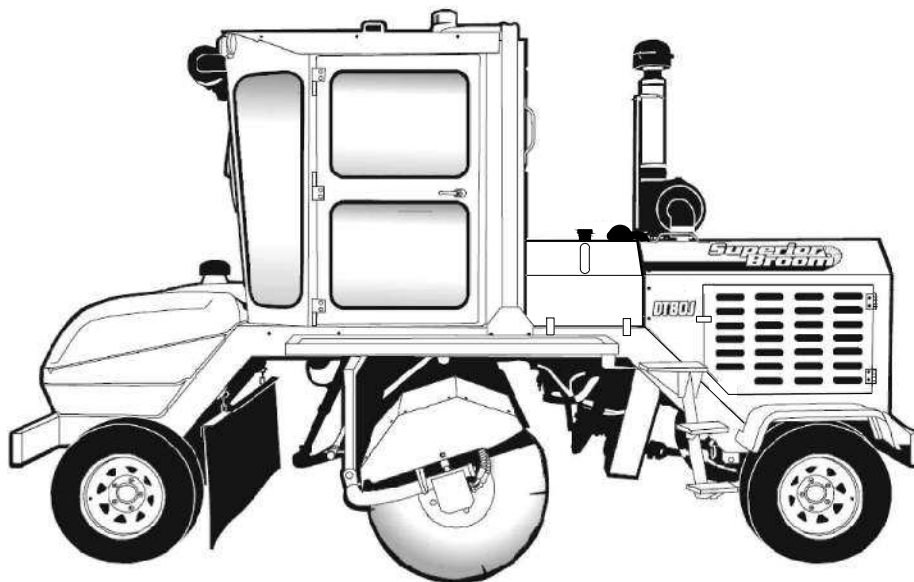




# DT80 Parts Manual 2015



**Superior Broom**  
3707 W. McCormick  
Wichita, KS 67213  
Phone: (316) 941-9591  
Toll Free: (888) 341-8707  
Fax: (316) 942-5672

[parts@sbmfg.com](mailto:parts@sbmfg.com)  
[www.superiorbroom.com](http://www.superiorbroom.com)

July 2015

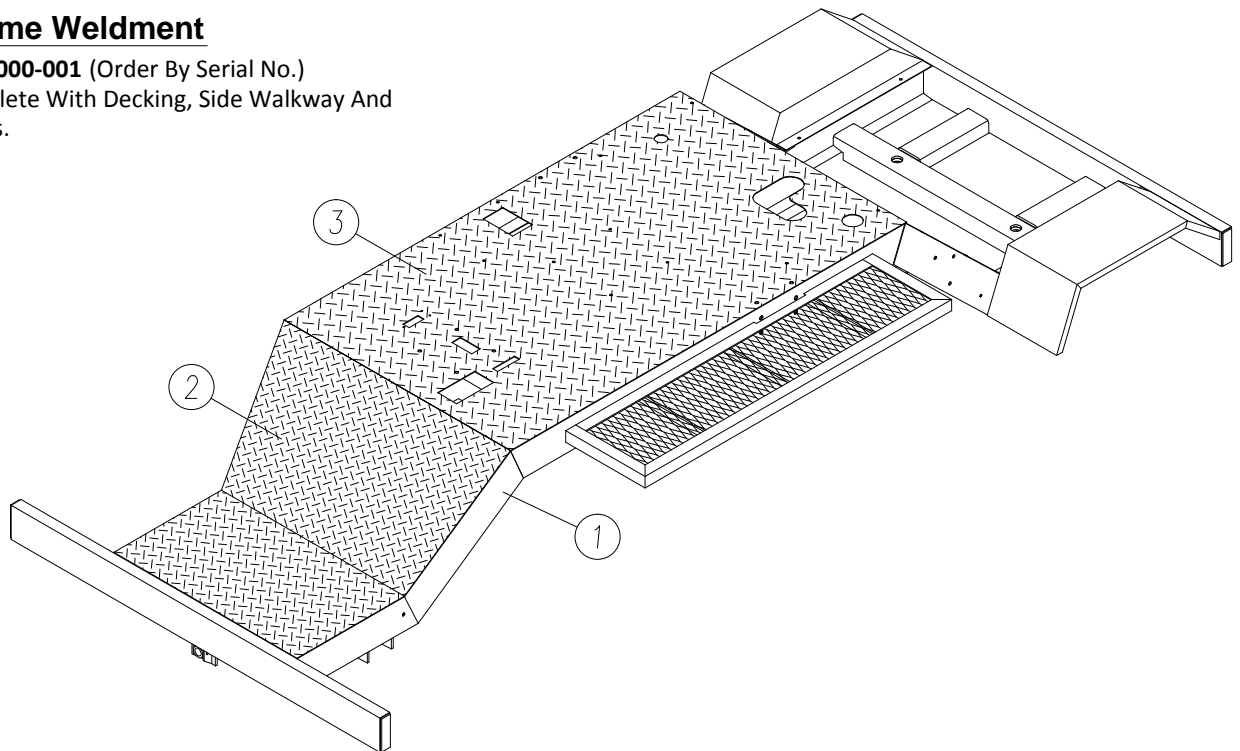
M-F 8 a.m. - 5 p.m. CST

*Courtesy of Machine.Market*

## Main Frame Weldment

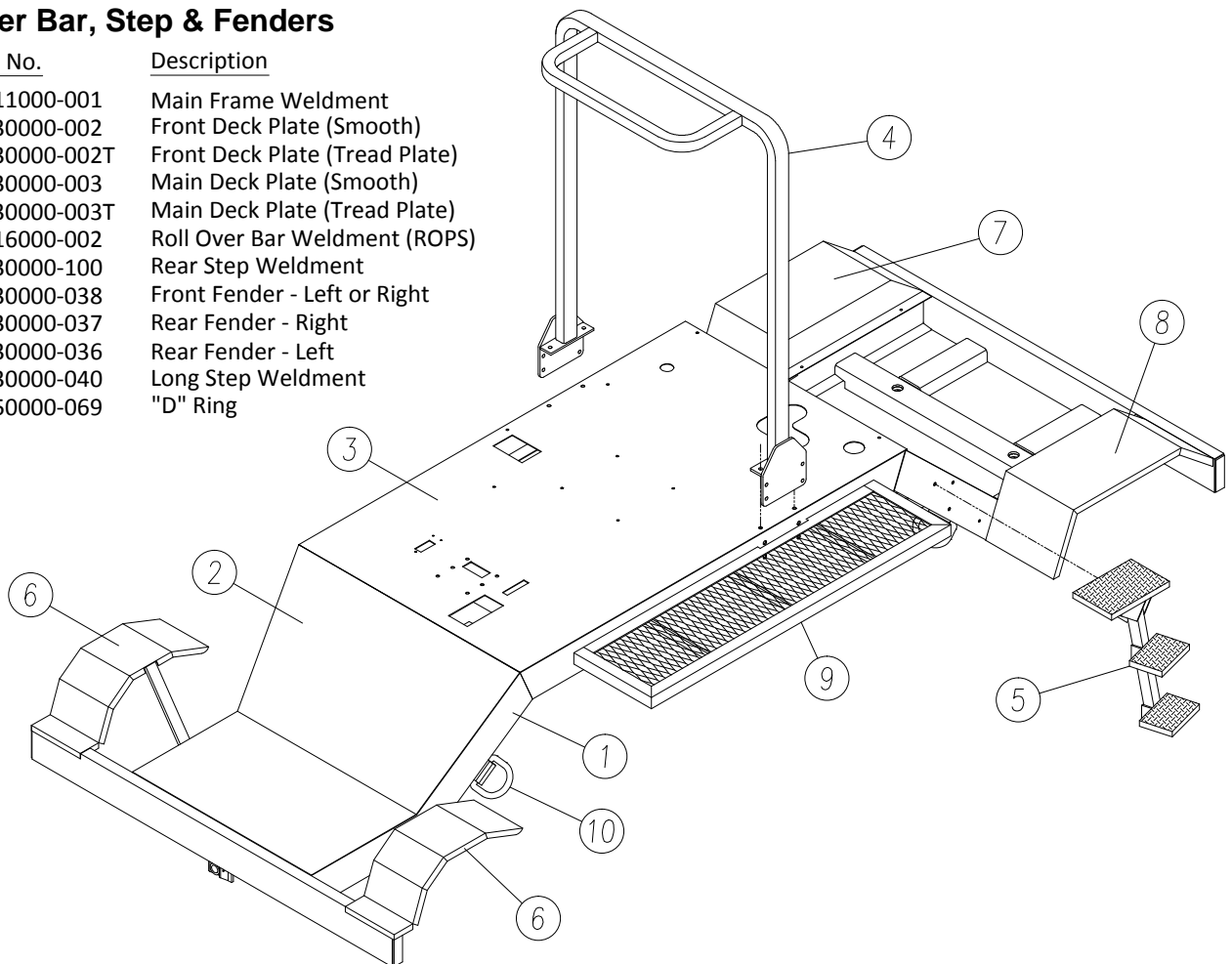
Part # 01-11000-001 (Order By Serial No.)

Frame Complete With Decking, Side Walkway And Rear Fenders.



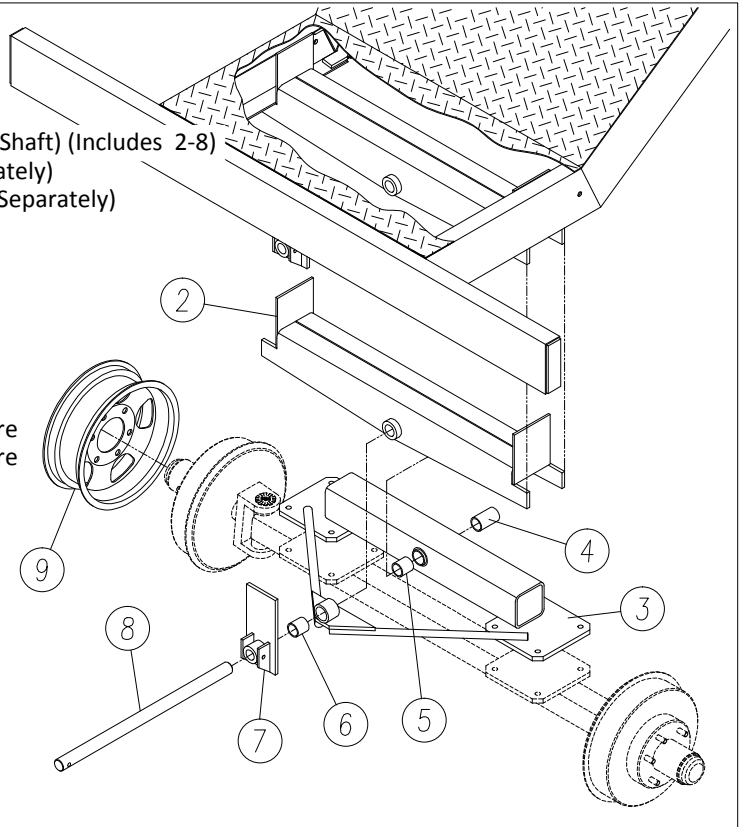
## Roll Over Bar, Step & Fenders

Item	Part No.	Description
1	01-11000-001	Main Frame Weldment
2	01-30000-002	Front Deck Plate (Smooth)
	01-30000-002T	Front Deck Plate (Tread Plate)
3	01-30000-003	Main Deck Plate (Smooth)
	01-30000-003T	Main Deck Plate (Tread Plate)
4	01-16000-002	Roll Over Bar Weldment (ROPS)
5	01-30000-100	Rear Step Weldment
6	01-30000-038	Front Fender - Left or Right
7	01-30000-037	Rear Fender - Right
8	01-30000-036	Rear Fender - Left
9	01-30000-040	Long Step Weldment
10	01-50000-069	"D" Ring



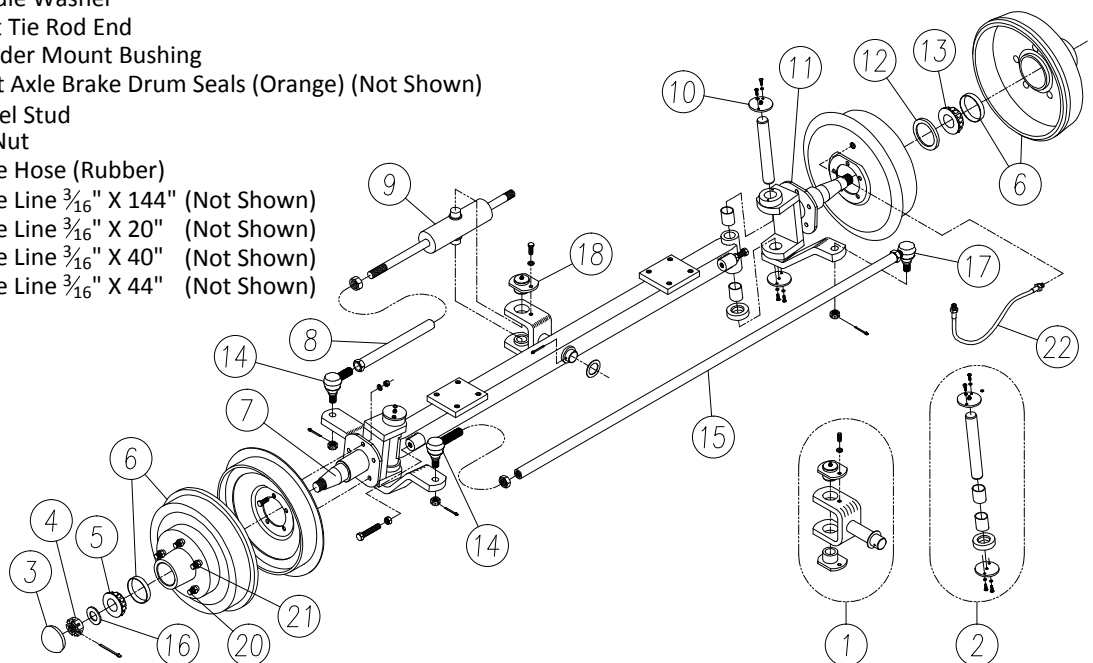
## Bolster Assembly

Item	Part No.	Description
1	01-14000-001	Bolster A-Frame Assembly (w/Brgs. & Shaft) (Includes 2-8)
2	01-14000-002	Bolster Frame Mount (Not Sold Separately)
3	01-14000-007	Bolster A-Frame Weldment (Not Sold Separately)
4	01-14000-107	Oil Lite Bearing 1.5"O.D. X 2.5" Lg.
5	01-14000-014	Oil Lite Bearing 1.5"O.D. X 2" Lg.
6	01-14000-016	Oil Lite Bearing 1.5"O.D. X 1.5" Lg.
7	01-14000-017	Bolster Nose Bearing Mount
8	01-14000-121	Bolster Pivot Shaft
9	01-5000-107	15" X 5-Bolt Wheel (Without Tire)
	01-5000-107B	15" X 6-Bolt Wheel (Without Tire)
	01-50000-119	15" X 6-Bolt Wheel w/ 235/75/R15 Tire
	01-50000-117	15" X 6-Bolt Wheel w/ 225/75/R15 Tire
	01-5000-117	16" X 6-Bolt Wheel (Without Tire)
	01-50000-118	16" X 6-Bolt Wheel w/ Tire
10	01-50000-106	Lug Nut (Not Shown)



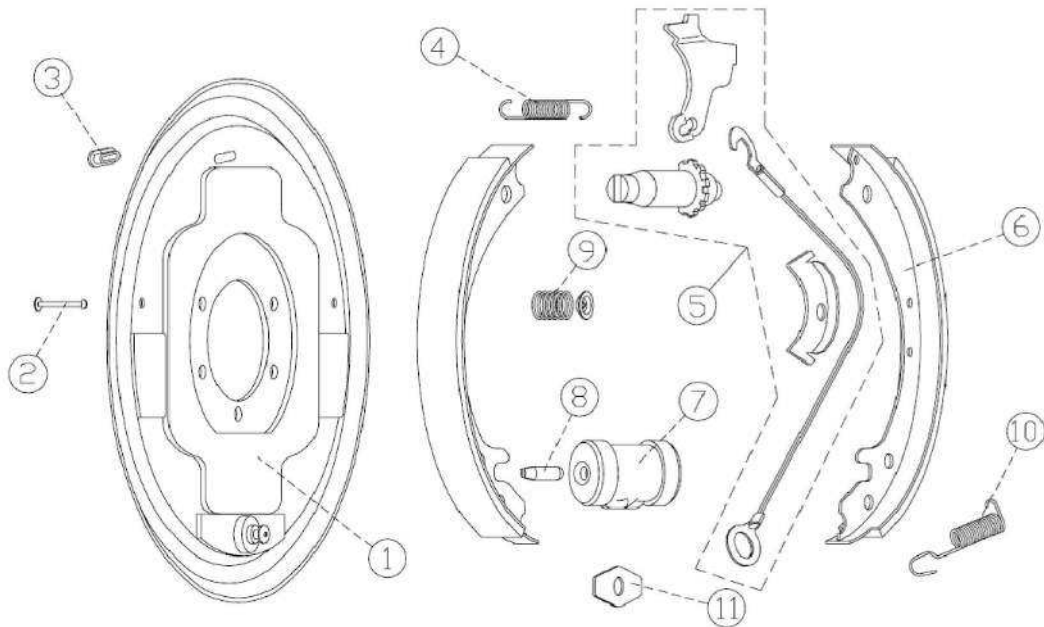
## Front Axle Assembly (Drum Brakes)

Item	Part No.	Description
1	01-14100-001	Cylinder Mount Assembly
2	01-14100-002	King Pin Kit - Does Both Sides
	01-14100-002B	King Pin Kit - One Side Only
3	01-14100-003	Grease Cap
4	01-14100-004	Castle Nut w/ Cotter Pin
5	01-14100-005	Outer Bearing - Bearing Only
6	01-14100-006	Hub & Drum Assembly (5 Bolt) - Includes Race & Studs
	01-14100-006B	Hub & Drum Assembly (6 Bolt) - Includes Race & Studs
7	01-14100-007	Knuckle w/ Spindle - Left
8	01-14100-008	Cylinder Tie Rod Tube (Short)
9	01-50000-003	Front Axle Steering Cylinder
	SK-ACAK2Q1Q	Seal Kit - Steering Cylinder (Not Shown)
10	01-14100-009	King Pin Cap - Included in 01-14100-002/002B (Not Sold Separately)
11	01-14100-010	Knuckle w/ Spindle - Right
12	01-14100-011	Inner Seal
13	01-14100-012	Inner Bearing - Bearing Only
14	01-14100-013	Left Tie Rod End
15	01-14100-014	Tie Rod Tube (Long)
16	01-14100-015	Spindle Washer
17	01-14100-016	Right Tie Rod End
18	01-14100-017	Cylinder Mount Bushing
19	01-50000-002	Front Axle Brake Drum Seals (Orange) (Not Shown)
20	35491-FB	Wheel Stud
21	01-50000-106	Lug Nut
22	01-50000-013	Brake Hose (Rubber)
23	01-50000-014	Brake Line $\frac{3}{16}$ " X 144" (Not Shown)
24	01-50000-016	Brake Line $\frac{3}{16}$ " X 20" (Not Shown)
25	01-50000-017	Brake Line $\frac{3}{16}$ " X 40" (Not Shown)
26	01-50000-018	Brake Line $\frac{3}{16}$ " X 44" (Not Shown)



When ordering Tie Rod Ends, the front axle requires (2) Left's & (1) Right.

For Axle Assembly Order Part # **01-50000-001**, Steering Cylinder & Brake Lines Sold Separately



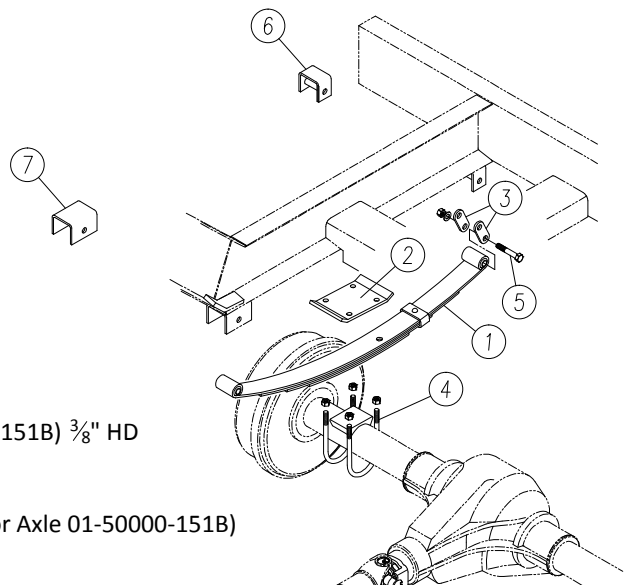
### Front Brake Assembly

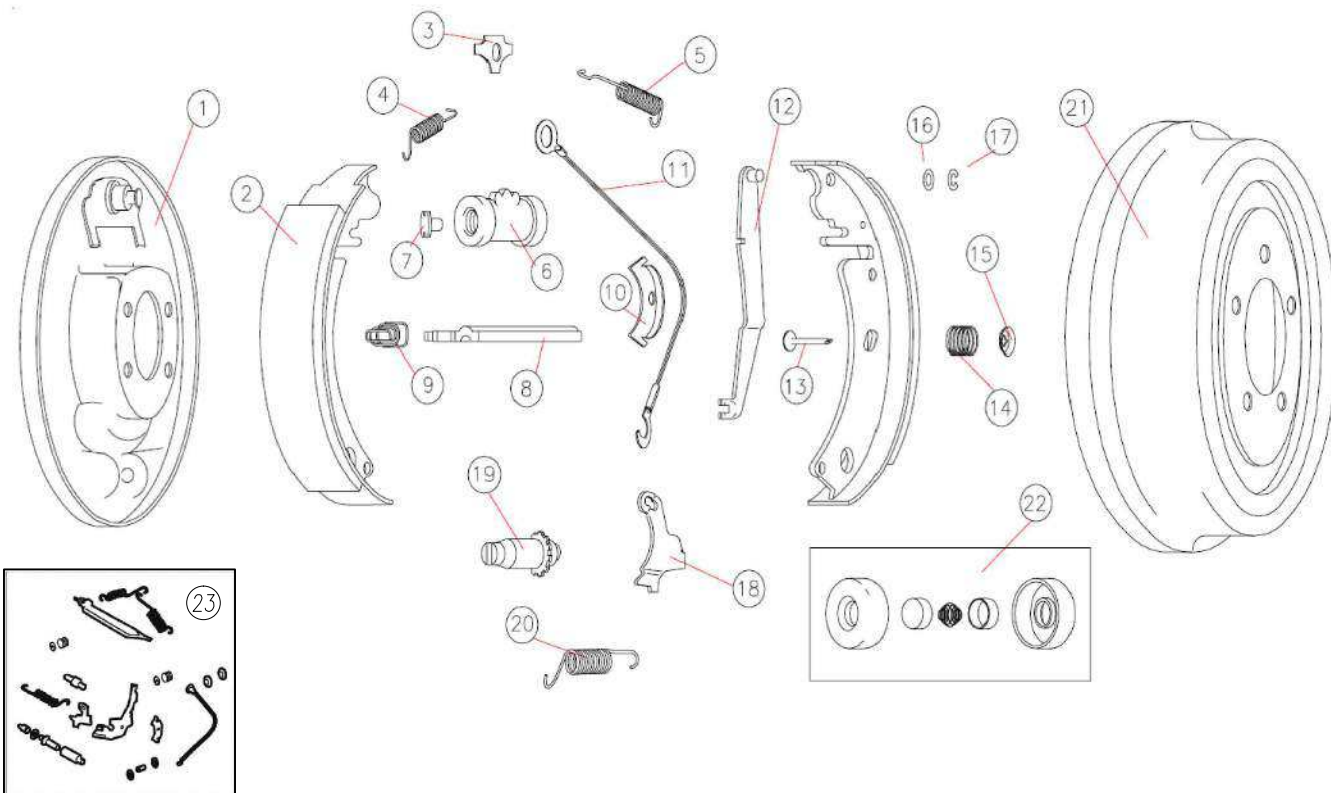
Item	Part No.	Description	Qty.
1	01-14000-020L 01-14000-020R	Backing Plate Assembly (Left) Backing Plate Assembly (Right)	1 1
2	01-14000-021	Pin	2
3	01-14000-022	Cover	1
4	01-14000-023	Spring	1
5	01-14000-024L 01-14000-024R	Front Brake Adjusting Kit (Left) Front Brake Adjusting Kit (Right)	1 1
6	01-14000-028	Shoe Set (Includes 4 Shoes) Does Both Sides	1
7	01-14000-026L 01-14000-026R	Wheel Cylinder (Left) Wheel Cylinder (Right)	1 1
8	01-14000-027	Push Rod	2
9	01-14000-025	Hold Down Spring w/Cap	2
10	01-14000-029	Return Spring	2
11	01-14000-030	Anchor	1

Wheel Cylinder Repair Kit is Not Available For The Front Brake Assembly.

### Rear Axle Springs

Item	Part No.	Description
1	01-50000-011	Leaf Spring (2 Req'd)
2	01-50000-009 01-50000-009C	"U" Bolt Plate (2 Req'd) "U" Bolt Plate (2 Req'd) (For Axle 01-50000-151B) 3/8" HD
3	01-50000-007	Spring Shackle (2 Per Side)
4	01-50000-010 01-50000-010C	"U" Bolt & Nuts (2 Per side) "U" Bolt & Nuts (2 Per Side) Fine Thread (For Axle 01-50000-151B)
5	01-50000-008	Shackle Bolt & Nut (3 Per Side)
6	01-50000-006	Rear Spring Hanger (1 Per Side)
7	01-50000-005	Front Spring Hanger (1 Per Side)





## Rear Brake Assembly

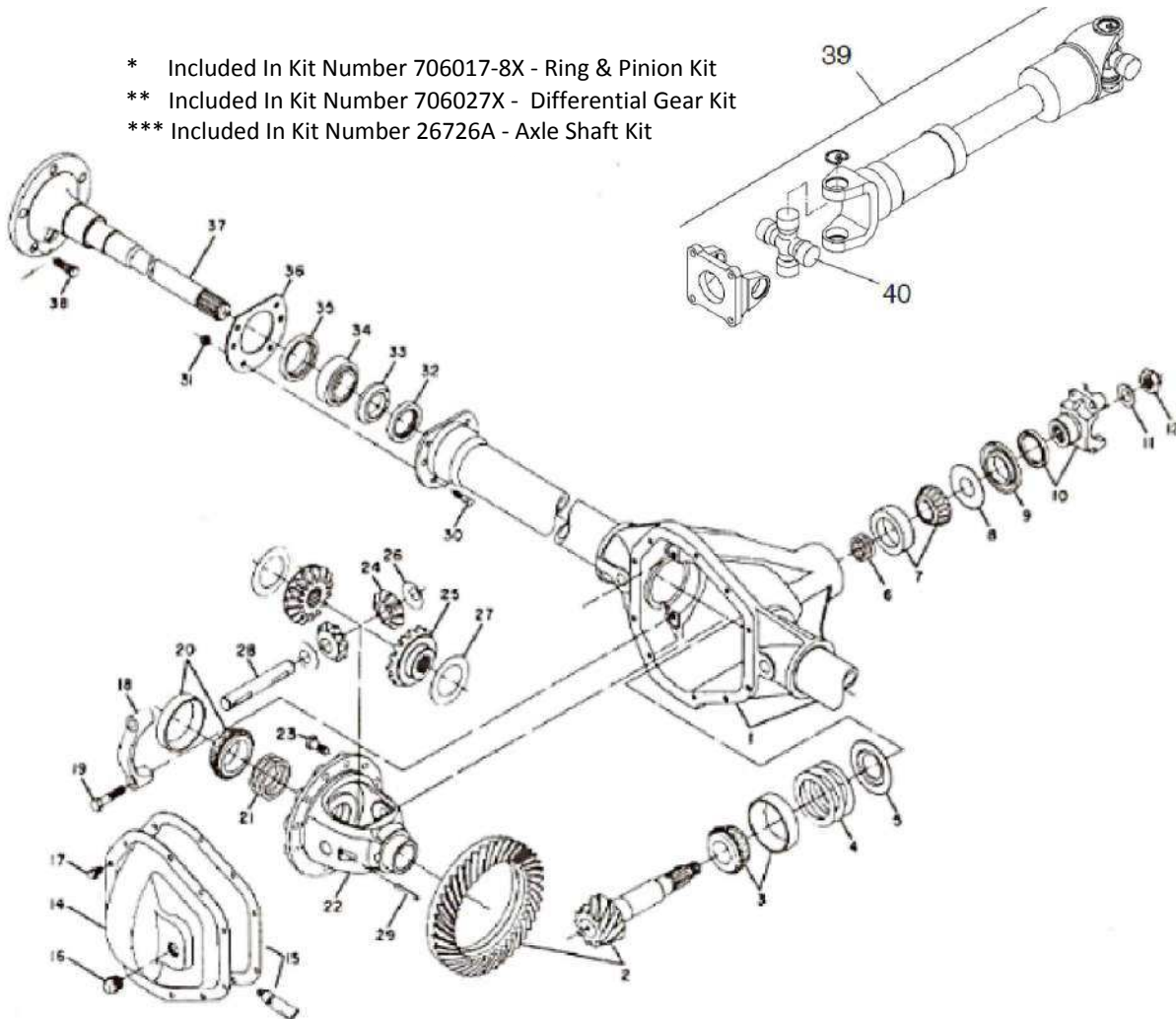
Item	Part No.	Description	Qty.
1	01-50001-004L	Backing Plate Assembly (Left)	1
	01-50001-004R	Backing Plate Assembly (Right)	1
2	01-50001-005	Shoe Set (4 Shoes) - Does Both Sides	1
3	01-50001-006	Anchor	1
4	01-50001-007	Return Spring (Front)	1
5	01-50001-008	Return Spring (Rear)	1
6	01-50001-009L	Wheel Cylinder (Left)	1
	01-50001-009R	Wheel Cylinder (Right)	1
7	01-50001-010	Push Rod	2
8	01-50001-011	Strut	1
9	01-50001-012	Spring	1
10	01-50001-013	Guide	1
11	01-50001-014	Cable	1
12	01-50001-015L	Parking Brake Lever (Left)	1
	01-50001-015R	Parking Brake Lever (Right)	1
13	01-50001-016	Pin, Shoe Hold Down	2
14	01-50001-017	Hold Down Spring	2
15	01-50001-018	Cup, Hold Down	2
16	01-50001-019	Spacer	1
17	01-50001-020	Retainer	1
18	01-50001-021L	Adjusting Lever (Left)	1
	01-50001-021R	Adjusting Lever (Right)	1
19	01-50001-022L	Adjusting Screw Assembly (Left)	1
	01-50001-022R	Adjusting Screw Assembly (Right)	1
20	01-50001-023	Spring	1
21	01-50001-024	Brake Drum (5-Bolt)	1
	01-50001-024B	Brake Drum (6-Bolt) Dana Axle	1
	01-50001-024C	Brake Drum (6-Bolt) Currie Axle	1
22	01-50001-025	Wheel Cylinder Repair Kit	A/R
23	SB-BHDWR (L or R)	Brake Hardware Kit, Specify Left or Right	2

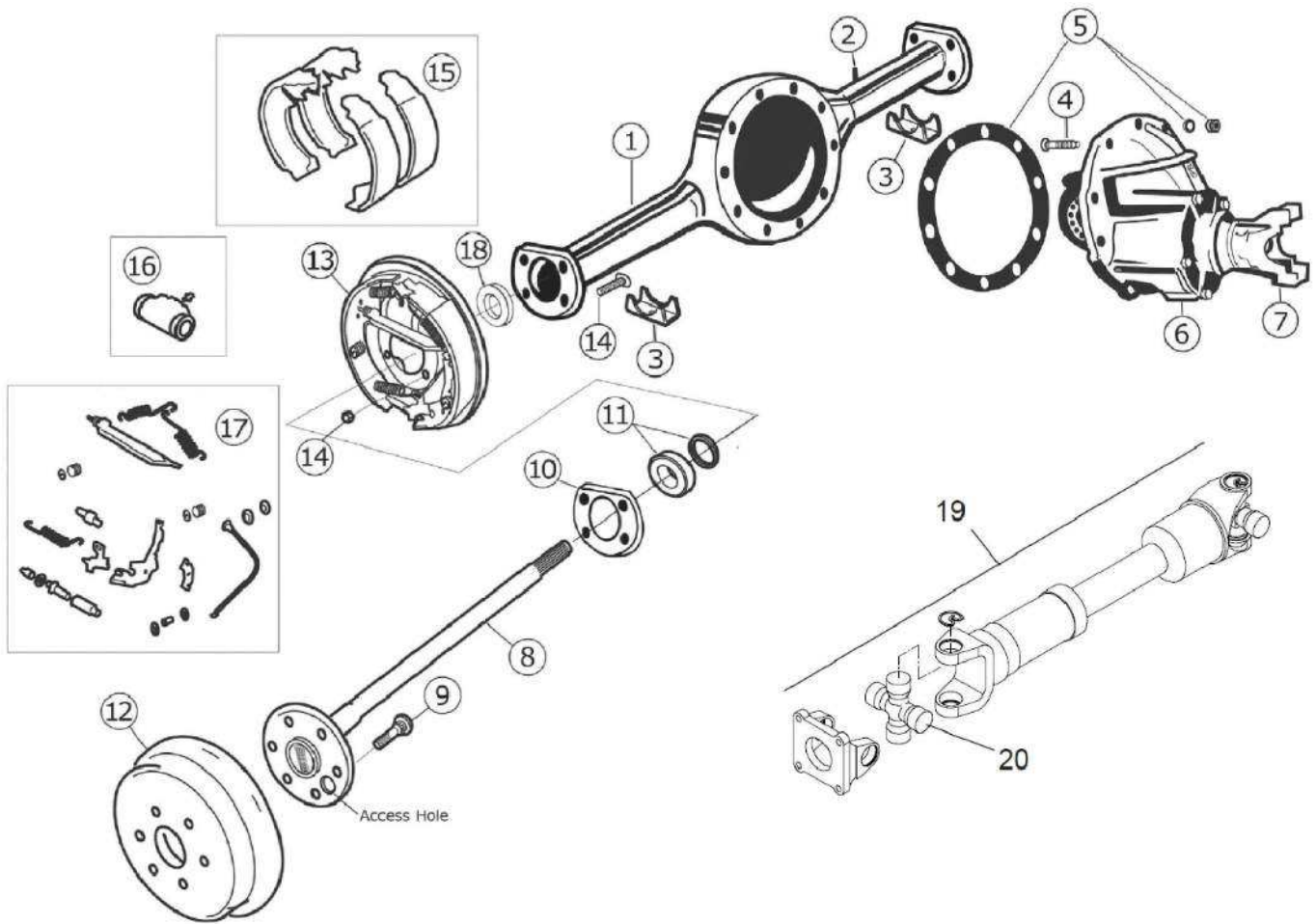
## Rear Axle Assembly

**01-50000-144 Rear Axle Assembly (6 Bolt) (Serial # 802001 Thru 810095)** (Used Until July 2010)

Item	Part No.	Description	Item	Part No.	Description
1	459109 C94	Axle Housing	23	41221	Bolt - Drive Gear
2	* NSS	Gear & Pinion Set	24	** NSS	Pinion - Differential
3	* 706031X	Inner Pinion Bearing	25	** NSS	Differential Gear
4	* NSS	Shim - Drive Pinion	26	** NSS	Thrust Washer - Differ. Pinion
5	* 30765	Baffle - Pinion Bearing	27	** NSS	Thrust Washer - Differ. Gear
6	* NSS	Shim - Pinion Bearing	28	** NSS	Differential Shaft
7	* 706030X	Outer Pinion Bearing	29	** 13449	Lock - Differential Shaft
8	30764	Slinger	30	34616-1	Bolt - Brake Mounting
9	* 35723	Pinion Seal	31	35704	Nut - Brake Mounting
10	3-4-5761-1X	End Yoke Assembly	32	34419	Seal - Shaft Inboard
11	* 30186	Washer - Pinion Nut	33	*** 36797	Retaining Ring - Wheel Bearing
12	* 30185	Pinion Nut	34	*** 565903	Bearing Assembly
13	N/A		35	*** 35239	Seal - Shaft Outboard
14	27316-X	Cover - Carrier	36	*** 35490	Retainer - Oil Seal
15	** 34685	Gasket - Carrier Cover	37	*** 26726A	Axle Shaft (5 - Bolt Flange)
16	36472	Plug - Cover			Axle Shaft (6 - Bolt Flange) Serial Number 805213 & Up
17	41221	Bolt - Drive Gear	38	*** 35491	Bolt - Wheel
18	NSS	Cap - Differential Bearing	39	01-50000-012	Drive Shaft Assembly (Complete)
19	500400-20	Bolt - Differential Bearing Cap	40	01-50000-013UJ	U-Joint (2 Req'd)
20	706032X	Differential Bearing Kit			
21	706086X	Shim - Differential Bearing			
22	32684	Differential Case			

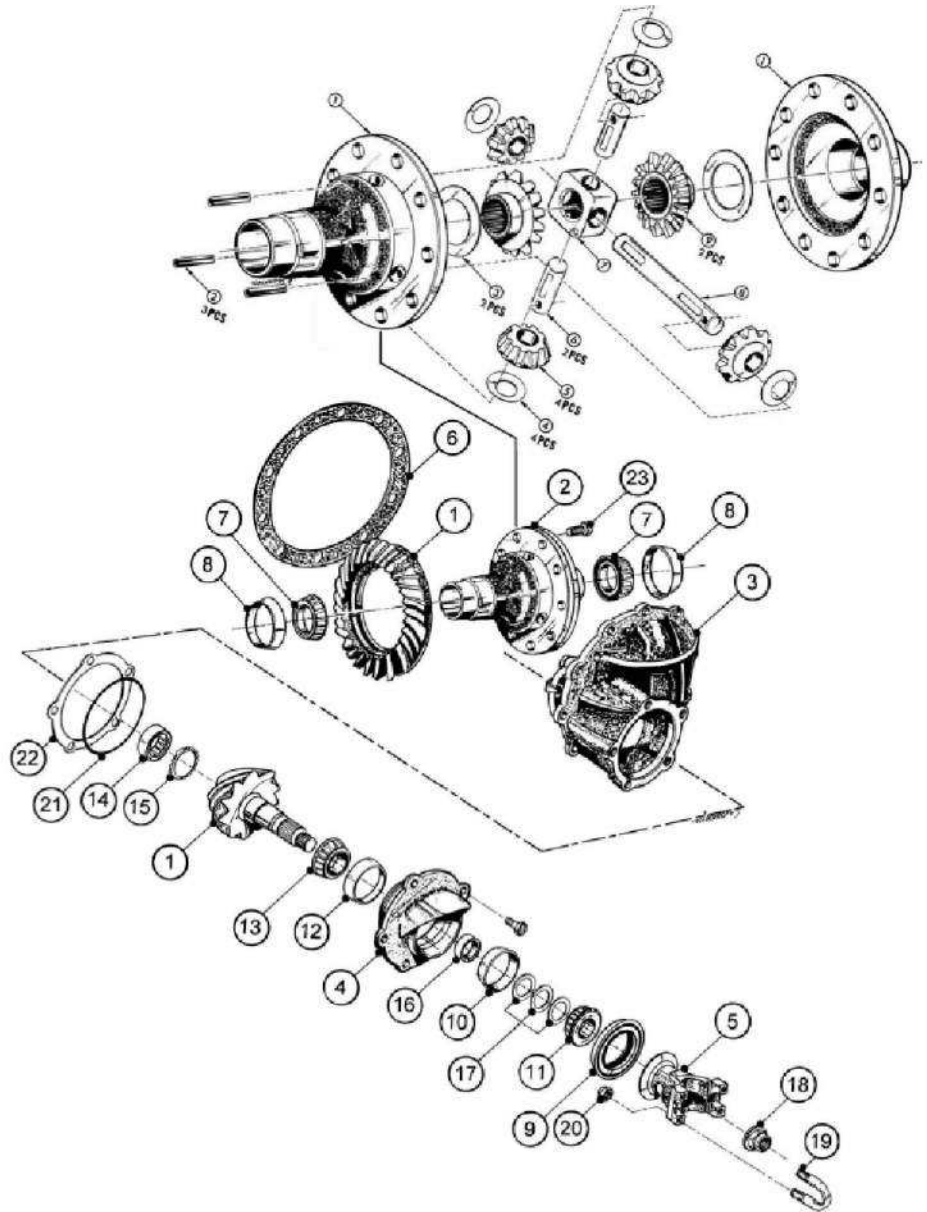
- \* Included In Kit Number 706017-8X - Ring & Pinion Kit
- \*\* Included In Kit Number 706027X - Differential Gear Kit
- \*\*\* Included In Kit Number 26726A - Axle Shaft Kit





**Rear Axle 01-50000-151B - Heavy Duty (Serial # 810096 & Up) (Starting July 2010)**  
**HD Axle Upgrade Kit - Part No. (BOM-01-50000-151B)**

Item	Part No.	Description	Qty.
1	SB-2001L	Rearend Housing	1
2	SB-9028N	Housing Vent - Brass Nipple Style	1
3	SB-7000C	Spring Pads - 2" Wide - Pair - Loose	2
4	SB-95031	3rd Member Housing Stud	10
5	SB-9007	3rd Member Gasket Kit w/ 10 Nuts & 10 Washers	1
6	SB-90D543SS	Complete, Assembled 3rd Member, Including Yoke	1
	SB-90D543LS	Limited Slip 3rd Member	1
7	SB-4044N	1350 Short Yoke / Input Yoke	1
8	SB-1005 (L or R)	31 Spline CTF Axle (Specify Left or Right Side)	2
9	SB-9000C	1/2" - 20 Wheel Stud	12
10	35490	Wheel Bearing Retainer Plate	2
11	SB-8000S	Wheel Bearing w/ O-Ring & Locking Collar	2
12	01-50001-024C	Brake Drum	2
13	01-50001-004L	Brake Backing Plate - Loaded - Left	1
	01-50001-004R	Brake Backing Plate - Loaded - Right	1
14	SB-8012	3/8" T-Bolt w/ Stover Nut	8
15	01-50001-005	Brake Shoes - Set of 4 (Does Both Sides)	1
16	01-50001-009L	Wheel Cylinder, Left	1
	01-50001-009R	Wheel Cylinder, Right	1
17	SB-BHDWR (L or R)	Brake Hardware Kit, Specify Left or Right	2
18	SB-8013	Axle Seal	2
19	01-50000-012B	Drive Shaft HD Rear Axle (Starting July 2010)	1
20	01-50000-013UJ	U-Joint	2



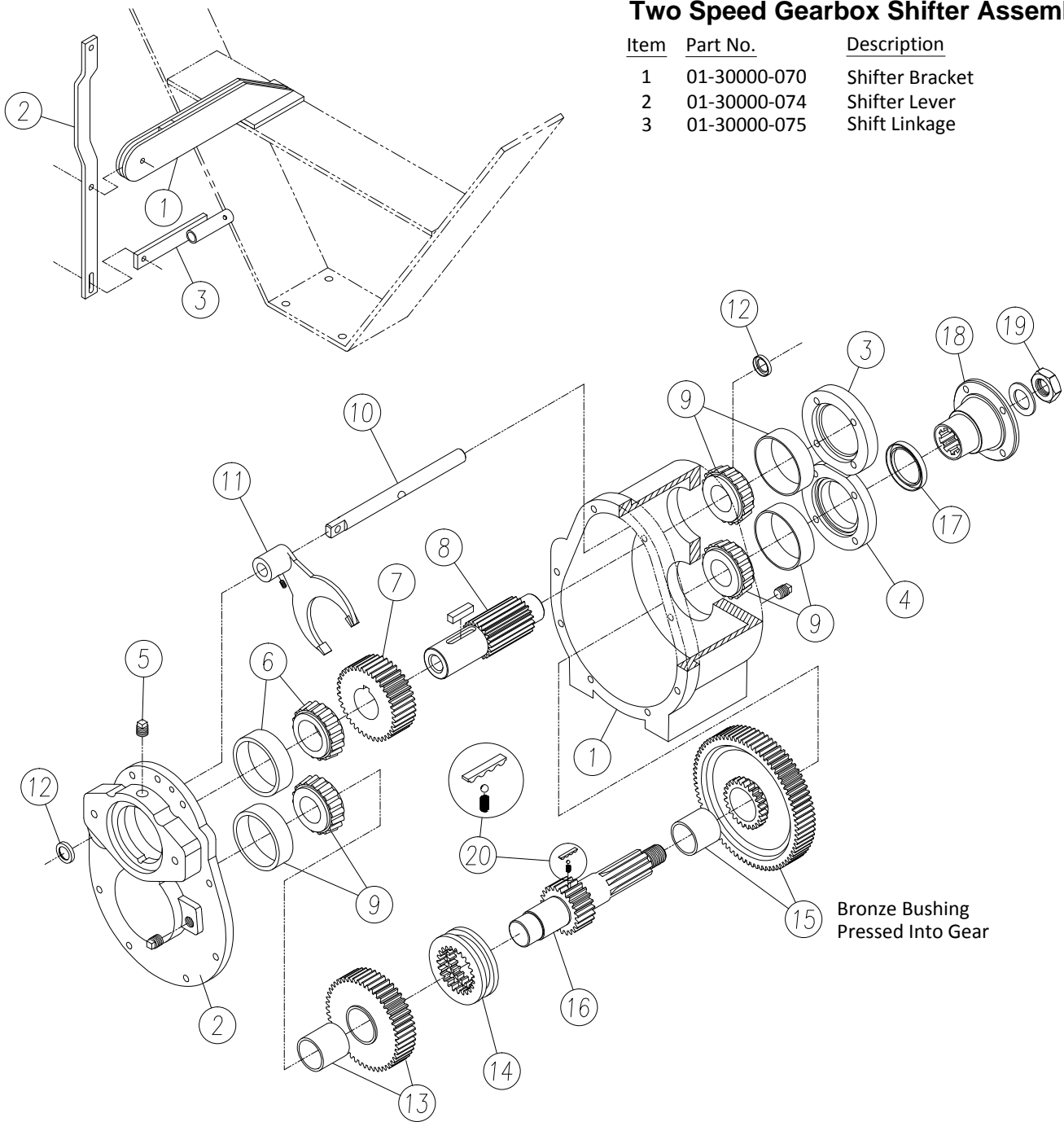
### Rear Axle Open Carrier 3rd Member

Item	Part No.	Description	Qty.
1	SB-4013	Ring & Pinion 5.43 Ratio	1
2	SB-95008	Open Carrier	1
3	SB-4026C	Gear Case	1
4	SB-94031	Pinion Support	1
5	SB-4044N	Input Yoke - 1350 Series	1
6	SB-8009	Third Member Gasket	1
7 & 8	SB-8006	Carrier Bearing & Race	2
9	SB-8011	Pinion Seal	1
10 & 11	SB-8002	Front Pinion Bearing & Race	1
12 & 13	SB-8003	Rear Pinion Bearing & Race	1
14	SB-8016	Pocket Bearing	1
15	SB-8020	Pocket Bearing Retainer	1
16 & 17	SB-4039	Solid Spacer w/ Preload Shims	1
18	SB-4053	Pinion Nut	1
19 & 20	SB-4060	U-Joint Strap Kit 1-3/16" Cup (Kit)	1
21	SB-4061	O-Ring	1
22	SB-4040	Pinion Depth Shim Kit (5 Shims)	1
23	SB-4075	Ring Gear Bolts - Each	10



## Two Speed Gearbox Shifter Assembly

Item	Part No.	Description
1	01-30000-070	Shifter Bracket
2	01-30000-074	Shifter Lever
3	01-30000-075	Shift Linkage



## Two Speed Gearbox Assembly 01-50000-087

Item	Part No.	Description	Item	Part No.	Description
1	01-50001-087	Main Housing	11	01-50001-097	Shift Fork
2	01-50001-088	Housing Cover	12	01-50001-098	Shift Rail Seal Kit
3	01-50001-089	Bearing Cap	13	01-50001-099	High Range Gear
4	01-50001-090	Bearing & Seal Cap	14	01-50001-100	Sliding Collar
5	01-50001-091	Vent Plug	15	01-50001-101	Low Range Gear
6	01-50001-092	Bearing Assembly (Input Shaft)	16	01-50001-102	Output Shaft
* 7	01-50001-093	Pinion Gear w/ Key	17	01-50001-103	Output Shaft Seal
* 8	01-50001-094	Input Shaft	18	01-50001-104	Output Flange
9	01-50001-095	Bearing Assembly (Output Shaft)	19	01-50001-105	Flange Nut
10	01-50001-096	Shift Rail	20	01-50001-106	Detent Kit
			21	01-50001-107	Shim Kit (Not Shown)
			22	01-50001-108	Drain Plug (Not Shown)

\* - Must Be Purchased Together

## John Deere Engine Filters

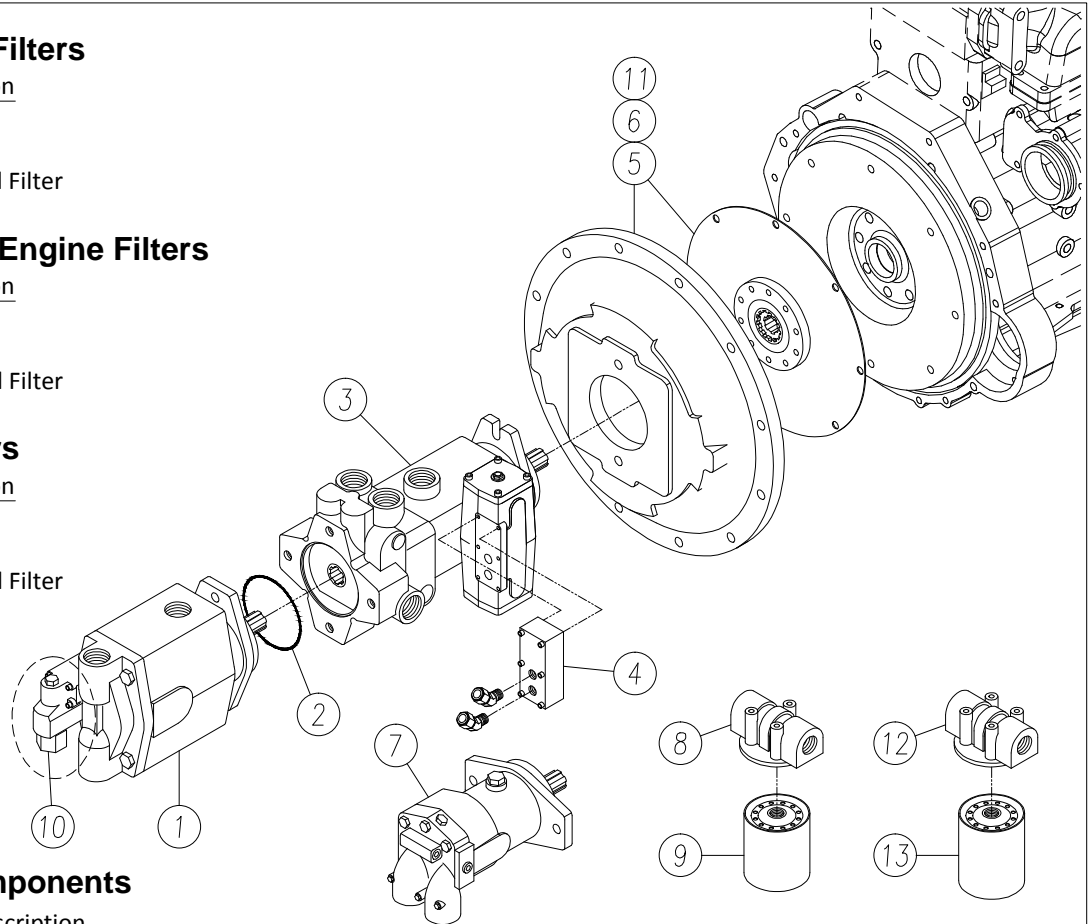
Part No.	Description
RE504836	Oil Filter
RE522868	Fuel Filter
02-50000-627	Inline Fuel Filter

## Cummins 3.3 Turbo Engine Filters

Part No.	Description
LF16011	Oil Filter
FF5432	Fuel Filter
02-50000-627	Inline Fuel Filter

## Kubota Engine Filters

Part No.	Description
06-50000-402	Oil Filter
06-50000-403	Fuel Filter
02-50000-627	Inline Fuel Filter



## Hydrostat Drive Components

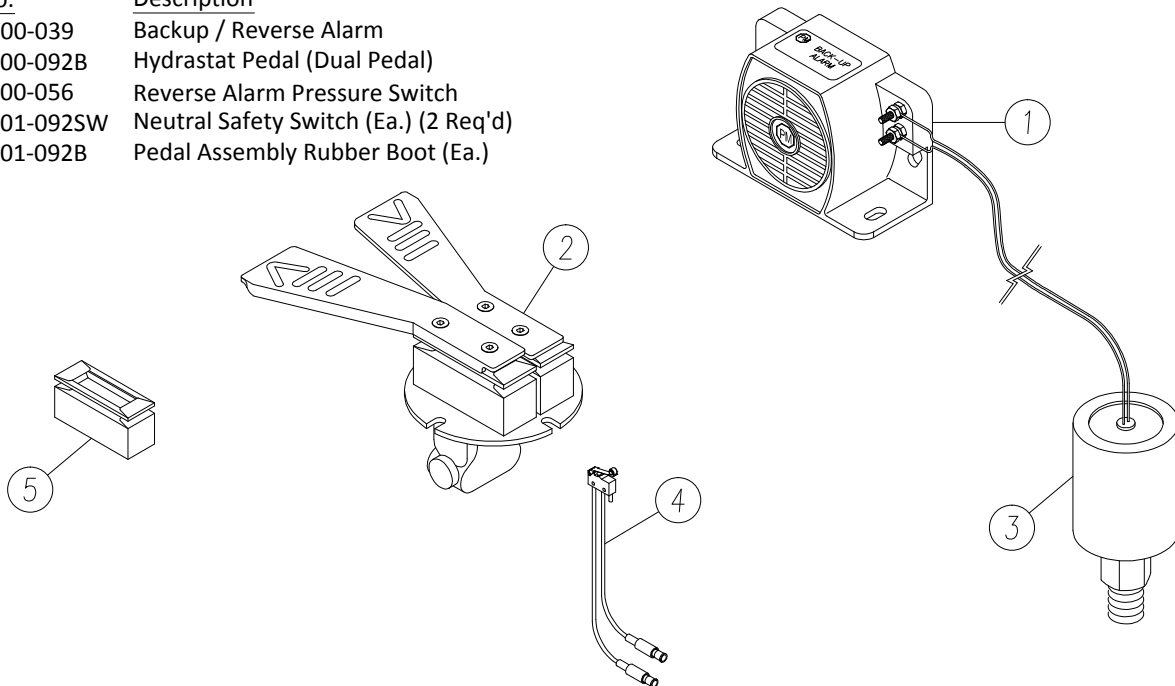
Item	Part No.	Description
1	01-50600-002	Compensator Pump - Red (Up To Serial # 810055)
	01-50600-002B	Compensator Pump - Blue (Serial # 810056 To 814930)
	01-50600-002R	Compensator Pump - Black / Rexroth (Serial # 814931 To Present)
2	01-50600-007	"O" Ring (Hydrostat To Comp. Pump) (For 01-50600-002, 01-50600-002B, & 01-50600-009)
	11-50600-007	"O" Ring (Hydrostat To Comp. Pump) (For 01-50600-002R & 01-50600-009R)
3	01-50600-009	Hydrostat Piston Pump
	01-50600-009R	Hydrostat Piston Pump / Rexroth (Serial # 814931 To Present)
4	72401-AS	Hyd. Pressure Operated Servo
5	02-50000-601	Bell Housing Assembly w/ Drive Plate (John Deere & Kubota SAE #4)
6	04-50000-601	Bell Housing Assembly w/ Drive Plate (Cummins)
7	01-50600-008	Gearbox Motor (Hyd. Piston Motor)
	01-50600-008R	Gearbox Motor (Hyd. Piston Motor) / Rexroth (Serial # 814931 To Present)
8	01-50600-005	Filter Head
9	01-50600-004	Filter Element (Includes O-Ring) (Serial # 815019 & Down)
10	01-50601-002	Load Sensor Cartridge Assembly
	01-50600-056	Reverse Alarm Pressure Switch (See Next Page)
11	06-50000-601	Bell Housing Assembly w/ Drive Plate (Kubota) - SAE #3
12	01-50600-006	Filter Head (Serial # 815020 To Present)
13	01-50600-004M	Filter Element (Includes O-Ring) (Serial # 815020 To Present)

## Seal Kits (Not Shown)

16253-18	Hydrostat Pump Front Shaft Seal (Non-Stock) (For 01-50600-002 & 01-50600-009)
72400-908	Hydrostat Pump Seal Kit (For 01-50600-009)
72400-621	Hydrostat Pump Cover Plate Gasket (For 01-50600-009)
70422-915	Compensator Pump Seal Kit (For 01-50600-002)
9900633-000	Compensator Pump Seal Kit (For 01-50600-002B)
SK-R902487515	Compensator Pump Seal Kit (For 01-50600-002R)
SK-R902095614	Hydrostat Pump Seal Kit (For 01-50600-009R)
SK-R902002387	Hydrostat Pump Front Shaft Seal (For 01-50600-009R)
SK-R913032365	Hydrostat Pump Interface Seal (For 01-50600-009R)

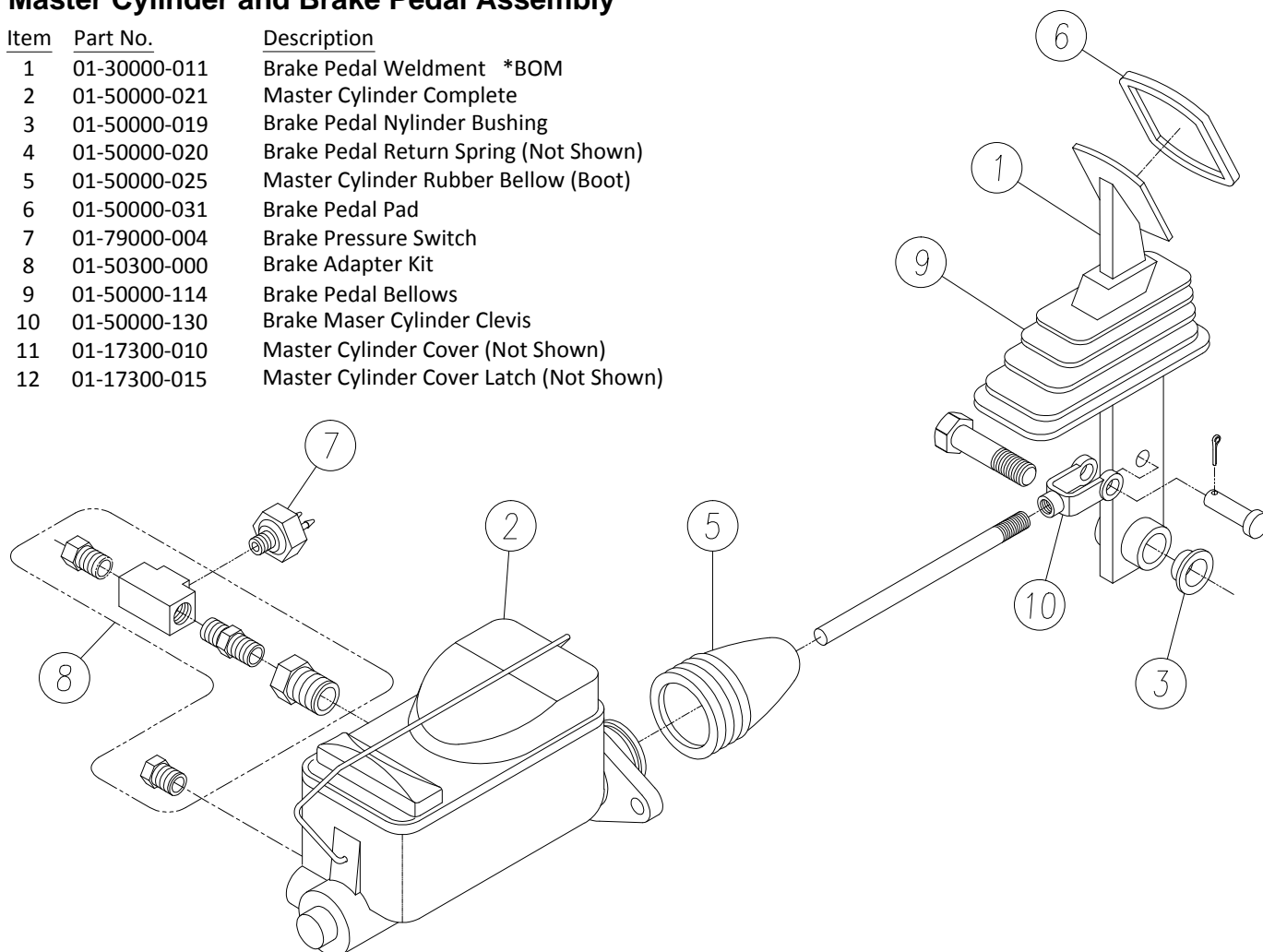
## Directional Control Pedal & Backup Alarm (Serial # 805295 & Up)

Item	Part No.	Description
1	01-50000-039	Backup / Reverse Alarm
2	01-50000-092B	Hydrastat Pedal (Dual Pedal)
3	01-50600-056	Reverse Alarm Pressure Switch
4	01-50001-092SW	Neutral Safety Switch (Ea.) (2 Req'd)
5	01-50001-092B	Pedal Assembly Rubber Boot (Ea.)



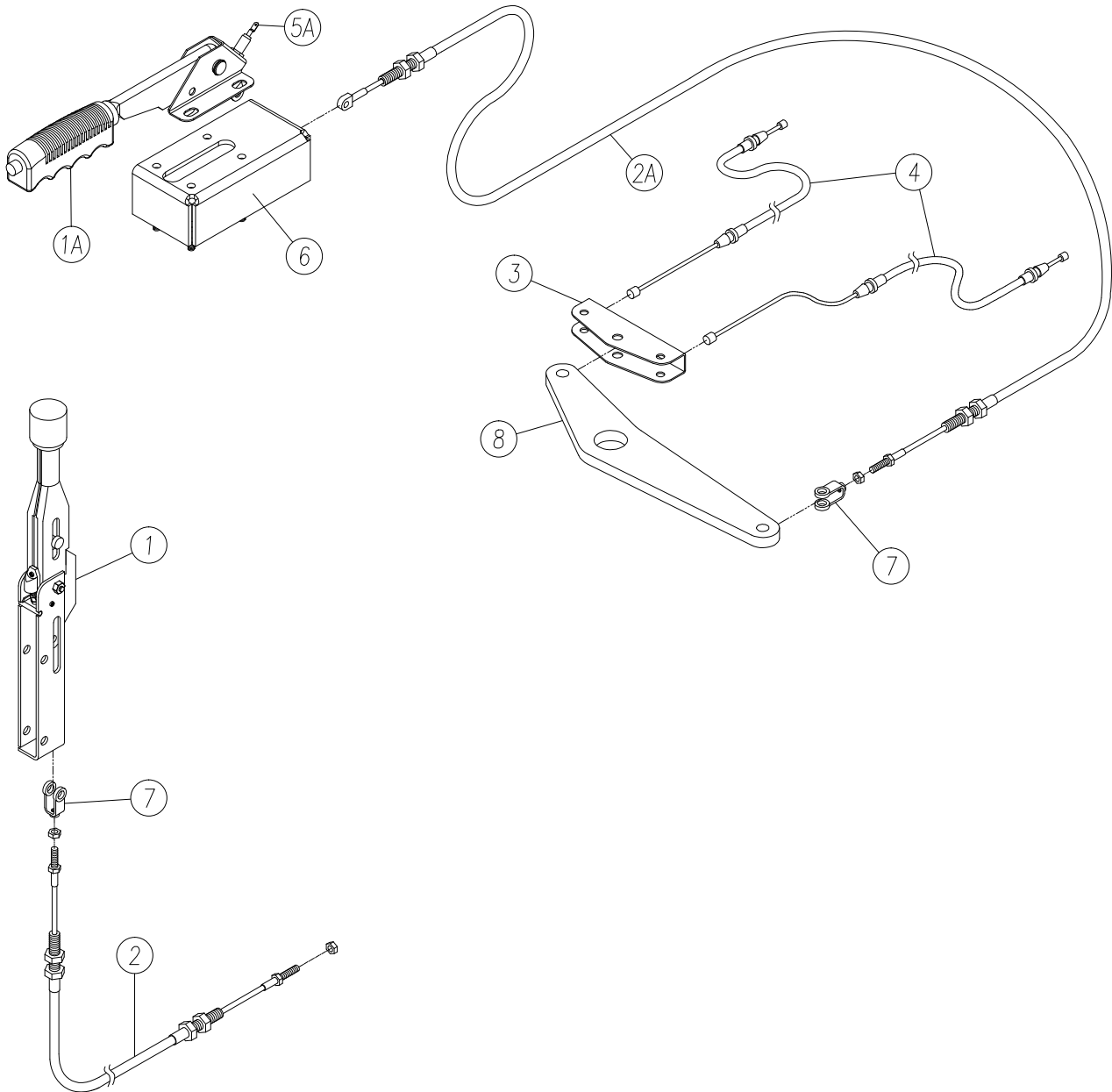
## Master Cylinder and Brake Pedal Assembly

Item	Part No.	Description
1	01-30000-011	Brake Pedal Weldment *BOM
2	01-50000-021	Master Cylinder Complete
3	01-50000-019	Brake Pedal Nylon Bushing
4	01-50000-020	Brake Pedal Return Spring (Not Shown)
5	01-50000-025	Master Cylinder Rubber Bellow (Boot)
6	01-50000-031	Brake Pedal Pad
7	01-79000-004	Brake Pressure Switch
8	01-50300-000	Brake Adapter Kit
9	01-50000-114	Brake Pedal Bellows
10	01-50000-130	Brake Master Cylinder Clevis
11	01-17300-010	Master Cylinder Cover (Not Shown)
12	01-17300-015	Master Cylinder Cover Latch (Not Shown)



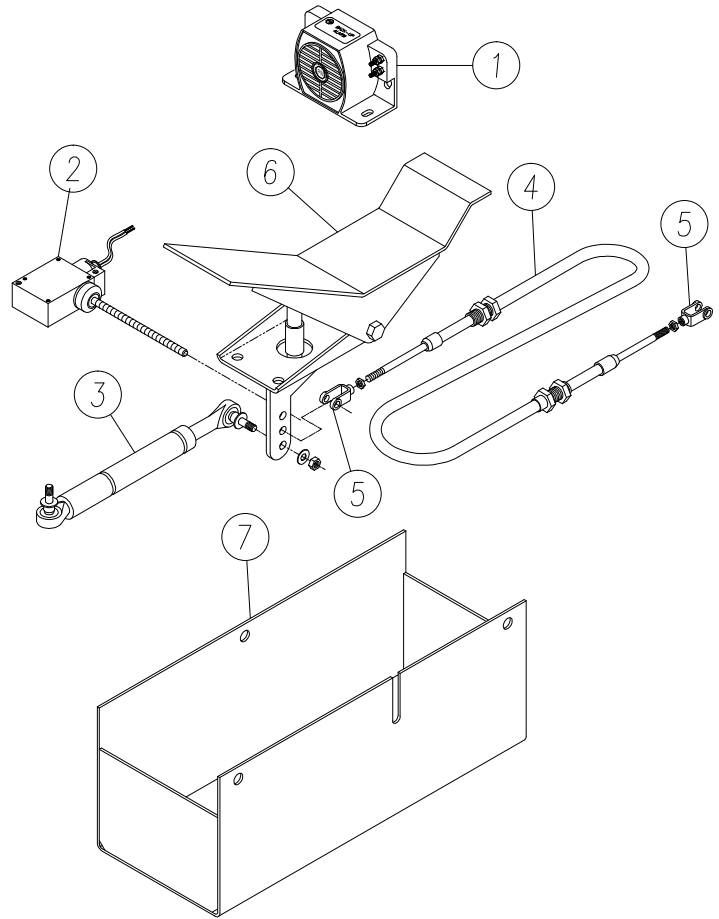
## Parking Brake Lever Assembly

Item	Part No.	Description
1	01-50000-029	Parking Brake Lever Assembly (Serial # 807686 & Down)
1A	01-50000-029B	Parking Brake Lever Assembly (Serial # 807687 To Present)
2	01-50000-027	Parking Brake Primary Cable (Serial # 807686 & Down)
2A	01-50000-027B	Parking Brake Primary Cable (Serial # 807687 To Present)
3	01-50000-026	Parking Brake Cable Equalizer
4	01-50000-028	Parking Brake Secondary Cable (2 Req'd)
5	01-50001-026	Parking Brake Switch (Serial # 807686 & Down) (Not Shown)
5A	01-50001-026B	Parking Brake Switch (Serial # 807687 To Present)
6	01-50001-029	Parking Brake Mount
7	01-50000-101	Clevis
8	11-30001-011	Bell Crank

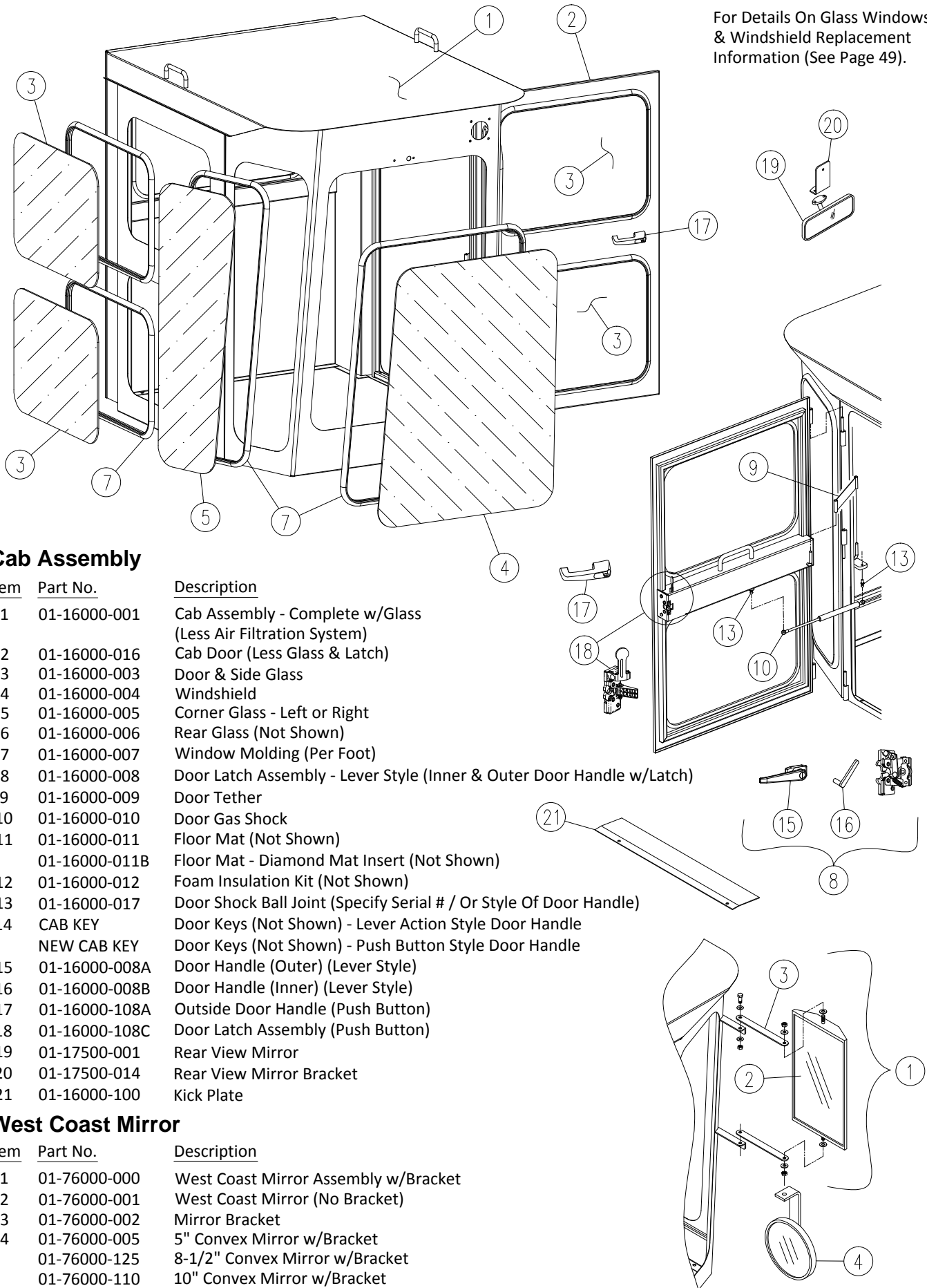


## Directional Control Pedal & Backup Alarm Serial # 805294 & Older

Item	Part No.	Description
1	01-50000-039	Backup / Reverse Alarm
2	01-50000-040	Reverse Alarm Switch
3	01-50000-088	Gas Spring
4	01-50000-089B	Hydrostat Cable
5	01-50000-090	Hydrostat Cable Clevis
6	01-50000-092	Directional Control Pedal
7	01-30000-054	Hydrostat Shock Cover



For Details On Glass Windows & Windshield Replacement Information (See Page 49).



### Cab Assembly

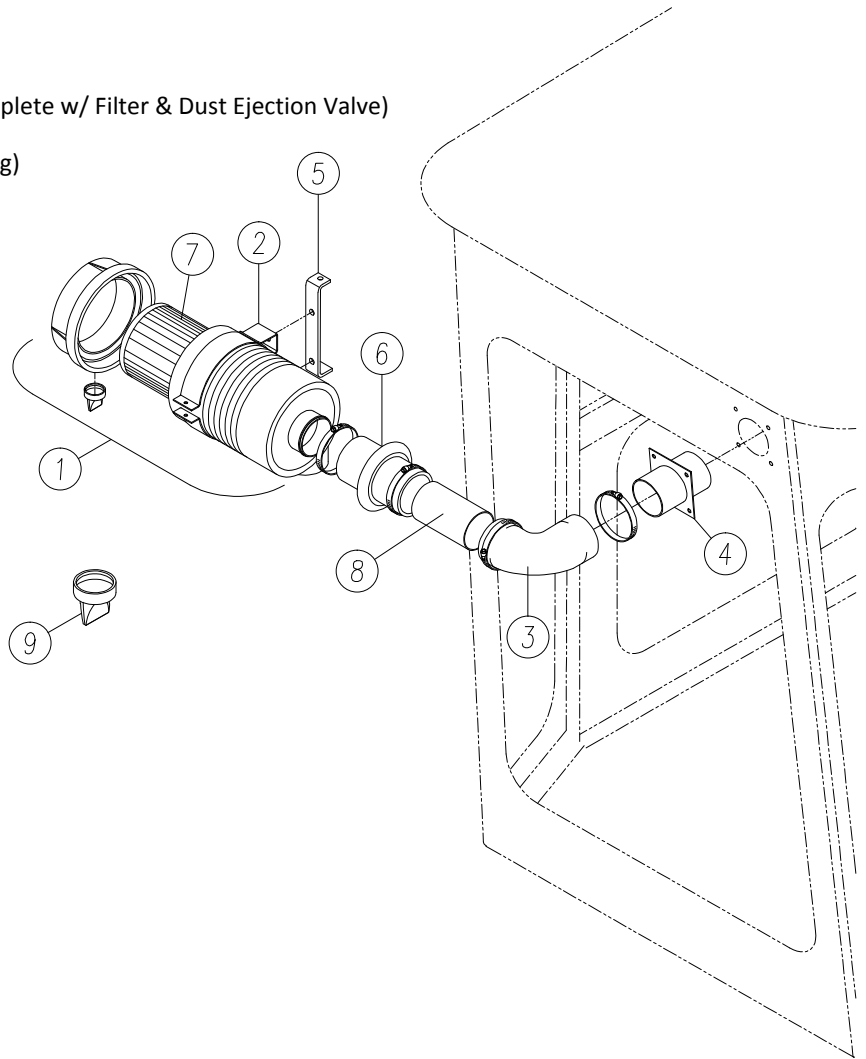
Item	Part No.	Description
1	01-16000-001	Cab Assembly - Complete w/Glass (Less Air Filtration System)
2	01-16000-016	Cab Door (Less Glass & Latch)
3	01-16000-003	Door & Side Glass
4	01-16000-004	Windshield
5	01-16000-005	Corner Glass - Left or Right
6	01-16000-006	Rear Glass (Not Shown)
7	01-16000-007	Window Molding (Per Foot)
8	01-16000-008	Door Latch Assembly - Lever Style (Inner & Outer Door Handle w/Latch)
9	01-16000-009	Door Tether
10	01-16000-010	Door Gas Shock
11	01-16000-011	Floor Mat (Not Shown)
	01-16000-011B	Floor Mat - Diamond Mat Insert (Not Shown)
12	01-16000-012	Foam Insulation Kit (Not Shown)
13	01-16000-017	Door Shock Ball Joint (Specify Serial # / Or Style Of Door Handle)
14	CAB KEY	Door Keys (Not Shown) - Lever Action Style Door Handle
	NEW CAB KEY	Door Keys (Not Shown) - Push Button Style Door Handle
15	01-16000-008A	Door Handle (Outer) (Lever Style)
16	01-16000-008B	Door Handle (Inner) (Lever Style)
17	01-16000-108A	Outside Door Handle (Push Button)
18	01-16000-108C	Door Latch Assembly (Push Button)
19	01-17500-001	Rear View Mirror
20	01-17500-014	Rear View Mirror Bracket
21	01-16000-100	Kick Plate

### West Coast Mirror

Item	Part No.	Description
1	01-76000-000	West Coast Mirror Assembly w/Bracket
2	01-76000-001	West Coast Mirror (No Bracket)
3	01-76000-002	Mirror Bracket
4	01-76000-005	5" Convex Mirror w/Bracket
	01-76000-125	8-1/2" Convex Mirror w/Bracket
	01-76000-110	10" Convex Mirror w/Bracket

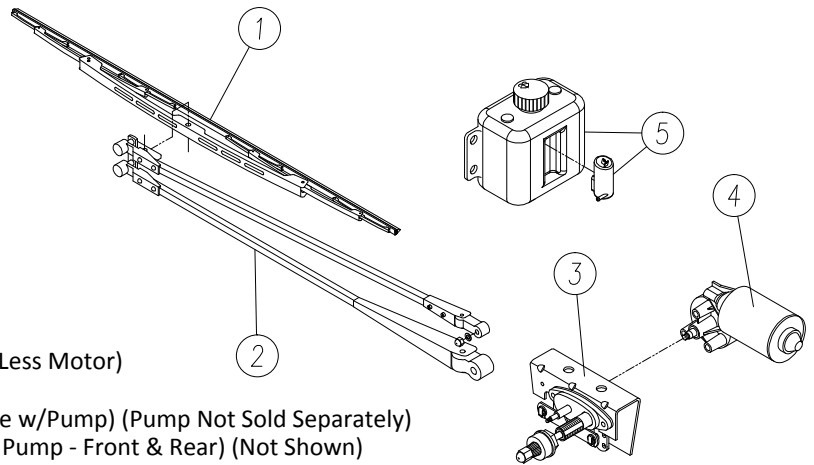
## Cab Air Filtration Assembly

Item	Part No.	Description
1	01-86000-002	Air Filter Canister (Complete w/ Filter & Dust Ejection Valve)
2	01-86000-003	Clamp
3	01-50000-042	Elbow 3" X 3" X 90 (Long)
4	01-86000-012	Bulkhead Adapter
5	01-86000-015	Bracket
6	01-86000-018	Hump Hose
7	01-86000-120	Filter
8	01-86000-019	Cab Air Filtration Tube
9	01-86001-048	Dust Ejection Valve



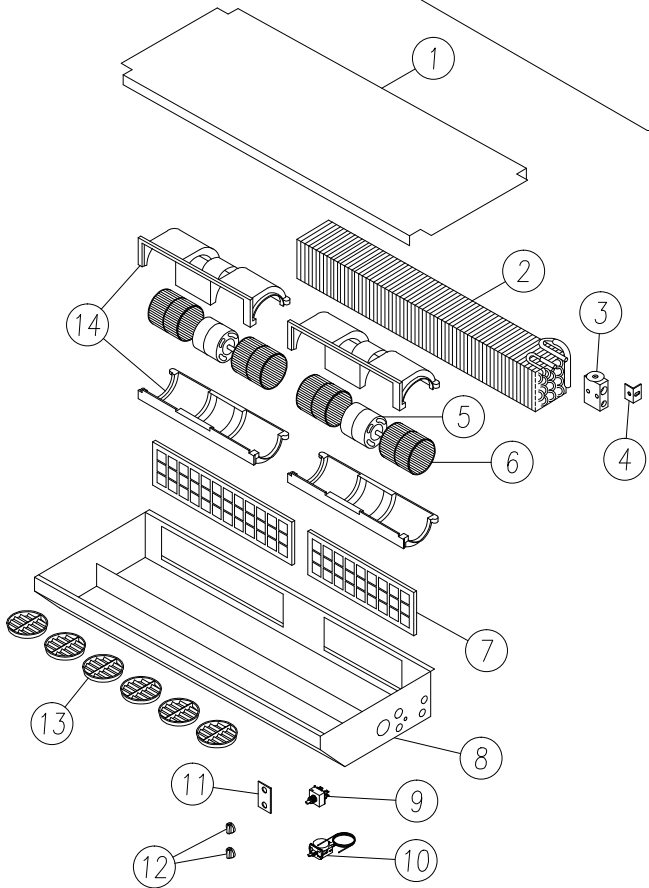
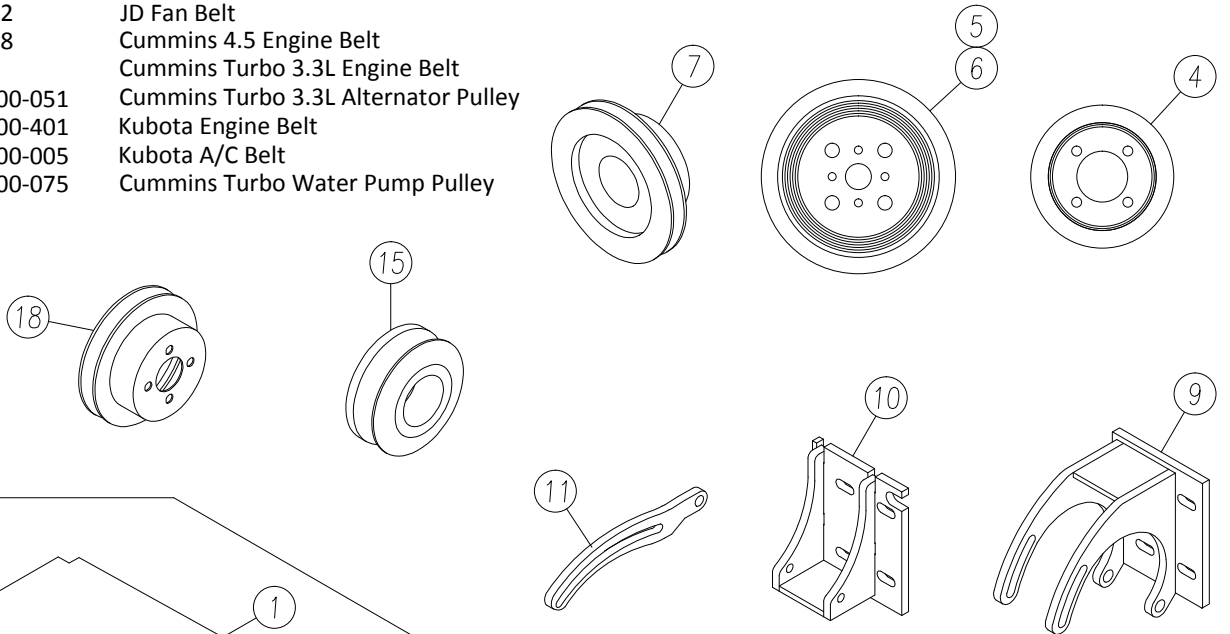
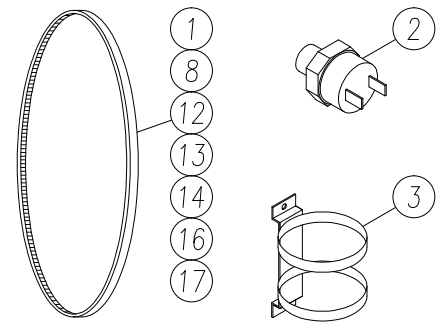
## Windshield Wiper Assembly

Item	Part No.	Description
1	01-16000-025	Wiper Blade
2	01-16000-026	Wiper Blade Arms (Set)
3	01-16000-027	Wiper Drive Assembly (Less Motor)
4	01-16000-028	Wiper Motor
5	01-83000-002	Washer Pump Kit (Bottle w/Pump) (Pump Not Sold Separately)
6	01-83000-006	Washer Pump Kit (Dual Pump - Front & Rear) (Not Shown)
7	01-83000-001	Washer Kit (Washer Tube & Spray Nozzle) (Not Shown)
8	01-83000-004	Spray Tube (Not Shown)
9	01-81000-001	Rear Wiper Motor (Not Shown)
10	01-81000-002	Rear Wiper Blade (Not Shown)
11	01-81000-003	Rear Wiper Arm (Not Shown)
12	BOM-01-83000-000	Front Washer Assembly (Not Shown)
13	BOM-01-83000-000R	Rear Washer Assembly (Not Shown)
14	BOM-01-81000-000	Rear Wiper Assembly (Not Shown)



## Air Conditioner Parts, Pulleys, & Belts

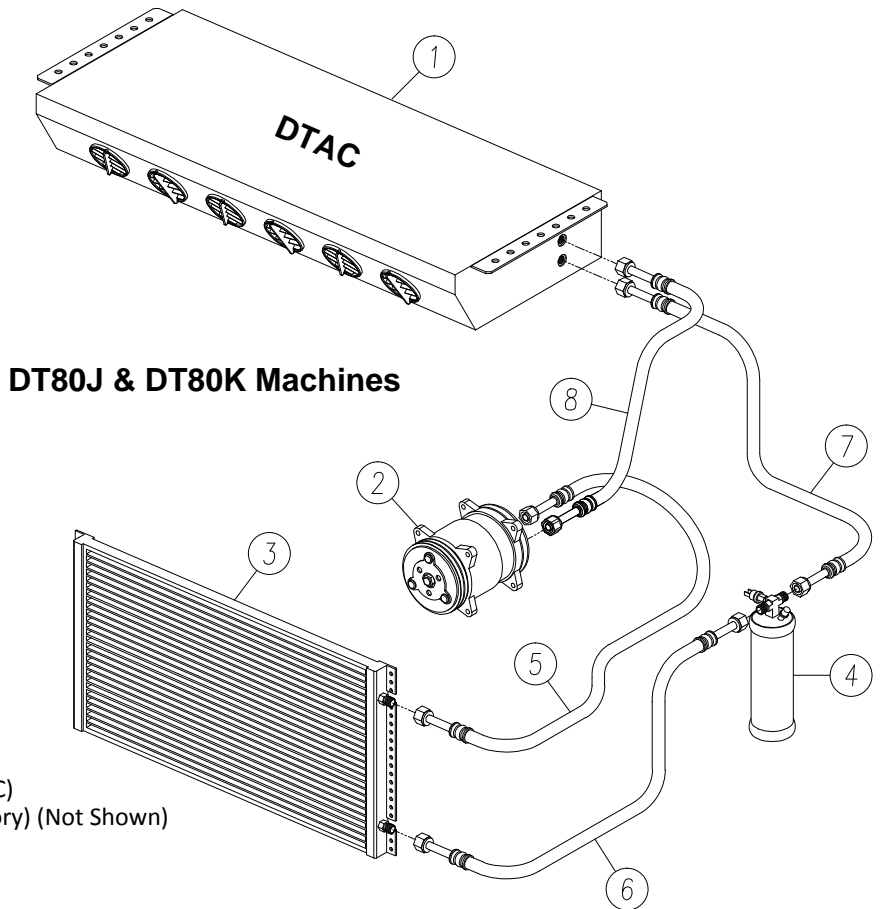
Item	Part No.	Description
1	03-86000-005	A/C Belt Cummins 4.5L (Serial # 805211 & Below)
	04-86000-005	A/C Belt Cummins Turbo 3.3L (Serial # 805212 & Up)
2	01-86000-010	Binary Switch
3	01-86000-008	Drier Bracket
4	02-10000-002	A/C Pulley John Deere
5	03-10000-002	A/C Crank Pulley Cummins 4.5L (Serial # 805211 & Below)
6	04-10000-002	A/C Crank Pulley Cummins Turbo 3.3L (Serial # 805212 & Up)
7	06-10000-002	A/C Pulley Kubota
8	02-86000-005	A/C Belt John Deere
9	02-10000-003	Compressor Bracket
10	06-10000-003	Compressor Bracket Kubota
11	06-10000-004	Compressor Bracket Arm Kubota
12	R123432	JD Fan Belt
13	3289078	Cummins 4.5 Engine Belt
14	T22485	Cummins Turbo 3.3L Engine Belt
15	04-10000-051	Cummins Turbo 3.3L Alternator Pulley
16	06-50000-401	Kubota Engine Belt
17	06-86000-005	Kubota A/C Belt
18	04-10000-075	Cummins Turbo Water Pump Pulley



## Model DT80 DTAC Air Conditioner Parts

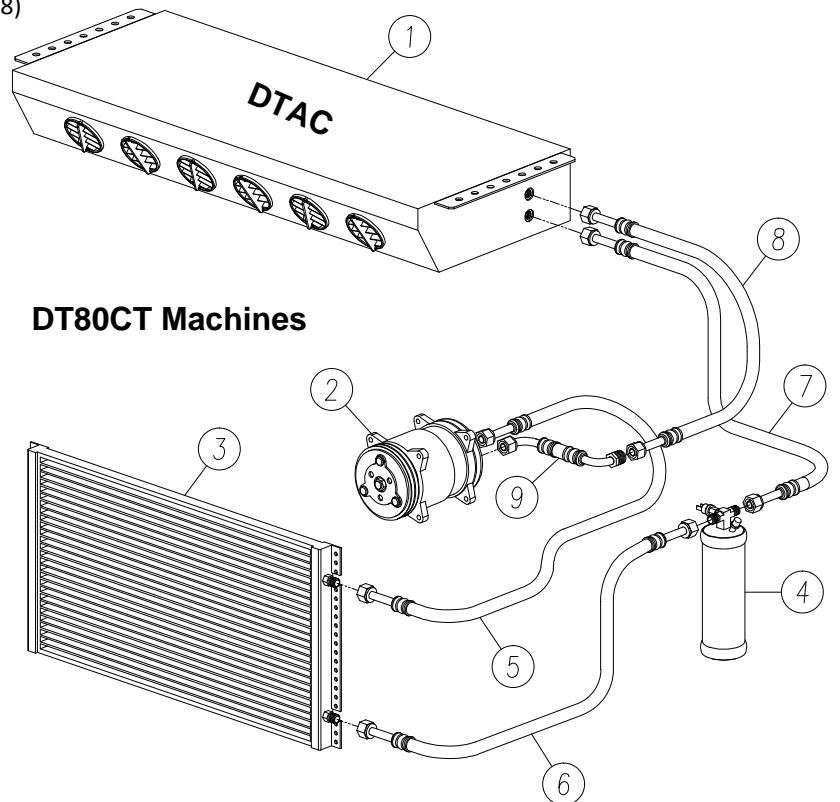
Item	Part No.	Description
1	31-50020	Housing Lid
2	07-00316	Evaporator Coil
3	04-15004	Expansion Valve
4	50-50500	Expansion Valve Bracket
5	02-17003	12V Motor (2)
6	02-16020	Blower Wheel (4)
7	31-50000	Intake Filter (1)
	50-00005	Small Intake Filter (1)
8	31-50019	Bottom Housing
9	03-13006	Switch
10	03-14002	Thermostat
11	12-50419	Switch Plate
12	03-00165	Thermostat / Fan Control Knob
13	02-16061	3.5" Louver (6)
14	02-16060	Top & Bottom Housings
15	12-00315	Wiring Harness (Not Shown)
16	03-01702	Blower Motor Relay (Not Shown)
17	30-51580	Blower Motor Assembly (Includes 5,6 & 14)
18	30-11126	Switch Pigtail (Not Shown)
19	30-13029	40A Circuit Breaker (Not Shown)





**Air Conditioner Parts**

Item	Part No.	Description
1	01-86000-007	Evaporator Unit (DTAC)
	01-86000-107	Evaporator Unit (Victory) (Not Shown)
2	01-86000-014	Compressor
3	01-86000-013	Condenser
4	01-86000-009	Drier
5	01-86600-113	Compressor To Condensor Hose
6	01-86600-109	Drier To Condensor Hose
7	01-86600-107	Evaporator To Drier Hose
8	01-86600-114	Compressor To Evaporator Hose
9	04-86000-025	Cummins S-Bend Hose
10	01-86000-020	Hose Kit (Includes 5,6,7 & 8)



Manufacturers Recommendations:  
 When Changing Lines #6 Or #7,  
 It Is Recommended To Change The Drier.

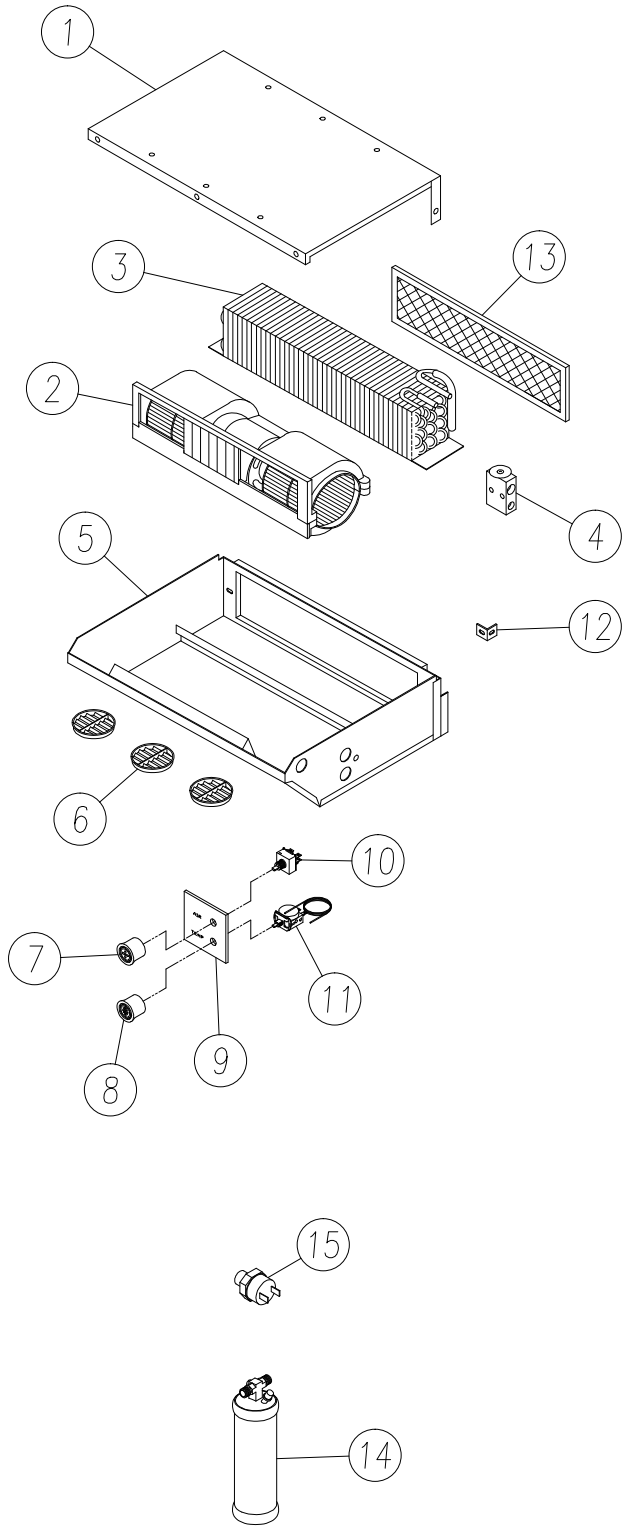
When Changing The Drier,  
 There Is A Possible Need To Change  
 The Expansion Valve.

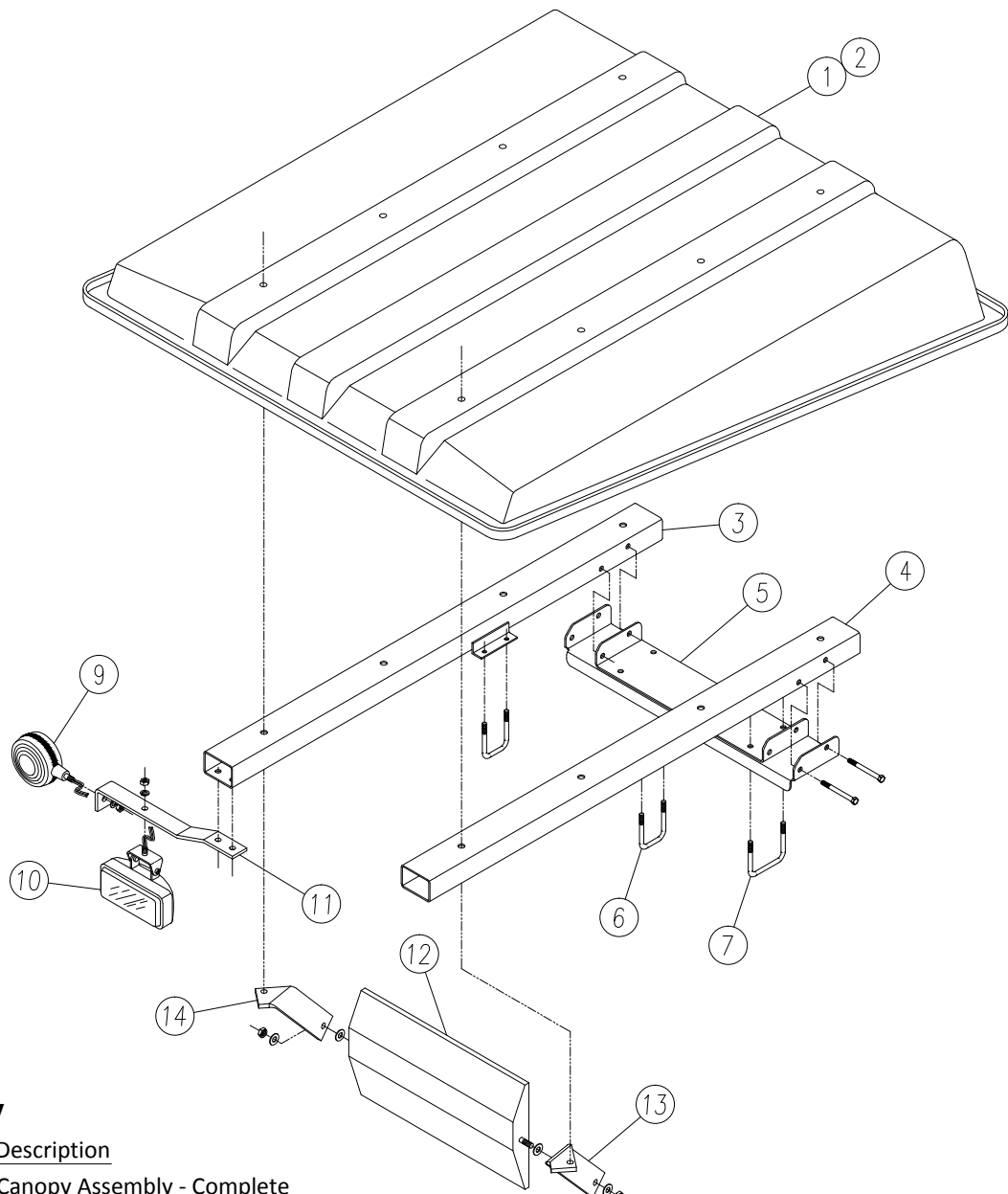
When Changing The Drier, Add 2 oz.  
 Of Ester Oil.

# Victory Air Conditioner Parts

## 01-86000-107 Evaporator System - Includes Items 1-13

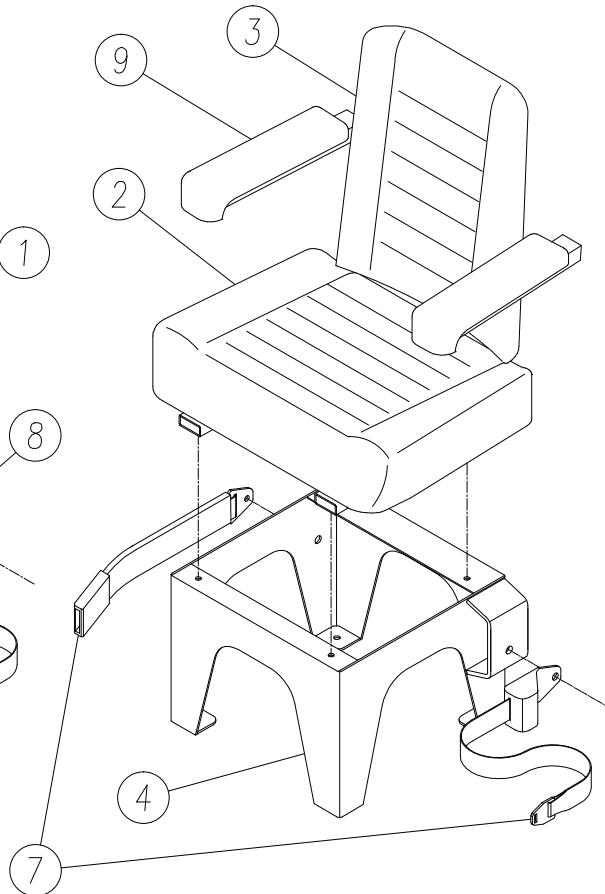
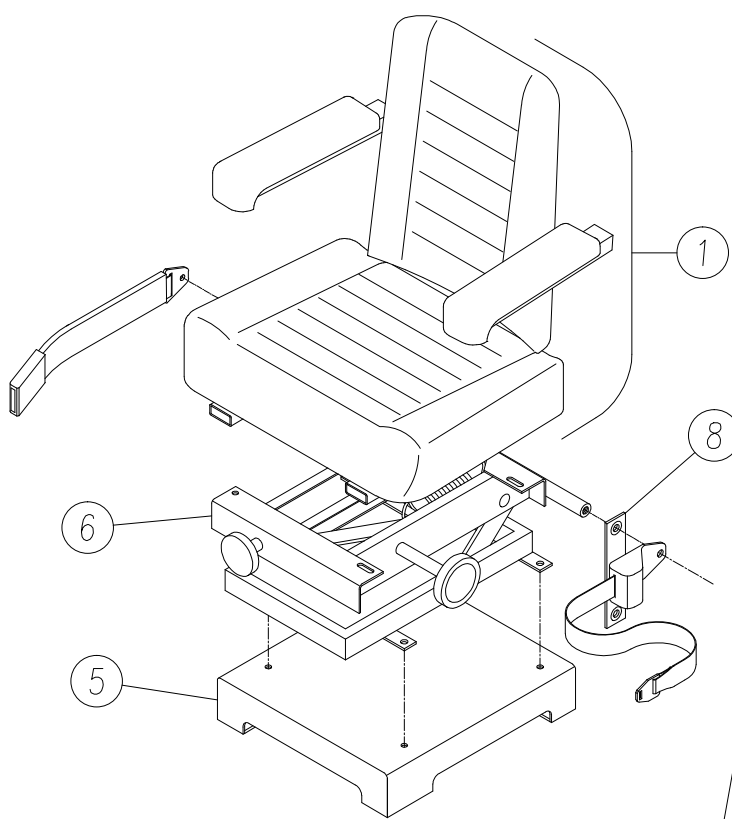
Item	Part No.	Description
1	060-00391	Cover, Evaporator
2	083-00091	Blower Assembly
3	041-00069	Evaporator Coil
4	034-00046	Expansion Valve
5	060-00390	Housing Evaporator
6	062-00403	Louver, 3" Round (3)
7	01-01716	Knob, Fan
8	01-01717	Knob, Thermostat
9		Switch Plate
10	11-00101	Switch, Rotary
11	033-00034	Thermostat
12	070-00282	Bracket, Mounting, Exp. Valve
13	045-00327	Filter
14	07-01018	Drier
15	11-00644	Binary Switch
16	01-86000-107	Evaporator System





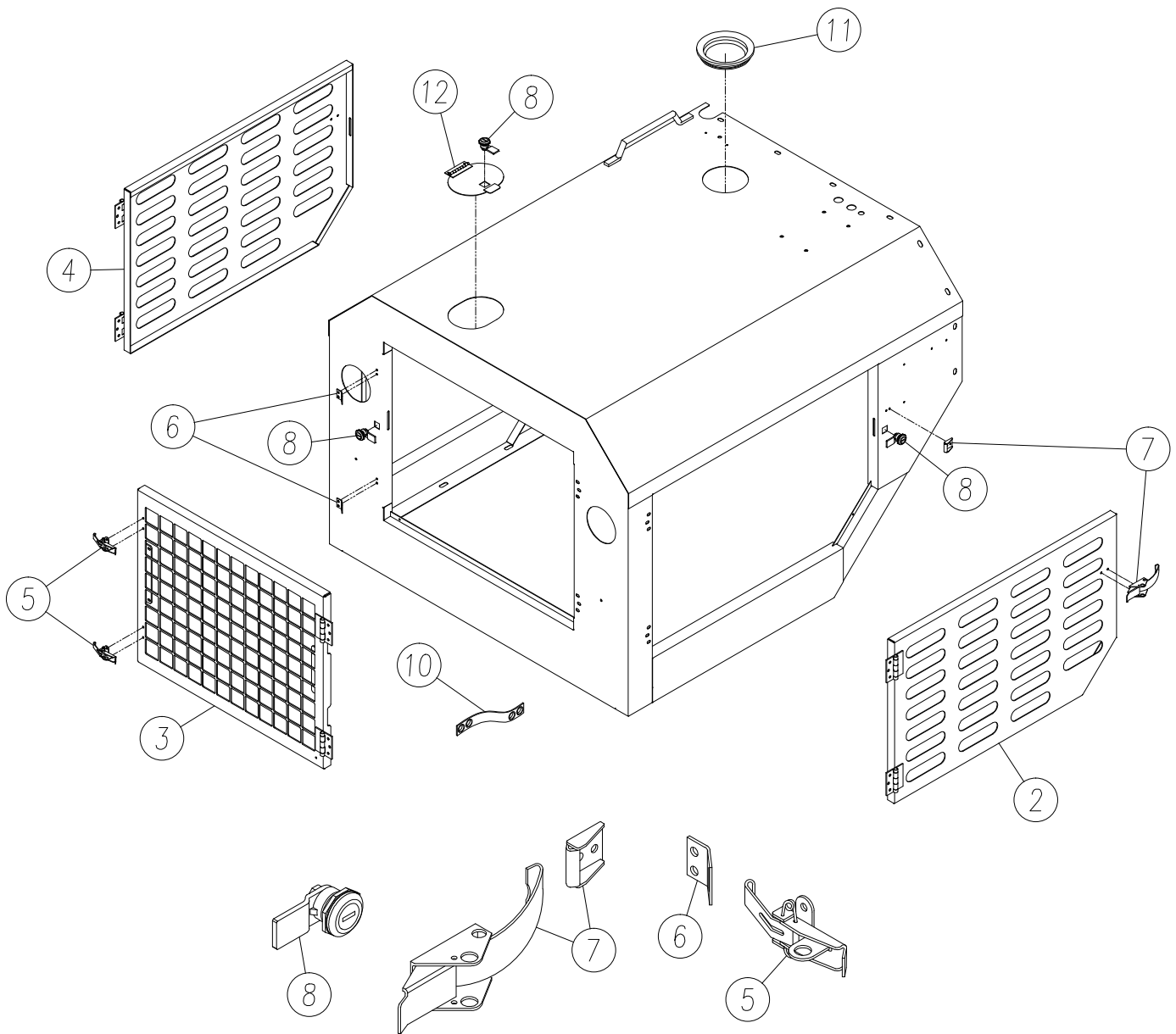
## Canopy Assembly

Item	Part No.	Description
1	01-16500-001	Canopy Assembly - Complete
2	01-16500-002	Canopy Cover
3	01-16500-003	Canopy Cover Support Frame - Right
4	01-16500-004	Canopy Cover Support Frame - Left
5	01-16500-005	Canopy Support Frame Mount
6	01-16500-006	"U" Bolt - Canopy Mount
7	01-16500-007	"U" Bolt - Support Frame Mount
8	01-51000-050	Canopy Wiring Harness (Not Shown)
9	01-79000-008	Turn / Hazard Light
10	01-79000-009	Head Lamp/Driving Light
11	01-79000-012	Light Mounting Bracket
12	01-76000-001	West Coast Mirror
13	01-17500-112	West Coast Mirror Bracket - Left
14	01-17500-113	West Coast Mirror Bracket - Right



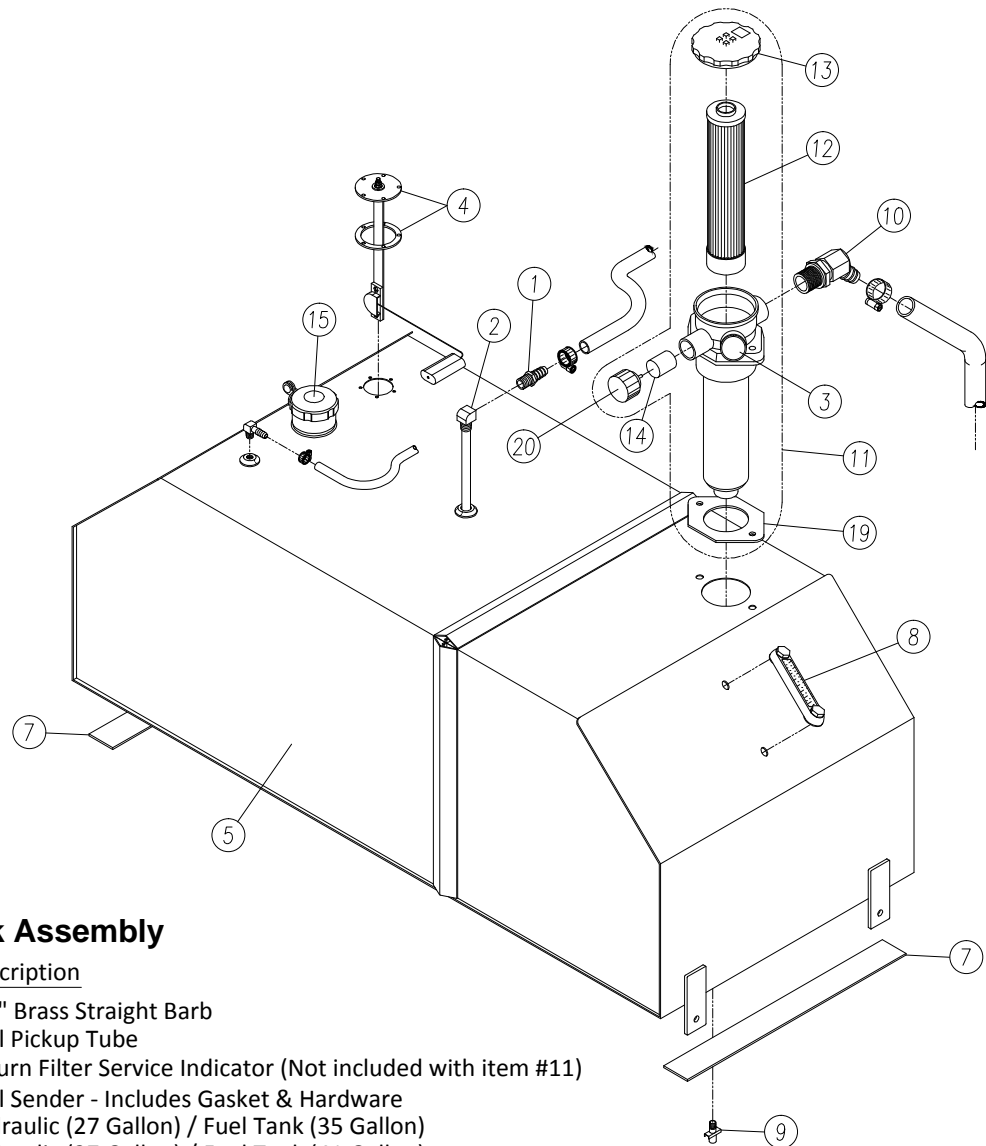
## Seat Assembly

Item	Part No.	Description
1	01-50000-096	Seat Assembly (Complete, Less Base)
2	01-50000-112	Seat Bottom Cushion
3	01-50000-113	Seat Back Cushion
4	01-17200-001	Seat Base (Standard)
5	01-17200-010	Seat Base (Suspension)
6	01-17200-011	Seat Suspension Assembly
7	01-50000-095	Seat Belt Assembly
	01-50000-095B	Seat Belt / Shoulder Harness Assembly
8	01-17200-012	Tether Set (Qty. 2)
9	01-50000-114R	Arm Rest (Right)
	01-50000-114L	Arm Rest (Left)
10	01-17200-013	Air Ride Mid-Back Seat (Air Ride Suspension & Compressor) (Optional - Not Shown)



## Engine Hood Assembly

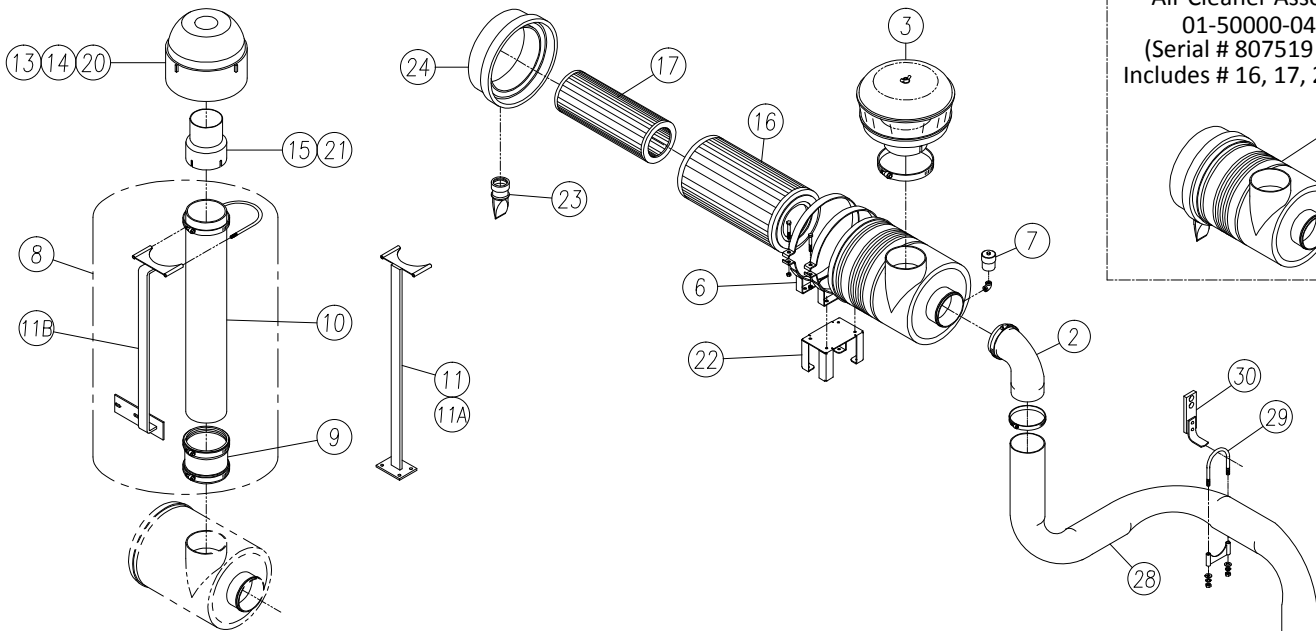
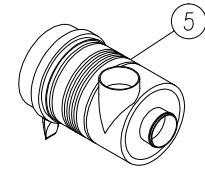
Item	Part No.	Description
1	01-18000-001	Engine Cover (Complete w/ Doors, Decals & Latches)
2	01-18000-301	Engine Cover Door - Right
3	01-18000-400	Radiator Door
4	01-18000-300	Engine Cover Door - Left
5	01-89000-002	Rear Latches
6	01-89000-003	Rear Latch Strike / Keeper
7	01-89000-004	Side Latches & Keepers
8	01-89000-001B	Lock Insert w/ Cam
9	01-89000-001K	Replacement Key - For 01-89000-001B (Not Shown)
10	01-86000-021	Rear Door Strap - 8½" Strap w/Gromets
11	01-50000-049	Rubber Protective Ring
12	01-89000-005	Radiator Lock Plate



### Fuel /Hydraulic Tank Assembly

Item	Part No.	Description
1	01-50000-070	3/8" Brass Straight Barb
2	01-90001-073	Fuel Pickup Tube
3	01-50601-048	Return Filter Service Indicator (Not included with item #11)
4	01-51000-018	Fuel Sender - Includes Gasket & Hardware
5	01-90000-001	Hydraulic (27 Gallon) / Fuel Tank (35 Gallon)
	01-90000-010	Hydraulic (27 Gallon) / Fuel Tank (41 Gallon)
	01-90000-010B	Hydraulic (22 Gallon) / Fuel Tank (38 Gallon)
6	01-50000-076	Tank Strap (Specify Tank Size & Serial #) (Not Shown)
7	01-50000-109	Tank Pads (Rubber)
8	01-50600-021	Sight Level Gauge
9	01-50500-017	Drain Valve
10	01-50500-051	Filter To Hose 45 Deg. Elbow
11	01-50600-012B	Return Filter Assembly (w/ Filter)
12	01-50600-014	Return Filter Element
13	01-50600-016	Filter Cap (Hex Style Top) - Spring & O-Ring Included
	01-50600-016B	Filter Cap (New Style) - Spring & O-Ring Included
14	01-50600-017	Breather Filter
15	01-50600-022	Fuel Cap
16	02-50000-625	3/16" X 3/16" Brass Straight Barb (Not Shown)
17	02-50000-626	Brass Hose Splice Fuel Tank (JD) (Not Shown)
18	02-50000-627	Fuel Filter Inline (Not Shown)
19	01-50600-023B	Filter Gasket
20	01-50600-020	Breather Cap
	01-50600-020B	Breather Cap (New Style)

Air Cleaner Assembly  
01-50000-046B  
(Serial # 807519 & Up)  
Includes # 16, 17, 23, & 24



### Engine Air Cleaner Assembly

Item	Part No.	Description
1	01-50000-042B	Air Intake 3" X 3" X 90 Rubber Elbow (Short)
2	01-50000-043B	Air Intake 4" X 3" X 90 Rubber Elbow
3	01-50000-044	Air Intake Pre-Cleaner - 5" Pipe
	01-50000-044B	Air Intake Pre-Cleaner - 4" Pipe
4		Air Cleaner Tube (Cummins) 3" X 11"
5	01-50000-046	Air Cleaner Assembly (Obsolete - See Next Page)
	01-50000-046B	Air Cleaner Assembly (Serial # 807519 & Up)
6	01-50000-047	Air Cleaner Band Clamp (Discontinued)
	01-50000-047B	Air Cleaner Band Clamp (Serial # 807519 & Up)
7	01-50000-048	Air Cleaner Service Indicator
8	01-82000-000B	Air Cleaner Extension (Complete) Does Not Include Pre-Cleaner
9	01-82000-001	Air Cleaner Extension Rubber Adapter Clamp
	01-82000-001B	4" X 4.5" Hump Hose (Serial # 807519 & Up)
10	01-82000-003	Air Cleaner - Extension Tube 5"
	01-82000-003B	Air Cleaner - Extension Tube 4" (Serial # 807519 & Up)
11	01-82000-005	Air Cleaner - Extension Brace 5"
11A	01-82000-010	Air Cleaner - Extension Brace 4" (Serial # 807519 & Up)
11B	01-82000-015	Air Cleaner - Extension Brace 4" (Serial # 814730 & Up)
12	02-50000-041	Air Intake 2.5" X 3" X 90 Rubber Elbow (Cummins & Kubota)
13	01-71000-001	Air Intake Pre-Cleaner - Skyclone (Optional)
14	01-71000-002	Air Intake Pre-Cleaner - Centri (Optional)
15	01-71000-003	4" to 5" Adapter For Centri Pre-Cleaner
16	01-50001-046	Filter (Outer)
	01-50001-046B	Filter (Outer) (Serial # 807519 & Up)
17	01-50001-047	Filter (Inner)
	01-50001-047B	Filter (Inner) (Serial # 807519 & Up)
18		Air Intake Tube (Kubota) 2.5" X 3"
19		Air Intake Tube (Cummins) 3" X 16"
19A		Air Intake Tube (Cummins) 3" X 3"
20	01-71000-101	Enginaire Pre-Cleaner - 4"
21	01-71000-102	Enginaire 4" X 5" Adapter
22	01-82000-009	Air Cleaner Intake Mount
23	01-50001-048B	Dust Ejection Valve (Serial # 807519 & Up)
24	01-50001-049B	Air Cleaner End Cap (Serial # 807519 & Up) (Does Not Include Item #23)
25	06-50000-521	Air Intake - Kubota
26	06-50000-041	Air Intake Reducer Insert Sleeve - Kubota
27	06-50000-042	Air Intake Reducer Sleeve - Kubota
28	02-30000-120T3	Air Intake Tube - John Deere
29	02-50000-065T3	Exhaust Clamp - 3"
30	01-50000-068B	Muffler Hanger Strap

JOHN DEERE

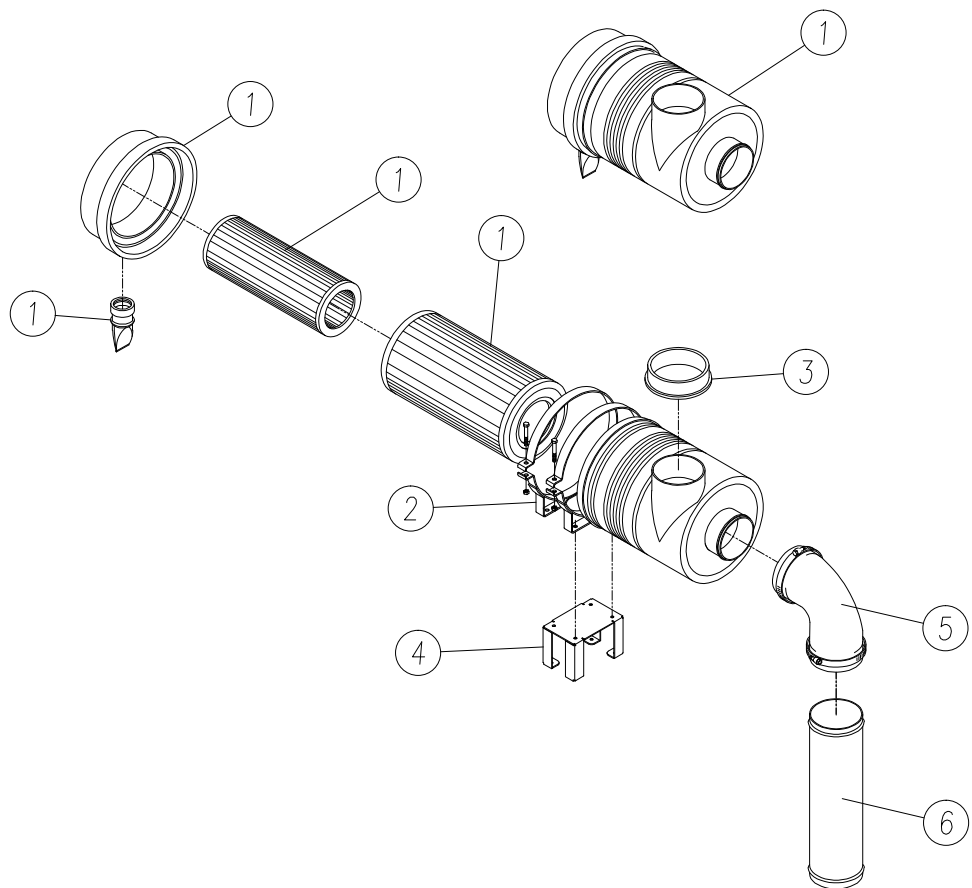
CUMMINS

KUBOTA

**Air Cleaner Conversion Kit**  
**Part No. BOM-Air Cleaner Conversion**  
**Conversion Kit For Serial # 807519 & Older**  
**(Replaces Part # 01-50000-046)**

Item	Part No.	Description
1	01-50000-046B	Air Cleaner Assembly (Including Filters)
2	01-50000-047B	Air Cleaner Band Clamp
3	01-82000-101	5" To 4.5" Reducing Insert
4	01-82000-009	Air Cleaner Intake Mount
5	01-50000-043B	Air Intake 4" X 3" X 90 Rubber Elbow
6	-	3" X 11" Tube
7	-	Mounting Hardware & Hose Clamps (Not Shown)

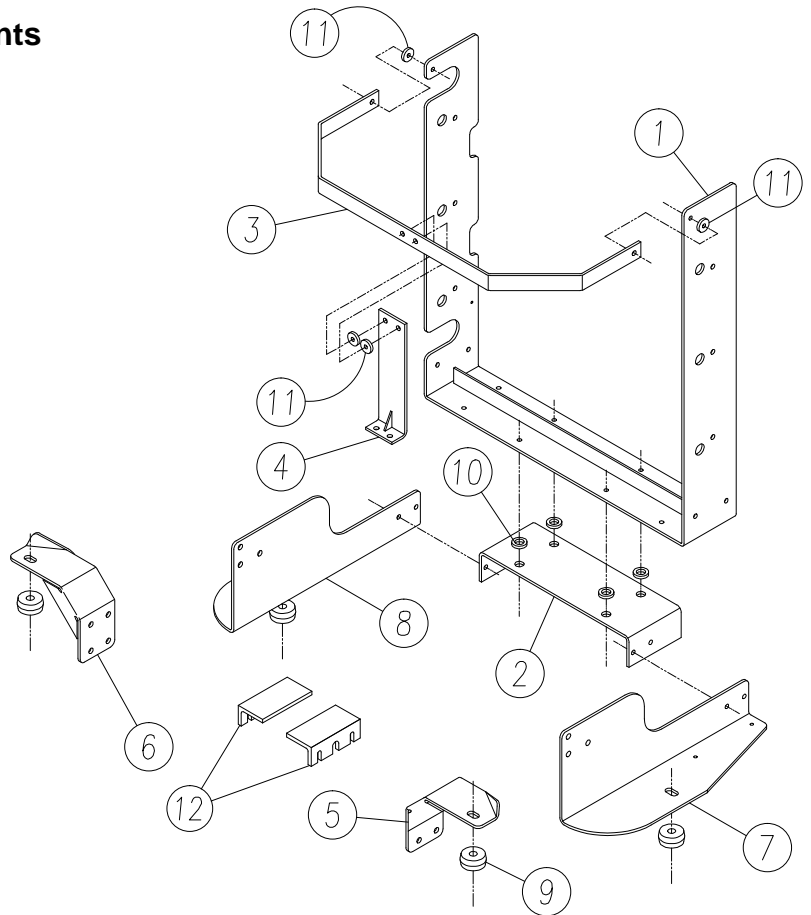
**( Does Not Include Air Cleaner Service Indicator - 01-50000-048 See Item #7 On Previous Page )**





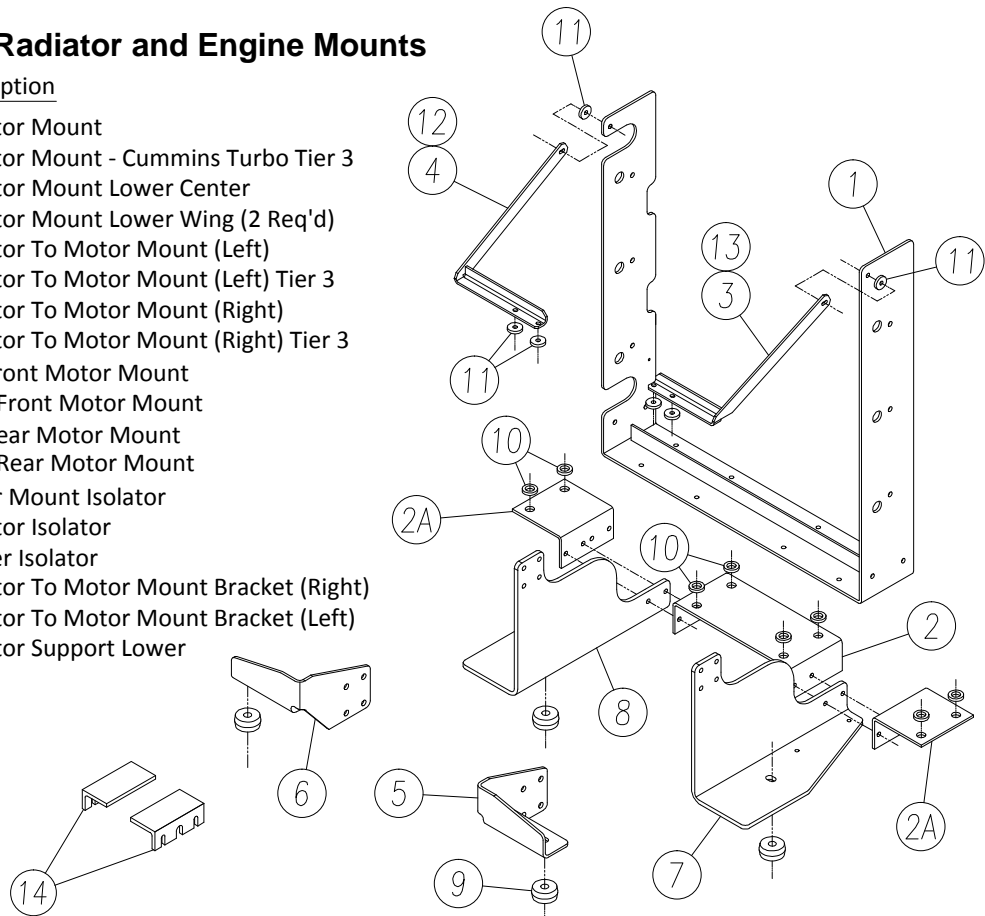
## John Deere Radiator and Engine Mounts

Item	Part No.	Description
1	01-10000-010	Radiator Mount
2	02-10000-011	Radiator Mount Lower
3	02-10000-012	Radiator Top Support
4	02-10000-013	Radiator To Motor Mount
5	02-11000-002	Left Front Motor Mount
6	02-11000-003	Right Front Motor Mount
7	02-11000-004	Left Rear Motor Mount
8	02-11000-005	Right Rear Motor Mount
9	01-50000-058	Motor Mount Isolator
10	01-50000-062	Radiator Isolator
11	01-50000-067	Rubber Isolator
12	01-10000-111	Radiator Support Lower



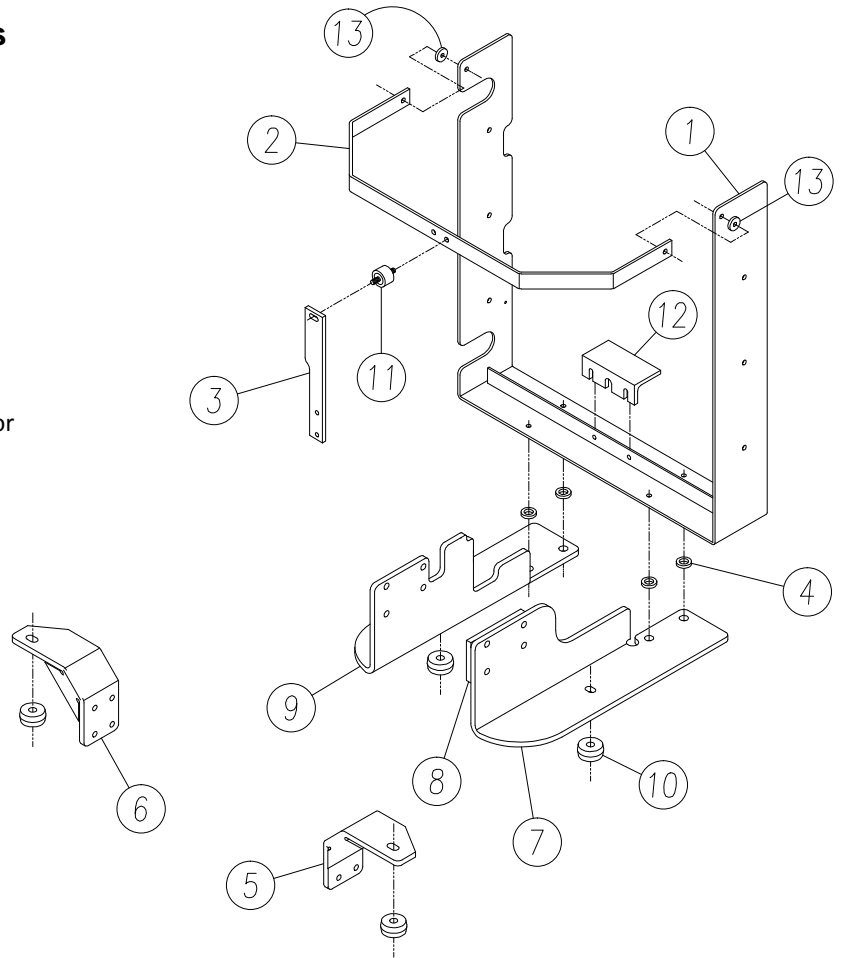
## Cummins 3.3 Turbo / Radiator and Engine Mounts

Item	Part No.	Description
1	01-10000-010	Radiator Mount
	04-10000-010T3	Radiator Mount - Cummins Turbo Tier 3
2	04-10000-011	Radiator Mount Lower Center
2A	03-10000-014	Radiator Mount Lower Wing (2 Req'd)
3	04-10000-014	Radiator To Motor Mount (Left)
	04-10000-014T3	Radiator To Motor Mount (Left) Tier 3
4	04-10000-015	Radiator To Motor Mount (Right)
	04-10000-015T3	Radiator To Motor Mount (Right) Tier 3
5	04-11000-002	Left Front Motor Mount
6	04-11000-003	Right Front Motor Mount
7	04-11000-004	Left Rear Motor Mount
8	04-11000-005	Right Rear Motor Mount
9	01-50000-058	Motor Mount Isolator
10	01-50000-062	Radiator Isolator
11	01-50000-067	Rubber Isolator
12	04-10000-015T5	Radiator To Motor Mount Bracket (Right)
13	04-10000-014T4	Radiator To Motor Mount Bracket (Left)
14	01-10000-111	Radiator Support Lower



## Kubota Radiator and Engine Mounts

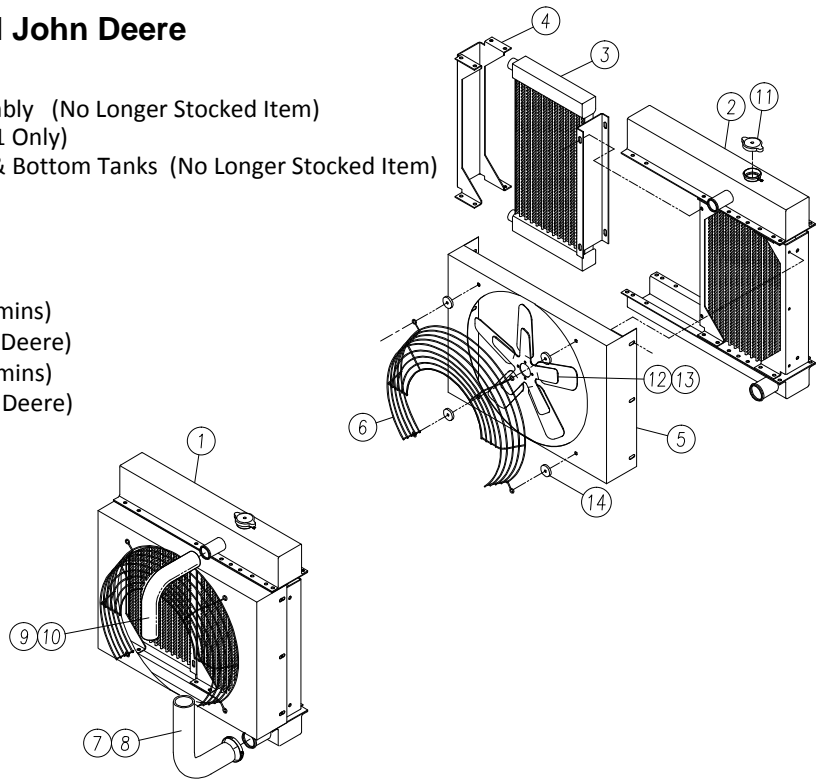
Item	Part No.	Description
1	06-10000-010	Radiator Mount
2	02-10000-012	Radiator Top Support
3	06-10000-013	Radiator To Motor Mount
4	01-50000-062	Radiator Isolator
5	06-11000-002	Left Front Motor Mount
6	06-11000-003	Right Front Motor Mount
* 7	06-11000-004	Left Rear Motor Mount
* 8	06-11000-004B	Engine Mount Spacer
9	06-11000-005	Right Rear Motor Mount
10	01-50000-058	Motor Mount Isolator
11	06-50000-062	Kubota Stud Mount Isolator
12	01-10000-111	Radiator Support Lower
13	01-50000-067	Rubber Isolator



\* - Sold Together

## Radiator & Oil Cooler Assembly Up To Serial # 813524 - All Tier II & All John Deere

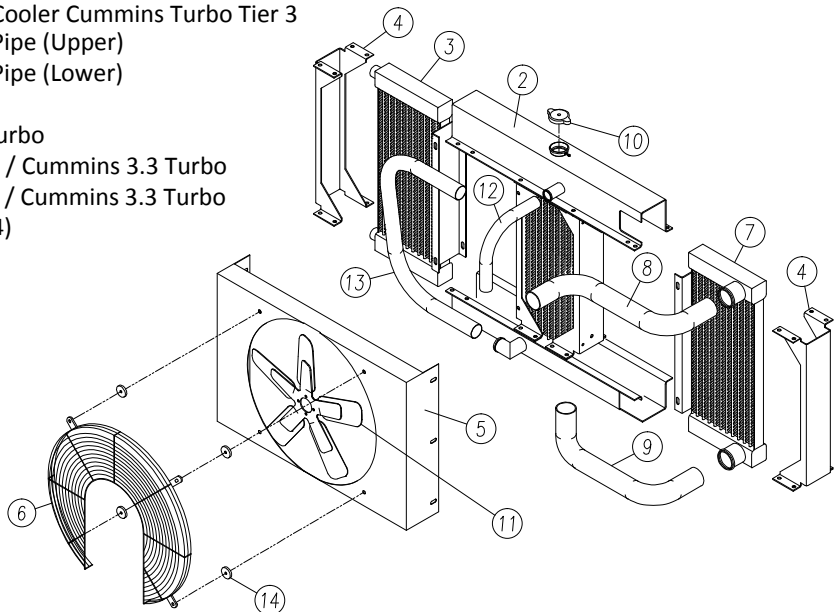
Item	Part No.	Description
* 1	01-50000-060	Radiator / Oil Cooler Assembly (No Longer Stocked Item) Includes Items (2,3,4,5 & 11 Only)
2	01-50001-060	Radiator Assembly w/Top & Bottom Tanks (No Longer Stocked Item)
3	01-50001-061	Oil Cooler
4	01-50001-062	Oil Cooler Retainer Frame
5	01-50001-063	Fan Shroud
6	01-50001-064	Fan Guard
7	03-50000-512	Radiator Hose Lower (Cummins)
8	02-50000-613	Radiator Hose Lower (John Deere)
9	03-50000-513	Radiator Hose Upper (Cummins)
10	02-50000-614	Radiator Hose Upper (John Deere)
11	01-50001-065	Radiator Cap
12	02-50000-605	Fan (John Deere)
13	03-50000-502	Fan (Cummins 4.5)
14	01-50001-067	Fan Guard Bushing (4)



\* - 01-50000-060 Can Be Replaced With Slight Modifications w/ 01-50000-060T4B

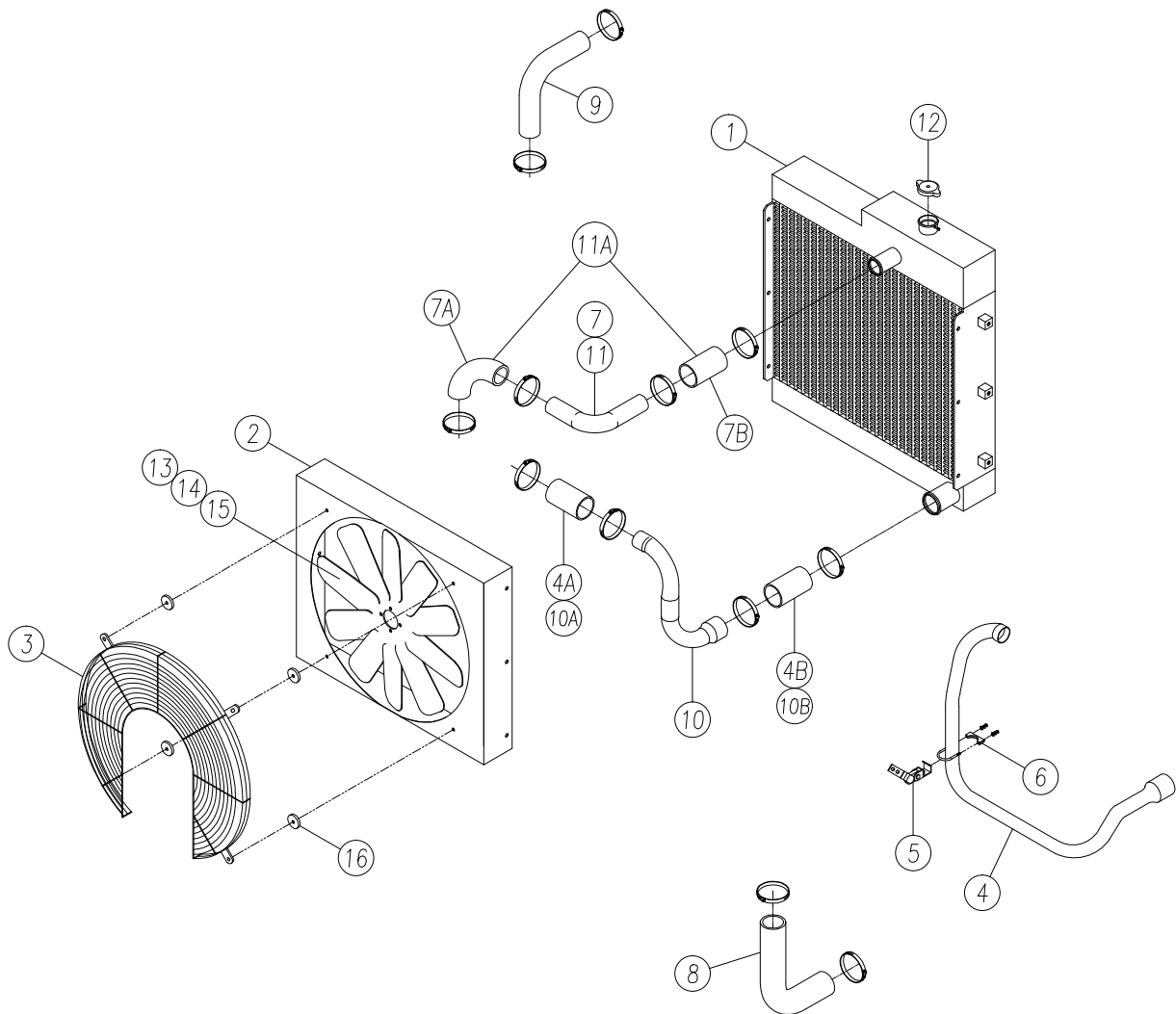
## Radiator & Oil Cooler Assembly Cummins Tier III Only - Serial # 810975 Thru 811241

Item	Part No.	Description
1	04-50000-060T3	Radiator / Oil Cooler Assembly w/ Fan & Shroud
2	04-50001-060T3	Radiator Assembly w/ Top & Bottom Tanks
3	04-50001-061T3	Oil Cooler
4		Oil Cooler Retainer Frame
5		Fan Shroud
6	01-50001-064CT	Fan Guard / Cummins 3.3 Turbo
7	04-50000-050T3	Radiator Charge Air Cooler Cummins Turbo Tier 3
8	04-50001-161T3	Radiator Charge Air Pipe (Upper)
9	04-50001-162T3	Radiator Charge Air Pipe (Lower)
10	01-50001-065	Radiator Cap
11	04-50000-502	Fan / Cummins 3.3 Turbo
12	04-50000-513T3	Radiator Hose Upper / Cummins 3.3 Turbo
13	04-50000-512T3	Radiator Hose Lower / Cummins 3.3 Turbo
14	01-50001-067	Fan Guard Bushing (4)



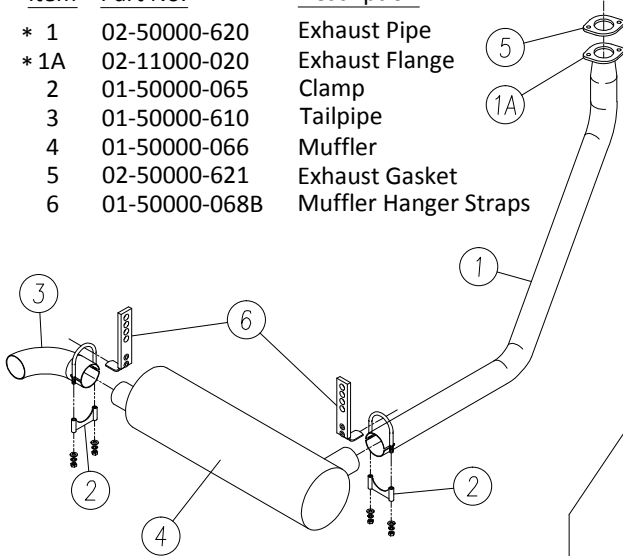
## Cummins 3.3L Turbo Tier IV, John Deere, & Kubota Radiator & Oil Cooler Assembly

Item	Part No.	Description
1	01-50000-060T4B	Radiator
2		Fan Shroud
3	01-50001-064CT	Fan Guard
4	04-50000-512	Radiator Tube Lower (Cummins) - (Includes 4A & 4B)
5	04-50000-511	Universal Hanger (Cummins)
6	04-50000-065	Radiator Tube Pipe Clamp (Cummins)
7	04-50000-513	Radiator Tube Upper (Cummins) - (Includes 7A & 7B)
8	02-50000-613	Radiator Tube Lower (John Deere)
9	02-50000-614	Radiator Tube Upper (John Deere)
10	06-50000-613	Radiator Tube Lower (Kubota) - (Includes 10A & 10B)
11	06-50000-519	Radiator Tube Upper (Kubota)
11A	06-50000-614	Radiator Hose Upper (Kubota) - Includes 2 Pieces
12	01-50001-065C	Radiator Cap
13	02-50000-605	Fan (John Deere)
14	06-50000-605	Fan (Kubota)
15	04-50000-502	Fan (Cummins 3.3 - 21")
16	01-50001-067	Fan Guard Bushing (4)



## John Deere Tier 2 Muffler & Components

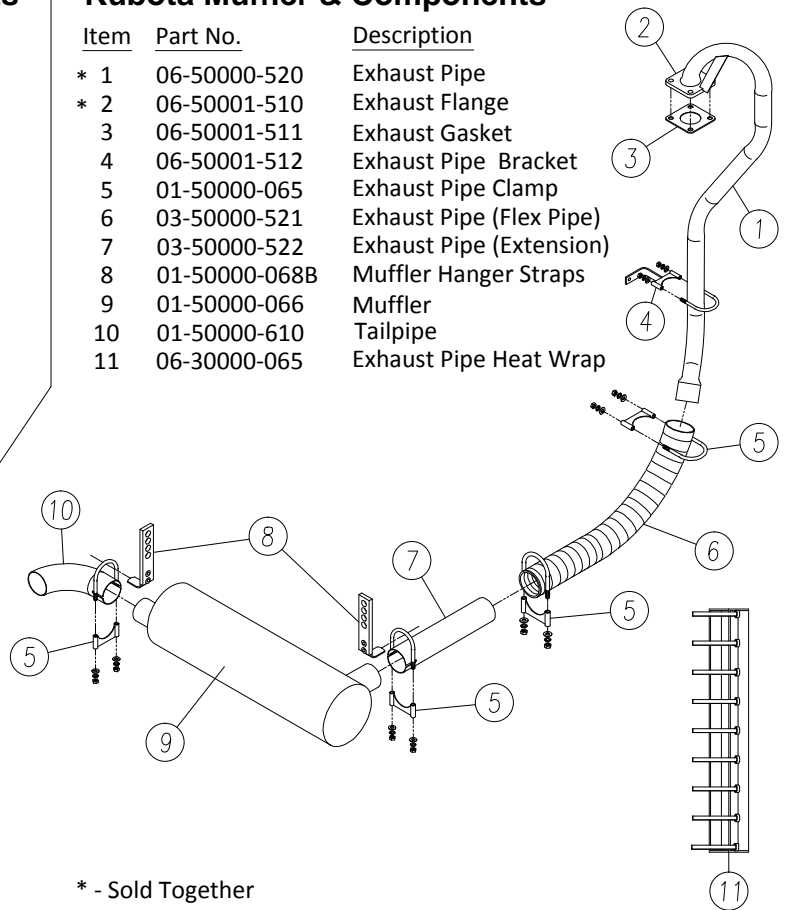
Item	Part No.	Description
* 1	02-50000-620	Exhaust Pipe
* 1A	02-11000-020	Exhaust Flange
2	01-50000-065	Clamp
3	01-50000-610	Tailpipe
4	01-50000-066	Muffler
5	02-50000-621	Exhaust Gasket
6	01-50000-068B	Muffler Hanger Straps



\* - Sold Together

## Kubota Muffler & Components

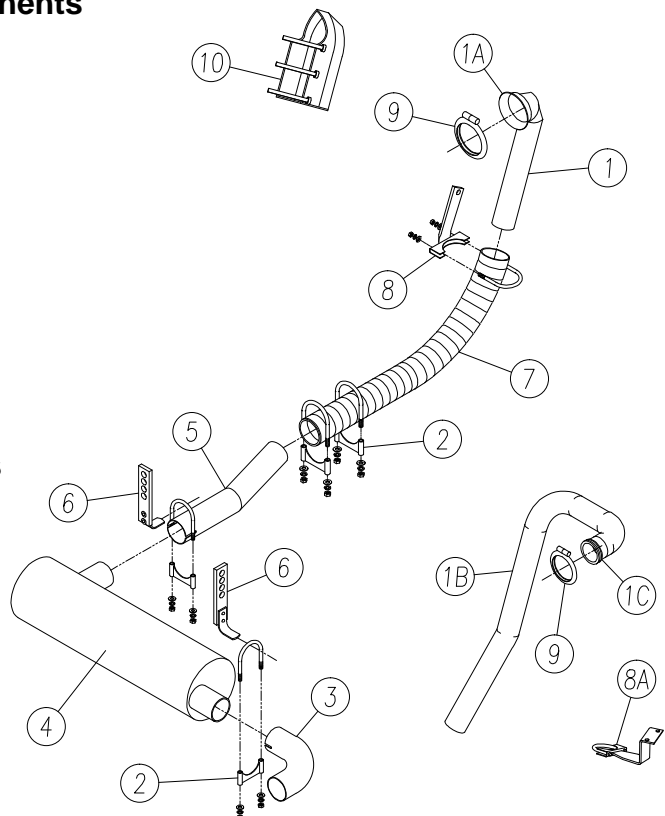
Item	Part No.	Description
* 1	06-50000-520	Exhaust Pipe
* 2	06-50001-510	Exhaust Flange
3	06-50001-511	Exhaust Gasket
4	06-50001-512	Exhaust Pipe Bracket
5	01-50000-065	Exhaust Pipe Clamp
6	03-50000-521	Exhaust Pipe (Flex Pipe)
7	03-50000-522	Exhaust Pipe (Extension)
8	01-50000-068B	Muffler Hanger Straps
9	01-50000-066	Muffler
10	01-50000-610	Tailpipe
11	06-30000-065	Exhaust Pipe Heat Wrap



\* - Sold Together

## John Deere Tier 3 & Tier 4 - Muffler & Components

Item	Part No.	Description
* 1	02-50000-620T3	Exhaust Pipe
* 1A	02-50000-621T3	Exhaust Pipe Turbo Flange
2	02-50000-065T3	Exhaust Clamp - 3"
3	02-50000-610T3	Exhaust Tailpipe
4	02-50000-066T3	Muffler
5	02-50000-522T3	Exhaust Pipe Extension
6	01-50000-068B	Muffler Hanger Straps
7	02-50000-521T3	Exhaust Pipe (Flex Pipe)
8	02-50000-619	Exhaust Pipe Bracket
9	02-50000-622T3	Exhaust Turbo Flange Clamp
10	02-30000-035T3	Exhaust Pipe SP. Heat Wrap



## Cummins 3.3 Turbo / Muffler & Components

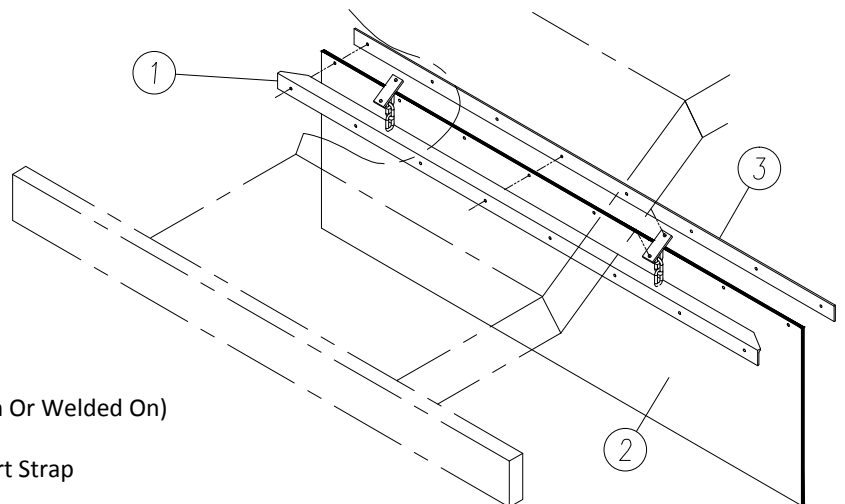
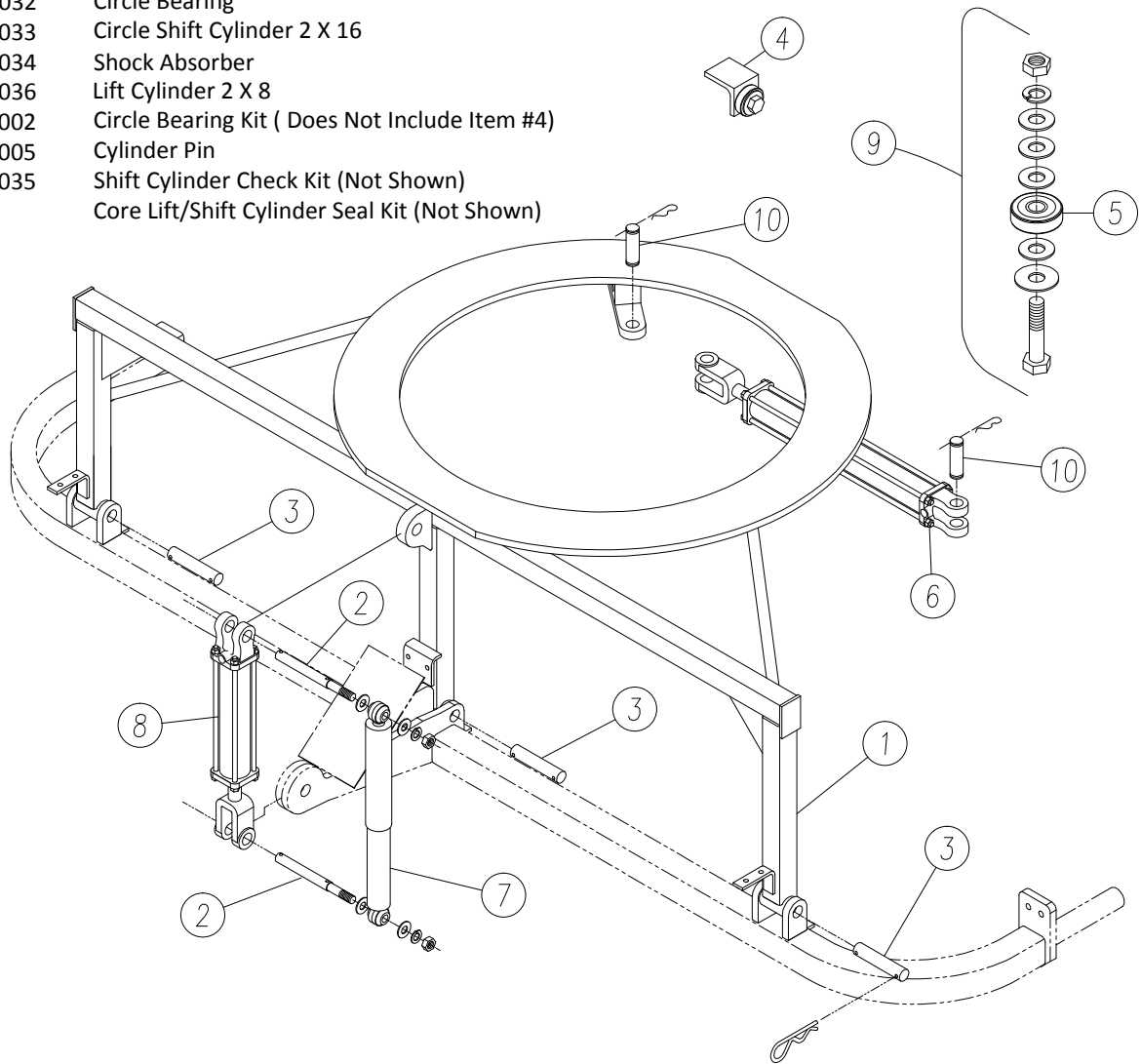
Item	Part No.	Description
* 1B	04-50000-520T3	Exhaust Pipe
* 1C	04-50001-510	Cummins 3.3T Exhaust Flange
2	01-50000-065	Clamp
3	01-50000-610	Tailpipe
4	01-50000-066	Muffler
5	03-50000-522	Exhaust Pipe (Extension)
6	01-50000-068B	Muffler Hanger Straps
7	03-50000-521	Exhaust Pipe (Flex Pipe)
8A	04-50001-565	Cummins Turbo Exhaust Pipe Bracket
9	04-50001-065	Cummins Turbo Exhaust Flange Clamp

\* - Sold Together

## Circle Frame Assembly

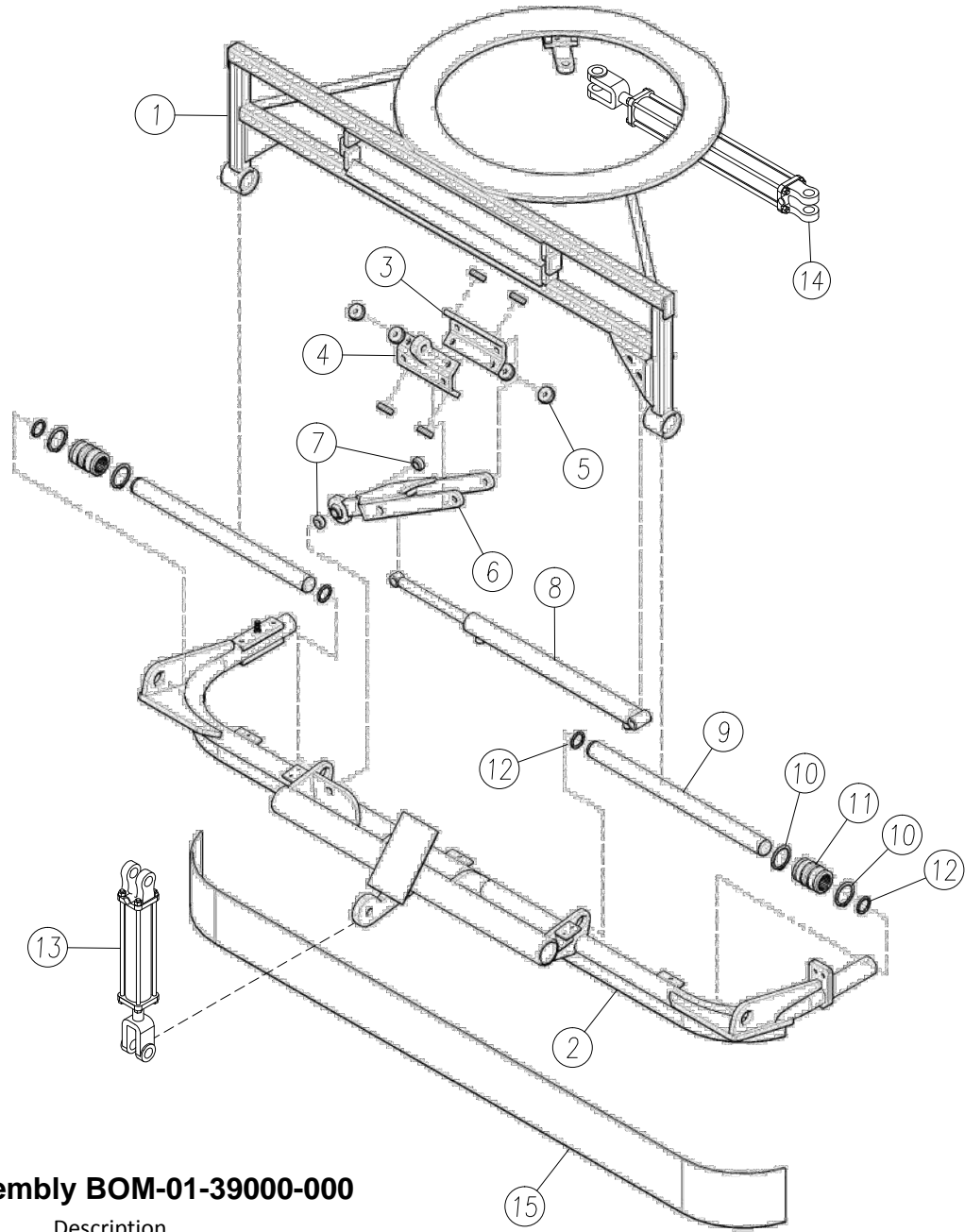
Item	Part No.	Description
1	01-12000-001	Circle Weldment
2	01-13000-013	Core Shock Pin (2 Req'd)
3	01-13000-031	Core Pin (3 Req'd)
4	01-30000-004	Bearing Mount Angle (Does Not Include Item #9)
5	01-50000-032	Circle Bearing
6	01-50000-033	Circle Shift Cylinder 2 X 16
7	01-50000-034	Shock Absorber
8	01-50000-036	Lift Cylinder 2 X 8
9	01-61000-002	Circle Bearing Kit ( Does Not Include Item #4)
10	01-15000-005	Cylinder Pin
11	01-50600-035	Shift Cylinder Check Kit (Not Shown)
12	SK1C4244	Core Lift/Shift Cylinder Seal Kit (Not Shown)

Circle Frame Assembly Requires 10 Circle Bearing Kits  
 6 Vertical Bearings - Bearing Mount Angle Needed  
 4 Horizontal Bearings - Bearing Mount Angle Not Needed



## Rock Guard Assembly

Item	Part No.	Description
1	01-30000-060	Rock Guard Angle (May Either Be Bolted On Or Welded On)
2	01-50000-108	Rock Guard Rubber
3	01-30000-061	Rock Guard Angle Support Strap

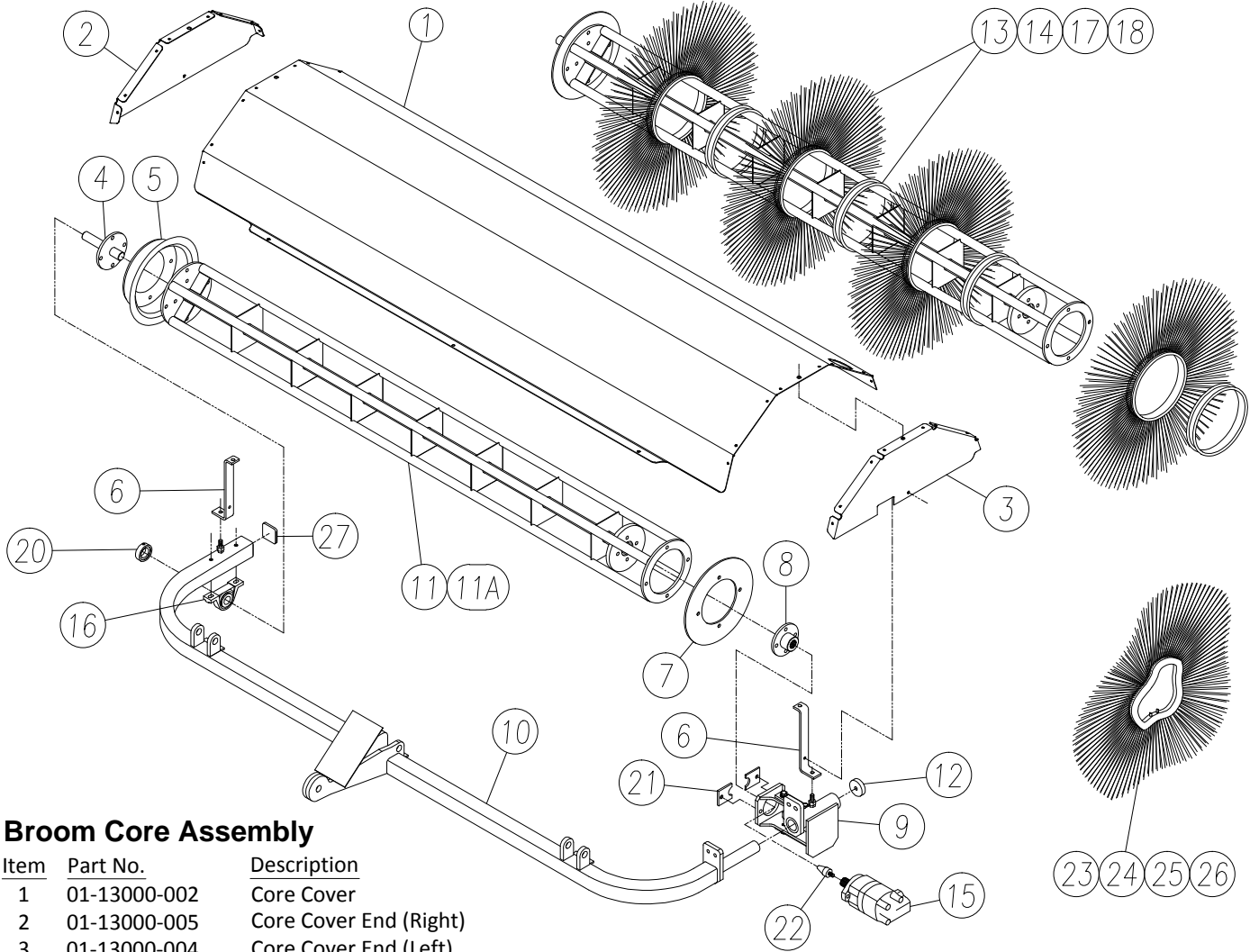


### Side Shift Assembly BOM-01-39000-000

Item	Part No.	Description
1	01-12600-010	Side Shift - Circle Weldment
2	01-12600-030	Side Shift - Core Support Frame
3	01-12600-006	Slide Frame
4	01-12600-022	Slide Channel
5	01-50000-032	Circle Bearing - 8 Req'd
6	01-12600-025	Yoke Weldment
7	01-12600-038	Stepped Spacer - 2 Req'd
8	01-12600-001	Hydraulic Cylinder
9	01-12600-009	Shift Pin - 2 Req'd
10	01-12600-044	Snap Ring - 4 Req'd
11	01-12600-029	Shift Pin Split Bushing - 2 Req'd
12	01-12600-024	Shift Pin Retainer - 4 Req'd
13	01-50000-036	Lift Cylinder 2 X 8
14	01-50000-033	Circle Shift Cylinder 2 X 16
15	01-50000-128	Core Cover Rock Guard
16	SK1C4244	Lift/Shift Cylinder Seal Kit (Not Shown) (Items 13 & 14)

#### Below Items: Part #'s Not Assigned - For Reference Only

Side Shift Hardware	Bolts	Washers	Nuts
Hydraulic Cylinder	(1) - 1" NC X 4.5" Plated	(2) - 1" Flat Plated	(1) - 1" NC Nyloc
Hydraulic Cylinder / Yoke	(1) - 1" NC X 7.5" Plated	(2) - 1" Flat Plated	(1) - 1" NC Nyloc
Yoke Weldment	(1) - 1" NC X 5" Plated	(2) - 1" Flat Plated	(1) - 1" NC Nyloc
Roller Assembly / Yoke	(1) - 3/4" NC X 7" Plated	(2) - 3/4" Flat Plated	(1) - 1" NC Nyloc
Roller Assembly	(1) - 3/4" NC X 6" Plated	(2) - 3/4" Flat Plated	(1) - 3/4" NC Nyloc
Roller Assembly / Circle Bearings	(8) - 5/8" NC X 2.5" Plated	(8) - 5/8" Flat Plated (16) - 5/8" SAE Flat Plated	(8) - 5/8" NC Nyloc
		(8) - 5/8" Lock Plated	

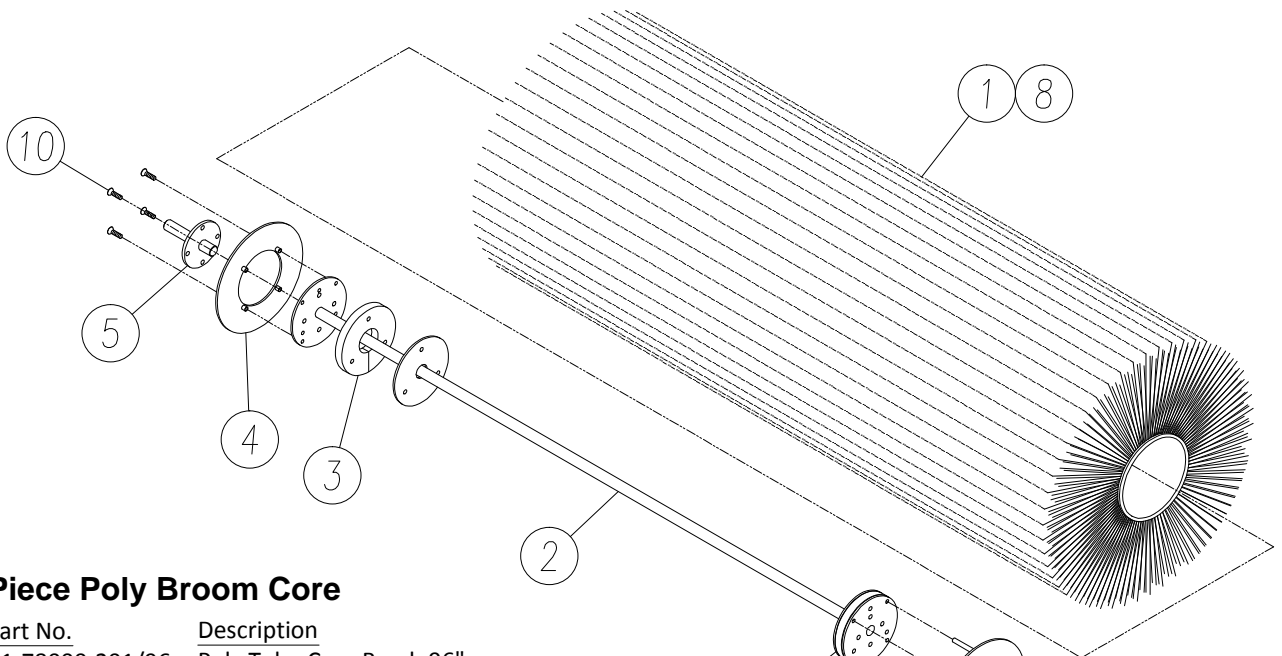


### Broom Core Assembly

Item	Part No.	Description
1	01-13000-002	Core Cover
2	01-13000-005	Core Cover End (Right)
3	01-13000-004	Core Cover End (Left)
4	01-13000-010	Idler Shaft Weldment
	01-13000-010-10	Idler Shaft Weldment - 10"
5	01-13000-030	Core End Cap (Right)
6	01-13000-003	Core Cover Support Bracket
7	01-13000-006	Core End Plate (Left)
8	01-13000-007	Drive Hub
9	01-13000-200	Motor Mount (Core Drive)
10	01-13000-100B	Core Support Frame
11	01-13000-300	Core Frame
11A	01-13000-300AS	Core Frame Assembly (Includes 4,5,7,8,11 & Hardware)
12	01-13000-028	Retainer Washer
13	01-78000-001	Individual Poly Wafer (Includes Spacer)
14	01-78000-101	Individual Wire Wafer (Includes Spacer)
15	01-50600-001B	Hydraulic Core Motor
16	01-50000-035	1.25" Pillow Block Bearing (Includes Part No. 01-50001-035)
17	01-78000-000	Poly Wafer Set (Includes Spacers) (56 Per Set)
18	01-78000-100	1/2 & 1/2 Wafer Set (Includes Spacers) (56 Per Set)
19	SK61258	Brush Motor Seal Kit (Seal Kit For 01-50600-001) (Not Shown)
19A	SK35535501	Brush Motor Seal Kit (Seal Kit For 01-50600-001B) (Not Shown)
20	01-50001-035	Lock Collar (For Pillow Block Bearing)
21	01-13000-045	Core Motor Shaft Guard (2 Req'd)
22	01-13000-107	Core Motor Mounting Pin
23	01-78000-301	Individual Convoluted Poly Wafer
24	01-78000-302	Individual Convoluted Wire Wafer
25	01-78000-300	Convoluted Poly Wafer Set (48 Per Set)
26	01-78000-310	Convoluted 1/2 & 1/2 Wafer Set (48 Per Set)
27	01-13000-029	Core Frame Cap

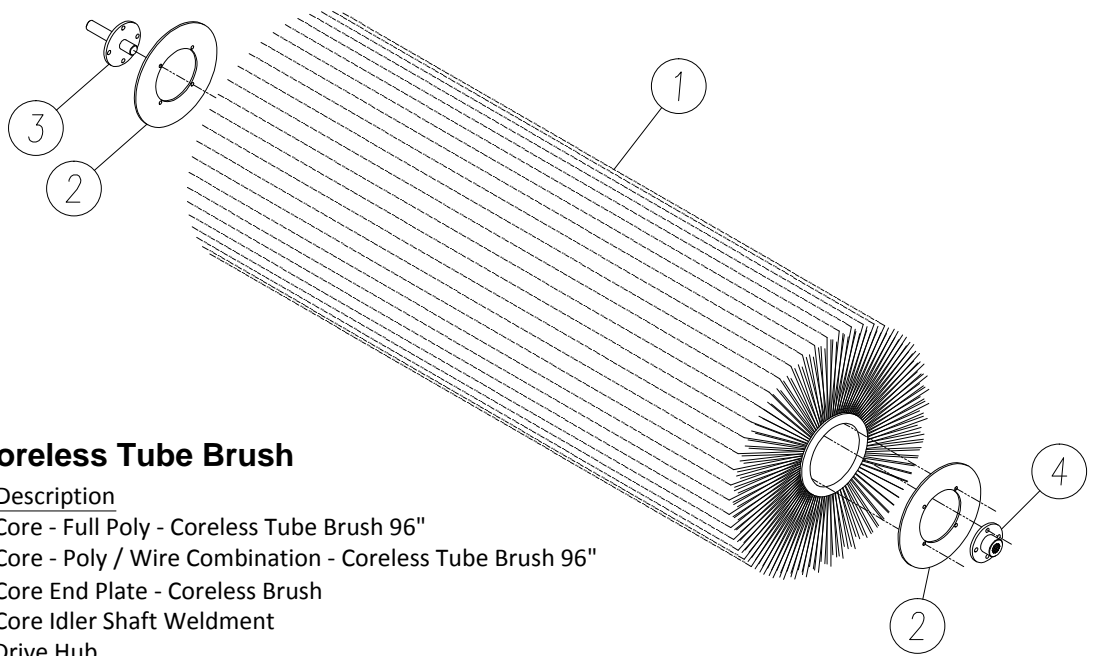
Wafers - 10" I.D. X 32" O.D.





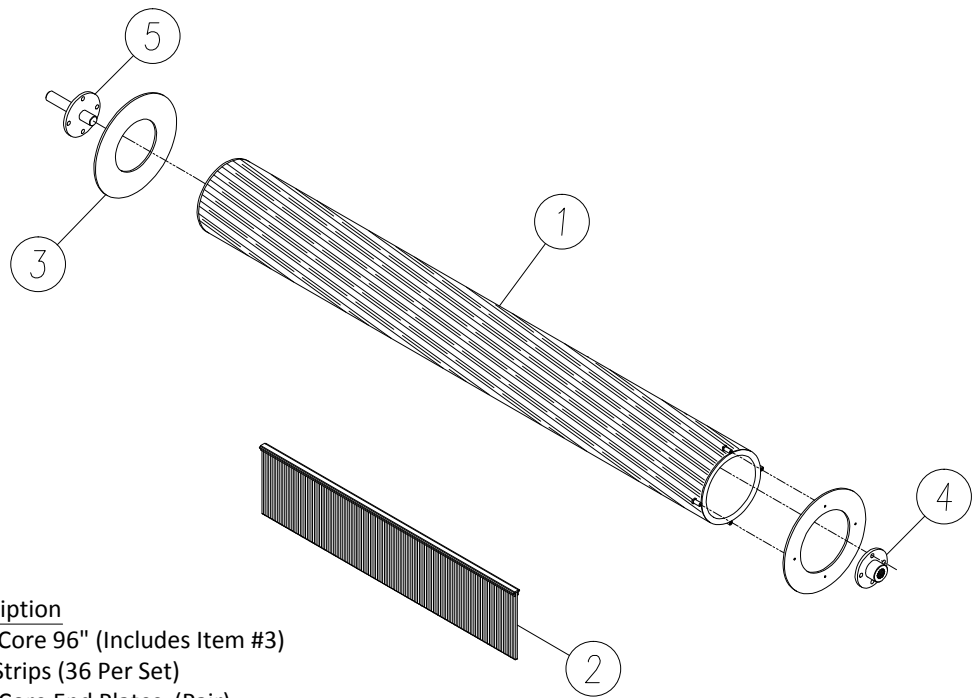
### One Piece Poly Broom Core

Item	Part No.	Description
1	01-78000-201/96	Poly Tube Core Brush 96"
	01-78000-201/90	Poly Tube Core Brush 90" (Non-Stock Item)
2	01-78000-202/96	Compression Core (Complete For 96" Core)
	01-78000-202/90	Compression Core (Complete For 90" Core) (Non-Stock Item)
3	01-78000-205	Compression Disc - Rubber (2 Req'd)
4	01-78000-203	Brush Retainer Ring
5	01-13000-010	Idler Shaft Weldment (96" Core)
	01-13000-010-10	Idler Shaft Weldment (90" Core)
6	01-78000-204	Brush Retainer Ring (Drive End For 96" Core)
	01-78000-204/90	Brush Retainer Ring (Drive End For 90" Core)
7	01-13000-007	Drive Hub
8	01-78000-211	Poly / Wire Combination Brush 96"
	01-78000-211/90	Poly / Wire Combination Brush 90" (Non-Stock Item)
9	01-78000-214	Compression Core Bolt Retaining Ring - Left End - 9-1/2" Long
10	01-78000-213	Compression Core Bolt Retaining Ring - Right End - Countersunk



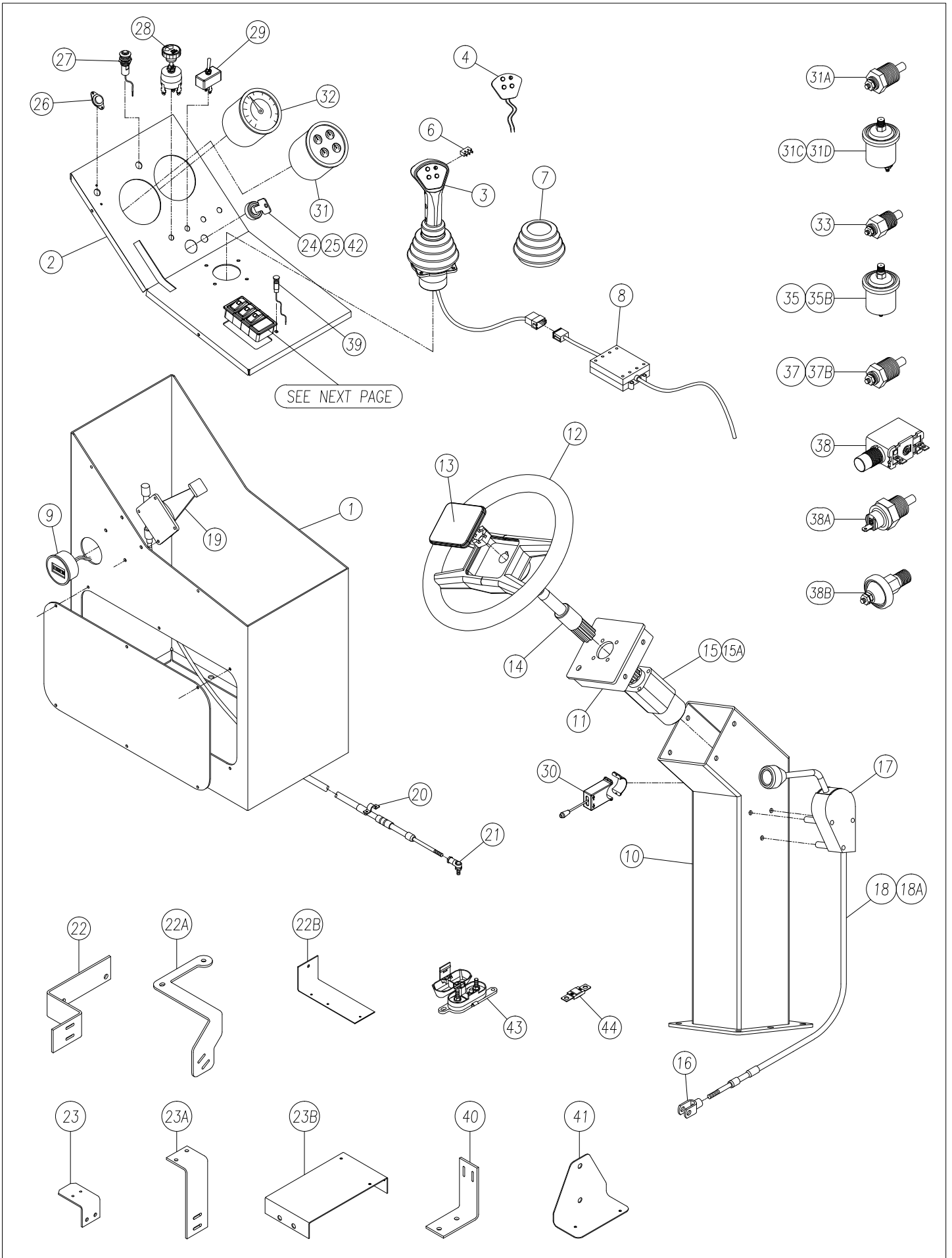
### Superior Broom Coreless Tube Brush

Item	Part No.	Description
1	01-78000-800	Core - Full Poly - Coreless Tube Brush 96"
	01-78000-810	Core - Poly / Wire Combination - Coreless Tube Brush 96"
2	01-13000-806	Core End Plate - Coreless Brush
3	01-13000-010	Core Idler Shaft Weldment
4	01-13000-007	Drive Hub



## Strip Brush

Item	Part No.	Description
1	01-78000-401/96	Strip Core 96" (Includes Item #3)
2	01-78000-402/96	Poly Strips (36 Per Set)
3	01-78000-403	Strip Core End Plates (Pair)
4	01-13000-007	Drive Hub
5	01-13000-010	Core Idler Shaft Weldment

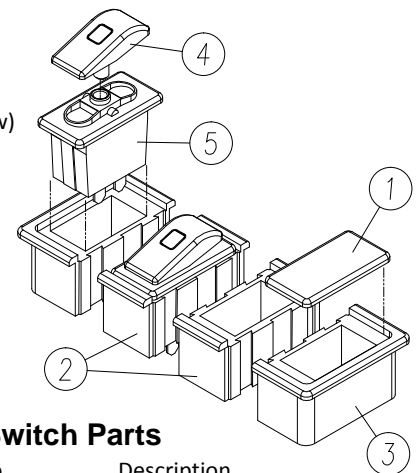


## Control Console

Item	Part No.	Description
1	01-17000-001	Console Unit (Includes Base & Side Panel)
2	01-17000-005T2R4	Console Top Panel *
3	01-50600-015JS	Joystick
4	01-50601-016JS	Joystick Button Panel w/ LED
5	JS-1	Joystick Driver Chip (Not Shown)
6	JS-2	Joystick Function Switch
7	JS-3	Joystick Rubber Boot
8	01-50600-060JS	Joystick Driver Board w/ Harness
9	01-50000-078	Hour Meter
10	01-17100-001	Steering Column
11	01-17100-005	Steering Column Cap
12	01-50000-097	Steering Wheel
13	01-50000-098	Steering Wheel Cover
14	01-50600-010	Steering Column
15	01-50600-011	Hydraulic Steering Unit
15A	SK9900252-000	Steering Unit Seal Kit (Not Shown) (Non-Stock Item)
16	01-50000-101	2-Speed Shift Cable Clevis
17	01-50000-202	2-Speed Shift Lever (Bent Lever)
	01-50000-102	2-Speed Shift Lever (Straight Lever) (Not Shown)
18	01-50000-203	2-Speed Shift Cable (Serial # 806361 & Up) 74"
18A	01-50000-103B	2-Speed Shift Cable (Serial # 806360 & Down) 59½"
19	01-50000-104	Throttle Lever Assembly w/ Cable
20	01-50000-105	Throttle Cable Clamp
21	01-50000-631	Throttle Cable Rod End Connector
22	02-11000-025	Throttle Cable Bracket (John Deere)
22A	02-11000-025T3	Throttle Cable Bracket (John Deere) - Tier 3
22B	02-51000-005	John Deere Main Fuse Bracket
23	03-11000-025	Throttle Cable Bracket (Cummins)
23A	04-11000-025	Throttle Cable Bracket (Cummins Turbo)
23B	04-51000-005	Cummins Main Fuse Holder Bracket
24	02-50000-503	Ignition Switch (John Deere)
	JD KEY	John Deere Ignition Key
25	03-50000-503	Ignition Switch (Cummins)
	CUMMINS KEY	Cummins & Cummins Turbo Ignition Key
26	01-51000-039	Horn Button
27	01-50000-030	Park Brake Light
28	01-16000-013	Wiper Switch
29	01-84000-008	Heater Switch
30	01-79000-010	Turn Signal Switch
31	01-51000-015B	Combo Gauge, Bede (Water Temp, Volt, Fuel, Oil Pressure 150 PSI)
31A	01-51000-017	Water Temp Sender
31B	01-51000-018	Fuel Gauge Sender (Not Shown) See Page 21
31C	01-51000-019	Oil Pressure Sender - 80 psi
31D	01-51000-019B	Oil Pressure Sender - 150 psi
32	01-51000-016	Tachometer
33	01-73000-002	Hyd. Temp Gauge Sender (815043 & Down/Old) (815044 & Up/New)
34	01-50000-080	Oil Pressure Timer Relay (Not Shown)
34B	01-50000-080B	Oil Pressure Timer Relay (Not Shown)
35	01-50000-081	Oil Pressure Sender - 80 psi
35B	01-50000-081B	Oil Pressure Sender - 100 psi
36	01-50000-082	Hyd. Temp Gauge (Not Shown) (815043 & Down/Old) (815044 & Up/New)
37	01-50000-086	Water Temperature Sender - 100-280 °F
37B	01-50000-086B	Water Temperature Sender - 100-250 °F
38	01-51000-051	Audio/Visual Engine Alarm
38A	01-51000-052	Water Temperature Switch
38B	01-51000-053	Oil Pressure Switch
39	01-51000-030	Brush Speed Indicator Light
40	06-11000-025	Throttle Bracket (Kubota)
41	06-51000-005	Fuse Bracket Holder (Kubota)
42	06-50000-503	Ignition Switch (Kubota)
	KUBOTA KEY	Kubota Ignition Key
43	FMG-211	Fuse Holder
44	400A	Fuse - Specify Size (400A, 250A, 150A, 125A)
45	01-50000-083	Tachometer (Not Shown)
45B	01-50000-083B	Tachometer (Not Shown)
46	01-50000-077	Fuel Gauge (Not Shown)
46B	01-50000-077B	Fuel Gauge (Not Shown)
47	01-50000-085	Water Temp. Gauge (Not Shown) - 100-280 °F
47B	01-50000-085B	Water Temp. Gauge (Not Shown) - 100-250 °F
48	01-50000-079	Oil Pressure Gauge (Not Shown) - 80 psi
48B	01-50000-079B	Oil Pressure Gauge (Not Shown) - 100 psi
49	01-50000-084	Voltmeter (Not Shown)
49B	01-50000-084B	Voltmeter (Not Shown)

\* - Top Panel May Vary Due To Options - S/N Required

( Hydraulic Control Panel - 01-50600-015 Is Obsolete - See Next Page For Joystick Conversion Kit )



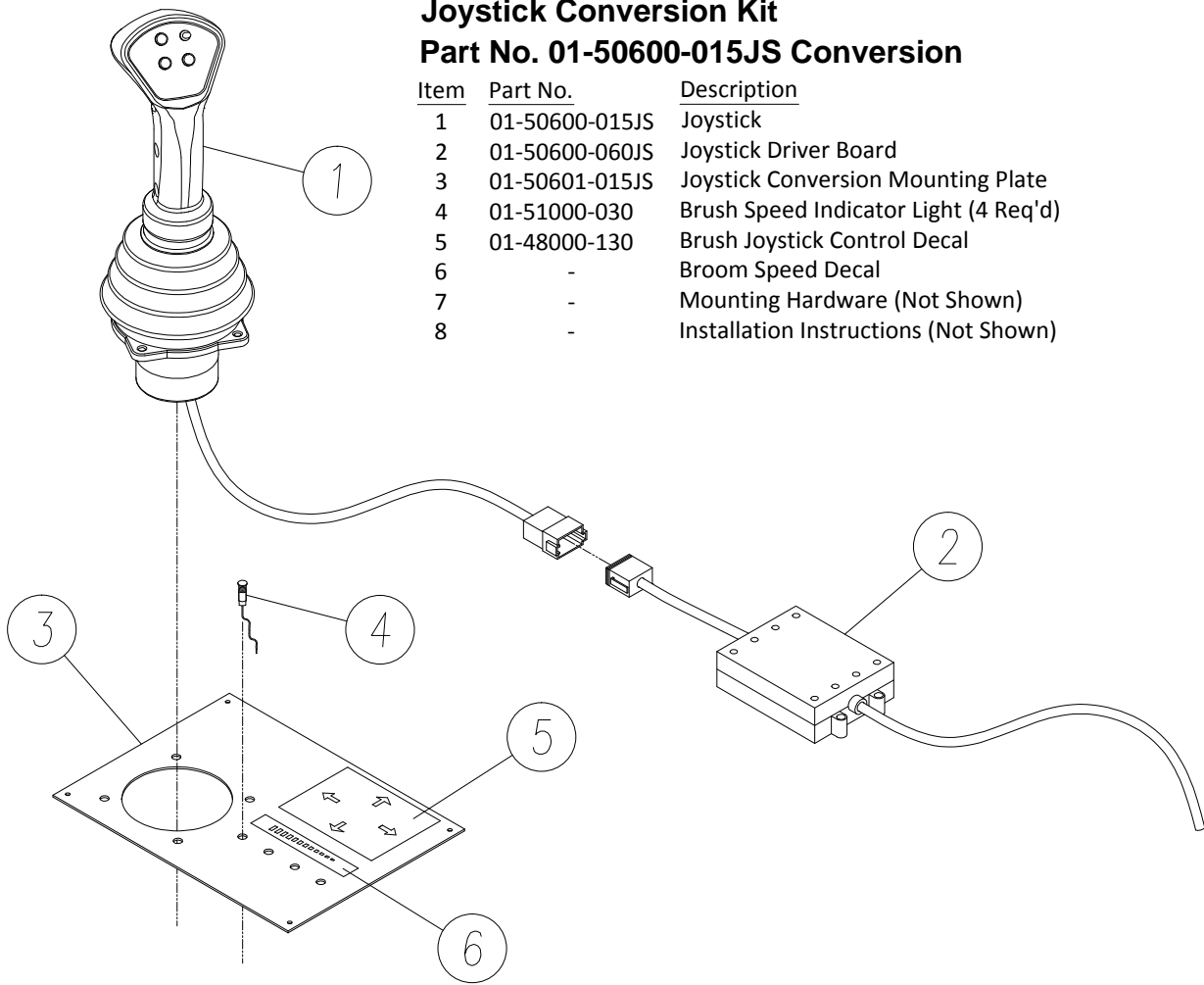
### Rocker Switch Parts

Item	Part No.	Description
1	01-50000-111B1	Mounting Panel - Plug
2	01-50000-111B2	Mounting Panel - Middle
3	01-50000-111B3	Mounting Panel - End
* 4	01-50000-111B4	Switch Actuator
* 5	01-50000-111B5	Switch Assembly (Less Actuator)

\* - Typically Item #'s 4 & 5 Should Be Ordered Together

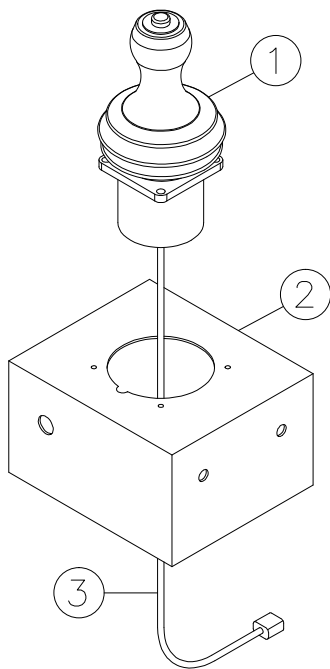
## Joystick Conversion Kit Part No. 01-50600-015JS Conversion

Item	Part No.	Description
1	01-50600-015JS	Joystick
2	01-50600-060JS	Joystick Driver Board
3	01-50601-015JS	Joystick Conversion Mounting Plate
4	01-51000-030	Brush Speed Indicator Light (4 Req'd)
5	01-48000-130	Brush Joystick Control Decal
6	-	Broom Speed Decal
7	-	Mounting Hardware (Not Shown)
8	-	Installation Instructions (Not Shown)



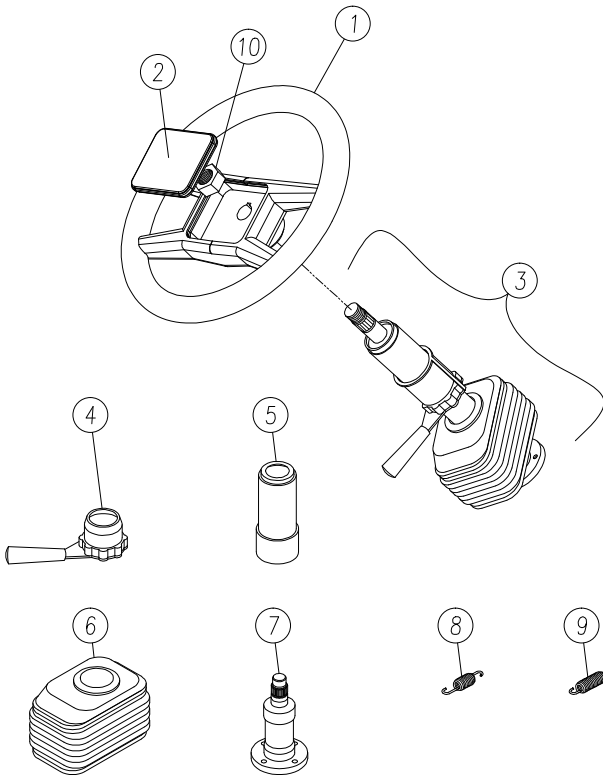
## Scraper Blade & Gutter Brush Control Joystick

Item	Part No.	Description
1	01-50600-075JS	Gutter Brush / Scraper Blade Accessory Control Joystick
2	01-17300-010JS	Joystick Mounting Box
3	01-51000-075	GutterBrush / Scraper Blade Joystick Wiring Harness



## Tilt Steering

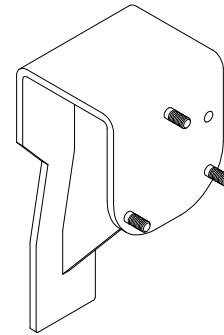
Item	Part No.	Description
1	01-50000-097	Steering Wheel
2	01-50000-098	Steering Wheel Center
3	01-77000-001	Telescopic Steering
4	01-77000-003	Tilt Lock Lever
5	01-77000-004	Tilt Steering Sleeve
6		Boot
7		Column Assembly
8	01-77000-005	Spring, Latch (2 Req'd)
9	01-77000-006	Spring, Counterbalance (2 Req'd)
10	01-78000-003	Steering Wheel Nut



## Spare Tire Mount

Part Number 01-88000-001

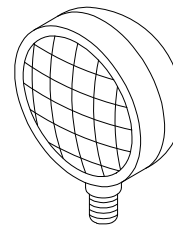
When Ordering, Please Indicate Intended Method Of Installation; Either Bolt-On Or Welding.



## Battery 12V

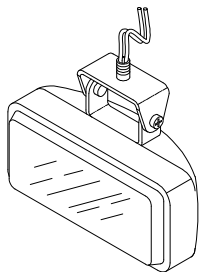
Part Number 01-50000-051  
950 CCA Battery

Battery Hold Down Bolts & Strap 01-50000-052



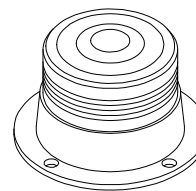
## Work Light - Halogen

Part Number 01-74000-001



## Head Lamp / Driving Light

Part Number 01-79000-009



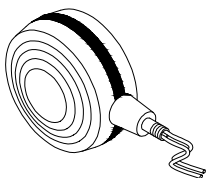
## Rotating Beacon

Part Number 01-80000-101



## Cover Reflector 4 1/4"

Part Number 01-18000-052

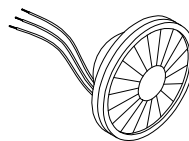


## Turn / Hazard Light

Part Number 01-79000-008

## Turn / Hazard Light LED

Part Number 01-79000-016

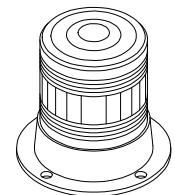


## Brake / Tail Light

Part Number 01-79000-003

## Brake / Tail Light LED

Part Number 01-79000-013

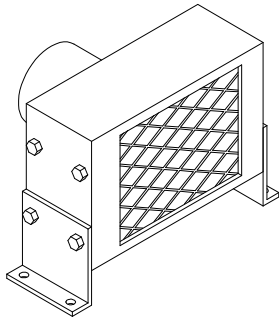


## Strobe Light

Part Number 01-80000-001

## Replacement Bulb with Circuit Board

Part Number 01-80000-003



**Cab Heater**

Part Number 01-84000-007

**Cab Heater Kit (Cummins)**

Part Number BOM-01-84000-000C  
Kit Includes Part #'s Listed Below

- 01-75000-006 1/2" Ball Valve
- 01-84000-003 5/8" Heater Hose
- 01-84000-007 Heater
- 01-84000-008 Heater Switch
- 01-84000-009 Coolant Hose
- 01-84000-010 Brass Hose Splice - 5/8"

**Cab Heater Kit (John Deere)**

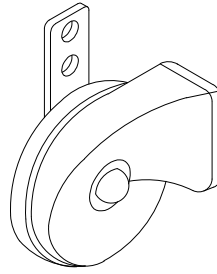
Part Number BOM-01-84000-000J  
Kit Includes Part #'s Listed Below

- 01-84000-001 Shut Off Valve
- 01-84000-003 5/8" Heater Hose
- 01-84000-007 Heater
- 01-84000-008 Heater Switch
- 01-84000-009 Coolant Hose
- 01-84000-010 Brass Hose Splice - 5/8"

**Cab Heater Kit (Kubota)**

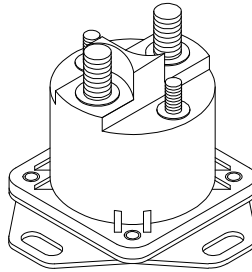
Part Number BOM-01-84000-000K  
Kit Includes Part #'s Listed Below

- 01-75000-006 1/2" Ball Valve
- 01-84000-003 5/8" Heater Hose
- 01-84000-007 Heater
- 01-84000-008 Heater Switch
- 01-84000-009 Coolant Hose
- 01-84000-010 Brass Hose Splice - 5/8"



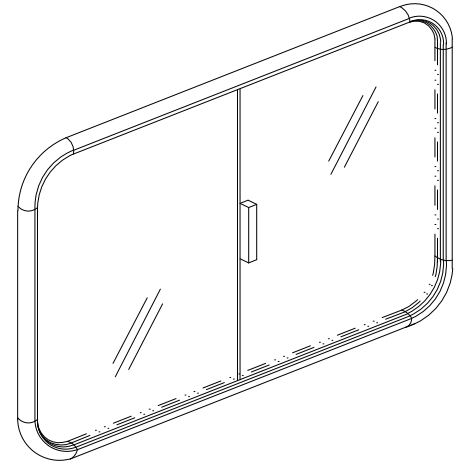
**Horn**

Part Number 01-51000-038



**John Deere Starter Solenoid**

Part Number RE170320



**Cab Sliding Side Window**

Part Number 01-16000-103R



**Fuse Panel**

Part Number 01-51000-009

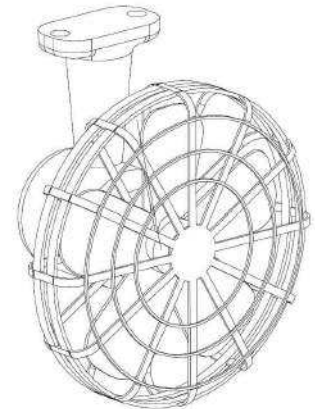
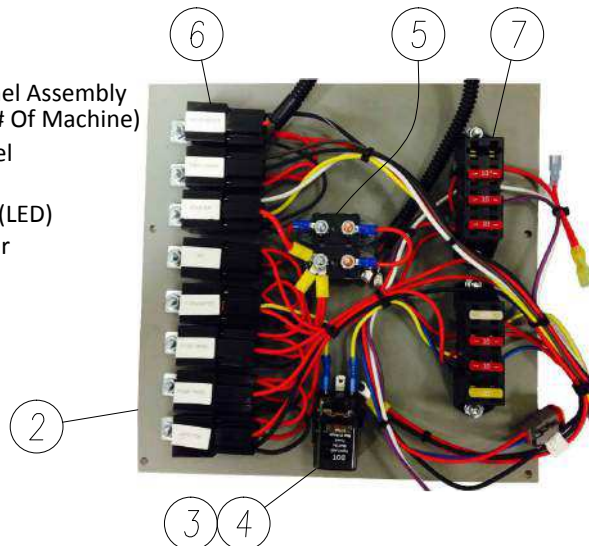


**Core Alignment Kit**

Part Number 01-13001-000

**Electrical Components**

Item	Part No.	Description
1	01-51000-005	Complete Panel Assembly (Specify Serial # Of Machine)
2	01-51000-004B	Electrical Panel
3	01-79000-001	Flasher Relay
4	01-79000-101	Flasher Relay (LED)
5	03-13029	Circuit Breaker
6	01-51000-008	Relay
7	01-51000-007	Fuse Block

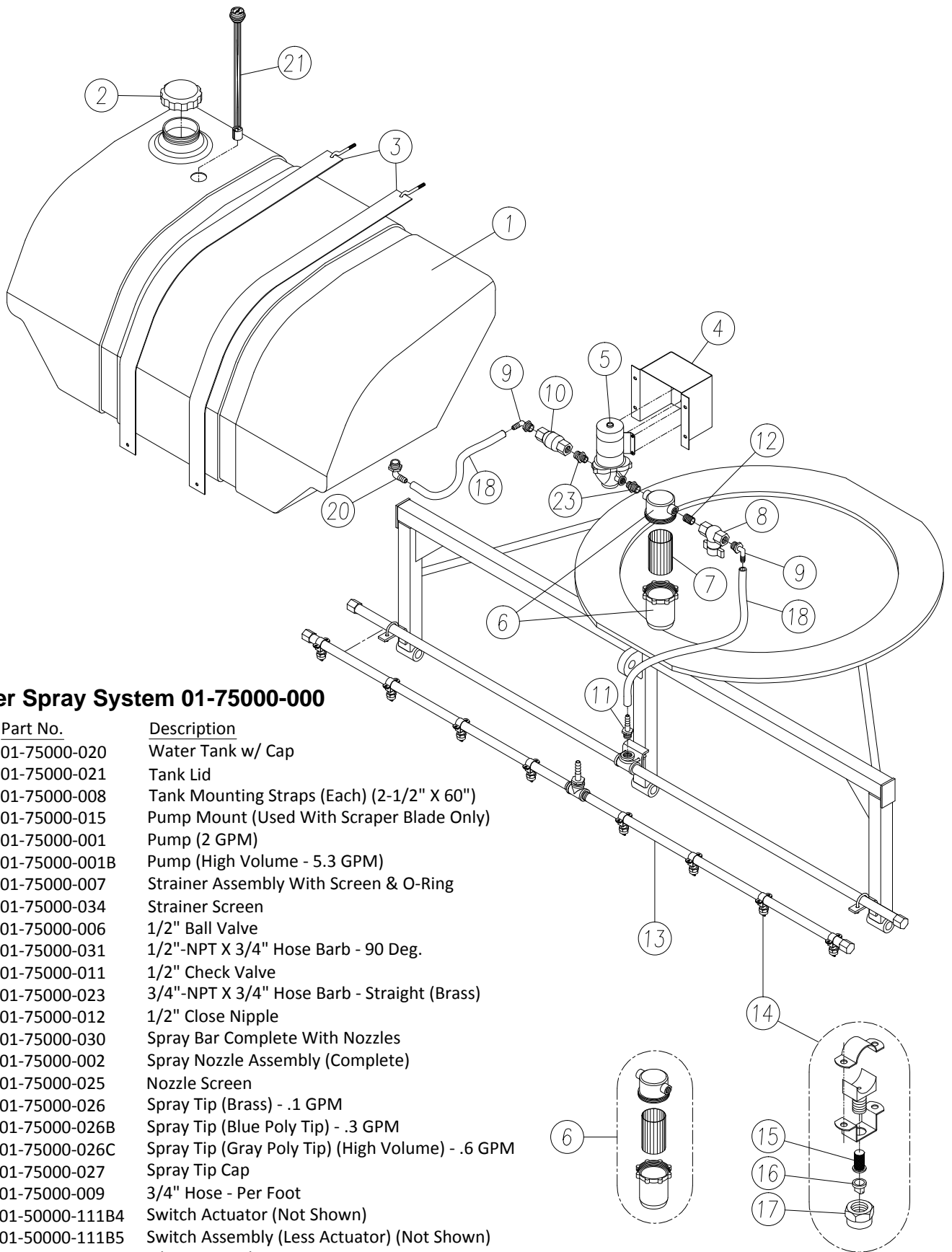


**Defroster Fan**

Part Number 01-85000-001

**Defroster Fan Kit**

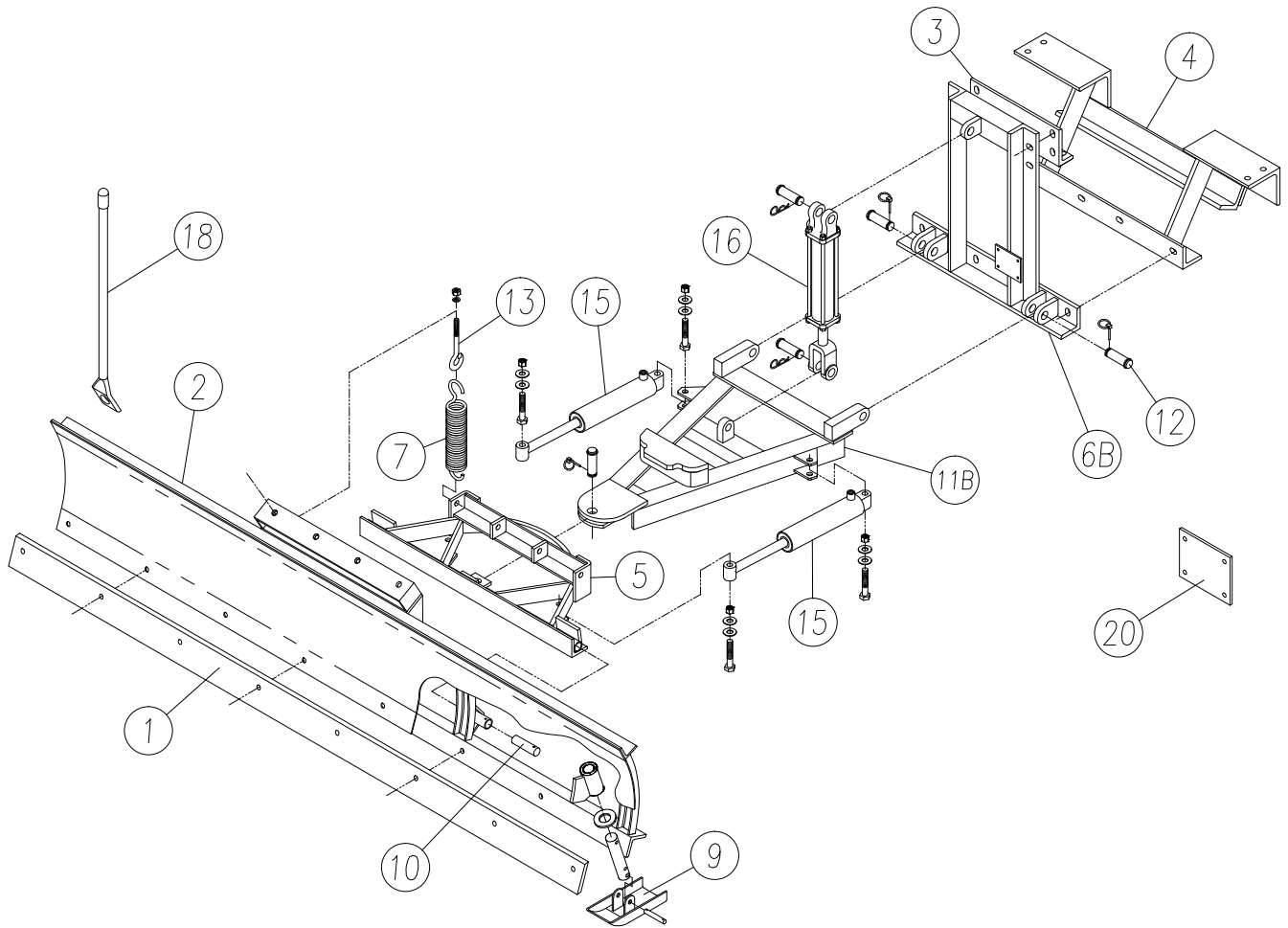
Part Number BOM-01-85000-000  
(Includes Fan & Mounting Bracket)



## Water Spray System 01-75000-000

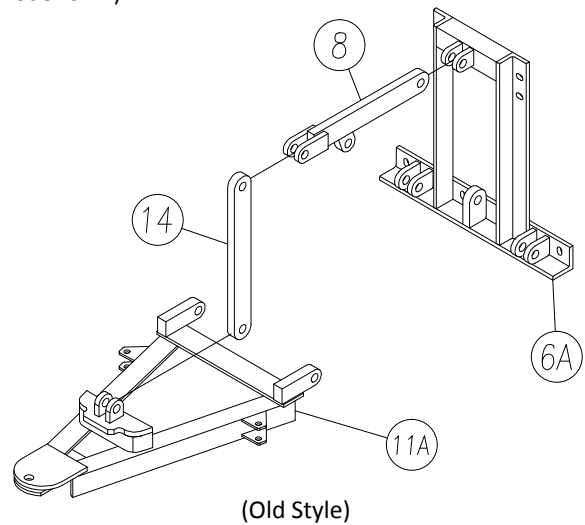
Item	Part No.	Description
1	01-75000-020	Water Tank w/ Cap
2	01-75000-021	Tank Lid
3	01-75000-008	Tank Mounting Straps (Each) (2-1/2" X 60")
4	01-75000-015	Pump Mount (Used With Scraper Blade Only)
5	01-75000-001	Pump (2 GPM)
	01-75000-001B	Pump (High Volume - 5.3 GPM)
6	01-75000-007	Strainer Assembly With Screen & O-Ring
7	01-75000-034	Strainer Screen
8	01-75000-006	1/2" Ball Valve
9	01-75000-031	1/2"-NPT X 3/4" Hose Barb - 90 Deg.
10	01-75000-011	1/2" Check Valve
11	01-75000-023	3/4"-NPT X 3/4" Hose Barb - Straight (Brass)
12	01-75000-012	1/2" Close Nipple
13	01-75000-030	Spray Bar Complete With Nozzles
14	01-75000-002	Spray Nozzle Assembly (Complete)
15	01-75000-025	Nozzle Screen
16	01-75000-026	Spray Tip (Brass) - .1 GPM
	01-75000-026B	Spray Tip (Blue Poly Tip) - .3 GPM
	01-75000-026C	Spray Tip (Gray Poly Tip) (High Volume) - .6 GPM
17	01-75000-027	Spray Tip Cap
18	01-75000-009	3/4" Hose - Per Foot
19	01-50000-111B4	Switch Actuator (Not Shown)
	01-50000-111B5	Switch Assembly (Less Actuator) (Not Shown)
20	01-75000-024	3/4"-NPT X 3/4" Hose Barb - 90 Deg.
21	01-75000-050	Level Gauge
22	01-48000-011T	Water Tank Decal (2 Req'd) (Not Shown)
23	01-75000-019	3/8"-NPT X 1/2"-NPT Nipple Male (2 Req'd)





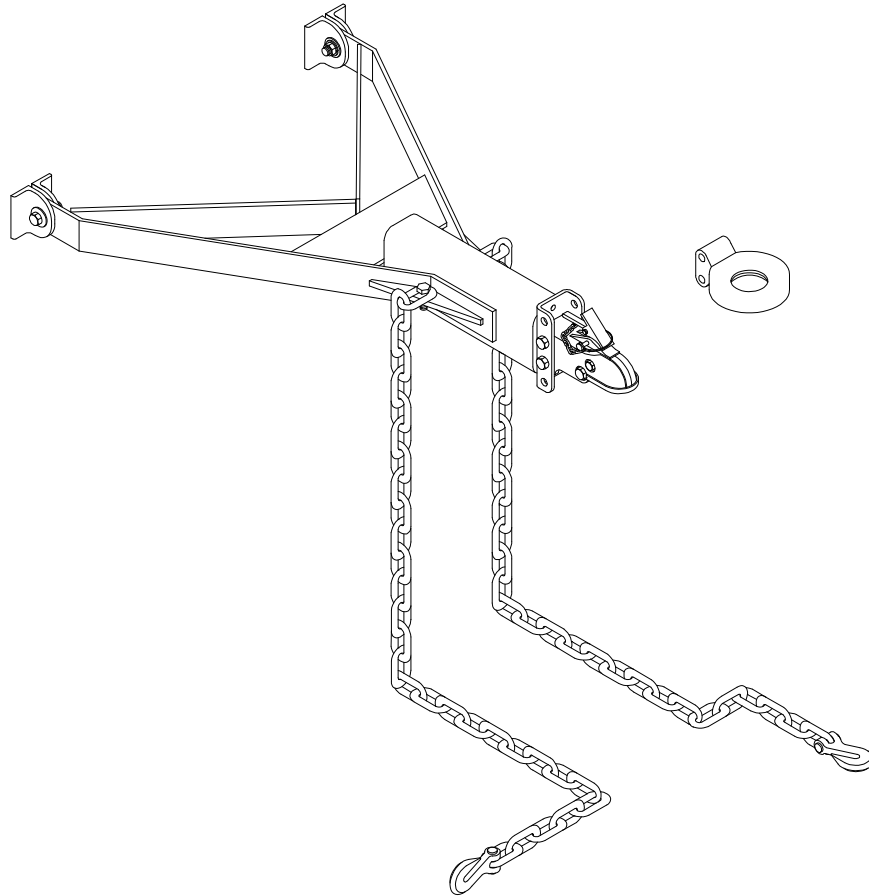
### Scraper Blade Assembly Kit BOM-01-15000-000

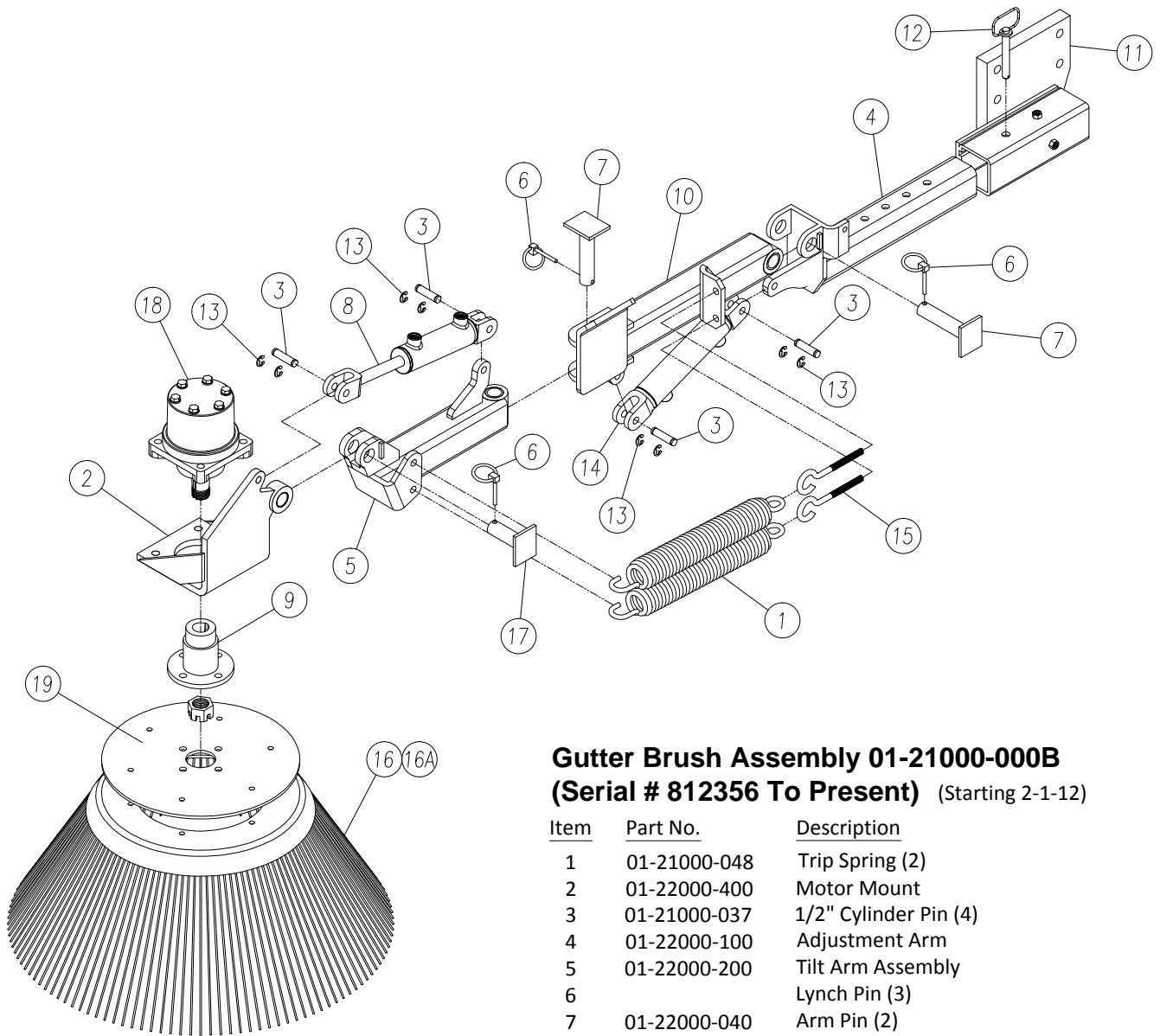
Item	Part No.	Description
1	01-15000-402	Cutting Edge (High Carbon Steel) Standard HD - 90" X 6" X 1/2"
1A	01-15000-402C	9' Blade - Cutting Edge Extensions (2 Req'd) (Not Shown)
2	01-15000-400	Moldboard Assembly
3	01-15000-003	Frame Angle
4	01-15000-100	Frame Mount
5	01-15000-500	Pivot Frame
6A	01-15000-200	Frame Front Mount
6B	01-15000-200B	Frame Front Mount
7	01-15000-011	Trip Spring (4 Req'd)
8	01-15000-300	Lift Arm
9	01-15000-416	Skid Shoe Assembly
10	01-15000-014	Pivot Pin Set (2 Pins)
11A	01-15000-600	A-Frame Assembly
11B	01-15000-600B	A-Frame Assembly
12	01-15000-005	Hinge Pin
13	01-15000-009	Eye Bolt (For Trip Spring) (4 Req'd)
14	01-15000-004	Lift Arm Linkage
15	01-15000-013	Pivot Cylinder (2 Req'd)
16	01-50000-036	Lift Cylinder
17	01-15000-403	Cutting Edge Bolt Set (Not Shown)
18	01-15000-016	Marker Kit (Contains Two Markers w/ Bolts)
19	01-15000-015	Hose Quick Coupler (Not Shown) (2 Req'd)
20	01-15000-208	Water Pump Mounting Bracket (Bolt -On)
21	SK1C4244	Lift Cylinder Seal Kit (Not Shown)
22	SK1305100	Pivot Cylinder Seal Kit (Not Shown) Non-Stock Item



## Tow Bar Assembly

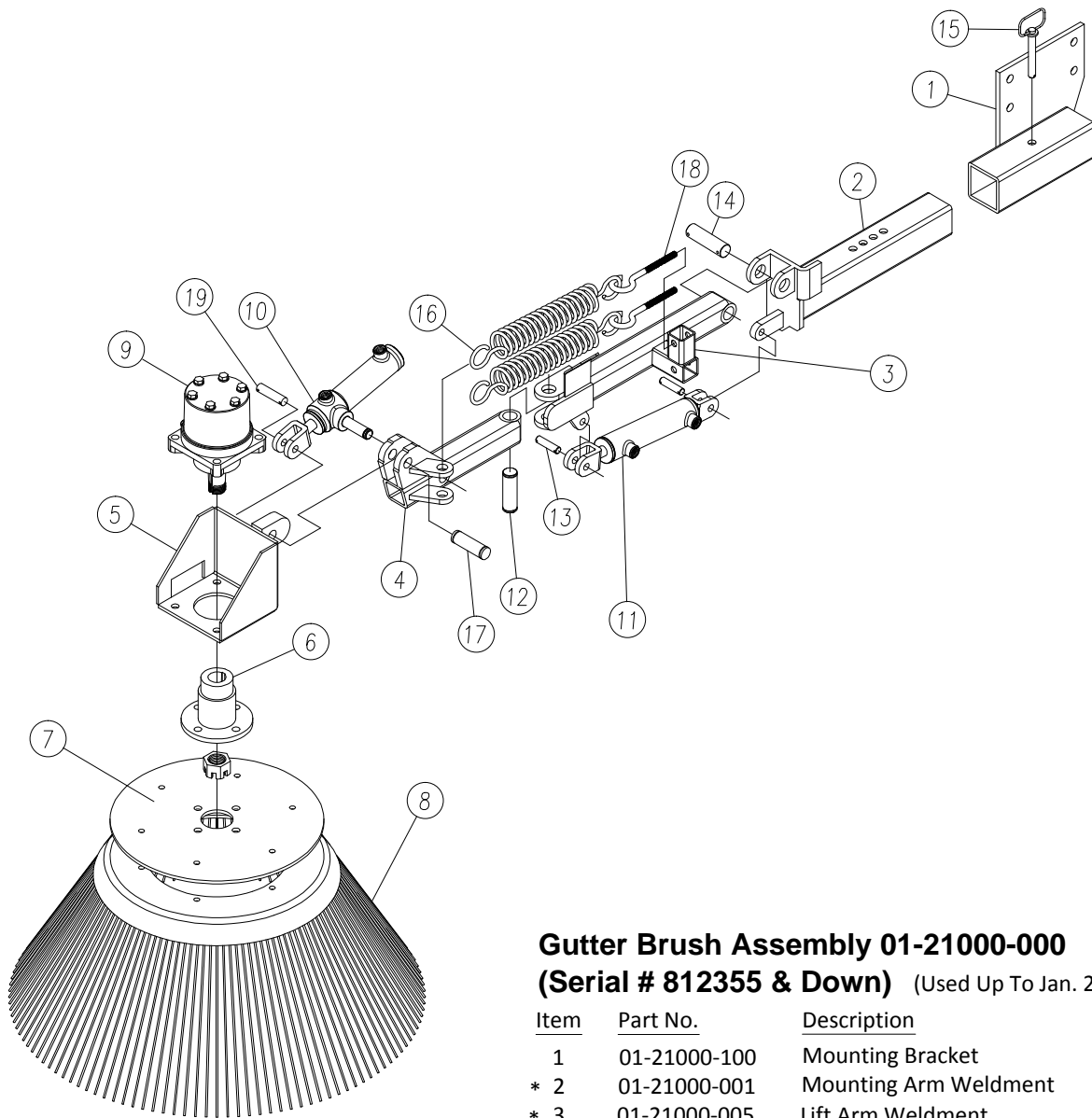
<u>Item</u>	<u>Part No.</u>	<u>Description</u>
1	BOM-01-19000-100	Tow Bar - Standard w/ Pintle Eye
2	BOM-01-19000-200	Tow Bar - Standard w/ 2 5/16 Ball Hitch
3	BOM-01-19000-300	Tow Bar - Surge Brake w/ Pintle Eye
4	BOM-01-19000-400	Tow Bar - Surge Brake w/ 2 5/16 Ball Hitch





**Gutter Brush Assembly 01-21000-000B**  
**(Serial # 812356 To Present)** (Starting 2-1-12)

Item	Part No.	Description
1	01-21000-048	Trip Spring (2)
2	01-22000-400	Motor Mount
3	01-21000-037	1/2" Cylinder Pin (4)
4	01-22000-100	Adjustment Arm
5	01-22000-200	Tilt Arm Assembly
6		Lynch Pin (3)
7	01-22000-040	Arm Pin (2)
8	01-21000-052B	Hydraulic Tilt Cylinder
9	01-21000-045	Hub Assembly
10	01-22000-300	Lift Arm Assembly
11	01-21000-100	Mounting Bracket
12	01-21000-049	Primary Mount Pin
13		"E" Clips (8)
14	01-21000-051B	Hydraulic Lift Cylinder
15		Eye Bolt (2)
16	01-21000-055	Wire Brush
16A	01-21000-055P	Poly Brush
17	01-22000-036	Motor Mount Pivot Pin
18	01-21600-002	Hydraulic Motor
19	01-21000-035	Brush Mounting Plate
20	SK4C5677	Lift/Tilt Cylinder Seal Kit (Not Shown)
21	01-48000-210	Decal - Joystick Control (Not Shown)
22	01-21600-001	Manifold (Not Shown)
23	01-50600-075JS	Joystick (Not Shown)
24	01-51000-075	Joystick Harness (Not Shown)



**Gutter Brush Assembly 01-21000-000**  
**(Serial # 812355 & Down)** (Used Up To Jan. 2012)

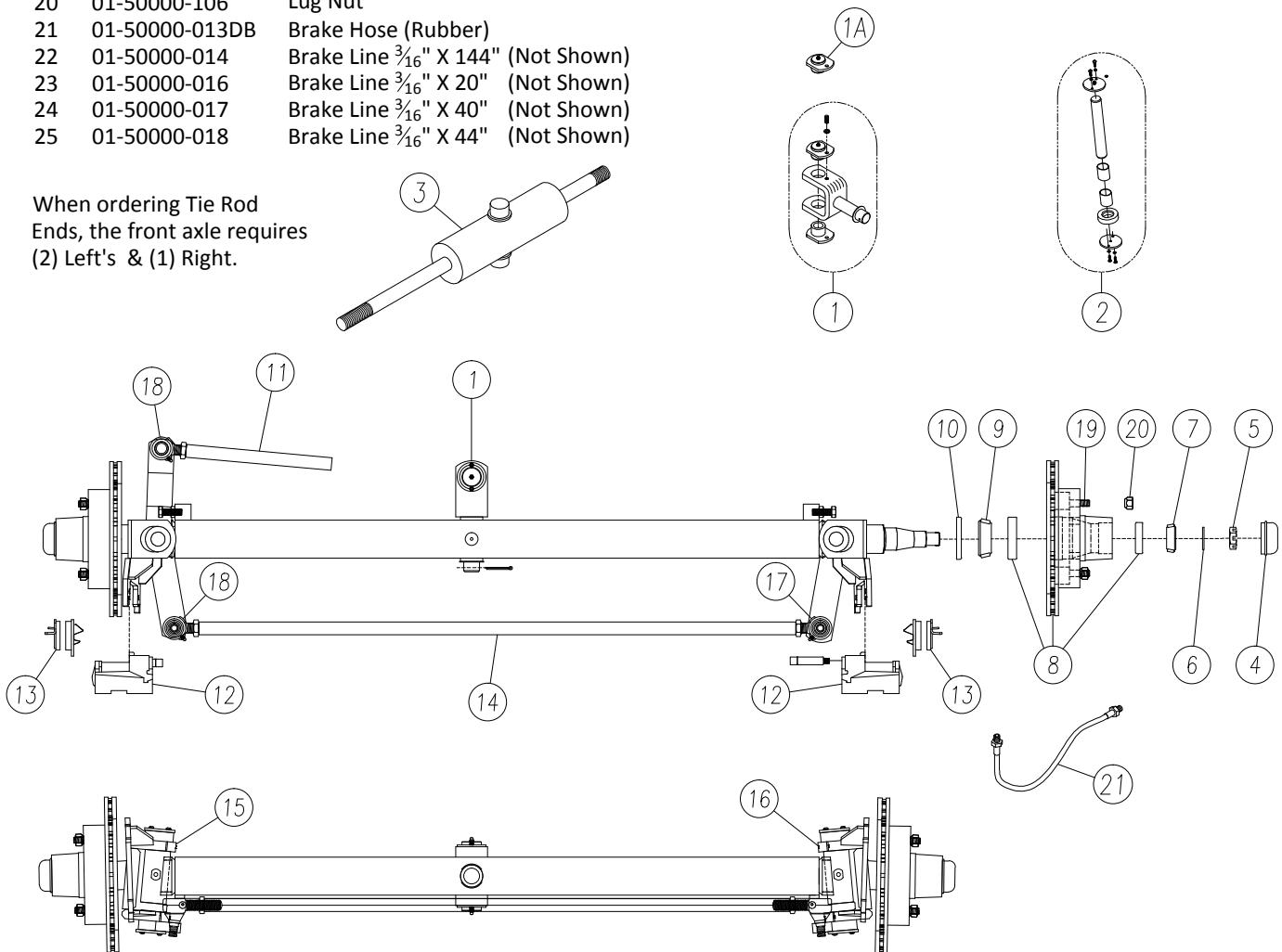
Item	Part No.	Description
1	01-21000-100	Mounting Bracket
* 2	01-21000-001	Mounting Arm Weldment
* 3	01-21000-005	Lift Arm Weldment
* 4	01-21000-015	Tilt Arm Weldment
* 5	01-21000-025	Motor Mount
6	01-21000-045	Hub Weldment
7	01-21000-035	Brush Mounting Plate
8	01-21000-055	Wire Brush
8A	01-21000-055P	Poly Brush
9	01-21600-002	Brush Motor
* 10	01-21000-052	Tilt Cylinder
* 11	01-21000-051	Lift Cylinder
* 12	01-21000-038	Cen. Pivot Pin
* 13	01-21000-037	1/2" Cylinder Pin (2)
* 14	01-21000-040	Mounting Pin
15	01-21000-049	1/2" Pin
16	01-21000-048	Trip Springs (2)
* 17	01-21000-036	Motor Mount Pivot Pin
* 18	01-21000-056	"J" Bolt (2)
* 19	01-21000-039	Cyl. Lower Pin
20	SK4C5677	Lift/Tilt Cylinder Seal Kit (Not Shown)

\* - Discontinued - Call For Availability

## Front Axle Assembly (Disc Brakes)

Item	Part No.	Description
1	01-14100-001	Cylinder Mount Assembly
1A	01-14100-017	Cylinder Mount Bushing
2	01-14100-002	King Pin Kit - Does Both Sides
	01-14100-002B	King Pin Kit - One Side Only
3	01-50000-003	Front Axle Steering Cylinder
	SK-ACAK2Q1Q	Seal Kit - Steering Cylinder (Not Shown)
4	01-14100-003	Grease Cap
5	01-14100-104	Castle Nut w/ Cotter Pin
6	01-14100-015	Spindle Washer
7	01-14100-005DB	Outer Bearing - Bearing Only
8	01-14100-106B	Hub & Rotor Assembly (6 Bolt) - Includes Race & Studs
9	01-14100-012	Inner Bearing - Bearing Only
10	01-14100-011B	Inner Seal
11	01-14100-008	Cylinder Tie Rod Tube (Short)
12	01-14100-130	Caliper (Left or Right)
13	01-14100-PAD	Brake Pad Set (4 Pads) (Does Both Sides)
14	01-14100-114	Tie Rod Tube (Long)
15	01-14100-107	Knuckle w/ Spindle - Left
16	01-14100-110	Knuckle w/ Spindle - Right
17	01-14100-016	Right Tie Rod End
18	01-14100-013	Left Tie Rod End
19	35491-FB	Wheel Stud
20	01-50000-106	Lug Nut
21	01-50000-013DB	Brake Hose (Rubber)
22	01-50000-014	Brake Line $\frac{3}{16}$ " X 144" (Not Shown)
23	01-50000-016	Brake Line $\frac{3}{16}$ " X 20" (Not Shown)
24	01-50000-017	Brake Line $\frac{3}{16}$ " X 40" (Not Shown)
25	01-50000-018	Brake Line $\frac{3}{16}$ " X 44" (Not Shown)

When ordering Tie Rod Ends, the front axle requires (2) Left's & (1) Right.



For Axle Assembly Order Part # **01-50000-001DB**, Steering Cylinder & Brake Lines Sold Separately

## Paint & Manuals

<u>Part No.</u>	<u>Description</u>
Yellow Topcoat Spray	Touch-Up Paint (This Item May Only Be Shipped Ground)
Parts Manual	Parts Manual
Operation Manual	Operator & Service Manual
Service Manual	Overhaul & Service Manual (Must specify Model & S/N of machine)

## Decals

<u>Part No.</u>	<u>Description</u>
01-48000-000	Decal Kit "Superior Broom" Includes: (2) 01-48000-001 & (1) 01-48000-011
01-48000-001	Large Superior Broom Decal
01-48000-011	Small Superior Broom Decal
01-48000-010	Decal Sheet
01-48000-010S	Decal Sheet (Spanish Version)
02-48000-020	DT80J Decal
03-48000-020	DT80C Decal
04-48000-020	DT80CT Decal
06-48000-020	DT80K Decal
01-48000-011T	Water Tank Decal
01-48000-002	USA Decal
01-48000-003	A/C Decal

## Superior Broom

Complete Filter Kit  
(Order By Serial Number)

### P/N - Filter Kit-Cummins ( Includes One Each Of The Items Below )

01-50001-046B	Engine Air Cleaner - Outer Filter (Serial # 807519 & Up)
01-50001-047B	Engine Air Cleaner - Inner Filter (Serial # 807519 & Up)
01-86000-120	Cab - Air Cleaner Filter
* 01-50600-004	Hydraulic Charge Filter Element (Spin On) (Serial # 815019 & Down)
* 01-50600-004M	Hydraulic Charge Filter Element (Spin On) (Serial # 815020 & Up)
01-50600-014	Hydraulic Return Filter Element (Tank Filter)
01-50600-017	Hydraulic Breather Filter
02-50000-627	Inline Fuel Filter
FF5432	Fuel Filter
LF16011	Oil Filter

### P/N - Filter Kit-Deere ( Includes One Each Of The Items Below )

01-50001-046B	Engine Air Cleaner - Outer Filter (Serial # 807519 & Up)
01-50001-047B	Engine Air Cleaner - Inner Filter (Serial # 807519 & Up)
01-86000-120	Cab - Air Cleaner Filter
* 01-50600-004	Hydraulic Charge Filter Element (Spin On) (Serial # 815019 & Down)
* 01-50600-004M	Hydraulic Charge Filter Element (Spin On) (Serial # 815020 & Up)
01-50600-014	Hydraulic Return Filter Element (Tank Filter)
01-50600-017	Hydraulic Breather Filter
02-50000-627	Inline Fuel Filter
RE522868	Fuel Filter
RE504836	Oil Filter

### P/N - Filter Kit-Kubota ( Includes One Each Of The Items Below )

01-50001-046B	Engine Air Cleaner - Outer Filter (Serial # 807519 & Up)
01-50001-047B	Engine Air Cleaner - Inner Filter (Serial # 807519 & Up)
01-86000-120	Cab - Air Cleaner Filter
* 01-50600-004	Hydraulic Charge Filter Element (Spin On) (Serial # 815019 & Down)
* 01-50600-004M	Hydraulic Charge Filter Element (Spin On) (Serial # 815020 & Up)
01-50600-014	Hydraulic Return Filter Element (Tank Filter)
01-50600-017	Hydraulic Breather Filter
02-50000-627	Inline Fuel Filter
06-50000-403	Fuel Filter
06-50000-402	Oil Filter

# Superior Broom

## Recommended Stock List

### Cummins 3.3 CT

<u>Part No.</u>	<u>Description</u>	<u>Qty.</u>
01-50600-014	Hydraulic Return Filter Element (Tank Filter)	2
01-50600-004	Hydraulic Charge Filter Element (Spin On) (Serial # 815019 & Down)	2
01-50600-017	Hydraulic Breather Filter	2
02-50000-627	Inline Fuel Filter	2
LF16011	Cummins 3.3T Engine Oil Filter	2
FF5432	Cummins 3.3T Engine Fuel Filter	2
04-86000-005	Cummins 3.3T A/C Belt	1
T22485	Cummins Turbo 3.3L Engine Belt	1
01-50001-046	Engine Air Cleaner - Outer Filter	2
01-50001-047	Engine Air Cleaner - Inner Filter	2
01-50001-046B	Engine Air Cleaner - Outer Filter (Serial # 807519 & Up)	2
01-50001-047B	Engine Air Cleaner - Inner Filter (Serial # 807519 & Up)	2
01-86000-120	Cab - Air Cleaner Filter	2
01-75000-026	Water System Spray Tips (Brass)	8
01-75000-026B	Water System Spray Tips (Blue Poly Tip)	8
01-75000-025	Water System Spray Nozzle Screen	8
01-75000-034	Water System Strainer Screen	1
01-13000-107	Core Motor Mounting Pin	1
01-50600-001B	Hydraulic Core Motor	1
01-13000-007	Core Drive Hub	2
01-13000-010	Core Idler Shaft Weldment	1
01-50000-035	Core Pillow Block Bearing	2
01-50000-032	Circle Bearing	10
01-78000-000	Poly Wafer Set (Includes Spacers)	1*
01-78000-100	1/2 & 1/2 Wafer Set (Includes Spacers)	1*
01-78000-800	Core - Full Poly - Coreless Tube Brush 96"	1*
01-78000-810	Core - Poly / Wire Combination - Coreless Tube Brush 96"	1*
01-78000-201/96	Poly Tube Core Brush 96"	1*
01-16000-025	Front Wiper Blade	1
01-50000-108	Rubber Rock Guard	1
01-50001-005	Rear Axle Break Shoe Set (4 Shoes) Does Both Sides	1
01-14000-028	Front Axle Break Shoe Set (4 Shoes) Does Both Sides	1
01-16000-009	Door Tether	1
01-16000-010	Door Gas Shock	1
CAB KEY	Door Keys - Lever Action Style Door Handle	1
NEW CAB KEY	Door Keys - Push Button Style Door Handle	1
CUMMINS KEY	Cummins & Cummins Turbo Ignition Key	1
01-89000-001K	Replacement Key - For 01-89000-001B	1
01-50600-004M	Hydraulic Charge Filter Element (Spin On) (Serial # 815020 To Present)	2

\* Stock Brush Sets According To Dealer Machine Sales

### Cummins 4.5

LF-3805	Cummins 4.5 Tier II Engine Oil Filter	2
FS-19608	Cummins 4.5 Tier II Engine Fuel Filter	2
03-86000-005	Cummins 4.5 A/C Belt	1
3289078	Cummins 4.5 Engine Belt	1

# Superior Broom

## Recommended Stock List

### John Deere 4.5

<u>Part No.</u>	<u>Description</u>	<u>Qty.</u>
01-50600-014	Hydraulic Return Filter Element (Tank Filter)	2
01-50600-004	Hydraulic Charge Filter Element (Spin On) (Serial # 815019 & Down)	2
01-50600-017	Hydraulic Breather Filter	2
02-50000-627	Inline Fuel Filter	2
RE504836	John Deere 4.5 Engine Oil Filter	2
RE522868	John Deere 4.5 Engine Fuel Filter	2
02-86000-005	John Deere 4.5 A/C Belt	1
R123432	JD Fan Belt	1
01-50001-046	Engine Air Cleaner - Outer Filter	2
01-50001-047	Engine Air Cleaner - Inner Filter	2
01-50001-046B	Engine Air Cleaner - Outer Filter (Serial # 807519 & Up)	2
01-50001-047B	Engine Air Cleaner - Inner Filter (Serial # 807519 & Up)	2
01-86000-120	Cab - Air Cleaner Filter	2
01-75000-026	Water System Spray Tips (Brass)	8
01-75000-026B	Water System Spray Tips (Blue Poly Tip)	8
01-75000-025	Water System Spray Nozzle Screen	8
01-75000-034	Water System Strainer Screen	1
01-13000-107	Core Motor Mounting Pin	1
01-50600-001B	Hydraulic Core Motor	1
01-13000-007	Core Drive Hub	2
01-13000-010	Core Idler Shaft Weldment	1
01-50000-035	Core Pillow Block Bearing	2
01-50000-032	Circle Bearing	10
01-78000-000	Poly Wafer Set (Includes Spacers)	1*
01-78000-100	1/2 & 1/2 Wafer Set (Includes Spacers)	1*
01-78000-800	Core - Full Poly - Coreless Tube Brush 96"	1*
01-78000-810	Core - Poly / Wire Combination - Coreless Tube Brush 96"	1*
01-78000-201/96	Poly Tube Core Brush 96"	1*
01-16000-025	Front Wiper Blade	1
01-50000-108	Rubber Rock Guard	1
01-50001-005	Rear Axle Break Shoe Set (4 Shoes) Does Both Sides	1
01-14000-028	Front Axle Break Shoe Set (4 Shoes) Does Both Sides	1
01-16000-009	Door Tether	1
01-16000-010	Door Gas Shock	1
CAB KEY	Door Keys - Lever Action Style Door Handle	1
NEW CAB KEY	Door Keys - Push Button Style Door Handle	1
JD KEY	John Deere Ignition Key	1
01-89000-001K	Replacement Key - For 01-89000-001B	1
01-50600-004M	Hydraulic Charge Filter Element (Spin On) (Serial # 815020 To Present)	2

\* Stock Brush Sets According To Dealer Machine Sales



# Superior Broom

## Recommended Stock List

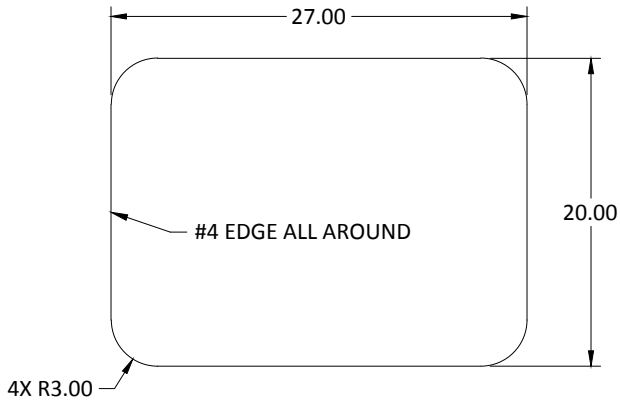
### Kubota

<u>Part No.</u>	<u>Description</u>	<u>Qty.</u>
01-50600-014	Hydraulic Return Filter Element (Tank Filter)	2
01-50600-004	Hydraulic Charge Filter Element (Spin On) (Serial # 815019 & Down)	2
01-50600-017	Hydraulic Breather Filter	2
02-50000-627	Inline Fuel Filter	2
06-50000-402	Kubota Engine Oil Filter	2
06-50000-403	Kubota Engine Fuel Filter	2
06-86000-005	Kubota A/C Belt	1
06-50000-401	Kubota Fan Belt	1
01-50001-046	Engine Air Cleaner - Outer Filter	2
01-50001-047	Engine Air Cleaner - Inner Filter	2
01-50001-046B	Engine Air Cleaner - Outer Filter (Serial # 807519 & Up)	2
01-50001-047B	Engine Air Cleaner - Inner Filter (Serial # 807519 & Up)	2
01-86000-120	Cab - Air Cleaner Filter	2
01-75000-026	Water System Spray Tips (Brass)	8
01-75000-026B	Water System Spray Tips (Blue Poly Tip)	8
01-75000-025	Water System Spray Nozzle Screen	8
01-75000-034	Water System Strainer Screen	1
01-13000-107	Core Motor Mounting Pin	1
01-50600-001B	Hydraulic Core Motor	1
01-13000-007	Core Drive Hub	2
01-13000-010	Core Idler Shaft Weldment	1
01-50000-035	Core Pillow Block Bearing	2
01-50000-032	Circle Bearing	10
01-78000-000	Poly Wafer Set (Includes Spacers)	1*
01-78000-100	1/2 & 1/2 Wafer Set (Includes Spacers)	1*
01-78000-800	Core - Full Poly - Coreless Tube Brush 96"	1*
01-78000-810	Core - Poly / Wire Combination - Coreless Tube Brush 96"	1*
01-78000-201/96	Poly Tube Core Brush 96"	1*
01-16000-025	Front Wiper Blade	1
01-50000-108	Rubber Rock Guard	1
01-50001-005	Rear Axle Break Shoe Set (4 Shoes) Does Both Sides	1
01-14000-028	Front Axle Break Shoe Set (4 Shoes) Does Both Sides	1
01-16000-009	Door Tether	1
01-16000-010	Door Gas Shock	1
CAB KEY	Door Keys - Lever Action Style Door Handle	1
NEW CAB KEY	Door Keys - Push Button Style Door Handle	1
KUBOTA KEY	Kubota Ignition Key	1
01-89000-001K	Replacement Key - For 01-89000-001B	1
01-50600-004M	Hydraulic Charge Filter Element (Spin On) (Serial # 815020 To Present)	2

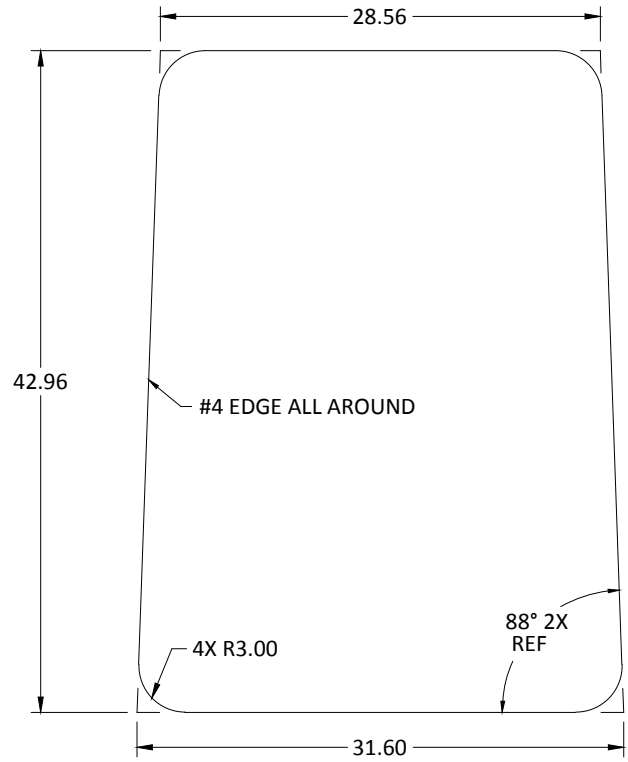
\* Stock Brush Sets According To Dealer Machine Sales

# Tinted Safety Glass

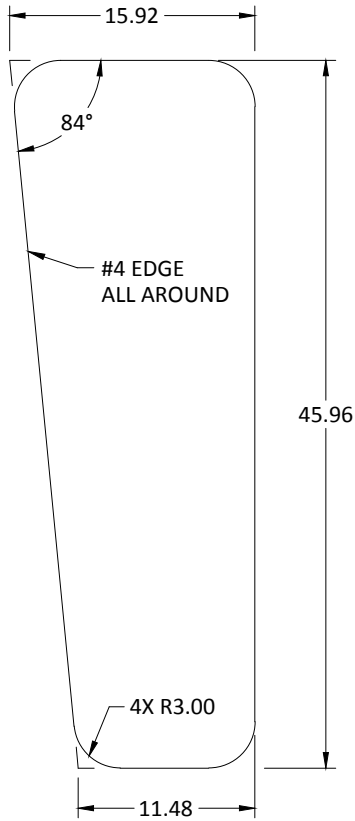
For Replacement Glass -  
Take Information Below To Local Glass Supplier.



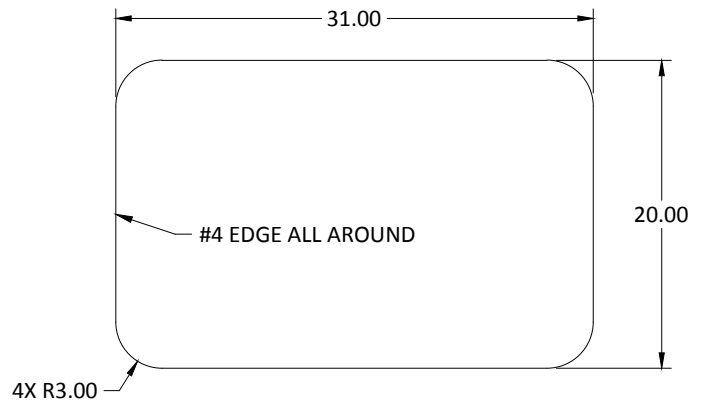
Door & Side Glass  
01-16000-003



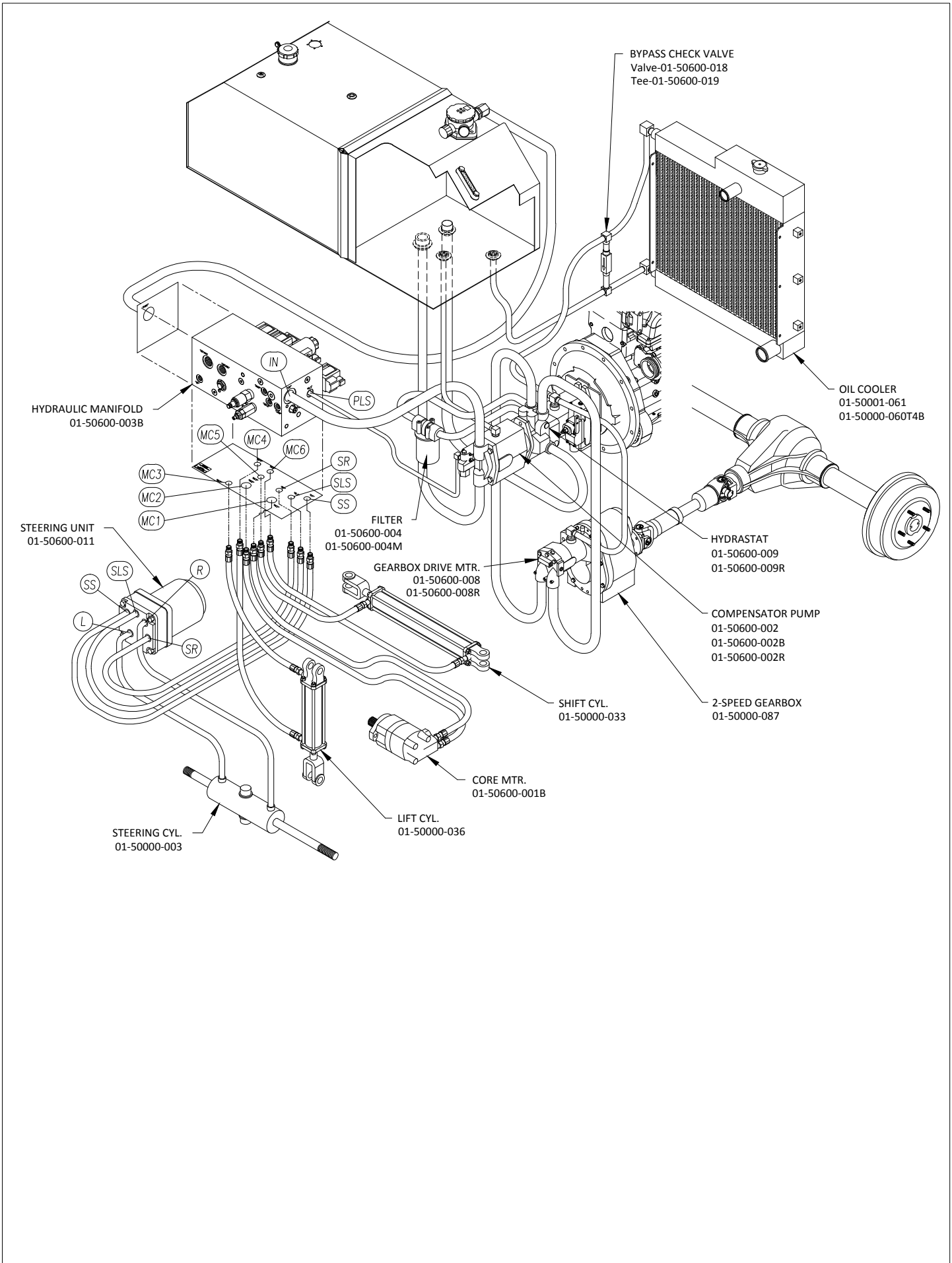
Windshield  
01-16000-004

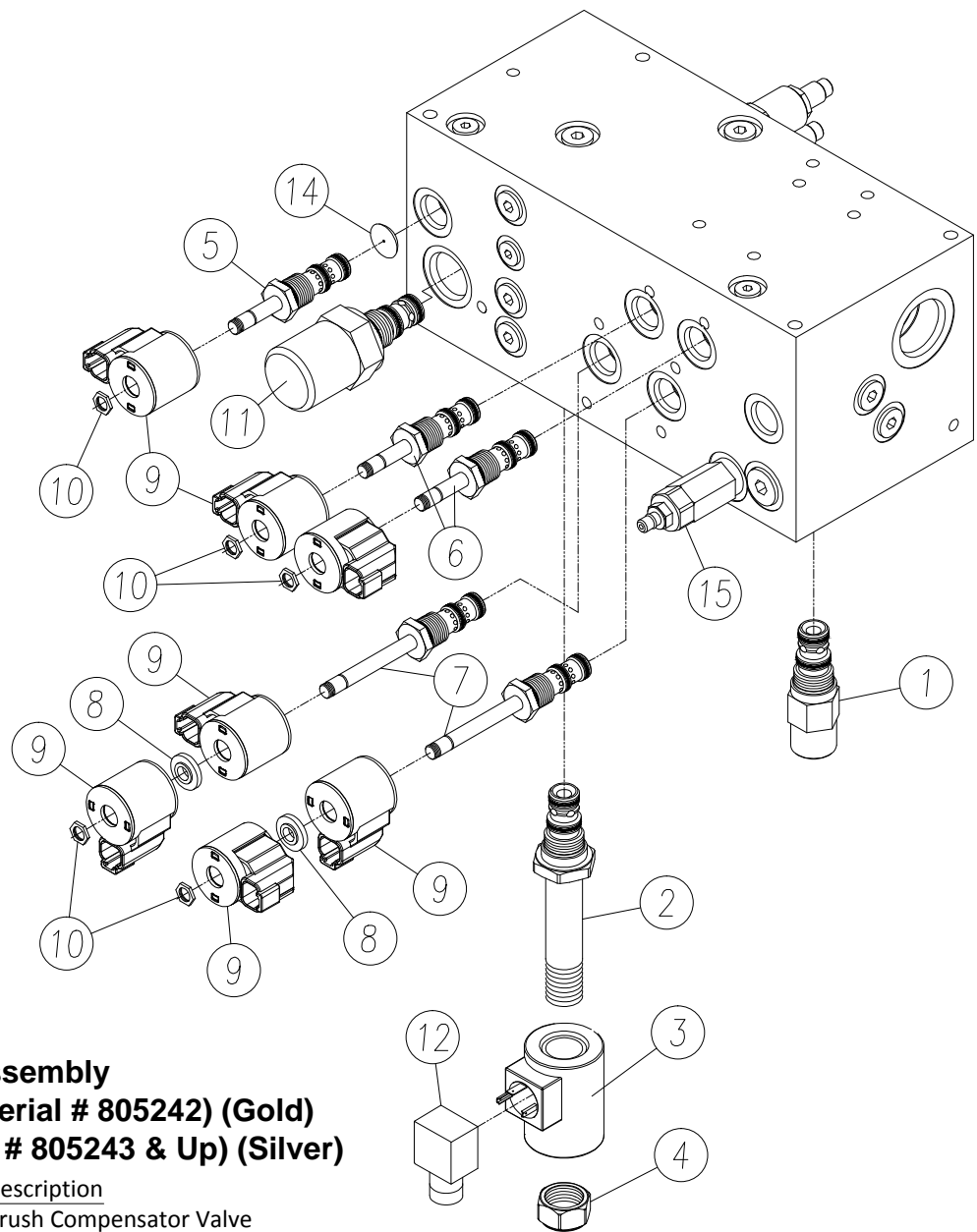


Corner Glass (Left or Right)  
01-16000-005



Rear Glass  
01-16000-006

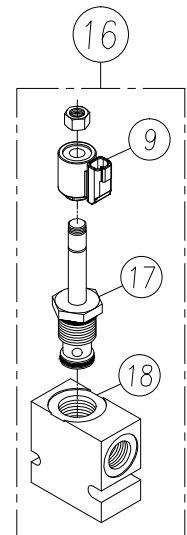




**Hydraulic Manifold Assembly**  
**01-50600-003 (Up to Serial # 805242) (Gold)**  
**01-50600-003B (Serial # 805243 & Up) (Silver)**

Item	Part No.	Description
1	01-50600-050	Brush Compensator Valve
2	01-50600-051	Adjustable Speed Control Valve (Includes Item #4)
3	01-50600-052	Speed Control Coil
4	01-50600-053	Speed Control Coil Retainer Nut w/ "O" Ring
* 5	01-50600-054	Jammer Valve
* 6	01-50600-054F	Float Valve
* 7	01-50600-055	Function Control Valve
8	01-50600-156	Coil Spacer
9	01-50600-057	Function Control Coil
10	01-50600-058	Retainer Nut
11	01-50600-059	Priority Steering Valve
12	01-51000-108	DEN Connector
13	01-50600-062	P.O. Check Valve (Not Shown)
14	01-50600-065	Orifice Disk
15	RV08-20A-NC-33/30	Brush Lift Cylinder Relief Valve
16	01-29600-003	Parking Brake Safety Valve Assembly
17	01-29600-002	Park Brake Valve
18	01-29600-001	Valve Body

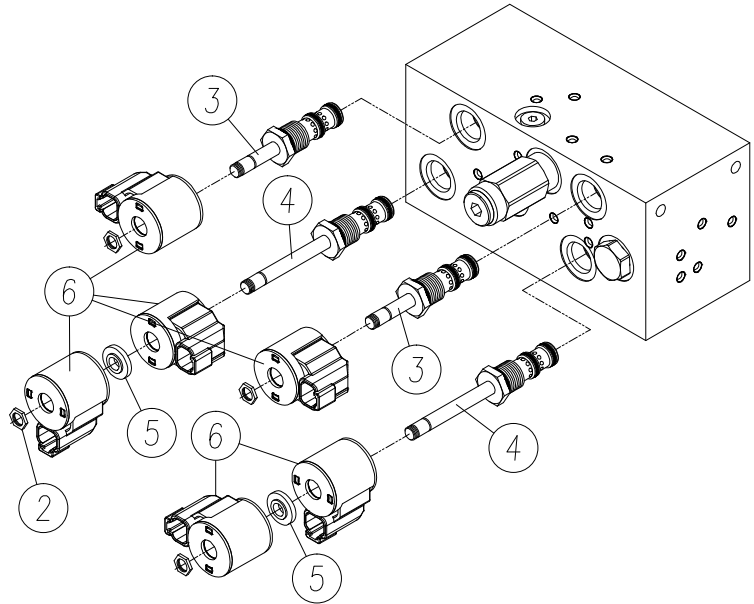
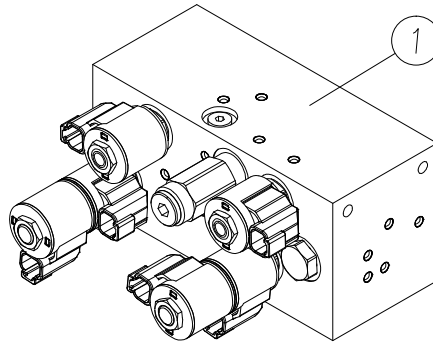
\* - Includes Part # 01-50600-058 Retainer Nut



## Scraper Blade Hydraulic Manifold Assembly

Item	Part No.	Description
1	01-15200-001	Scraper Blade Hydraulic Manifold Assy.
2	01-50600-058	Retainer Nut
* 3	01-50600-054F	Float Valve
* 4	01-50600-055	Function Control Valve
5	01-50600-156	Coil Spacer
6	01-50600-057	Function Control Coil

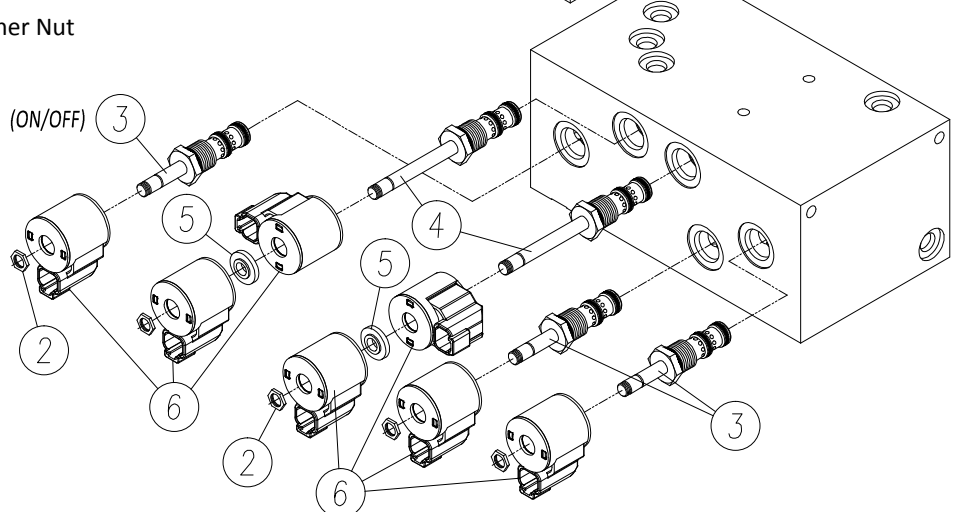
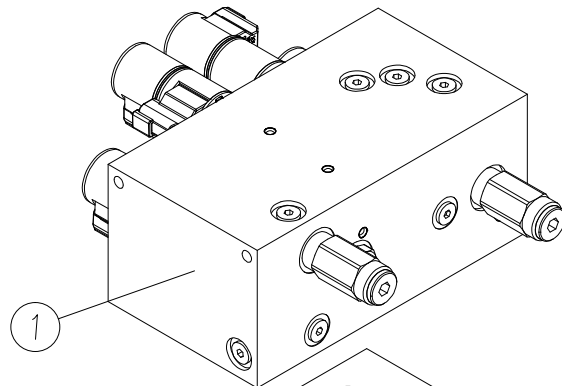
\* - Includes Part # 01-50600-058 Retainer Nut



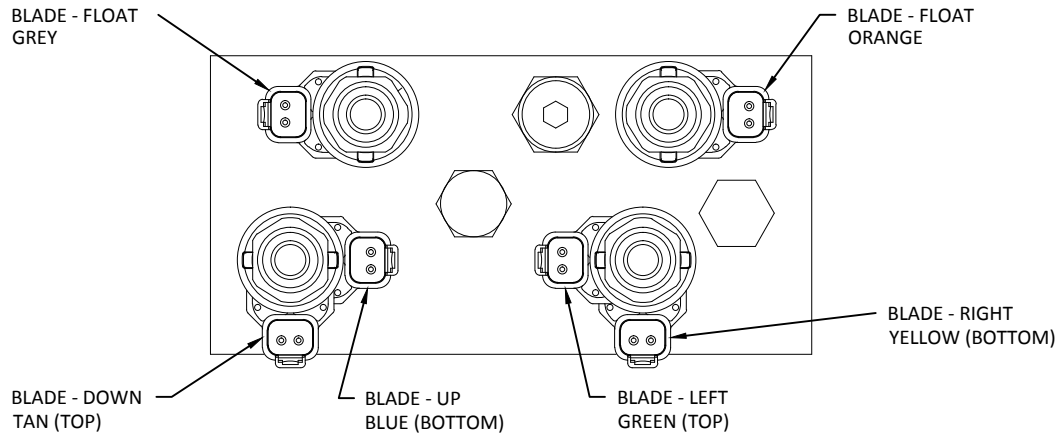
## Gutter Brush Hydraulic Manifold Assembly

Item	Part No.	Description
1	01-21600-001	Gutter Brush Hydraulic Manifold Assy.
2	01-50600-058	Retainer Nut
* 3	01-50600-054F	Float Valve
* 4	01-50600-055	Function Control Valve
5	01-50600-156	Coil Spacer
6	01-50600-057	Function Control Coil

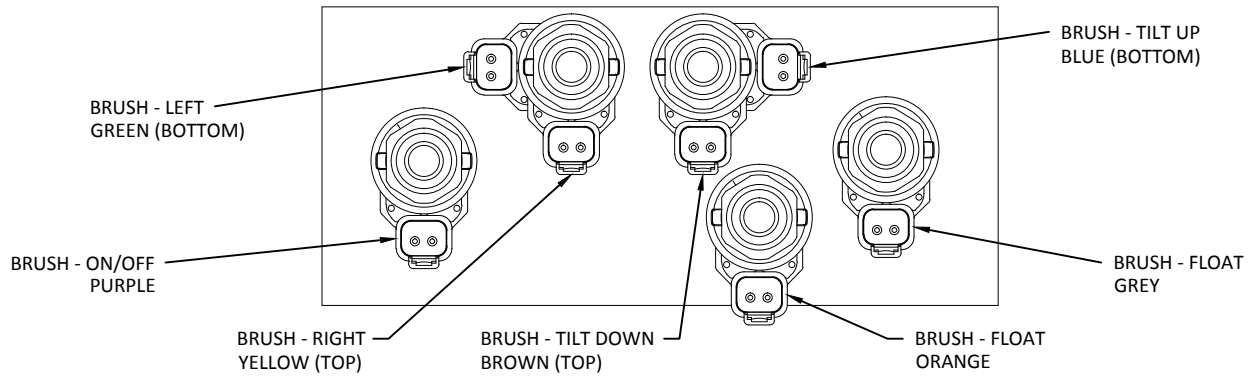
\* - Includes Part # 01-50600-058 Retainer Nut



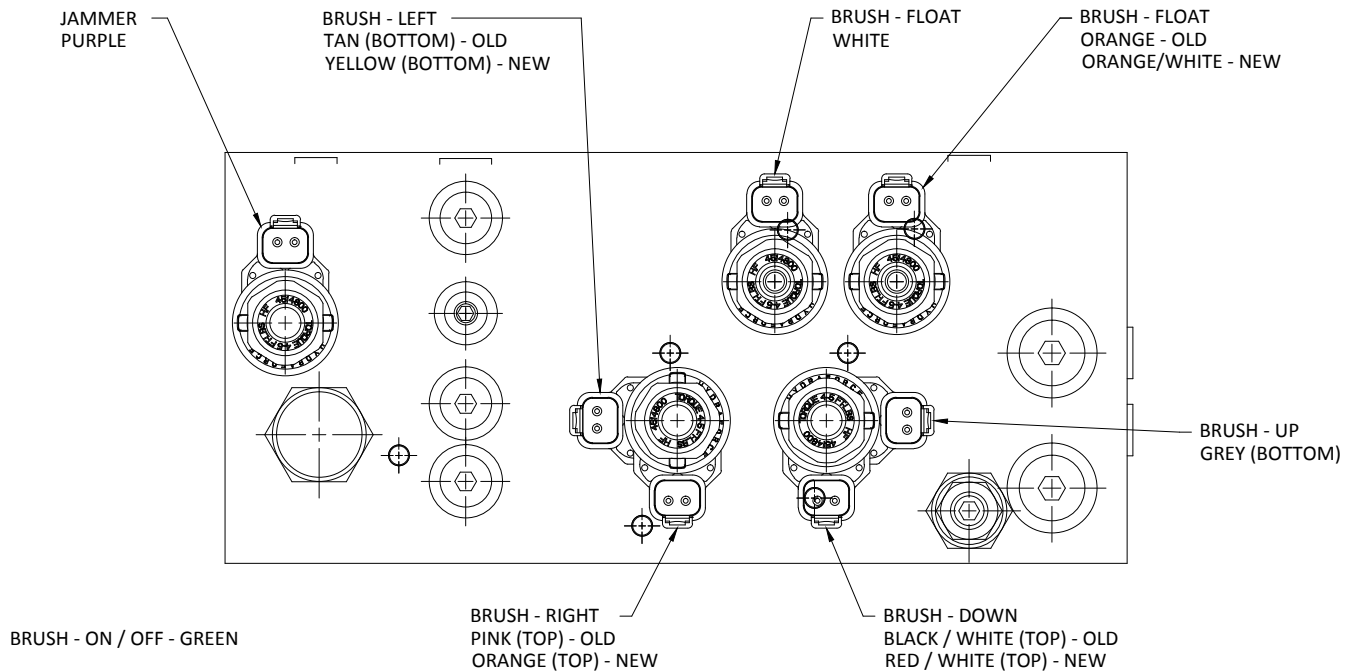
### SCRAPER BLADE - HYDRAULIC MANIFOLD

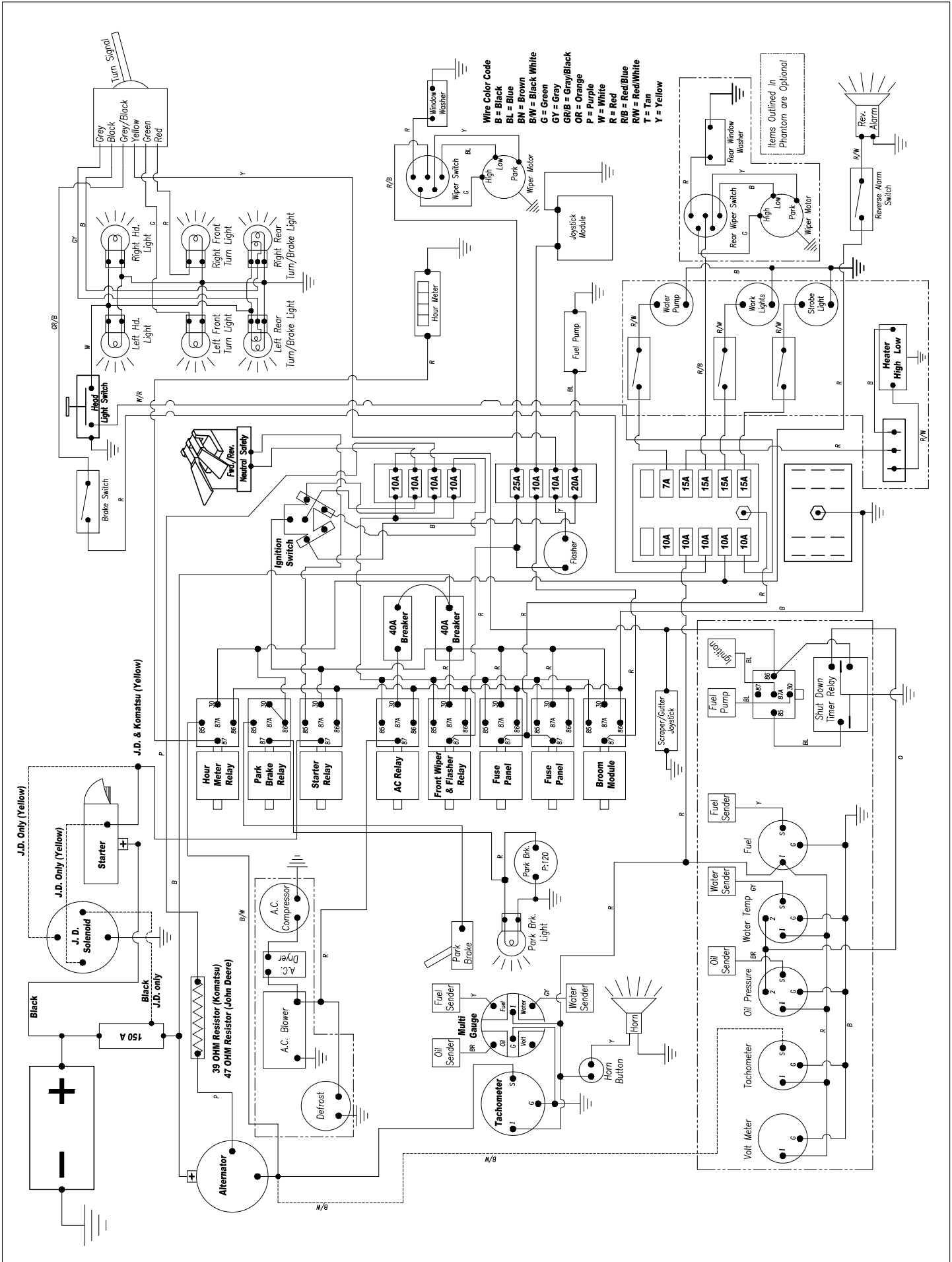


### GUTTER BRUSH - HYDRAULIC MANIFOLD



### BRUSH - HYDRAULIC MANIFOLD









**Service intervals** - Refer to the engine owners manual for the recommended service intervals.

Lubrication and Maintenance Service Intervals								
Procedure	Service Item / Area	Daily	First 25 Hours	Break in Period (150 Hrs)	250 Hour/6-Months	500 Hour/12-Months	2000 Hour/24-Months	As Required
		<b>Check</b>	Engine Oil and Coolant level	x				
	Hydraulic Oil level	x						
	Fuel Filter/Water Separator Bowl	x						
	Air Cleaner Dust Unloader Valve & Indicator	x						
	Fluid Level in Two-Speed Gearbox		x					
	Engine Mounts				x			
	Manual Belt Tensioner and Belt Wear				x			
	Brake Pads for Wear					x		
	Air Intake Hoses, Connections, & System					x		
	Automatic Belt Tensioner and Belt Wear					x		
	Engine Electrical Ground Connection					x		
	Cooling System					x		
	* Crankshaft Vibration Damper (6.8 L Eng.)						x	
	Check and Adjust Engine Valve Clearance						x	
	Check any fluid leaks	x						
	Check Brake Master Cylinder Fluid Level	x						
<b>Change</b>	Two-Speed Gearbox Oil (#1)			x				
	Engine Oil and Replace Oil Filter			x	x			
	Hydraulic Oil and Replace Filter					x		
	Hydraulic Oil Filter			x				
	Fuel Filter			x				
<b>Lubricate</b>	Front Axle Assembly (10 Lube Points)				x			
	Drive Shaft (3 Lube Points)				x			
	Repack Wheel Bearings						x	
<b>Service</b>	Service Fire Extinguisher					x		
	Service Battery					x		
<b>Clean</b>	Clean Crankcase Vent Tube				x			
	Flush Cooling System						x	
<b>Replace</b>	Replace Fuel Filter Element					x		
	Replace Air Cleaner Elements							x
	Replace Fan Belt							x
<b>Test</b>	Coolant Solution Analysis - Add or Replace					x		
	Pressure Test Cooling System					x		
	Test Thermostats						x	
	Add Coolant							x
<b>Inspect</b>	Perform Visual Walkaround Inspection				x			
	Front Axle Pivot Bushings					x		

**Important:** recommended service intervals are for normal operating conditions. Service more often if engine is operated under adverse conditions. Neglecting maintenance can result in failures or permanent damage to the engine.

Engine Oil:  
Refer to the engine owners manual.

Hydraulic Oil:  
Conoco Megaflo AW46

Gearbox Oil:  
Conoco Universal Gear Oil 85W-140

Antifreeze:  
Mach 4 Global Premix 50/50 AF1/55

Boxes that are shaded, are engine service areas

1. Change two-speed gearbox oil every 200 hours after initial 100 hour oil change.

(\*) Applies to John Deere engine only