

## Specifications:

**Superior  
Broom**

**Superior  
Broom**

### ENGINE:

**John Deere** diesel - Model 4045 TF  
276 cubic inches (4.5 liter) 74 HP, Tier 4  
at 2500 RPM w/95 amp alternator

**Cummins** diesel - Model B3.3T  
199 cubic inch (3.3 liter) 74 HP, tier 4  
at 2500 RPM w/120 amp alternator

### DIMENSIONS:

**Weight** - 5,300 lbs. standard unit (w/canopy)  
**Height** - 103 inches ( w/canopy)  
**Length** - 172 inches  
**Width** - 96 inches (transport)  
**Wheelbase** - 133 inches  
**Turning Radius** - 13 feet (inside)

### CHASSIS:

Welded 6" channel w/gussets at all stress points. Certified roll over protection (ROPS) structure meets and exceeds all Federal Standards

### STEERING:

Orbital; hydraulic power steering

### HYDRAULIC TANK:

27 gallon capacity

### FUEL TANK:

37 gallon capacity

### COOLING SYSTEM:

Heavy duty vertically mounted radiator and oil cooler w/8,000 cfm suction fan

### FRONT AXLE:

Heavy-duty truck type (full oscillating)

### REAR AXLE:

3/4 Ton-heavy duty semi-float differential w/spring suspension system.

### WHEELS:

Four - 6 bolt (15" x 6") steel spoke

### TIRES:

Four radial ST225/75 R15 load range D

### BRAKES:

Four wheel hydraulic w/dual master cylinder and mechanical parking brake.

### TRANSMISSION:

Infinitely variable hydrostatic pump and motor driving a differential rear axle through a 2-speed gearbox.  
Low range: 0 - 12 mph  
High range: 0 - 34 mph

### HYDRAULIC SYSTEM:

Load compensated pump  
28 GPM w/2,500 PSI operating pressure  
10 micron high pressure suction filter

### BRUSH CORE:

8 foot all welded tubular construction  
Direct drive motor enclosed in core (200 RPM)  
Sweeping width: 96 inches  
10" x 32" Prostran wafer type brush filler

### SWEEPING ANGEL:

45 degrees (left and/or right)  
Circle swing frame mounted on 10 heavy-duty sealed, tapered bearings with debris guards.

### BRUSH COVER:

12 gauge steel, 140 degree full brush length with end plate covers and full length rock deflector

### BROOM CONTROLS:

Electronic joystick control for brush on-off with trigger for float, push buttons for broom on-off and speed control. Broom lift, adjustable down pressure and swing right to left through joystick movement.

### CONTROLS & ACCESSORIES:

Padded seat with arm rests and seat belts, dual element air cleaner & precleaner, 12 volt ignition system. 950 CCA battery and back-up alarm. Gauges include tachometer, hour meter, water temp, oil pressure, fuel and volt meter.

**SB Manufacturing Inc.**

3707 W. McCormick  
Wichita, KS 67213  
Ph: 316.941.9591  
Fax: 316.942.5672

Sold & Serviced By:

## Optional Equipment:

Enclosed Cab	Engine PreCleaner	Curb & Gutter Brush
Air Conditioning	Extension air Stack	Suspension Seat
Heat & Defroster	170 Gallon Water System	Tow Bar
West coast Mirrors	7 1/2' Scraper blade	Block Heater
Light Group	Tilt & Telescopic Steering	Ether Start Kit
Strobe Light	Spare Tire	Audible Engine Alarm
Brush Side Shift	Front Fenders	Emergency Brake Safety System

[www.superiorbroom.com](http://www.superiorbroom.com)



SM80J SM80CT



*"Superior Quality  
& Performance!"*



CAB VISIBILITY



RADIATOR-OIL COOLER



ENGINE ACCESS



ROCK DEFLECTOR

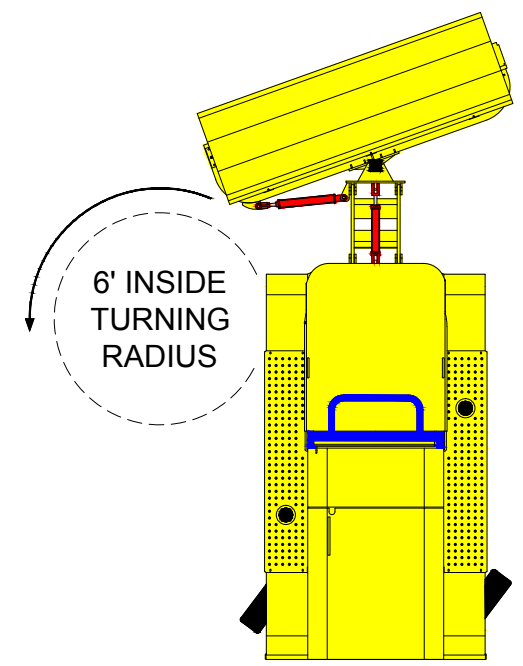


CONTROLS



FOOT CONTROLS

TURNING RADIUS



SIDE SHIFT



BRUSH CHANGE

