



# SM80 Parts Manual 2016



**Superior Broom  
3707 W. McCormick  
Wichita, KS 67213**

**Phone: (316) 941-9591  
Toll Free: (888) 341-8707  
Fax: (316) 942-5672**

**parts@sbmfg.com  
www.superiorbroom.com**

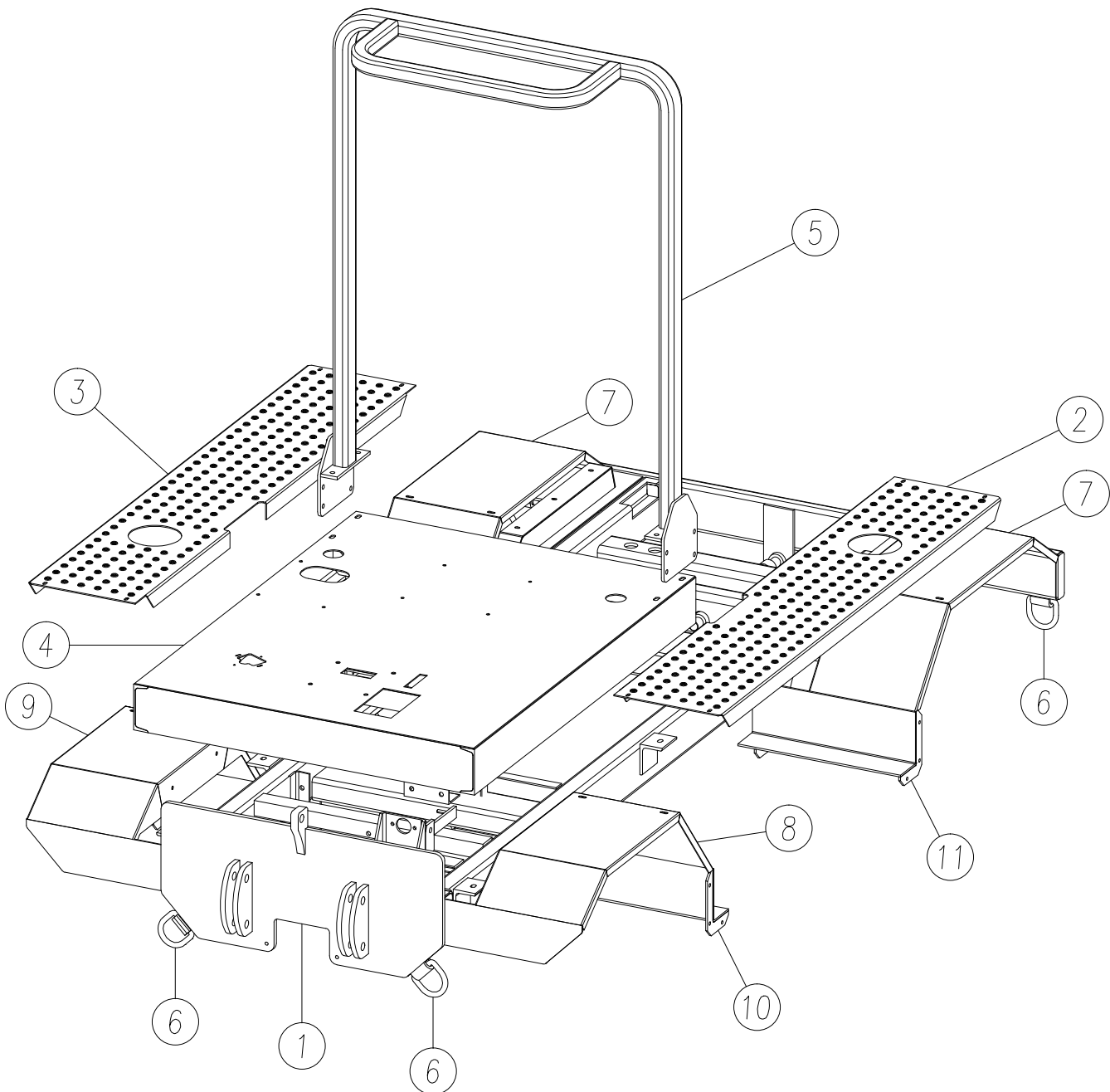
July 2016

M-F 8 a.m. - 5 p.m. CST

*Courtesy of Machine.Market*

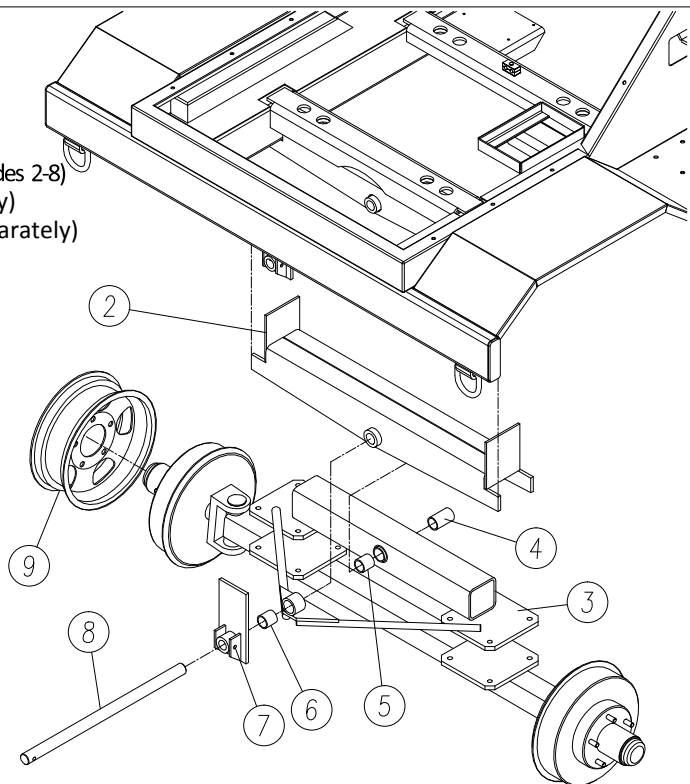
## Main Frame Weldment, Roll Over Bar, Cab Platform

| Item | Part No.      | Description                                       |
|------|---------------|---|
| 1    | 11-10000-100  | Frame Complete With Fenders (Order By Serial No.) |
| 2    | 11-30000-450L | Left Side Walkway                                 |
| 3    | 11-30000-450R | Right Side Walkway                                |
| 4    | 11-12000-001  | Cab Platform (Less Cab)                           |
| 5    | 01-16000-002  | Roll Over Bar Weldment                            |
| 6    | 01-50000-069  | "D" Ring  |
| 7    | 11-30000-136  | Rear Fender                                       |
| 8    | 11-30000-138L | Front Fender - Left                               |
| 9    | 11-30000-138R | Front Fender -Right                               |
| 10   | 11-30000-139  | Water Tank Support - Left Front / Right Rear      |
| 11   | 11-30000-140  | Water Tank Support - Right Front / Left Rear      |



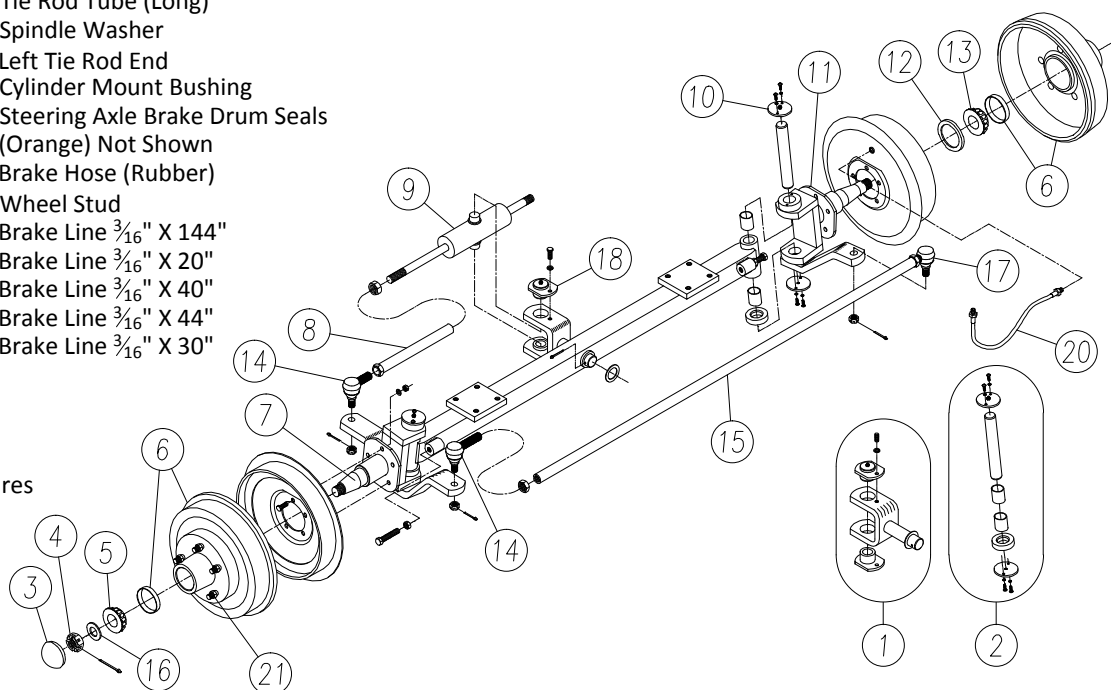
## Bolster Assembly 11-14000-400

| Item | Part No.     | Description   |
|------|--------------|---|
| 1    | 11-14000-400 | Bolster A-Frame Assembly (w/Brgs. & Shaft) (Includes 2-8) |
| 2    | 01-14000-002 | Bolster Frame Mount (Not Sold Separately)                 |
| 3    | 01-14000-007 | Bolster A-Frame Weldment (Not Sold Separately)            |
| 4    | 01-14000-107 | Oil Lite Bearing 1.5" O.D. X 2.5" Lg.                     |
| 5    | 01-14000-014 | Oil Lite Bearing 1.5" O.D. X 2" Lg.                       |
| 6    | 01-14000-016 | Oil Lite Bearing 1.5" O.D. X 1.5" Lg.                     |
| 7    | 01-14000-017 | Bolster Nose Bearing Mount                                |
| 8    | 01-14000-121 | Bolster Pivot Shaft                                       |
| 9    | 01-5000-107B | 15" X 6-Bolt Wheel (Without Tire)                         |
|      | 01-50000-119 | 15" X 6-Bolt Wheel w/ 235/75/R15 Tire                     |
|      | 01-50000-117 | 15" X 6-Bolt Wheel w/ 225/75/R15 Tire                     |
| 10   | 01-50000-106 | Lug Nut (Not Shown)                                       |



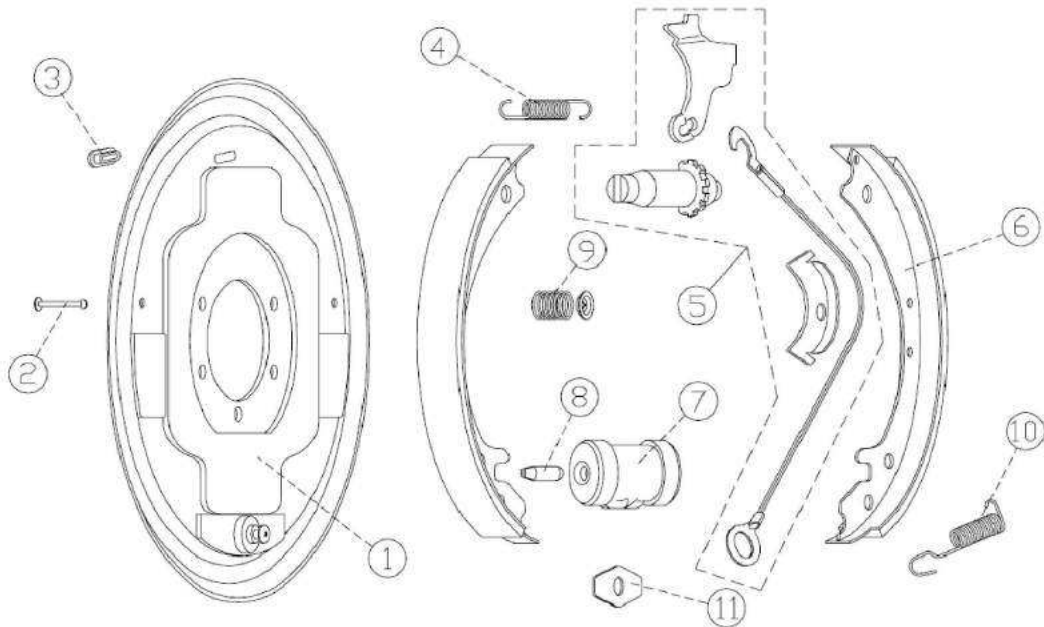
## Steering Axle Assembly

| Item | Part No.      | Description  |
|------|---------------|--|
| 1    | 01-14100-001  | Cylinder Mount Assembly  |
| 2    | 01-14100-002  | King Pin Kit - Does Both Sides                                     |
|      | 01-14100-002B | King Pin Kit - One Side Only                                       |
| 3    | 01-14100-003  | Grease Cap   |
| 4    | 01-14100-004  | Castle Nut w/ Cotter Pin   |
| 5    | 01-14100-005  | Outer Bearing - Bearing Only                                       |
| 6    | 01-14100-006B | Hub & Drum Assembly (6 Bolt) - Includes Race & Studs               |
| 7    | 01-14100-007  | Knuckle w/ Spindle - Right   |
| 8    | 01-14100-008  | Cylinder Tie Rod Tube (Short)                                      |
| 9    | 01-50000-003  | Steering Cylinder  |
|      | SK-ACAK2Q1Q   | Seal Kit - Steering Cylinder (Not Shown)                           |
| 10   | 01-14100-009  | King Pin Cap - Included in 01-14100-002/002B (Not Sold Separately) |
| 11   | 01-14100-010  | Knuckle w/ Spindle - Left  |
| 12   | 01-14100-011  | Inner Seal   |
| 13   | 01-14100-012  | Inner Bearing - Bearing Only                                       |
| 14   | 01-14100-013  | Right Tie Rod End  |
| 15   | 01-14100-014  | Tie Rod Tube (Long)  |
| 16   | 01-14100-015  | Spindle Washer   |
| 17   | 01-14100-016  | Left Tie Rod End   |
| 18   | 01-14100-017  | Cylinder Mount Bushing   |
| 19   | 01-50000-002  | Steering Axle Brake Drum Seals (Orange) Not Shown                  |
| 20   | 01-50000-013  | Brake Hose (Rubber)  |
| 21   | 35491-FB      | Wheel Stud   |
| 22   | 01-50000-014  | Brake Line $\frac{3}{16}$ " X 144"                                 |
| 23   | 01-50000-016  | Brake Line $\frac{3}{16}$ " X 20"                                  |
| 24   | 01-50000-017  | Brake Line $\frac{3}{16}$ " X 40"                                  |
| 25   | 01-50000-018  | Brake Line $\frac{3}{16}$ " X 44"                                  |
| 26   | 11-50000-017  | Brake Line $\frac{3}{16}$ " X 30"                                  |



When ordering Tie Rod Ends, the front axle requires (1) Left & (2) Right's.

For Axle Assembly Order Part # 11-50000-001B, Steering Cylinder & Brake Lines Sold Separately



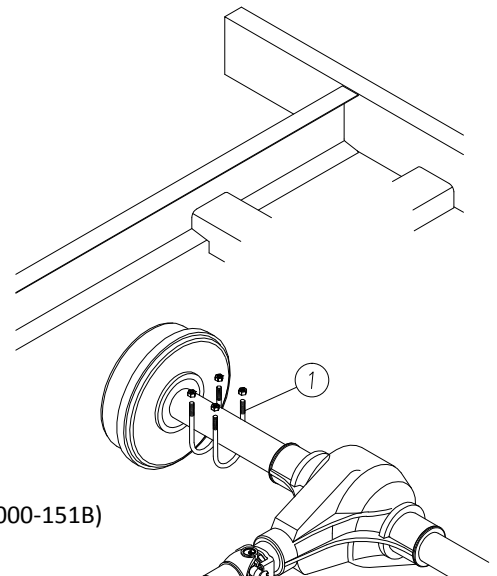
### Rear Brake Assembly

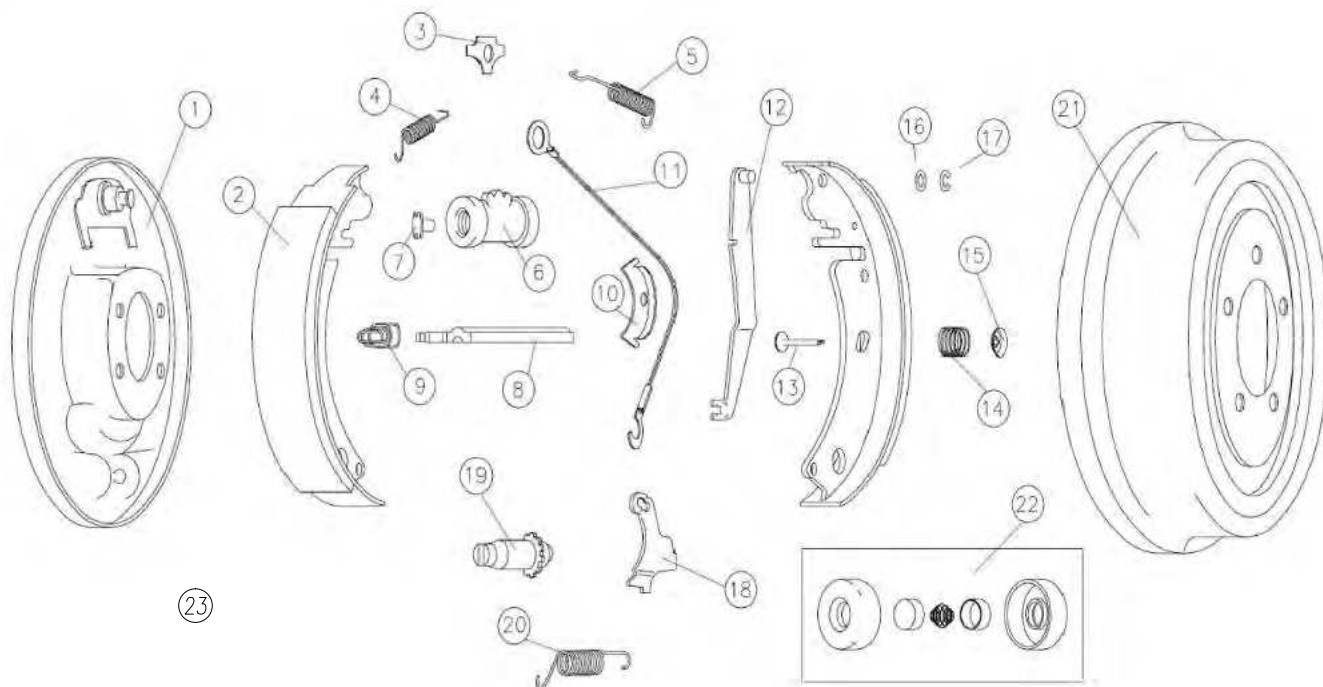
| Item | Part No.      | Description                                 | Qty. |
|------|---------------|---|------|
| 1    | 01-14000-020L | Backing Plate Assembly (Right)              | 1    |
|      | 01-14000-020R | Backing Plate Assembly (Left)               | 1    |
| 2    | 01-14000-021  | Pin   | 2    |
| 3    | 01-14000-022  | Cover                                       | 1    |
| 4    | 01-14000-023  | Spring                                      | 1    |
| 5    | 01-14000-024L | Front Brake Adjusting Kit (Right)           | 1    |
|      | 01-14000-024R | Front Brake Adjusting Kit (Left)            | 1    |
| 6    | 01-14000-028  | Shoe Set (Includes 4 Shoes) Does Both Sides | 1    |
| 7    | 01-14000-026L | Wheel Cylinder (Right)                      | 1    |
|      | 01-14000-026R | Wheel Cylinder (Left)                       | 1    |
| 8    | 01-14000-027  | Push Rod                                    | 2    |
| 9    | 01-14000-025  | Hold Down Spring w/Cap                      | 2    |
| 10   | 01-14000-029  | Return Spring                               | 2    |
| 11   | 01-14000-030  | Anchor                                      | 1    |

Wheel Cylinder Repair Kit Is Not Available For The Rear Brake Assembly.

### Front Axle

| Item | Part No.      | Description   |
|------|---------------|---|
| 1    | 01-50000-010  | "U" Bolt & Nuts (2 Per side)                                      |
|      | 01-50000-010C | "U" Bolt & Nuts (2 Per Side) Fine Thread (For Axle 01-50000-151B) |





## Front Brake Assembly

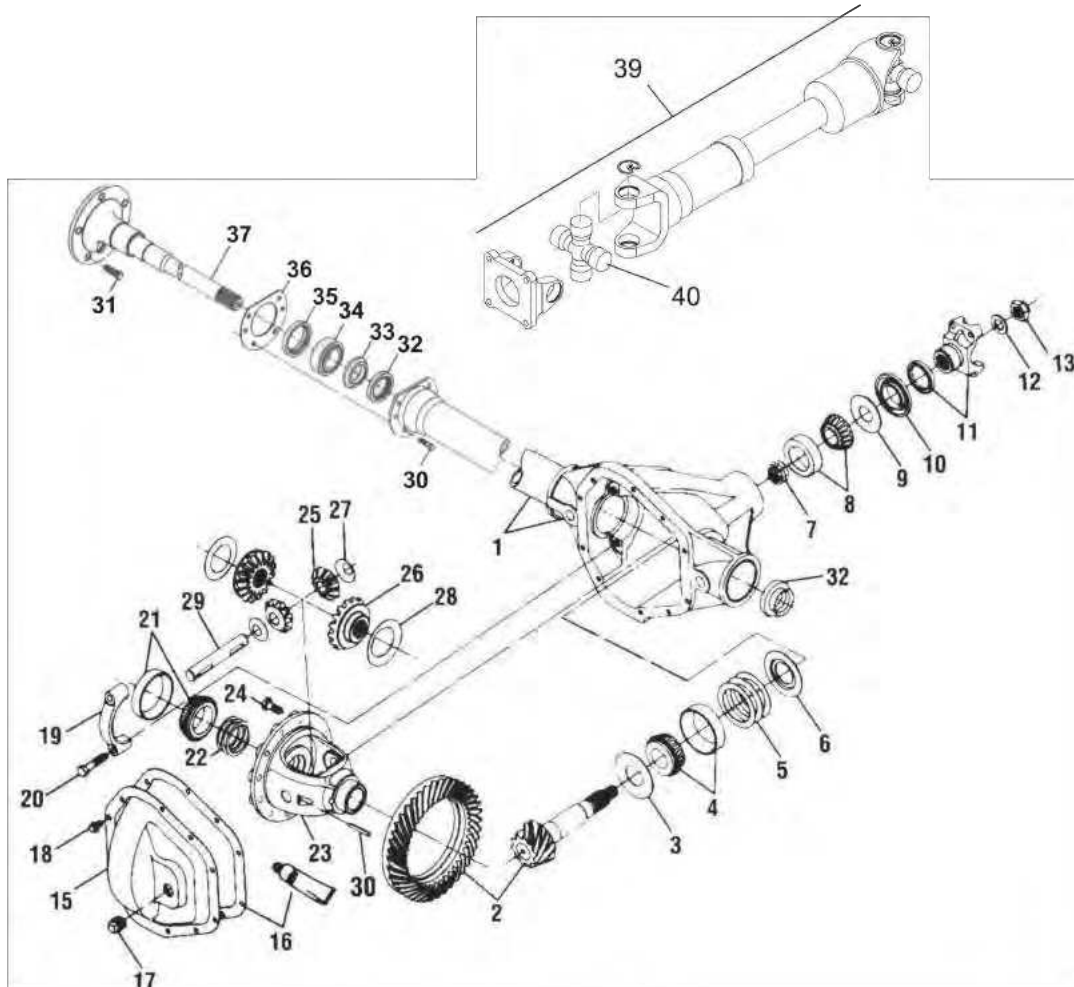
| Item | Part No.          | Description                               | Qty. |
|------|-------------------|---|------|
| 1    | 01-50001-004L     | Backing Plate Assembly (Right)            | 1    |
|      | 01-50001-004R     | Backing Plate Assembly (Left)             | 1    |
| 2    | 01-50001-005      | Shoe Set (4 Shoes) - Does Both Sides      | 1    |
| 3    | 01-50001-006      | Anchor                                    | 1    |
| 4    | 01-50001-007      | Return Spring (Rear)                      | 1    |
| 5    | 01-50001-008      | Return Spring (Front)                     | 1    |
| 6    | 01-50001-009L     | Wheel Cylinder (Right)                    | 1    |
|      | 01-50001-009R     | Wheel Cylinder (Left)                     | 1    |
| 7    | 01-50001-010      | Push Rod                                  | 2    |
| 8    | 01-50001-011      | Strut                                     | 1    |
| 9    | 01-50001-012      | Spring                                    | 1    |
| 10   | 01-50001-013      | Guide                                     | 1    |
| 11   | 01-50001-014      | Cable                                     | 1    |
| 12   | 01-50001-015L     | Parking Brake Lever (Right)               | 1    |
|      | 01-50001-015R     | Parking Brake Lever (Left)                | 1    |
| 13   | 01-50001-016      | Pin, Shoe Hold Down                       | 2    |
| 14   | 01-50001-017      | Hold Down Spring                          | 2    |
| 15   | 01-50001-018      | Cup, Hold Down                            | 2    |
| 16   | 01-50001-019      | Spacer                                    | 1    |
| 17   | 01-50001-020      | Retainer                                  | 1    |
| 18   | 01-50001-021L     | Adjusting Lever (Right)                   | 1    |
|      | 01-50001-021R     | Adjusting Lever (Left)                    | 1    |
| 19   | 01-50001-022L     | Adjusting Screw Assembly (Right)          | 1    |
|      | 01-50001-022R     | Adjusting Screw Assembly (Left)           | 1    |
| 20   | 01-50001-023      | Spring                                    | 1    |
| 21   | 01-50001-024B     | Brake Drum (6-Bolt) Dana Axle             | 1    |
|      | 01-50001-024C     | Brake Drum (6-Bolt) Currie Axle           | 1    |
| 22   | 01-50001-025      | Wheel Cylinder Repair Kit                 | A/R  |
| 23   | SB-BHDWR (L or R) | Brake Hardware Kit, Specify Left or Right | 2    |

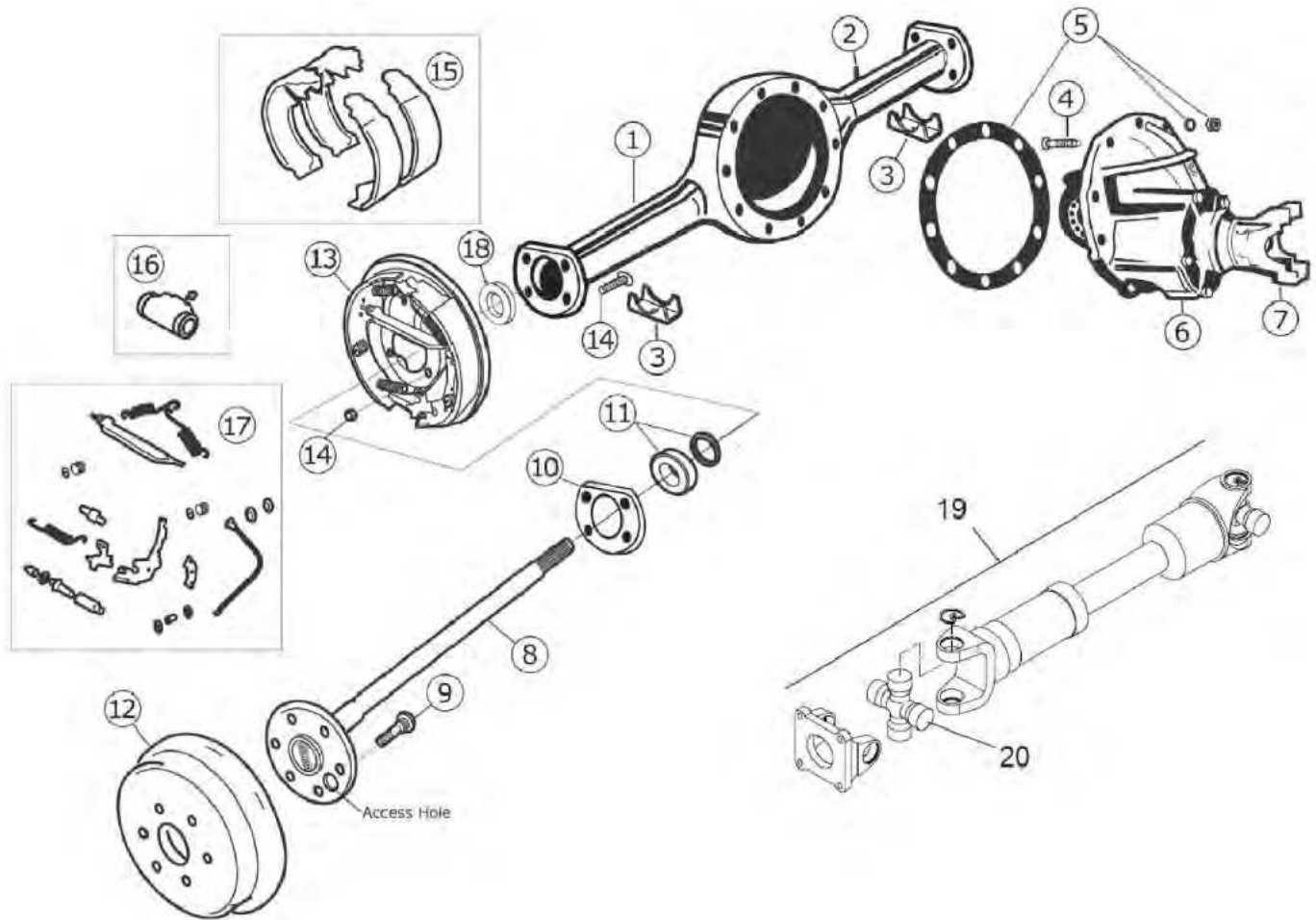
# Drive Axle Assembly

## 01-50000-151 Drive Axle Assembly (Serial # 907001 Thru 911056)

| Item | Part no.       | Description                       |
|------|----------------|-----------------------------------|
| 1    | *              | Axle Housing                      |
| 2    | *              | Gear & Pinion Set                 |
| 3    | *              | Slinger - Pinion Bearing, Inner   |
| 4    | 706046X        | Kit Inner Pinion Bearing          |
| 5    | *              | Shim - Pinion Adjusting           |
| 6    | *              | Baffle -Pinion Bearing            |
| 7    | *              | Shim- Pinion Bearing Adjusting    |
| 8    | 706045X        | Kit Outer Pinion Bearing          |
| 9    | *              | Slinger - Pinion Bearing, Outer   |
| 10   | 42449          | Pinion Seal                       |
| 11   | *              | End Yoke Assembly                 |
| 12   | 30275          | Washer -Pinion Nut                |
| 13   | 30271          | Pinion Nut                        |
| 14   | *              | Companion Flange Assembly         |
| 15   | *              | Cover -Carrier                    |
| 16   | *              | Cover Gasket & RTV Sealant        |
| 17   | 43180          | Plug-Cover                        |
| 18   | 34822          | Bolt - Carrier Cover              |
| 19   | *              | Cap - Differential Bearing        |
| 20   | 500400-20      | Bolt - Differential Brg. Cap      |
| 21   | 706047X        | Differential Bearing Kit          |
| 22   | *              | Shim - Differential Bearing       |
| 23   | *              | Differential Case                 |
| 24   | 40638          | Bolt - Drive Gear                 |
| 25   | *              | Pinion - Differential             |
| 26   | *              | Differential Gear                 |
| 27   | *              | Thrustwasher -Differential Pinion |
| 28   | *              | Thrust Washer - Differential Gear |
| 29   | *              | Differential Shaft                |
| 30   | 44810          | Lock - Differential Shaft         |
| 31   | 35491          | Bolt-Wheel                        |
| 32   | 34419          | Seal-Shaft Inboard                |
| 33   | 36797          | Retaining Ring -Wheel Brg.        |
| 34   | 565903         | Bearing Assembly                  |
| 35   | 35239          | Seal-Shaft Outboard               |
| 36   | 35490          | Retainer -Oil Seal                |
| 37   | 26726A         | Axle Shaft - 6-bolt Flange        |
| 39   | 01-50000-012   | Drive Shaft Assy (complete)       |
| 40   | 01-50000-013UJ | U-Joint (2 req'd)                 |

\* Part Not Serviced Individually  
Contact Superior Broom For Service Kits

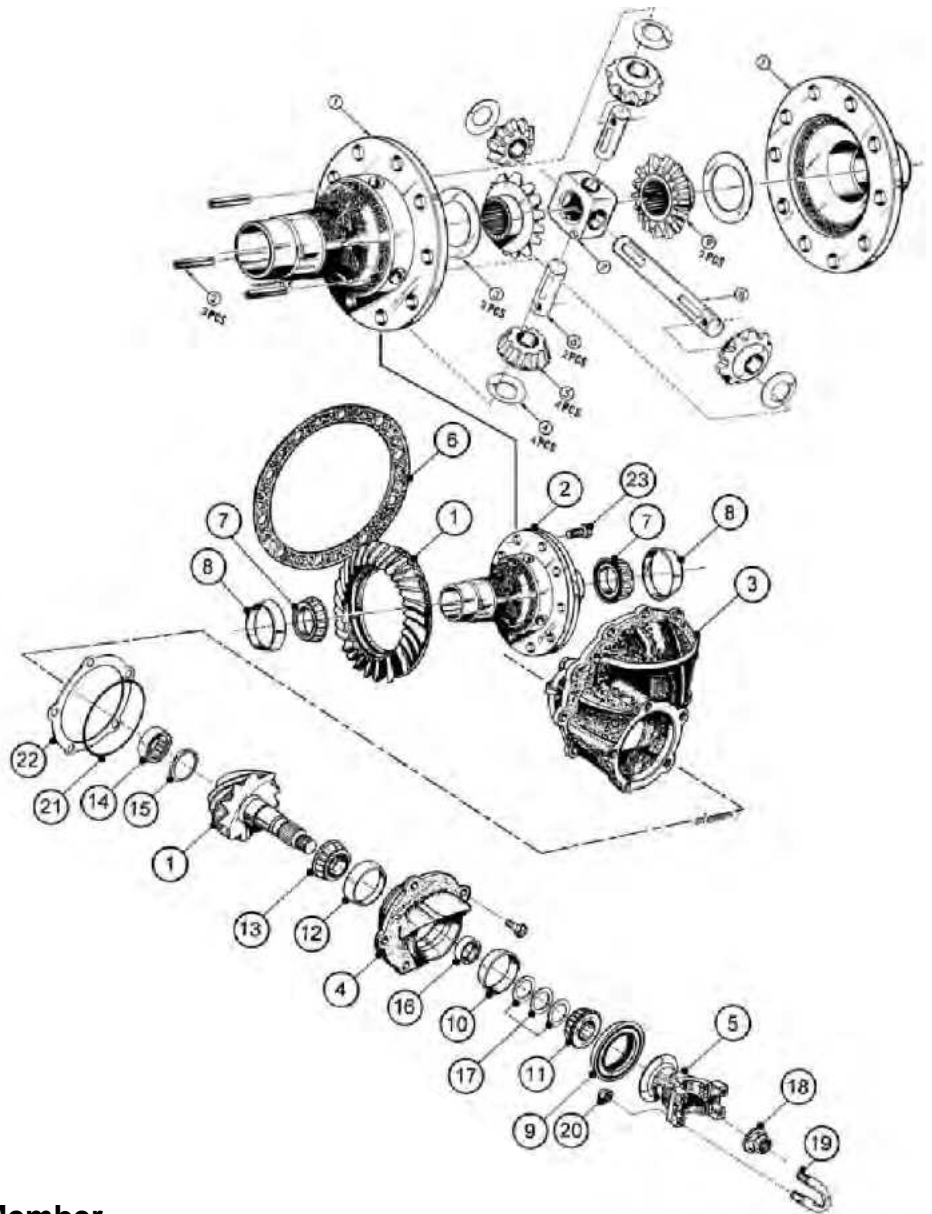




**Drive Axle 11-50000-151B (Serial # 914207 To Present) 4.3 Gear Ratio**  
 (Used w/ Two Speed Bear Box 01-50800-087 & Two Speed Gear Box Motor 11-50800-008-15)

**Drive Axle 01-50000-151B (Serial # 911057 Thru 914206) 5.43 Gear Ratio**  
 (Used w/ Single Speed Gear Box 11-50800-087 & Two Speed Gear Box Motor 11-50800-008)

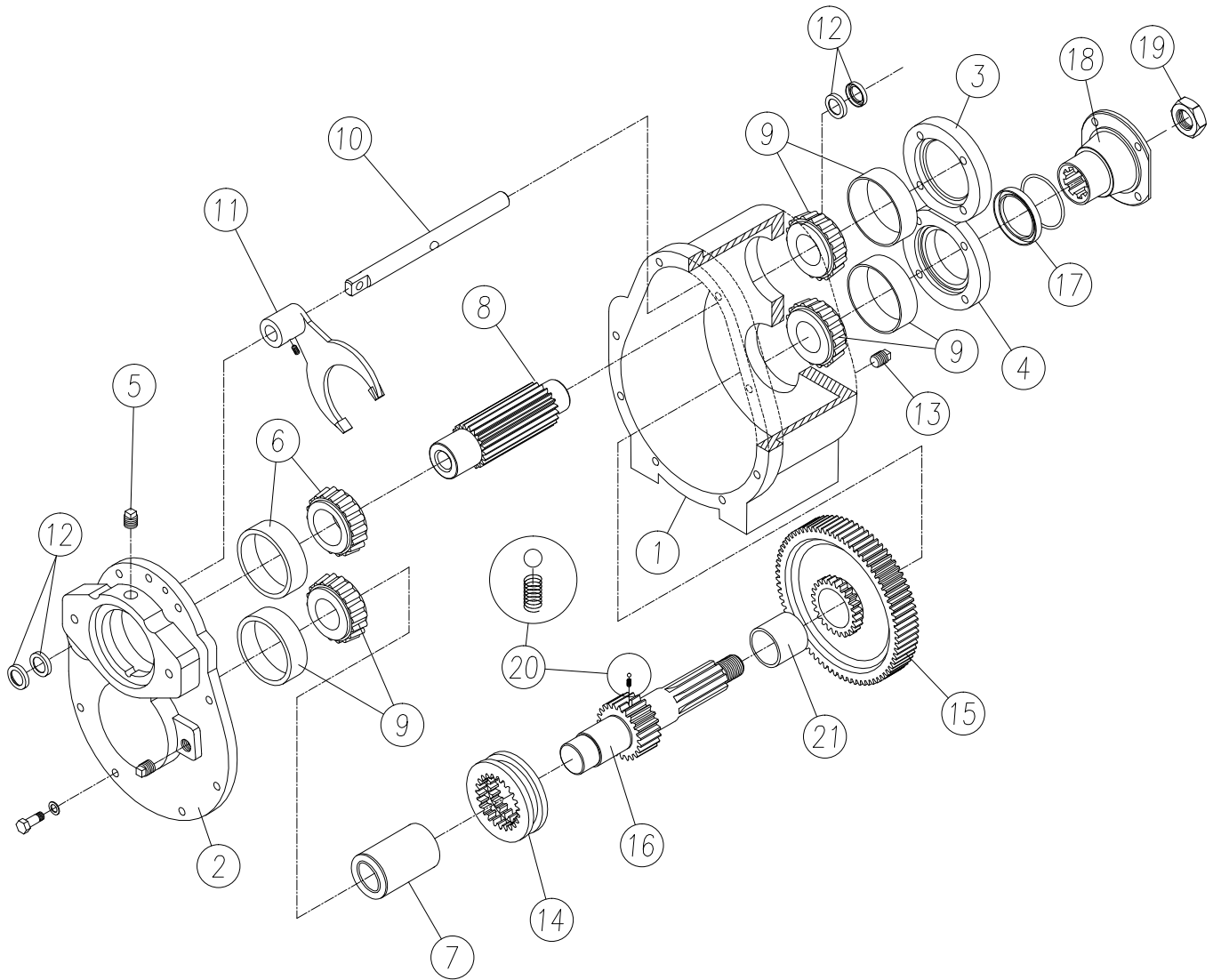
| Item | Part No.          | Description   | Qty. |
|------|-------------------|---|------|
| 1    | SB-2001L          | Rearend Housing   | 1    |
| 2    | SB-9028N          | Housing Vent - Brass Nipple Style   | 1    |
| 3    | SB-7000C          | Spring Pads - 2" Wide - Pair - Loose  | 2    |
| 4    | SB-95031          | 3rd Member Housing Stud   | 10   |
| 5    | SB-9007           | 3rd Member Gasket Kit w/ 10 Nuts & 10 Washers                                   | 1    |
| 6    | SB-90D543SS       | Complete, Assembled 3rd Member, Including Yoke (Specify Gear Ratio 5.43 or 4.3) | 1    |
| 7    | SB-4044N          | 1350 Short Yoke / Input Yoke  | 1    |
| 8    | SB-1005 (L or R)  | 31 Spline CTF Axle (Specify Left or Right Side)                                 | 2    |
| 9    | SB-9000C          | 1/2" - 20 Wheel Stud  | 12   |
| 10   | 35490             | Wheel Bearing Retainer Plate  | 2    |
| 11   | SB-8000S          | Wheel Bearing w/ O-Ring & Locking Collar  | 2    |
| 12   | 01-50001-024C     | Brake Drum  | 2    |
| 13   | 01-50001-004L     | Brake Backing Plate - Loaded - Right  | 1    |
|      | 01-50001-004R     | Brake Backing Plate - Loaded - Left   | 1    |
| 14   | SB-8012           | 3/8" T-Bolt w/ Stover Nut   | 8    |
| 15   | 01-50001-005      | Brake Shoes - Set of 4 (Does Both Sides)  | 1    |
| 16   | 01-50001-009L     | Wheel Cylinder, Right   | 1    |
|      | 01-50001-009R     | Wheel Cylinder, Left  | 1    |
| 17   | SB-BHDWR (L or R) | Brake Hardware Kit, Specify Left or Right                                       | 2    |
| 18   | SB-8013           | Axle Seal   | 2    |
| 19   | 11-50000-012B     | Drive Shaft HD Rear Axle  | 1    |
| 20   | 01-50000-013UJ    | U-Joint   | 2    |



### Drive Axle Open Carrier 3rd Member

| Item    | Part No. | Description                         | Qty. |
|---------|----------|-------------------------------------|------|
| 1       | SB-4013  | Ring & Pinion 5.43 Ratio            | 1    |
|         | SB-4043  | Ring & Pinion 4.3 Ratio             | 1    |
| 2       | SB-95008 | Open Carrier                        | 1    |
| 3       | SB-4026C | Gear Case                           | 1    |
| 4       | SB-94031 | Pinion Support                      | 1    |
| 5       | SB-4044N | Input Yoke - 1350 Series            | 1    |
| 6       | SB-8009  | Third Member Gasket                 | 1    |
| 7 & 8   | SB-8006  | Carrier Bearing & Race              | 2    |
| 9       | SB-8011  | Pinion Seal                         | 1    |
| 10 & 11 | SB-8002  | Front Pinion Bearing & Race         | 1    |
| 12 & 13 | SB-8003  | Rear Pinion Bearing & Race          | 1    |
| 14      | SB-8016  | Pocket Bearing                      | 1    |
| 15      | SB-8020  | Pocket Bearing Retainer             | 1    |
| 16 & 17 | SB-4039  | Solid Spacer w/ Preload Shims       | 1    |
| 18      | SB-4053  | Pinion Nut                          | 1    |
| 19 & 20 | SB-4060  | U-Joint Strap Kit 1-3/16" Cup (Kit) | 1    |
| 21      | SB-4061  | O-Ring                              | 1    |
| 22      | SB-4040  | Pinion Depth Shim Kit (5 Shims)     | 1    |
| 23      | SB-4075  | Ring Gear Bolts - Each              | 10   |





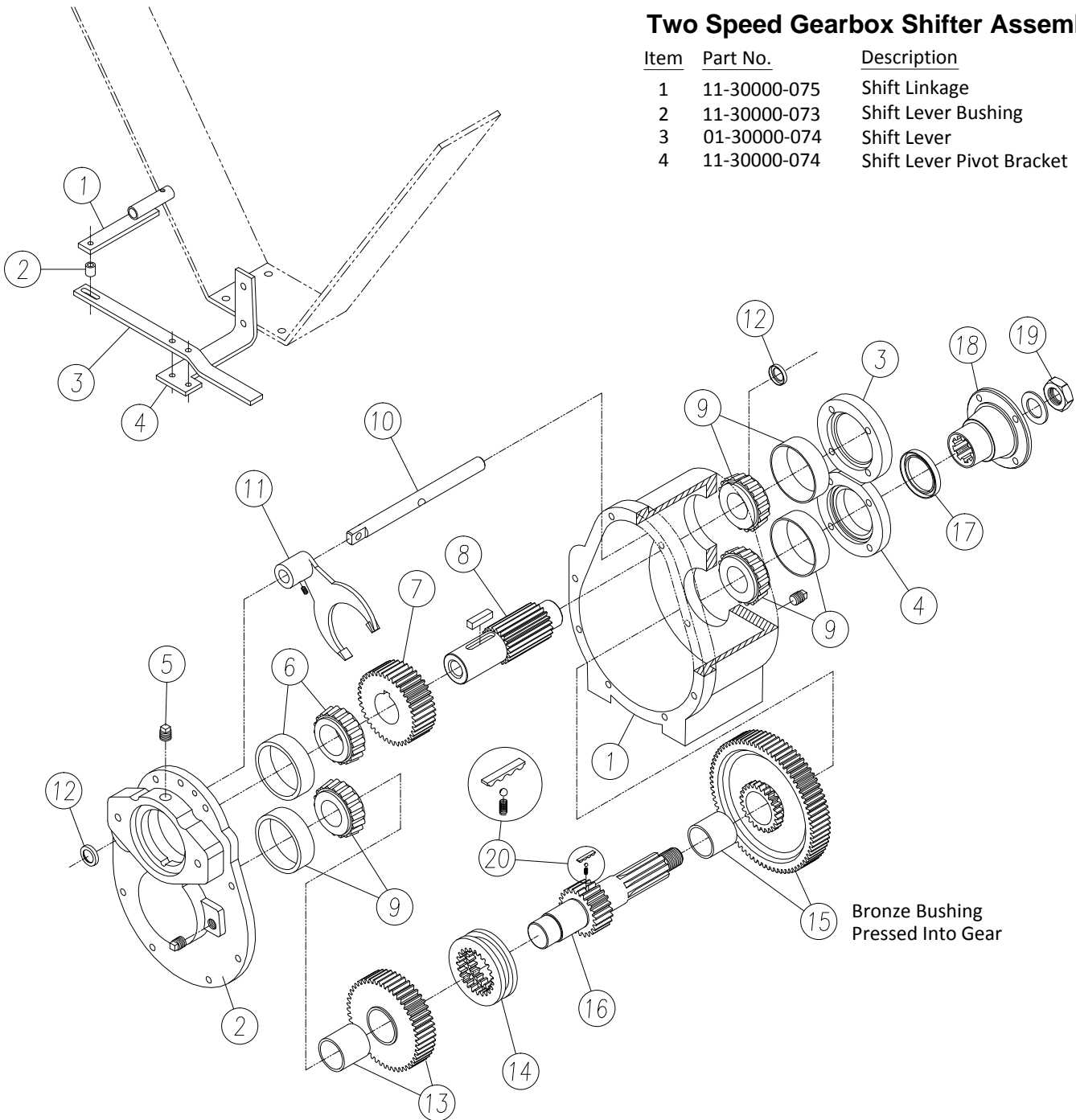
**Single Speed Gear Box Assembly 11-50800-087 (Serial # 914205 & Down)**

**Used With 2 Speed Gear Box Motor - 11-50800-008**

| <u>Item</u> | <u>Part No.</u> | <u>Description</u>              | <u>Item</u> | <u>Part No.</u> | <u>Description</u>   |
|-------------|-----------------|---------------------------------|-------------|-----------------|----------------------|
| 1           | 01-50001-087    | Main Housing                    | 12          | 01-50001-098    | Shift Rail Seal Kit  |
| 2           | 01-50001-088    | Housing Cover                   | 13          |                 | Magnetic Drain Plug  |
| 3           | 01-50001-089    | Bearing Cap                     | 14          | 01-50001-100    | Sliding Collar       |
| 4           | 01-50001-090    | Bearing & Seal Cap              | 15          | 11-50801-101    | Low Range Gear       |
| 5           | 01-50001-091    | Vent Plug                       | 16          | 01-50001-102    | Output Shaft         |
| 6           | 01-50001-092    | Bearing Assembly (Input Shaft)  | 17          | 01-50001-103    | Output Shaft Seal    |
| 7           | 11-50801-099    | Spacer                          | 18          | 01-50001-104    | Output Flange        |
| 8           | 11-50801-094    | Input Shaft                     | 19          | 01-50001-105    | Flange Nut           |
| 9           | 01-50001-095    | Bearing Assembly (Outout Shaft) | 20          | 01-50001-106    | Detent Kit           |
| 10          | 01-50001-096    | Shift Rail                      | 21          | 11-50801-108    | Low Range Bushing    |
| 11          | 01-50001-097    | Shift Fork                      | 22          | 01-50001-107    | Shim Kit (Not Shown) |

## Two Speed Gearbox Shifter Assembly

| Item | Part No.     | Description               |
|------|--------------|---------------------------|
| 1    | 11-30000-075 | Shift Linkage             |
| 2    | 11-30000-073 | Shift Lever Bushing       |
| 3    | 01-30000-074 | Shift Lever               |
| 4    | 11-30000-074 | Shift Lever Pivot Bracket |



## Two Speed Gearbox Assembly 01-50000-087 (Serial # 914206 To Present)

Used With 2 Speed Gear Box Motor - 11-50800-008-15

| Item | Part No.     | Description                     | Item | Part No.     | Description            |
|------|--------------|---------------------------------|------|--------------|------------------------|
| 1    | 01-50001-087 | Main Housing                    | 11   | 01-50001-097 | Shift Fork             |
| 2    | 01-50001-088 | Housing Cover                   | 12   | 01-50001-098 | Shift Rail Seal Kit    |
| 3    | 01-50001-089 | Bearing Cap                     | 13   | 01-50001-099 | High Range Gear        |
| 4    | 01-50001-090 | Bearing & Seal Cap              | 14   | 01-50001-100 | Sliding Collar         |
| 5    | 01-50001-091 | Vent Plug                       | 15   | 01-50001-101 | Low Range Gear         |
| 6    | 01-50001-092 | Bearing Assembly (Input Shaft)  | 16   | 01-50001-102 | Output Shaft           |
| * 7  | 01-50001-093 | Pinion Gear w/ Key              | 17   | 01-50001-103 | Output Shaft Seal      |
| * 8  | 01-50001-094 | Input Shaft                     | 18   | 01-50001-104 | Output Flange          |
| 9    | 01-50001-095 | Bearing Assembly (Output Shaft) | 19   | 01-50001-105 | Flange Nut             |
| 10   | 01-50001-096 | Shift Rail                      | 20   | 01-50001-106 | Detent Kit             |
|      |              |                                 | 21   | 01-50001-107 | Shim Kit (Not Shown)   |
|      |              |                                 | 22   | 01-50001-108 | Drain Plug (Not Shown) |

\* - Must Be Purchased Together

## John Deere Engine Filters

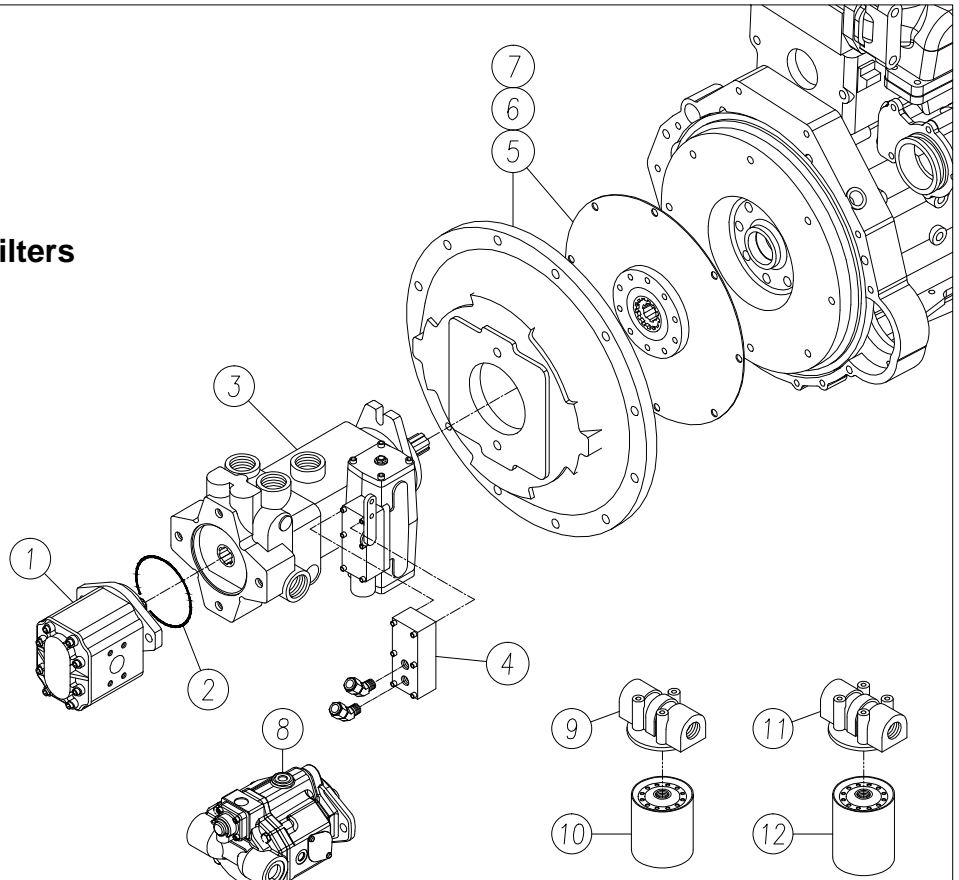
| Part No.     | Description        |
|--------------|--------------------|
| RE504836     | Oil Filter         |
| RE522868     | Fuel Filter        |
| 02-50000-627 | Inline Fuel Filter |

## Cummins 3.3 Turbo Engine Filters

| Part No.     | Description        |
|--------------|--------------------|
| LF16011      | Oil Filter         |
| FF5432       | Fuel Filter        |
| 02-50000-627 | Inline Fuel Filter |

## Kubota Engine Filters

| Part No.     | Description        |
|--------------|--------------------|
| 06-50000-402 | Oil Filter         |
| 06-50000-403 | Fuel Filter        |
| 02-50000-627 | Inline Fuel Filter |



## Hydrostat Drive Components

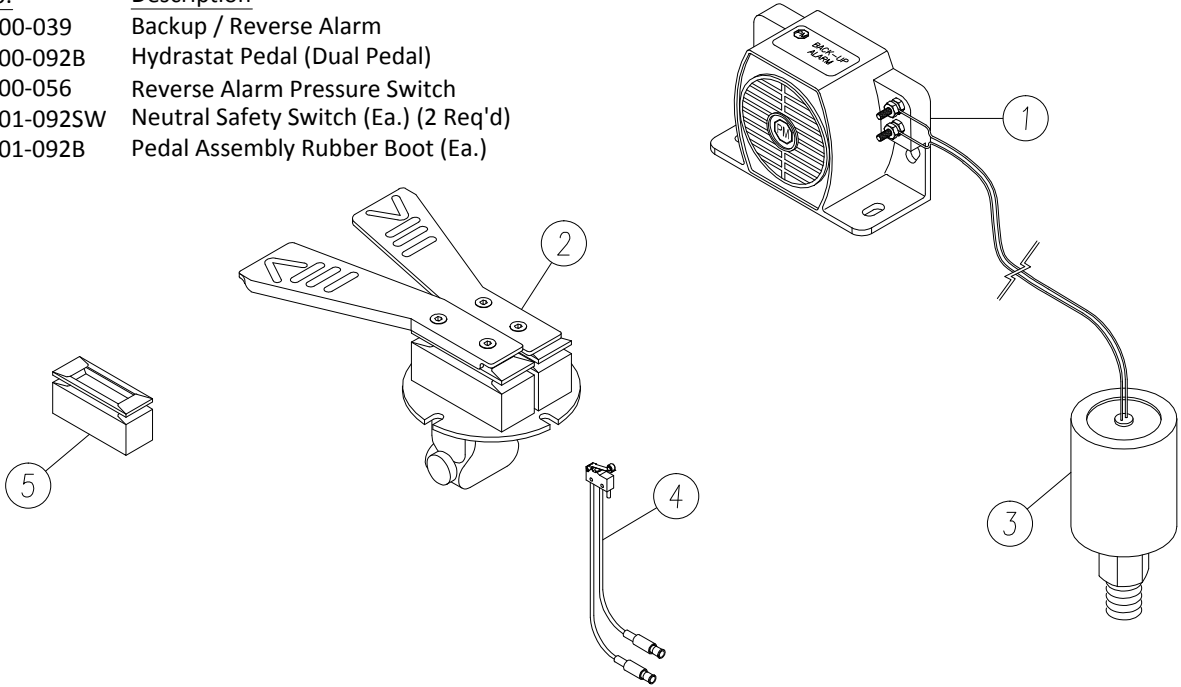
| Item | Part No.        | Description   |
|------|-----------------|---|
| 1    | 11-50800-002    | Concentric Gear Pump  |
| 2    | 01-50600-007    | "O" Ring  |
| 3    | 01-50600-009    | Hydrostat Piston Pump (Serial # 914206 & Below)                                     |
|      | 01-50600-009R   | Hydrostat Piston Pump / Rexroth (Serial # 914207 To Present)                        |
|      | 01-50600-009RM  | Hyd. Mechanical Servo Controller / Rexroth (Serial # 914207 To Present) (Not Shown) |
| 4    | 72401-AS        | Hyd. Pressure Operated Servo (Serial # 914206 & Below)                              |
| 5    | 02-50000-601    | Bell Housing Assembly w/ Drive Plate (John Deere & Kubota SAE #4)                   |
| 6    | 04-50000-601    | Bell Housing Assembly w/ Drive Plate (Cummins)                                      |
| 7    | 06-50000-601    | Bell Housing Assembly w/ Drive Plate (Kubota) - SAE #3                              |
| 8    | 11-50800-008    | Gearbox Motor (Hyd. Piston Motor) - Used w/ Single Speed Gear Box                   |
|      | 11-50800-008-15 | Gearbox Motor (Hyd. Piston Motor) - Used w/ 2-Speed Gear Box                        |
| 9    | 01-50600-005    | Filter Head (Serial # 915219 & Down)  |
| 10   | 01-50600-004    | Filter Element (Includes O-Ring) (Serial # 915219 & Down)                           |
| 11   | 01-50600-006    | Filter Head (Serial # 915220 To Present)  |
| 12   | 01-50600-004M   | Filter Element (Includes O-Ring) (Serial # 915220 To Present)                       |
| 13   | 01-50601-002    | Load Sensor Cartridge Assembly (Not Shown)  |
| 14   | 01-50600-056    | Reverse Alarm Pressure Switch (See Next Page)                                       |

## Seal Kits (Not Shown)

|               |   |
|---------------|---|
| 16253-18      | Hydrostat Pump Front Shaft Seal (Non-Stock) (For 01-50600-002 & 01-50600-009) |
| 72400-908     | Hydrostat Pump Seal Kit (For 01-50600-009)                                    |
| 72400-621     | Hydrostat Pump Cover Plate Gasket (For 01-50600-009)                          |
| SK-R902095614 | Hydrostat Pump Seal Kit (For 01-50600-009R)                                   |
| SK-R902002387 | Hydrostat Pump Front Shaft Seal (For 01-50600-009R)                           |
| SK-R913032365 | Hydrostat Pump Interface Seal (For 01-50600-009R)                             |

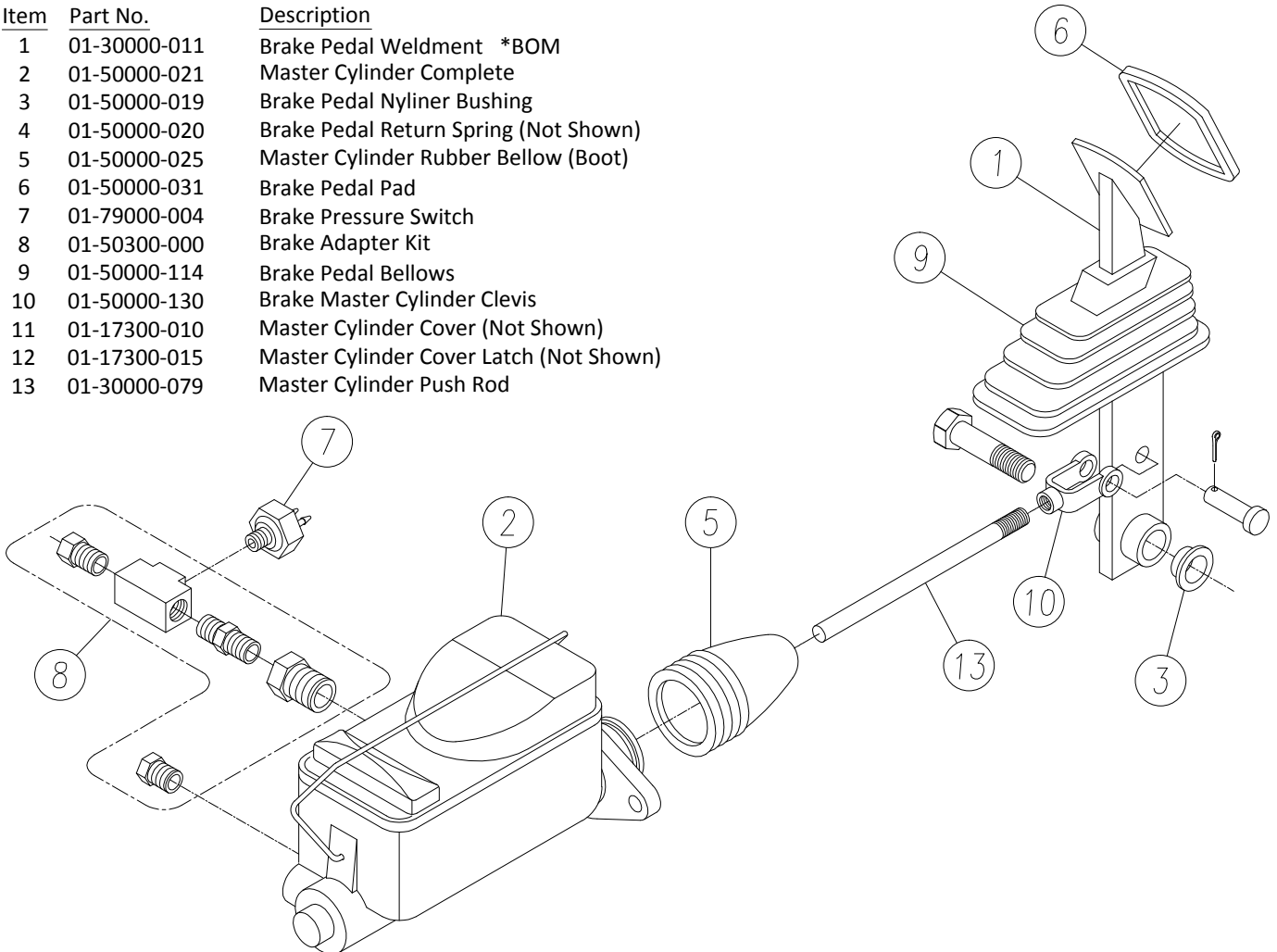
## Directional Control Pedal & Backup Alarm

| Item | Part No.       | Description                           |
|------|----------------|---------------------------------------|
| 1    | 01-50000-039   | Backup / Reverse Alarm                |
| 2    | 01-50000-092B  | Hydrastat Pedal (Dual Pedal)          |
| 3    | 01-50600-056   | Reverse Alarm Pressure Switch         |
| 4    | 01-50001-092SW | Neutral Safety Switch (Ea.) (2 Req'd) |
| 5    | 01-50001-092B  | Pedal Assembly Rubber Boot (Ea.)      |



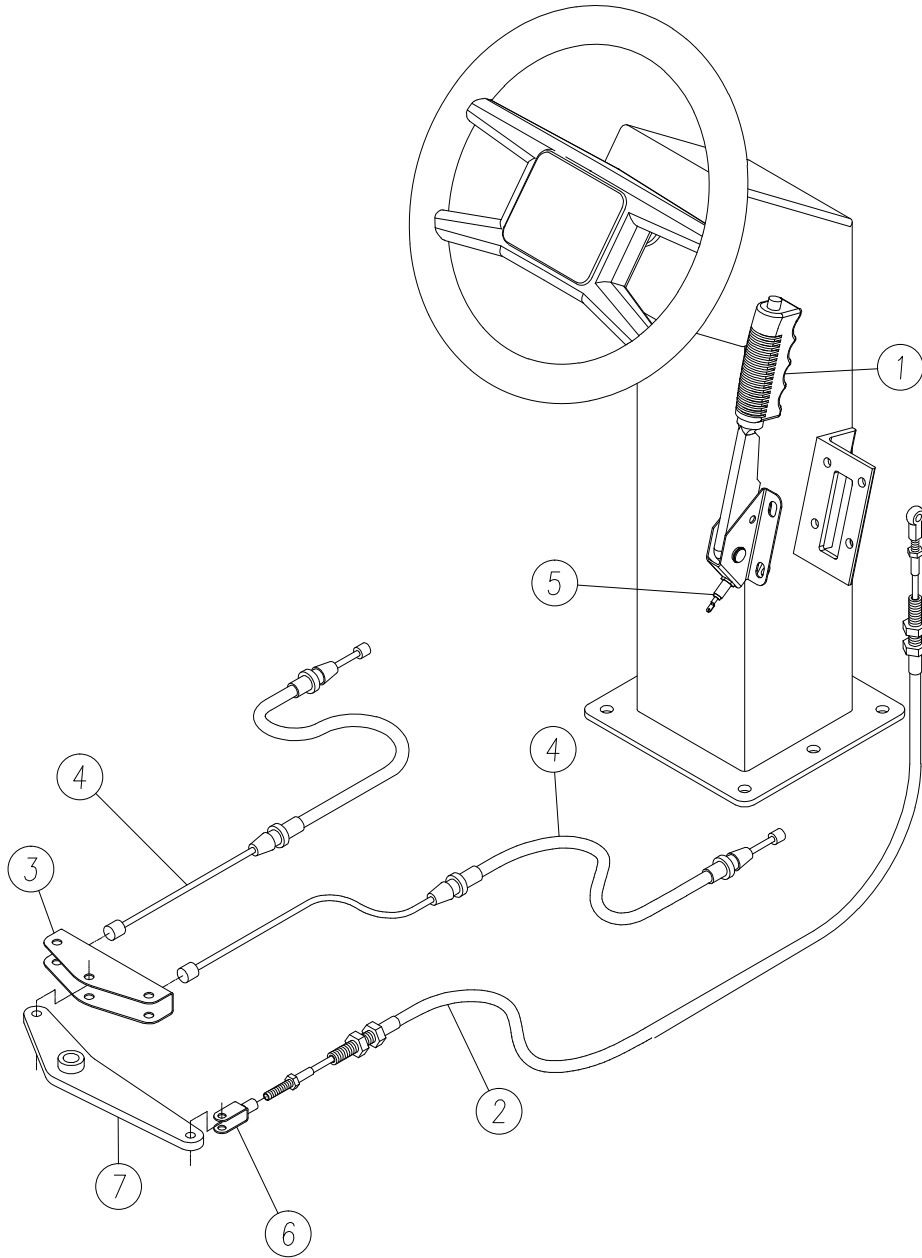
## Master Cylinder and Brake Pedal Assembly

| Item | Part No.     | Description                             |
|------|--------------|---|
| 1    | 01-30000-011 | Brake Pedal Weldment *BOM               |
| 2    | 01-50000-021 | Master Cylinder Complete                |
| 3    | 01-50000-019 | Brake Pedal Nyliner Bushing             |
| 4    | 01-50000-020 | Brake Pedal Return Spring (Not Shown)   |
| 5    | 01-50000-025 | Master Cylinder Rubber Bellow (Boot)    |
| 6    | 01-50000-031 | Brake Pedal Pad                         |
| 7    | 01-79000-004 | Brake Pressure Switch                   |
| 8    | 01-50300-000 | Brake Adapter Kit                       |
| 9    | 01-50000-114 | Brake Pedal Bellows                     |
| 10   | 01-50000-130 | Brake Master Cylinder Clevis            |
| 11   | 01-17300-010 | Master Cylinder Cover (Not Shown)       |
| 12   | 01-17300-015 | Master Cylinder Cover Latch (Not Shown) |
| 13   | 01-30000-079 | Master Cylinder Push Rod                |

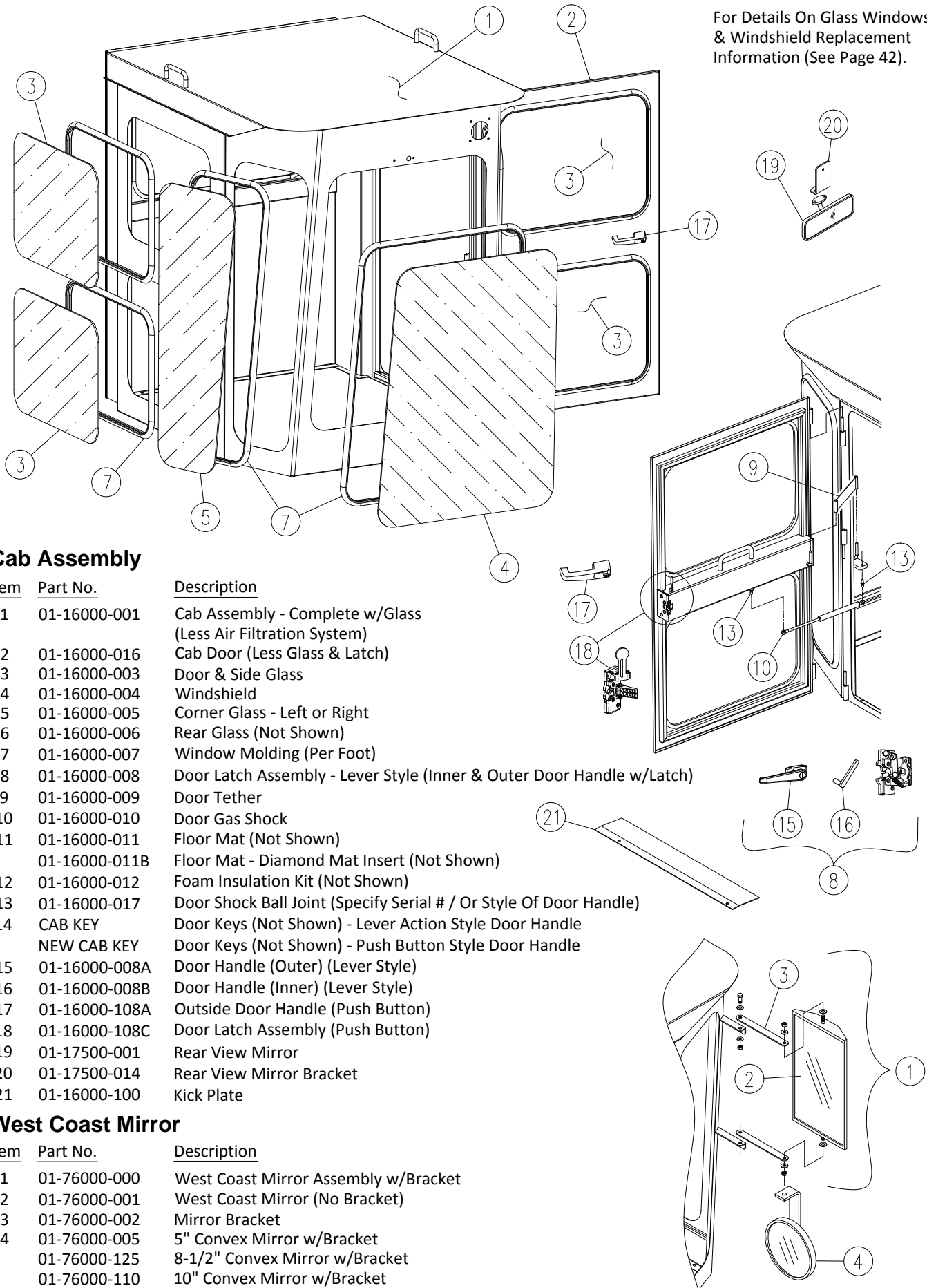


# Parking Brake Lever Assembly

| <u>Item</u> | <u>Part No.</u> | <u>Description</u>                      |
|-------------|-----------------|---|
| 1           | 01-50000-029B   | Parking Brake Lever Assembly            |
| 2           | 01-50000-027B   | Parking Brake Primary Cable             |
| 3           | 01-50000-026    | Parking Brake Cable Equalizer           |
| 4           | 11-50000-028    | Parking Brake Secondary Cable (2 Req'd) |
| 5           | 01-50001-026B   | Parking Brake Switch                    |
| 6           | 01-50000-101    | Clevis                                  |
| 7           | 11-30001-011B   | Bell Crank                              |



For Details On Glass Windows & Windshield Replacement Information (See Page 42).



### Cab Assembly

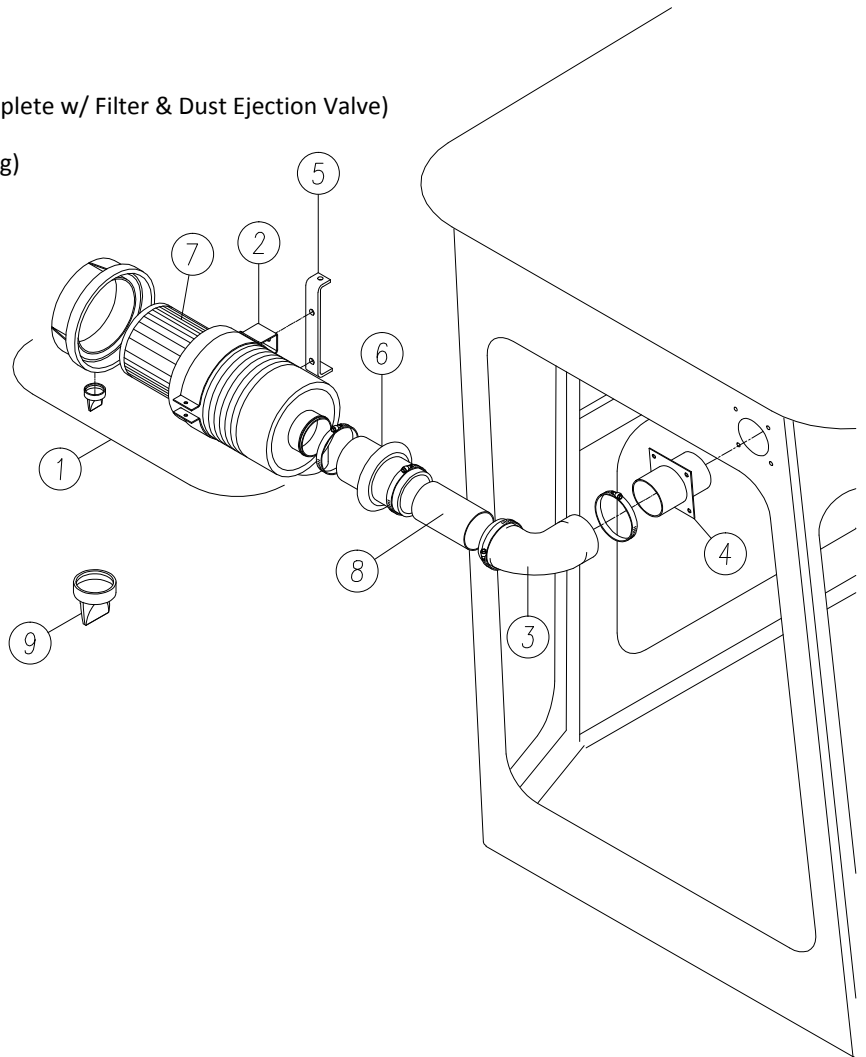
| Item | Part No.      | Description   |
|------|---------------|---|
| 1    | 01-16000-001  | Cab Assembly - Complete w/Glass (Less Air Filtration System)          |
| 2    | 01-16000-016  | Cab Door (Less Glass & Latch)   |
| 3    | 01-16000-003  | Door & Side Glass   |
| 4    | 01-16000-004  | Windshield  |
| 5    | 01-16000-005  | Corner Glass - Left or Right  |
| 6    | 01-16000-006  | Rear Glass (Not Shown)  |
| 7    | 01-16000-007  | Window Molding (Per Foot)   |
| 8    | 01-16000-008  | Door Latch Assembly - Lever Style (Inner & Outer Door Handle w/Latch) |
| 9    | 01-16000-009  | Door Tether   |
| 10   | 01-16000-010  | Door Gas Shock  |
| 11   | 01-16000-011  | Floor Mat (Not Shown)   |
|      | 01-16000-011B | Floor Mat - Diamond Mat Insert (Not Shown)                            |
| 12   | 01-16000-012  | Foam Insulation Kit (Not Shown)                                       |
| 13   | 01-16000-017  | Door Shock Ball Joint (Specify Serial # / Or Style Of Door Handle)    |
| 14   | CAB KEY       | Door Keys (Not Shown) - Lever Action Style Door Handle                |
|      | NEW CAB KEY   | Door Keys (Not Shown) - Push Button Style Door Handle                 |
| 15   | 01-16000-008A | Door Handle (Outer) (Lever Style)                                     |
| 16   | 01-16000-008B | Door Handle (Inner) (Lever Style)                                     |
| 17   | 01-16000-108A | Outside Door Handle (Push Button)                                     |
| 18   | 01-16000-108C | Door Latch Assembly (Push Button)                                     |
| 19   | 01-17500-001  | Rear View Mirror  |
| 20   | 01-17500-014  | Rear View Mirror Bracket  |
| 21   | 01-16000-100  | Kick Plate  |

### West Coast Mirror

| Item | Part No.     | Description                          |
|------|--------------|--------------------------------------|
| 1    | 01-76000-000 | West Coast Mirror Assembly w/Bracket |
| 2    | 01-76000-001 | West Coast Mirror (No Bracket)       |
| 3    | 01-76000-002 | Mirror Bracket                       |
| 4    | 01-76000-005 | 5" Convex Mirror w/Bracket           |
|      | 01-76000-125 | 8-1/2" Convex Mirror w/Bracket       |
|      | 01-76000-110 | 10" Convex Mirror w/Bracket          |

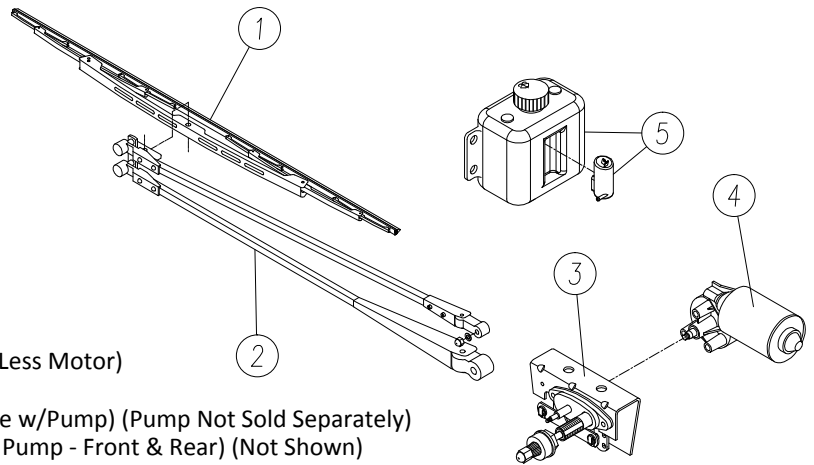
## Cab Air Filtration Assembly

| Item | Part No.     | Description  |
|------|--------------|--|
| 1    | 01-86000-002 | Air Filter Canister (Complete w/ Filter & Dust Ejection Valve) |
| 2    | 01-86000-003 | Clamp  |
| 3    | 01-50000-042 | Elbow 3" X 3" X 90 (Long)                                      |
| 4    | 01-86000-012 | Bulkhead Adapter   |
| 5    | 01-86000-015 | Bracket  |
| 6    | 01-86000-018 | Hump Hose  |
| 7    | 01-86000-120 | Filter   |
| 8    | 01-86000-019 | Cab Air Filtration Tube  |
| 9    | 01-86001-048 | Dust Ejection Valve  |



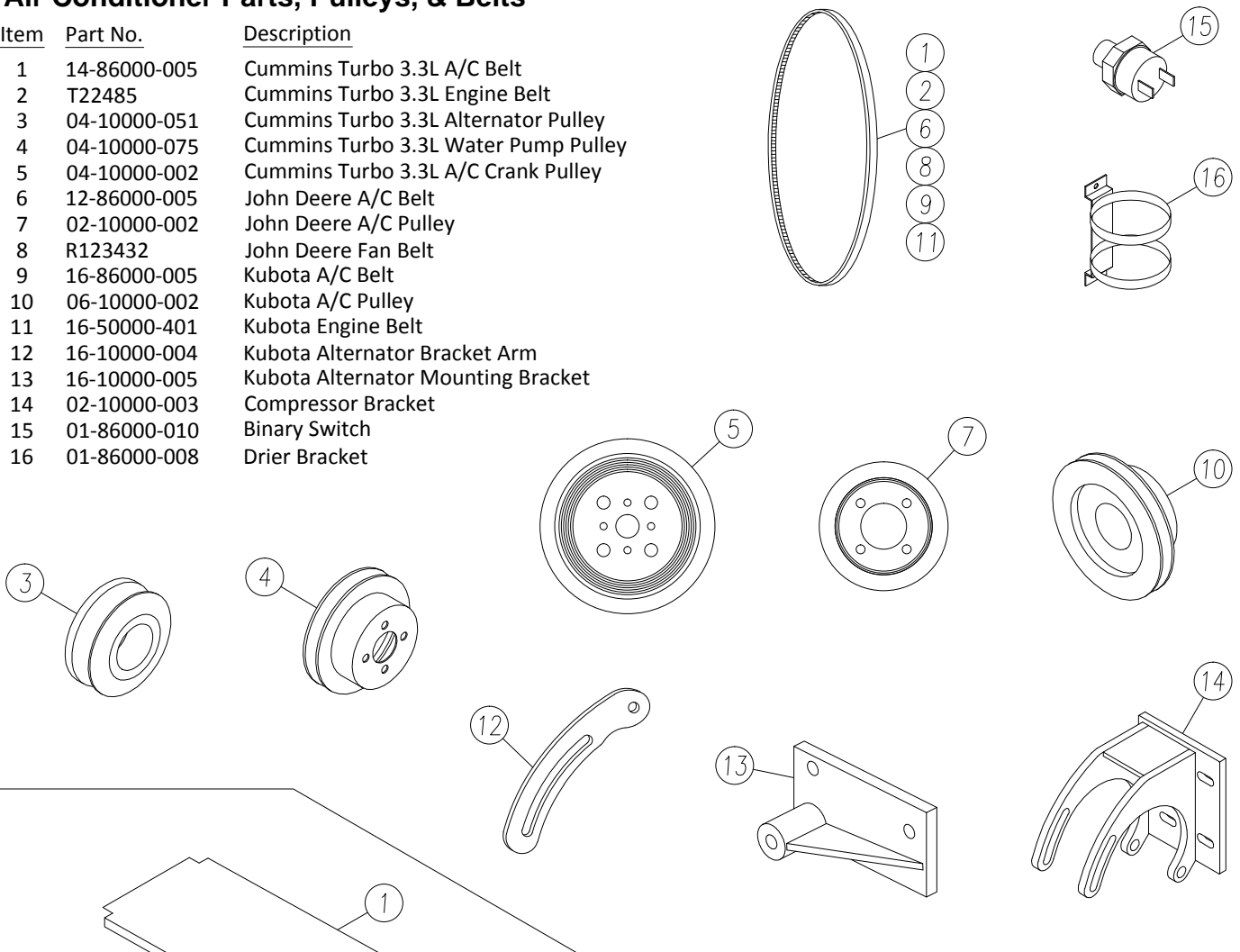
## Windshield Wiper Assembly

| Item | Part No.          | Description  |
|------|-------------------|--|
| 1    | 01-16000-025      | Wiper Blade  |
| 2    | 01-16000-026      | Wiper Blade Arms (Set)                                     |
| 3    | 01-16000-027      | Wiper Drive Assembly (Less Motor)                          |
| 4    | 01-16000-028      | Wiper Motor  |
| 5    | 01-83000-002      | Washer Pump Kit (Bottle w/Pump) (Pump Not Sold Separately) |
| 6    | 01-83000-006      | Washer Pump Kit (Dual Pump - Front & Rear) (Not Shown)     |
| 7    | 01-83000-001      | Washer Kit (Washer Tube & Spray Nozzle) (Not Shown)        |
| 8    | 01-83000-004      | Spray Tube (Not Shown)                                     |
| 9    | 01-81000-001      | Rear Wiper Motor (Not Shown)                               |
| 10   | 01-81000-002      | Rear Wiper Blade (Not Shown)                               |
| 11   | 01-81000-003      | Rear Wiper Arm (Not Shown)                                 |
| 12   | BOM-01-83000-000  | Front Washer Assembly (Not Shown)                          |
| 13   | BOM-01-83000-000R | Rear Washer Assembly (Not Shown)                           |
| 14   | BOM-01-81000-000  | Rear Wiper Assembly (Not Shown)                            |



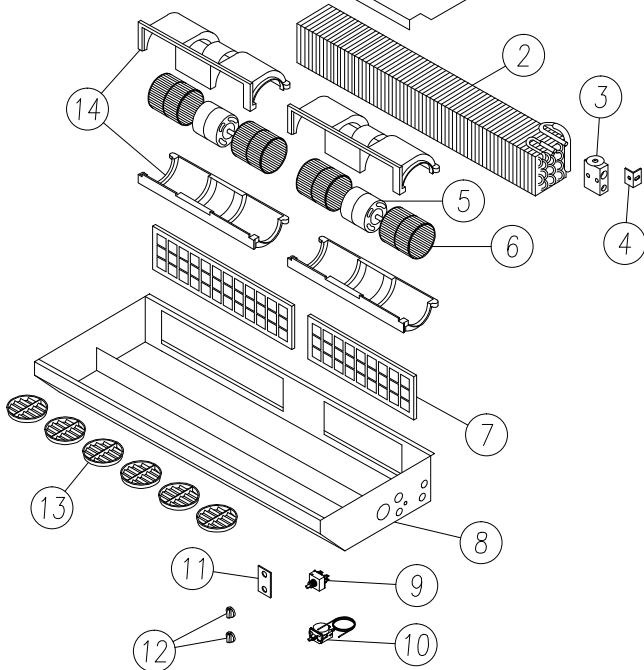
## Air Conditioner Parts, Pulleys, & Belts

| Item | Part No.     | Description                          |
|------|--------------|--------------------------------------|
| 1    | 14-86000-005 | Cummins Turbo 3.3L A/C Belt          |
| 2    | T22485       | Cummins Turbo 3.3L Engine Belt       |
| 3    | 04-10000-051 | Cummins Turbo 3.3L Alternator Pulley |
| 4    | 04-10000-075 | Cummins Turbo 3.3L Water Pump Pulley |
| 5    | 04-10000-002 | Cummins Turbo 3.3L A/C Crank Pulley  |
| 6    | 12-86000-005 | John Deere A/C Belt                  |
| 7    | 02-10000-002 | John Deere A/C Pulley                |
| 8    | R123432      | John Deere Fan Belt                  |
| 9    | 16-86000-005 | Kubota A/C Belt                      |
| 10   | 06-10000-002 | Kubota A/C Pulley                    |
| 11   | 16-50000-401 | Kubota Engine Belt                   |
| 12   | 16-10000-004 | Kubota Alternator Bracket Arm        |
| 13   | 16-10000-005 | Kubota Alternator Mounting Bracket   |
| 14   | 02-10000-003 | Compressor Bracket                   |
| 15   | 01-86000-010 | Binary Switch                        |
| 16   | 01-86000-008 | Drier Bracket                        |

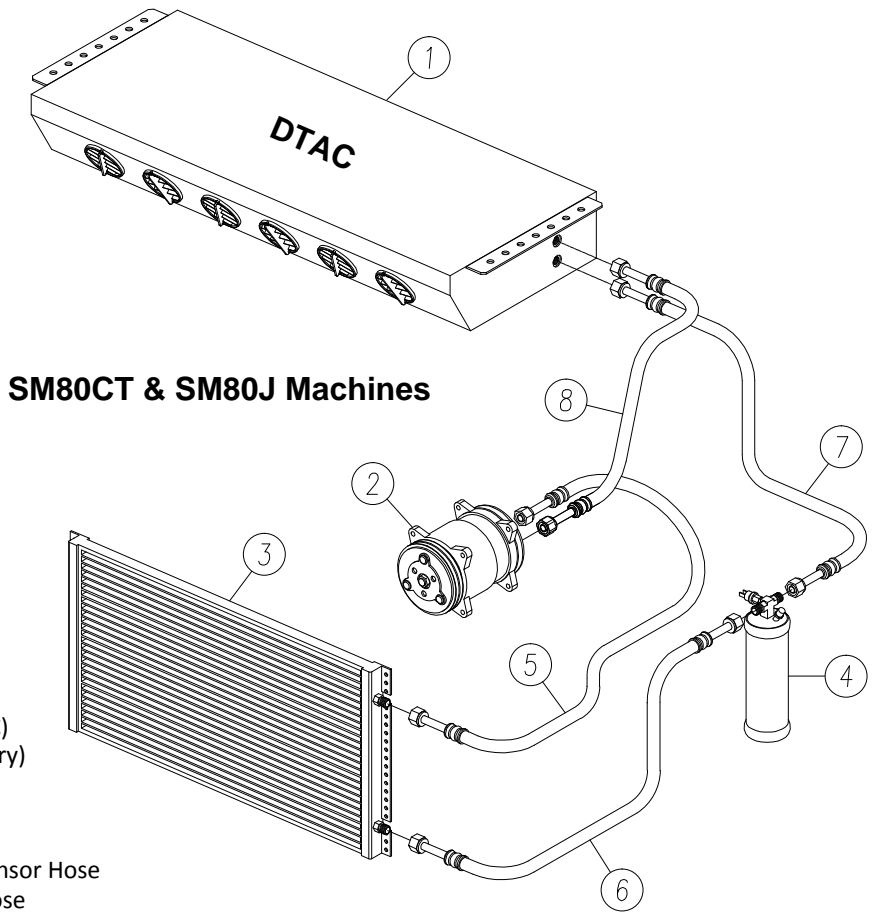


## Model SM80 DTAC Air Conditioner Parts

| Item | Part No. | Description                               |
|------|----------|---|
| 1    | 31-50020 | Housing Lid                               |
| 2    | 07-00316 | Evaporator Coil                           |
| 3    | 04-15004 | Expansion Valve                           |
| 4    | 50-50500 | Expansion Valve Bracket                   |
| 5    | 02-17003 | 12V Motor (2)                             |
| 6    | 02-16020 | Blower Wheel (4)                          |
| 7    | 31-50000 | Intake Filter (1)                         |
| 8    | 50-00005 | Small Intake Filter (1)                   |
| 9    | 31-50019 | Bottom Housing                            |
| 10   | 03-14002 | Thermostat                                |
| 11   | 12-50419 | Switch Plate                              |
| 12   | 03-00165 | Thermostat / Fan Control Knob             |
| 13   | 02-16061 | 3.5" Louver (6)                           |
| 14   | 02-16060 | Top & Bottom Housings                     |
| 15   | 12-00315 | Wiring Harness (Not Shown)                |
| 16   | 03-01702 | Blower Motor Relay (Not Shown)            |
| 17   | 30-51580 | Blower Motor Assembly (Includes 5,6 & 14) |
| 18   | 03-11126 | Switch Pigtail (Not Shown)                |
| 19   | 03-13029 | 40A Circuit Breaker (Not Shown)           |

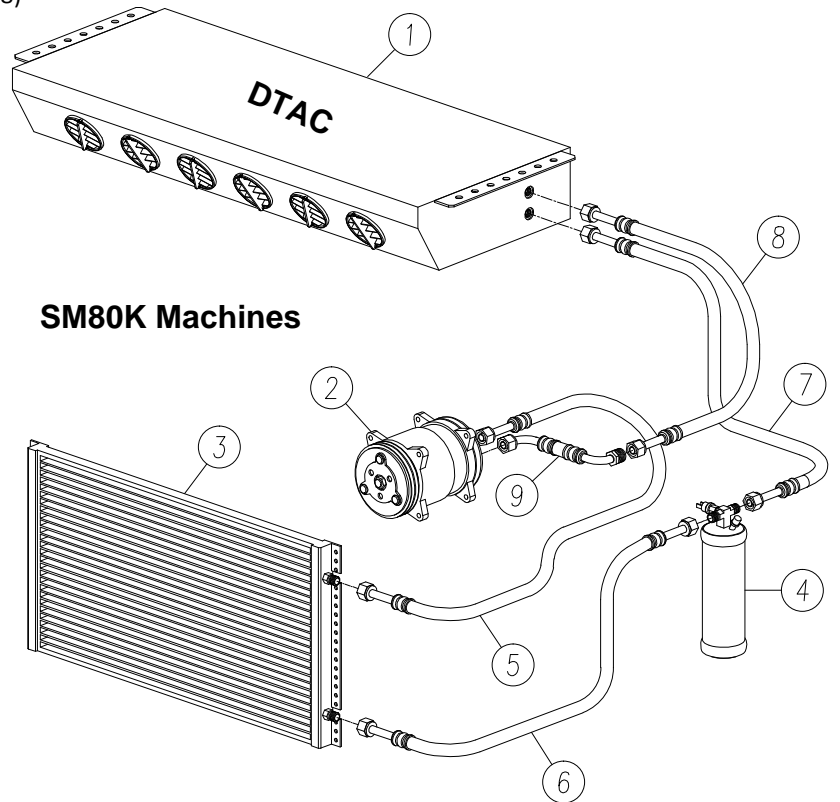






### Air Conditioner Parts

| Item | Part No.     | Description                   |
|------|--------------|-------------------------------|
| 1    | 01-86000-007 | Evaporator Unit (DTAC)        |
|      | 01-86000-107 | Evaporator Unit (Victory)     |
| 2    | 01-86000-014 | Compressor                    |
| 3    | 01-86000-013 | Condenser                     |
| 4    | 01-86000-009 | Drier                         |
| 5    | 01-86600-113 | Compressor To Condensor Hose  |
| 6    | 01-86600-109 | Drier To Condensor Hose       |
| 7    | 01-86600-107 | Evaporator To Drier Hose      |
| 8    | 01-86600-114 | Compressor To Evaporator Hose |
| 9    | 04-86000-025 | Cummins S-Bend Hose           |
| 10   | 01-86000-020 | Hose Kit (Includes 5,6,7 & 8) |



#### Manufacturers Recommendations:

When Changing Lines #6 Or #7,  
It Is Recommended To Change The Drier.

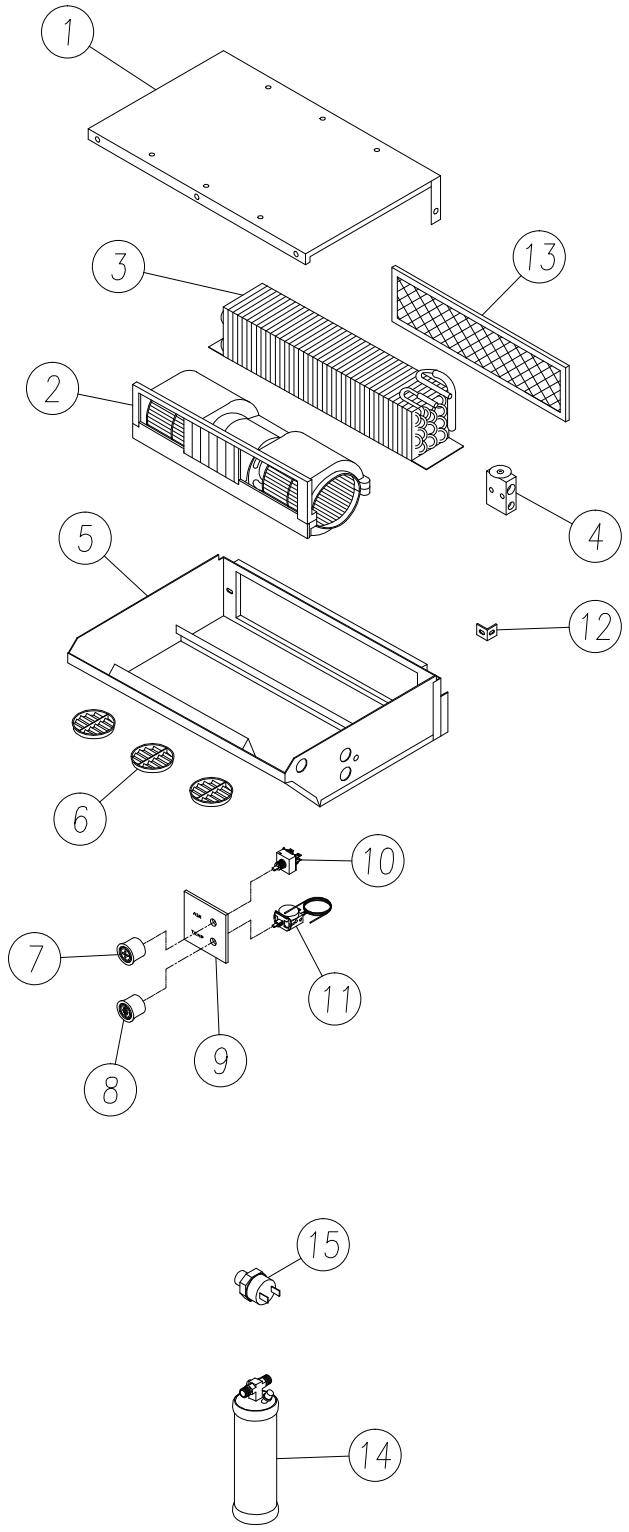
When Changing The Drier,  
There Is A Possible Need To Change  
The Expansion Valve.

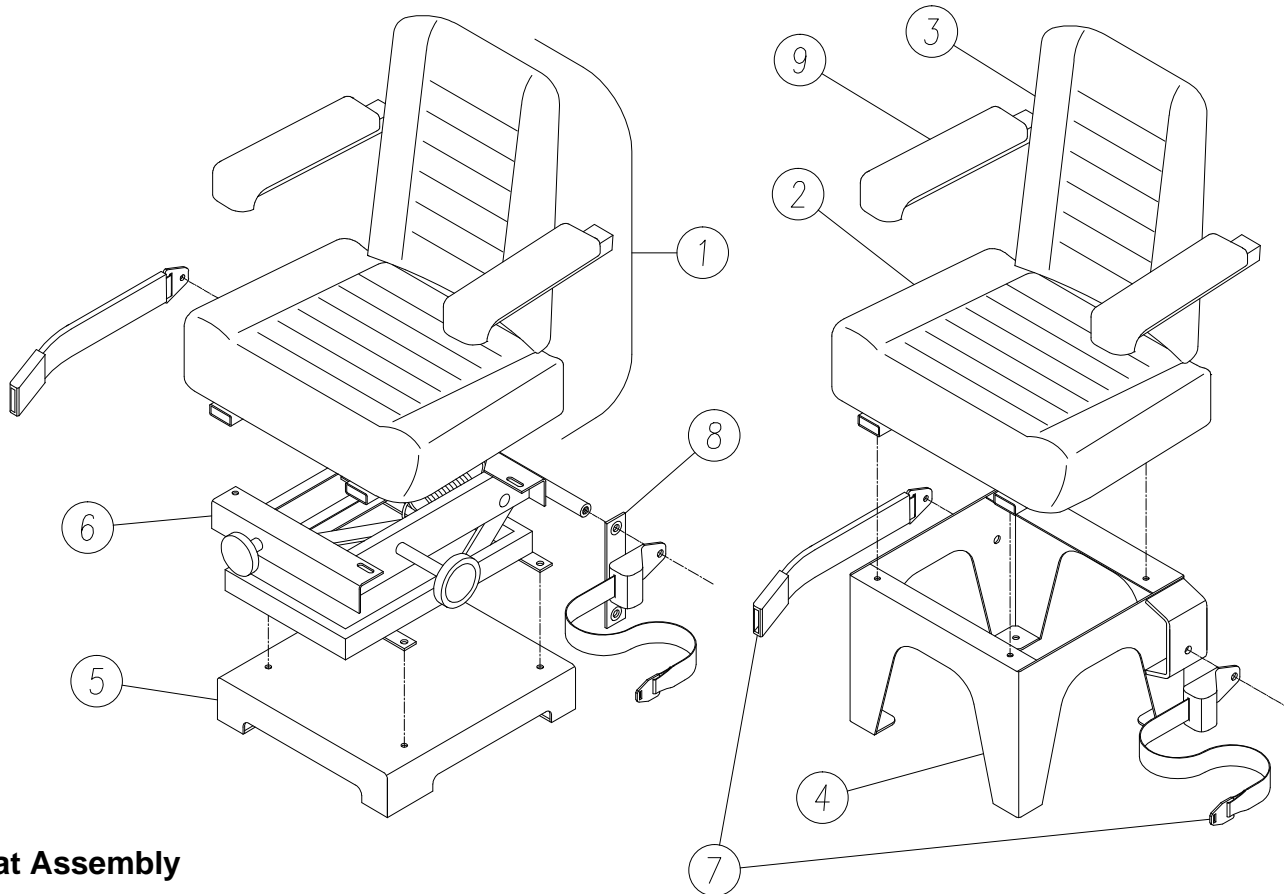
When Changing The Drier, Add 2 oz.  
Of Ester Oil.

# Victory Air Conditioner Parts

## 01-86000-107 Evaporator System - Includes Items 1-13

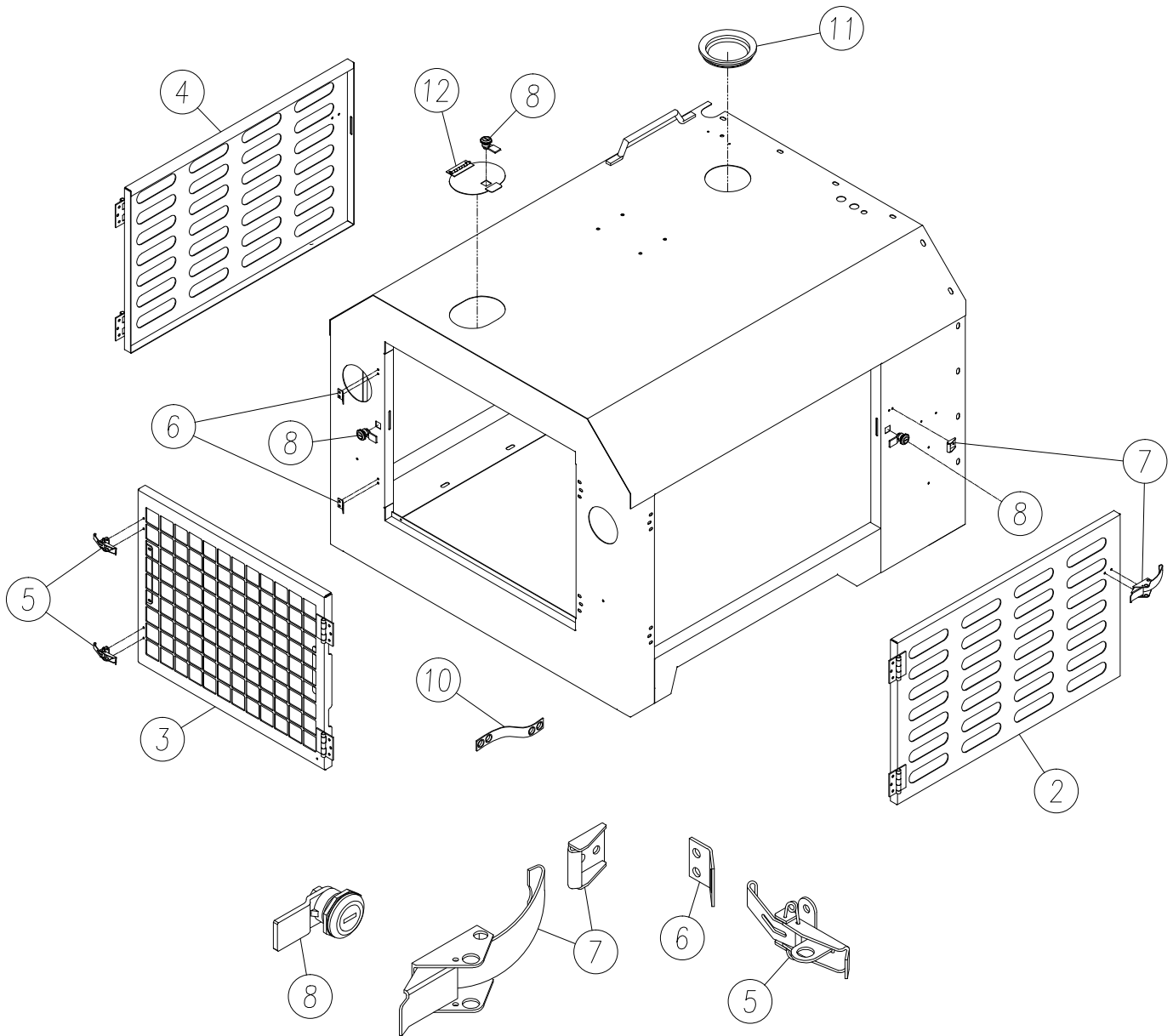
| Item | Part No.     | Description                   |
|------|--------------|-------------------------------|
| 1    | 060-00391    | Cover, Evaporator             |
| 2    | 083-00091    | Blower Assembly               |
| 3    | 041-00069    | Evaporator Coil               |
| 4    | 034-00046    | Expansion Valve               |
| 5    | 060-00390    | Housing Evaporator            |
| 6    | 062-00403    | Louver, 3" Round (3)          |
| 7    | 01-01716     | Knob, Fan                     |
| 8    | 01-01717     | Knob, Thermostat              |
| 9    |              | Switch Plate                  |
| 10   | 11-00101     | Switch, Rotary                |
| 11   | 033-00034    | Thermostat                    |
| 12   | 070-00282    | Bracket, Mounting, Exp. Valve |
| 13   | 045-00327    | Filter                        |
| 14   | 07-01018     | Drier                         |
| 15   | 11-00644     | Binary Switch                 |
| 16   | 01-86000-107 | Evaporator System             |





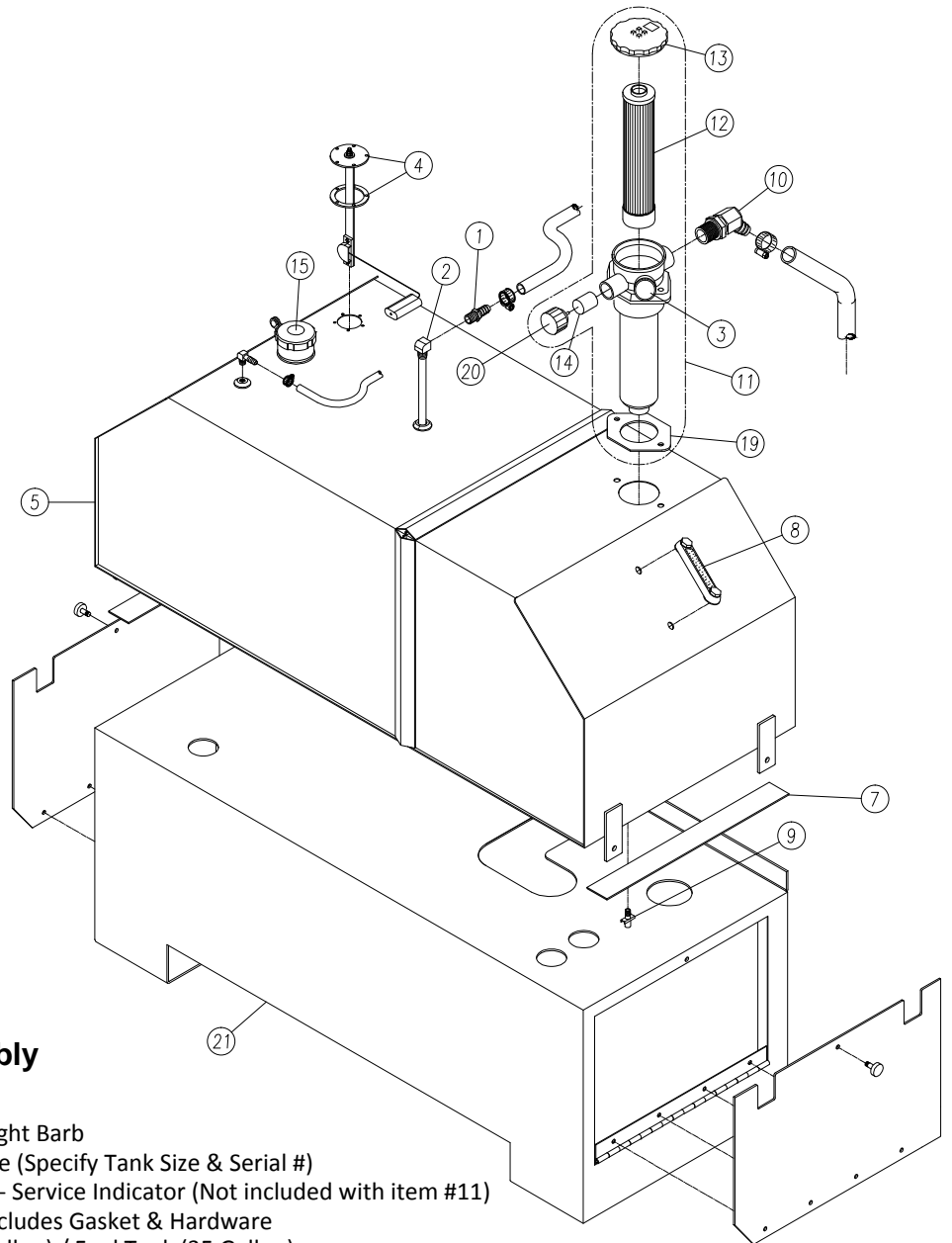
### Seat Assembly

| Item | Part No.      | Description   |
|------|---------------|---|
| 1    | 01-50000-096  | Seat Assembly (Complete, Less Base)   |
| 2    | 01-50000-112  | Seat Bottom Cushion   |
| 3    | 01-50000-113  | Seat Back Cushion   |
| 4    | 01-17200-001  | Seat Base (Standard)  |
| 5    | 01-17200-010  | Seat Base (Suspension)  |
| 6    | 01-17200-011S | Seat Suspension Assembly  |
| 7    | 01-50000-095  | Seat Belt Assembly  |
|      | 01-50000-095B | Seat Belt / Shoulder Harness Assembly   |
| 8    | 01-17200-012  | Tether Set (Qty. 2)   |
| 9    | 01-50000-114R | Arm Rest (Right)  |
|      | 01-50000-114L | Arm Rest (Left)   |
| 10   | 01-17200-013  | Air Ride Mid-Back Seat (Air Ride Suspension & Compressor)<br>(Optional - Not Shown) |



## Engine Hood Assembly

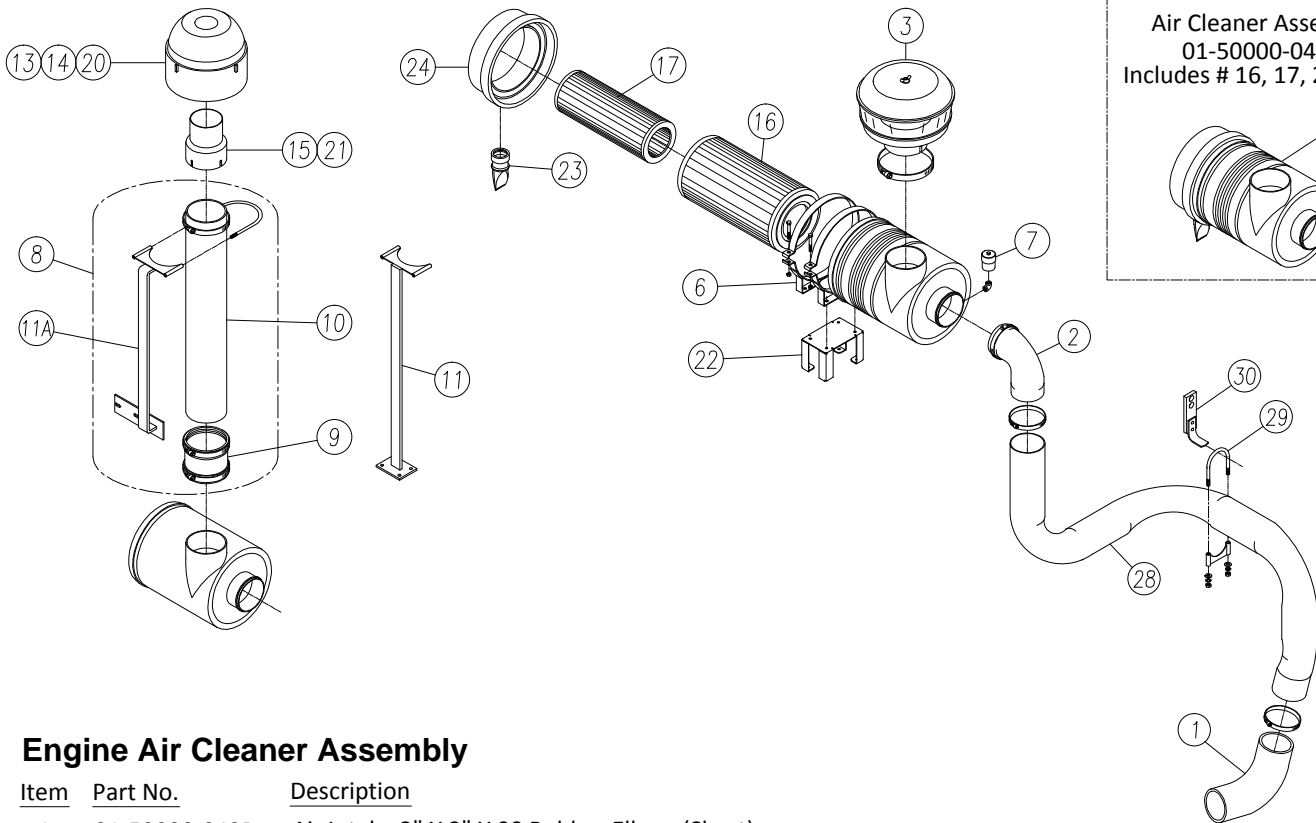
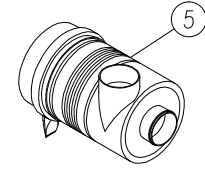
| Item | Part No.      | Description  |
|------|---------------|--|
| 1    | 11-18000-100  | Engine Cover (Complete w/ Doors, Decals & Latches) |
| 2    | 11-18000-301  | Engine Cover Door - Right                          |
| 3    | 11-18000-400  | Radiator Door                                      |
| 4    | 11-18000-300  | Engine Cover Door - Left                           |
| 5    | 01-89000-002  | Rear Latches                                       |
| 6    | 01-89000-003  | Rear Latch Strike / Keeper                         |
| 7    | 01-89000-004  | Side Latches & Keepers                             |
| 8    | 01-89000-001B | Lock Insert w/ Cam                                 |
| 9    | 01-89000-001K | Replacement Key - For 01-89000-001B (Not Shown)    |
| 10   | 01-86000-021  | Rear Door Strap - 8½" Strap w/Gromets              |
| 11   | 01-50000-049  | Rubber Protective Ring                             |
| 12   | 01-89000-005  | Radiator Lock Plate                                |



## Fuel /Hydraulic Tank Assembly

| Item | Part No.      | Description   |
|------|---------------|---|
| 1    | 01-50000-070  | 3/8" Brass Straight Barb  |
| 2    | 01-90001-073  | Fuel Pickup Tube (Specify Tank Size & Serial #)                   |
| 3    | 01-50601-048  | Hydraulic Filter - Service Indicator (Not included with item #11) |
| 4    | 01-51000-018  | Fuel Sender - Includes Gasket & Hardware                          |
| 5    | 01-90000-001  | Hydraulic (27 Gallon) / Fuel Tank (35 Gallon)                     |
|      | 01-90000-010B | Hydraulic (22 Gallon) / Fuel Tank (38 Gallon)                     |
| 6    | 01-50000-076  | Tank Strap (Specify Tank Size & Serial #) (Not Shown)             |
| 7    | 01-50000-109  | Tank Pads (Rubber)  |
| 8    | 01-50600-021  | Sight Level Gauge   |
| 9    | 01-50500-017  | Drain Valve   |
| 10   | 01-50500-051  | Filter To Hose 45 Deg. Elbow                                      |
| 11   | 01-50600-012B | Return Filter Assembly (w/ Filter)                                |
| 12   | 01-50600-014  | Return Filter Element   |
| 13   | 01-50600-016B | Filter Cap - Spring & O-Ring Included                             |
| 14   | 01-50600-017  | Breather Filter   |
| 15   | 01-50600-022  | Fuel Cap  |
| 16   | 02-50000-625  | 3/16" X 3/16" Brass Straight Barb (Not Shown)                     |
| 17   | 02-50000-626  | Brass Hose Splice Fuel Tank (JD) (Not Shown)                      |
| 18   | 02-50000-627  | Fuel Filter Inline (Not Shown)                                    |
| 19   | 01-50600-023B | Filter Gasket   |
| 20   | 01-50600-020B | Breather Cap  |
| 21   | 11-18000-900A | Tank Support Stand (Complete w/Doors)                             |

**Air Cleaner Assembly**  
01-50000-046B  
Includes # 16, 17, 23, & 24



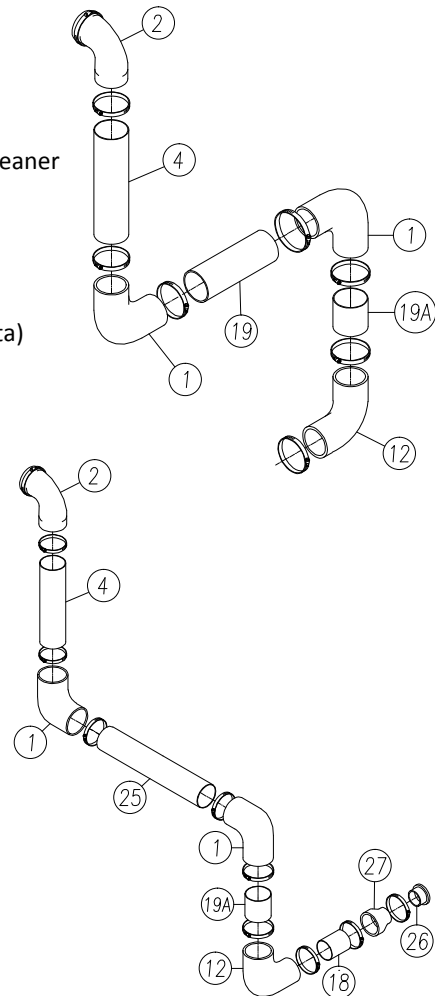
JOHN DEERE

CUMMINS

KUBOTA

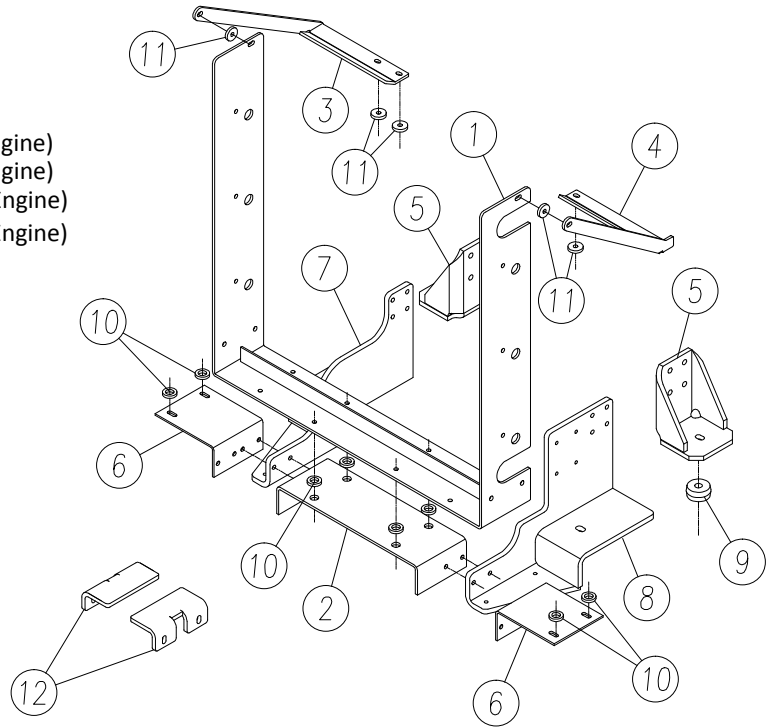
### Engine Air Cleaner Assembly

| Item | Part No.       | Description   |
|------|----------------|---|
| 1    | 01-50000-042B  | Air Intake 3" X 3" X 90 Rubber Elbow (Short)                  |
| 2    | 01-50000-043B  | Air Intake 4" X 3" X 90 Rubber Elbow                          |
| 3    | 01-50000-044B  | Air Intake Pre-Cleaner - 4" Pipe                              |
| 4    |                | Air Cleaner Tube (Cummins & Kubota) 3" X 11"                  |
| 5    | 01-50000-046B  | Air Cleaner Assembly  |
| 6    | 01-50000-047B  | Air Cleaner Band Clamp  |
| 7    | 01-50000-048   | Air Cleaner Service Indicator                                 |
| 8    | 01-82000-000B  | Air Cleaner Extension (Complete) Does Not Include Pre-Cleaner |
| 9    | 01-82000-001   | Air Cleaner Extension Rubber Adapter Clamp                    |
|      | 01-82000-001B  | 4" X 4.5" Hump Hose   |
| 10   | 01-82000-003B  | Air Cleaner - Extension Tube 4"                               |
| 11   | 01-82000-010   | Air Cleaner - Extension Brace 4"                              |
| 11A  | 01-82000-015   | Air Cleaner - Extension Brace 4"                              |
| 12   | 02-50000-041   | Air Intake 2.5" X 3" X 90 Rubber Elbow (Cummins & Kubota)     |
| 13   | 01-71000-001   | Air Intake Pre-Cleaner - Skyclone (Optional)                  |
| 14   | 01-71000-002   | Air Intake Pre-Cleaner - Centri (Optional)                    |
| 15   | 01-71000-003   | 4" to 5" Adapter For Centri Pre-Cleaner                       |
| 16   | 01-50001-046B  | Filter (Outer)  |
| 17   | 01-50001-047B  | Filter (Inner)  |
| 18   |                | Air Intake Tube (Kubota) 2.5" X 3"                            |
| 19   |                | Air Intake Tube (Cummins) 3" X 16"                            |
| 19A  |                | Air Intake Tube (Cummins & Kubota) 3" X 3"                    |
| 20   | 01-71000-101   | Enginaire Pre-Cleaner - 4"                                    |
| 21   | 01-71000-102   | Enginaire 4" X 5" Adapter                                     |
| 22   | 01-82000-009   | Air Cleaner Intake Mount                                      |
| 23   | 01-50001-048B  | Dust Ejection Valve   |
| 24   | 01-50001-049B  | Air Cleaner End Cap (Does Not Include Item #23)               |
| 25   |                | Air Intake Tube (Kubota) 3" X 19"                             |
| 26   | 06-50000-041   | Air Intake Reducer Insert Sleeve - Kubota                     |
| 27   | 06-50000-042   | Air Intake Reducer Sleeve - Kubota                            |
| 28   | 02-30000-120T3 | Air Intake Tube - John Deere                                  |
| 29   | 02-50000-065T3 | Exhaust Clamp - 3"  |
| 30   | 01-50000-068B  | Muffler Hanger Strap  |



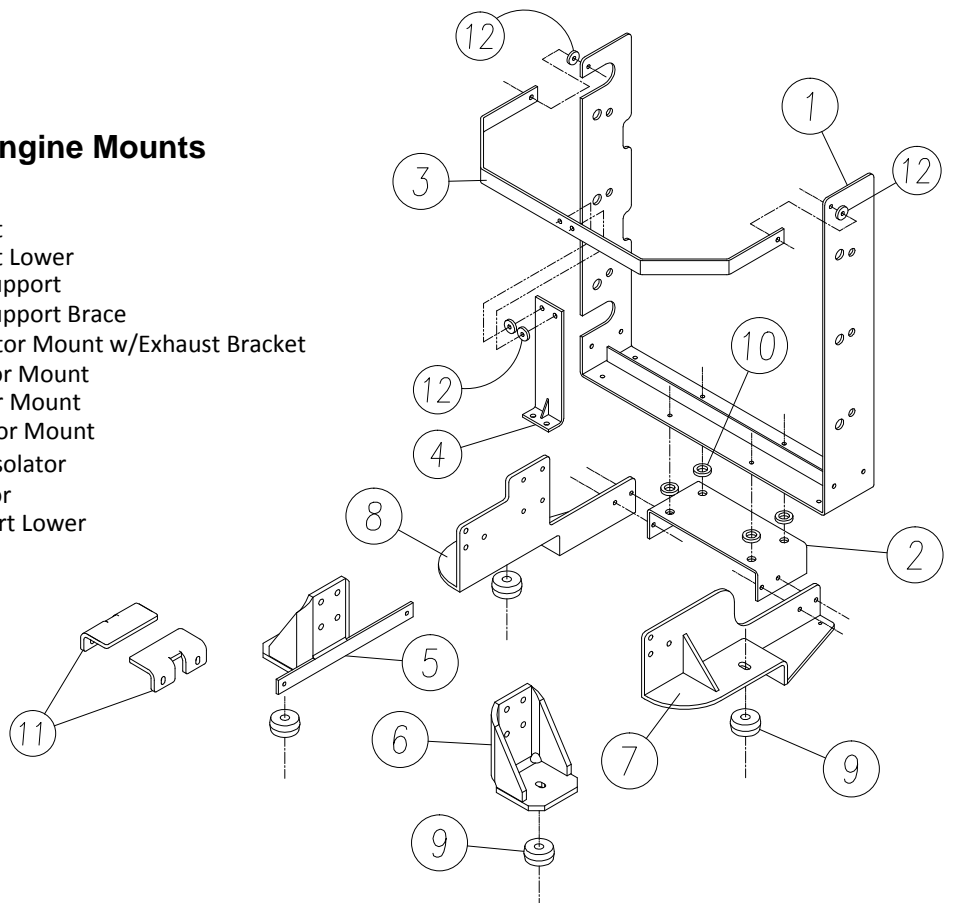
## Cummins Turbo / Radiator and Engine Mounts

| Item | Part No.                         | Description  |
|------|----------------------------------|--|
| 1    | 04-10000-010T3<br>01-10000-010   | Radiator Mount (T3 Engine)<br>Radiator Mount (T4 Engine)                         |
| 2    | 04-10000-011                     | Radiator Mount Lower   |
| 3    | 04-10000-014T3<br>04-10000-014T4 | Radiator Top Support Left (T3 Engine)<br>Radiator Top Support Left (T4 Engine)   |
| 4    | 04-10000-015T3<br>04-10000-015T4 | Radiator Top Support Right (T3 Engine)<br>Radiator Top Support Right (T4 Engine) |
| 5    | 14-11000-003                     | Front Motor Mount  |
| 6    | 03-10000-014                     | Radiator Mount Wing  |
| 7    | 14-11000-004                     | Left Rear Motor Mount  |
| 8    | 14-11000-005                     | Right Rear Motor Mount   |
| 9    | 01-50000-058                     | Motor Mount Isolator   |
| 10   | 01-50000-062                     | Radiator Isolator  |
| 11   | 01-50000-067                     | Rubber Isolator  |
| 12   | 01-10000-111                     | Radiator Support Lower   |



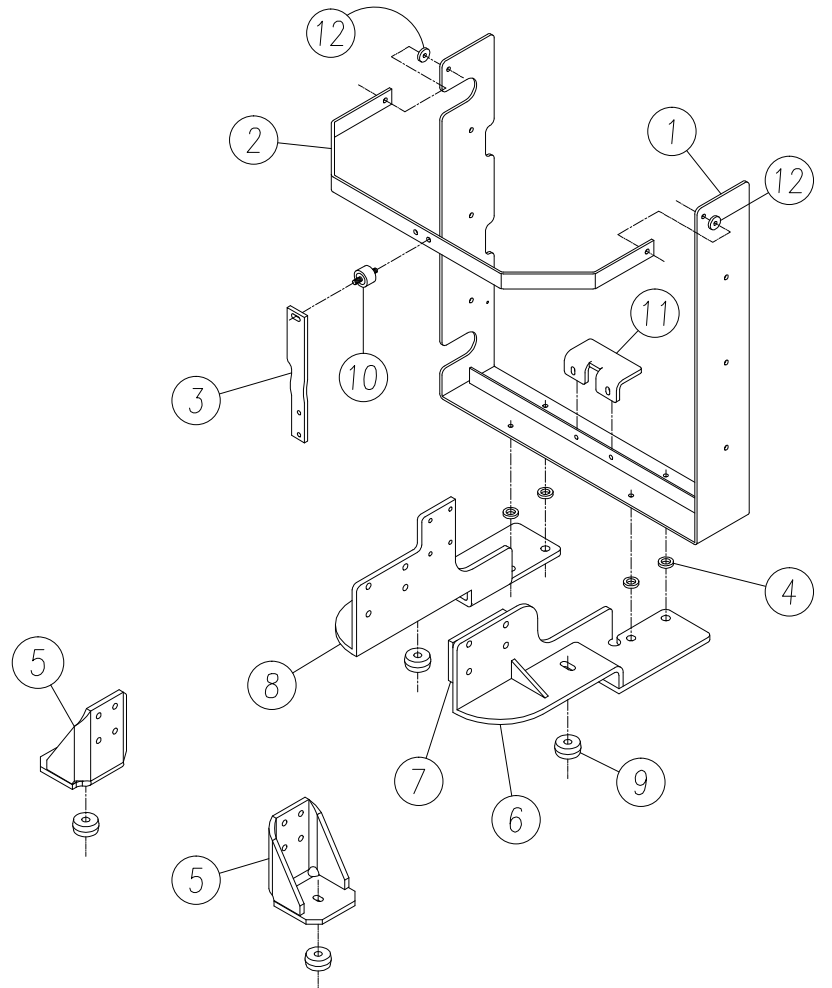
## John Deere / Radiator and Engine Mounts

| Item | Part No.     | Description                               |
|------|--------------|---|
| 1    | 01-10000-010 | Radiator Mount                            |
| 2    | 03-10000-011 | Radiator Mount Lower                      |
| 3    | 02-10000-012 | Radiator Top Support                      |
| 4    | 02-10000-013 | Radiator Top Support Brace                |
| 5    | 14-11000-003 | Right Front Motor Mount w/Exhaust Bracket |
| 6    | 14-11000-003 | Left Front Motor Mount                    |
| 7    | 12-11000-004 | Left Rear Motor Mount                     |
| 8    | 12-11000-005 | Right Rear Motor Mount                    |
| 9    | 01-50000-058 | Motor Mount Isolator                      |
| 10   | 01-50000-062 | Radiator Isolator                         |
| 11   | 01-10000-111 | Radiator Support Lower                    |
| 12   | 01-50000-067 | Rubber Isolator                           |



# Kubota Radiator and Engine Mounts

| Item | Part No.      | Description                |
|------|---------------|----------------------------|
| 1    | 06-10000-010  | Radiator Mount             |
| 2    | 02-10000-012  | Radiator Top Support       |
| 3    | 06-10000-013B | Radiator To Motor Mount    |
| 4    | 01-50000-062  | Radiator Isolator          |
| 5    | 14-11000-003  | Front Motor Mount          |
| * 6  | 16-11000-004  | Left Rear Motor Mount      |
| * 7  | 06-11000-004B | Engine Mount Spacer        |
| 8    | 16-11000-005  | Right Rear Motor Mount     |
| 9    | 01-50000-058  | Motor Mount Isolator       |
| 10   | 06-50000-062  | Kubota Stud Mount Isolator |
| 11   | 01-10000-111  | Radiator Support Lower     |
| 12   | 01-50000-067  | Rubber Isolator            |

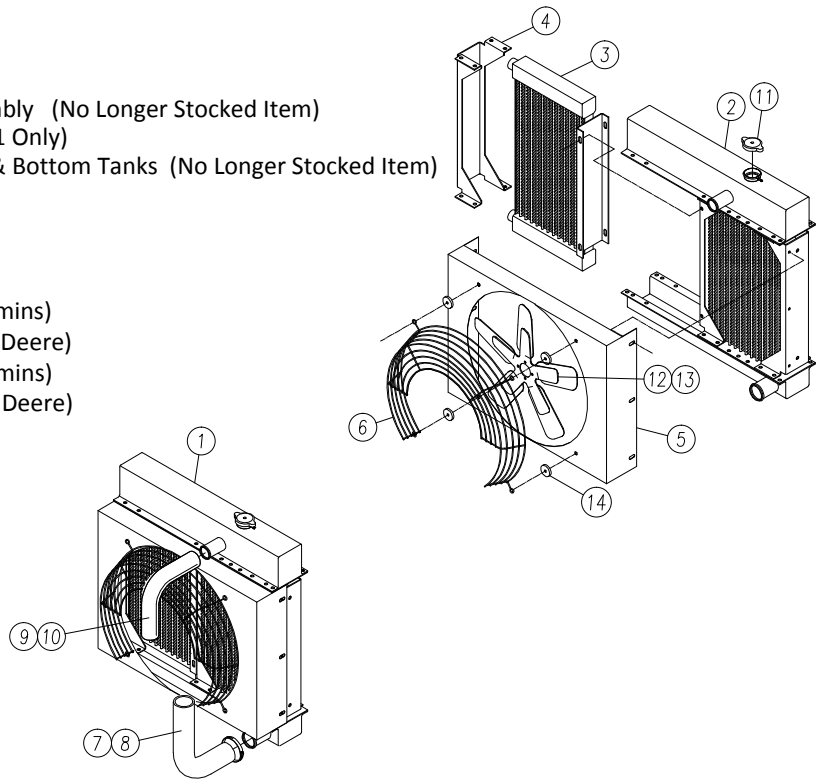


\* - Sold Together



## Radiator & Oil Cooler Assembly All Tier II & All John Deere

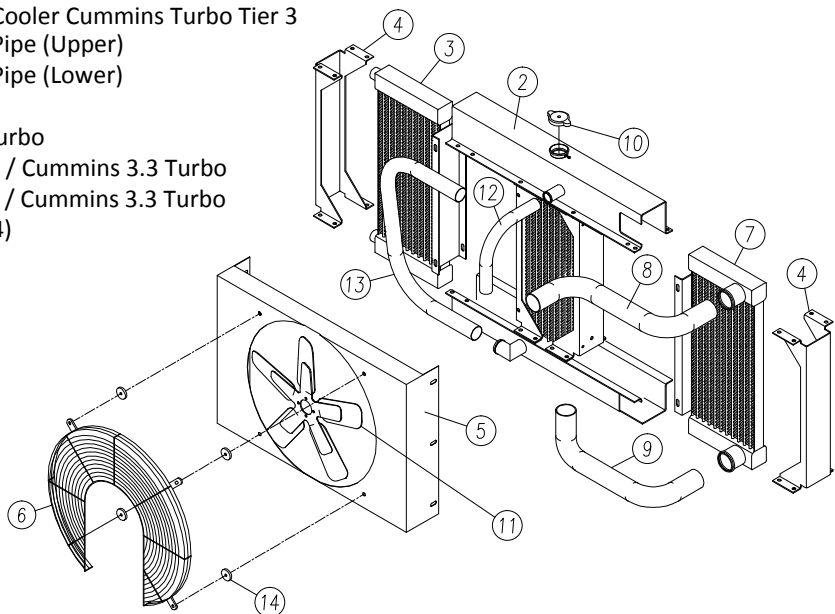
| Item | Part No.     | Description   |
|------|--------------|---|
| * 1  | 01-50000-060 | Radiator / Oil Cooler Assembly (No Longer Stocked Item)<br>Includes Items (2,3,4,5 & 11 Only) |
| 2    | 01-50001-060 | Radiator Assembly w/Top & Bottom Tanks (No Longer Stocked Item)                               |
| 3    | 01-50001-061 | Oil Cooler  |
| 4    | 01-50001-062 | Oil Cooler Retainer Frame   |
| 5    | 01-50001-063 | Fan Shroud  |
| 6    | 01-50001-064 | Fan Guard   |
| 7    | 03-50000-512 | Radiator Hose Lower (Cummins)   |
| 8    | 02-50000-613 | Radiator Hose Lower (John Deere)  |
| 9    | 03-50000-513 | Radiator Hose Upper (Cummins)   |
| 10   | 02-50000-614 | Radiator Hose Upper (John Deere)  |
| 11   | 01-50001-065 | Radiator Cap  |
| 12   | 02-50000-605 | Fan (John Deere)  |
| 13   | 03-50000-502 | Fan (Cummins 4.5)   |
| 14   | 01-50001-067 | Fan Guard Bushing (4)   |



\* - 01-50000-060 Can Be Replaced With Slight Modifications w/ 01-50000-060T4B

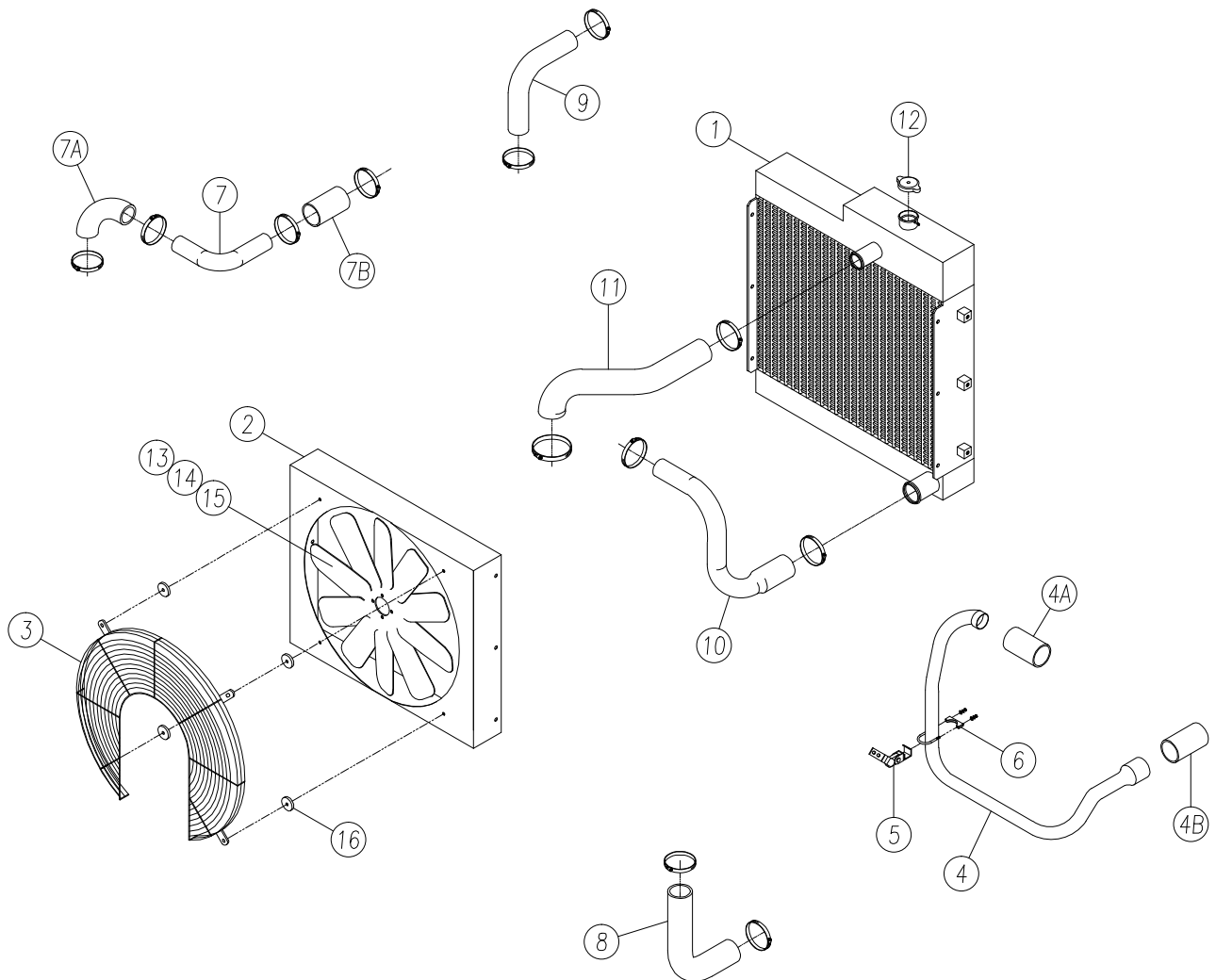
## Radiator & Oil Cooler Assembly Cummins Tier III Only

| Item | Part No.       | Description                                     |
|------|----------------|---|
| 1    | 04-50000-060T3 | Radiator / Oil Cooler Assembly w/ Fan & Shroud  |
| 2    | 04-50001-060T3 | Radiator Assembly w/ Top & Bottom Tanks         |
| 3    | 04-50001-061T3 | Oil Cooler                                      |
| 4    |                | Oil Cooler Retainer Frame                       |
| 5    |                | Fan Shroud                                      |
| 6    | 01-50001-064CT | Fan Guard / Cummins 3.3 Turbo                   |
| 7    | 04-50000-050T3 | Radiator Charge Air Cooler Cummins Turbo Tier 3 |
| 8    | 04-50001-161T3 | Radiator Charge Air Pipe (Upper)                |
| 9    | 04-50001-162T3 | Radiator Charge Air Pipe (Lower)                |
| 10   | 01-50001-065   | Radiator Cap                                    |
| 11   | 04-50000-502   | Fan / Cummins 3.3 Turbo                         |
| 12   | 04-50000-513T3 | Radiator Hose Upper / Cummins 3.3 Turbo         |
| 13   | 04-50000-512T3 | Radiator Hose Lower / Cummins 3.3 Turbo         |
| 14   | 01-50001-067   | Fan Guard Bushing (4)                           |



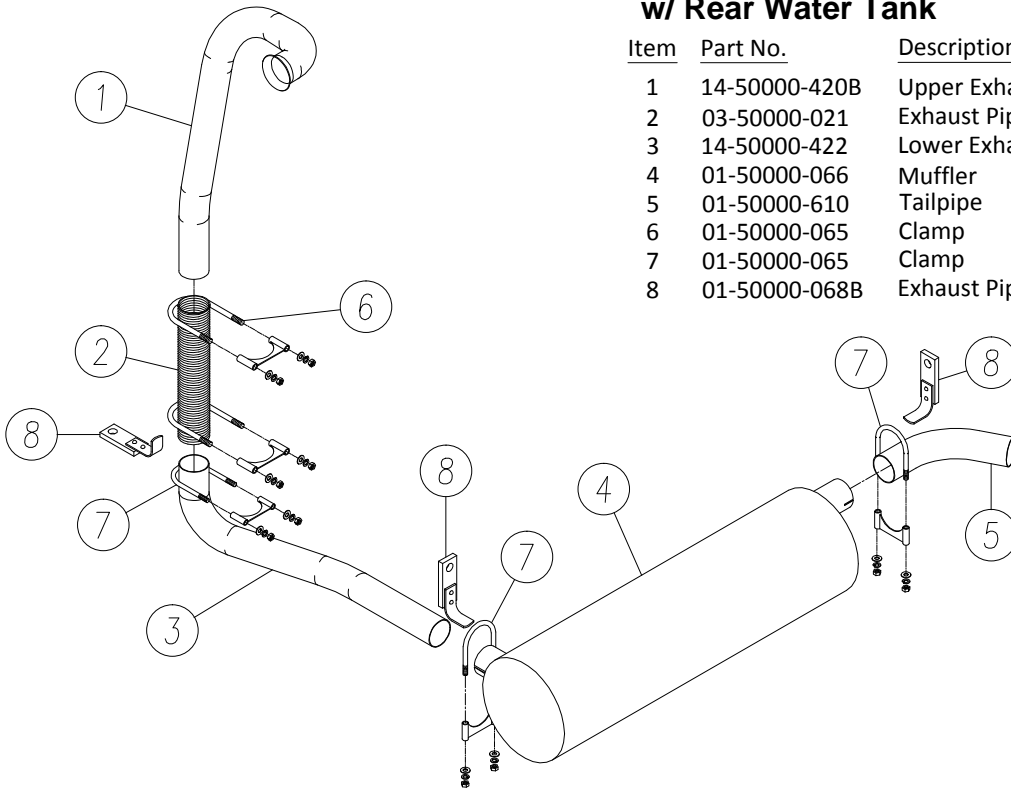
## Cummins 3.3L Turbo Tier IV, John Deere, & Kubota Radiator & Oil Cooler Assembly

| Item | Part No.        | Description  |
|------|-----------------|--|
| 1    | 01-50000-060T4B | Radiator   |
| 2    | 01-50001-063B   | Fan Shroud   |
| 3    | 01-50001-064CT  | Fan Guard  |
| 4    | 04-50000-512    | Radiator Tube Lower (Cummins) - (Includes 4A & 4B) |
| 5    | 04-50000-511    | Universal Hanger (Cummins)                         |
| 6    | 04-50000-065    | Radiator Tube Pipe Clamp (Cummins)                 |
| 7    | 04-50000-513    | Radiator Tube Upper (Cummins) - (Includes 7A & 7B) |
| 8    | 02-50000-613    | Radiator Hose Lower (John Deere)                   |
| 9    | 02-50000-614    | Radiator Hose Upper (John Deere)                   |
| 10   | 06-50000-613    | Radiator Hose Lower (Kubota)                       |
| 11   | 06-50000-519    | Radiator Hose Upper (Kubota)                       |
| 12   | 01-50001-065C   | Radiator Cap                                       |
| 13   | 02-50000-605    | Fan (John Deere)                                   |
| 14   | 06-50000-605    | Fan (Kubota)                                       |
| 15   | 04-50000-502    | Fan (Cummins 3.3 - 21")                            |
| 16   | 01-50001-067    | Fan Guard Bushing (4)                              |



### Cummins Turbo / Muffler & Components w/ Rear Water Tank

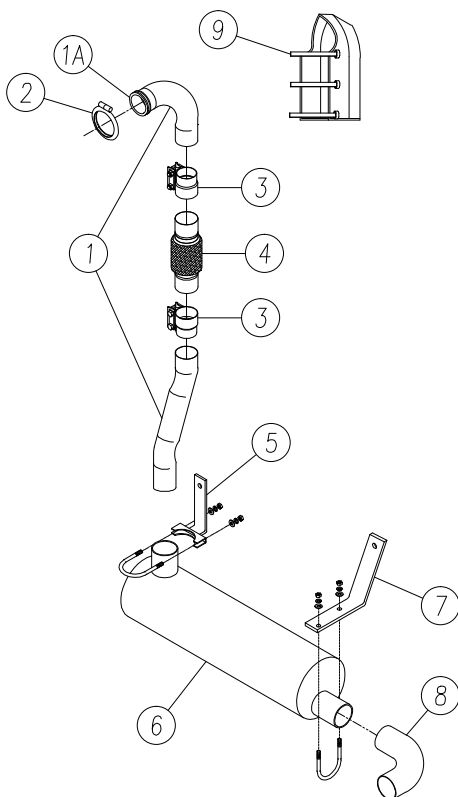
| Item | Part No.      | Description                  |
|------|---------------|------------------------------|
| 1    | 14-50000-420B | Upper Exhaust Pipe           |
| 2    | 03-50000-021  | Exhaust Pipe (Flex Pipe)     |
| 3    | 14-50000-422  | Lower Exhaust Pipe (Exhaust) |
| 4    | 01-50000-066  | Muffler                      |
| 5    | 01-50000-610  | Tailpipe                     |
| 6    | 01-50000-065  | Clamp                        |
| 7    | 01-50000-065  | Clamp                        |
| 8    | 01-50000-068B | Exhaust Pipe Hanger          |



### Cummins Turbo / Muffler & Components w/ Side Water Tanks

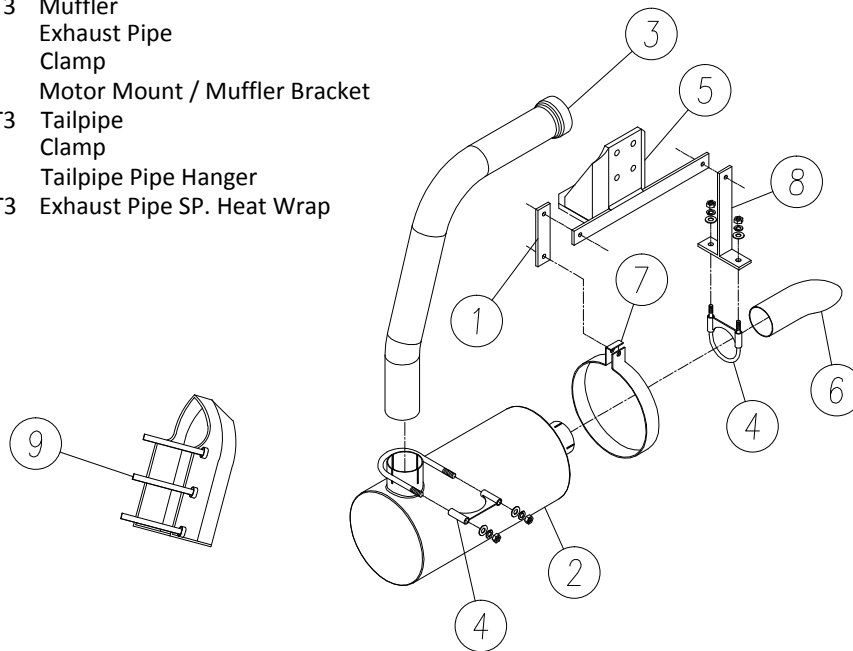
| Item | Part No.       | Description                        |
|------|----------------|------------------------------------|
| * 1  | 14-50000-620   | Exhaust Pipe                       |
| * 1A | 04-50001-510   | Cummins 3.3T Exhaust Flange        |
| 2    | 04-50001-065   | Cummins Turbo Exhaust Flange Clamp |
| 3    | 04-50000-523   | Clamp                              |
| 4    | 04-50000-522   | Flex Bellows Coupler               |
| 5    | 14-50000-619   | Muffler Bracket w/ U-Bolt          |
| 6    | 01-50000-066   | Muffler                            |
| 7    | 14-50000-618   | Tailpipe Bracket w/ U-Bolt         |
| 8    | 01-50000-610   | Tailpipe                           |
| 9    | 02-30000-035T3 | Exhaust Pipe SP. Heat Wrap         |

\* - Sold Together



## John Deere Muffler & Components

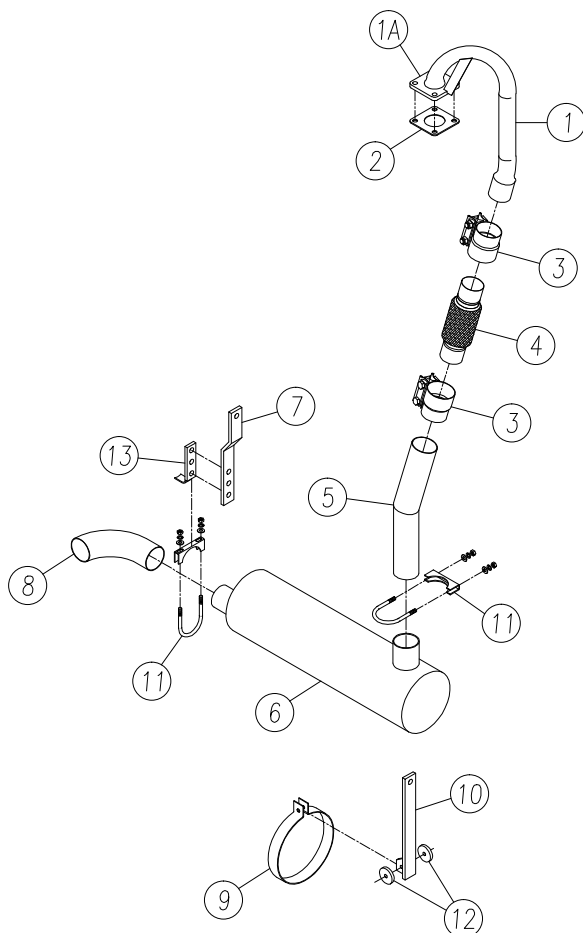
| Item | Part No.       | Description                   |
|------|----------------|-------------------------------|
| 1    |                | Hanger Strap                  |
| 2    | 02-50000-066T3 | Muffler                       |
| 3    | 12-50000-520   | Exhaust Pipe                  |
| 4    | 01-50000-065   | Clamp                         |
| 5    | 14-11000-003   | Motor Mount / Muffler Bracket |
| 6    | 02-50000-610T3 | Tailpipe                      |
| 7    | 02-50000-068   | Clamp                         |
| 8    |                | Tailpipe Pipe Hanger          |
| 9    | 02-30000-035T3 | Exhaust Pipe SP. Heat Wrap    |

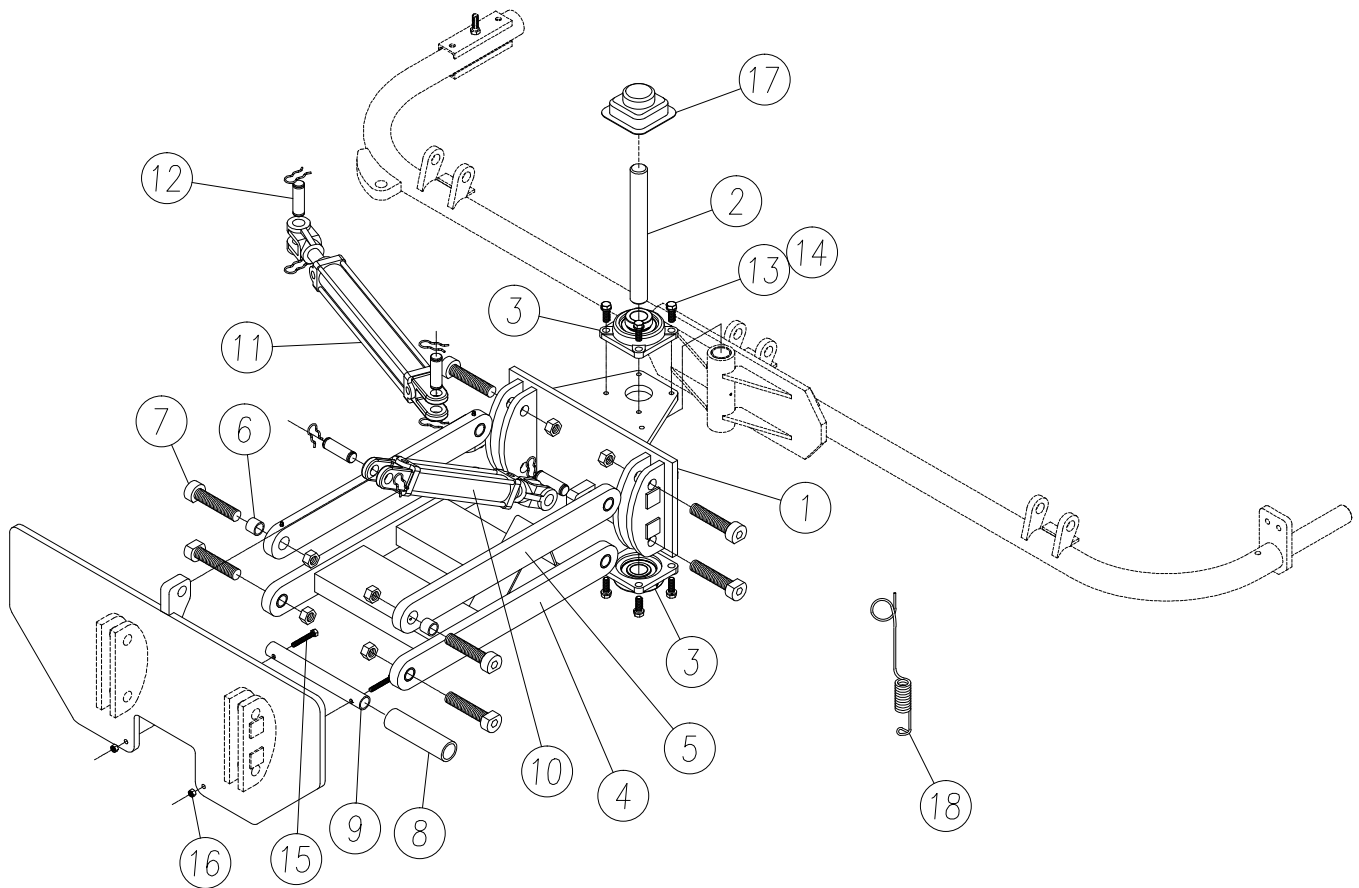


## Kubota Muffler & Components

| Item | Part No.      | Description            |
|------|---------------|------------------------|
| * 1  | 16-50000-520  | Exhaust Pipe           |
| * 1A | 06-50001-510  | Exhaust Flange         |
| 2    | 06-50001-511  | Exhaust Gasket         |
| 3    | 04-50000-523  | Clamp                  |
| 4    | 04-50000-524  | Flex Bellows Coupler   |
| 5    | 03-50000-522  | Exhaust Pipe Extension |
| 6    | 01-50000-066  | Muffler                |
| 7    | 16-50000-521  | Tailpipe Bracket       |
| 8    | 01-50000-610  | Tailpipe               |
| 9    | 16-50000-068  | Muffler Exhaust Clamp  |
| 10   | 16-50000-522  | Muffler Bracket        |
| 11   | 01-50000-065  | Exhaust Pipe Clamp     |
| 12   | 01-50000-067  | Rubber Isolator        |
| 13   | 01-50000-068B | Exhaust Pipe Hanger    |

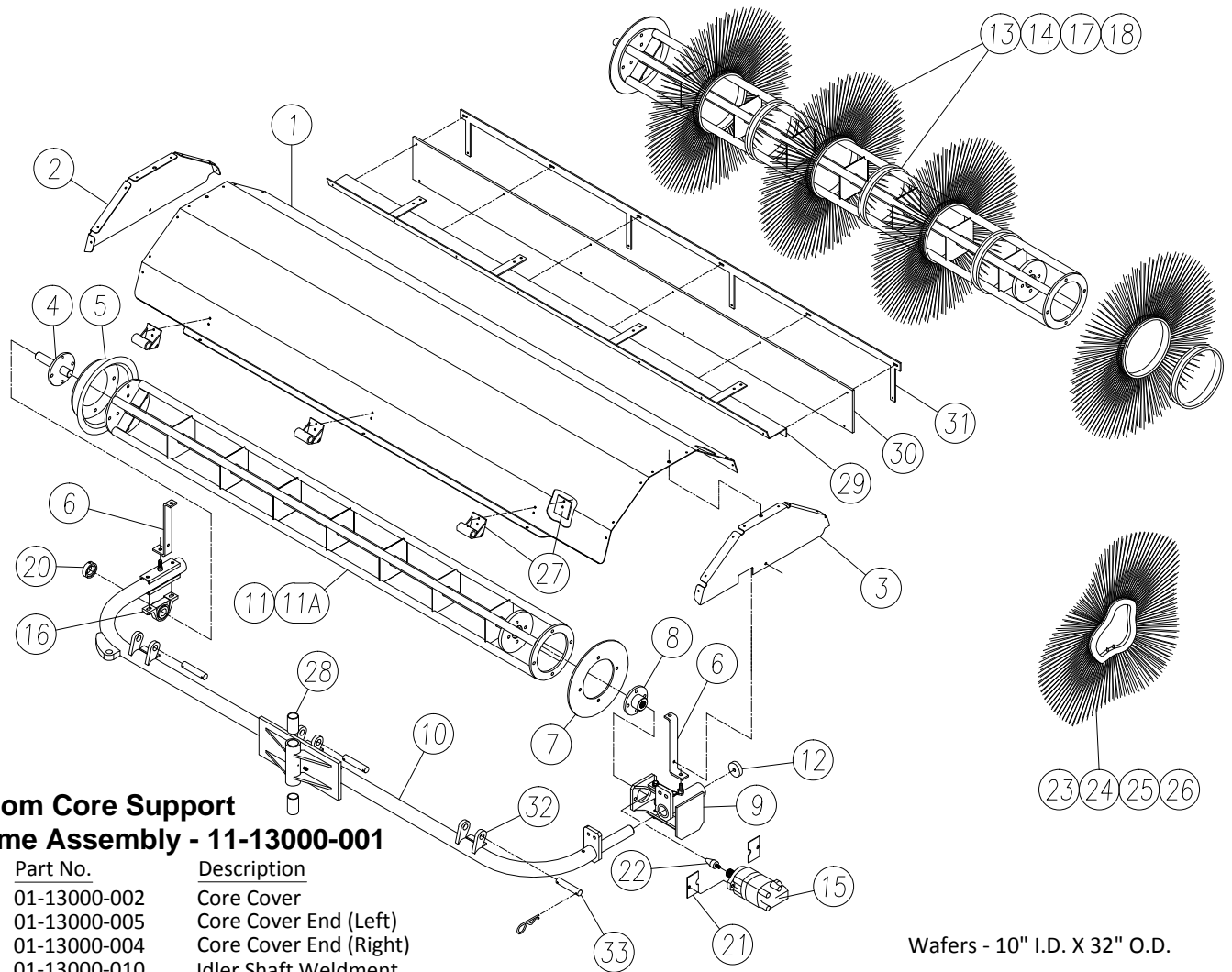
\* - Sold Together





## Broom Core Lift Assembly

| Item | Part No.      | Description                              |
|------|---------------|--|
| 1    | 11-15000-001  | Core Frame Pivot Mount Weldment          |
| 2    | 11-13000-031  | Core Frame Pivot Shaft                   |
| 3    | 11-13000-035  | Pivot Bearing (2 Req'd)                  |
| 4    | 11-15000-300  | Lower Lift Arm Assembly w/ Bushings      |
| 5    | 11-15000-302  | Upper Lift Arm w/ Bushing                |
| 6    | 11-15000-304  | Lift Arm Bushing                         |
| 7    | 11-15000-306B | Lift Arm Shoulder Bolt                   |
| 8    | 11-11000-255  | Hose Roller                              |
| 9    | 11-11000-250  | Hose Roller Shaft                        |
| 10   | 11-50000-036  | 2" X 12" Hydraulic Cylinder              |
| 11   | 01-50000-033  | 2" X 16" Hydraulic Cylinder              |
| 12   | 01-15000-005  | 1" Cylinder Pin w/ Retainer Clip         |
| 13   |               | 1/2" X 1-1/2" HHCS                       |
| 14   |               | 1/2" Lock Washer                         |
| 15   |               | 3/8" X 2-1/2" HHCS                       |
| 16   |               | 3/8" Hex Nut                             |
| 17   | 11-13001-135  | Pivot Bearing Cover                      |
| 18   | 11-13000-036  | Core Pivot Hose Support                  |
| 19   | 11-13000-032  | Pivot Shaft Spacer (2 Req'd) (Not Shown) |

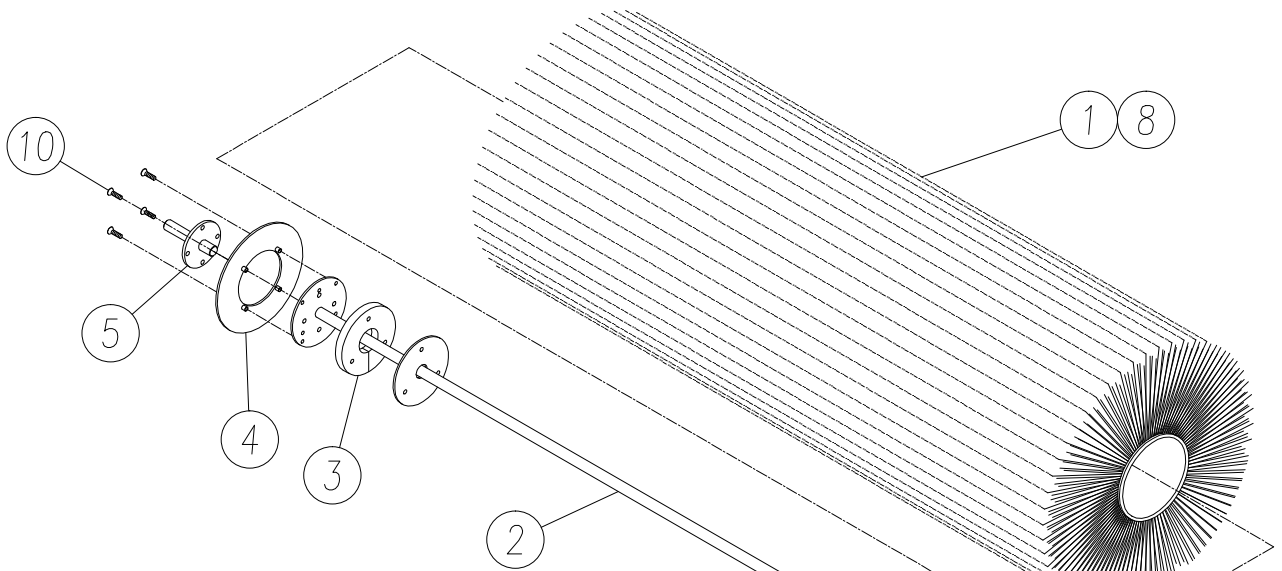


Wafers - 10" I.D. X 32" O.D.

**Broom Core Support  
Frame Assembly - 11-13000-001**

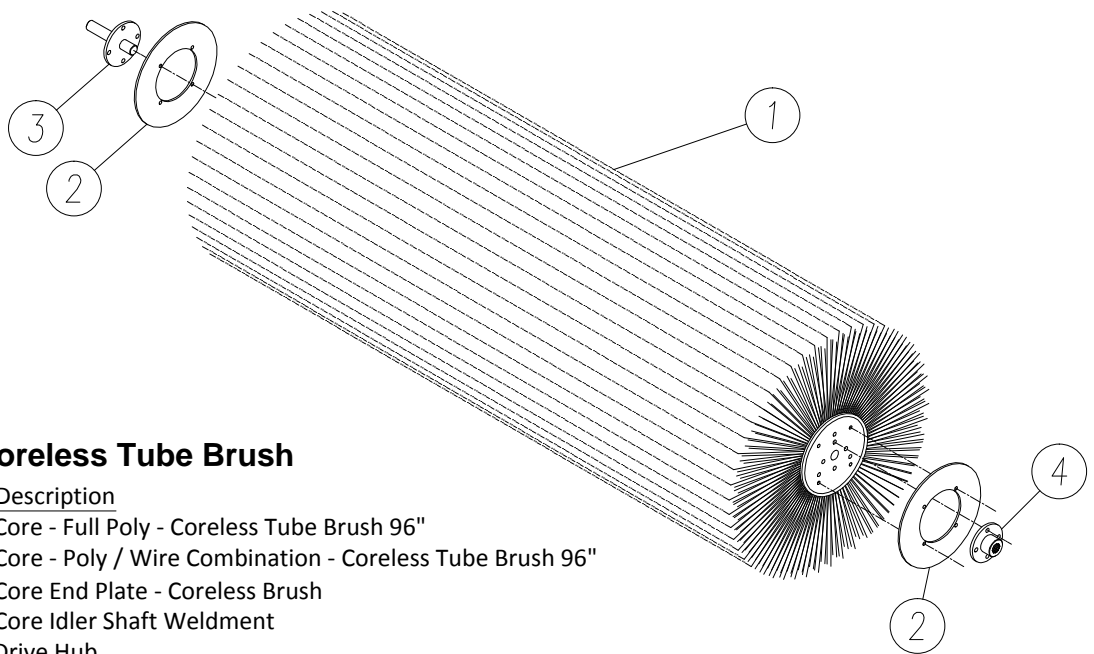
| Item | Part No.        | Description   |
|------|-----------------|---|
| 1    | 01-13000-002    | Core Cover  |
| 2    | 01-13000-005    | Core Cover End (Left)   |
| 3    | 01-13000-004    | Core Cover End (Right)  |
| 4    | 01-13000-010    | Idler Shaft Weldment  |
| 5    | 01-13000-010-10 | Idler Shaft Weldment - 10"                                    |
| 6    | 01-13000-030    | Core End Cap (Left)   |
| 7    | 01-13000-006    | Core End Plate (Right)  |
| 8    | 01-13000-007    | Drive Hub   |
| 9    | 01-13000-200    | Motor Mount (Core Drive)                                      |
| 10   | 11-13000-100    | Core Support Frame (Includes Items #28)                       |
| 11   | 01-13000-300    | Core Frame  |
| 11A  | 01-13000-300AS  | Core Frame Assembly (Includes 4,5,7,8,11 & Hardware)          |
| 12   | 01-13000-028    | Retainer Washer   |
| 13   | 01-78000-001    | Individual Poly Wafer (Includes Spacer)                       |
| 14   | 01-78000-101    | Individual Wire Wafer (Includes Spacer)                       |
| 15   | 01-50600-001B   | Hydraulic Core Motor  |
| 16   | 01-50000-035    | 1.25" Pillow Block Bearing (Includes Part No. 01-50001-035)   |
| 17   | 01-78000-000    | Poly Wafer Set (Includes Spacers) (56 Per Set)                |
| 18   | 01-78000-100    | 1/2 & 1/2 Wafer Set (Includes Spacers) (56 Per Set)           |
| 19   | SK61258         | Brush Motor Seal Kit (Seal Kit For 01-50600-001) (Not Shown)  |
| 19A  | SK35535501      | Brush Motor Seal Kit (Seal Kit For 01-50600-001B) (Not Shown) |
| 20   | 01-50001-035    | Lock Collar (For Pillow Block Bearing)                        |
| 21   | 01-13000-045    | Core Motor Shaft Guard (2 Req'd)                              |
| 22   | 01-13000-107    | Core Motor Mounting Pin                                       |
| 23   | 01-78000-301    | Individual Convoluted Poly Wafer                              |
| 24   | 01-78000-302    | Individual Convoluted Wire Wafer                              |
| 25   | 01-78000-300    | Convoluted Poly Wafer Set (48 Per Set)                        |
| 26   | 01-78000-310    | Convoluted 1/2 & 1/2 Wafer Set (48 Per Set)                   |
| 27   | 11-13000-206    | Broom Cover Hinge w/ Backing Plate (3 Req'd)                  |
| 28   | 11-13000-205    | Core Frame Pivot Bushing (Included With Item #10)             |
| 29   | 11-13000-103    | Rock Deflector Bracket  |
| 30   | 11-50000-108    | Rock Guard Rubber   |
| 31   | 11-30000-061    | Rock Guard Rubber Support Strap                               |
| 32   | 11-13000-102    | FB-Core Cover Hinge Lug (6 Req'd)                             |
| 33   | 01-13000-031    | Core Pin (3 Req'd)  |

**Broom Core Support  
Frame Assembly - 11-13000-001**  
Includes Items: 1, 2, 3, 6, 9, 10, 12, 21, 27, 28, 32, & 33



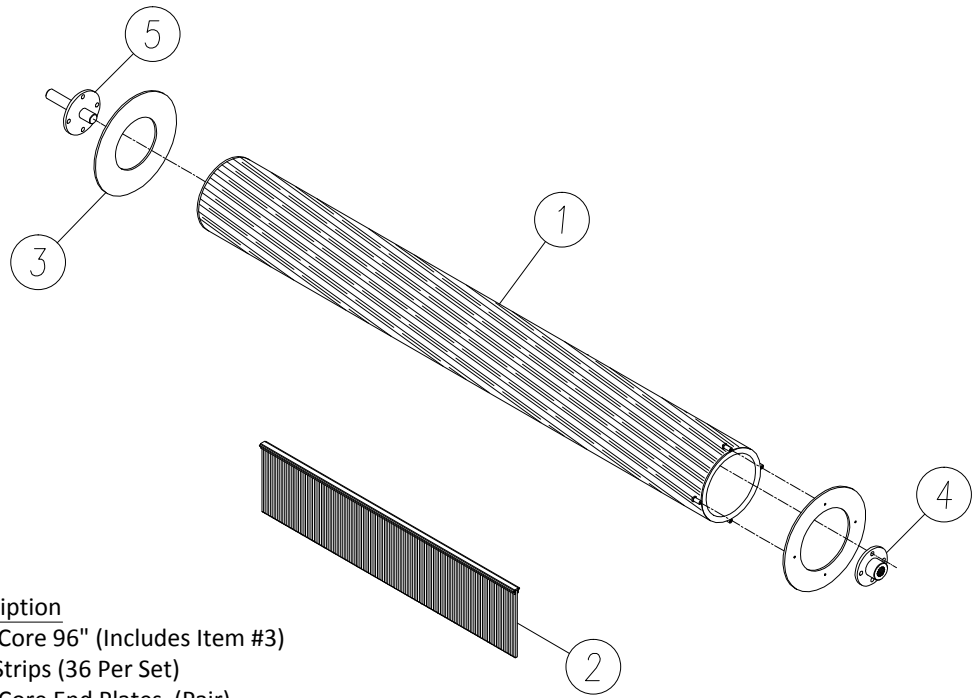
### One Piece Poly Broom Core

| Item | Part No.        | Description  |
|------|-----------------|--|
| 1    | 01-78000-201/96 | Poly Tube Core Brush 96"                                       |
|      | 01-78000-201/90 | Poly Tube Core Brush 90" (Non-Stock Item)                      |
| 2    | 01-78000-202/96 | Compression Core (Complete For 96" Core)                       |
|      | 01-78000-202/90 | Compression Core (Complete For 90" Core) (Non-Stock Item)      |
| 3    | 01-78000-205    | Compression Disc - Rubber (2 Req'd)                            |
| 4    | 01-78000-203    | Brush Retainer Ring  |
| 5    | 01-13000-010    | Idler Shaft Weldment (96" Core)                                |
|      | 01-13000-010-10 | Idler Shaft Weldment (90" Core)                                |
| 6    | 01-78000-204    | Brush Retainer Ring (Drive End For 96" Core)                   |
|      | 01-78000-204/90 | Brush Retainer Ring (Drive End For 90" Core)                   |
| 7    | 01-13000-007    | Drive Hub  |
| 8    | 01-78000-211    | Poly / Wire Combination Brush 96"                              |
|      | 01-78000-211/90 | Poly / Wire Combination Brush 90" (Non-Stock Item)             |
| 9    | 01-78000-214    | Compression Core Bolt Retaining Ring - Right End - 9-1/2" Long |
| 10   | 01-78000-213    | Compression Core Bolt Retaining Ring - Left End - Countersunk  |



### Superior Broom Coreless Tube Brush

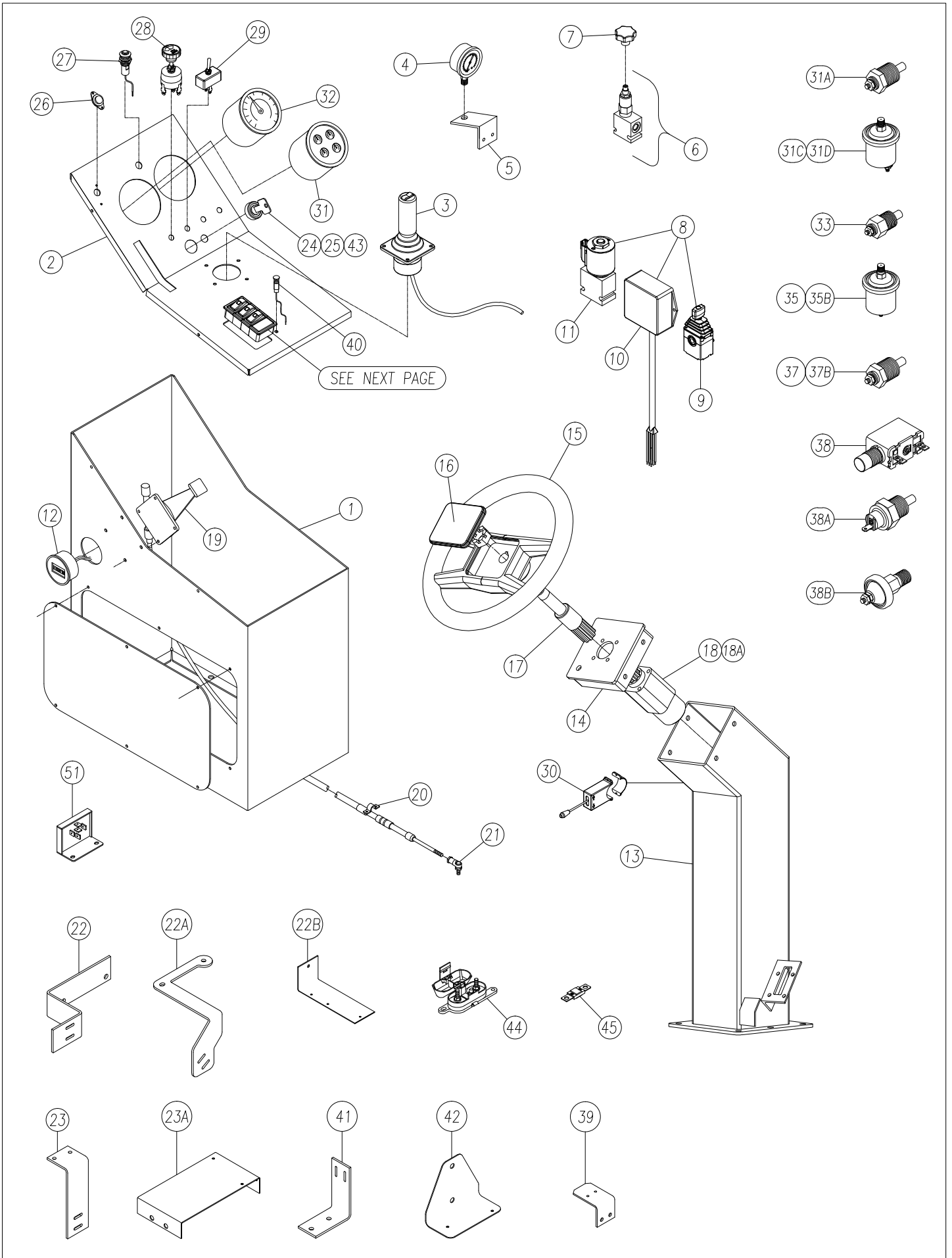
| Item | Part No.     | Description  |
|------|--------------|--|
| 1    | 01-78000-800 | Core - Full Poly - Coreless Tube Brush 96"               |
|      | 01-78000-810 | Core - Poly / Wire Combination - Coreless Tube Brush 96" |
| 2    | 01-13000-806 | Core End Plate - Coreless Brush                          |
| 3    | 01-13000-010 | Core Idler Shaft Weldment                                |
| 4    | 01-13000-007 | Drive Hub  |



## Strip Brush

| Item | Part No.        | Description                       |
|------|-----------------|-----------------------------------|
| 1    | 01-78000-401/96 | Strip Core 96" (Includes Item #3) |
| 2    | 01-78000-402/96 | Poly Strips (36 Per Set)          |
| 3    | 01-78000-403    | Strip Core End Plates (Pair)      |
| 4    | 01-13000-007    | Drive Hub                         |
| 5    | 01-13000-010    | Core Idler Shaft Weldment         |

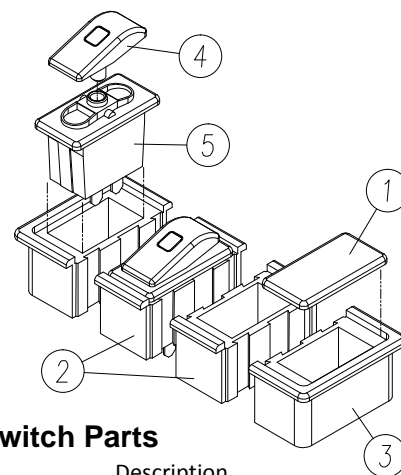




## Control Console

| Item | Part No.         | Description   |
|------|------------------|---|
| 1    | 01-17000-001     | Console Unit (Includes Base & Side Panel)   |
| 2    | 01-17000-005T2R4 | Console Top Panel *   |
| 3    | 11-50800-015JS   | FB - Brush Control Joystick   |
| 4    | 01-93000-001     | Hyd. Down Pressure Gauge  |
| 5    | 01-50600-026     | Down Pressure Gauge Bracket   |
| 6    | 11-50800-054     | FB - Float / Relief Valve Assembly (Serial # 915216 & Below)  |
| 7    | 11-50800-318     | FB - Float / Relief Valve Adjustment Knob (Serial # 915216 & Below)                                 |
| 8    | 11-50800-074     | FB - Down Pressure Assembly (Includes Toggle, Control Box, & Valve Assembly) (Serial # 915217 & Up) |
| 9    | 11-50800-074T    | FB - Down Pressure Toggle (Serial # 915217 & Up)  |
| 10   | 11-50800-074C    | FB - Down Pressure Control Box (Serial # 915217 & Up)   |
| 11   | 11-50800-074V    | FB - Down Pressure Valve Assembly (Includes Coil, Valve, & Valve Body) (Serial # 915217 & Up)       |
| 12   | 01-50000-078     | Hour Meter  |
| 13   | 01-17100-001     | Steering Column   |
| 14   | 01-17100-005     | Steering Column Cap   |
| 15   | 01-50000-097     | Steering Wheel  |
| 16   | 01-50000-098     | Steering Wheel Cover  |
| 17   | 01-50600-010     | Steering Column   |
| 18   | 01-50600-011     | Hydraulic Steering Unit   |
| 18A  | SK9900252-000    | Hydraulic Steering Unit Seal Kit (Not Shown) (Non-Stock Item)                                       |
| 19   | 01-50000-104     | Throttle Lever Assembly w/ Cable  |
| 20   | 01-50000-105     | Throttle Cable Clamp  |
| 21   | 01-50000-631     | Throttle Cable Rod End Connector  |
| 22   | 02-11000-025     | Throttle Cable Bracket (John Deere)   |
| 22A  | 02-11000-025T3   | Throttle Cable Bracket (John Deere) - Tier 3  |
| 22B  | 02-51000-005     | John Deere Main Fuse Bracket  |
| 23   | 04-11000-025     | Throttle Cable Bracket (Cummins Turbo)  |
| 23A  | 04-51000-005     | Cummins Main Fuse Holder Bracket  |
| 24   | 02-50000-503     | Ignition Switch (John Deere)  |
|      | JD KEY           | John Deere Ignition Key   |
| 25   | 03-50000-503     | Ignition Switch (Cummins)   |
|      | CUMMINS KEY      | Cummins & Cummins Turbo Ignition Key  |
| 26   | 01-51000-039     | Horn Button   |
| 27   | 01-50000-030     | Park Brake Light  |
| 28   | 01-16000-013     | Wiper Switch  |
| 29   | 01-84000-008     | Heater Switch   |
| 30   | 01-79000-010     | Turn Signal Switch  |
| 31   | 01-51000-015B    | Combo Gauge, Bede (Water Temp, Volt, Fuel, Oil Pressure 150 PSI)                                    |
| 31A  | 01-51000-017     | Water Temp Sender   |
| 31B  | 01-51000-018     | Fuel Gauge Sender (Not Shown) See Page 20   |
| 31C  | 01-51000-019     | Oil Pressure Sender - 80 psi  |
| 31D  | 01-51000-019B    | Oil Pressure Sender - 150 psi   |
| 32   | 01-51000-016     | Tachometer  |
| 33   | 01-73000-002     | Hydraulic Temp Gauge Sender   |
| 34   | 01-50000-080     | Oil Pressure Timer Relay (Not Shown)  |
| 34B  | 01-50000-080B    | Oil Pressure Timer Relay (Not Shown)  |
| 35   | 01-50000-081     | Oil Pressure Sender - 80 psi  |
| 35B  | 01-50000-081B    | Oil Pressure Sender - 100 psi   |
| 36   | 01-50000-082     | Hydraulic Temp Gauge (Not Shown)  |
| 37   | 01-50000-086     | Water Temperature Sender - 100-280 °F   |
| 37B  | 01-50000-086B    | Water Temperature Sender - 100-250 °F   |
| 38   | 01-51000-051     | Audio/Visual Engine Alarm   |
| 38A  | 01-51000-052     | Water Temperature Switch  |
| 38B  | 01-51000-053     | Oil Pressure Switch   |
| 39   | 03-11000-025     | Throttle Cable Bracket (Cummins 4.5)  |
| 40   | 01-51000-030     | Brush Speed Indicator Light   |
| 41   | 06-11000-025     | Throttle Bracket (Kubota)   |
| 42   | 06-51000-005     | Fuse Bracket Holder (Kubota)  |
| 43   | 06-50000-503     | Ignition Switch (Kubota)  |
|      | KUBOTA KEY       | Kubota Ignition Key   |
| 44   | FMG-211          | Fuse Holder   |
| 45   | 400A             | Fuse - Specify Size (400A, 250A, 150A, 125A)  |
| 46   | 01-50000-083     | Tachometer (Not Shown)  |
| 46B  | 01-50000-083B    | Tachometer (Not Shown)  |
| 47   | 01-50000-077     | Fuel Gauge (Not Shown)  |
| 47B  | 01-50000-077B    | Fuel Gauge (Not Shown)  |
| 48   | 01-50000-085     | Water Temp. Gauge (Not Shown) - 100-280 °F  |
| 48B  | 01-50000-085B    | Water Temp. Gauge (Not Shown) - 100-250 °F  |
| 49   | 01-50000-079     | Oil Pressure Gauge (Not Shown) - 80 psi   |
| 49B  | 01-50000-079B    | Oil Pressure Gauge (Not Shown) - 100 psi  |
| 50   | 01-50000-084     | Voltmeter (Not Shown)   |
| 50B  | 01-50000-084B    | Voltmeter (Not Shown)   |
| 51   | 11-51000-200     | Dump Valve Timer Relay  |

\* - Top Panel May Vary Due To Options - S/N Required



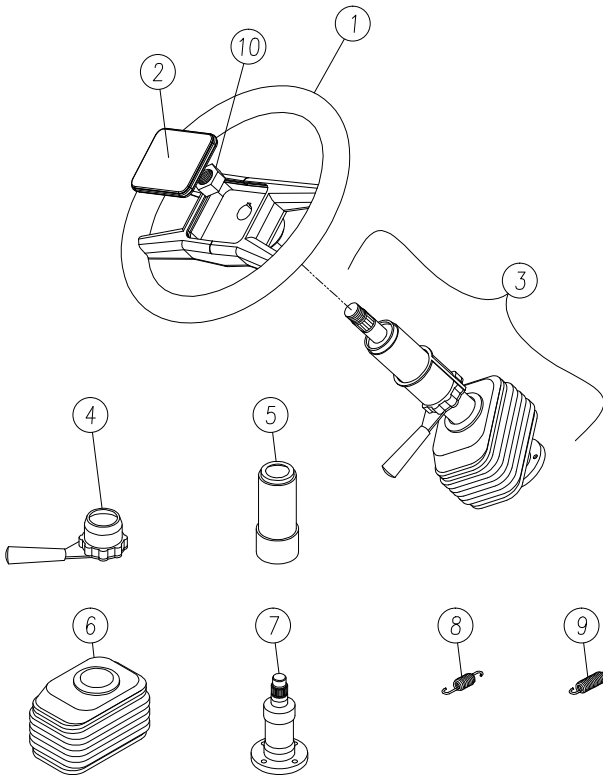
### Rocker Switch Parts

| Item | Part No.       | Description                     |
|------|----------------|---------------------------------|
| 1    | 01-50000-111B1 | Mounting Panel - Plug           |
| 2    | 01-50000-111B2 | Mounting Panel - Middle         |
| 3    | 01-50000-111B3 | Mounting Panel - End            |
| * 4  | 01-50000-111B4 | Switch Actuator                 |
| * 5  | 01-50000-111B5 | Switch Assembly (Less Actuator) |

\* - Typically Item #'s 4 & 5 Should Be Ordered Together

## Tilt Steering

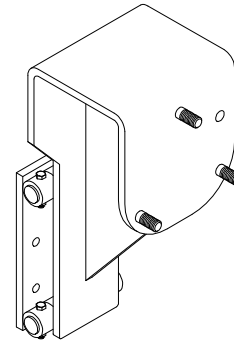
| Item | Part No.     | Description                      |
|------|--------------|----------------------------------|
| 1    | 01-50000-097 | Steering Wheel                   |
| 2    | 01-50000-098 | Steering Wheel Center            |
| 3    | 01-77000-001 | Telescopic Steering              |
| 4    | 01-77000-003 | Tilt Lock Lever                  |
| 5    | 01-77000-004 | Tilt Steering Sleeve             |
| 6    |              | Boot                             |
| 7    |              | Column Assembly                  |
| 8    | 01-77000-005 | Spring, Latch (2 Req'd)          |
| 9    | 01-77000-006 | Spring, Counterbalance (2 Req'd) |
| 10   | 01-78000-003 | Steering Wheel Nut               |



## Spare Tire Mount

Part Number 11-88000-001

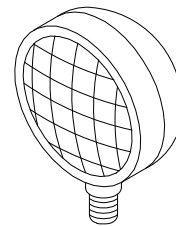
When Ordering, Please Indicate Intended Method Of Installation; Either Bolt-On Or Welding.



## Battery 12V

Part Number 01-50000-051  
950 CCA Battery

Battery Hold Down Bolts - Part Number 01-50000-052  
Battery Hold Down Strap - Part Number 01-50000-052B

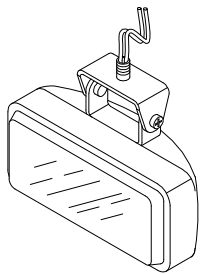


## Work Light - Halogen

Part Number 01-74000-001

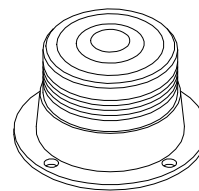
## Work Light Kit

Part Number BOM-01-74000-000  
(Specify Side or Rear)



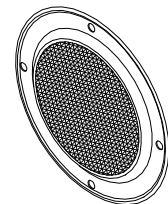
## Head Lamp / Driving Light

Part Number 01-79000-009



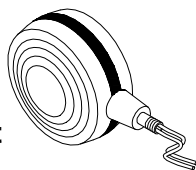
## Rotating Beacon

Part Number 01-80000-101



## Cover Reflector 4 1/4"

Part Number 01-18000-052



## Turn / Hazard Light

Part Number 01-79000-008

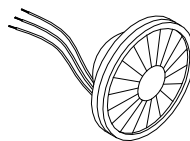
## Turn / Hazard Light LED

Part Number 01-79000-016

## Turn / Hazard Light Bracket

(Used With Cab)

Part Number 01-79000-108

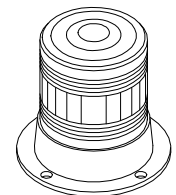


## Brake / Tail Light

Part Number 01-79000-003

## Brake / Tail Light LED

Part Number 01-79000-013

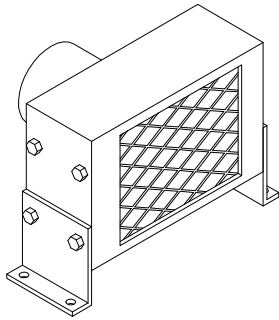


## Strobe Light

Part Number 01-80000-001

## Replacement Bulb with Circuit Board

Part Number 01-80000-003



**Cab Heater**

Part Number 01-84000-007

**Cab Heater Kit (Cummins)**

Part Number BOM-01-84000-000C  
Kit Includes Part #'s Listed Below

- 01-75000-006 1/2" Ball Valve
- 01-84000-003 5/8" Heater Hose
- 01-84000-007 Heater
- 01-84000-008 Heater Switch
- 01-84000-009 Coolant Hose
- 01-84000-010 Brass Hose Splice - 5/8"

**Cab Heater Kit (John Deere)**

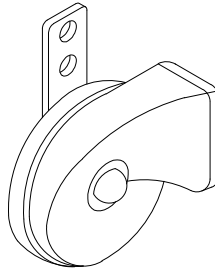
Part Number BOM-01-84000-000J  
Kit Includes Part #'s Listed Below

- 01-84000-001 Shut Off Valve
- 01-84000-003 5/8" Heater Hose
- 01-84000-007 Heater
- 01-84000-008 Heater Switch
- 01-84000-009 Coolant Hose
- 01-84000-010 Brass Hose Splice - 5/8"

**Cab Heater Kit (Kubota)**

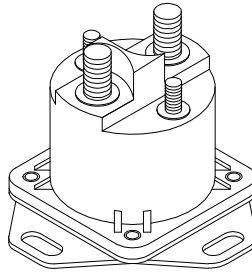
Part Number BOM-01-84000-000K  
Kit Includes Part #'s Listed Below

- 01-75000-006 1/2" Ball Valve
- 01-84000-003 5/8" Heater Hose
- 01-84000-007 Heater
- 01-84000-008 Heater Switch
- 01-84000-009 Coolant Hose
- 01-84000-010 Brass Hose Splice - 5/8"



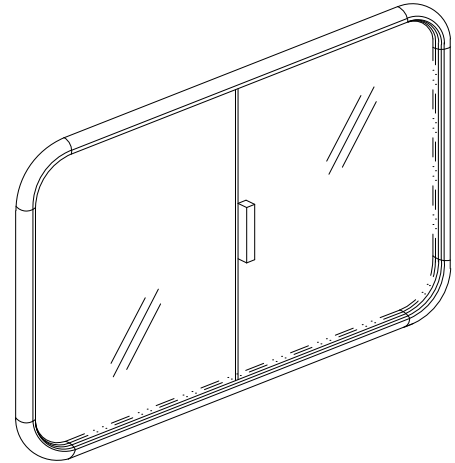
**Horn**

Part Number 01-51000-038



**John Deere Starter Solenoid**

Part Number RE170320



**Cab Sliding Side Window**

Part Number 01-16000-103R



**Fuse Panel**

Part Number 01-51000-009

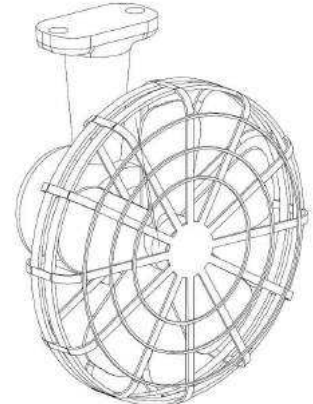
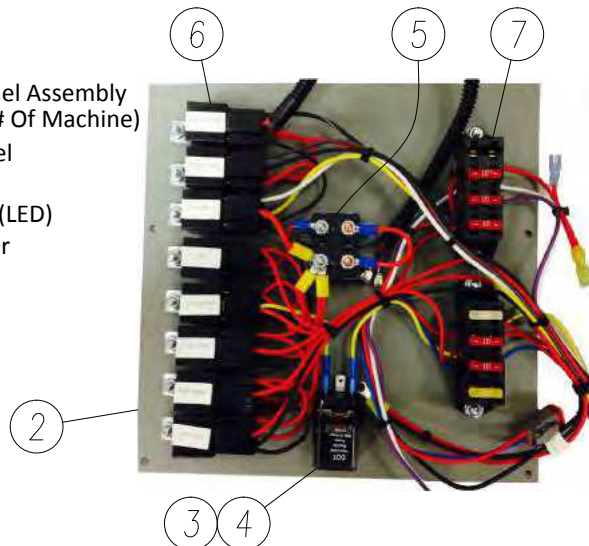


**Core Alignment Kit**

Part Number 01-13001-000

**Electrical Components**

| Item | Part No.      | Description   |
|------|---------------|---|
| 1    | 01-51000-005  | Complete Panel Assembly (Specify Serial # Of Machine) |
| 2    | 01-51000-004B | Electrical Panel                                      |
| 3    | 01-79000-001  | Flasher Relay   |
| 4    | 01-79000-101  | Flasher Relay (LED)                                   |
| 5    | 03-13029      | Circuit Breaker                                       |
| 6    | 01-51000-008  | Relay   |
| 7    | 01-51000-007  | Fuse Block  |

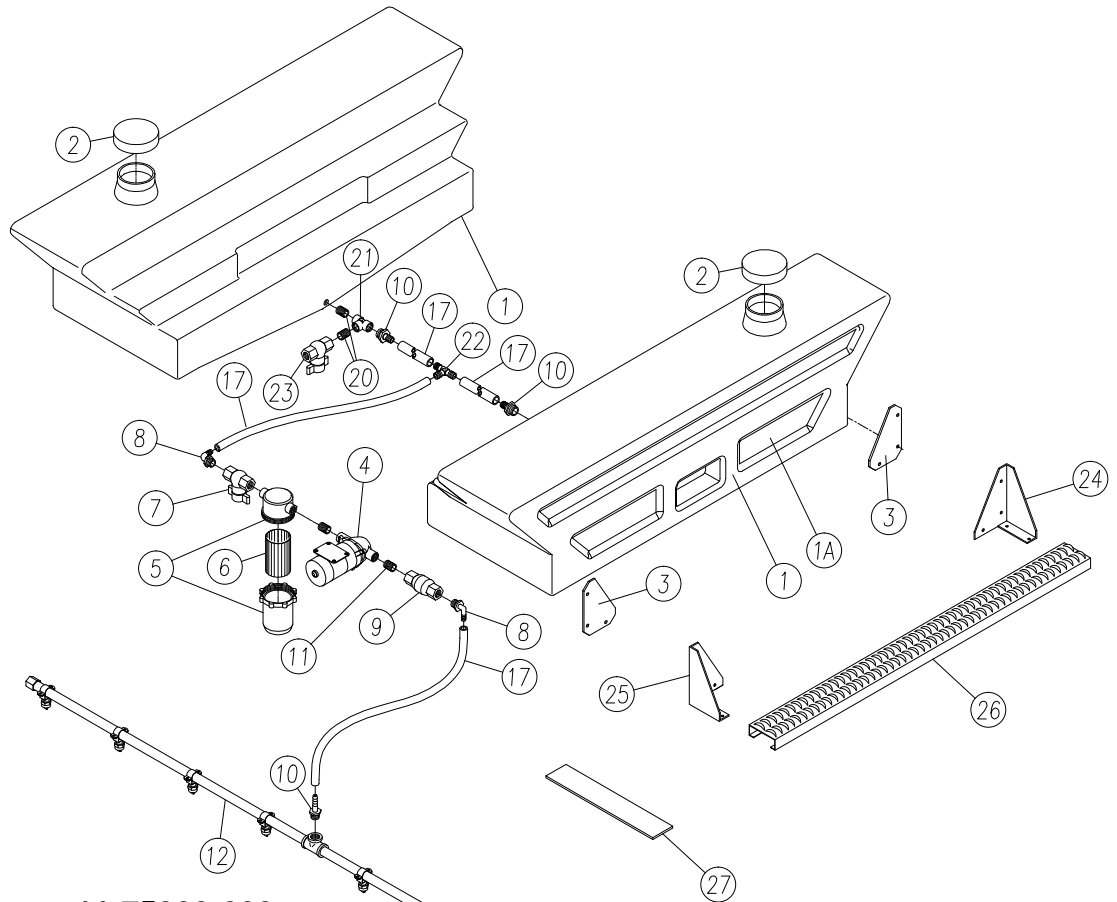


**Defroster Fan**

Part Number 01-85000-001

**Defroster Fan Kit**

Part Number BOM-01-85000-000  
(Includes Fan & Mounting Bracket)

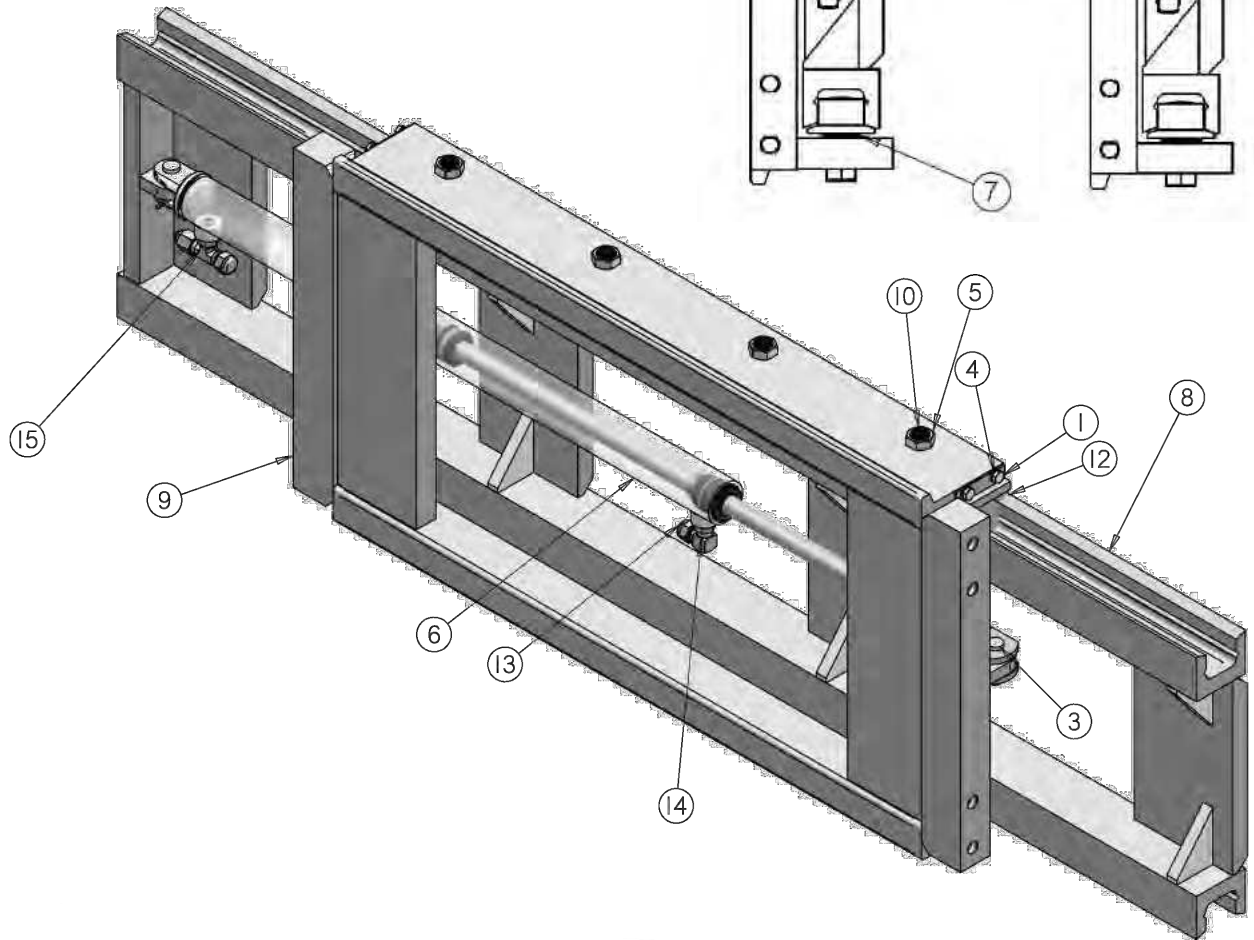
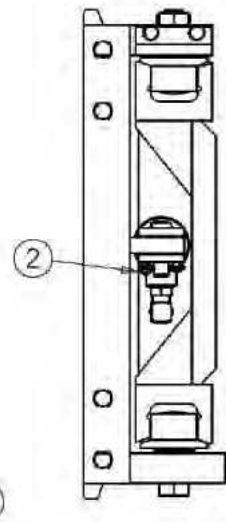
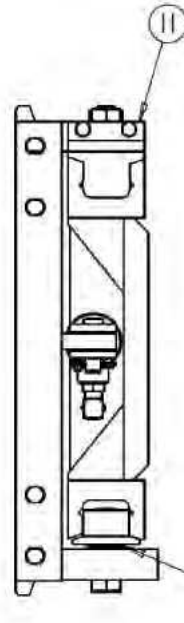
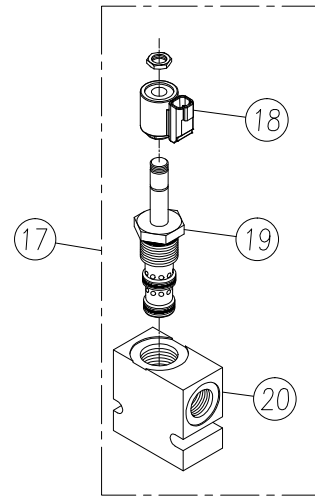
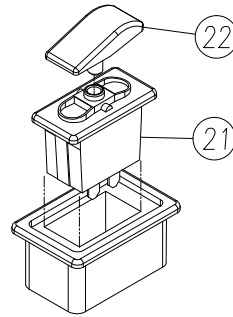


## Water Spray System 11-75000-000

| Item | Part No.       | Description                                      |
|------|----------------|--|
| 1    | 11-75000-220   | Water Tank w/Cap                                 |
| 1A   | 11-48000-011T  | Water Tank Decals (Set)                          |
| 2    | 01-75000-021   | Tank Lid   |
| 3    | 11-30000-144   | Tank Retainer (4 Required)                       |
| 4    | 01-75000-001   | Pump (2 GPM)                                     |
|      | 01-75000-001B  | Pump (High Volume - 5.3 GPM)                     |
| 5    | 01-75000-007   | Strainer Assembly With Screen & O-Ring           |
| 6    | 01-75000-034   | Strainer Screen                                  |
| 7    | 01-75000-006   | 1/2" Ball Valve                                  |
| 8    | 01-75000-031   | 1/2"-NPT X 3/4" Hose Barb 90 Deg.                |
| 9    | 01-75000-011   | 1/2" Check Valve                                 |
| 10   | 01-75000-023   | 3/4"-NPT X 3/4" Hose Barb                        |
| 11   | 01-75000-012   | 1/2" Close Nipple                                |
| 12   | 01-75000-030   | Spray Bar Complete With Nozzles                  |
| 13   | 01-75000-002   | Spray Nozzle Assembly (Complete)                 |
| 14   | 01-75000-025   | Nozzle Screen                                    |
| 15   | 01-75000-026   | Spray Tip (Brass) - .1 GPM                       |
|      | 01-75000-026B  | Spray Tip (Blue Poly Tip) - .3 GPM               |
|      | 01-75000-026C  | Spray Tip (Gray Poly Tip) (High Volume) - .6 GPM |
| 16   | 01-75000-027   | Spray Tip Cap                                    |
| 17   | 01-75000-009   | 3/4" Hose - Per Foot                             |
| 18   | 01-50000-111B4 | Switch Actuator (Not Shown)                      |
|      | 01-50000-111B5 | Switch Assembly (Less Actuator) (Not Shown)      |
| 19   | 01-75000-101   | Pump Head Only (Not Shown)                       |
| 20   | 11-75000-012   | 3/4"-NPT Close Nipple                            |
| 21   | 01-75000-005   | 3/4"-NPT "T"                                     |
| 22   | 11-75000-105   | 3/4" Hose Barb "T"                               |
| 23   | 11-75000-006   | 3/4" Ball Valve                                  |
| 24   | 11-30000-150   | Step Bracket - Rear                              |
| 25   | 11-30000-151   | Step Bracket - Front                             |
| 26   | 11-30000-152   | Step   |
| 27   | 01-50000-109   | Rubber Tank Pad - (4) Per SM80                   |

# Side Shift Assembly BOM-11-39000-000

| Item | Part No.     | Description                |
|------|--------------|----------------------------|
| 1    | 01C-0412     | Hex Cap                    |
| 2    | 01F-0416     | Cotter Pin                 |
| 3    | 047229       | Clevis Pin                 |
| 4    | 04E-04       | Washer                     |
| 5    | 08D-10       | Jam Nuts                   |
| 6    | 11.190       | Cylinder                   |
| 7    | 15E-10       | Washer                     |
| 8    | 31-002       | Base Carriage              |
| 9    | 31-003       | Fork Base Carriage         |
| 10   | 31-015       | Flanged Roller Bearing     |
| 11   | 31-016       | Mount Dust Sweeper         |
| 12   | 31-017       | Dust Sweeper               |
| 13   | 820-06       | Fitting Cap                |
| 14   | 853-0606     | 90° Fitting                |
| 15   | RV-6-90      | Restrictor Valve           |
| 16   | 11-39000-001 | Side Shift (Includes 1-15) |
| 17   | 11-39000-053 | Side Shift Valve Assembly  |
| 18   | 01-50600-057 | Side Function Control Coil |
| 19   | 11-39000-054 | Side Shift Valve           |
| 20   | 11-39000-056 | Side Shift Valve Body      |
| 21   | 01-51000-390 | Side Shift Switch          |
| 22   | 01-51000-391 | Side Shift Switch Actuator |



## Paint & Manuals

| <u>Part No.</u>       | <u>Description</u>  |
|-----------------------|---|
| Yellow Topcoat Spray  | Touch-Up Paint (This Item May Only Be Shipped Ground)           |
| FB - Parts Manual     | Front Broom Parts Manual  |
| FB - Operation Manual | Front Broom Operator & Service Manual                           |
| Service Manual        | Overhaul & Service Manual (Must Specify Model & S/N Of Machine) |

## Decals

| <u>Part No.</u> | <u>Description</u>   |
|-----------------|--|
| 01-48000-000    | Decal Kit "Superior Broom" Includes: (2) 01-48000-001 & (1) 01-48000-011 |
| 01-48000-001    | Large Superior Broom Decal   |
| 01-48000-011    | Small Superior Broom Decal   |
| 01-48000-010    | Decal Sheet  |
| 01-48000-010S   | Decal Sheet (Spanish Version)  |
| 11-48000-011T   | Water Tank Decals (Set)  |
| 12-48000-020    | SM80J Decal  |
| 14-48000-020    | SM80CT Decal   |
| 16-48000-020    | SM80K Decal  |
| 01-48000-002    | USA Decal  |
| 01-48000-003    | A/C Decal  |

## Superior Broom

Complete Filter Kit  
(Order By Serial Number)

### P/N - Filter Kit-Cummins ( Includes One Each Of The Items Below )

|                 |  |
|-----------------|--|
| 01-50001-046B   | Engine Air Cleaner - Outer Filter                                  |
| 01-50001-047B   | Engine Air Cleaner - Inner Filter                                  |
| 01-86000-120    | Cab - Air Cleaner Filter   |
| * 01-50600-004  | Hydraulic Charge Filter Element (Spin On) (Serial # 915219 & Down) |
| * 01-50600-004M | Hydraulic Charge Filter Element (Spin On) (Serial # 915220 & Up)   |
| 01-50600-014    | Hydraulic Return Filter Element (Tank Filter)                      |
| 01-50600-017    | Hydraulic Breather Filter  |
| 02-50000-627    | Inline Fuel Filter   |
| FF5432          | Fuel Filter  |
| LF16011         | Oil Filter   |

### P/N - Filter Kit-Deere ( Includes One Each Of The Items Below )

|                 |  |
|-----------------|--|
| 01-50001-046B   | Engine Air Cleaner - Outer Filter                                  |
| 01-50001-047B   | Engine Air Cleaner - Inner Filter                                  |
| 01-86000-120    | Cab - Air Cleaner Filter   |
| * 01-50600-004  | Hydraulic Charge Filter Element (Spin On) (Serial # 915219 & Down) |
| * 01-50600-004M | Hydraulic Charge Filter Element (Spin On) (Serial # 915220 & Up)   |
| 01-50600-014    | Hydraulic Return Filter Element (Tank Filter)                      |
| 01-50600-017    | Hydraulic Breather Filter  |
| 02-50000-627    | Inline Fuel Filter   |
| RE522868        | Fuel Filter  |
| RE504836        | Oil Filter   |

### P/N - Filter Kit-Kubota ( Includes One Each Of The Items Below )

|                 |  |
|-----------------|--|
| 01-50001-046B   | Engine Air Cleaner - Outer Filter                                  |
| 01-50001-047B   | Engine Air Cleaner - Inner Filter                                  |
| 01-86000-120    | Cab - Air Cleaner Filter   |
| * 01-50600-004  | Hydraulic Charge Filter Element (Spin On) (Serial # 915219 & Down) |
| * 01-50600-004M | Hydraulic Charge Filter Element (Spin On) (Serial # 915220 & Up)   |
| 01-50600-014    | Hydraulic Return Filter Element (Tank Filter)                      |
| 01-50600-017    | Hydraulic Breather Filter  |
| 02-50000-627    | Inline Fuel Filter   |
| 06-50000-403    | Fuel Filter  |
| 06-50000-402    | Oil Filter   |

# Superior Broom

## Recommended Stock List

### Cummins 3.3 CT

| <u>Part No.</u> | <u>Description</u>   | <u>Qty.</u> |
|-----------------|--|-------------|
| 01-50600-014    | Hydraulic Return Filter Element (Tank Filter)                          | 2           |
| 01-50600-004    | Hydraulic Charge Filter Element (Spin On) (Serial # 915219 & Down)     | 2           |
| 01-50600-017    | Hydraulic Breather Filter  | 2           |
| 02-50000-627    | Inline Fuel Filter   | 2           |
| LF16011         | Cummins 3.3T Engine Oil Filter   | 2           |
| FF5432          | Cummins 3.3T Engine Fuel Filter  | 2           |
| 14-86000-005    | Cummins 3.3T A/C Belt  | 1           |
| T22485          | Cummins Turbo 3.3L Engine Belt   | 1           |
| 01-50001-046B   | Engine Air Cleaner - Outer Filter                                      | 2           |
| 01-50001-047B   | Engine Air Cleaner - Inner Filter                                      | 2           |
| 01-86000-120    | Cab - Air Cleaner Filter   | 2           |
| 01-75000-026    | Water System Spray Tips (Brass)  | 8           |
| 01-75000-026B   | Water System Spray Tips (Blue Poly Tip)                                | 8           |
| 01-75000-025    | Water System Spray Nozzle Screen                                       | 8           |
| 01-75000-034    | Water System Strainer Screen   | 1           |
| 01-13000-107    | Core Motor Mounting Pin  | 1           |
| 01-50600-001B   | Hydraulic Core Motor   | 1           |
| 01-13000-007    | Core Drive Hub   | 2           |
| 01-13000-010    | Core Idler Shaft Weldment  | 1           |
| 01-50000-035    | Core Pillow Block Bearing  | 2           |
| 01-78000-000    | Poly Wafer Set (Includes Spacers)                                      | 1*          |
| 01-78000-100    | 1/2 & 1/2 Wafer Set (Includes Spacers)                                 | 1*          |
| 01-78000-800    | Core - Full Poly - Coreless Tube Brush 96"                             | 1*          |
| 01-78000-810    | Core - Poly / Wire Combination - Coreless Tube Brush 96"               | 1*          |
| 01-78000-201/96 | Poly Tube Core Brush 96"   | 1*          |
| 01-16000-025    | Front Wiper Blade  | 1           |
| 11-50000-108    | Rubber Rock Guard  | 1           |
| 01-50001-005    | Front Axle Break Shoe Set (4 Shoes) Does Both Sides                    | 1           |
| 01-14000-028    | Rear Axle Break Shoe Set (4 Shoes) Does Both Sides                     | 1           |
| 01-16000-009    | Door Tether  | 1           |
| 01-16000-010    | Door Gas Shock   | 1           |
| CAB KEY         | Door Keys - Lever Action Style Door Handle                             | 1           |
| NEW CAB KEY     | Door Keys - Push Button Style Door Handle                              | 1           |
| CUMMINS KEY     | Cummins & Cummins Turbo Ignition Key                                   | 1           |
| 01-89000-001K   | Replacement Key - For 01-89000-001B                                    | 1           |
| 01-50600-004M   | Hydraulic Charge Filter Element (Spin On) (Serial # 915220 To Present) | 2           |

\* Stock Brush Sets According To Dealer Machine Sales



# Superior Broom

## Recommended Stock List

### John Deere 4.5

| <u>Part No.</u> | <u>Description</u>   | <u>Qty.</u> |
|-----------------|--|-------------|
| 01-50600-014    | Hydraulic Return Filter Element (Tank Filter)                          | 2           |
| 01-50600-004    | Hydraulic Charge Filter Element (Spin On) (Serial # 915219 & Down)     | 2           |
| 01-50600-017    | Hydraulic Breather Filter  | 2           |
| 02-50000-627    | Inline Fuel Filter   | 2           |
| RE504836        | John Deere 4.5 Engine Oil Filter                                       | 2           |
| RE522868        | John Deere 4.5 Engine Fuel Filter                                      | 2           |
| 12-86000-005    | John Deere 4.5 A/C Belt  | 1           |
| R123432         | JD Fan Belt  | 1           |
| 01-50001-046B   | Engine Air Cleaner - Outer Filter                                      | 2           |
| 01-50001-047B   | Engine Air Cleaner - Inner Filter                                      | 2           |
| 01-86000-120    | Cab - Air Cleaner Filter   | 2           |
| 01-75000-026    | Water System Spray Tips (Brass)  | 8           |
| 01-75000-026B   | Water System Spray Tips (Blue Poly Tip)                                | 8           |
| 01-75000-025    | Water System Spray Nozzle Screen                                       | 8           |
| 01-75000-034    | Water System Strainer Screen   | 1           |
| 01-13000-107    | Core Motor Mounting Pin  | 1           |
| 01-50600-001B   | Hydraulic Core Motor   | 1           |
| 01-13000-007    | Core Drive Hub   | 2           |
| 01-13000-010    | Core Idler Shaft Weldment  | 1           |
| 01-50000-035    | Core Pillow Block Bearing  | 2           |
| 01-78000-000    | Poly Wafer Set (Includes Spacers)                                      | 1*          |
| 01-78000-100    | 1/2 & 1/2 Wafer Set (Includes Spacers)                                 | 1*          |
| 01-78000-800    | Core - Full Poly - Coreless Tube Brush 96"                             | 1*          |
| 01-78000-810    | Core - Poly / Wire Combination - Coreless Tube Brush 96"               | 1*          |
| 01-78000-201/96 | Poly Tube Core Brush 96"   | 1*          |
| 01-16000-025    | Front Wiper Blade  | 1           |
| 11-50000-108    | Rubber Rock Guard  | 1           |
| 01-50001-005    | Front Axle Break Shoe Set (4 Shoes) Does Both Sides                    | 1           |
| 01-14000-028    | Rear Axle Break Shoe Set (4 Shoes) Does Both Sides                     | 1           |
| 01-16000-009    | Door Tether  | 1           |
| 01-16000-010    | Door Gas Shock   | 1           |
| CAB KEY         | Door Keys - Lever Action Style Door Handle                             | 1           |
| NEW CAB KEY     | Door Keys - Push Button Style Door Handle                              | 1           |
| JD KEY          | John Deere Ignition Key  | 1           |
| 01-89000-001K   | Replacement Key - For 01-89000-001B                                    | 1           |
| 01-50600-004M   | Hydraulic Charge Filter Element (Spin On) (Serial # 915220 To Present) | 2           |

\* Stock Brush Sets According To Dealer Machine Sales

# Superior Broom

## Recommended Stock List

### Kubota

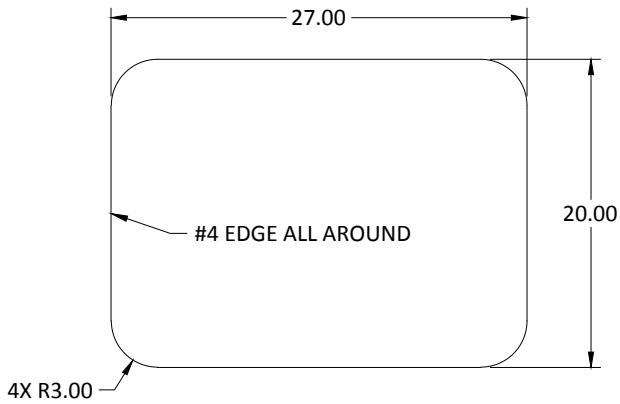
| <u>Part No.</u> | <u>Description</u>   | <u>Qty.</u> |
|-----------------|--|-------------|
| 01-50600-014    | Hydraulic Return Filter Element (Tank Filter)                          | 2           |
| 01-50600-004    | Hydraulic Charge Filter Element (Spin On) (Serial # 915219 & Down)     | 2           |
| 01-50600-017    | Hydraulic Breather Filter  | 2           |
| 02-50000-627    | Inline Fuel Filter   | 2           |
| 06-50000-402    | Kubota Engine Oil Filter   | 2           |
| 06-50000-403    | Kubota Engine Fuel Filter  | 2           |
| 16-86000-005    | Kubota A/C Belt  | 1           |
| 16-50000-401    | Kubota Fan Belt  | 1           |
| 01-50001-046B   | Engine Air Cleaner - Outer Filter                                      | 2           |
| 01-50001-047B   | Engine Air Cleaner - Inner Filter                                      | 2           |
| 01-86000-120    | Cab - Air Cleaner Filter   | 2           |
| 01-75000-026    | Water System Spray Tips (Brass)  | 8           |
| 01-75000-026B   | Water System Spray Tips (Blue Poly Tip)                                | 8           |
| 01-75000-025    | Water System Spray Nozzle Screen                                       | 8           |
| 01-75000-034    | Water System Strainer Screen   | 1           |
| 01-13000-107    | Core Motor Mounting Pin  | 1           |
| 01-50600-001B   | Hydraulic Core Motor   | 1           |
| 01-13000-007    | Core Drive Hub   | 2           |
| 01-13000-010    | Core Idler Shaft Weldment  | 1           |
| 01-50000-035    | Core Pillow Block Bearing  | 2           |
| 01-78000-000    | Poly Wafer Set (Includes Spacers)                                      | 1*          |
| 01-78000-100    | 1/2 & 1/2 Wafer Set (Includes Spacers)                                 | 1*          |
| 01-78000-800    | Core - Full Poly - Coreless Tube Brush 96"                             | 1*          |
| 01-78000-810    | Core - Poly / Wire Combination - Coreless Tube Brush 96"               | 1*          |
| 01-78000-201/96 | Poly Tube Core Brush 96"   | 1*          |
| 01-16000-025    | Front Wiper Blade  | 1           |
| 11-50000-108    | Rubber Rock Guard  | 1           |
| 01-50001-005    | Front Axle Break Shoe Set (4 Shoes) Does Both Sides                    | 1           |
| 01-14000-028    | Rear Axle Break Shoe Set (4 Shoes) Does Both Sides                     | 1           |
| 01-16000-009    | Door Tether  | 1           |
| 01-16000-010    | Door Gas Shock   | 1           |
| CAB KEY         | Door Keys - Lever Action Style Door Handle                             | 1           |
| NEW CAB KEY     | Door Keys - Push Button Style Door Handle                              | 1           |
| KUBOTA KEY      | Kubota Ignition Key  | 1           |
| 01-89000-001K   | Replacement Key - For 01-89000-001B                                    | 1           |
| 01-50600-004M   | Hydraulic Charge Filter Element (Spin On) (Serial # 915220 To Present) | 2           |

\* Stock Brush Sets According To Dealer Machine Sales

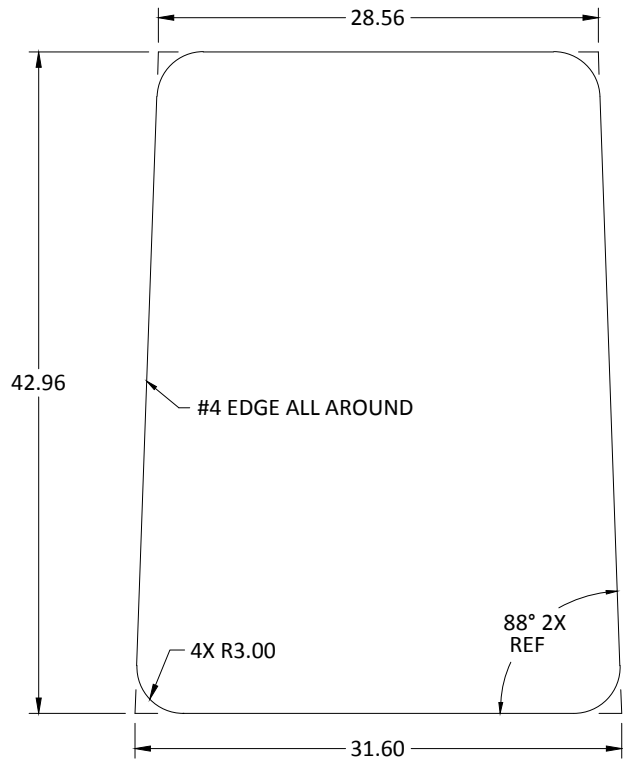
# Tinted Safety Glass

For Replacement Glass -  
Take Information Below To Local Glass Supplier.

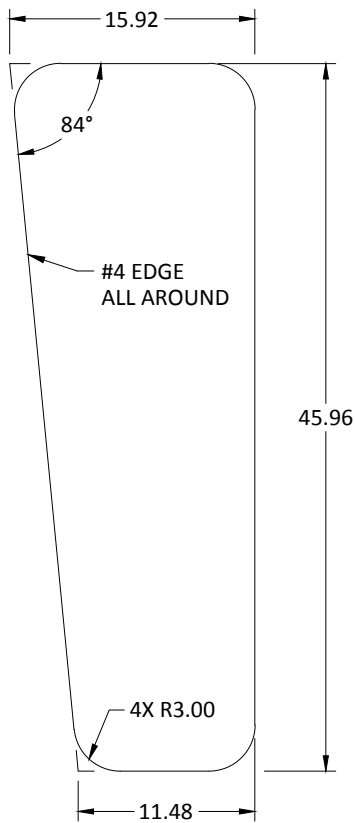
.25" Glass - BLUE/GREEN TINT- 73% LIGHT TRANS, LAMINATED



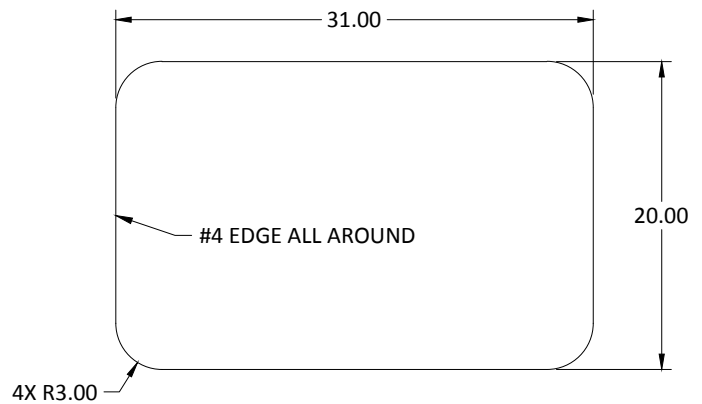
Door & Side Glass  
01-16000-003



Windshield  
01-16000-004

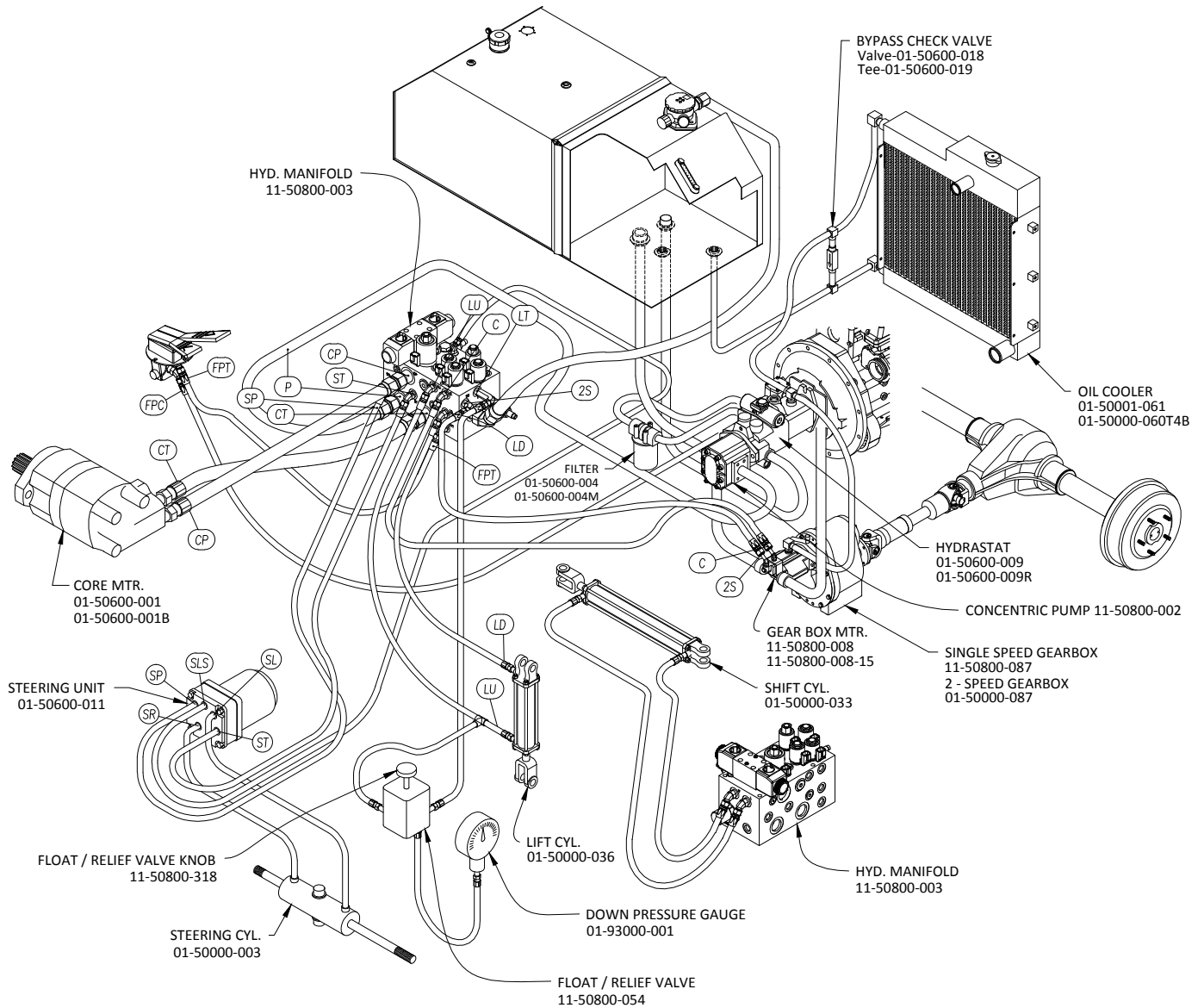


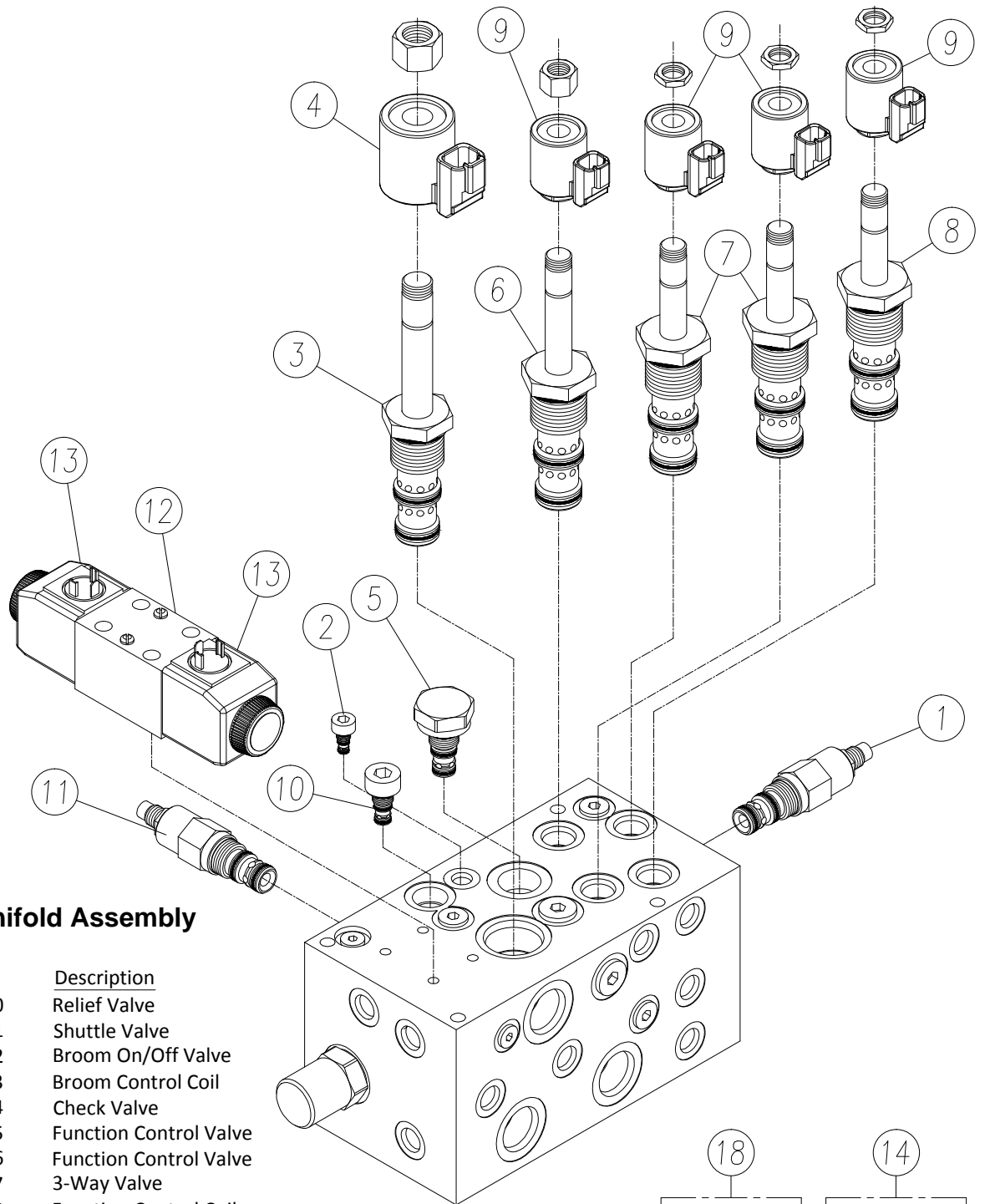
Corner Glass (Left or Right)  
01-16000-005



Rear Glass  
01-16000-006

# (Serial # 914206 & Below)

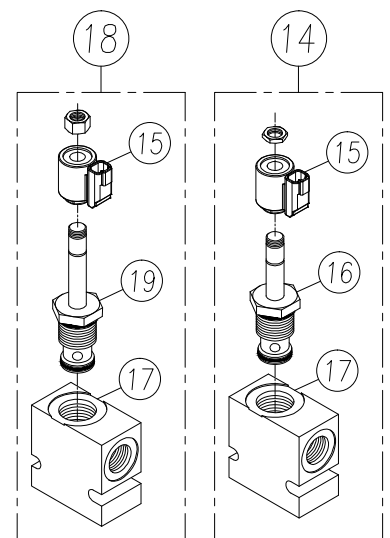


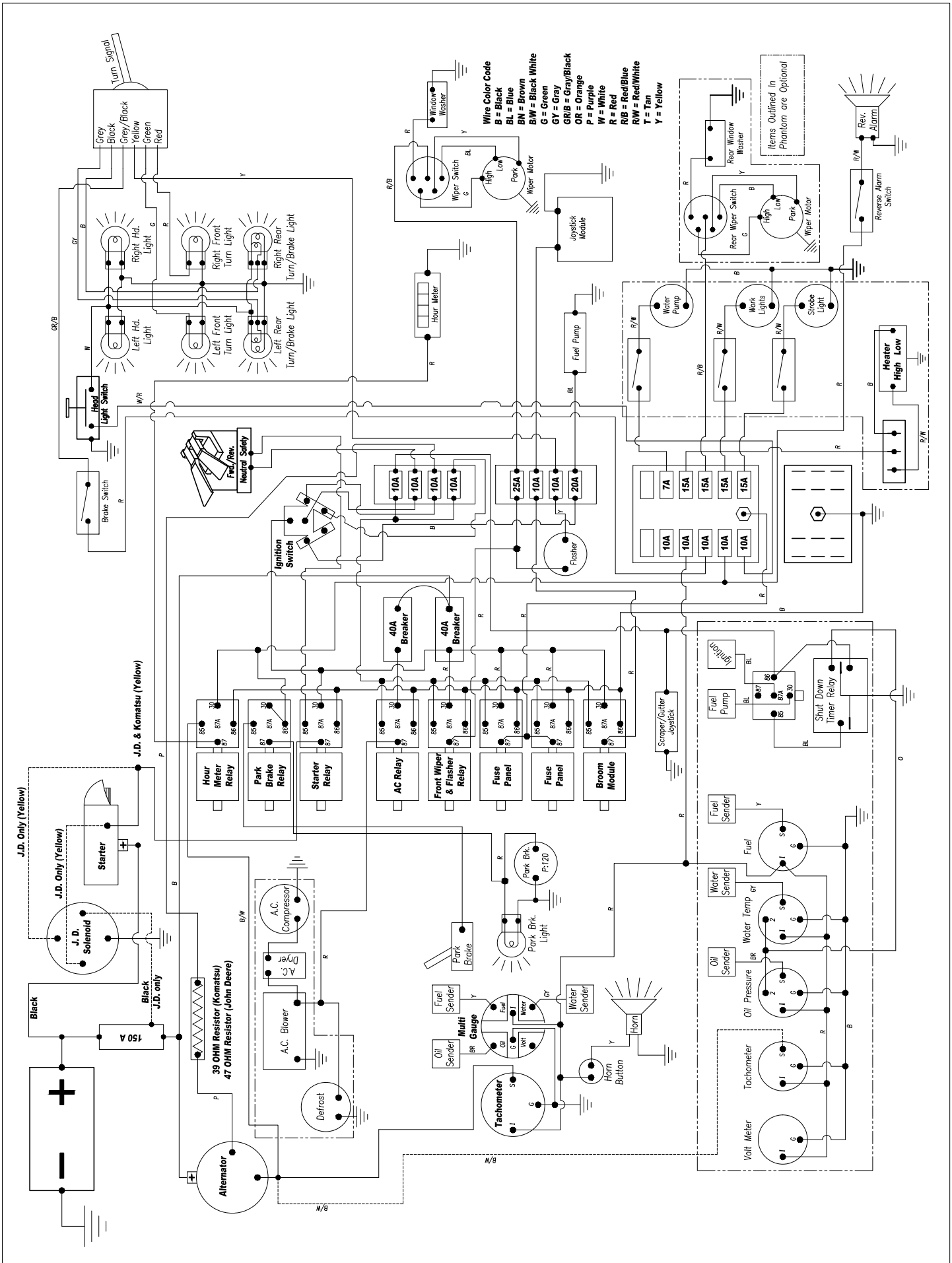


## Hydraulic Manifold Assembly

### 11-50800-003

| Item | Part No.     | Description                         |
|------|--------------|-------------------------------------|
| 1    | 11-50800-060 | Relief Valve                        |
| 2    | 11-50800-061 | Shuttle Valve                       |
| 3    | 11-50800-062 | Broom On/Off Valve                  |
| 4    | 11-50800-063 | Broom Control Coil                  |
| 5    | 11-50800-064 | Check Valve                         |
| 6    | 11-50800-065 | Function Control Valve              |
| 7    | 11-50800-066 | Function Control Valve              |
| 8    | 11-50800-067 | 3-Way Valve                         |
| 9    | 11-50800-068 | Function Control Coil               |
| 10   | 11-50800-069 | Flow Regulator                      |
| 11   | 11-50800-070 | Lift/Bypass Relief Valve            |
| 12   | 11-50800-071 | Broom Left / Right Valve            |
| 13   | 11-50800-073 | Left/Right DO3 12V Coil             |
| 14   | 11-50400-200 | Core Dump Valve Assembly            |
| 15   | 01-50600-057 | Function Control Coil               |
| 16   | 11-50400-202 | Core Dump Valve                     |
| 17   | 01-29600-001 | Valve Body                          |
| 18   | 01-29600-003 | Parking Brake Safety Valve Assembly |
| 19   | 01-29600-002 | Park Brake Valve                    |







**Service intervals** - Refer to the engine owners manual for the recommended service intervals.

| Lubrication and Maintenance Service Intervals                                      |   |              |                              |                           |                   |                    |                     |             |
|--|---|--------------|------------------------------|---------------------------|-------------------|--------------------|---------------------|-------------|
| Procedure  | Service Item / Area                         | Daily        | First 25 Hours               | Break in Period (150 Hrs) | 250 Hour/6-Months | 500 Hour/12-Months | 2000 Hour/24-Months | As Required |
|  |   | <b>Check</b> | Engine Oil and Coolant level | x                         |                   |                    |                     |             |
|  | Hydraulic Oil level                         | x            |                              |                           |                   |                    |                     |             |
|  | Fuel Filter/Water Separator Bowl            | x            |                              |                           |                   |                    |                     |             |
|  | Air Cleaner Dust Unloader Valve & Indicator | x            |                              |                           |                   |                    |                     |             |
|  | Fluid Level in Two-Speed Gearbox            |              | x                            |                           |                   |                    |                     |             |
|  | Engine Mounts                               |              |                              |                           | x                 |                    |                     |             |
|  | Manual Belt Tensioner and Belt Wear         |              |                              |                           | x                 |                    |                     |             |
|  | Brake Pads for Wear                         |              |                              |                           |                   | x                  |                     |             |
|  | Air Intake Hoses, Connections, & System     |              |                              |                           |                   | x                  |                     |             |
|  | Automatic Belt Tensioner and Belt Wear      |              |                              |                           |                   | x                  |                     |             |
|  | Engine Electrical Ground Connection         |              |                              |                           |                   | x                  |                     |             |
|  | Cooling System                              |              |                              |                           |                   | x                  |                     |             |
|  | * Crankshaft Vibration Damper (6.8 L Eng.)  |              |                              |                           |                   |                    | x                   |             |
|  | Check and Adjust Engine Valve Clearance     |              |                              |                           |                   |                    | x                   |             |
|  | Check any fluid leaks                       | x            |                              |                           |                   |                    |                     |             |
|  | Check Brake Master Cylinder Fluid Level     | x            |                              |                           |                   |                    |                     |             |
| <b>Change</b>  | Two-Speed Gearbox Oil (#1)                  |              |                              | x                         |                   |                    |                     |             |
|  | Engine Oil and Replace Oil Filter           |              |                              | x                         | x                 |                    |                     |             |
|  | Hydraulic Oil and Replace Filter            |              |                              |                           | x                 |                    |                     |             |
|  | Hydraulic Oil Filter                        |              |                              | x                         |                   |                    |                     |             |
|  | Fuel Filter                                 |              |                              | x                         |                   |                    |                     |             |
| <b>Lubricate</b>   | Front Axle Assembly (10 Lube Points)        |              |                              |                           | x                 |                    |                     |             |
|  | Drive Shaft (3 Lube Points)                 |              |                              |                           | x                 |                    |                     |             |
|  | Repack Wheel Bearings                       |              |                              |                           |                   |                    | x                   |             |
| <b>Service</b>   | Service Fire Extinguisher                   |              |                              |                           | x                 |                    |                     |             |
|  | Service Battery                             |              |                              |                           | x                 |                    |                     |             |
| <b>Clean</b>   | Clean Crankcase Vent Tube                   |              |                              |                           | x                 |                    |                     |             |
|  | Flush Cooling System                        |              |                              |                           |                   |                    | x                   |             |
| <b>Replace</b>   | Replace Fuel Filter Element                 |              |                              |                           |                   | x                  |                     |             |
|  | Replace Air Cleaner Elements                |              |                              |                           |                   |                    |                     | x           |
|  | Replace Fan Belt                            |              |                              |                           |                   |                    |                     | x           |
| <b>Test</b>  | Coolant Solution Analysis - Add or Replace  |              |                              |                           |                   | x                  |                     |             |
|  | Pressure Test Cooling System                |              |                              |                           |                   | x                  |                     |             |
|  | Test Thermostats                            |              |                              |                           |                   |                    | x                   |             |
|  | Add Coolant                                 |              |                              |                           |                   |                    |                     | x           |
| <b>Inspect</b>   | Perform Visual Walkaround Inspection        |              |                              |                           | x                 |                    |                     |             |
|  | Front Axle Pivot Bushings                   |              |                              |                           |                   | x                  |                     |             |
| Boxes that are shaded, are engine service areas                                    |   |              |                              |                           |                   |                    |                     |             |
| 1. Change two-speed gearbox oil every 200 hours after initial 100 hour oil change. |   |              |                              |                           |                   |                    |                     |             |
| (*) Applies to John Deere engine only  |   |              |                              |                           |                   |                    |                     |             |

**Important:** recommended service intervals are for normal operating conditions. Service more often if engine is operated under adverse conditions. Neglecting maintenance can result in failures or permanent damage to the engine.

Engine Oil:  
Refer to the engine owners manual.

Hydraulic Oil:  
Conoco Megaflo AW46

Gearbox Oil:  
Conoco Universal Gear Oil 85W-140

Antifreeze:  
Mach 4 Global Premix 50/50 AF1/55