



CPX-561 Pipelayer

Max lift capacity (SAE J743B) 18,200 kg / 40,123 lb
Operating weight 14,152 kg / 31,200 lb
Net flywheel power 78 kW / 105 HP



CPX-561 PIPELAYER

ABOUT THE CPX-561

The CPX Series are fully hydraulic pipelayers which have been converted from a Cat mechanical pipelayer. The mechanical pipelayer requires only a Hydraulic Kit (CPX). This package is a rapid conversion of your Caterpillar mechanical 561 sideboom into a fully hydraulic-controlled sideboom.

CE APPROVAL

These pipelayers will qualify for CE approval with the inclusion of the following optional features:

- Noise-proof engine enclosure
- Blocks with anti-friction bearings
- Sturdier booms
- Electronic anti-tipping system



GENERAL SPECIFICATIONS

HYDRAULIC SYSTEM

Pump	(Bosch-Rexroth) 1 independent pump
Maximum capacity	128 lt/m - 484 U.S. gal/min
Maximum working pressure	220 bar / 3,190 p.s.i.

HYDRAULIC WINCHES

Type	Hydraulically controlled drums (reversible). Control valve block in open circuit
Final drive	Single-stage planetary gear
Brakes	Integrated multiple-disk negative brake

	HOOK	BOOM
Drum diameter	324 mm / 12.75 in	324 mm / 12.75 in
Flange diameter	430 mm / 16.9 in	430 mm / 16.9 in
Drum length	280 mm / 11 in	215 mm / 8.5 in
Capacity (16 mm / 5/8 in)	59.6 m / 195.5 ft	45.5 m / 149.5 ft
Wire rope installed	40 m / 131.2 ft	40 m / 131.2 ft
Rope diameter	16 mm / 5/8 in	16 mm / 5/8 in
Bare drum hook speed	53 m/min - 174 ft/min	-
3 part line hook speed	18 m/min / 59 ft / min	-
Boom line speed	-	18 m/min / 59 ft / min

BOOM

Type	4.57 m / 15 ft welded box square section
Diameter wire rope	16 mm / 5/8 in
Minimum breaking strength rope	211 kn / 47,398 lb
Part load line	3
Part boom line	3

CONTROLS

Type	Pilot operated
Safety	Emergency shut-off

ADJUSTABLE COUNTERWEIGHTS

Removable counterweight leaves	5 leaves 279 kg / 614 lb each
Total weight extendable	865 kg / 1,903 lb

SET BLOCKS

Class of mechanism (UNI ISO 4301/02)	M3
Pulley diameter	256 mm / 10 in
Pulley rotation	Roller bearing each

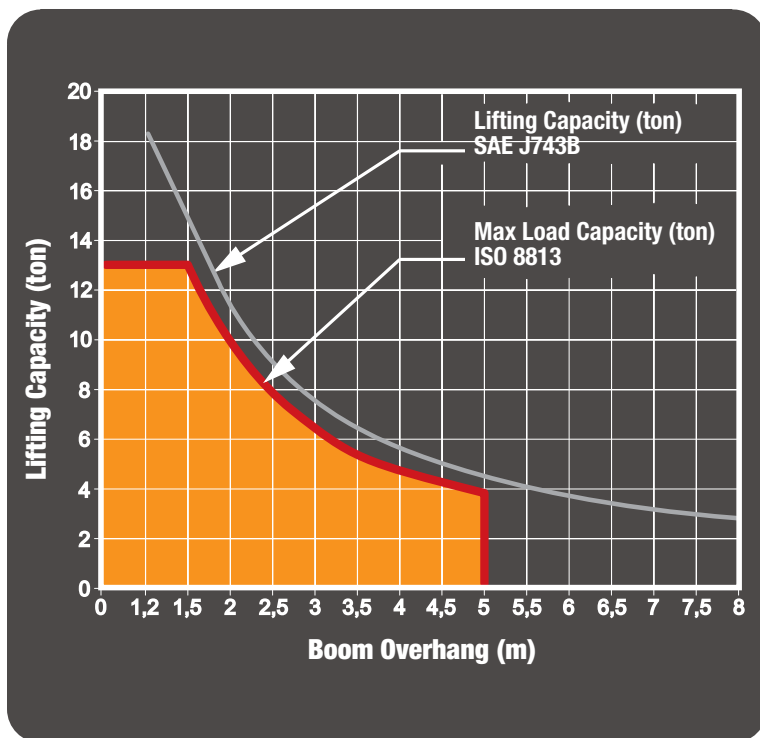
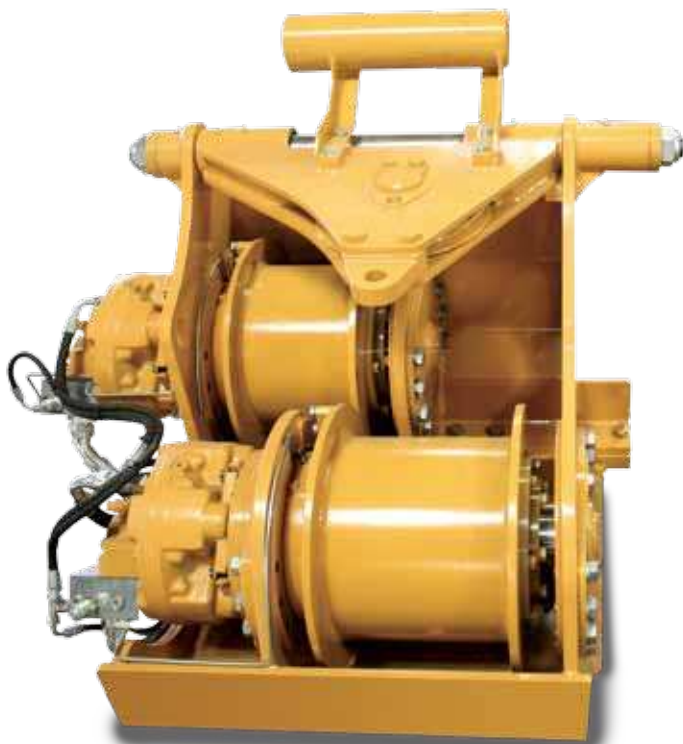
CAPACITIES

Hydraulic System Tank	100 liters / 26 U.S. gallons
(2) Final drive (each)	0.75 liters / 0.2 U.S. gal

WINCH SPECIFICATIONS

LIFTING CAPACITY

15 ft / 4.58 m boom



MAIN PUMP

Type Bosch-Rexroth axial piston variable displacement pump

VALVES

Type Bosch load-sensing mobile control block proportional directional valves

Max capacity 286 liters/min - 75.5 U.S. gal/min

Working pressure 320 bar - 4,642 p.s.i.

CONTROL

Type Pilot units for remote control of winch motors
Progressive and sensitive operations

SERVICE PUMP

Type Gear pump

Max capacity 10 liters.min - 2.6 U.S. gal/min

Working pressure 30 bar - 435 p.s.i.

HYDRAULIC TANK

Type Pressurized type

Max capacity 100 liters - 26.4 U.S. gal

FILTER

Type Donaldson F10500

Max capacity 500 liters/min - 132 U.S. gal/min



HYDRAULIC SYSTEM OPTIONS

ALL HYDRAULIC

- Freefall System**
 When the button is engaged, the load free-falls and then immediately stops when the button is released.
IMPORTANT: Improper use of this feature may cause damage to the winch. Read all documentation before use.
- Boom Kick-Out System**
 This system will ensure you will never bend another boom.
- Anti-Two Block**
 Sets a minimum distance between the top block and the hook block, preventing collisions between them.

ELECTRONIC OVER HYDRAULIC

- Freefall system, Boom kick-out system and anti-two block plus:**
- Anti-Tipping System**
 Prevents tipping by calculating the maximum load that can be lifted.



FEATURE	SUPERIOR	MIDWESTERN®	CATERPILLAR®
Single lever control	✓	✗	✗
Free-fall system	✓	✓	✓
Vertical boom kick-out	✓	✓	✓
Anti-two block	✓	✗	✗
Anti-tipping system	✓	✗	✗
CE compliance	✓	✗	✓

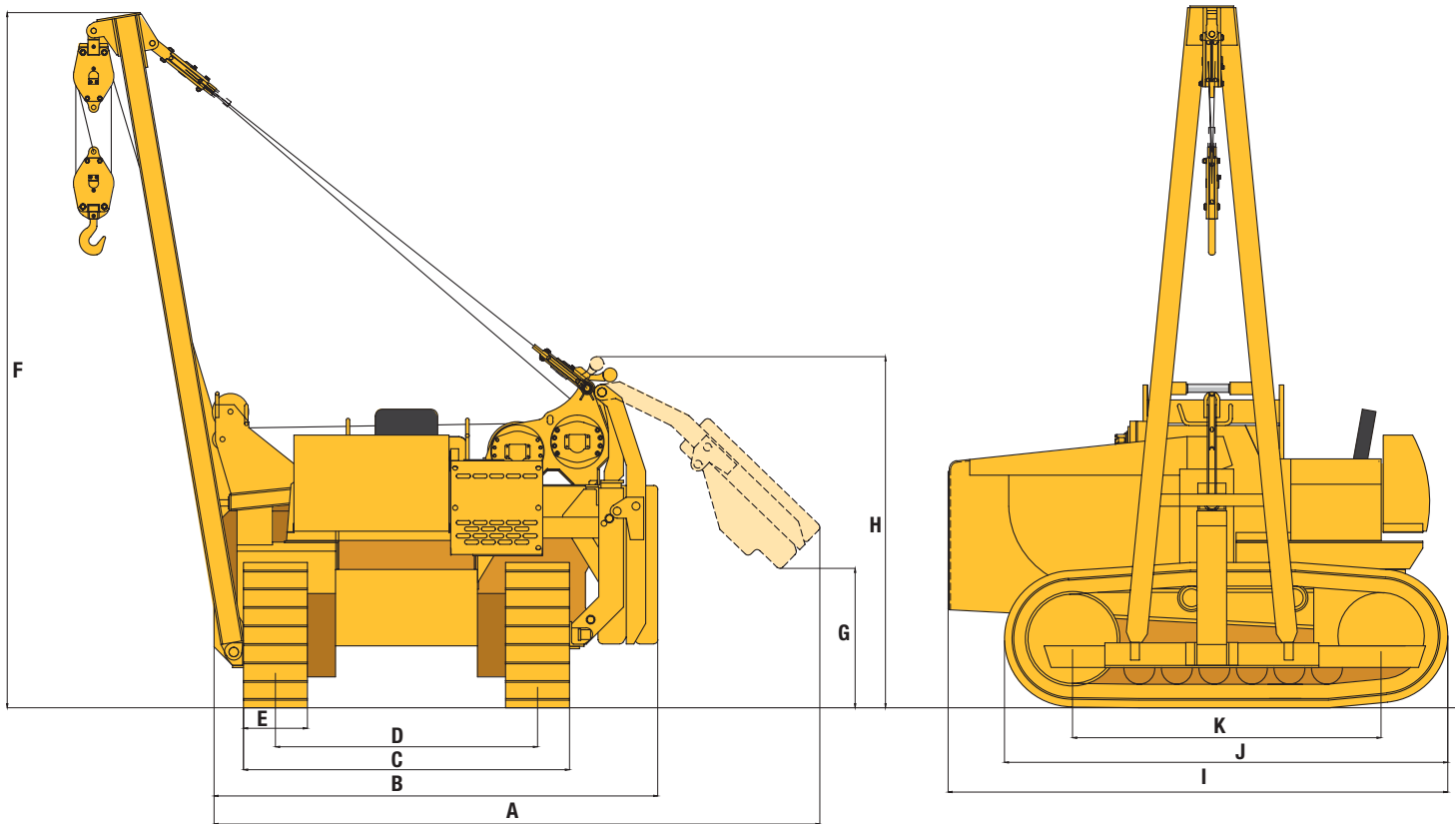


SINGLE JOYSTICK CONTROLLER

SUPERIOR'S single lever control system allows the operator to control the load with one fully-directional joystick for both the boom line and the load line. The operator can activate both winches at the same time by positioning the joystick in different diagonal positions for different desired effects. With light pressure applied, the operator can inch, or with maximum pressure applied and full throttle, can go full bore. No gearing system is necessary, as our package will operate as efficiently as the two gear systems used by our competitors.

DIMENSIONS

Operating weight 14,152 kg / 31,200 lb



	Feet	Meters
A Width with extended counterweights	14.3 ft	4.36 m
B Width with retracted counterweights	10.5 ft	3.19 m
C Width of tractor	7.7 ft	2.35 m
D Track gauge	6.2 ft	1.89 m
E Track width	1.5 ft	46 cm
F Height to top of boom	16.4 ft	5 m
G Height to bottom of counterweights (extended)	3.3 ft	1 m
H Height to top of counterweights (extended)	8.3 ft	2.5 m
I Overall length	11.8 ft	3.6 m
J Tracks length	10.5 ft	3.2 m
K Length of tracks on the ground	7.3 ft	2.2 m

AVAILABLE MODELS



SP-D5M/N LGP



SP-D6M/N LGP



CPX-561



CPX-571



SP/CPX-572



SP/CPX-583



SP/CPX-594

CONTACT INFORMATION

Europe

Phone +49.0.231.963.3073

pipelinece@wwmach.com

Russia, China and the Middle East

Phone +39.349.198.1281 Italy

Phone +7.495.507.4827 Russia

fsupipeline@wwmach.com

India

Phone +91.11.414.59230

pipelineind@wwmach.com

Africa

Intl. Toll Free 800.9675.3948

pipeline@wwmach.com

North America

Phone +1.281.457.4400

pipelinea@wwmach.com

Latin America

Phone +52.81.8.394.0160

pipelinesa@wwmach.com

Brazil

Phone 800.9675.3948

pipelinebr@wwmach.com

Australia

Phone +61.0.400.144.432

pipelinece@wwmach.com

All information is subject to change without notice.



16031 East Freeway

Houston, TX 77530

Phone 281.457.4400 Fax 281.452.5455

U.S. Toll Free 800.383.2666 Intl. Toll Free 800.9675.3948

pipeline@wwmach.com

www.worldwidemachinery.com