

# 20010

100 TON CAPACITY

**TELESCOPIC  
BOOM  
CRAWLER  
CRANE**



---

# MANTIS<sup>®</sup>

## CRANES

---



**ACCESS WALKWAYS**



**EXTENSION, JIB AND AUGER**

### **VERSATILE. POWERFUL. DEPENDABLE.**

Tadano Mantis cranes are engineered as **VERSATILE**, heavy-duty machines. We match massive steel fabrications with diesel engines and state of the art hydraulics to provide a **POWERFUL** crane that meets the toughest demands in full load pick-and-carry as well as lift applications. **MANTIS** . . . the one **DEPENDABLE** crane that does it all on your jobsite

# FEATURES

## NO OTHER CRANE COMBINES SO MANY VALUABLE FEATURES:

- Pick-and-carry the full crane load chart through 360°.
- Lift and walk...even with tracks retracted.
- Climb steeper grades, thanks to minimized counterweight and low center of gravity.
- Pull through deep mud without bogging down.
- Telescope or lift the boom with a full load on the hook.
- Save time and money on the job due to low clearance height, retract on-the-fly tracks and telescopic boom.
- Independent hydrostatic track drives allow pivot turns and counter rotation.
- Hydraulic tool circuit option powers wide choice of Mantis-approved tools.
- New luxury cab with state-of-the-art operator aids.
- Saves time and money on deployment and shipping with less haul vehicles, less time wasted on boom erection and fewer personnel on the erection crew.



Large access doors, spacious machinery compartments simplify preventative maintenance and service of the crane.



Conveniently positioned cameras display the winch as well as the blind area directly behind the crane. Full color video display in operator cab is standard equipment.



Spacious cab, adjustable seat, and conveniently located controls are common in all Tadano Mantis Cranes.



TADANO AML-C rated capacity indicator provides continuous feedback of crane lift position and data.

# SPECIFICATIONS

## MAXIMUM LIFTING CAPACITY

Maximum Lifting Capacity: 100 ton at 10 feet (90t at 3.0m)

## BOOM

4-section full power synchronized telescoping boom. Synchronized telescoping system consists of two double acting hydraulic cylinders with load holding valves and extension and retraction cables.

- Retracted Length: 42' 0" (12.8m)
- Extended Length: 128' 0" (39 m)
- Extension Time: 116 s
- Elevating Angles: -1° to 80°
- Elevating Time: 74 s
- Boom Head: Seven, 22 inch (559 mm) diameter cast nylon sheaves on heavy-duty roller bearings (5 load bearing and 2 lead in sheaves)
- Auxiliary Boom Head: Quick reeve, single 22 inch (559 mm) diameter high-strength, cast nylon sheave mounted on a heavy-duty roller bearing.
- Hook Block: 100 ton (90t) hook block - Five 20 inch (508 mm) diameter sheaves mounted on heavy duty roller bearings with swivel hook and safety latch.
- Headache Ball: 12 ton (11t) ball includes a swivel hook with a safety latch.

## WINCHES

Planetary geared two-speed winch includes a bent axis hydraulic motor, multi-disc internal brake and counterbalance valve. Drum rotation indicator is included

- Main Winch
  - Rope Diameter and Length: 7/8" x 1000 ft (22mm x 305m)
  - Single line pull: 24,000 lb (106.8 kN) (first layer)
  - Single line speed: 304 ft/min (92.7 m/min) (4th layer)
- Auxiliary Winch
  - Rope Diameter and Length: 7/8" x 600 ft (22mm x 137m)
  - Single line pull: 18,710 lb (83.2 kN) (first layer)
  - Single line speed: 405 ft/min (123.4 m/min) (at the 4th layer)

## TRAVEL

Each side frame contains a pilot controlled, two-speed track drive with hydraulic axial piston motor and parking brake. Travel system provides skid steering and counter rotation.

- Low travel speed: 0.44 mph (0.7 km/h)
- High travel speed: 1.26 mph (2.0 km/h)
- Gradeability (unladen): 60%

## LOAD MOMENT INDICATOR & ANTI-TWO BLOCK

Standard Rated Capacity Limiter and Anti-Two Block system

- Control function shutdown. Audible and visual warnings
- LCD screen provides a continuous display of working boom length, boom angle, working load radius, tip height, parts-of-line (operator set), machine track configuration, relative load moment, maximum permissible load and actual load.

## OPERATOR'S CAB

Fully-enclosed, air conditioned all-steel modular cab with lockable swinging door, acoustical lining, anti-slip floor and tinted safety glass.

- Cab tilts 20°.
- Rear view cameras are appropriately located as are three remote control work lights.
- 2-speed windshield wiper, top glass wiper
- Six-way adjustable fabric seat with headrest, seat belt
- Seat and armrest termination switches immediately disable all hydraulic functions as the operator rises from the seat or lifts the left hand armrest.

Dash instrumentation: tachometer, voltmeter, oil pressure gauge, temperature gauge, hour meter and fuel gauge. Indicators are provided for crane level, load moment, drum rotation, air filter restriction, hydraulic oil temperature and filter restriction, engine oil pressure and temperature.

## ENGINE

- Make/ Model: Cummins QSM11
- Rating: 350 hp (194 kW) @ 2100 RPM
- Alternator: 130 amp

## ELECTRICAL SYSTEM

12VDC

## COUNTERWEIGHT

Total 35,240 lb (15,985 kg) rear counterweight (Two pieces)

## SWING

Gear motor driving a planetary gear reducer with a shaft mounted pinion, external gear shear ball slew bearing bolted to the superstructure and the carbody allows the superstructure to rotate 360°

- Swing Speed: 0 - 2 rpm
- Swing Parking Brake: Spring applied failsafe brake with hydraulic release that is controlled from the operators cab
- Swing Service Brake: Hydraulically applied, controlled through foot actuated pedal
- House Lock System: 2-position, manually pinned

## HYDRAULIC SYSTEM

- Hydraulic Pumps: Two high pressure, variable axial piston pumps with load sense and power limiting control for crane functions. One variable axial piston pump for cooling loop
- Directional Valves: Multiple pressure and flow compensated valves with integrated relief valves controlled by hydraulic pilot signals.
- Pump output: 210 GPM (795 l/min) @ 2100 RPM engine speed. 4,800 psi (330 bar) maximum pressure
- Filtration: 5 micron.

## SIDE FRAMES

Two welded steel side frames are paired with a track group. The side frames extend and retract hydraulically and are controlled from the cab.

- Track Rollers: Two top and thirteen bottom sealed rollers on each track frame
- Idler: Oil filled, self lubricating with hydraulic tensioner
- Track Shoes: 36 inch (900 mm) 3-bar semi grouser

## OPTIONAL EQUIPMENT

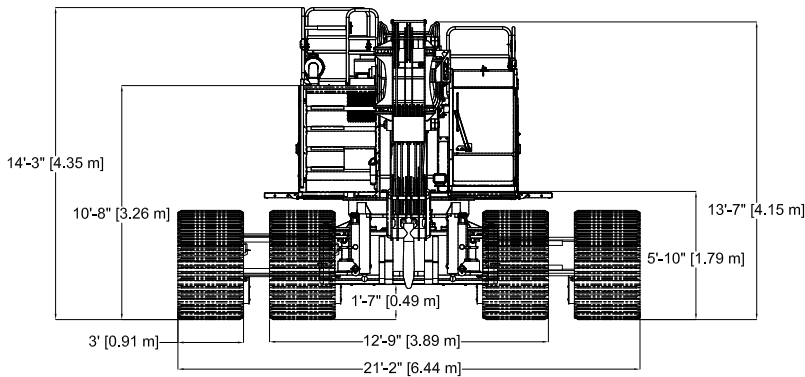
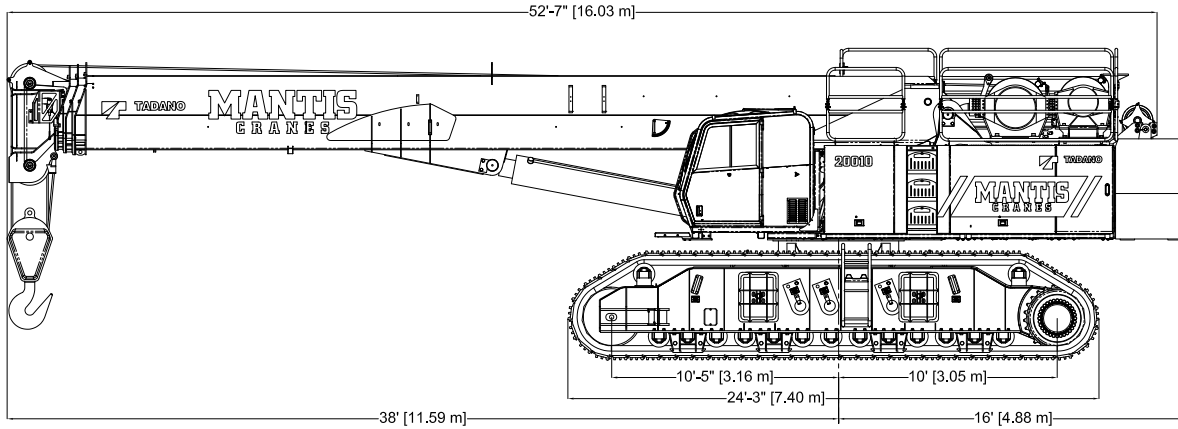
- Boom Extension: Lattice type, swing away
  - Length: 35 feet (10.7m)
  - Head: Two, 22-inch (559 mm) diameter cast nylon sheaves on heavy-duty roller bearings
  - Max. Lifting Height: 167 ft (50.9 m)
- Boom Jib: Lattice type, swing away, stores along boom extension
  - Length: 25 feet (7.6m)
  - Offset Angles: 15° & 30°
  - Max. Lifting Height: 191'-6" feet (58.4 m)
- 70 ton (63t) hook block - Three 20 inch (508mm) steel sheaves, swivel hook & safety latch
- Auger Ready Package: Includes hoses, fasteners and stowage bracket assembly mounted to the base section of the boom with a flow capability of 34 gpm (130 l/min)
- Complete Auger Package: Adds a two speed auger motor/gear box and one 60 inch (1.52 m) kelly bar to the Auger Ready Package.
- Tool Circuit: Provides 5 gpm (23 l/min) and 10 gpm (45 l/min) at 2,500 PSI (176 bar) through a 50 foot (15.2m) twin hose reel with quick disconnect fittings to operate open center tools.
- Free Fall Hoists: All winches are available in controlled free fall configurations.
- Cold Weather Packages: Cold weather options are available for operation to -40°C (Consult factory for application support)
- Work Platform: Model WP750 - 36 in x 72 in (0.9m x 1.8m), all steel, welded, two person platform with maximum capacity of 750 lbs (340 kg).
- Radio control package.
- Rotation resistant wire rope.

*Specifications are subject to change without prior notice.*

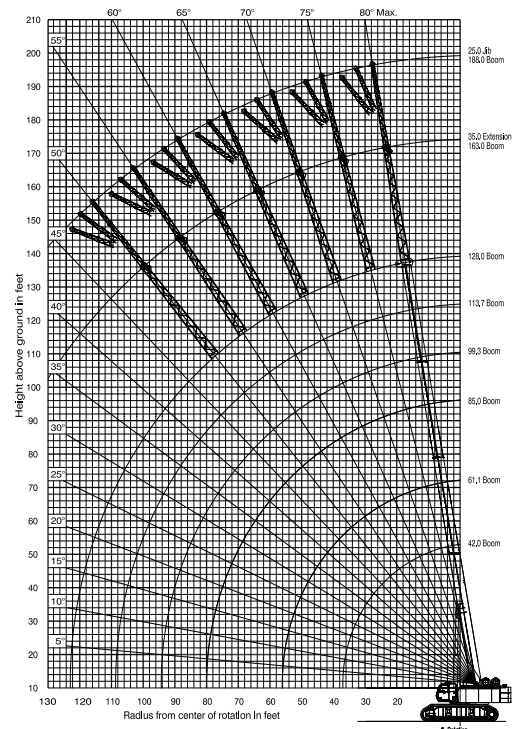
# DIMENSIONS

# 20010

100 Ton Tele-Boom Crawler Crane



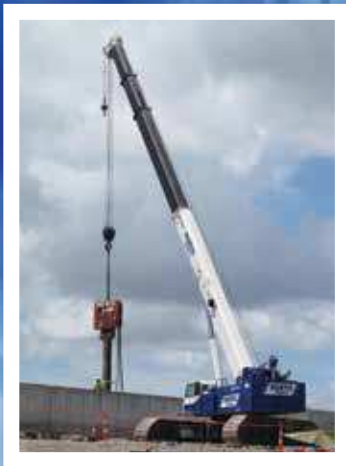
**128 FT MAIN BOOM,  
35 FT EXTENSION & 25 FT JIB**



### WIDTHS, WEIGHTS, AND GROUND PRESSURES\*

Shoe Width	Overall Width		Area	Ground Pressure	Working Weight
	Retracted	Extended			
36 in (900 mm)	12 ft 11 in (3.94 m)	21 ft 1 in (6.43 m)	17,640 in <sup>2</sup> (11.38 m <sup>2</sup> )	11.4 psi (0.80 kg/cm <sup>2</sup> )	202,300 lb (91,762 kg)

\*Crane equipped with: 128 ft boom, 35 ft extension, 25 ft jib, aux winch, nose sheave, 100 ton hook block and 12 ton headache ball



 **Lifting your dreams**

**TADANO MANTIS Corporation**

1705 Columbia Avenue Franklin, Tennessee 37064, U.S.A.  
Phone: +1-800-272-3325 Fax: +1-615-790-6803  
<http://www.mantiscranes.com/> E-mail: [sales@mantiscranes.com](mailto:sales@mantiscranes.com)

**TADANO LTD.** (International Division)

4-12, Kamezawa 2-chome, Sumida-ku Tokyo 130-0014, Japan  
Phone: 81-3-3621-7750 Fax: 81-3-3621-7785  
<http://www.tadano.com> E-mail: [info@tadano.com](mailto:info@tadano.com)