

GTC-1200



Crane capacity **5-section boom**
130 US ton (120t) 155 ft (47.2m)

Jib options

12.5 ft (3.8m) heavy lift jib
33.5 ft (10.2m) / 59.1 ft (18.0m) bi-fold jib
105 ft (32m) long jib

Maximum lifting height

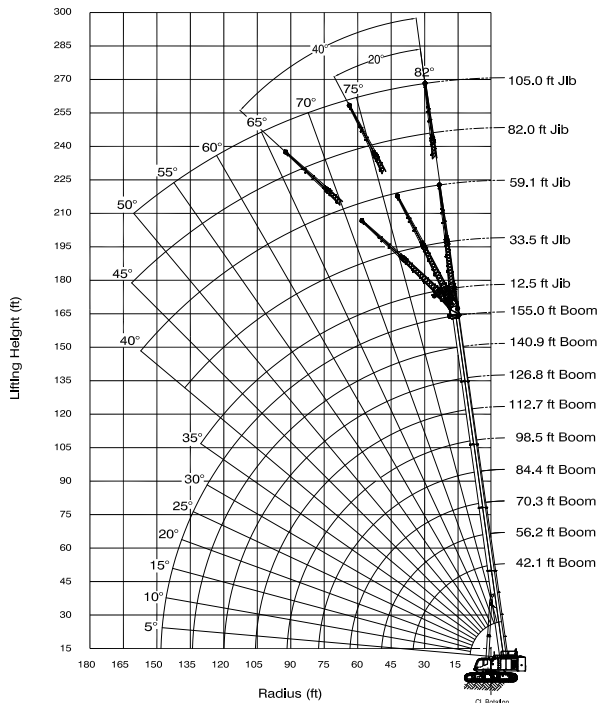
160 ft (48.8m) (boom)
269 ft (82m) (jib)

MODEL: GTC-1200

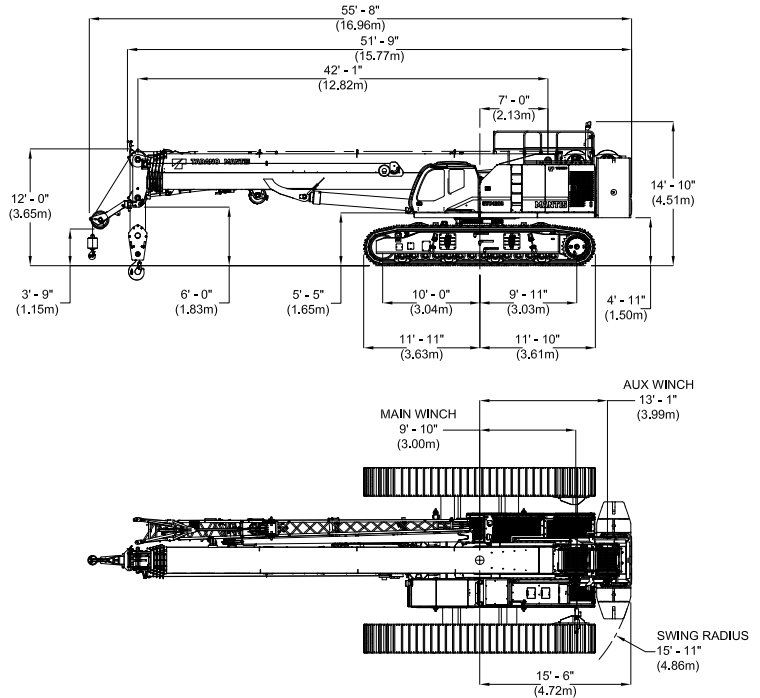
CRANE CAPACITY	130 ton at 10 feet (120t at 3.0m)
BOOM	5-section full power telescoping boom with 2 extension modes.
Retracted Length:	42' 1" (12.8m)
Extended Length:	155' 0" (47.2 m)
Extension Time:	170 s
Elevating Angles:	-2° to 82°
Elevating Time:	89 s
Heavy lift jib	• Total Length: 12.5ft (3.8m) • Offset Angles: 20° & 40° • Max. Lifting Height: 176 ft (53.6 m)
Main Jib	• Total Length: 33.5ft (10.2m) • Offset Angles: 20° & 40° • Max. Lifting Height: 197 ft (60.0 m)
Fly Jib	• Total Length: 59.1ft (18.0m) • Offset Angles: 20° & 40° • Max. Lifting Height: 224 ft (68.3 m)
Long Jib	• Total Length: 105 ft (32.0m) • Offset Angles: 20° & 40° • Max. Lifting Height: 269 ft (82.0 m)
Gross Vehicle Mass	262,600 lb (118,824 kg)
Counterweight	• Upper = 70,000 lb (31750 kg) • Carbody = 20,000 lb (9070 kg)
Travel Speed	0.5 mph (0.8 km/hr)/ 1.6 mph (2.6 km/hr)
Gradability	52%
Swing Speed	1.8 RPM
Tail Swing Radius	15' - 11" (4.86m)
House Lock Systems	• 4-position house lock (boom over front, rear or either side). Actuated from the operator's cab. • 360 degree house lock. Actuated from the operator's cab.
Swing Park Brake	Spring applied failsafe brake with hydraulic release that is controlled from the operators cab
Swing Service Brake	Hydraulically applied, controlled through foot actuated pedal
Winches	Planetary geared two-speed winch includes a hydraulic motor, multi-disc internal brake and counterbalance valve. Drum rotation indicator, cable follower and grooved drum is included
Main Winch	• Rope Diameter and Length: 7/8" x 750 ft (22mm x 229m) • Single line pull: 23,560 lb (104.8 kN)(first layer) • Single line speed: 317.3 ft/min (96.7 m/min)(5th layer)
Auxiliary Winch	• Rope Diameter and Length: 7/8" x 600 ft (22mm x 183m) • Single line pull: 23,560 lb (104.8 kN)(first layer) • Single line speed: 317.3 ft/min (96.7 m/min)(5th layer)

Load Moment Indicator	• TADANO AML-C Rated Capacity Limiter and Anti-Two Block system • Control function shutdown. Audible and visual warnings • LCD screen provides a continuous display of working boom length, boom angle, working load radius, tip height, swing position, parts-of-line (operator set), machine track configuration, relative load moment, maximum permissible load and actual load.
Telematics	Machine data logging and monitoring system with HELLO-NET via Internet.
Diesel Engine	• Make/ Model: Cummins QSL9 • Type: 6 Cylinder, Water cooled, 4 Cycle • Aspiration: Turbocharged and Aftercooled • Max. Output: 350 hp (261 kW) @ 2100 RPM • Max Torque: 1,201Lb-ft (1,628 Nm) @ 1500 RPM • Piston Disp: 8.9 L • Emission Cert: U.S. EPA Tier 4f, Euromot Stage IV • Alternator: 70 amp
Electrical System	• 24 VDC
Fuel Capacity	125 gallon (473 liter)
Hydraulic System	• Hydraulic Pumps: Two high pressure, variable axial piston pumps with load sense and power limiting control for crane functions. One axial piston pump for swing function. • Directional Valves: Multiple pressure and flow compensated valves with integrated relief valves controlled by electrical signals. • Pump output: 222 gpm (840 l/min) @ 2100 RPM engine speed. 5,000 psi (345 bar) maximum pressure • Reservoir 366 gallon (1385 liter) capacity, filler breather cap, sight gauge, cleanout, and sump drain. • Filtration: Three 5 micron, full flow tank mounted return filters with electrical clogging indicator. 2 micron pilot oil in-line pressure filter
Optional Equipment	• 36 inch (900mm) steel flat track shoes • Work Platform: Model WP750 – 36 in x 72 in (0.9m x 1.8m) , all steel, welded, two person platform with maximum capacity of 750 lbs (340 kg). • Cold Weather Packages: Cold weather options are available for operation to -40°F / -40°C • Controlled free fall winches • Hydraulic tool Circuit • Radio remote control

WORKING RANGE



DIMENSIONS



Specifications are subject to change without prior notice.



Lifting your dreams

TADANO MANTIS Corporation

1705 Columbia Avenue Franklin, Tennessee 37064, U.S.A.
Phone: +1-800-272-3325 Fax: +1-615-790-6803
http://www.mantiscranes.com/ E-mail: sales@mantiscranes.com

TADANO LTD. (International Division)

4-12, Kamezawa 2-chome, Sumida-ku Tokyo 130-0014, Japan
Phone: 81-3-3621-7750 Fax: 81-3-3621-7785
http://www.tadano.com E-mail: info@tadano.com

TMC-DI-734-04 03/15

Courtesy of Crane.Market