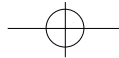


HI-RANGER T292 SERIES TELESCOPIC AERIAL DEVICE



 **TEREX TELELECT**
simple, available and cost effective



SPECIFICATIONS

HI-RANGER T292 SERIES

STANDARD EQUIPMENT

- Open-Center Hydraulic System
- Safety Harness With Lanyard And Build In "D" Ring
- Stop/Start At Upper Controls
- 370° Non-continuous Rotation
- Padded Boom Rest
- 7 Gallon Hydraulic Oil Reservoir Inside Pedestal
- Lower Controls Override Upper Controls

INSULATED, SIDE MOUNT

- 24" x 24" x 42" One-Person Side Mount Platform
300 lb. Capacity - Gravity Leveled
- Turntable Mounted Lower Controls
- Boom Mount Individual Lever Hydraulic Upper Controls
- Category "C" Rating per ANSI A92.2
- Steel Main and Fiberglass Second Section Boom

INSULATED, END MOUNT

- 24" x 24" x 42" One-Person End Mount Platform
300 lb. Capacity - Hydraulically Leveled
- Turntable Mounted Lower Controls
- Platform Mount Individual Lever Hydraulic Upper Controls
- Category "C" Rating per ANSI A92.2
- Steel Main and Fiberglass Second Section Boom

NON-INSULATED, SIDE MOUNT

- 24" x 24" x 42" One-Person Side Mount Platform
300 lb. Capacity - Gravity Leveled
- Boom Mount Electric Toggle Upper Controls
- Pedestal Mounted Electric Toggle Lower Controls
- Steel Main and Aluminum Second Section Boom

NON-INSULATED, END MOUNT

- 24" x 24" x 42" One-Person End Mount Platform
300 lb. Capacity - Hydraulically Leveled
- Boom Mounted Electric Toggle Upper Controls
- Pedestal Mount Electric Toggle Lower Controls
- Steel Main and Aluminum Second Section Boom

Photographs and illustrations represented in this literature are for informational purposes only and may depict optional or additional equipment not offered as standard. Always refer to the appropriate operator's manual for safe and proper operation of Terex Telelect equipment. Terex Telelect reserves the right to make design changes as necessary.

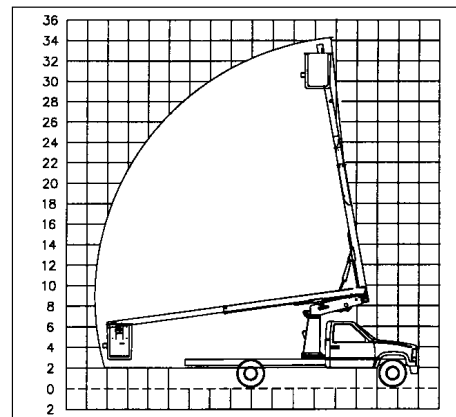
CAPACITIES & DIMENSIONAL DATA

	Side Mt.	End Mt.
Bottom of Platform Height	28.5 ft (8.7 m)	29.3 ft. (8.9 m)
Working Height	33.5 ft. (10.2 m)	34.3 ft. (10.4 m)
Horizontal Reach	20.9 ft. (6.4 m)	23.2 ft. (7.1 m)
Boom Travel (Above Horizontal)		80°
Boom Travel (Below Horizontal)		-8
Platform Capacity	300 lbs. (136.9 kg)	

OPTIONAL EQUIPMENT

- Van Mount Configuration
- 24" x 24" x 42" Curbside Cutout Platform (Non-insulated)
- 24" x 30" x 42" Side Mount Platform (Insulated)
- 24" x 24" x 42" Square Splicer Platform (Non-insulated)
- 350 lb. Platform Capacity
- Platform Liner (Insulated)
- Vinyl Platform Covers
- Continuous Unrestricted Rotation
- Two Speed Throttle Control
- Hydraulic Tool Outlets Above and/or Below Rotation
- 12 Volt Auxiliary Let Down
- Stop/Start At Lower Controls
- A-Frame Outriggers
- 20 Gallon Remote Oil Reservoir
- Manual Hi/Low Speed

WORKING ENVELOPE



For More Information:

TEREX TELELECT
TEREX TELELECT IS A UNIT OF TEREX CRANES

600 Oakwood Road
PO BOX 1150
Watertown, SD 57201
USA

Phone: (605) 882-4000
Facsimile: (605) 882-1842