



# *Parts Manual*

Serial Number Range

***AL5000***

(from SN AL507-100 to  
AL512-516)

Part No. 116443

Rev C20

July 2017

---

## Technical Publications

Genie has endeavored to deliver the highest degree of accuracy possible. However, continuous improvement of our products is a Genie policy. Therefore, product specifications are subject to change without notice.

Readers are encouraged to notify Genie of errors and send in suggestions for improvement. All communications will be carefully considered for future printings of this and all other manuals.

---

## Contact Us:

Internet: [www.genielift.com](http://www.genielift.com)  
e-mail: [awp.techpub@terex.com](mailto:awp.techpub@terex.com)

---

## Find a Manual for this Model

Go to <http://www.genielift.com>


Use the links to locate Operator's, Parts, Maintenance, and Service and Repair Manuals.

---

Copyright © 2008 by Terex Corporation

116443 Rev C October 2012  
First Edition, Third Printing

"Terex" is a registered trademark of Terex USA, LLC in the USA and many other countries.

 Printed on recycled paper



**Model**

Serial Number: XXXXXXXXXXX-999999

Manufacture Date: 99/99/99      Model Year:

Electrical schematic number: Position 3

Machine unladen weight: 99.999 lbs / 99.999 kg

Axle Weight: Position 23

Tongue weight: Position 54

Tire Pressure: Position 26

Maximum tow speed: Position 50

KVA : Position 44      HZ : Position 42

KW: Position 51      Volts: Position 36

RPM : Position 60      Max amps: Position 57

Max ambient temperature: Position 58

Insulation system: Position 59

Country of manufacture: USA

**Manufacturer:**

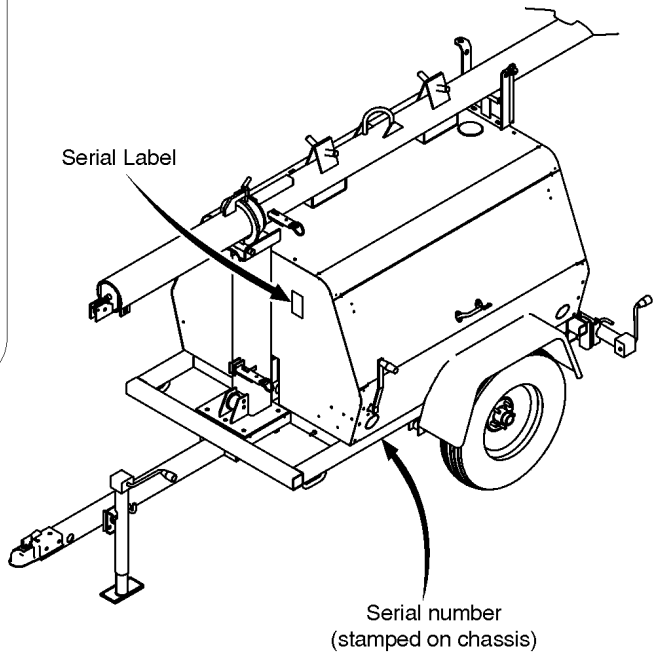
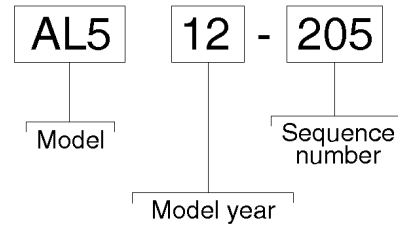
XXXXX  
XXXXX  
XXXXX  
XXXXX

**European Representative:**

XXXXX  
XXXXX  
XXXXX  
XXXXX

**This machine complies with:**

- Compliance STD #1
- Compliance STD #2
- Compliance STD #3



## Table of Contents

This manual is updated frequently. If you have a printed manual, you can keep it up to date by downloading new figures from the Genie website at [www.genielift.com](http://www.genielift.com). For the most up-to-date parts information, visit the Parts Lookup System on the Genie website at [www.genielift.com](http://www.genielift.com).

How to Read Your Serial Number.....	3
Parts Stocking List.....	7
How to Order Parts.....	8
Service Parts Fax Order Form.....	9

### Electronic Version

Click on any page number to view the figure.

### 100 Decals

101.1 Decals with Words, Roadside.....	10
102.1 Decals with Words, Curbside.....	12

### 200 Chassis Components

201.1 Chassis Components.....	14
202.1 Fuel Tank and Hoses, Models Without Spill Containment.....	16
203.1 Fuel Tanks and Hoses, Models With Spill Containment.....	18
204.1 Axles and Brakes.....	20
205.1 Hitches.....	22
206.1 Ballast Assembly.....	24
207.1 Cabinet, View 1.....	26
208.1 Cabinet, View 2.....	28
209.1 Cabinet, View 3, 20kW Option.....	30

### 300 Engines and Generators

301.1 Kubota D1105-E3BG, View 1.....	32
302.1 Kubota D1105-E3BG, View 2.....	34
303.1 Kubota D1105-E3BG, View 3.....	36
304.1 Kubota D1105-E3BG, View 4.....	38
305.1 Kubota V1505 T41, View 1.....	40
306.1 Kubota V1505 T41, View 2.....	42
307.1 Isuzu 4LE2-522, View 1 (to SN AL511-229).....	44
307.2 Isuzu 4LE2,1800R, View 1 (from SN AL511-230).....	46
308.1 Isuzu 4LE2-522, View 2 (to SN AL511-229).....	48
308.2 Isuzu 4LE2,1800R, View 2 (from SN AL511-230).....	50
309.1 Isuzu 4LE2,1800R, Radiator Assembly, from SN AL511-230.....	52
310.1 Generator, Leroy Somer 8 Kw.....	54

311.1 Generator, Marathon 8 Kw.....	56
312.1 Generator, Newage 12 Kw and 20 Kw.....	58
313.1 Generator, Marathon 12 Kw and 20 Kw.....	60

### 400 Electrical Components

401.1 Control Box Assembly, View 1.....	62
402.1 Control Box Assembly, View 2, Standard Box.....	64
403.1 Control Box Assembly, View 2, External Power Access.....	66
404.1 Control Box Assembly, View 2, Roda Deaco.....	68
405.1 Electrical Wiring and Power Cables.....	70

### 500 Mast Components

501.1 Mast Assembly and Winch Cable Routing.....	72
502.1 Tower Base Assembly.....	74
503.1 Winch.....	76
504.1 Round Tube Assembly, 6 Inch.....	78
505.1 Mast Assembly, 4-inch.....	80
506.1 Mast Assembly, 2-inch and 3-inch.....	82
507.1 Mast Crossarm.....	84
508.1 Light Assembly, Round.....	86

### 600 Accessories

601.1 Chassis Options.....	88
602.1 Engine Options.....	90
603.1 Outrigger Options.....	92
604.1 Electric Winch.....	94

### Indices

Part Number Index.....	96
Part Description Index.....	99

### Cross References

***This Page Intentionally Left Blank***



## Required Parts

The following parts are required to perform maintenance procedures as outlined in the Terex AL5000 Parts and Service Manual.

### Kubota D1105-D3BG

Description	Part No.
Air Filter Element.....	866127
Engine Oil Filter.....	866050
Fuel Filter Element.....	839200
In-line Fuel Filter.....	740620
V-Belt.....	839209
Lower Radiator Hose.....	839110
Upper Radiator Hose.....	839109
Hose Clamp, Upper Radiator Hose.....	32185

### Kubota D1505 T41

Description	Part No.
Air Cleaner, Donaldson.....	116413
Engine Oil Filter.....	116509
Fuel Filter Element.....	839200
In-line Fuel Filter.....	740620
V-Belt.....	839209
Lower Radiator Hose.....	116514
Upper Radiator Hose.....	116513
Hose Clamp, Upper Radiator Hose.....	32815

### Isuzu, 4LE1PV02

Description	Part No.
Air Filter Element (to SN AL511--229).....	834460
Air Filter Assembly (from SN AL511-230).....	T113769
Engine Oil Filter (to SN AL511-229).....	868075
Engine Oil Filter (from SN AL511-230).....	T113767
Fuel Filter Element (to SN AL511-229).....	868137
Fuel Filter Element (from SN AL511-230).....	116151
V-Belt (to SN AL511-229).....	868067
V-Belt (from SN AL511-230).....	T113776

### Fuel Lines

Description	Part No.
Fuel Return Hose, 1/8" (refer to 203.1).....	890785
Hose, Fuel, 5/16" (refer to 203.1).....	890795
Hose Clamp, 5/16" Fuel Line.....	898590

## Recommended Parts

Description	Part No.
Mechanical Jack.....	841430
Snap Ring, Mechanical Jack.....	840222
Kit, Plunger Pin, Outrigger.....	970260
Grease Seal Bearing.....	834225
Cotter Pin, Wheel Bearing.....	834255
Kit: Upper Cable Assembly.....	109070
Kit: Lower Cable Assembly.....	109065

### Control Box

Description	Part No.
Relay, 12VDC.....	R661490
Breaker, 20A.....	T113642
Breaker, 15A.....	T113641
Breaker, 30A.....	T113644

### Generator, Marathon

Description	Part No.
Capacitor, 6KW, 60Hz.....	58356
Capacitor, 8KW, 60Hz.....	85207
Capacitor, 7.5KW, 50Hz.....	229457
Diode.....	836853
Surge Protector.....	836856

## How to Order Parts

Please be prepared with the following information when ordering replacement parts for your Terex or Genie product.

- Machine model number
- Machine serial number
- Part number
- Part description and quantity
- Purchase order number
- "Ship to" address
- Desired method of shipment
- Name and telephone number of the authorized distributor in your area

Use the Service Parts Fax Order Form on the next page and fax your order to our Parts Department.

If you don't know the name of your authorized distributor, or if your area is not currently serviced by an authorized distributor, please call Terex or Genie Industries.

## Machine Information

---

Model

---

Serial Number

---

Date of Purchase

---

Authorized Genie Distributor

---

Phone Number

### North America

Telephone (425)881-1800

Toll Free (800)536-1800 in US and Canada

Fax (425)556-8659

Toll Free fax (888)274-6192

Email [AWP.PartsSalesPO@terex.com](mailto:AWP.PartsSalesPO@terex.com)

<http://genielift.com/en>

### EMEAR (Europe, Middle East, Africa and Russia)

Telephone (31)(165)519 313

Fax (31)(165)511 148

<http://genielift.co.uk>

### Asia Pacific (Genie Singapore)

Telephone +65 6692 7777

Fax +65 6261 8893

<http://genielift.com.sg/>

### Australia

Telephone (61)(7)3456 4444

Fax (61)(7)3456 4466

<http://genielift.com.au>

### South America

Telephone (55)(11)4082 5600

Fax (55)(11)4082 5630



**Service Parts Fax Order Form**

Fax to: (425) 556-8659 or Toll Free: 888-274-6192  
International: +1-425-556-8659



**Please fill out completely**

Date \_\_\_\_\_ Account Number \_\_\_\_\_  
 Your Name \_\_\_\_\_ Your Fax Number \_\_\_\_\_  
 \_\_\_\_\_ Your Phone Number \_\_\_\_\_  
 Bill To \_\_\_\_\_ Ship To \_\_\_\_\_  
 \_\_\_\_\_  
 \_\_\_\_\_  
 Purchase Order Number \_\_\_\_\_ Ship Via \_\_\_\_\_

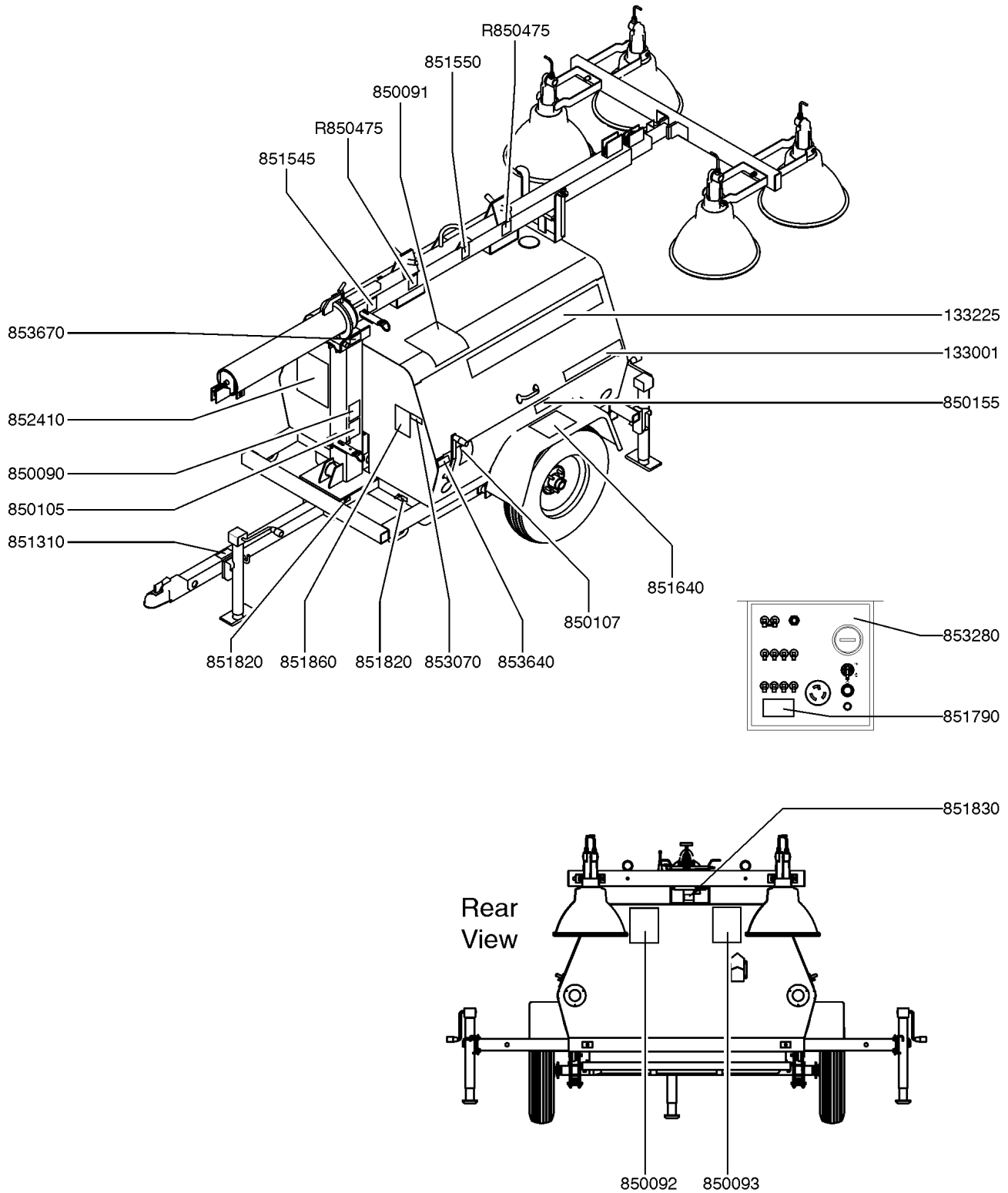
**Model(s)** \_\_\_\_\_ **Serial No.(s)** \_\_\_\_\_  
**Optional Equipment** \_\_\_\_\_

Part Number	Description	Quantity	Price

All back-ordered parts will be shipped when available via the same ship method as the original order unless Noted below:

- Ship complete order only - No back orders
- Ship all available parts and contact customer on disposition of back-ordered parts
- Other (please specify)

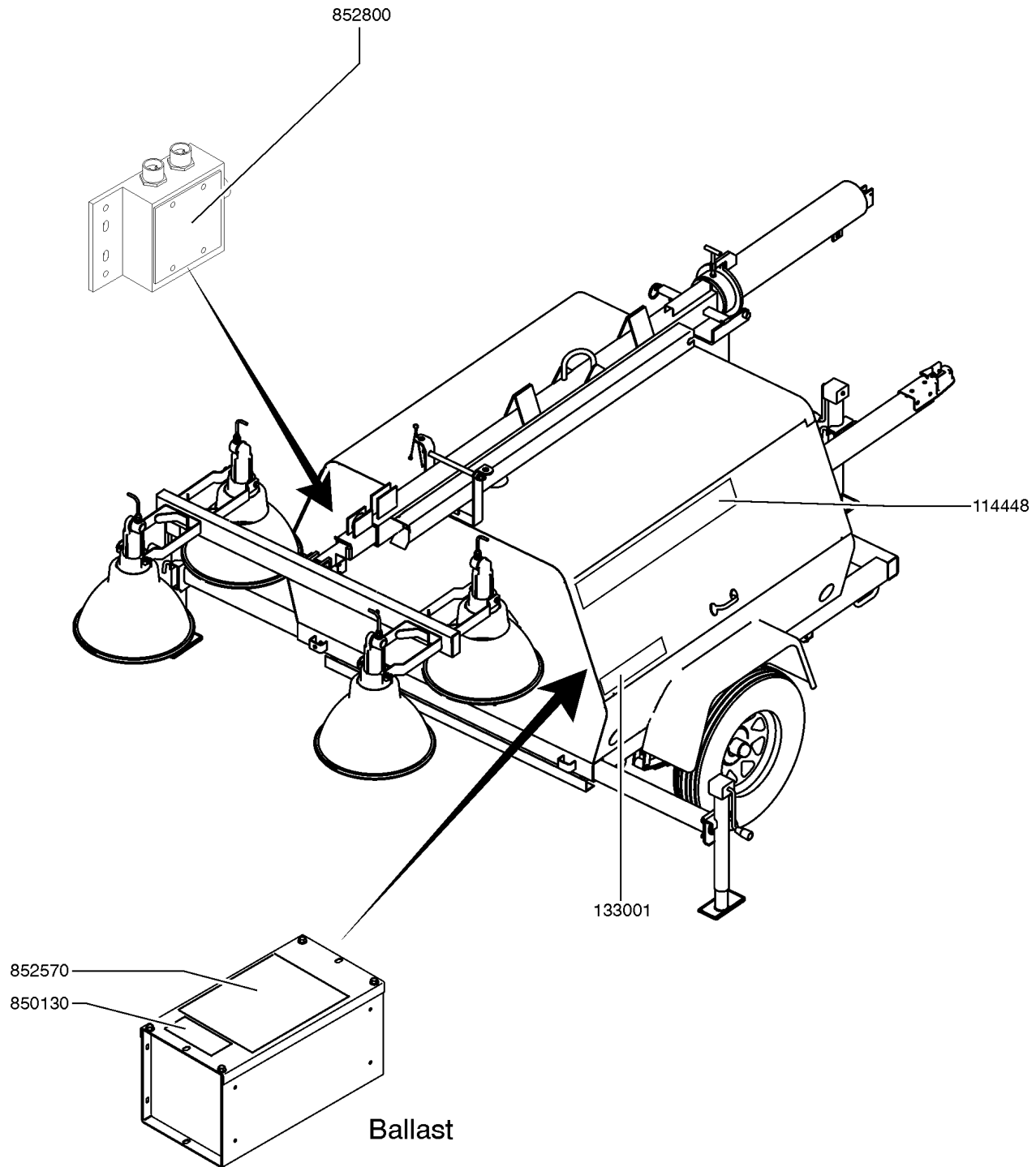
101.1 Decals with Words, Roadside



## 101.1 Decals with Words, Roadside

Item	Part No.	Description	Qty.
1	133001GT	COSMETIC,AL5000.....	2
2	133225GT	DECAL,COSMETIC,TEREX,4X40-R.....	1
3	850090GT	DECAL- CAUTION STAND.....	1
4	850091GT	DECAL- DANGER CRUSH HAZARD.....	1
5	850092GT	DECAL- DANGER FALLING.....	1
6	850093GT	DECAL- DO NOT STAND BEHIND TOW.....	1
7	850105GT	DECAL-DANGER DO NOT PULL LOCK.....	1
8	850107GT	DECAL-CAUTION WINCH LOCK SYST.....	1
9	850155GT	DECAL- NO.2 DIESELFUEL ONLY.....	2
10	851310GT	DECAL-ATTN ALL JACKS MUST BE.....	3
11	851545GT	DECAL- WARNING SHOCK HAZARD....	1
12	851550GT	DECAL- LIFT MACHINEHERE.....	2
13	851640GT	DECAL- TOWER OPERATING.....	2
14	851790GT	DECAL- CAUTION TURN LIGHTS.....	1
15	851820GT	DECAL- SYMBOL FOR GROUND.....	1
16	851830GT	DECAL- HORIZONTAL LOCK 4541.....	1
17	851860GT	DECAL-DANGER ELECT SHOCK HAZAR.....	1
18	852410GT	DECAL-OPERATING INSTRUCTIONS...1	1
19	853070GT	DECAL- CAUTION READ.....	1
20	853280GT	DECAL- CONTROL BOX 4L.....	1
21	853640GT	DECAL- CAUTION WINCH.....	1
22	853670GT	DECAL- CRUSH AREA 4 X 2.....	1
23	R850475GT	DECAL-DANGER,FORKS MUST BE INS.....	4

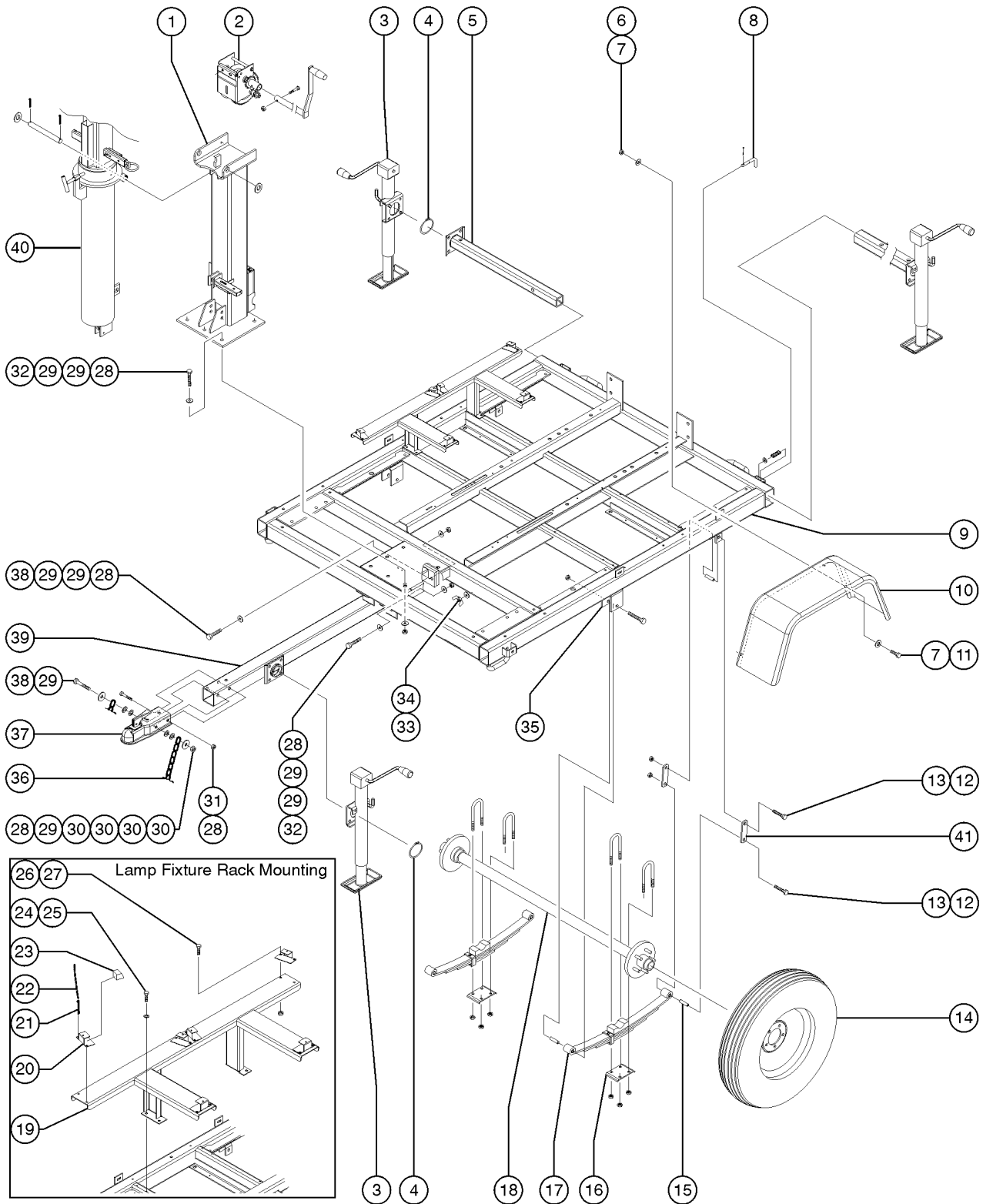
102.1 Decals with Words, Curbside



102.1 Decals with Words, Curbside

Item	Part No.	Description	Qty.
1	114448GT	COSMETIC,TEREX LOGO-LG.....	1
2	133001GT	COSMETIC,AL5000.....	2
3	850130GT	DECAL- DANGER HIGHVOLTAGE.....	6
4	852570GT	DECAL,BATTERY WARN &.....	1
5	852800GT	DECAL,CAUTION,TIGHTEN.....	1

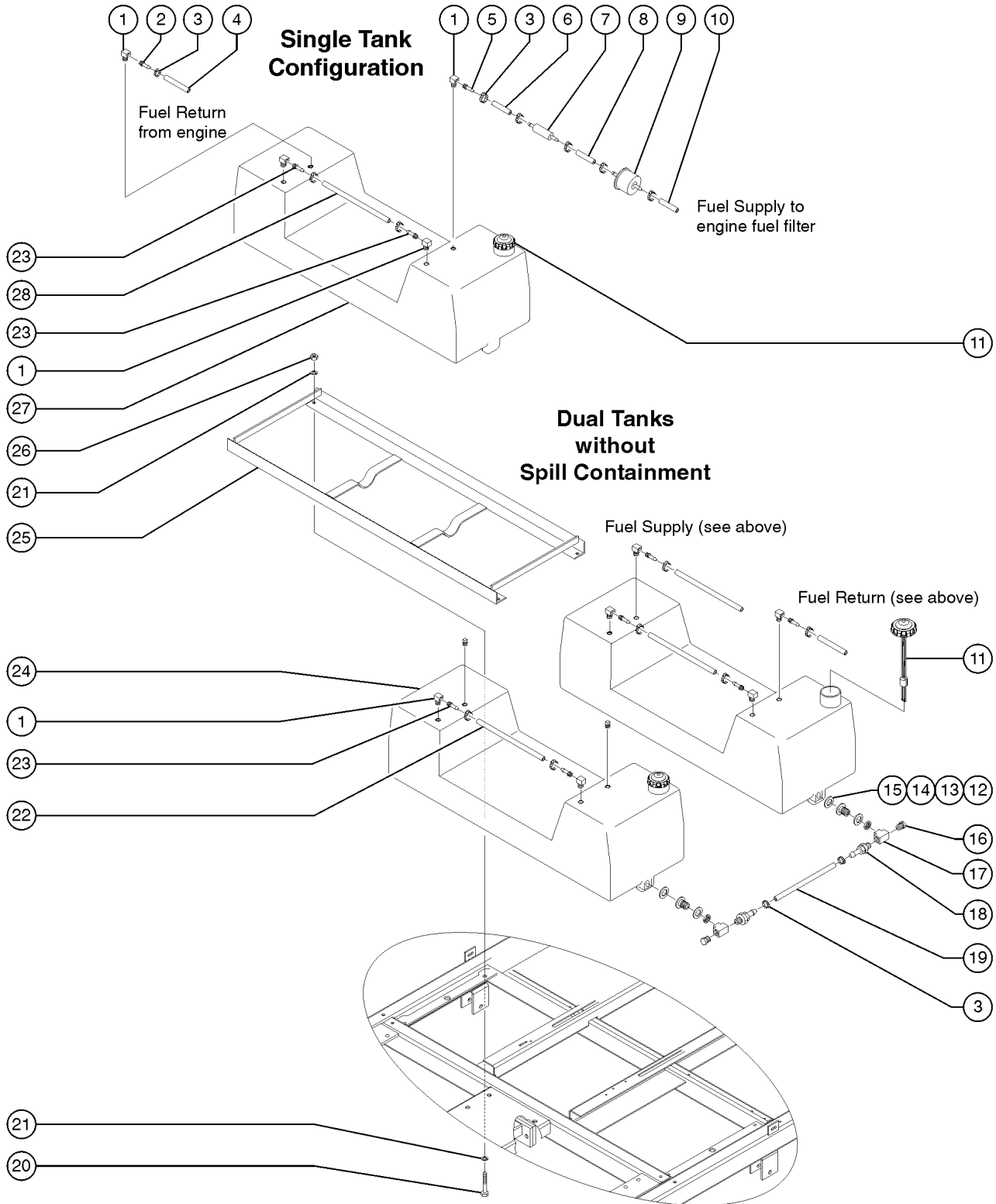
201.1 Chassis Components



201.1 Chassis Components

Item	Part No.	Description	Qty.	Item	Part No.	Description	Qty.
1		Ref. Tower Base <i>(refer to 502.1)</i>		36	22111936GT	CHAIN,SAFETY,3000#,3/8 X 30 IN.....1	
2		Ref. Winch <i>(refer to 503.1)</i>		37		Ref. COUPLER,BALL,2" CLASS II.....1 <i>(refer to 205.1)</i>	
3		Ref. JACK,MECHANICAL,3000LB.....3 <i>(refer to 603.1)</i>		38	6096GT	SCREW,HHC,1/2-13 X 2 GR5	
4	840222GT	SNAP RING,JACK (841430).....3		39	124470GT	TONGUE B-O-H W/JACKBR.....1	
5A	114612GT	OUTRIGGER,3X2X32.5,GALVANIZED <i>(models with steel fenders, shown)</i>		40		Ref. Round Tube Assembly <i>(refer to 504.1)</i>	
5B	114613GT	OUTRIGGER 3X2X33REARAL5000.....2 <i>(models with plastic fenders, not shown)</i>		41	216633GT	KIT,SHACKLE SHOULDER BOLT ASSY <i>(includes shackle assembly, bolt, link, and nuts)</i>	
6	6091GT	NUT,NYLOCK,1/4-20		--	216632GT	MA-SHACKLE/SHOULDER BOLT ASSY <i>(includes 1 link with 2 bolts pressed into it)</i>	
7	75144GT	WASHER,FLAT,SAE 1/4",ZINC					
8		Ref. KIT:OUTRIGGER PLUNGER PIN ASSY.....2 <i>(refer to 603.1)</i>					
9	T108775GT	WELDMENT, CHASSIS.....1					
10		Ref. Fender <i>(refer to 207.1)</i>					
11	994130GT	SCREW,HHC,1/4-20 X 1					
12	216631GT	BOLT,AXLE,3/16X3 W/7/16-20STEP					
--	841473GT	SHACKLE,AXLE,4-5/8" LONG					
13	216634GT	NUT,FLANGE,7/16-20, TOP LOCK					
14	841061GT	WHEEL/TIRE ASSY,15",205/75 LRC.....2					
15	834246GT	SPRING EYE BUSHING					
16	834267GT	KIT,AXLE,U-BOLT & PLATE & NUTS					
17	834211GT	SPRING,LEAF FOR AXLE, 4 PLY.....2					
18		Ref. Axle <i>(refer to 204.1)</i>					
19	114715GT	FIXTURE MOUNTINGBRKT.....1					
20	184840GT	FIXTURE STOR.CUSH.BRK.....12					
21	793490GT	PIN COTTERLESS HITCH1.....4					
22	790930GT	CHAIN JACK #12 ZP100FT/CARTON.....2					
23	720401GT	FIXTURE MOUNT CUSHION.....12					
24	990450GT	SCREW 5/16-18NCX3/4 HHC					
25	990460GT	WASHER LOCK 5/16 ZP BIN					
26	993440GT	SCREW,HHC,1/4-20 X 3/4 GR2 ZP					
27	990150GT	NUT,NYLOCK,1/4-20 GR2					
28	6198GT	NUT,NYLOCK,1/2-13					
29	6095GT	WASHER,FLAT,USS,1/2",Y					
30	991650GT	WASHER LOCK 1/2ZP					
31	995310GT	SCREW,HHC,1/2-13 X 4 G					
32	994600GT	SCREW 1/2-13NCX1-1/2H					
33	993240GT	NUT,WING 3/8-16 ZP					
34	991690GT	WASHER LOCK STAR 3/8					
35	840392GT	HANGER,AXLE REAR,1.25F.....2 <i>(weld-on only)</i>					

202.1 Fuel Tank and Hoses, Models Without Spill Containment

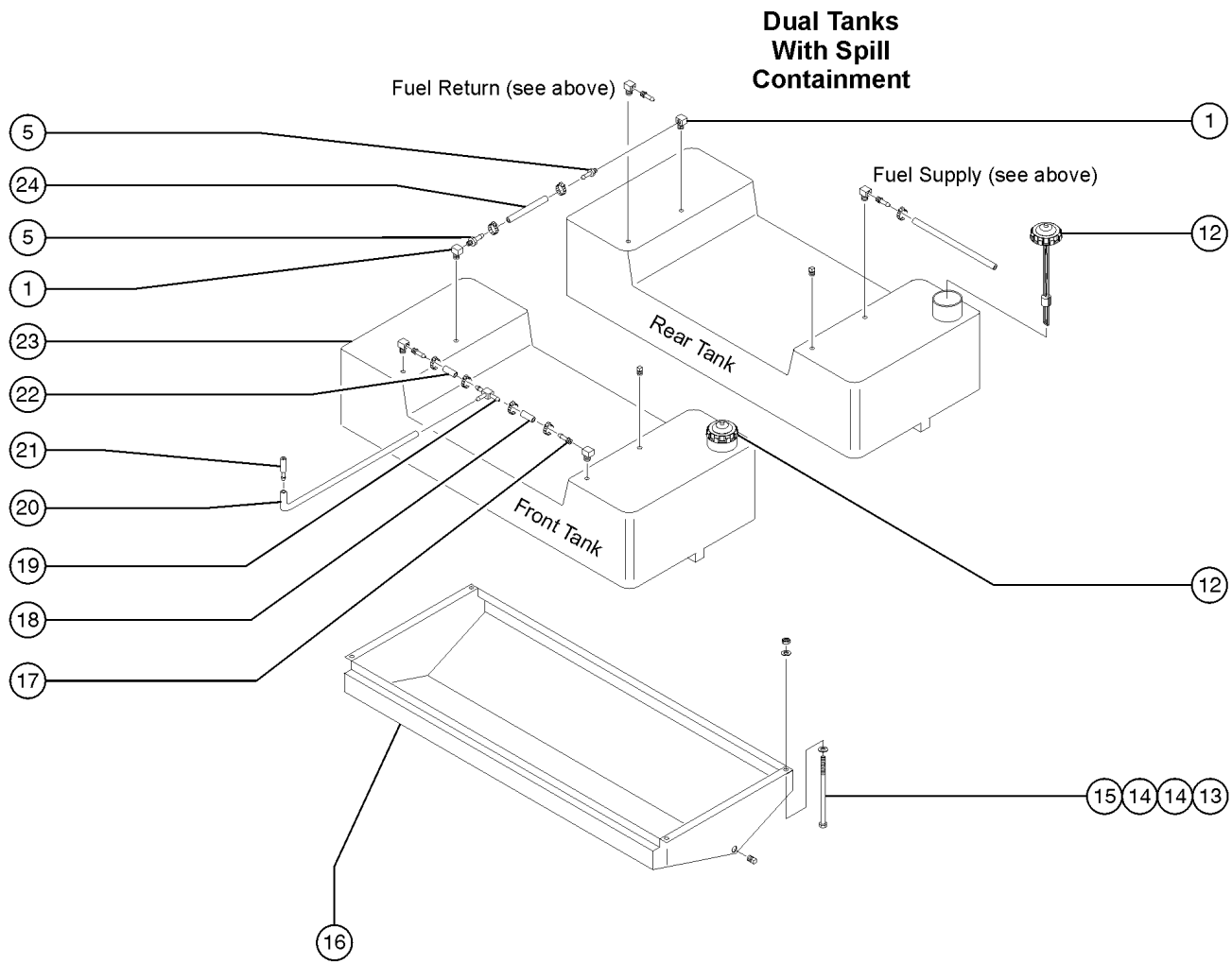
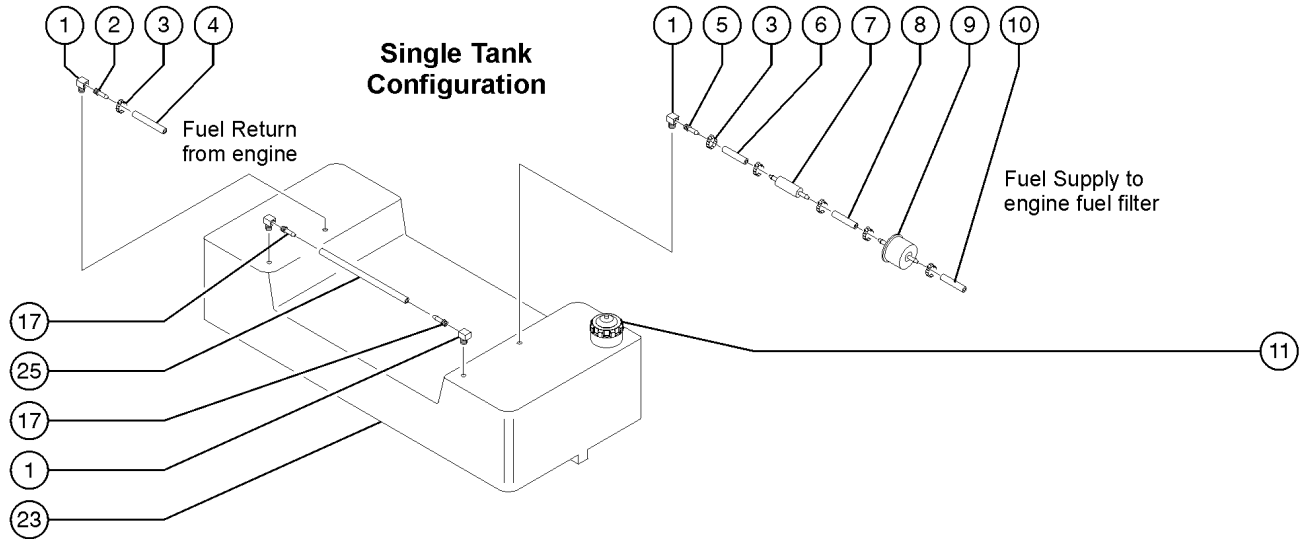




202.1 Fuel Tank and Hoses, Models Without Spill Containment

Item	Part No.	Description	Qty.	Item	Part No.	Description	Qty.
1	891520GT	PIPE FITTING STR ELBO <i>(quantity 2 per tank)</i>		26	4828GT	NUT,NYLOCK,3/8-16.....	4
2A	891560GT	HOSE FITTING PIPE/BAR <i>(Kubota)</i>		27	741701GT	FUEL TNK ASSY,PLAS,30G,AL5&AL8....1 <i>(models with 1 tank)</i>	1
2B	891530GT	HOSE FITTING PIPE/BARB, 1/4" <i>(Isuzu)</i>		28	890790GT	HOSE,FUEL,1/4"ID,PUSH LOK,200#.....	3.75-feet
3	792750GT	CLAMP 7/16 TO 25/32					
4A	890785GT	HOSE,FUEL,1/8"ID.....	3.75-feet				
		<i>(Kubota) (quantity approximate)</i>					
4B	890790GT	HOSE,FUEL,1/4"ID,PUSH LOK,200#.....	3.75-feet				
		<i>(Isuzu) (quantity approximate)</i>					
5	898590GT	HOSE FITTING PIPE/BAR.....	1				
6	890795GT	HOSE,FUEL,5/16"ID.....	0.5-feet				
		<i>(quantity approximate)</i>					
7	740620GT	FILTER,IN-LINE,FUEL,5/16".....	1				
8	890795GT	HOSE,FUEL,5/16"ID.....	1.5-feet				
		<i>(quantity approximate)</i>					
9	660320GT	PUMP,FUEL, 12VDC.....	1				
--	995810GT	SCREW 1/4-20NCX5/8 HW					
10	890795GT	HOSE,FUEL,5/16"ID.....	3-feet				
		<i>(quantity approximate)</i>					
11	741715GT	CAP,FUEL,VENTED WITH GAUGE <i>(quantity 1 per tank)</i>					
12	996375GT	NUT HEX HEAD JAM 3/4-.....	2				
		<i>(models with 2 tanks)</i>					
13	990230GT	WASHER,FLAT,3/4 ZP.....	2				
		<i>(models with 2 tanks)</i>					
14	189790GT	PLUG,DRAIN,FUEL TANK.....	2				
		<i>(models with 2 tanks)</i>					
15	189785GT	WASHER RUBBER BUNA-N.....	2				
		<i>(models with 2 tanks)</i>					
16	891190GT	PIPE PLUG 1/8 CS.....	2				
		<i>(models with 2 tanks)</i>					
17	R890065GT	HOSE FITTING PIPE/BARB 1/8MX.....	2				
18	891530GT	HOSE FITTING PIPE/BARB, 1/4".....	2				
19	890790GT	HOSE,FUEL,1/4"ID,PUSH LOK,200#.....	3.5-feet				
		<i>(models with 2 tanks) (quantity approximate)</i>					
20	35729GT	SCREW,HHC,3/8-16 X 8.5.....	4				
21	6097GT	WASHER,FLAT,USS,3/8",Y.....	8				
22	890790GT	HOSE,FUEL,1/4"ID,PUSH LOK,200#.....	3.5-feet				
		<i>(quantity approximate)</i>					
23	891530GT	HOSE FITTING PIPE/BARB, 1/4" <i>(quantity 1 per tank)</i>					
24	162280GT	FUEL TANK,30 GAL W DRAIN HOLE....2 <i>(models with 2 tanks)</i>					
25	114720GT	FUEL TANK BRKT.2538 A.....	3.75-feet				
		<i>(quantity approximate)</i>					

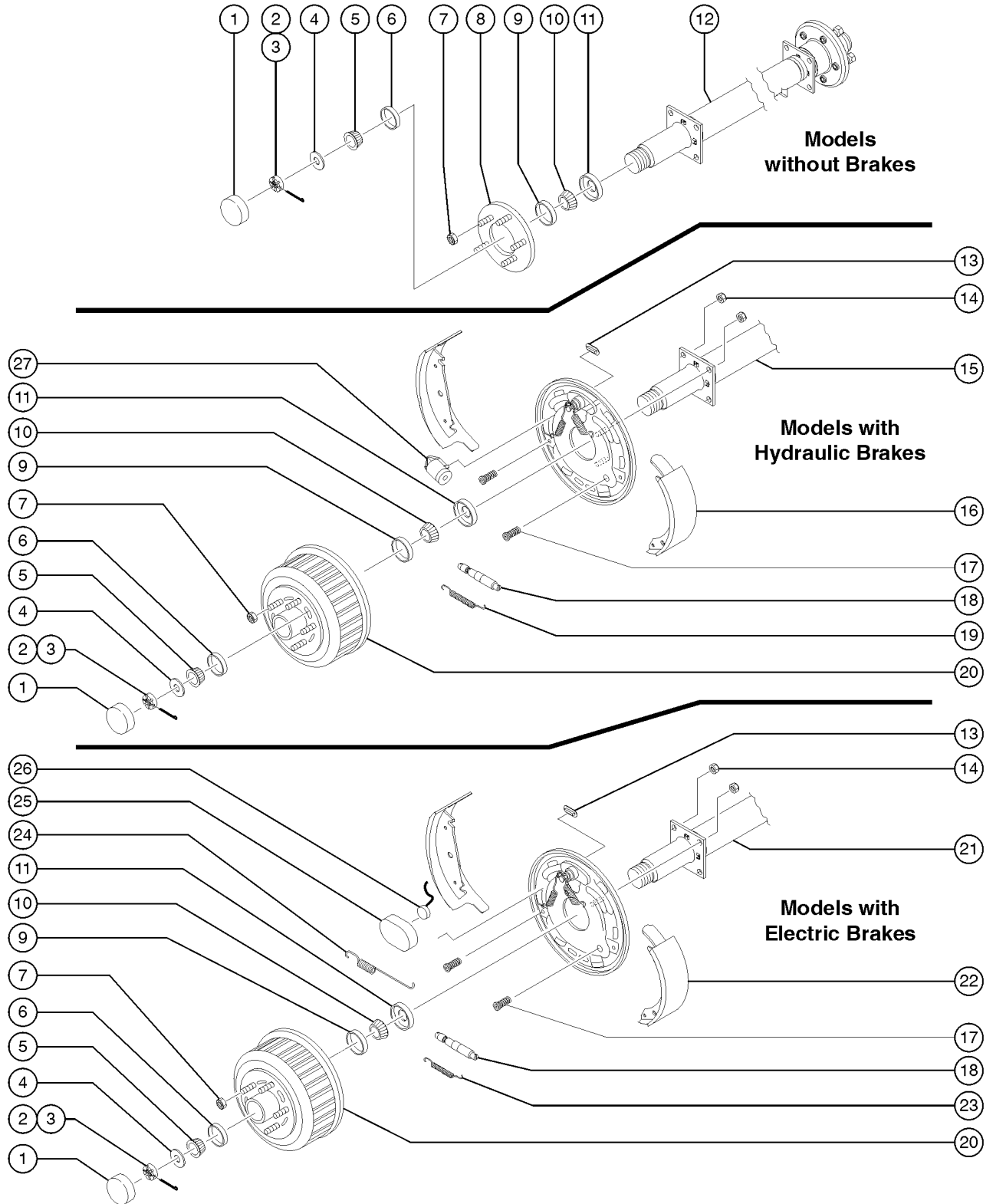
203.1 Fuel Tanks and Hoses, Models With Spill Containment



## 203.1 Fuel Tanks and Hoses, Models With Spill Containment

Item	Part No.	Description	Qty.
1	891520GT	PIPE FITTING STR ELBO <i>(quantity two per tank)</i>	
2A	891560GT	HOSE FITTING PIPE/BAR.....1 <i>(Kubota)</i>	
2B	891530GT	HOSE FITTING PIPE/BARB, 1/4".....1 <i>(Isuzu)</i>	
3	792750GT	CLAMP 7/16 TO 25/32	
4A	890785GT	HOSE,FUEL,1/8"ID.....3.75-feet <i>(Kubota) (quantities approximate)</i>	
4B	890790GT	HOSE,FUEL,1/4"ID,PUSH LOK,200#.....3.75-feet <i>(Isuzu) (quantities approximate)</i>	
5	898590GT	HOSE FITTING PIPE/BAR	
6	890795GT	HOSE,FUEL,5/16"ID.....0.5-feet <i>(quantity approximate)</i>	
7	740620GT	FILTER,IN-LINE,FUEL,5/16".....1	
8	890795GT	HOSE,FUEL,5/16"ID.....1.5-feet <i>(quantity approximate)</i>	
9	660320GT	PUMP,FUEL, 12VDC.....1	
--	995810GT	SCREW 1/4-20NCX5/8 HW	
10	890795GT	HOSE,FUEL,5/16"ID.....3-feet <i>(quantity approximate)</i>	
11	741715GT	CAP,FUEL,VENTED WITH GAUGE.....1 o r 2 <i>(models with one tank)</i>	
12	125641GT	CAP,FUEL,NON VENTED WITH GAUGE.....2 <i>(models with two tanks and spill containment)</i>	
13	992310GT	SCREW 3/8-16NCX6HHCS	
14	990080GT	WASHER FLAT 3/8USS ZPBIN	
15	990170GT	NUT LOCK NYLON INSERT 3/8	
16	119668GT	WELDMENT,CONTAINMENT TANK.....1	
17	891530GT	HOSE FITTING PIPE/BARB, 1/4".....2	
18	890790GT	HOSE,FUEL,1/4"ID,PUSH LOK,200#.....1.75-feet <i>(quantity approximate)</i>	
19	215348GT	TEE,HOSE,BRASS,1/4.....1	
20	890790GT	HOSE,FUEL,1/4"ID,PUSH LOK,200#.....3-feet <i>(quantity approximate)</i>	
21	895371GT	CHECK VALVE - 1/4".....1	
22	890790GT	HOSE,FUEL,1/4"ID,PUSH LOK,200#.....1.75-feet <i>(quantity approximate)</i>	
23	741701GT	FUEL TNK ASSY,PLAS,30G,AL5&AL8	
24	890795GT	HOSE,FUEL,5/16"ID.....3.5-feet <i>(quantity approximate)</i>	
25	890790GT	HOSE,FUEL,1/4"ID,PUSH LOK,200#.....3.5-feet <i>(quantity approximate)</i>	

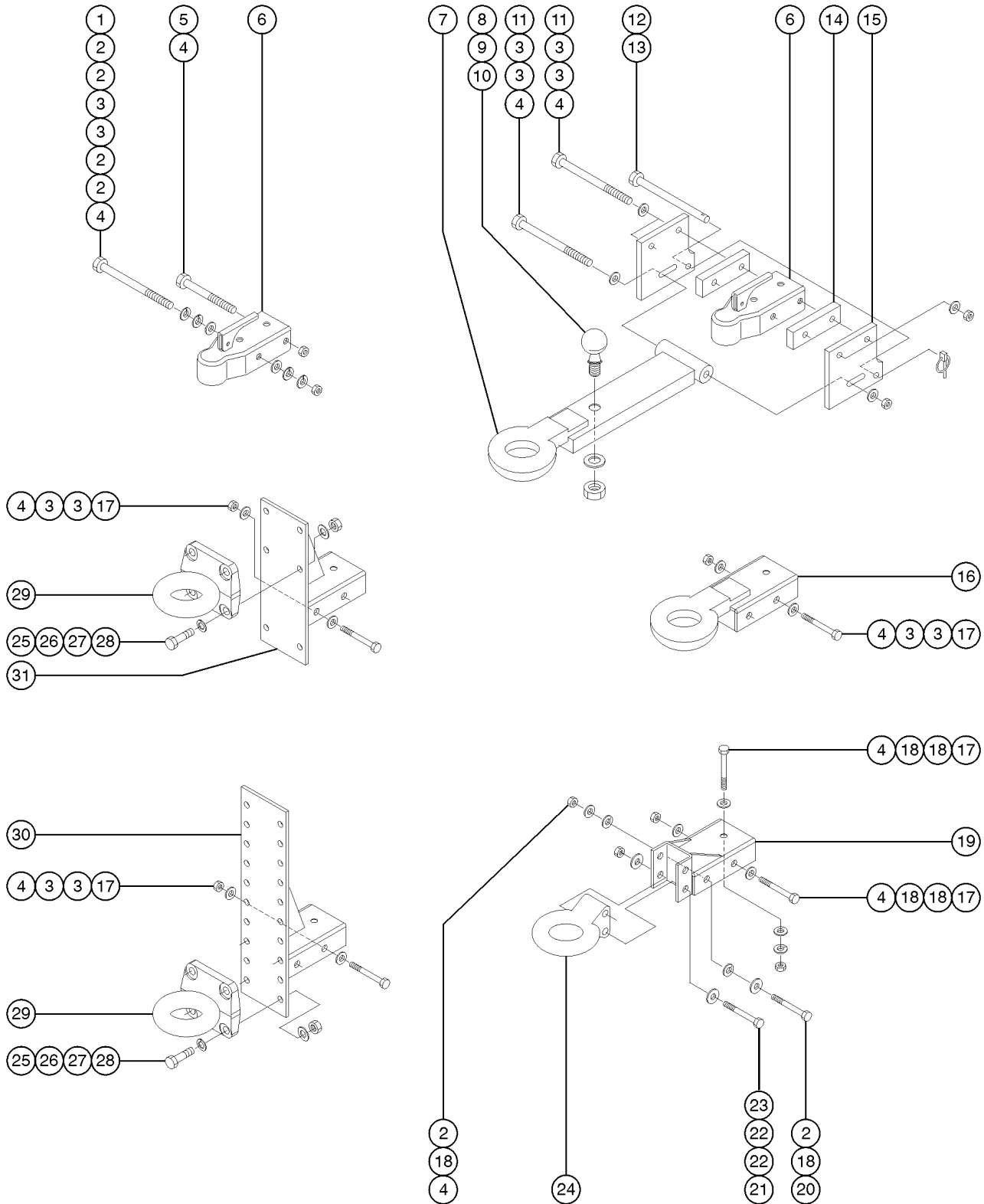
204.1 Axles and Brakes



## 204.1 Axles and Brakes

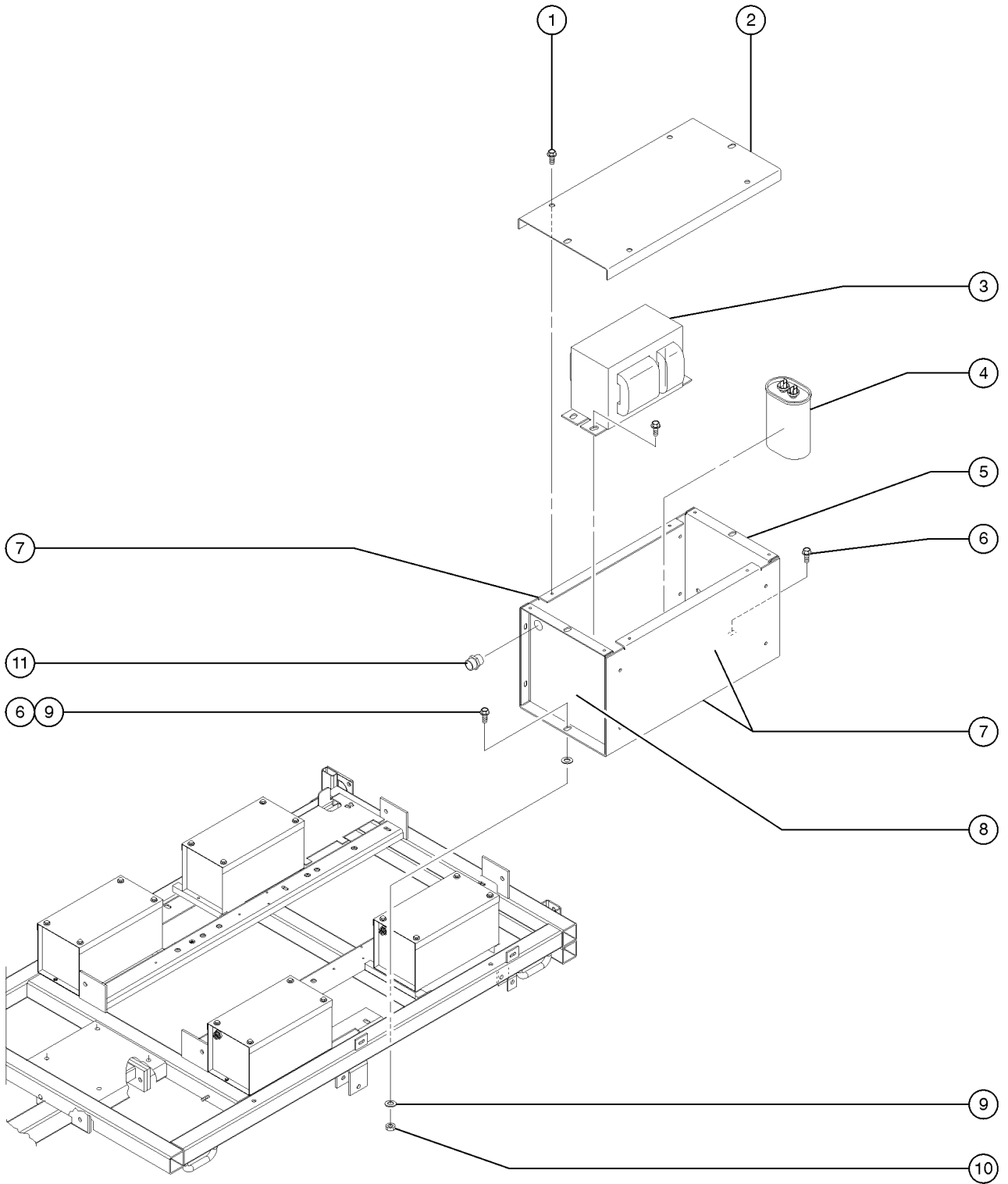
Item	Part No.	Description	Qty.
1	834228GT	GREASE CAP, AXLE, 3000LB.....	2
2	834250GT	HAMMERBLOW SPINDLE NUT,AXLE....	2
3	834255GT	HAMMERBLOW 033008COTTER PIN....	2
4	147123GT	WASHER,PLAIN,1".....	2
5	230561GT	BEARING,ALXL,840377,841050.....	2
6	230562GT	RACE,ALXL,840377,841050.....	2
7	840376GT	NUT,WHEEL, 1/2 X 20.....	10
8	230566GT	IDLER HUB,ALXL.....	2
9	230563GT	RACE,ALXL,840377,841050.....	2
10	834226GT	INNER BEARING.....	2
11	52265GT	SEAL,GREASE (SL173)..... <i>replaced 834225GT</i>	2
12	840377GT	AXLE ASSY,3500LB,IDLE,AL5,7,8.....	1
13		COVER,ADJ SCREW,ALXL,BRAKE..... <i>(no longer available from supplier)</i>	2
14	230560GT	NUT,7/16,FH,ZINC,BRAKE, ALXL.....	10
15A	228092GT	AXLE W/HYD SURGE BRK/BALL AL5 <i>models with ball hitch</i>	
15B	228093GT	AXLE W/HYD SURGE BRK/RING AL5 <i>models with ring hitch</i>	
16	230571GT	SHOE AND LINING KIT,ALXL,ELEC.....	2
17	230577GT	SHOE HOLD DOWN SPRING,ALXL.....	4
18	230569GT	ADJUSTER SCREW ASSY, ALXL.....	2
19		ADJUSTER SPRING,E BRAKE,ALXL..... <i>(no longer available from supplier)</i>	2
20	230565GT	BRAKE DRUM,ALXL.....	2
21	228461GT	AXLE W/ELECTRIC BRAKES	
22	230570GT	SHOE AND LINING KIT,ALXL,HYD.....	2
23	230573GT	ADJUSTER SPRING,H BRAKE,ALXL.....	2
24	230575GT	RETRACTOR SPRING,E BRK,ALXL.....	2
25	230568GT	MAGNET,ELEC BRAKE, ALXL.....	2
26	230567GT	MAGNET SPRING,ELEC BRAKE,ALXL.....	2
27A	230579GT	WHEEL CYLINDER, LH, ALXL.....	2
27B	230580GT	WHEEL CYLINDER, RH, ALXL.....	2

205.1 Hitches



Item	Part No.	Description	Qty.
--	940000GT	KIT,COMBO HITCH <i>includes items 3-4 and 6-14</i>	
1	994200GT	SCREW 1/2-13NCX5-1/2H.....	1
2	991650GT	WASHER LOCK 1/2ZP.....	8
3	6095GT	WASHER,FLAT,USS,1/2",Y <i>order as required</i>	
4	990200GT	NUT,NYLOCK,1/2-13 GR2 <i>order as required</i>	
5	995310GT	SCREW,HHC,1/2-13 X 4 G.....	1
6	57332GT	COUPLER,BALL,2" CLASS II.....	1
6A	841500GT	**COUPLER SURGE 2" BALL,6000# <i>used with hydraulic brake option only</i>	
6B	841220GT	COUPLER,SURGE,3" RING,6000# <i>used with hydraulic brake option only</i>	
7	T109127GT	HITCH RING,COMBO,16"LENGTH.....	1
8	89163GT	BALL, 2" ZINC.....	1
9	122079GT	WASHER,FLAT,1.000,HARDENED.....	1
10	33265GT	NUT,HEX,1-8.....	1
11	996030GT	SCREW,HHC,1/2-13 X 6 GR5 ZP.....	3
12	183731GT	SCREW,HHC,1/2-13 X 6.....	1
13	78390GT	PIN,LYNCH.....	1
14	T109129GT	SPACER,SIDE,COMBO,HTCH,BOLT-ON.2	
15	176335GT	PLATE,SIDE,COMBO HITCH,BOLT-ON.....	2
16	213770GT	HITCH,RING,BOLT-ON 2.5" ID.....	1
17	13854GT	SCREW,HHC,1/2-13 X 4.5,GRD.8.....	2
18	990210GT	WASHER FLAT 1/2ZP.....	6
19	116936GT	AS-RING HITCH MOUNT.....	1
20	6-5208-44GT	SCREW,HHC,1/2-13 X 5.5,GRD.8.....	1
21	123461GT	SCREW,HHC,5/8-11X4.50,GR8,Y.....	2
22	6035GT	WASHER,FLAT,USS,5/8",Y.....	2
23	6024GT	NUT,NYLOCK,5/8-11.....	1
24A	116937GT	HITCH,2.5"RING,6 TON..... <i>2.5 inch ring</i>	1
24B	T110632GT	HITCH,3"RING,6TON..... <i>3 inch ring</i>	1
25	51131GT	SCREW,HHC,5/8-11 X 2.5.....	4
26	993835GT	WASHER FLAT 5/8.....	4
27	993890GT	WASHER LOCK 5/8 ZP.....	4
28	994630GT	NUT HEX 5/8-11NCGRADE2 ZP.....	4
29A	211410GT	AS-RING HITCH FOR ADJ HT..... <i>2.5 inch ring</i>	1
29B	841200GT	HITCH PINTLE RING 3 I..... <i>3 inch ring</i>	1
30	221580GT	HITCH, ADJ HEIGHT BOLT ON.....	1
31	124450GT	HITCH 24 HEIGHT	

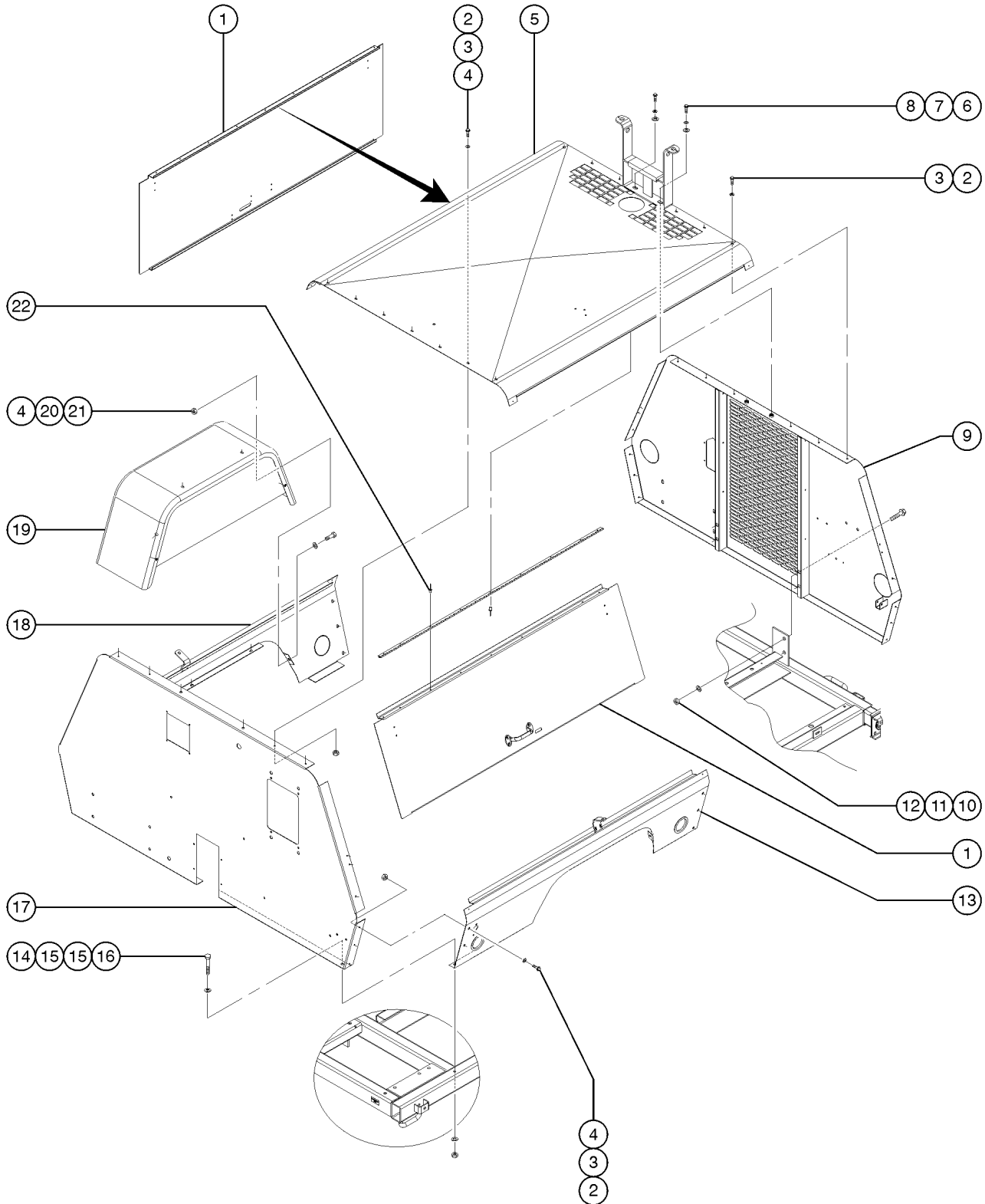
206.1 Ballast Assembly





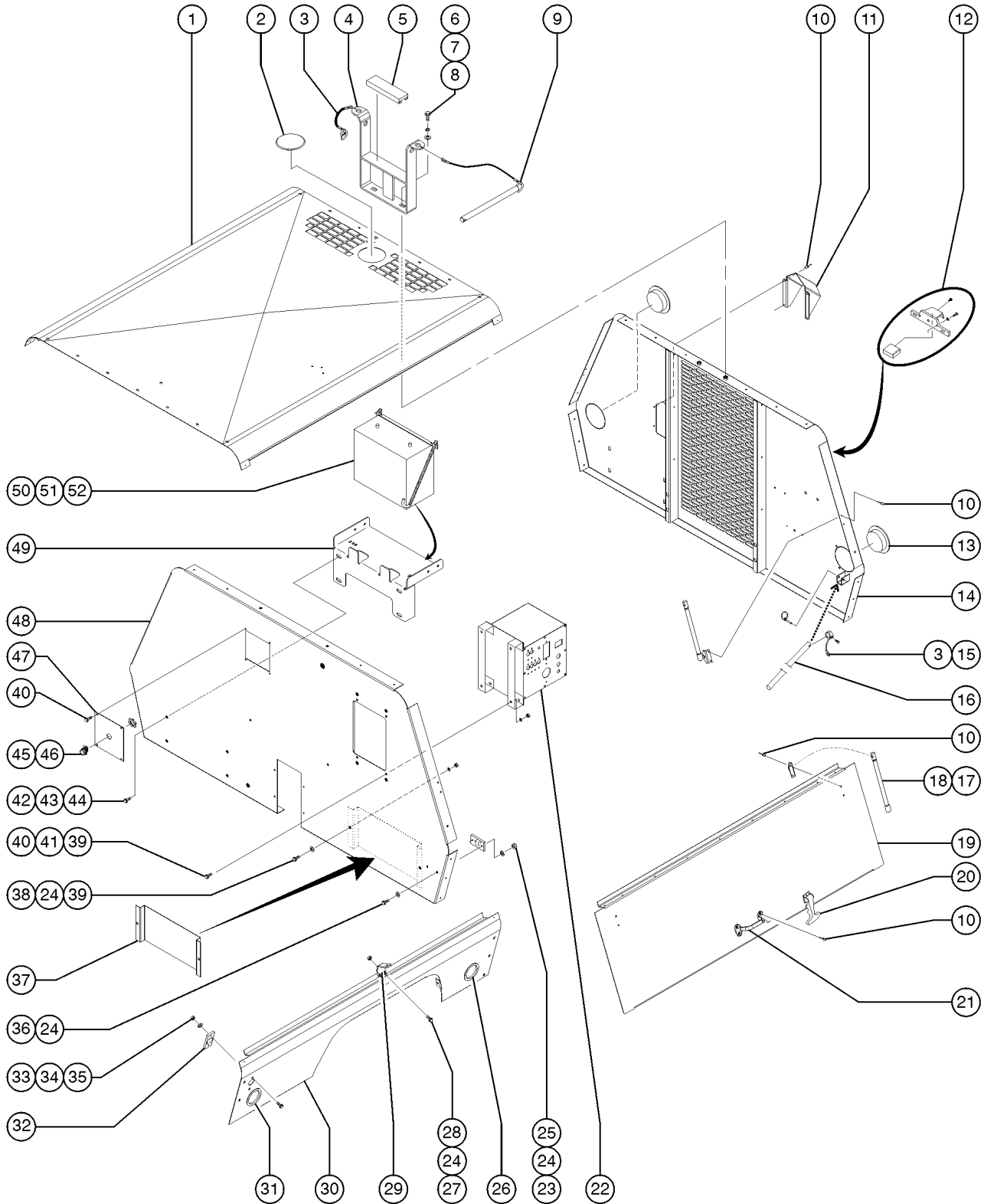
Item	Part No.	Description	Qty.
--	114355GT	BALLAST ASSY,60HZ,MH,1KW,120V <i>(models with metal halide lights)</i>	
--	114895GT	BALLAST ASSY,60HZ,HPS,1000W <i>(models with high pressure sodium lights)</i>	
1	995490GT	SCREW,HH SLOT,1/4 X 0.75.....	12
2	161181GT	FP-BALLAST BOX TOP.....	1
3A	160030GT	BALLAST/CAP MH60Hz120..... <i>(includes item 4A, models with metal halide lights)</i>	1
3B	160040GT	BALLAST HPS 60HZ 120V..... <i>(includes item 4B, models with high pressure sodium lights)</i>	1
4A	160032GT	CAPACITOR 24uF MH 60H..... <i>(models with metal halide lights)</i>	1
4B	160042GT	CAPACITOR, HPS,60HZ,BALLAST..... <i>(models with high pressure sodium lights)</i>	1
5	161185GT	FP-BALLAST BOX FRONT.....	1
6	995490GT	SCREW,HH SLOT,1/4 X 0.75.....	2
7	161180GT	FP-BALLAST BOX BOTTOM.....	1
8	161184GT	FP-BALLAST BOX REAR.....	1
9	990080GT	WASHER FLAT 3/8USS ZPBIN.....	4
10	990170GT	NUT LOCK NYLON INSERT 3/8.....	2
11	663860GT	CONNECTOR 5P MALE RECEPTACLE.....	1

207.1 Cabinet, View 1



Item	Part No.	Description	Qty.
--	972895GT	KIT:CABINET,BOLT-TOGETHER (fastener kit)	
1A	189851GT	CABINET DOOR PANELC/S.....	2
--	189920GT	FOAM CABINET DOOR5430AL5/7000... (models with sound dampening option)	2
1B	T112123GT	FORMING, CABINET DOOR, VENTED.....	1
--	125260GT	WELDMNT,DOOR LOUVER ASSEMBLY.....	1
--	T112134GT	FOAM, CABINET, DOOR, VENTED.....	1
2	995810GT	SCREW 1/4-20NCX5/8 HW	
3	993850GT	WASHER FLAT 1/45/8 SBIN	
4	990150GT	NUT,NYLOCK,1/4-20 GR2	
5	189842GT	CABINET TOP PANEL(GRI.....)	1
6	994600GT	SCREW 1/2-13NCX1-1/2H	
7	991650GT	WASHER LOCK 1/2ZP	
8	994600GT	SCREW 1/2-13NCX1-1/2H	
9	124192GT	CABINET REAR PANEL(LG.....)	1
10	990200GT	NUT,NYLOCK,1/2-13 GR2	
11	993860GT	WASHER,FLAT,1/2 SS 18-8 BIN	
12	990270GT	SCREW,HHC,1/2-13 X 3.5 GR8.....	8
13A	189861GT	CABINET SIDE PANEL ROADSIDE..... (models with steel fenders)	1
13B	189862GT	CABINET SIDE PANELRS (models with plastic fenders)	
14	990160GT	SCREW,HHC,3/8-16 X 3.75	
15	990080GT	WASHER FLAT 3/8USS ZPBIN	
16	990170GT	NUT LOCK NYLON INSERT 3/8	
17A	116421GT	ASY,CABINET FRONT,AL5 NO PWR.....	1
17B	116423GT	ASY,CABINET FRONT,AL5 EXT PWR	
18A	189871GT	CABINET SIDE PANEL CURBSIDE..... (models with steel fenders)	1
18B	189872GT	CABINET SIDE PANELCS..... (models with plastic fenders)	1
19A	123490GT	FENDER W/SKIRT,STEEL.....	2
--	930950GT	WTHRSRIP, 1/4" X 1/2"W.....	2
19B	841611GT	FENDER,PLASTIC,BLACK.....	2
--	930950GT	WTHRSRIP, 1/4" X 1/2"W.....	2
20	990340GT	WASHER FLAT 1/4ZPLENSETBIN	
21	993440GT	SCREW,HHC,1/4-20 X 3/4 GR2 ZP	
22	990670GT	RIVET,POP,SS,3/16"X1/2" BLIND	

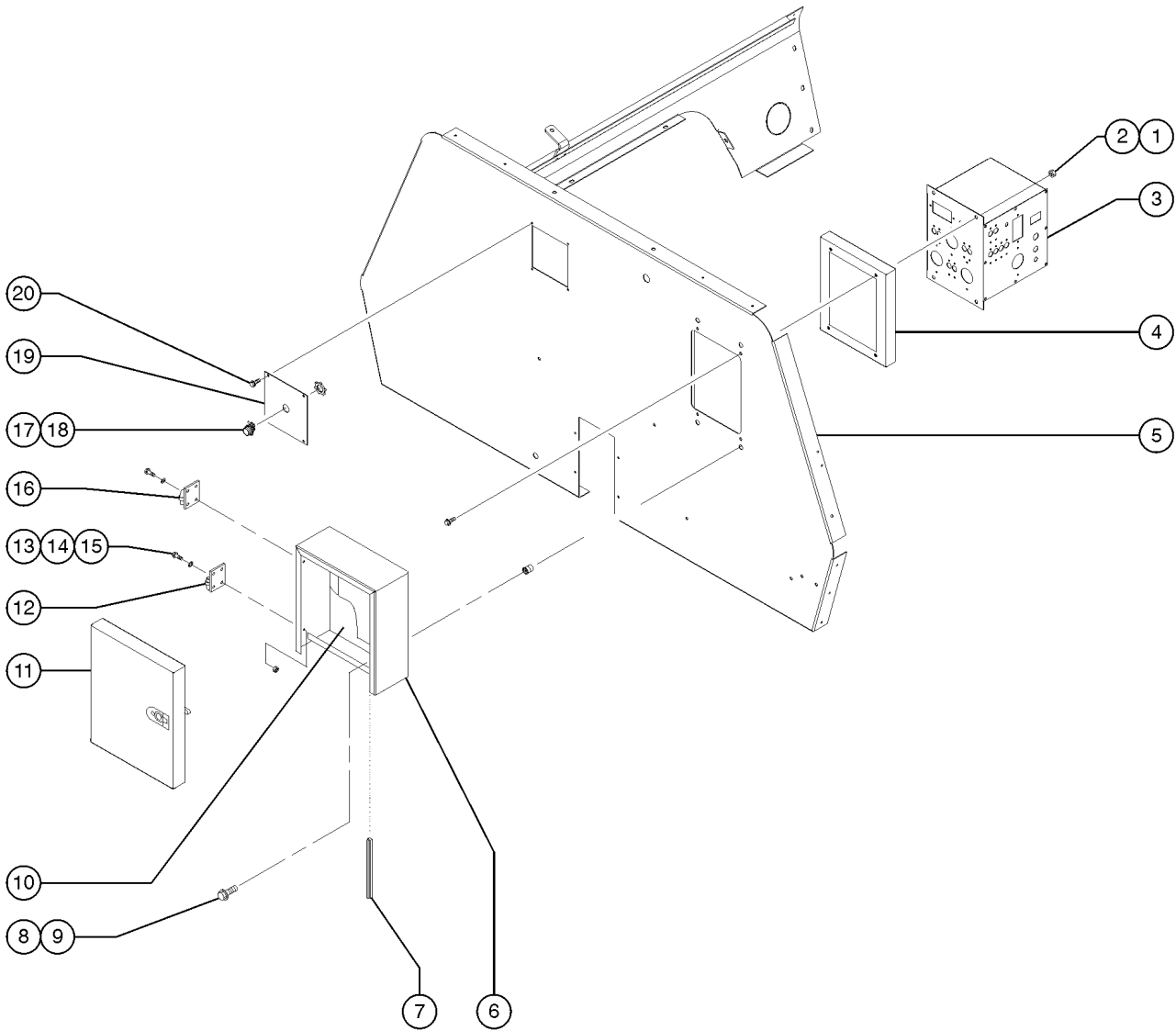
208.1 Cabinet, View 2



## 208.1 Cabinet, View 2

Item	Part No.	Description	Qty.	Item	Part No.	Description	Qty.
1		Ref. TOP PANEL, CABINET (refer to 207.1)		36	994130GT	SCREW,HHC,1/4-20 X 1	
2	57587GT	PLUG, 4", CAPPLUG.....1	1	37	974640GT	KIT:BOOK BRACKET TO CAB.....1	1
3	790540GT	PIN QUICK 1/4X 1.75 ZP.....2	2	--	176370GT	LITERATURE RACK FOR CABINET	
4	237686GT	REAR TOWER SUPPORT 1CC, AL5.....1	1	38	993421GT	SCREW,HHC,1/4-20 X 0.75	
5	720220GT	BUMPER REAR TOWER SUP.....1	1	39	990150GT	NUT,NYLOCK,1/4-20 GR2	
6	994600GT	SCREW 1/2-13NCX1-1/2H		40	995810GT	SCREW 1/4-20NCX5/8 HW	
7	991650GT	WASHER LOCK 1/2ZP		--	974813GT	KIT,ELECT.BOX,MNTG,2-CC	
8	6095GT	WASHER,FLAT,USS,1/2",Y		41	990340GT	WASHER FLAT 1/4ZPLENSETBIN	
9	123680GT	PIN W/RING 3/4X11,HORZ LOCK.....1	1	42	6175GT	SCREW,HHC,3/8-16 X 1	
10	990670GT	RIVET,POP,SS,3/16"X1/2" BLIND		43	6097GT	WASHER,FLAT,USS,3/8",Y	
11	116532GT	TAILPIPE COVER.....1 (includes rivets)	1	44	4828GT	NUT,NYLOCK,3/8-16	
--	990670GT	RIVET,POP,SS,3/16"X1/2" BLIND		45	680030GT	CONNECTOR 2 SCREW 3/4.....1	1
12	663520GT	LIGHT,LICENSE TAG W/BRACKET		46	680250GT	LOCKNUT, CONDUIT 3/4CSA APPVD...1	1
13	663840GT	LIGHT,RECESSED,TAIL/STOP/TURN....2	2	47A	186280GT	PLATE COIL CORD CAB MOUNT.....1	1
--	176380GT	COVER PLATE CABINETTA		47B	186285GT	PLATE,2 COIL CORD, CAB MT.	
14		Ref. REAR PANEL, CABINET (refer to 207.1)		48		Ref. FRONT PANEL, CABINET (refer to 207.1)	
15	682660GT	GROUND CLAMP 3/4 MW 2.....1	1	49	115530GT	BATTERY SUPPORT PAN.....1	1
16	113390GT	MA-GROUND ROD 5/8 X 59.....1	1	50	112300GT	BATTERY.....1	1
--	974686GT	KIT:GROUND ROD TO CAB		51	174170GT	FP-BATTERY HOLDOWN ANGLE.....1	1
17	796438GT	SPRING,GAS,16",80LBS.....4	4	52	182330GT	FP-BATTERY HOLD-DOWN ROD.....2	2
18	796432GT	BRACKET W/BALL,GAS SPRING.....8	8				
19		Ref. DOOR, CABINET (refer to 207.1)					
20	796513GT	LATCH ASSEMBLY.....2 (rubber latch assembly, optional)	2				
21	790940GT	HANDLE,CHROME,5.75".....2	2				
22		Ref. CONTROL BOX (refer to 401.1, 402.1, 403.1 or 404.1)					
23	124420GT	GROUND ROD STORAGETUBE 4397					
24	993850GT	WASHER FLAT 1/45/8 SBIN					
25	124420GT	GROUND ROD STORAGETUBE 4397...1	1				
26	663528GT	LIGHT,SIDE MKR,RED,RECESSED.....2	2				
27	995050GT	SCREW #10-32NFX3/4 LO					
28	995420GT	NUT LOCK NYLON INSERT					
29	189795GT	FP-HASP CABINET DOOR.....2	2				
30		Ref. SIDE PANEL, CABINET (refer to 207.1)					
31	663527GT	LIGHT,SIDE MKR,AMBER,RECESSED.....2	2				
32	184150GT	BUSHING,WNCH HANDL,0.5X2.0X3.5..1	1				
33	6091GT	NUT,NYLOCK,1/4-20					
34	75144GT	WASHER,FLAT,SAE 1/4",ZINC					
35	6090GT	SCREW,HHC,1/4-20 X .75					

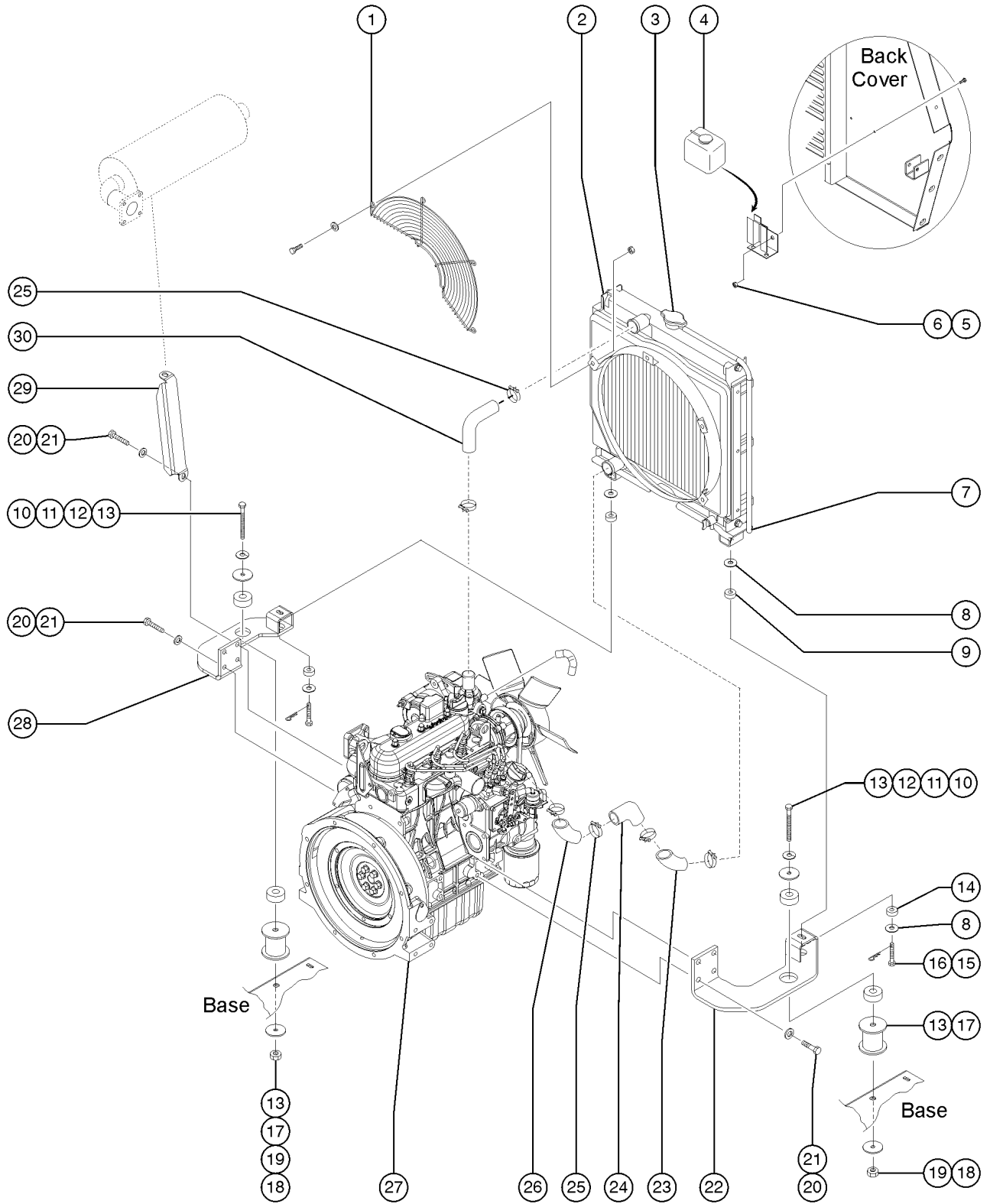
209.1 Cabinet, View 3, 20kW Option



## 209.1 Cabinet, View 3, 20kW Option

Item	Part No.	Description	Qty.
1	990150GT	NUT,NYLOCK,1/4-20 GR2	
2	995810GT	SCREW 1/4-20NCX5/8 HW	
3		Ref. CONTROL BOX (refer to 403.1)	
4	188785GT	SPACER FRAME 1PWR ACC.....1	
5		Ref. FRONT PANEL, CABINET (refer to 207.1)	
6	188735GT	BOX EXT POWERACCESS.....1	
7	GUU401100GT	GASKET,TRIM LOCK SEAL,7/16".....3	
8	990450GT	SCREW 5/16-18NCX3/4 HHC	
9	996380GT	NUTSERT 5/16-18 UNCP/	
10	116068GT	COVER, RUBBER, EXTPOWER AL5.....1	
11	188775GT	DOOR PNL EXT PWRACCES.....1	
12A	C51200308GT	HINGE DOOR STAINLESS.....1 (to SN AL508-327)	
12B	794890GT	HINGE,STAINLESS STEEL,BLACK.....2 (from SN AL508-328)	
13A	C73863GT	SCREW FHSC 10-24X3/4SS (to SN AL508-327)	
13B	C21353GT	BOLT,CARRIAGE 3/8-16X.75 Z KEG (from SN AL508-328)	
14	981120GT	WASHER FLAT 3/8 ZP SAE BIN (from SN AL508-328)	
15A	R980245GT	NUT, LOCK, NYL 10-24NC 18-8 SS (to SN AL508-327)	
15B	990170GT	NUT LOCK NYLON INSERT 3/8 (from SN AL508-328)	
16A	C51200307GT	HINGE DOOR STAINLESS.....1 (to SN AL508-327)	
16B	794890GT	HINGE,STAINLESS STEEL,BLACK.....2 (from SN AL508-328)	
17	680030GT	CONNECTOR 2 SCREW 3/4.....1	
18	680250GT	LOCKNUT, CONDUIT 3/4CSA APPVD...1	
19		Ref. PLATE, COIL CORD MOUNT (refer to 208.1)	
20	995810GT	SCREW 1/4-20NCX5/8 HW	

301.1 Kubota D1105-E3BG, View 1

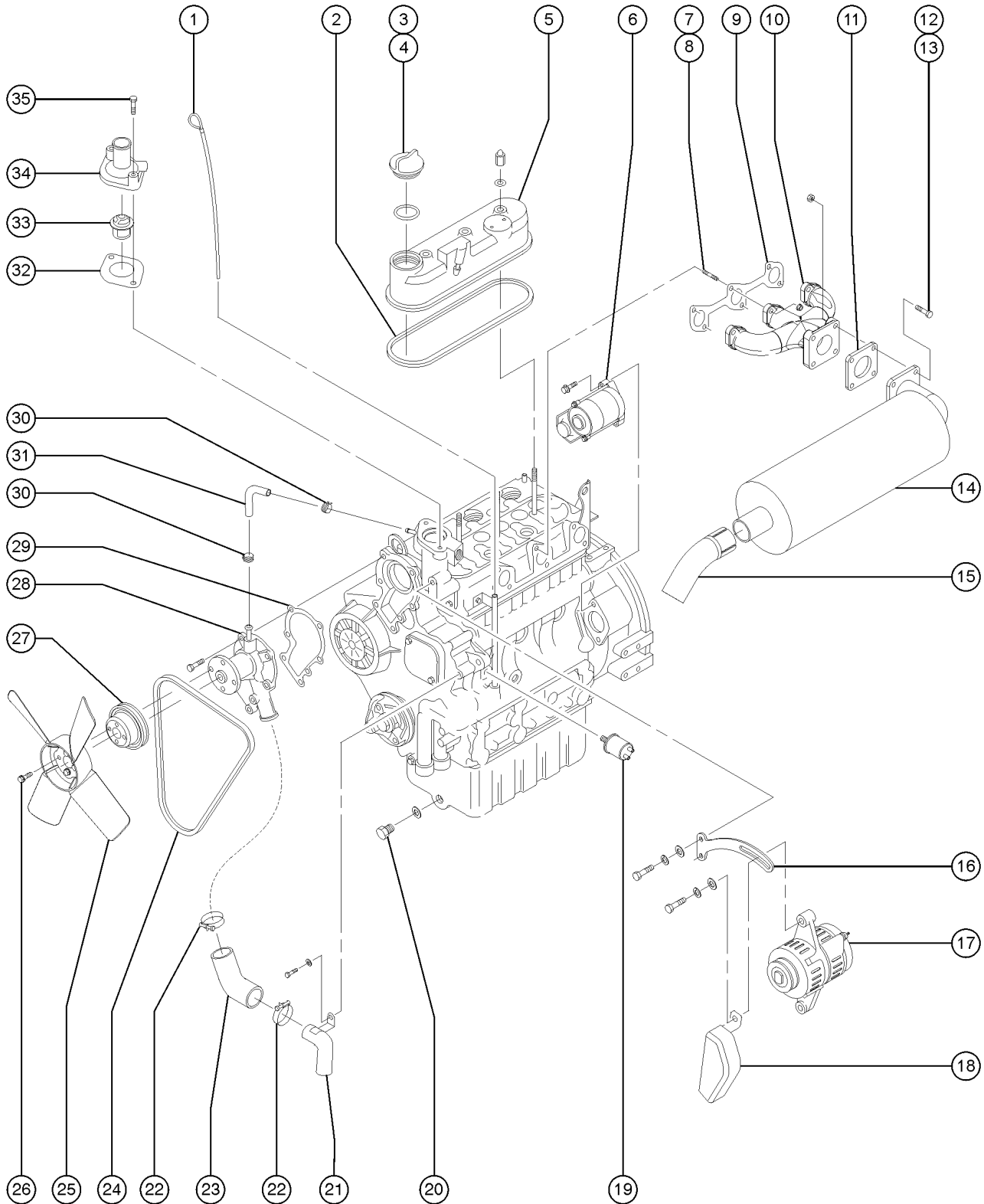




## 301.1 Kubota D1105-E3BG, View 1

Item	Part No.	Description	Qty.
1	866113GT	GUARD,FAN,KUBOTA.....	1
2	866110GT	RADIATOR, KUBOTA, D905 & D1105.....	1
3A	110523GT	CAP,RADIATOR,AL,KUBOTA DF-752..... <i>aluminum radiator</i>	1
3B	866120GT	CAP,RADIATOR,KUBOTA D905..... <i>copper radiator</i>	1
4	865307GT	TANK,RECOVERY,COOLANT,KUBOTA..1 <i>(includes mounting bracket)</i>	1
5	6357GT	NUT,HEX,1/4-20.....	2
6	C51601442GT	SCREW FLANGE 1/4 -20X.....	2
7	890790GT	HOSE,FUEL,1/4"ID,PUSH LOK,200#..... <i>this part is sold by the foot, this application requires at least 32 inches.</i>	3
8	865263GT	KUBOTA 15111-72200 WASHER.....	1
9	865260GT	KUBOTA 15263-12370CUSHION.....	4
10	995380GT	SCREW,HHC,1/2-13 X 6.5.....	2
11	991650GT	WASHER LOCK 1/2ZP.....	2
12	990415GT	WASHER,FLAT,SNUB 1/2X2-3/4 ZN.....	2
13	80379GT	ISOLATOR, ENGINE MOUNT.....	4
14	865261GT	KUBOTA CUSHION.....	2
15	865086GT	KUBOTA RAD ISOLATOR BOLT.....	2
16	865085GT	KUBOTA SNAP PIN.....	2
17	22124025GT	ENGINE RISER,2/75"H,FOR 1/2BLT.....	2
18	990200GT	NUT,NYLOCK,1/2-13 GR2.....	2
19	990210GT	WASHER FLAT 1/2ZP	
20	995110GT	SCREW,HHC,M10X1.25 X 35MM GR 8.....	12
21	994830GT	WASHER,LOCK,M10 ZP.....	12
22	22124016GT	ENGINE FOOT/RAD SUPPORT,CURBSD.....	1
23	839110GT	HOSE,RADIATOR,LOWER,KUBOTA.....	1
24	866394GT	KUBOTA WATER PIPE.....	1
25	32185GT	CLAMP,HOSE.....	6
26	116523GT	KUBOTA HOSE,D905, D1105.....	1
27	732205PPGT	ENGINE,KUBOTA,D1105 PAK.....	1
--	1254824GT	FILTER,FUEL,KUBOTA,W/O BRKT.....	1
28	22124015GT	ENG FOOT/RAD SUPPORT, ROADSIDE.....	1
29	116733GT	MUFFLER BRACE.....	1
30	839109GT	RADIATOR HOSE,KUBOTA.....	1

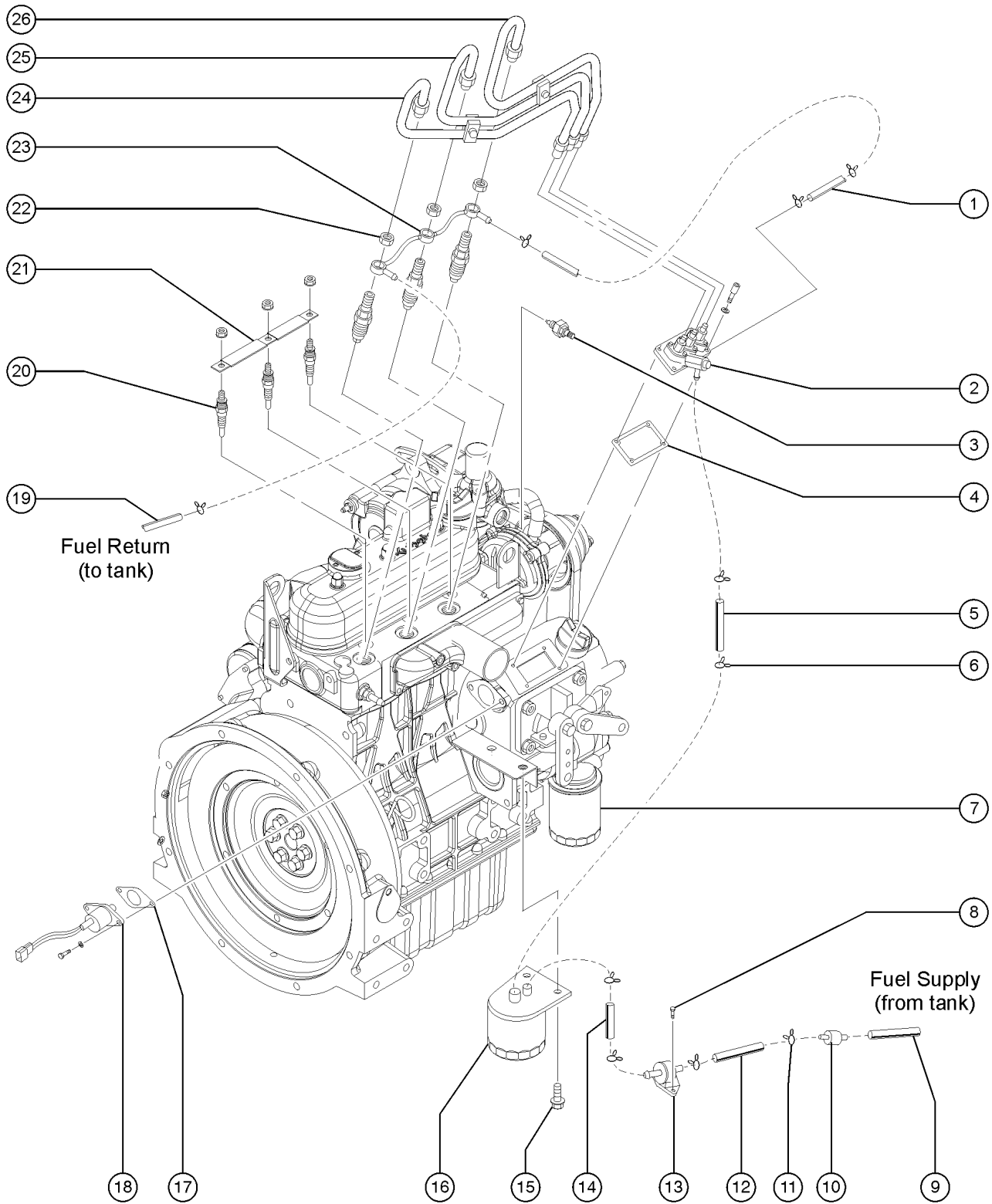
302.1 Kubota D1105-E3BG, View 2



302.1 Kubota D1105-E3BG, View 2

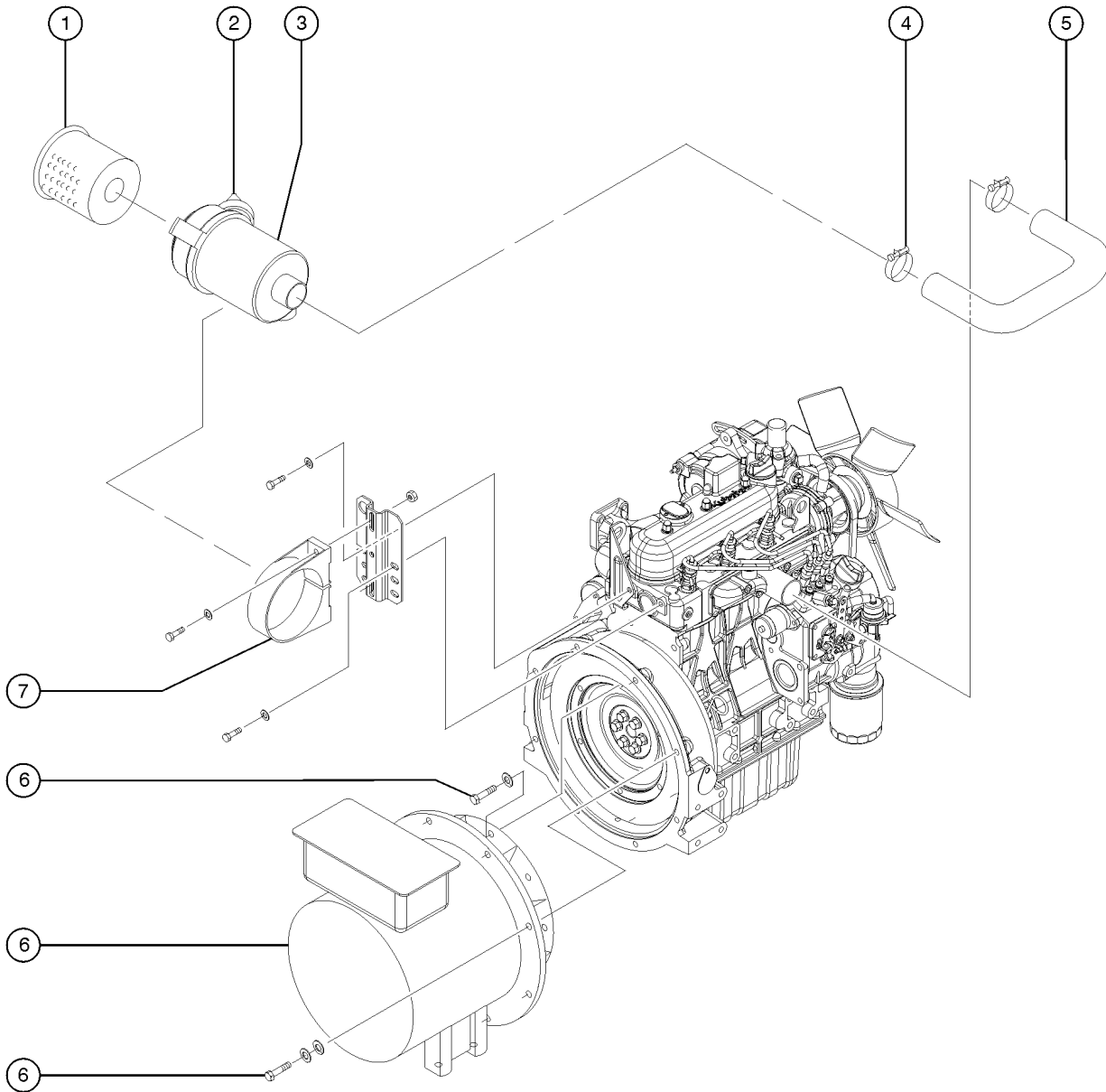
Item	Part No.	Description	Qty.	Item	Part No.	Description	Qty.
1	839154GT	DIPSTICK,OIL,KUBOTA.....	1	25	839134GT	FAN,PUSHER,KUBOTA 15263-12370.....	1
2	839244GT	KUBOTA HEAD COVER GASKET.....	1	26	839027GT	KUBOTA FLANGE BOLT.....	4
3	839151GT	KUBOTA OIL FILLER PLUG,V1305.....	1	27	52531GT	PULLEY,FAN,KUBOTA, D-905,GS68.....	1
4	839034GT	KUBOTA O-RING.....	1	28	839261GT	PUMP,WATER,KUBOTA.....	1
5	44191GT	VALVE COVER, D905.....	1	29	865079GT	KUBOTA 16259-73430.....	1
6	866101GT	STARTER,KUBOTA,D1105/905.....	1	30	32069GT	CLAMP,HOSE,KUBOTA WG750.....	2
7	101208GT	STUD,EXHAUST MANIFOLD.....	6	31	839011GT	KUBOTA WATER PIPE 16241-73350.....	1
8	101209GT	NUT,EXHAUST MANIFOLD.....	6	32	865435GT	KUBOTA 16221-73270GASKET.....	1
9	32191GT	GASKET,EXHAUST MANIFOLD,D905....	1	33	139278GT	THERMOSTAT.....	1
10	839246GT	KUBOTA EXHAUST MANIFOLD.....	1	34	139279GT	THERMOSTAT COVER.....	1
11	832128GT	GASKET,MUFFLER,KUBOTA D905/11.....	1	35	62296GT	SCREW,M8 X 35MM	
12	839103GT	KUBOTA 01123-50820 BOLT.....	4				
13	865055GT	KUBOTA NUT.....	4				
14A	865276GT	MUFFLER,KUBOTA.....	1				
14B	866825GT	KUBOTA 66711-54520COV (muffler cover)					
14C	975907GT	KIT:MUFFLER (KUB) SPACER					
--	190150GT	SPACER,MUFFLER,KUBOTA 6013..... (includes spacer, gasket, washers and screws listed below)	2				
--	823384GT	GASKET, MUFFLER, KUBOTA (FIBER.....)	3				
--	832128GT	GASKET,MUFFLER,KUBOTA D905/11.....	1				
--	866803GT	KUBOTA BAND, MUFFLER					
--	990460GT	WASHER LOCK 5/16 ZP BIN.....	4				
--	996330GT	SCREW,HHC,M8-1.25 X 45MM ZP.....	4				
15	125395GT	TAILPIPE,8K EXHAUST.....	1				
16	116833GT	KUBOTA DYNAMO STAY.....	1				
17	866090GT	ALTERNATOR,KUBOTA*.....	1				
18	866081GT	KUBOTA BELT COVER.....	1				
19	839190GT	SWITCH,LOW OIL PRESS,KUBOTA.....	1				
20A	52532GT	PLUG,ENGINE OIL DRAIN,D-905***..... bottom of oil pan (not shown)	1				
20A	52533GT	GASKET (52532) OIL DRAIN, D905..... for 52532GT	1				
20B	234842GT	PLUG, ENGINE OIL, D1105..... bottom of oil pan (not shown)	1				
20B	84042GT	GASKET-DRAIN PLUG,ENG OIL PAN.... for 234842GT	1				
20C	897110GT	HOSE,OIL,3/8 0250PS1.....	1				
21	116523GT	KUBOTA HOSE,D905, D1105.....	1				
22	32185GT	CLAMP,HOSE.....	2				
23	866394GT	KUBOTA WATER PIPE.....	1				
24	839209GT	V-BELT,KUBOTA.....	1				

303.1 Kubota D1105-E3BG, View 3



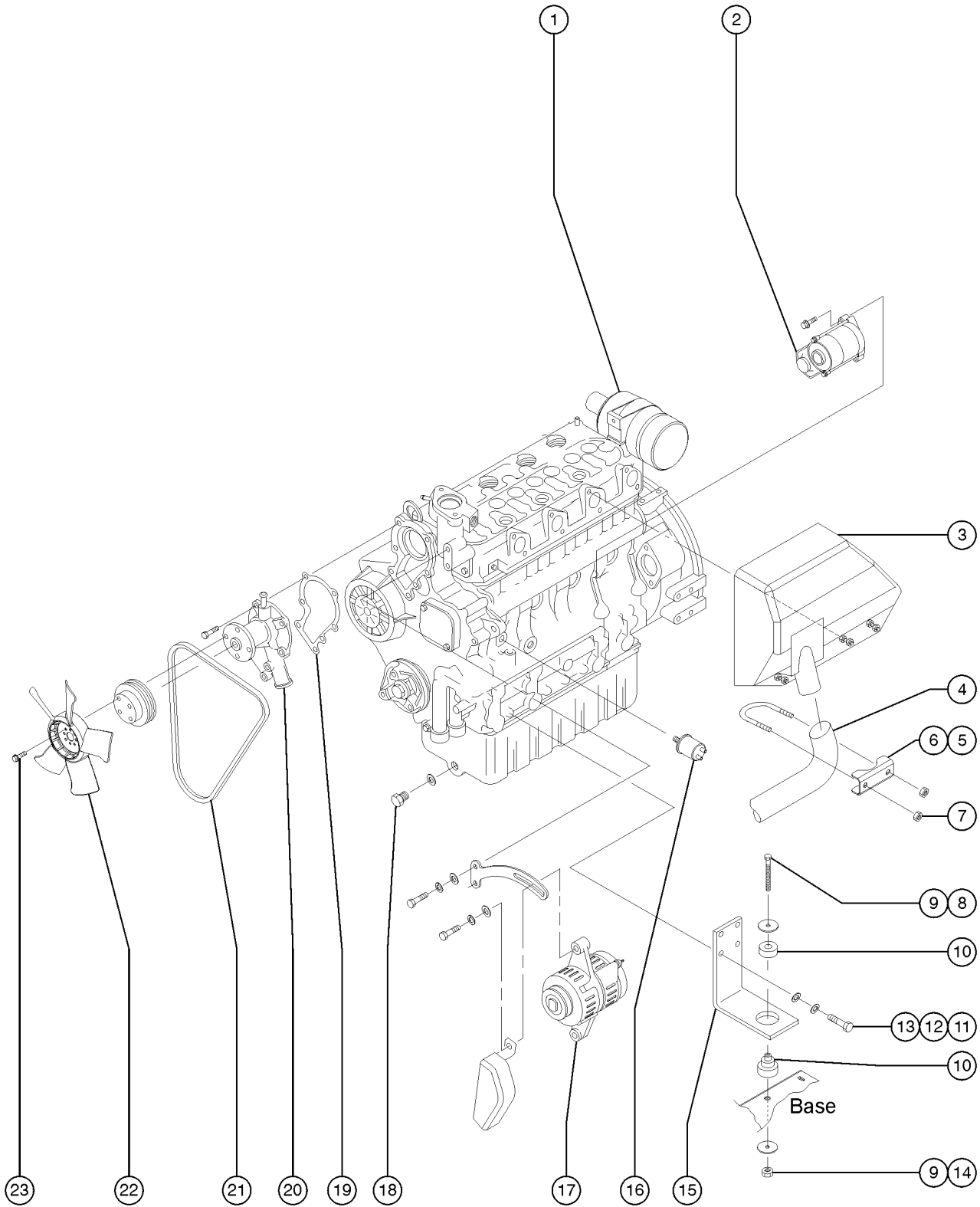
Item	Part No.	Description	Qty.
1	839157GT	KUBOTA OVERFLOW PIPE.....1 (to tank)	1
2	839149GT	KUBOTA INJECTOR PUMP, V1105.....1	1
3	741140GT	ENGINE ACCESSORY TEMP SENDER.....1	1
4	32103GT	GASKET,INJECTION PUMP (quantities vary)	
5	890795GT	HOSE,FUEL,5/16"ID.....1.25 feet	1.25
6	898590GT	HOSE FITTING PIPE/BAR.....3	3
7	866050GT	FILTER,OIL,KUBOTA.....1	1
8		Ref., SCREW refer to 202.1 or 203.1	
9		Ref., FUEL HOSE refer to 202.1 or 203.1	
10		Ref., IN-LINE FILTER refer to 202.1 or 203.1	
11		Ref., HOSE CLAMP refer to 202.1 or 203.1	
12		Ref., FUEL HOSE refer to 202.1 or 203.1	
13		Ref., FUEL PUMP refer to 202.1 or 203.1	
14		Ref., FUEL HOSE refer to 202.1 or 203.1	
15	839103GT	KUBOTA 01123-50820 BOLT.....2	2
16	839107GT	FILTER,FUEL,KUBOTA.....1	1
17	866040GT	GASKET,SOLENOID,KUBOTA.....1	1
18A	99199GT	SOLENOID,KUBOTA D9/1105 SHTDWN.....1 2-wire solenoid	1
18B	866030GT	SOLENOID,FUEL,3 WIRE,KUBOTA 3-wire solenoid	
19		Ref., FUEL HOSE refer to 202.1 or 203.1	
20	839119GT	KUBOTA GLOW PLUG.....3	3
21	62118GT	JUMPER-GLOW PLUG.....1	1
22	865257GT	KUBOTA KIT, HOLDER,NOZZLE.....3	3
23	865100GT	KUBOTA OVER FLOW PIPE.....1	1
24	44196GT	PIPE,INJECTOR 1,D905,D1105.....1	1
25	44197GT	PIPE,INJECTOR 2,D905,D1105.....1	1
26	44198GT	PIPE,INJECTOR 3,D905,D1105.....1	1

304.1 Kubota D1105-E3BG, View 4



Item	Part No.	Description	Qty.
1	866127GT	ELEMENT,AIR CLEANER,KUBOTA.....1	
2	866129GT	VALVE,AIR CLEANER,KUBOTA.....1	
3A	866126GT	BODY,AIR CLEANER,KUBOTA.....1	
3B	866128GT	COVER,AIR CLEANER,KUBOTA.....1	
4	839049GT	KUBOTA 15263-12370BAND PIPE.....2	
5	231332GT	HOSE, INTAKE, KUBOTA D1105.....1	
6		Ref, GENERATOR (refer to 310.1, 311.1, 312.1 or 313.1)	
7	231333GT	AIR CLEANER BRACKET, D1105.....1	

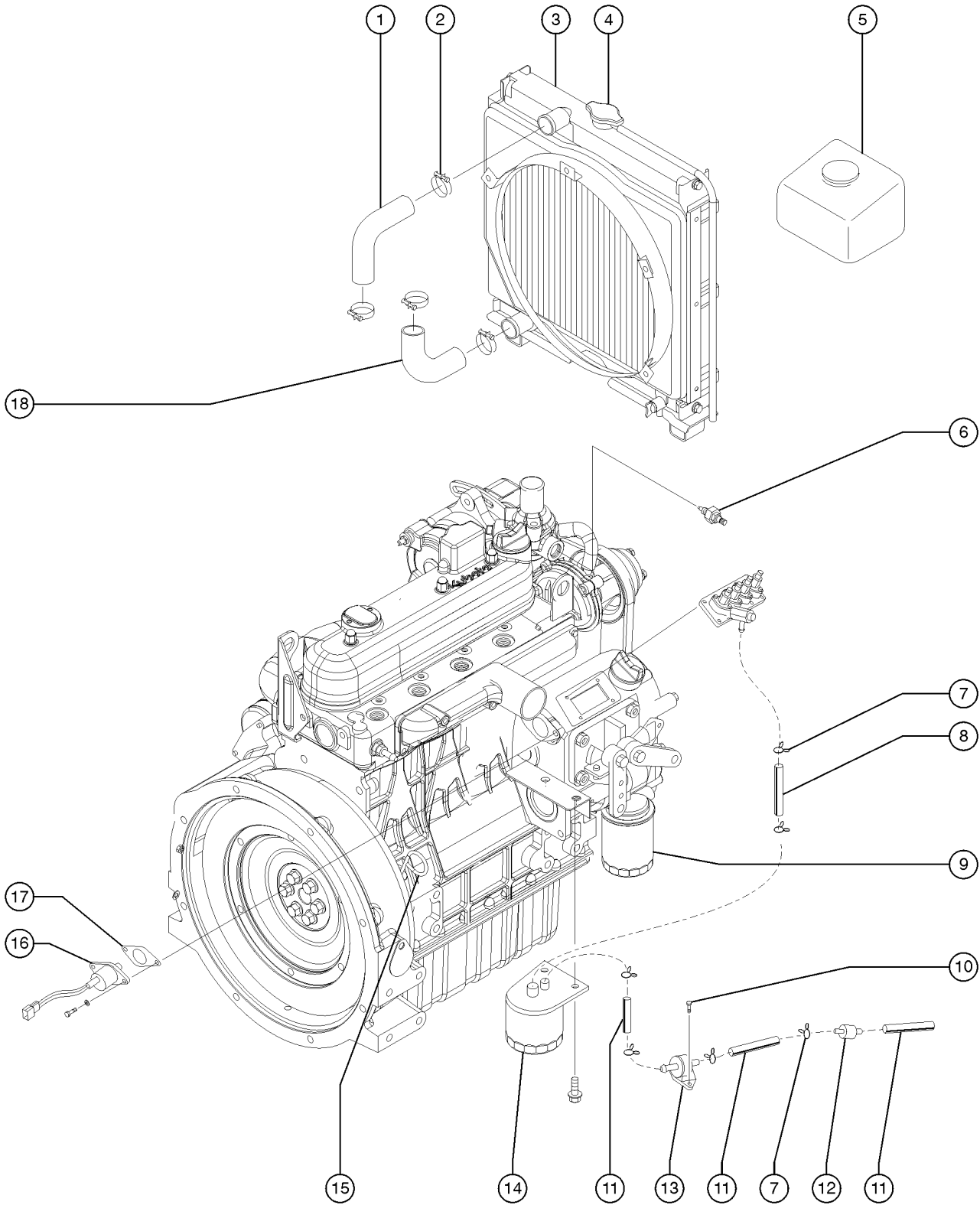
305.1 Kubota V1505 T41, View 1





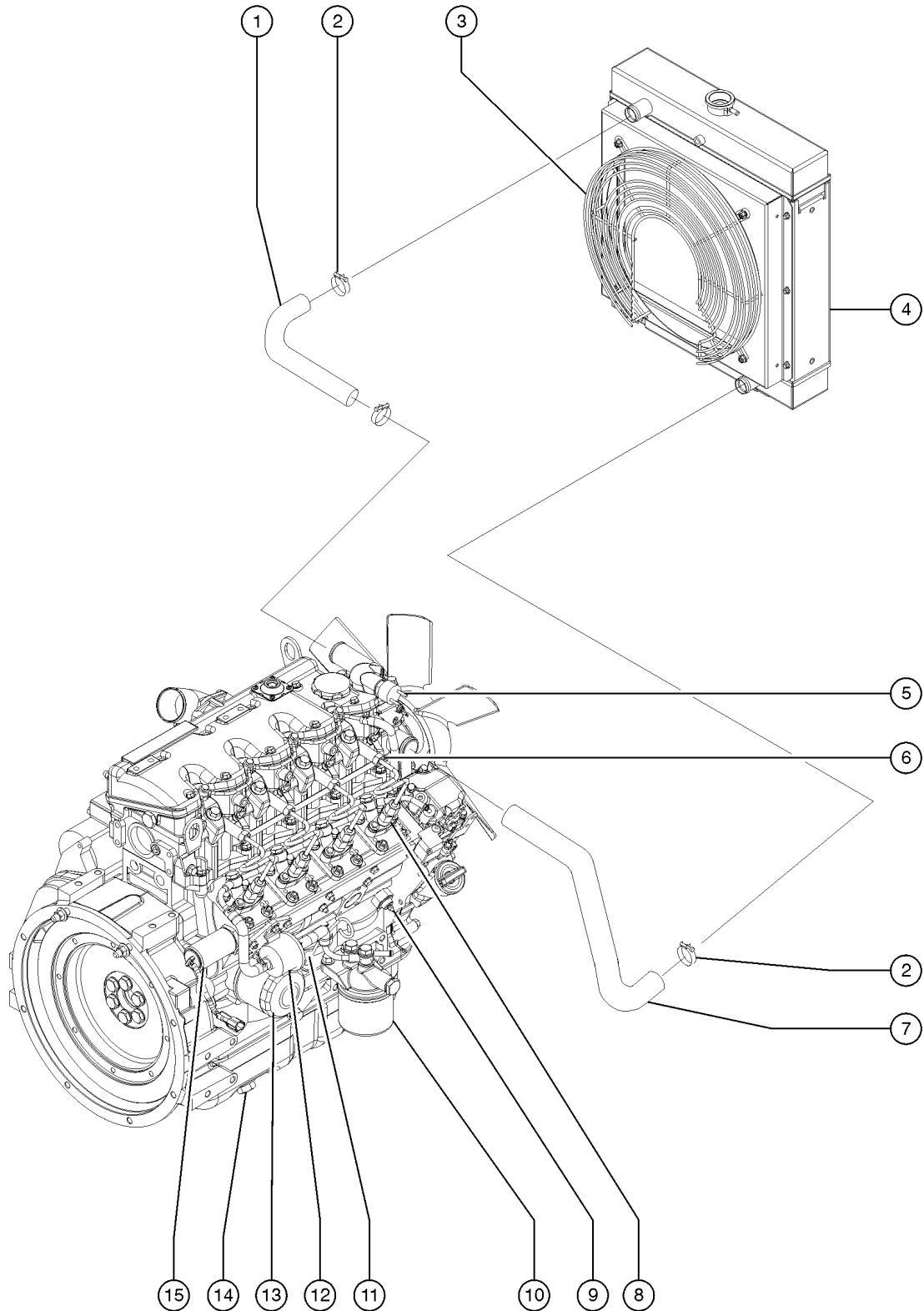
Item	Part No.	Description	Qty.
--	116289PPGT	KUBOTA ENGINE 1505 T4I PACK (complete)	
--	116292GT	PMA-GENSET-KUBOTA 1505 12KW (engine with generator)	
--	893020GT	MANUAL,OP,KUBOTA,D1105,TIER 2*	
1	116413GT	AIR CLEANER,DONALDSON G042544.....	1
--	116414GT	AIR CLNR MNT DONALDSON P777151	
--	116498GT	AIR CLEANER COVER	
--	116502GT	AIR CLEANER VALVE	
2	866101GT	STARTER,KUBOTA,D1105/905.....	1
3	116309GT	MUFFLER,KUBOTA BOX TYPE.....	1
--	832128GT	GASKET,MUFFLER,KUBOTA D905/11	
4	116297GT	ASY,ENGIN TAILPIPE.....	1
--	116296GT	BRKT,TAILPIPE SUPPORT	
--	116298GT	MNT,CYL,M/M 1/4-20X.75 1.0 OD	
--	116418GT	KIT: V1505 TAILPIPE MOUNT	
5	791600GT	CLAMP,U-BOLT,1.5".....	1
6	791610GT	CLAMP,U-BOLT,2-1/8"	
7	6357GT	NUT,HEX,1/4-20.....	4
8	990190GT	SCREW,HHC,1/2-13 X 3.....	2
9	990410GT	WASHER FLAT FENDER1/2.....	4
10	80379GT	ISOLATOR, ENGINE MOUNT.....	4
11	995110GT	SCREW,HHC,M10X1.25 X 35MM GR 8.....	8
12	990080GT	WASHER FLAT 3/8USS ZPBIN.....	8
13	6-9111-10GT	LOCKWASHER,10MM.....	8
14	990200GT	NUT,NYLOCK,1/2-13 GR2.....	2
15	116213GT	FOOT,ENGINE MOUNT L BRACKET.....	2
16	839190GT	SWITCH,LOW OIL PRESS,KUBOTA.....	1
17	866090GT	ALTERNATOR,KUBOTA*.....	1
18	741970GT	VALVE,OIL DRAIN,KUBOTA.....	1
--	897110GT	HOSE,OIL,3/8 0250PS1	
19	865079GT	KUBOTA 16259-73430..... (gasket)	1
20	839261GT	PUMP,WATER,KUBOTA.....	1
21	839209GT	V-BELT,KUBOTA.....	1
22	116511GT	KUBOTA PUSHER FAN,D1105.....	1
--	116512GT	KUBOTA FAN GUARD,D1105	
23	839027GT	KUBOTA FLANGE BOLT.....	4

306.1 Kubota V1505 T41, View 2



Item	Part No.	Description	Qty.
1	116513GT	KUBOTA TOP HOSE,D1105.....	1
2	32185GT	CLAMP,HOSE.....	4
3	116314GT	RADIATOR,KUBOTA A-47.....	1
4	110523GT	CAP,RADIATOR,AL,KUBOTA DF-752.....	1
5	973390GT	KIT:KUBOTA OVER-FLOW (includes nut, washer, hose, and screw)	
--	865307GT	TANK,RECOVERY,COOLANT,KUBOTA	
6	741140GT	ENGINE ACCESSORY TEMP SENDER.....	1
7	792750GT	CLAMP 7/16 TO 25/32	
8	890795GT	HOSE,FUEL,5/16"ID.....	5-feet
9	116509GT	KUBOTA OIL FILTER,D1105.....	1
10	995810GT	SCREW 1/4-20NCX5/8 HW.....	2
11		Ref. Fuel Line (refer to 202.1 or 203.1)	
12		Ref. In-line fuel filter (refer to 202.1 or 203.1)	
13		Ref. Fuel Pump (refer to 202.1 or 203.1)	
14	839107GT	FILTER,FUEL,KUBOTA.....	1
--	839200GT	ELEMENT,FUEL FILTER,KUBOTA	
15	839154GT	DIPSTICK,OIL,KUBOTA.....	1
16	99199GT	SOLENOID,KUBOTA D9/1105 SHTDWN.....	1
17	866040GT	GASKET,SOLENOID,KUBOTA.....	1
18	116514GT	KUBOTA BOTTOM HOSE,D1105.....	1

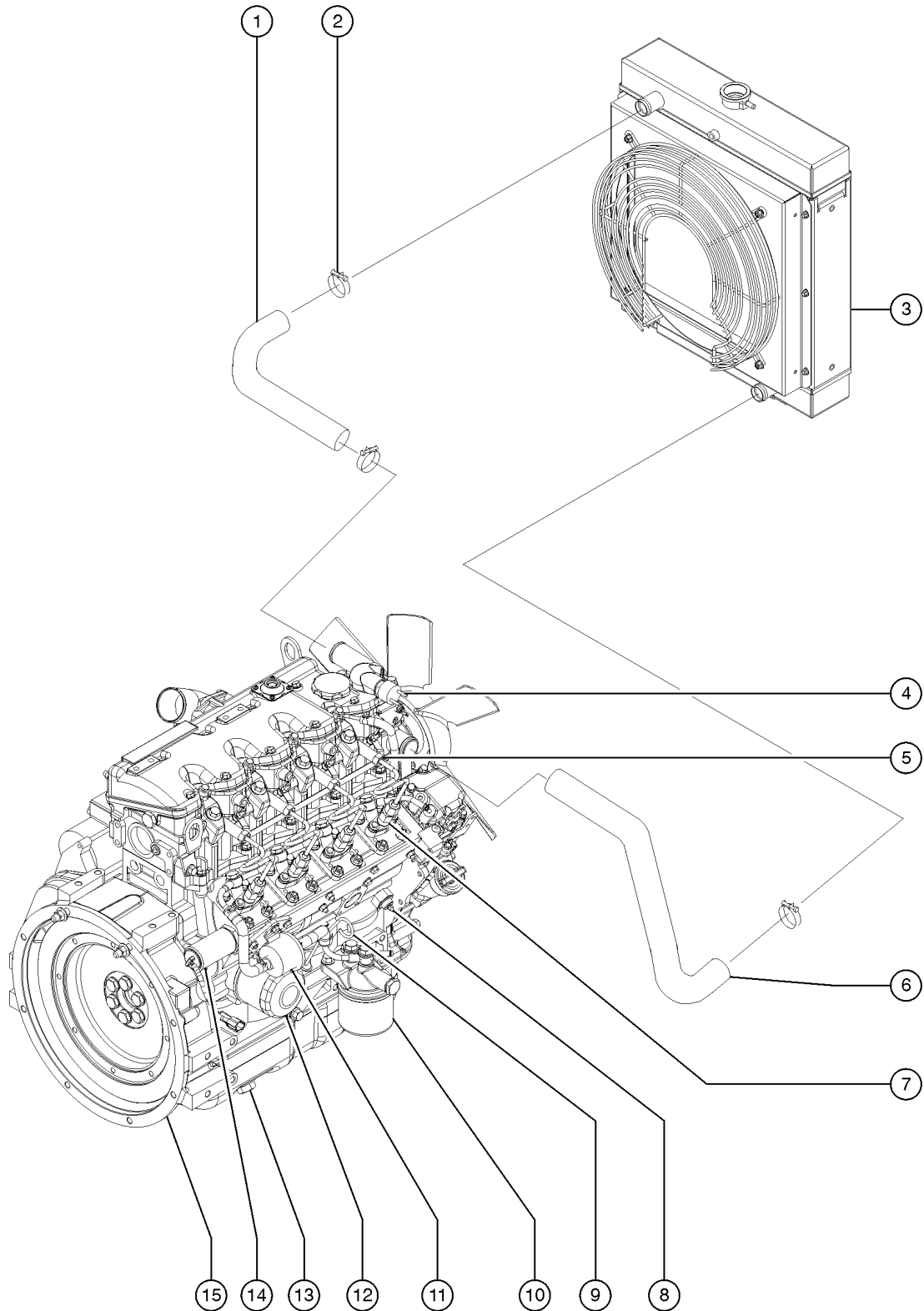
307.1 Isuzu 4LE2-522, View 1 (to SN AL511-229)



## 307.1 Isuzu 4LE2-522, View 1 (to SN AL511-229)

Item	Part No.	Description	Qty.
--		<i>(engine 4LE2-522 is no longer available, please refer to 307.2 for engine replacement)</i>	
1	868113GT	ISUZU 4LE UPPER RADIATOR HOSE...1	
2	32185GT	CLAMP,HOSE.....4	
3	116132GT	ISUZU FAN GUARD.....1	
4	C33304202GT	RADIATOR KIT ISUZU4LE.....1	
--	116129GT	ISUZU UPPR RADIATOR ISOLATOR	
--	116130GT	ISUZU LOWR RADIATOR ISOLATOR	
--	116131GT	ISUZU RADIATOR DRAIN KIT	
5A	868082GT	ISUZU 4LE TEMP SWITCH, 230* 2P.....1 <i>(with auto air shut-down)</i>	
5B	868011GT	TEMP SENDER,ISUZU 4LE1PV02.....1 <i>(without auto air shut-down)</i>	
6	868150GT	ISUZU 3LB 8971065492GLOW PLUG...4	
7	868112GT	LOWER RADIATOR HOSE.....1	
8	868069GT	INJECTOR NOZZLE ASSEMBLY,ISUZU.....4	
9	C42300100GT	SWITCH,OIL PRESSURE.....1	
10	868036GT	ISUZU FUEL FILTER.....1	
11A	440467GT	OIL PRESS SWITCH NO.2 TERM.....1 <i>(with auto air shut-down)</i>	
11B	742280GT	SENDER,ENGINE OIL.....1 <i>(without auto air shut-down)</i>	
12	868070GT	FUEL PUMP ASSY,ISUZU 4LC/E.....1	
13	868075GT	FILTER,OIL,ISUZU 4LB/C/E.....1	
14	741976GT	OIL DRAIN VALVE ISUZUM20 X 1.5.....1	
--	792750GT	CLAMP 7/16 TO 25/32	
--	897110GT	HOSE,OIL,3/8 0250PS1	
15	868086GT	SOLENOID,ENGINE STOP,ISUZU 4LE.....1	

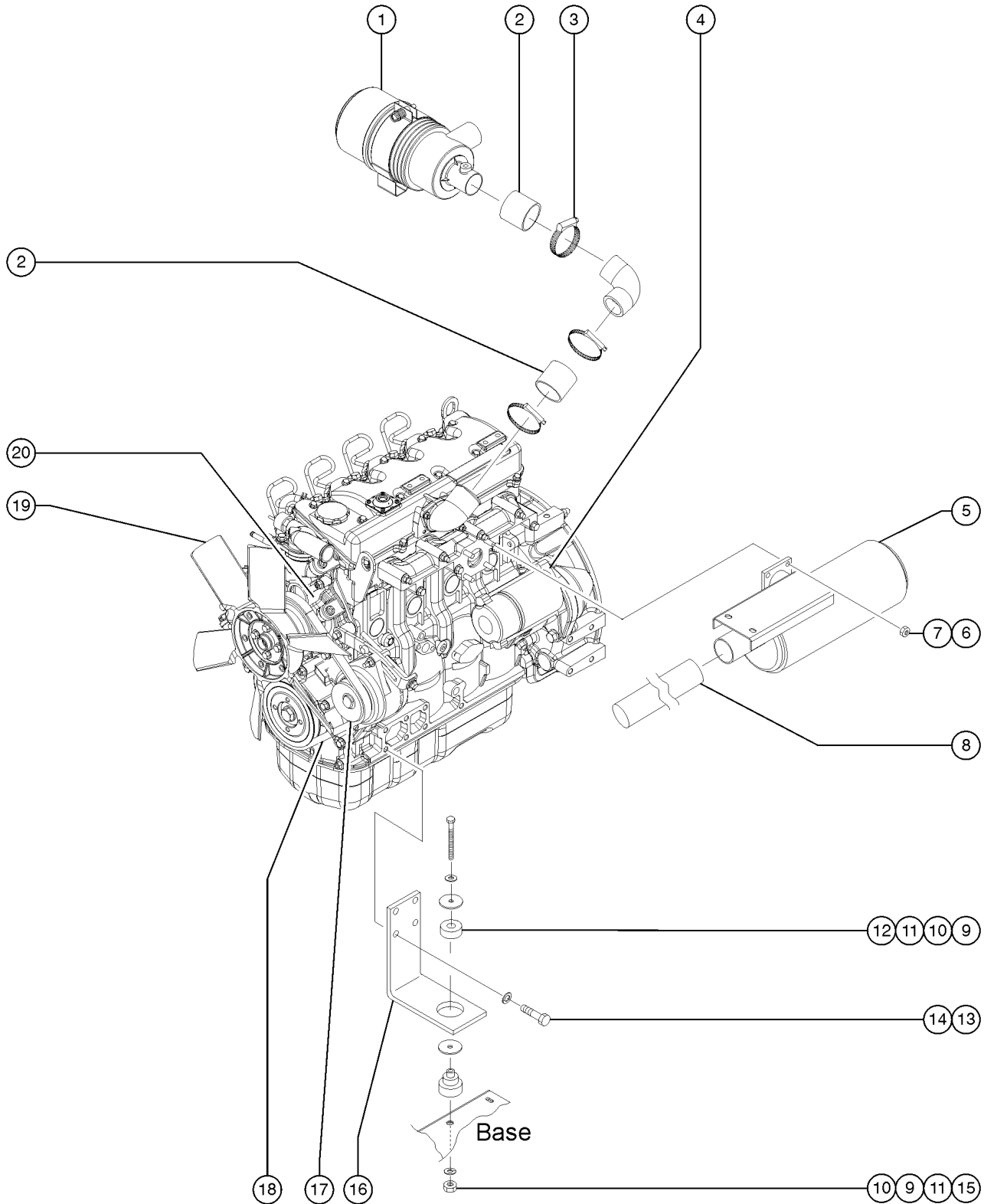
307.2 Isuzu 4LE2,1800R, View 1 (from SN AL511-230)



## 307.2 Isuzu 4LE2,1800R, View 1 (from SN AL511-230)

Item	Part No.	Description	Qty.
--	T111619GT	ENGINE,ISUZU,PUSHER,4LE2,1800R <i>(engine plus generator) (refer to 313.1 for generator)</i>	
--	T111622GT	GENSET,20K,60HZ,PUSHER	
--	T110453GT	ENGINE,ISUZU,SUCKER,4LE2,1800R	
--	T111617GT	GENSET,20K,60HZ,SUCKER <i>(engine plus generator) (refer to 313.1 for generator)</i>	
--	116133GT	ISUZU OPERATORS MANUAL	
--	116821GT	WIRE HARN,ENG,ISUZU,4LE1,AL5	
--	T113775GT	MANUAL, INSTRUCTION, ISUZU 4LE	
1	868113GT	ISUZU 4LE UPPER RADIATOR HOSE...1	
2	32185GT	CLAMP,HOSE	
3		Ref. RADIATOR <i>(refer to 309.1)</i>	
4	T113772GT	OIL SWITCH, ISUZU 4LE2.....1	
5	T113777GT	GLOW PLUG, ISUZU 4LE2.....1	
6	868112GT	LOWER READIATOR HOSE.....1	
7	T113780GT	ASSY, INJECTION PUMP,ISUZU 4LE.....1	
8	T113772GT	OIL SWITCH, ISUZU 4LE2.....1	
9	T113766GT	DIP STICK, ISUZU 4LE2.....1	
10	116154GT	AY,DSL FUEL/WATER SEPARATOR.....1	
--	116151GT	FILTER,30 MICRON FUEL-WATER	
11	T113770GT	FUEL PUMP, ISUZU 4LE2.....1	
12	T113767GT	CARTRIDGE, OIL FLTR, ISUZU 4LE.....1	
13	974803GT	KIT:HOSE/CLAMP ISUZU.....1	
14	T113771GT	STOP SOLENOID, ISUZU 4LE2.....1	
15	T113756GT	FLYWHEEL, ISUZU 4LE2.....1	
--	T113757GT	HOUSING, FLYWHEEL ISUZU 4LE2	

308.1 Isuzu 4LE2-522, View 2 (to SN AL511-229)

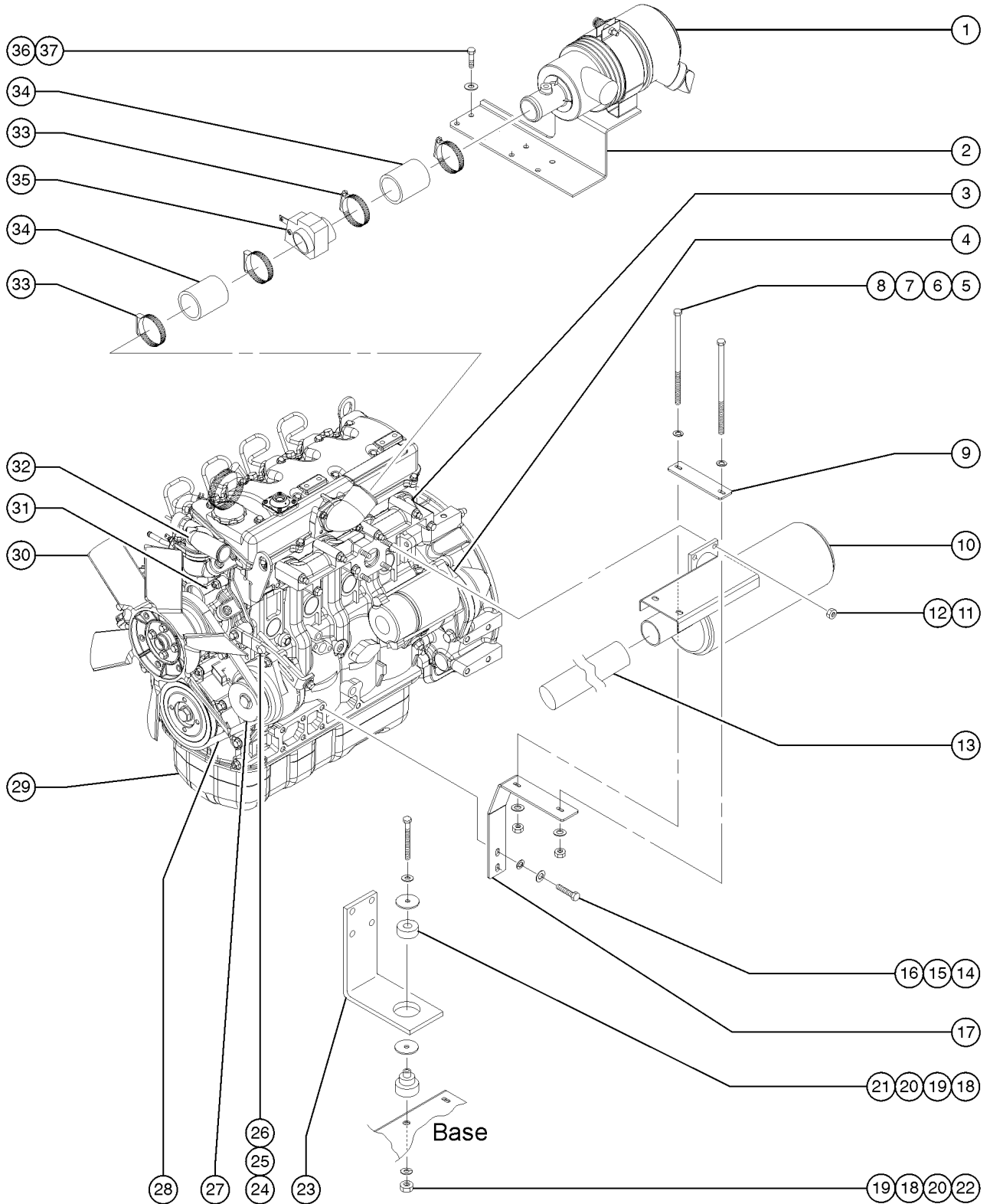




## 308.1 Isuzu 4LE2-522, View 2 (to SN AL511-229)

Item	Part No.	Description	Qty.
1	834458GT	AIR FILTER ASSY,DONALDSON.....	1
--	834460GT	ELEMENT,AIR FILTER,DONALDSON	
2	T113987GT	HOSE, STRAIGHT, AIR INTAKE, IS.....	2
3	T113989GT	CLAMP, HOSE, #36	
4	868076GT	STARTER, ISUZU 4LE1.....	1
5	187988GT	MUFFLER ASSY.....	1
--	215712GT	BRACKET,SUPPORT,MUFFLER	
--	415912GT	AS-MUFFLER SPACER 2.75	
--	791610GT	CLAMP,U-BOLT,2-1/8"	
--	832128GT	GASKET,MUFFLER,KUBOTA D905/11	
6	T113783GT	NUT,EXHAUST MANIFLD,ISUZU 4LE2.....	4
7	T113784GT	BOLT,EXHAUST MANIFLD,ISUZU 4LE.....	4
8	T111624GT	KIT, TAILPIPE, 20K, PUSHER.....	1
--	T110446GT	TAILPIPE, ISUZU EXHAUST	
9	740920GT	ISOLATOR,ENGINE,390LB.....	2
10	990410GT	WASHER FLAT FENDER1/2.....	2
11	990210GT	WASHER FLAT 1/2ZP.....	2
12	990270GT	SCREW,HHC,1/2-13 X 3.5 GR8.....	2
13	T113974GT	HHC,M10-1.5 X 30, YELLOW ZINC.....	4
14	22700GT	WASHER,LOCK,M10.....	4
15	990200GT	NUT,NYLOCK,1/2-13 GR2.....	2
16	189293GT	ENGINE MOUNT L-BRKTIS.....	2
17	868077GT	ALTERNATOR, 65A,ISUZU 4LE1.....	1
18	868067GT	ISUZU 4LE 8972249990FAN BELT.....	1
19A	116125GT	FAN,ENGINE,ISUZU, PUSHER..... <i>color: black</i>	1
19B	868156GT	FAN,ENGINE,ISUZU,PULLER..... <i>color: white</i>	1
20	868143GT	WATER PUMP-4LE,ISUZU.....	1

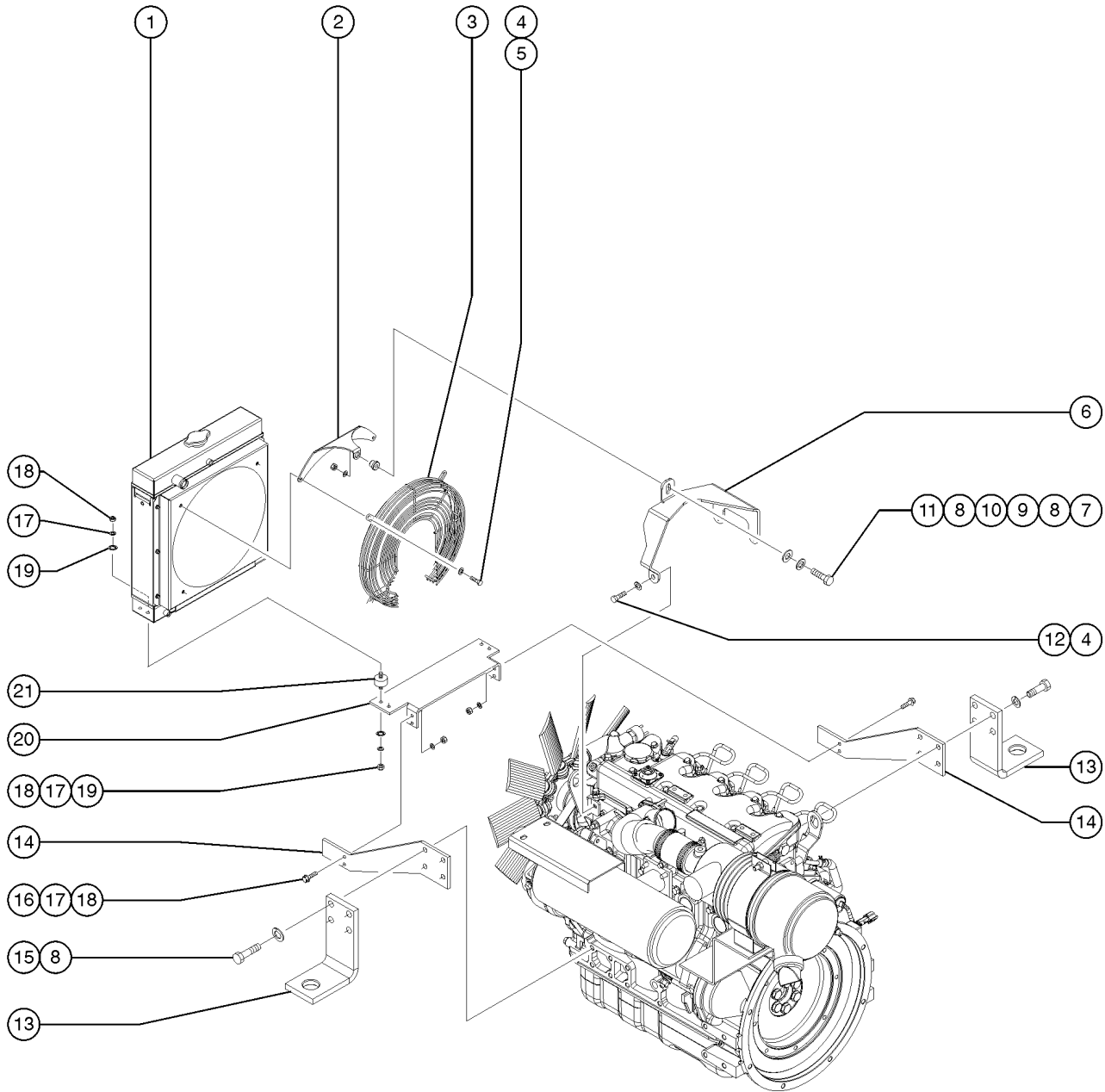
308.2 Isuzu 4LE2,1800R, View 2 (from SN AL511-230)



## 308.2 Isuzu 4LE2,1800R, View 2 (from SN AL511-230)

Item	Part No.	Description	Qty.	Item	Part No.	Description	Qty.
1	T113769GT	AIR CLEANER, ISUZU 4LE2.....1 <i>(includes items 2 and 33-36)</i>	1	28	T113776GT	BELT, FAN, ISUZU 4LE2.....1	1
--	834458GT	AIR FILTER ASSY,DONALDSON		--	T113786GT	COVER, V-BELT, ISUZU 4LE2	
--	T113985GT	BAND, AIR FILTER MOUNTING, ISU		29	T113765GT	OIL PAN, ISUZU 4LE2.....1	1
2	T113984GT	FORMING, BRKT, AIR INTAKE, ISU.....1	1	30A	T111701GT	FAN, ISUZU 4LE,1800RPM,SUCKER.....1	1
3	T113755GT	MANIFOLD, EXHAUST, ISUZU 4LE2		30B	T111625GT	FAN, ISUZU 4LE, 1800RPM, PUSH	
--	T113781GT	GASKET EXHST MANIFLD,ISUZU 4LE		30C	T113758GT	PULLEY, FAN, ISUZU 4LE2.....1	1
--	T113782GT	STUD,EXHAUST MANIFLD,ISUZU 4LE		30D	T113759GT	PULLEY, FAND DRIVE, ISUZU 4LE2.....1	1
4	T113763GT	STARTER, ISUZU 4LE2.....1	1	31	T113779GT	ASSY, WATER PUMP, ISUZU 4LE2.....1	1
5	215719GT	SCREW,HHC,1/4-20X6 1/2,ZINC.....2 <i>(from SN AL511-709)</i>	2	32	T113762GT	HOUSING, THERMOSTAT, ISUZU 4LE	
6	990340GT	WASHER FLAT 1/4ZPLENSETBIN.....2 <i>(from SN AL511-709)</i>	2	--	T113760GT	THERMOSTAT, ISUZU 4LE2	
7	990400GT	WASHER LOCK 1/4ZP.....2 <i>(from SN AL511-709)</i>	2	--	T113761GT	GASKET, THRMOST HSG, ISUZU 4LE	
8	992120GT	NUT HEX 1/4-20NCGRADE2 ZP.....2 <i>(from SN AL511-709)</i>	2	33	T113989GT	CLAMP, HOSE, #36.....4	4
9	215711GT	PLATE, TOP,BRACKET,MUFFLER.....1 <i>(from SN AL511-709)</i>	1	34	T113987GT	HOSE, STRAIGHT, AIR INTAKE, IS.....2	2
10	187988GT	MUFFLER ASSY.....1	1	35	235385GT	RODA DEACO MAN, SHUTDOWN, 2"	
--	T113774GT	GASKET, MUFFLER, ISUZU 4LE2		36	27034GT	SCREW,HHC,M10 X 25MM,GR 8.8.....4	4
11	T113783GT	NUT,EXHAUST MANIFLD,ISUZU 4LE2.....4	4	37	22700GT	WASHER,LOCK,M10.....4	4
12	T113784GT	BOLT,EXHAUST MANIFLD,ISUZU 4LE.....4	4				
13A	T110447GT	TAILPIPE, ISUZU EXHAUST, TOP.....1	1				
13B	T110446GT	TAILPIPE, ISUZU EXHAUST.....1	1				
--	791610GT	CLAMP,U-BOLT,2-1/8"					
14	215722GT	SCREW,HHC,10MM-1.5X258.8,ZINC.....2 <i>(from SN AL511-709)</i>	2				
15	990080GT	WASHER FLAT 3/8USS ZPBIN.....2 <i>(from SN AL511-709)</i>	2				
16	994830GT	WASHER,LOCK,M10 ZP.....2 <i>(from SN AL511-709)</i>	2				
17	215712GT	BRACKET,SUPPORT,MUFFLER.....1 <i>(from SN AL511-709)</i>	1				
18	740920GT	ISOLATOR,ENGINE,390LB.....2	2				
19	990410GT	WASHER FLAT FENDER1/2.....2	2				
20	990210GT	WASHER FLAT 1/2ZP.....2	2				
21	990270GT	SCREW,HHC,1/2-13 X 3.5 GR8.....2	2				
22	990200GT	NUT,NYLOCK,1/2-13 GR2.....2	2				
23		Ref. ENGINE BRACKET <i>(refer to 309.1)</i>					
24	30973GT	BUMPER,RUBBER-1 X 1.25.....1	1				
25	116503GT	BUSHING, 630DX.328ID .375T.....1	1				
26	991945GT	NUT LOCK NYLON INSERT.....1	1				
27	T113764GT	ALTERNATOR, ISUZU 4LE2.....1	1				

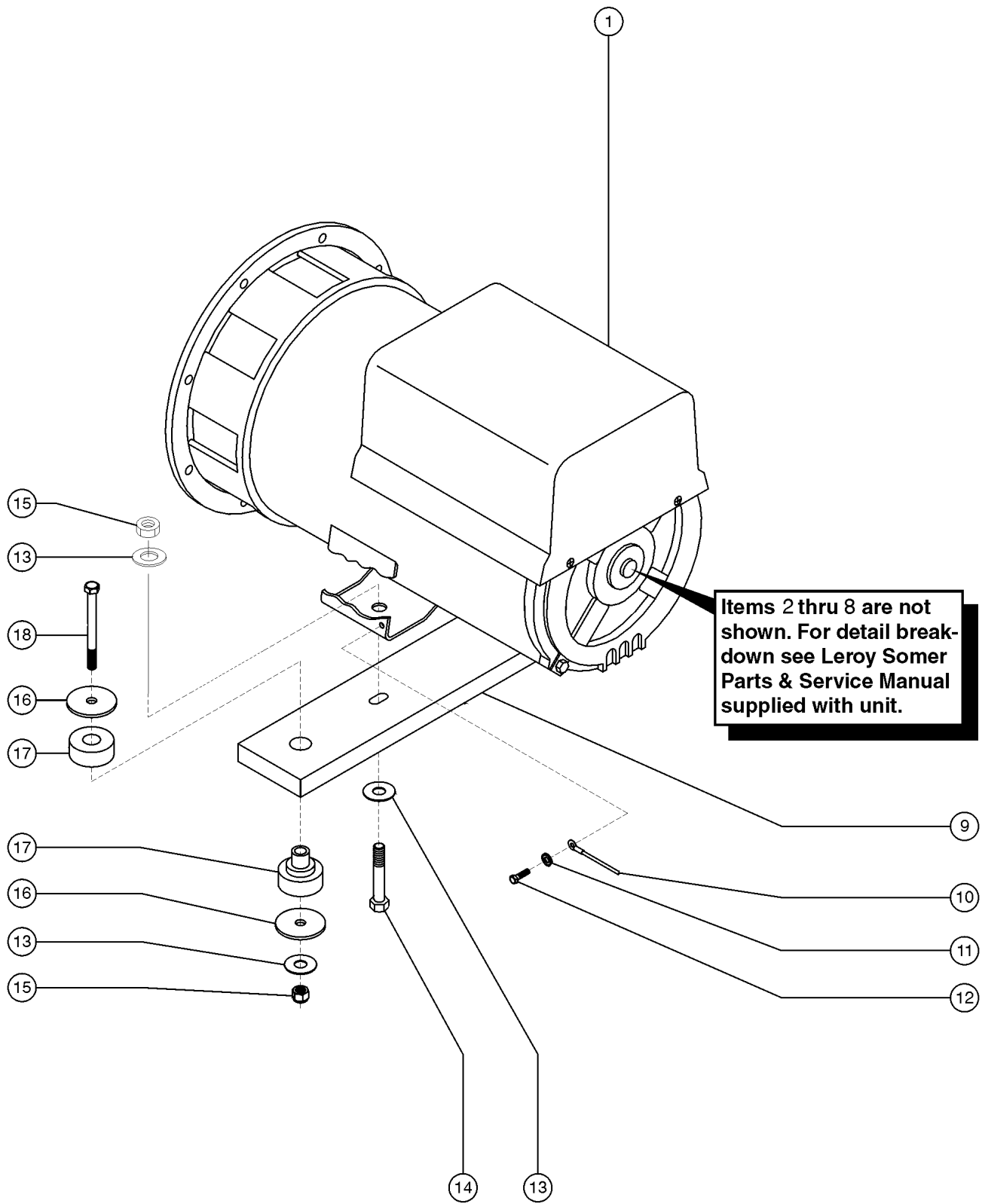
309.1 Isuzu 4LE2,1800R, Radiator Assembly, from SN AL511-230



## 309.1 Isuzu 4LE2,1800R, Radiator Assembly, from SN AL511-230

Item	Part No.	Description	Qty.
1	T110455GT	RADIATOR, ISUZU 4LE.....	1
2	T113688GT	FORMING,BRACKET,RAD MOUNT,FRNT.....	1
3	116132GT	ISUZU FAN GUARD.....	1
4	22586GT	SCREW,HHC,M8 X 20MM,F.TH.GR8.8.....	7
5	T110064GT	WASHER,M8,ZINC.....	4
6	T113669GT	FORMING, BRKT, RAD MOUNT, REAR.....	1
7	T113972GT	HHC,M10-1.5 X 45, YELLOW ZINC.....	1
8	22700GT	WASHER,LOCK,M10.....	2
9	58486GT	WASHER,FLAT,3/8,HARDENED,YZ.....	1
10	T113670GT	ISOLATOR, RADIATOR, UPPER.....	1
11	227336GT	NUT,NYLOCK,M10X1.50.....	1
12	T113975GT	WASHER, LOCK, M8, INTERNAL TOO.....	3
13	189293GT	ENGINE MOUNT L-BRKTIS.....	2
14	T113671GT	PLATE, RAD MOUNT, LOWER.....	2
15	T113974GT	HHC,M10-1.5 X 30, YELLOW ZINC.....	8
16	18507GT	1/4-20 X .75 LG.FLG.LCK.SCREW.....	4
17	6356GT	WASHER,LOCK,.25.....	8
18	6091GT	NUT,NYLOCK,1/4-20.....	8
19	T113975GT	WASHER, LOCK, M8, INTERNAL TOO.....	4
20	T113672GT	FORMING, BRKT, RAD MOUNT, LOW...1	1
21	T113673GT	ISOLATOR, RADIATOR, LOWER.....	2

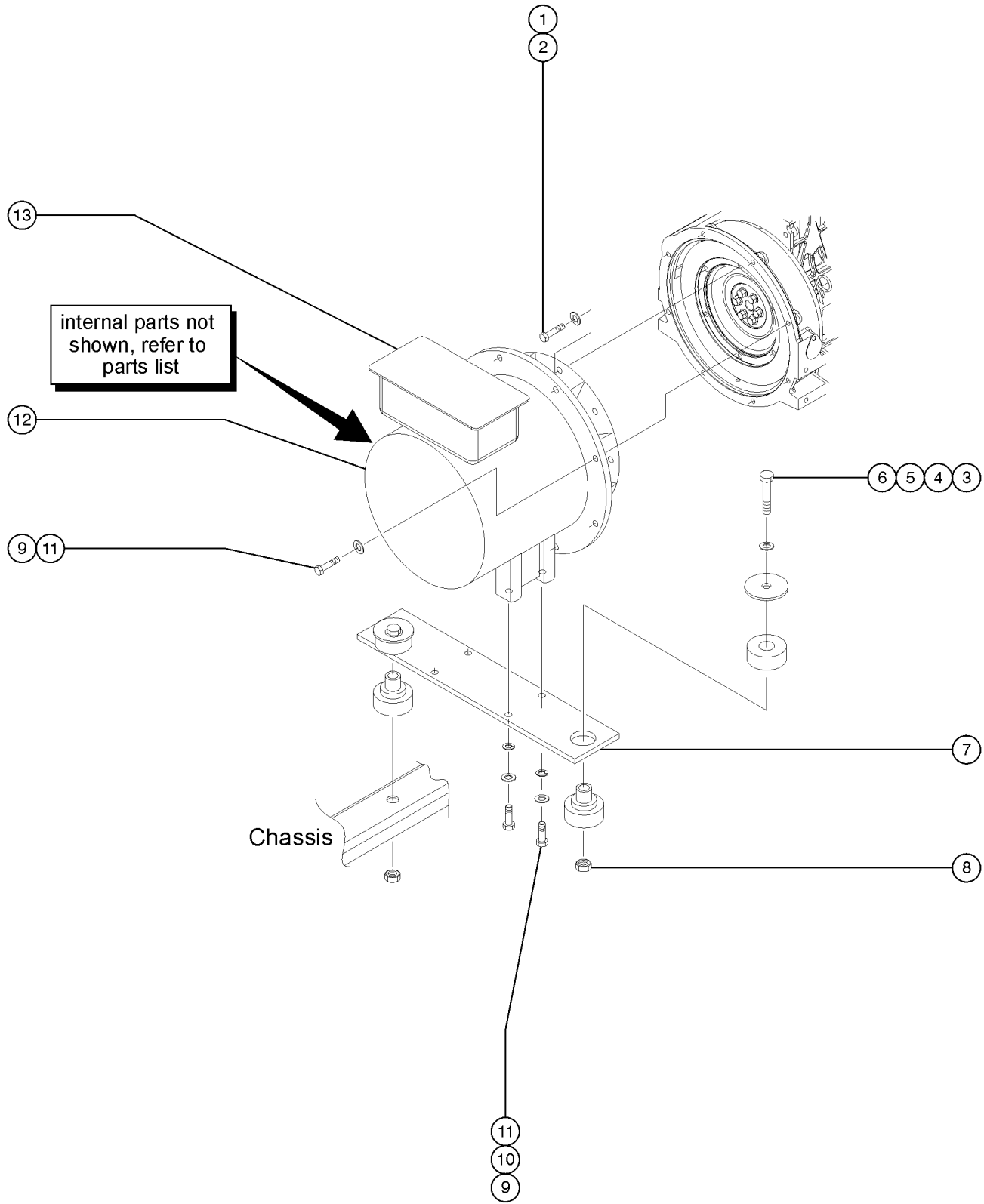
310.1 Generator, Leroy Somer 8 Kw



## 310.1 Generator, Leroy Somer 8 Kw

Item	Part No.	Description	Qty.
1A		Ref. GENERATOR,8KW,240V,60HZ,1P.....1 <i>(replaced by 116253GT)</i>	
--	116118GT	LEROY SOMER LSA OPS MANUAL	
1B	116279GT	KIT:GEN REFIT 8KW LSA37 TO MAR <i>(to convert from Leroy Somer to Marathon)</i>	
2	836831GT	NON DRIVE END BEARING HOUSING.....1	
3	836832GT	O-RING.....1	
4	836833GT	BEARING.....1	
5	836840GT	TERMINAL BOX COVER.....1	
6	836842GT	WASHER,WAVY, LEROY SOMER LSA37.....1	
7	836857GT	DIODE,70HF90,LSA38.....2	
8	109330GT	KIT:CAPACITOR REPLACEMENT, 8KW, L-S, 60HZ, 2-50UF.....1	
9	189335GT	GENERATOR MOUNT BARL-.....1	
10	113400GT	GROUND WIRE, GENSET TO TRAILER, 14"LG.....1	
11	R980000GT	WASHER, LOCK, STAR, 1/4 EXT.TOOTH, S/S.....2	
12	995490GT	SCREW,HH SLOT,1/4 X 0.75.....2	
13	990210GT	WASHER FLAT 1/2ZP.....4	
14	990820GT	SCREW,HHC,1/2-13 X 2 G.....2	
15	6198GT	NUT,NYLOCK,1/2-13.....2	
16	990410GT	WASHER FLAT FENDER1/2.....8	
17	740920GT	ISOLATOR,ENGINE,390LB.....4	
18	993510GT	SCREW,1/2-13NCX4HHC,GR 2,ZP.....2	

311.1 Generator, Marathon 8 Kw

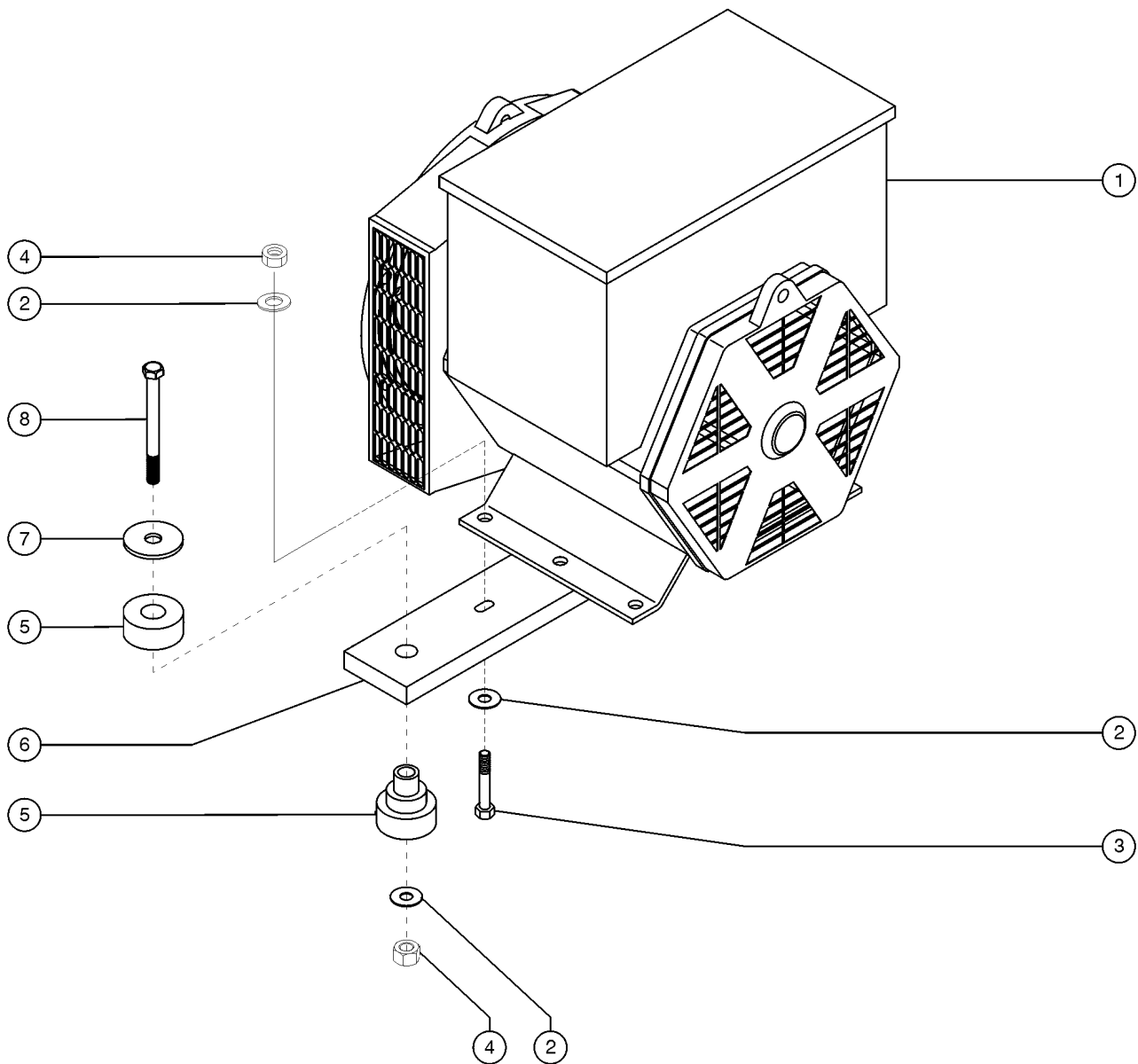




## 311.1 Generator, Marathon 8 Kw

Item	Part No.	Description	Qty.
--	116188GT	MANUAL,OP,MARATHON GENERATOR.....	1
1	123840GT	SCREW,HHC,5/16-18X.75,GR8,Y	
2	990460GT	WASHER LOCK 5/16 ZP BIN	
3	6-5208-32GT	SCREW,HHC,1/2-13X4,GR8	
4	990210GT	WASHER FLAT 1/2ZP.....	2
5	990415GT	WASHER,FLAT,SNUB 1/2X2-3/4 ZN.....	2
6	740920GT	ISOLATOR,ENGINE,390LB.....	2
7	189347GT	BRACKET,GENERATOR MOUNT.....	1
8	6198GT	NUT,NYLOCK,1/2-13.....	2
9	991761GT	SCREW,HHC,3/8-16 X 1.25	
10	998120GT	WASHER FLAT 3/8 ZP SAE BIN	
11	990470GT	WASHER LOCK 3/8ZP.....	4
12A	116253GT	GENERATOR,8KW,240V,60HZ,MAR..... (201CSA5420)	1
12B	116167GT	FAN..... (located within generator)	1
12C	116168GT	BEARING, ODE..... (located within generator)	1
12D	116169GT	BEARING,BRKT,ODE(5412)..... (located within generator)	1
12E	116172GT	O-RING..... (located within generator)	1
12F	116174GT	POT COVER..... (located within generator)	1
12G	116176GT	SCREEN ASY W/SPGS..... (located within generator)	1
12H	116177GT	DRIVE DISC(C-107) MARATHON..... (located within generator)	1
12J	116178GT	HUB SPACER..... (located within generator)	1
12K	836853GT	DIODE,MARATHON..... (located within generator)	1
12L	836856GT	MARATHON SUPPRESSOR/VARISTOR..... (located within generator)	1
13A	116183GT	CAPACITOR 25MF..... (38P7681)	1
--	116179GT	BOX,CONNECTOR,BASE..... (located within generator)	1
--	116182GT	COVER,CONNECTOR BOX (116179)..... (located within generator)	1
--	116184GT	CLAMP,CAPACITOR..... (located within generator)	1
--	116187GT	TERMINAL BLOCK..... (located within generator)	1
13B	229457GT	CAPACITOR, 8KW GENERATOR,5420 (8LHD599002)	

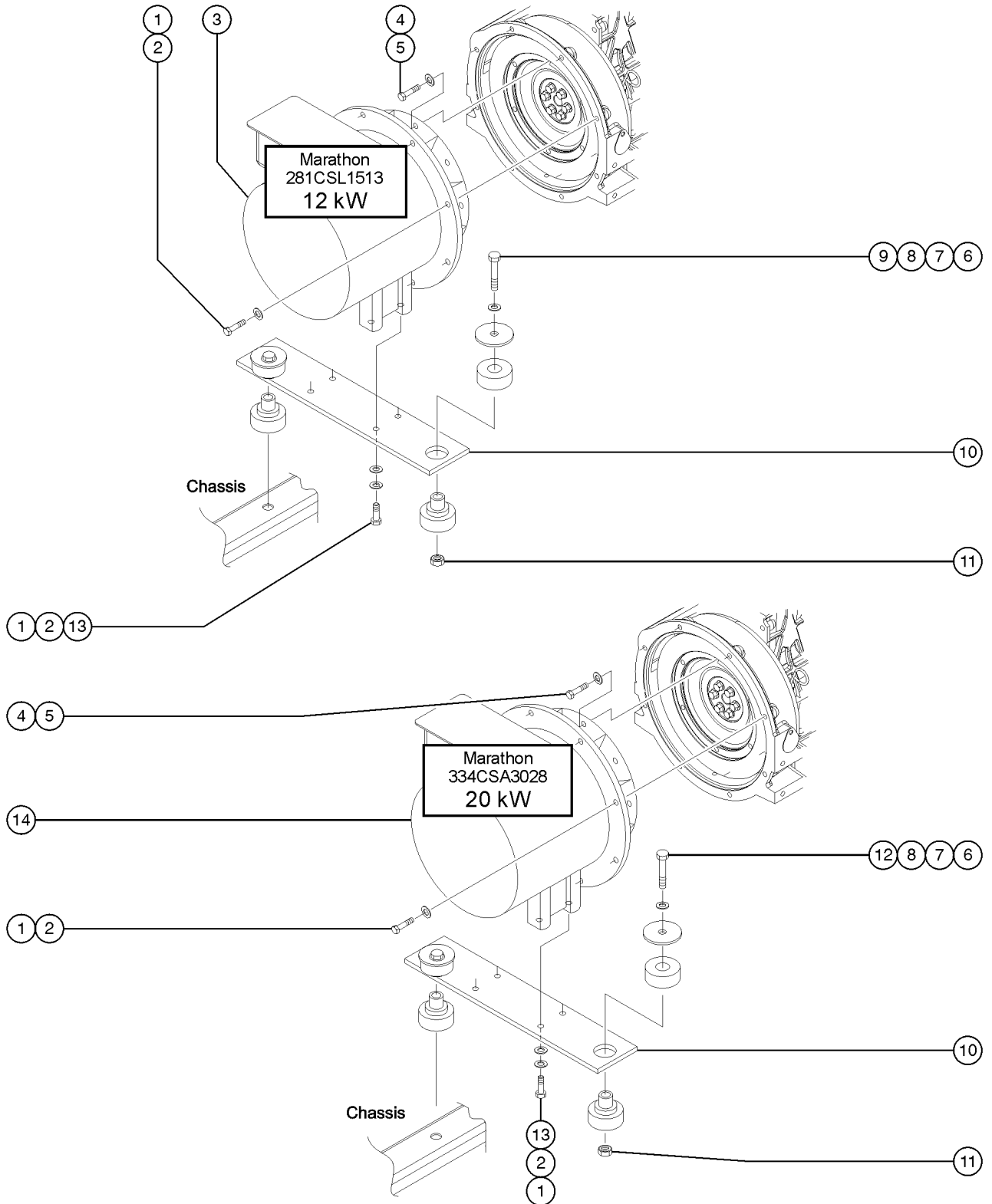
312.1 Generator, Newage 12 Kw and 20 Kw



## 312.1 Generator, Newage 12 Kw and 20 Kw

Item	Part No.	Description	Qty.
1A	830001GT	MANUAL, OP, NEWAGE BCH-018 BCI.....	1
1B		Ref. GENERATOR,20KVA,240VAC,60HZ,1P..1 (refer to 313.1, replaced by T110451GT)	
1C	T113282GT	KIT, 20K GENERATOR REPLACEMENT (to convert from Newage to Marathon)	
1D		Ref. GENERATOR NEWAGE 12KW BCI164C (refer to 313.1, replaced by T113584GT)	
1E	836420GT	VOLTAGE REGULATOR NEWAGE GENS.....	1
1F	836427GT	RECTIFIER, NEWAGE.....	1
2	990210GT	WASHER FLAT 1/2ZP.....	6
3	990820GT	SCREW,HHC,1/2-13 X 2 G.....	2
4	6198GT	NUT,NYLOCK,1/2-13.....	4
5	740920-50GT	VIBRATION MNT 150LB 50 DUROMTR.....	2
6	189335GT	GENERATOR MOUNT BARL-.....	1
7	990410GT	WASHER FLAT FENDER1/2.....	2
8	990220GT	SCREW,HHC,1/2-13 X 3.5.....	2

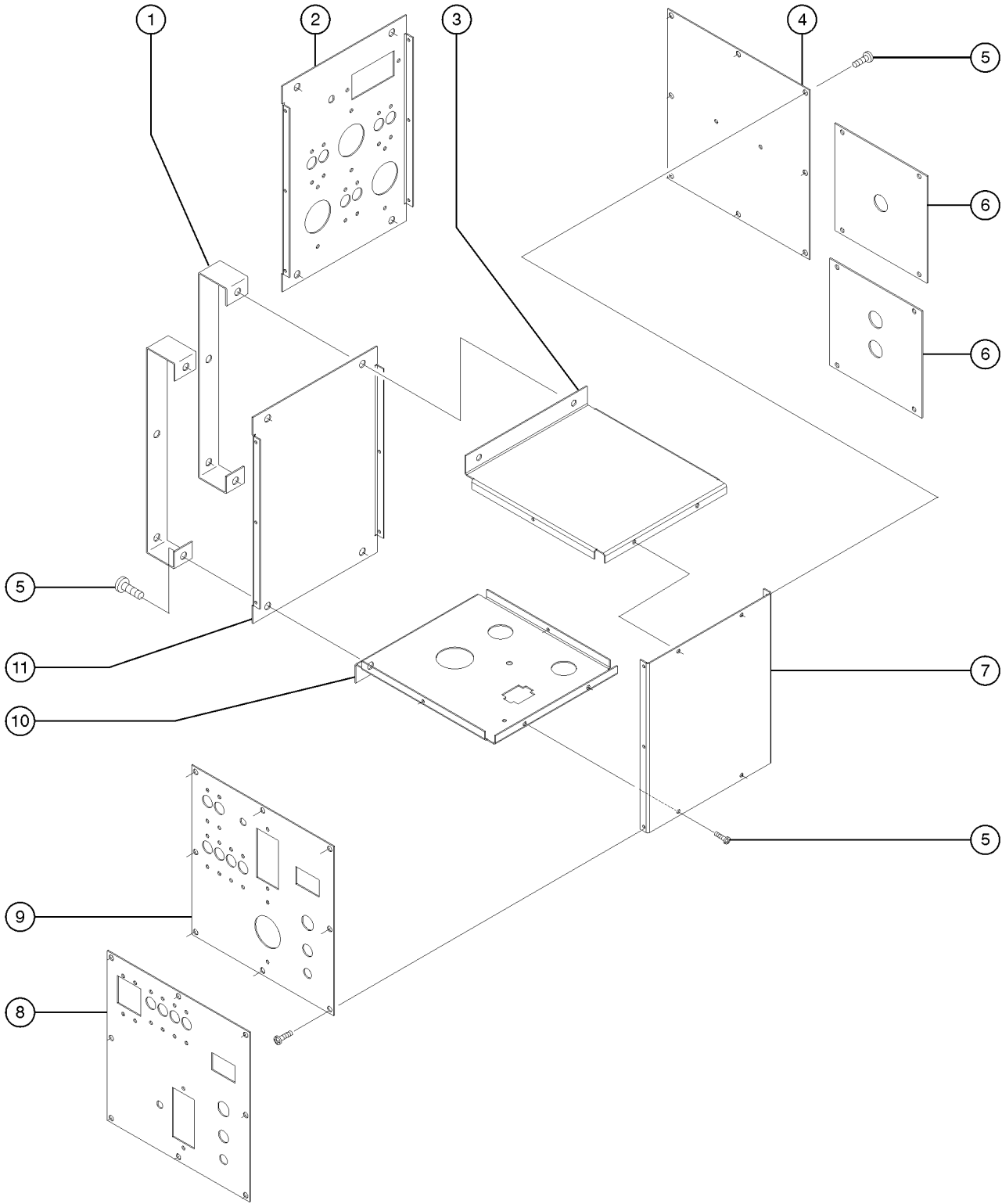
313.1 Generator, Marathon 12 Kw and 20 Kw



## 313.1 Generator, Marathon 12 Kw and 20 Kw

Item	Part No.	Description	Qty.
--	T111627GT	MANUAL, OP, MARATHON 20K	
--	T113586GT	MANUAL, OP, MARATHON 12K	
1	991761GT	SCREW,HHC,3/8-16 X 1.25.....8	8
2	990470GT	WASHER LOCK 3/8ZP.....8	8
3	T113584GT	GENERATOR, MARATHON 12K.....1	1
--	CSE350GT	MARATHON VOLTAGE REGULATOR	
--	T111700GT	BEARING, MARATHON GEN <i>(replaced T113589GT)</i>	
--	T113586GT	MANUAL, OP, MARATHON 12K	
--	T113587GT	RECTIFIER, MARATHON 12K	
4	123840GT	SCREW,HHC,5/16-18X.75,GR8,Y.....6	6
5	990460GT	WASHER LOCK 5/16 ZP BIN.....6	6
6	6732GT	SCREW,HHC,1/2-13 X 3.25	
7	6-6212-08GT	WASHER,FLAT,USS,1/2",Y	
8	990410GT	WASHER FLAT FENDER 1/2	
9	116729GT	ISOLATOR,ENGINE,70D	
10	T110456GT	BRACKET, MOUNT GENERATOR.....1	1
11	6198GT	NUT,NYLOCK,1/2-13.....2	2
12	740920GT	ISOLATOR,ENGINE,390LB.....2	2
13	981120GT	WASHER FLAT 3/8 ZP SAE BIN.....4	4
14	T110451GT	GENERATOR, MARATHON 20KW.....1	1
--	161050GT	FAN, MARATHON 20 KW GENERATOR	
--	824820GT	END BELL,MARATHON 20 KW GEN <i>includes bearing</i>	
--	CSE350GT	MARATHON VOLTAGE REGULATOR	
--	T111627GT	MANUAL, OP, MARATHON 20K <i>(from AL511-230)</i>	
--	T111628GT	EXCITER,ROTOR/RECTIFIER 20K	
--	T111700GT	BEARING, MARATHON GEN	

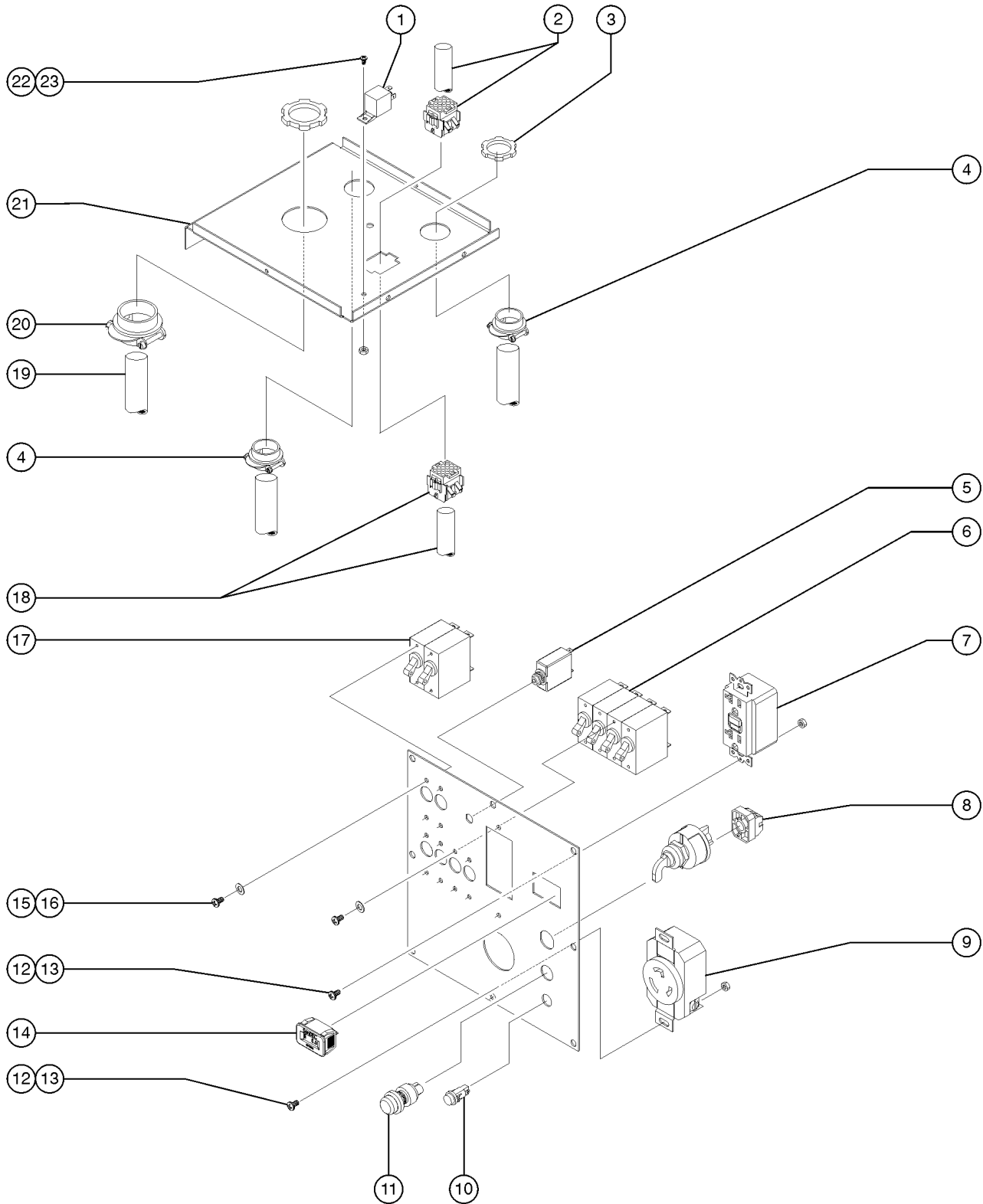
401.1 Control Box Assembly, View 1



## 401.1 Control Box Assembly, View 1

Item	Part No.	Description	Qty.
1	189390GT	ELEC.BOX MOUNTINGBRKT..... <i>(models without external power access)</i>	2
2	185405GT	PLATE,CTRL BOX,LEFT EXT PWR..... <i>(models with external power source) (20 KW)</i>	1
3	186801GT	PLATE, TOP,CNTRL BOX.....	1
4	186733GT	CONTROL BOX,REAR,RODA.....	1
5	973030GT	KIT:ELEC.CONTROL BOX ASSY <i>(control box, bolt together kit)</i>	
6A		Ref. PLATE COIL CORD CAB MOUNT <i>(1 coil cord) (refer to 209.1)</i>	
6B		Ref. PLATE,2 COIL CORD, CAB MT. <i>(2 coil cords) (refer to 209.1)</i>	
7A	185370GT	PLATE,RH,CNTRL BOX..... <i>(models without Roda Deaco)</i>	1
7B	185382GT	CONTROL BOX,RIGHT SIDE,RODA <i>(models with Roda Deaco)</i>	
7C	227147GT	PLATE,CTRL BOX RIGHT, GFI <i>(models with extra GFI)</i>	
8	T114068GT	CONTROL BOX FACE PLT,EXT PWR <i>(models with external power source) (20 KW)</i>	
9A	T113805GT	PANEL,CNTL BOX FACE,8 LIGHT <i>(models without external power source)</i>	
9B	T114066GT	PLATE,FACE,CNTL BOX,4LT W/GFI <i>(models without external power source)</i>	
10	186788GT	PLATE,CTRL BOX,BOTTOM.....	1
11	185390GT	PLATE, TOP&SIDE,CNTRL BOX..... <i>(models without external power source)</i>	1

402.1 Control Box Assembly, View 2, Standard Box

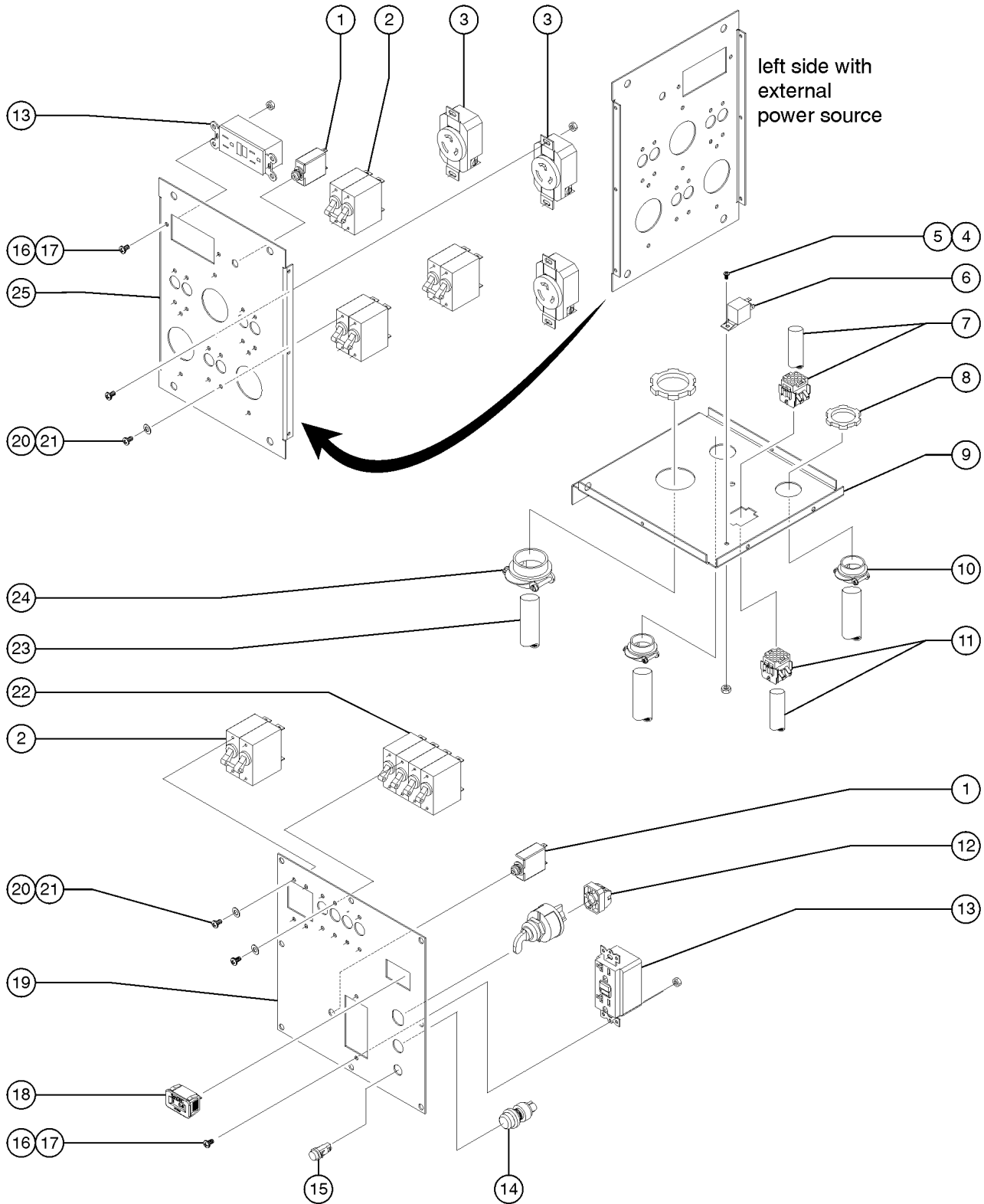




402.1 Control Box Assembly, View 2, Standard Box

Item	Part No.	Description	Qty.	Item	Part No.	Description	Qty.
--	116780GT	ELEC.BOX W/C-CORD 4LT AC-DCKUB <i>(8 Kw models with 4 lights)</i>		12	47363GT	SCREW,RHM,8-32 X .50	
--	116632GT	ELEC.BOX W/C-CORS,AC-DC,KUB <i>(8 Kw models with 6 lights)</i>		13	18542GT	NUT,HEX,8-32	
--	116724GT	ELEC.BOX,W/C-CORD,12KW AC-DC <i>(12 Kw models with 4 lights)</i>		14	T106193GT	HOURLMETER,DIGITAL,RECTANGULAR.1	
--	227314GT	ELEC BOX,12KW,6LIGHT <i>(12 Kw models with 6 lights)</i>		15	995300GT	SCREW,PHM,6-32 X .25	
--	116322GT	ELEC. BOX W/C-CORD <i>(20 Kw models with 4 lights)</i>		16	994420GT	WASHER,LOCK,#6 SS	
--	227318GT	ELEC BOX,20KW,6LIGHT <i>(20 Kw models with 6 lights)</i>		17	T113644GT	BREAKER,30A 250VAC 2P,CSA.....1	
--	227652GT	ELEC BOX, 8KW, 4L,4POLE T/L <i>(8 Kw models with 4 lights and 4 pole twistlock)</i>		18	116820GT	WIRE HARN,ENG,KUBOTA,DC,2006.....1	
--	227635GT	ELEC BOX, 8KW, 6L,4POLE T/L <i>(8 Kw models with 6 lights and 4 pole twistlock)</i>		19	663890GT	CORD SET FEMALE 6FT 5.....1	
--	227639GT	ELEC BOX, 12KW, 4L, RD,4PTL <i>(12 Kw models with 4 lights and 4 pole twistlock)</i>		20	686220GT	CONNECTOR 2 SCREW 1.25T-B.....1	
--	227645GT	ELEC BOX, 20KW, 6L,4PTL <i>(12 Kw models with 6 lights and 4 pole twistlock)</i>		21		Ref. Plate, Control Box Bottom <i>(refer to 401.1)</i>	
--	227643GT	ELEC BOX, 20KW, 4L,4PTL <i>(20 Kw models with 4 lights and 4 pole twistlock)</i>		22	55906GT	SCREW,PHILLIPS,PHM,8-32 X .5	
--	227632GT	ELEC BOX, 20KW, 6L,4PTL <i>(20 Kw models with 6 lights and 4 pole twistlock)</i>		23	49779GT	NUT,LOCK,8-32	
1	R661490GT	RELAY 12V DC 30A NO OR.....1					
2	116815GT	WIRE HARN,DC,IN CTRL BOX,2006.....1					
3	680250GT	LOCKNUT, CONDUIT 3/4CSA APPVD					
4	680030GT	CONNECTOR 2 SCREW 3/4.....2					
5	T113642GT	BREAKER,20A MINI,120VAC 1P,CSA.....1					
6A	T113641GT	BREAKER,15A,120VAC 1P,CSA.....4 <i>(models with 4 lights)</i>					
6B	T113641GT	BREAKER,15A,120VAC 1P,CSA.....2 <i>(models with 6 lights)</i>					
6C	T113643GT	BREAKER,20A,120VAC 1P,CSA.....2 <i>(models with 6 lights)</i>					
6D	T113641GT	BREAKER,15A,120VAC 1P,CSA.....6 <i>(8 Kw models with 6 lights)</i>					
7	684640GT	RECEPTACLE 20A 120V DUPLEX GFI.....1					
8	684380GT	IGNITION SWITCH,LEVER OPR.....1					
9A	684450GT	RECEP 30A 20V 3POLE.....1					
9B	686160GT	RECEP 30A 120/240V 4 POLE					
10	824879GT	LIGHT,LED IND. RED 12V NH.....1					
11	R661490GT	RELAY 12V DC 30A NO OR.....1					

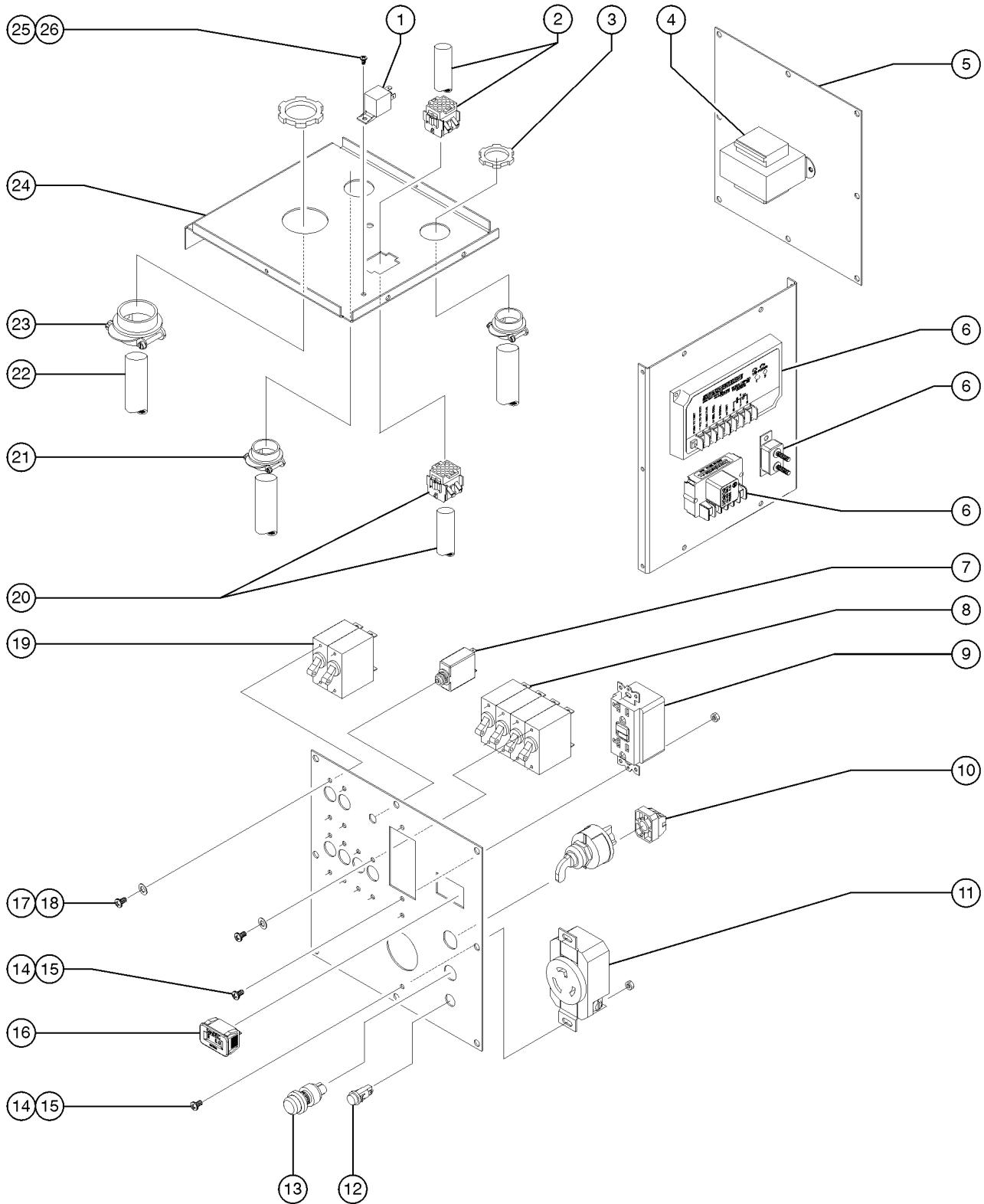
403.1 Control Box Assembly, View 2, External Power Access



403.1 Control Box Assembly, View 2, External Power Access

Item	Part No.	Description	Qty.	Item	Part No.	Description	Qty.
--	227310GT	ELEC BOX, 8KW,4L,XTRA GFI <i>(8 Kw models with 4 lights)</i>		21	994420GT	WASHER,LOCK,#6 SS	
--	227312GT	ELEC BOX,12KW,4L,XTRA GFI <i>(12 Kw models with 4 lights)</i>		22A	T113641GT	BREAKER,15A,120VAC 1P,CSA.....4 <i>(4 lights)</i>	
--	227315GT	ELEC BOX,12KW,6L,XTRA GFI <i>(12 Kw models with 6 lights)</i>		22B	T113641GT	BREAKER,15A,120VAC 1P,CSA.....2 <i>(6 lights)</i>	
--	227317GT	ELEC BOX,20KW,4L,XTRA GFI <i>(20 Kw models with 4 lights)</i>		22C	T113643GT	BREAKER,20A,120VAC 1P,CSA.....2 <i>(6 lights)</i>	
--	227319GT	ELEC BOX,20KW,6L,XTRA GFI <i>(20 Kw models with 6 lights)</i>		22D	T113641GT	BREAKER,15A,120VAC 1P,CSA.....6 <i>(8Kw, 6 light)</i>	
--	227653GT	ELEC BOX, 8KW, 4L, XGFI,4PTL <i>(8 Kw models with 4 lights and 4 pole twistlock)</i>		23	663890GT	CORD SET FEMALE 6FT 5 <i>(to ballast boxes)</i>	
--	227638GT	ELEC BOX, 12KW, 4L, XGFI,4PTL <i>(12 Kw models with 4 lights and 4 pole twistlock)</i>		24	686220GT	CONNECTOR 2 SCREW 1.25T-B	
--	227641GT	ELEC BOX, 12KW, 6L, XGFI,4PTL <i>(12 Kw models with 6 lights and 4 pole twistlock)</i>		25		Ref. Plate, Control Box LH Side <i>(refer to 401.1)</i>	
--	227631GT	ELEC BOX, 20KW, 4L, XGFI,4PTL <i>(20 Kw models with 4 lights and 4 pole twistlock)</i>					
--	227633GT	ELEC BOX, 20KW, 6L, XGFI,4PTL <i>(20 Kw models with 6 lights and 4 pole twistlock)</i>					
1	T113642GT	BREAKER,20A MINI,120VAC 1P,CSA.....2					
2	T113644GT	BREAKER,30A 250VAC 2P,CSA.....3					
3A	684450GT	RECEP 30A 20V 3POLE.....3					
3B	686160GT	RECEP 30A 120/240V 4 POLE.....3					
4	55906GT	SCREW,PHILLIPS,PHM,8-32 X .5					
5	49779GT	NUT,LOCK,8-32					
6	R661490GT	RELAY 12V DC 30A NO OR.....1					
7	116815GT	WIRE HARN,DC,IN CTRL BOX,2006.....1					
8	680250GT	LOCKNUT, CONDUIT 3/4CSA APPVD...2					
9		Ref. Plate, Control Box, Bottom <i>(refer to 401.1)</i>					
10	680030GT	CONNECTOR 2 SCREW 3/4					
11	116820GT	WIRE HARN,ENG,KUBOTA,DC,2006.....1					
12	684380GT	IGNITION SWITCH,LEVER OPR.....1					
13	684640GT	RECEPTACLE 20A 120V DUPLEX GFI.....2					
14	R660010GT	SWITCH PUSH-BUTTON W/BOOT.....1					
15	824879GT	LIGHT,LED IND. RED 12V NH.....1					
16	47363GT	SCREW,RHM,8-32 X .50					
17	18542GT	NUT,HEX,8-32					
18	T106193GT	HOURMETER,DIGITAL,RECTANGULAR.1					
19		Ref. Plate, Control Box Face <i>(refer to 401.1)</i>					
20	995300GT	SCREW,PHM,6-32 X .25					

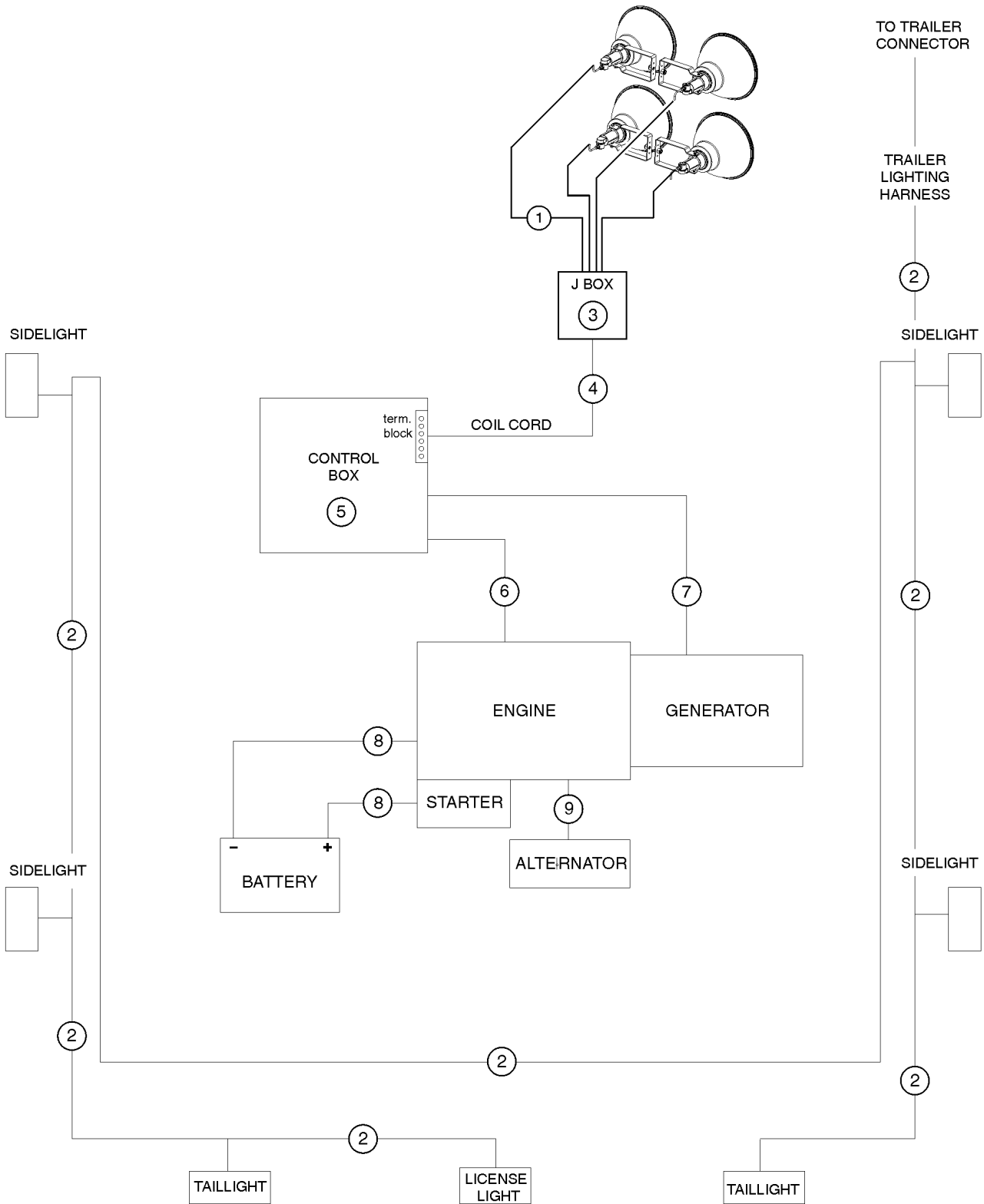
404.1 Control Box Assembly, View 2, Roda Deaco



404.1 Control Box Assembly, View 2, Roda Deaco

Item	Part No.	Description	Qty.	Item	Part No.	Description	Qty.
--	116794GT	ELEC.BOX W/C-CORD,RODA KUB <i>(8 Kw models with 4 lights)</i>		9	684640GT	RECEPTACLE 20A 120V DUPLEX GFI.....	1
--	227311GT	ELEC BOX,8KW,6L,RD <i>(8 Kw models with 6 lights)</i>		10	684380GT	IGNITION SWITCH,LEVER OPR.....	1
--	227313GT	ELEC BOX,12KW,4L,RD <i>(12 Kw models with 4 lights)</i>		11A	684450GT	RECEP 30A 20V 3POLE.....	1
--	227316GT	ELEC BOX,12KW,6L,RD <i>(12 Kw models with 6 lights)</i>		11B	686160GT	RECEP 30A 120/240V 4 POLE	
--	T110701GT	KIT,ELEC.COMP.BOX,ISU/RODA,20K <i>(20 Kw models with 4 lights)</i>		12	824879GT	LIGHT,LED IND. RED 12V NH.....	1
--	227320GT	ELEC BOX,20KW,6L,RD <i>(20 Kw models with 6 lights)</i>		13	R660010GT	SWITCH PUSH-BUTTON W/BOOT.....	1
--	227654GT	ELEC BOX, 8KW, 4L, RD,4PTL <i>(8 Kw models with 4 lights and 4 pole twistlock)</i>		14	47363GT	SCREW,RHM,8-32 X .50	
--	227636GT	ELEC BOX, 8KW, 6L, RD, 4PTL <i>(8 Kw models with 6 lights and 4 pole twistlock)</i>		15	18542GT	NUT,HEX,8-32	
--	227639GT	ELEC BOX, 12KW, 4L, RD,4PTL <i>(12 Kw models with 4 lights and 4 pole twistlock)</i>		16	T106193GT	HOURMETER,DIGITAL,RECTANGULAR.1	
--	227640GT	ELEC BOX, 12KW, 6L,4PTL <i>(12 Kw models with 6 lights and 4 pole twistlock)</i>		17	995300GT	SCREW,PHM,6-32 X .25	
--	227644GT	ELEC BOX, 20KW, 4L, RD,4PTL <i>(20 Kw models with 4 lights and 4 pole twistlock)</i>		18	994420GT	WASHER,LOCK,#6 SS	
--	227634GT	ELEC BOX, 20KW, 6L, RD,4PTL <i>(20 Kw models with 6 lights and 4 pole twistlock)</i>		19	T113644GT	BREAKER,30A 250VAC 2P,CSA.....	1
1	R661490GT	RELAY 12V DC 30A NO OR.....	1	20	116820GT	WIRE HARN,ENG,KUBOTA,DC,2006..... <i>(8KW, Standard Box)</i>	1
2	116815GT	WIRE HARN,DC,IN CTRL BOX,2006.....	1	21	680030GT	CONNECTOR 2 SCREW 3/4.....	2
3	680250GT	LOCKNUT, CONDUIT 3/4CSA APPVD...2		22	663890GT	CORD SET FEMALE 6FT 5	
4	669086GT	TRANSFORMER 120/24VAC..... <i>(models with Roda Deaco)</i>	1	23	686220GT	CONNECTOR 2 SCREW 1.25T-B	
5		Ref. Control Box Rear <i>(refer to 401.1)</i>		24		Ref. Plate, Control Box, Bottom <i>(refer to 401.1)</i>	
6	742369GT	SHUTDOWN ,OVERSPEED,RD <i>(includes fuse and breaker)</i>		25	55906GT	SCREW,PHILLIPS,PHM,8-32 X .5	
--	975150GT	KIT:RODA-DEACO MOUNTING		26	49779GT	NUT,LOCK,8-32	
--	975151GT	KIT:RODA DEACO WIRING					
7	T113642GT	BREAKER,20A MINI,120VAC 1P,CSA.....	1				
8A	T113641GT	BREAKER,15A,120VAC 1P,CSA..... <i>(4 lights)</i>	4				
8B	T113641GT	BREAKER,15A,120VAC 1P,CSA..... <i>(6 lights)</i>	2				
8C	T113643GT	BREAKER,20A,120VAC 1P,CSA..... <i>(6 lights)</i>	2				
8D	T113641GT	BREAKER,15A,120VAC 1P,CSA..... <i>(8Kw, 6 light)</i>	6				

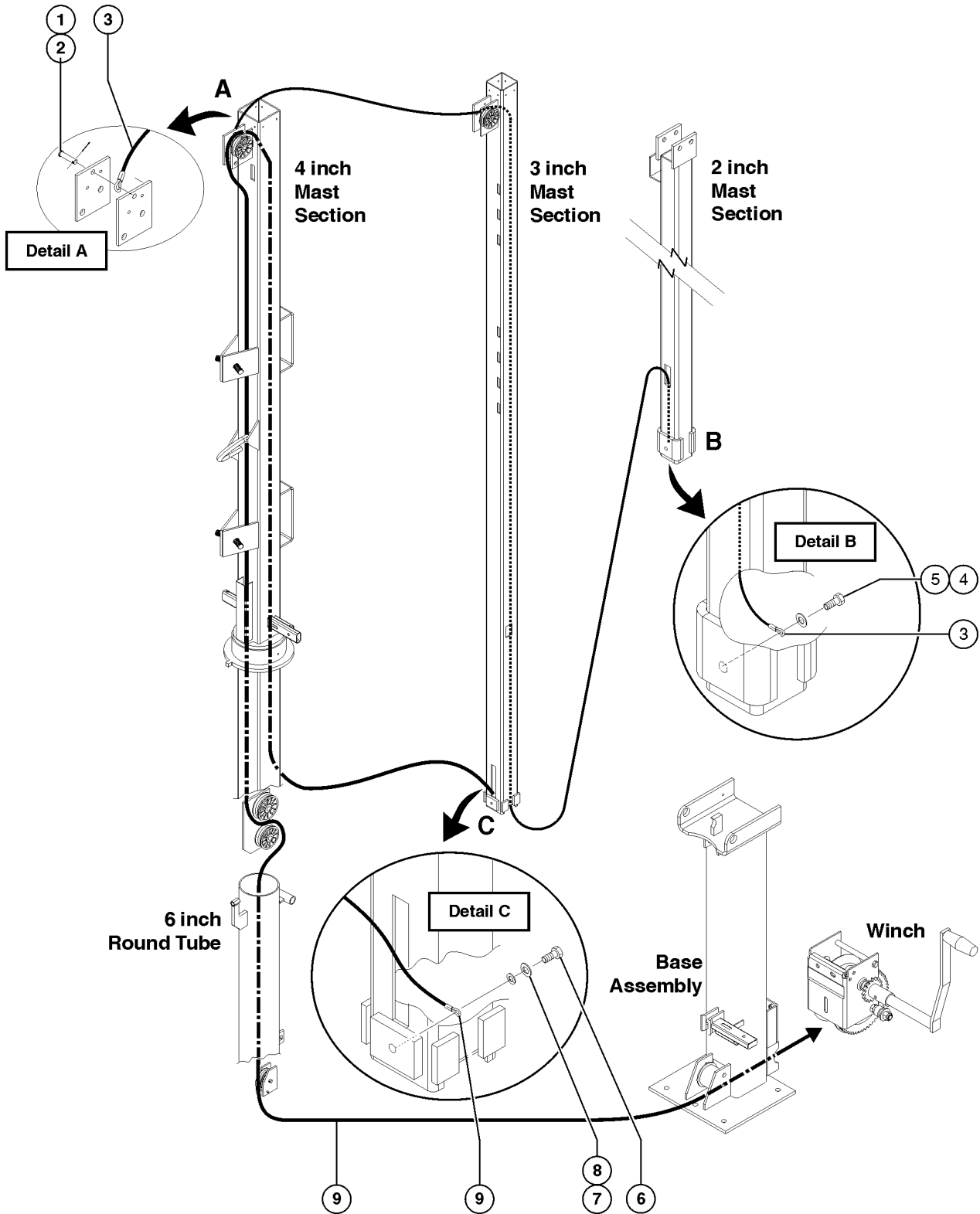
405.1 Electrical Wiring and Power Cables



## 405.1 Electrical Wiring and Power Cables

Item	Part No.	Description	Qty.
1		Ref. LAMP PIGTAIL (refer to 508.1 or 508.2)	
2A	663515GT	WIRE HARNESS, TAIL LIGHTS.....1	
--	663400GT	CONNECTOR, 7-POLE, TLITE, RND PIN (7-pole connector (blade))	
--	663401GT	CONNECTOR, BLADE, POS, TAILT, 7P (7-pole connector (round)); 663405 required, order separately)	
--	663420GT	CONNECTOR, TAIL LIGHT, 6 POLE (6-pole connector)	
--	663430GT	CONNECTOR, TAILLIGHT, 4 PIN (4-pole connector)	
2B	T109325GT	SVC KIT, TAILLIGHTS, AL	
3	C48300108GT	BOX, JUNC, LIGHT TWR, 4 CONN	
--	680080GT	GRIP, HUBBLE 07401010	
--	680190GT	COVER, JUNC BOX W/GSKT, 2 GANG	
--	994380GT	SCREW, RH, 6-32 X 5/8	
--	C48300108GT	BOX, JUNC, LIGHT TWR, 4 CONN	
4A	826917GT	KIT COIL CORD W JUNCTION BOX.....1 (coil cord with junction box, includes item 3)	
--	663870GT	CONNECTOR 3P FEMALE RECEPTACLE	
4B	22112555GT	COIL CORD W/JUN BOX, HW (models with hard-wired coil cord)	
4C	22112575GT	COIL CORD, DEUTSCH (coil cord without junction box)	
5	116815GT	WIRE HARN, DC, IN CTRL BOX, 2006.....1 (engine)	
--	116770GT	WIRE HARN, AC, 60HZ, 1-240V&1-GFI (switches)	
6A	116820GT	WIRE HARN, ENG, KUBOTA, DC, 2006.....1 (engine)	
6B	116821GT	WIRE HARN, ENG, ISUZU, 4LE1, AL5 (engine)	
--		FUSE, 40 AMP, ATC (available soon) (for 116821GT)	
--	800004GT	PIGTAIL, FUEL SOLENOID, KUBOTA	
7	660101GT	CORD 10/4 SEO W-ABLAC.....1	
8	230056GT	KIT: BATTERY CABLE AL5/AL8.....1	
9	973085GT	KIT: ALTERNATOR WIRING, KUBOTA.....1	

501.1 Mast Assembly and Winch Cable Routing

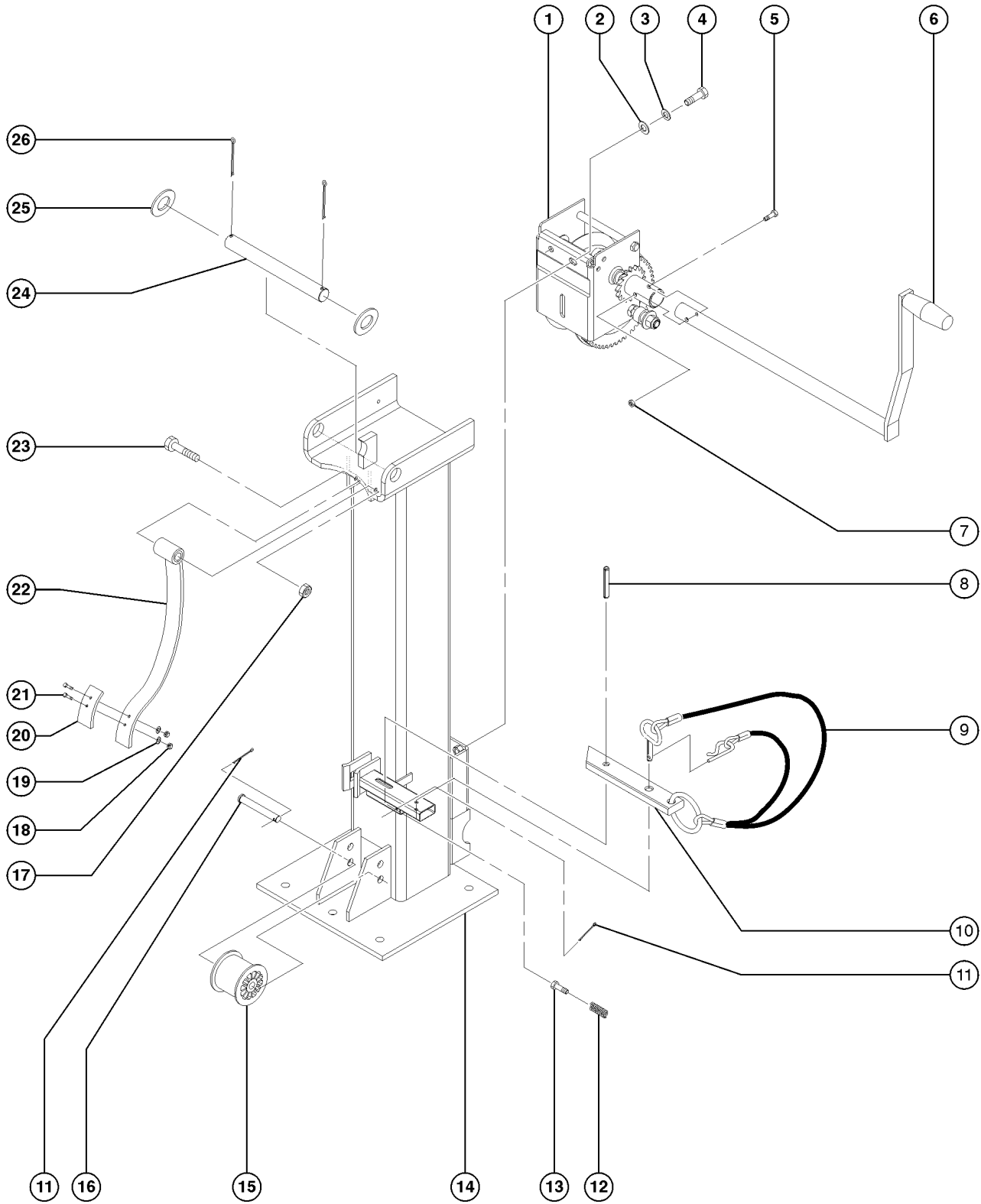




## 501.1 Mast Assembly and Winch Cable Routing

Item	Part No.	Description	Qty.
1	995780GT	CLEVIS PIN STAINLESSS.....	1
2	990650GT	COTTER PIN 1/8X1 SSBIN STOCK.....	1
3	190570GT	CABLE,3/16",2EYE,111.25IN LONG.....	1
4	996230GT	SCREW,HHC,3/8-16 X 7/8.....	1
5	990470GT	WASHER LOCK 3/8ZP.....	1
6	990181GT	SCREW 3/8-16NCX1 HHC GR.....	1
7	15086GT	WASHER,FLAT,.375 X 1.5 X .125.....	1
8	990470GT	WASHER LOCK 3/8ZP.....	1
9	22110700GT	MA-CABLE ASSEMBLY 1/4.....	1

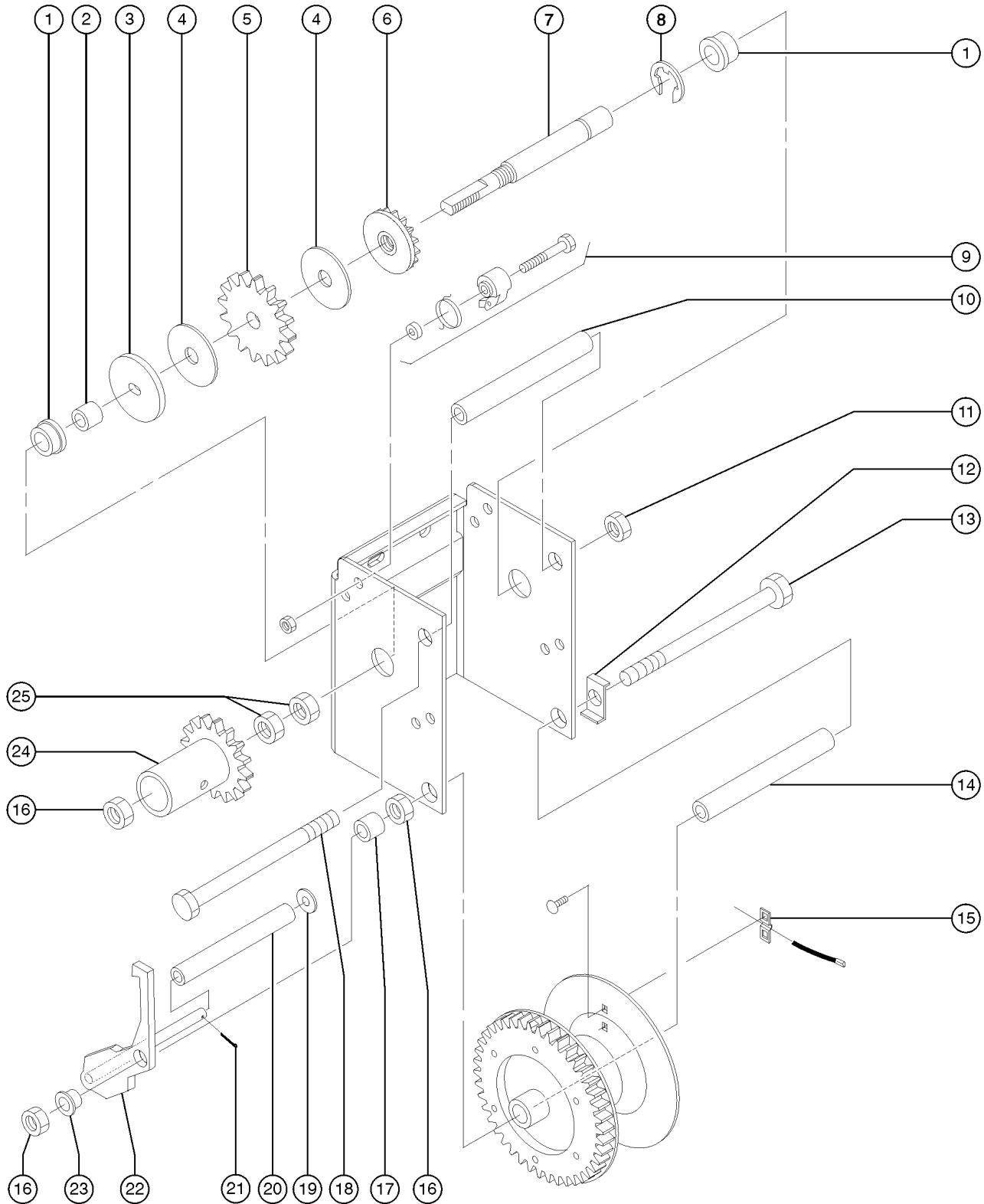
502.1 Tower Base Assembly



## 502.1 Tower Base Assembly

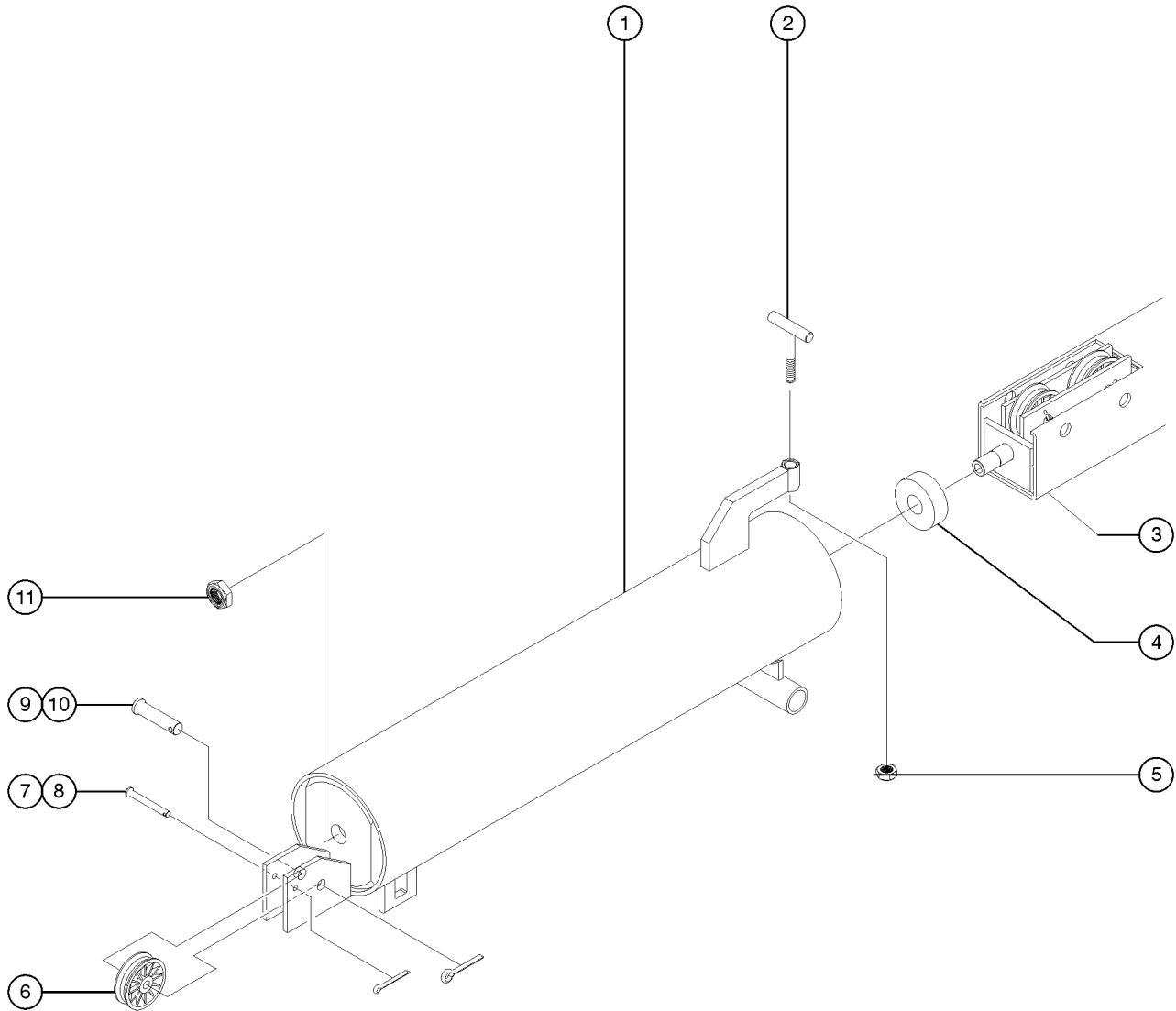
Item	Part No.	Description	Qty.
1		Ref. Winch (refer to 503.1)	
2	990080GT	WASHER FLAT 3/8USS ZPBIN.....	2
3	990470GT	WASHER LOCK 3/8ZP.....	2
4	981575GT	SCREW,HHC,3/8-16 X 1 GR 5 ZP.....	2
5	6-5204-16GT	SCREW,HHC,1/4-20X2.00,GR8.....	1
6	22114420GT	WINCH HANDLE W/TUBE1 X 29LG.....	1
7	990150GT	NUT,NYLOCK,1/4-20 GR2.....	1
8	990660GT	ROLL PIN 1/4 X1-5/8.....	1
9	113362GT	MA-PIN LOCK SLIDE WITH RING..... (includes cable and pin)	1
10	22109517GT	KIT:LOCK SLIDE PIN W/..... (includes items 8-13)	1
11	990650GT	COTTER PIN 1/8X1 SSBIN STOCK.....	2
12	790710GT	SPRING,COIL,1/2 X 2.25.....	1
13	980340GT	SCREW,HHC,5/16-18 X 0.5 IN.....	1
14	124490GT	TOWER BASE ROT.TWR.30..... (decals not included; refer to section 1)	1
15	184510GT	SHEAVE SPOOL 3 X2-1/2.....	1
16	995760GT	CLEVIS PIN STAINLESSS.....	1
17	990200GT	NUT,NYLOCK,1/2-13 GR2.....	1
18	995420GT	NUT LOCK NYLON INSERT.....	2
19	995420GT	NUT LOCK NYLON INSERT.....	2
20	186360GT	FP-BUMPER PAD,KICKOUT SPRING....	1
21	995050GT	SCREW #10-32NFX3/4 LO.....	1
22	193750GT	SPRING,KICKOUT,0.262X1.75,AL'S.....	1
23	981920GT	SCREW,HHC,1/2-13 X 3 G.....	1
24	971290GT	KIT:TWR,30'CBL TO PIVOT POST..... (includes items 25 and 26)	1
--	173115GT	PIN 1X9-1/4 TOWER PIVOT	
25	994000GT	WASHER FLAT 1S/S 18-8BIN.....	2
26	990770GT	COTTER PIN 3/16X1.5 SS.....	2

503.1 Winch



Item	Part No.	Description	Qty.
A	109485GT	KIT-WINCH W/SAFETY LO <i>(includes items 1-25) (handle not included)</i>	
B	740050-1GT	KIT- WINCH - SOCKET FULTON <i>(includes items 1-16 and 24-25)</i>	
--	22114420GT	WINCH HANDLE W/TUBE1 X 29LG	
1	6199GT	BUSHING, SMALL PINION, FULTON.....	2
2	32890GT	SPACER,PINION SHAFT.....	1
3	7591GT	WINCH PINION PLATE, K-1550.....	1
4	1256083GT	SVC KIT, FRICTION DISC K/KX.....	2
5	6777GT	RATCHET GEAR,K-1550 1/2" I.D.....	1
6	7590GT	PINION GEAR AND DISC K-1550.....	1
7		Ref. Pinion Shaft <i>(not sold separately)</i>	
8	6200GT	RETAINING RING.....	1
9	6291GT	RATCHET KIT (K-1500,K-1550)**.....	1
10	7584GT	FRAME SPACER,K-1550.....	1
11	12012GT	NUT,LOCK,3/8-16.....	1
12	31946GT	WINCH BRACKET, DRUM BOLT LOCK.....	1
13	22832GT	SCREW,HHC,3/8-16 X 6.....	2
14	6184GT	SPACER, DRUM BOLT, K-1550	
15	740050-2GT	CABLE HARDWARE FULTON WINCH.... <i>(includes fasteners)</i>	1
16	6198GT	NUT,NYLOCK,1/2-13.....	1
17	124857GT	SPACER .5 ID 1.25ODNO. 5968.....	1
18	69209GT	SCREW,HHC,3/8-16 X 5.5 GRD 8	
19	980480GT	WASHER FLAT C816L S/S.....	1
20	124858GT	BUSHING,WINCH ROLLER LOCK.....	1
21	990650GT	COTTER PIN 1/8X1 SSBIN STOCK.....	1
22	124855GT	RATCHET ARM FULTONWI.....	1
--	109486GT	KIT-WINCH SAFETY LOCK <i>(includes items 13, 15-21, and 23)</i>	
23	124856GT	BUSHING FLANGE 1.25OD.....	1
24	124860GT	HANDLE SOCKET RATCHET.....	1
25	6034GT	NUT,HEX,JAM,1/2-13.....	2

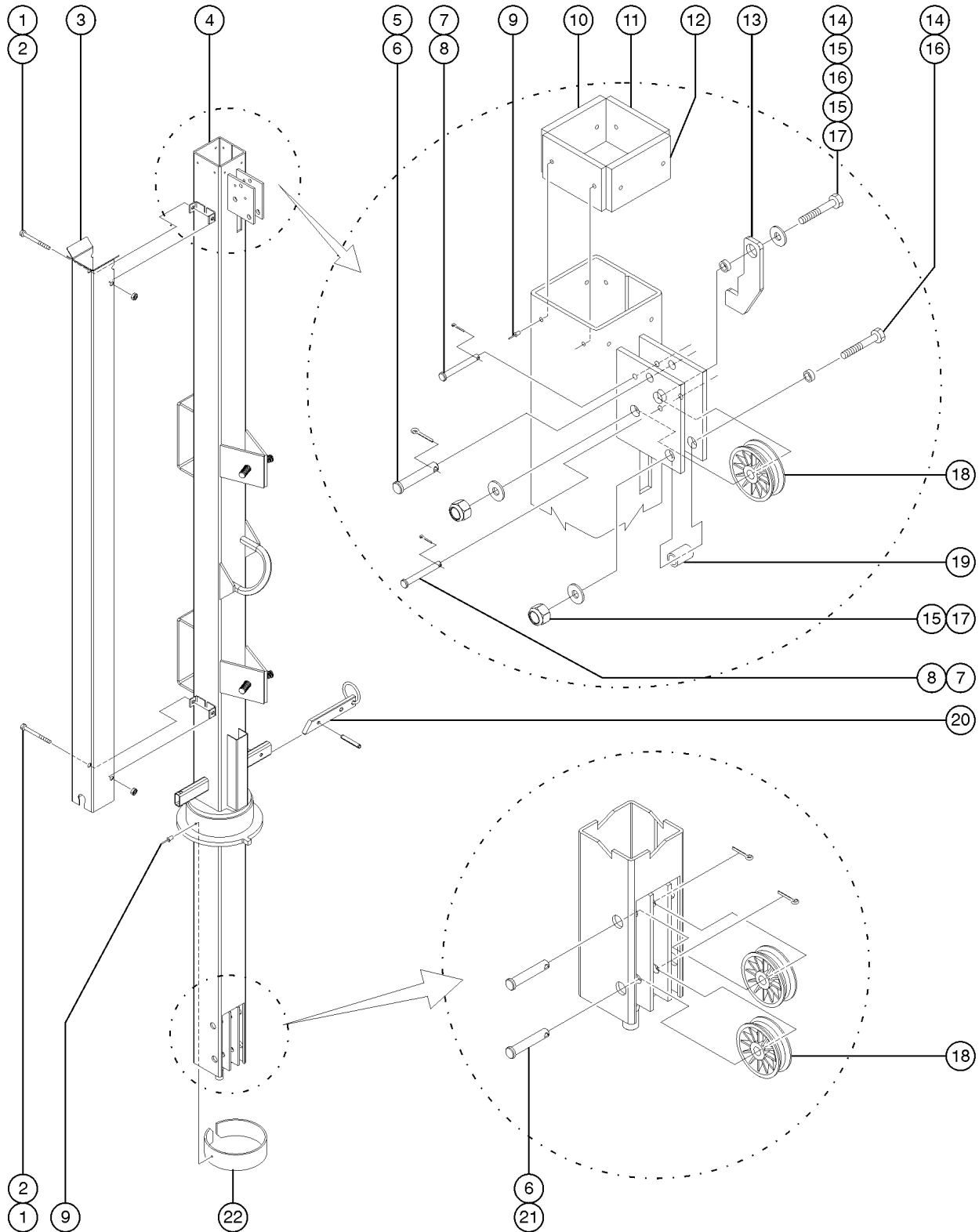
504.1 Round Tube Assembly, 6 Inch



504.1 Round Tube Assembly, 6 Inch

Item	Part No.	Description	Qty.
1	124530GT	AS-6" ROUND TUBE SECT.....1 <i>(decals not included; refer to section 1)</i>	1
--	974690GT	KIT:TOWER,30',6"ROUND TUBE.....1 <i>(includes items 2 and 5-11)</i>	1
2	990610GT	BOLT,TEE 1/2-20 X 4.5.....1	1
3		Ref. Mast Assy, 4" <i>(refer to 505.1)</i>	
4	179850GT	BUSHING 2.5ODX13/16.....1	1
5	995190GT	NUT,NYLOCK,1/2-20.....1	1
6	188760GT	SHEAVE 3-1/8 X15/16.....1	1
7	995790GT	CLEVIS PIN STAINLESSS.....1	1
8	994920GT	COTTER PIN 3/32X3/4 S.....1	1
9	992765GT	CLEVIS PIN STAINLESSS.....1	1
10	990650GT	COTTER PIN 1/8X1 SSBIN STOCK.....1	1
11	990620GT	NUT LOCK NYLON INSERT.....1	1

505.1 Mast Assembly, 4-inch

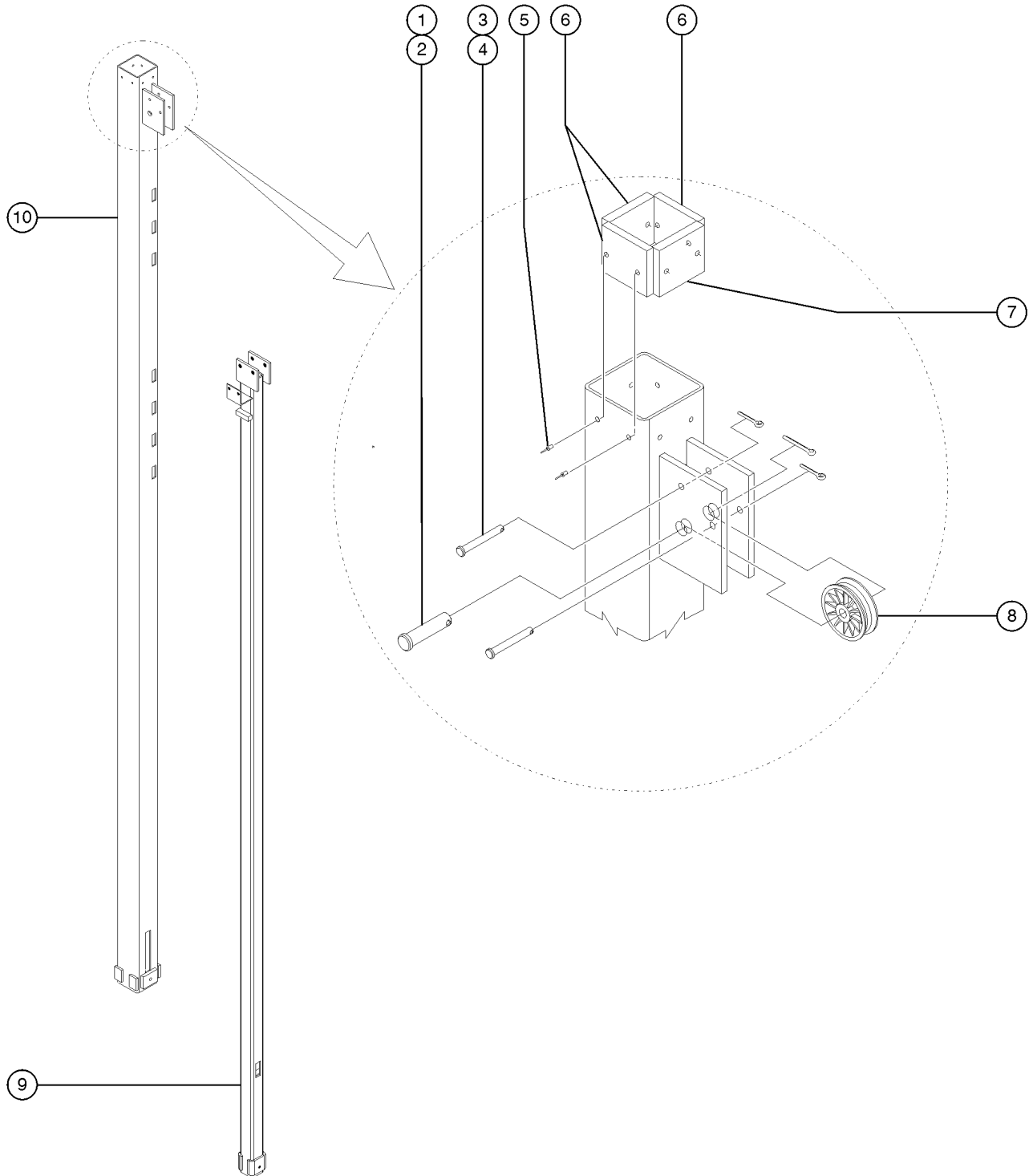




## 505.1 Mast Assembly, 4-inch

Item	Part No.	Description	Qty.
1	990160GT	SCREW,HHC,3/8-16 X 3.75.....	2
2	990170GT	NUT LOCK NYLON INSERT 3/8.....	2
3	113080GT	SLEEVE,COIL CORD,AL4,AL5.....	1
4	124540GT	4 SECTION 30'TOWER1-C..... (decals not included; refer to section 1)	1
5	995780GT	CLEVIS PIN STAINLESSS.....	1
6	990650GT	COTTER PIN 1/8X1 SSBIN STOCK.....	3
7	995790GT	CLEVIS PIN STAINLESSS.....	2
8	994920GT	COTTER PIN 3/32X3/4 S.....	2
9	990670GT	RIVET,POP,SS,3/16"X1/2" BLIND.....	10
10	235686GT	SHIM 3/16X2X3-3/16 PLASTIC.....	1
11	235684GT	SHIM 1/4X2X3-3/16 PLASTIC.....	2
12	235683GT	SHIM 5/16X2X3-3/16 PLASTIC.....	1
13	178335GT	FP-LOCK LEVER, AL SERIES.....	1
14	990190GT	SCREW,HHC,1/2-13 X 3.....	2
15	990210GT	WASHER FLAT 1/2ZP.....	3
16	683460GT	BUSHING, 3/4OD X 1/2ID ***** .....	2
17	990200GT	NUT,NYLOCK,1/2-13 GR2.....	2
18	188760GT	SHEAVE 3-1/8 X15/16.....	3
19	683450GT	BUSHING 11/16ODX1/2IDX1.032L.....	1
20		Ref. Lock Pin (refer to 502.1)	
21	992765GT	CLEVIS PIN STAINLESSS.....	2
22	177810GT	FP-SHIM 3/16X2X19-3/4 PLASTIC.....	1

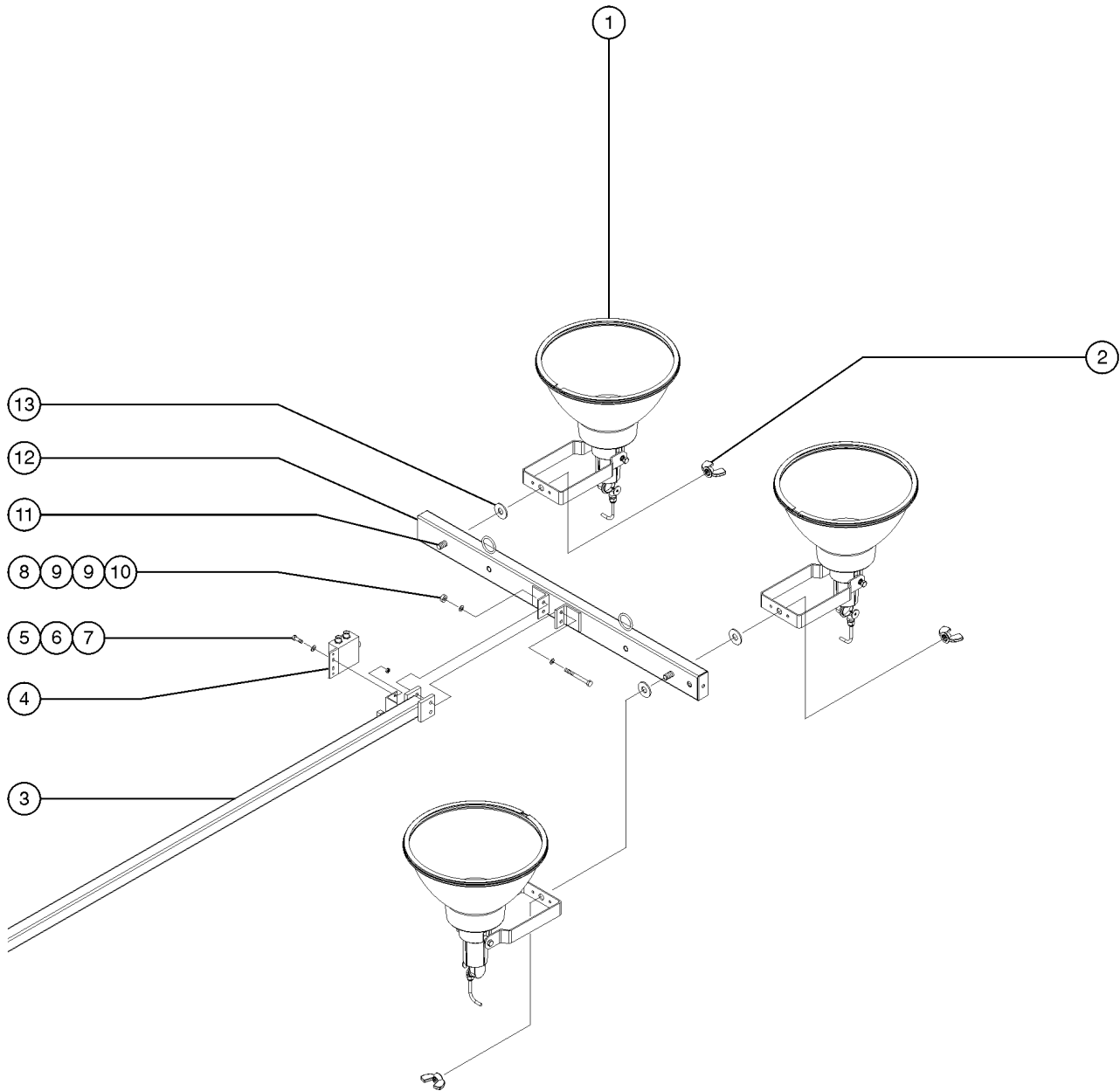
506.1 Mast Assembly, 2-inch and 3-inch



506.1 Mast Assembly, 2-inch and 3-inch

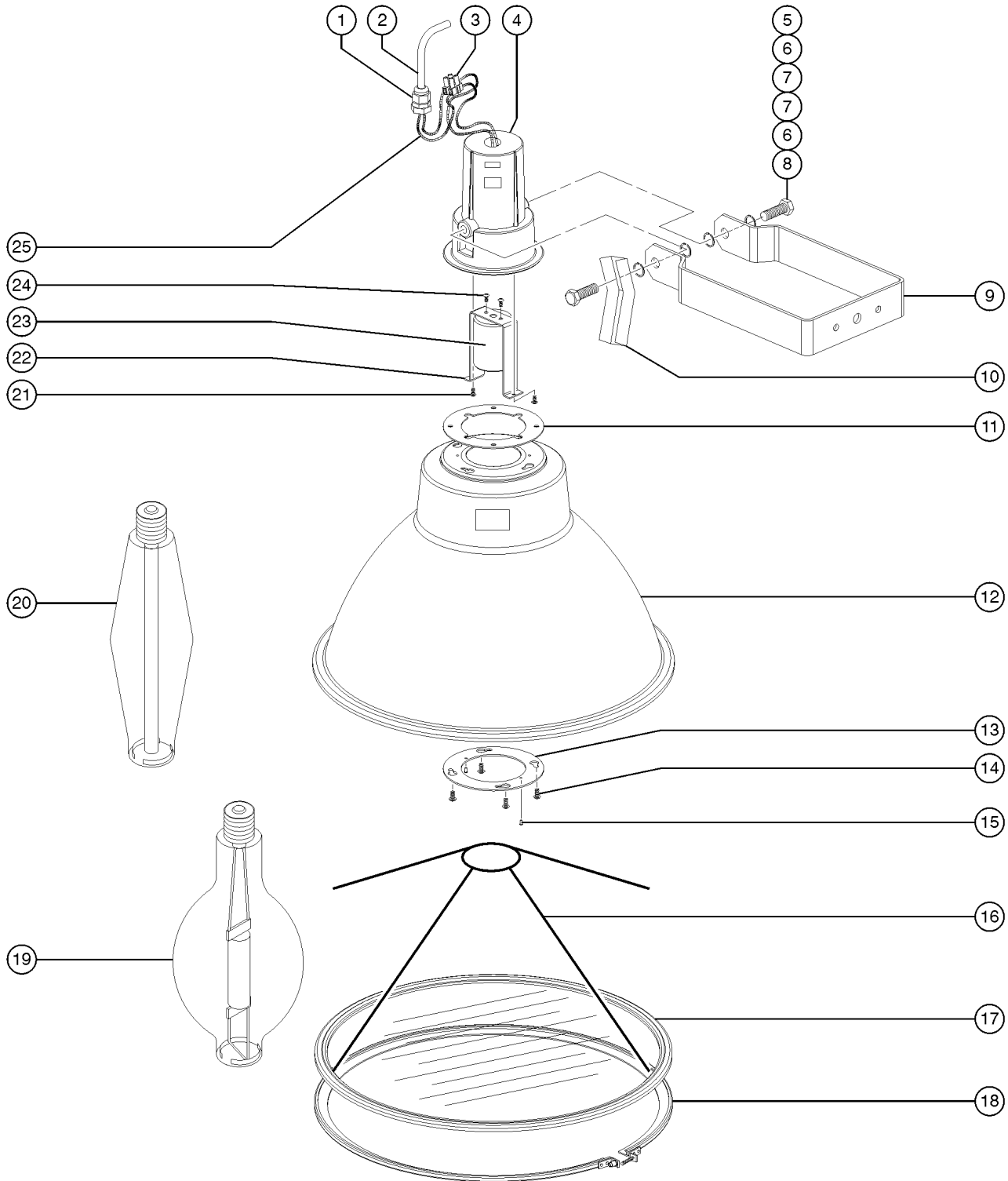
Item	Part No.	Description	Qty.
1	992765GT	CLEVIS PIN STAINLESSS.....	1
2	990650GT	COTTER PIN 1/8X1 SSBIN STOCK.....	1
3	995790GT	CLEVIS PIN STAINLESSS.....	2
4	994920GT	COTTER PIN 3/32X3/4 S.....	2
5	990670GT	RIVET,POP,SS,3/16"X1/2" BLIND.....	8
6	235685GT	SHIM 5/16X2X2-1/4 PLASTIC.....	3
7	235682GT	SHIM 3/8X2X2X2.25 PLASTIC.....	1
8	188760GT	SHEAVE 3-1/8 X15/16.....	1
9	124560GT	2" TOWER SECT,30'LG GALVANIZED....	1
10	124550GT	3 SECTION 30'TOWER AL4/AL5.....	1

507.1 Mast Crossarm



Item	Part No.	Description	Qty.
1		Ref. LIGHT ASSEMBLY.....4 (refer to 508.1 or 509.1)	
2	22123080GT	WING NUT, FIXTURE,RL4,AL4,AL5.....4	
3		Ref. 2 INCH MAST ASSEMBLY.....1 (refer to 506.1)	
4		Ref. JUNCTION BOX.....1 (refer to 405.1)	
5	6888GT	SCREW,HHC,1/4-20 X 1	
6	6638GT	WASHER,FLAT,USS,1/4"Y	
7	6091GT	NUT,NYLOCK,1/4-20	
8	990170GT	NUT LOCK NYLON INSERT 3/8.....4	
9	990080GT	WASHER FLAT 3/8USS ZPBIN.....8	
10	994460GT	SCREW,HHC,3/8-16 X 4.5 ZP.....4	
11	191781GT	CROSSARM STUD DRAWING 2851.....2	
12A	113040GT	CROSSARM,4 LIGHT,AL SERIES,GLV.....1	
12B	113050GT	AS-CROSSARM 6-LIGHT.....1	
13	990880GT	WASHER,LOCK,STAR 3/4 E.....4	

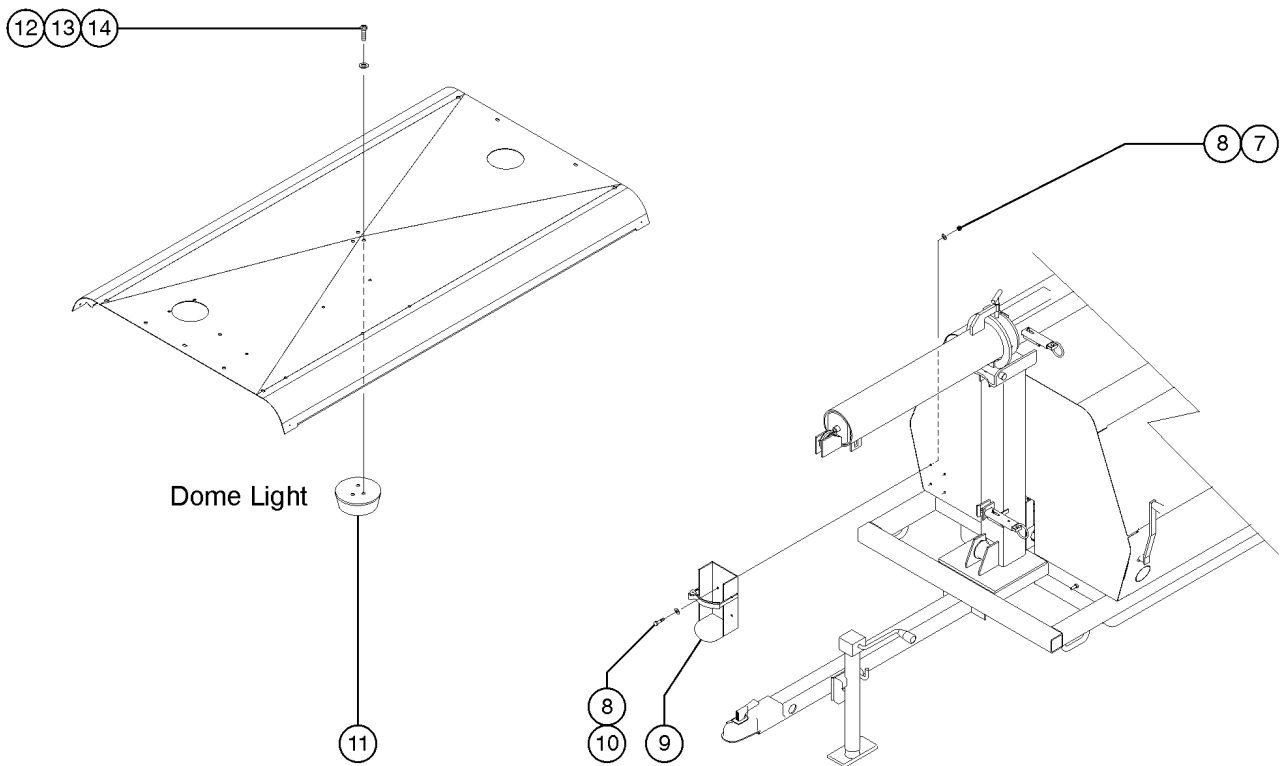
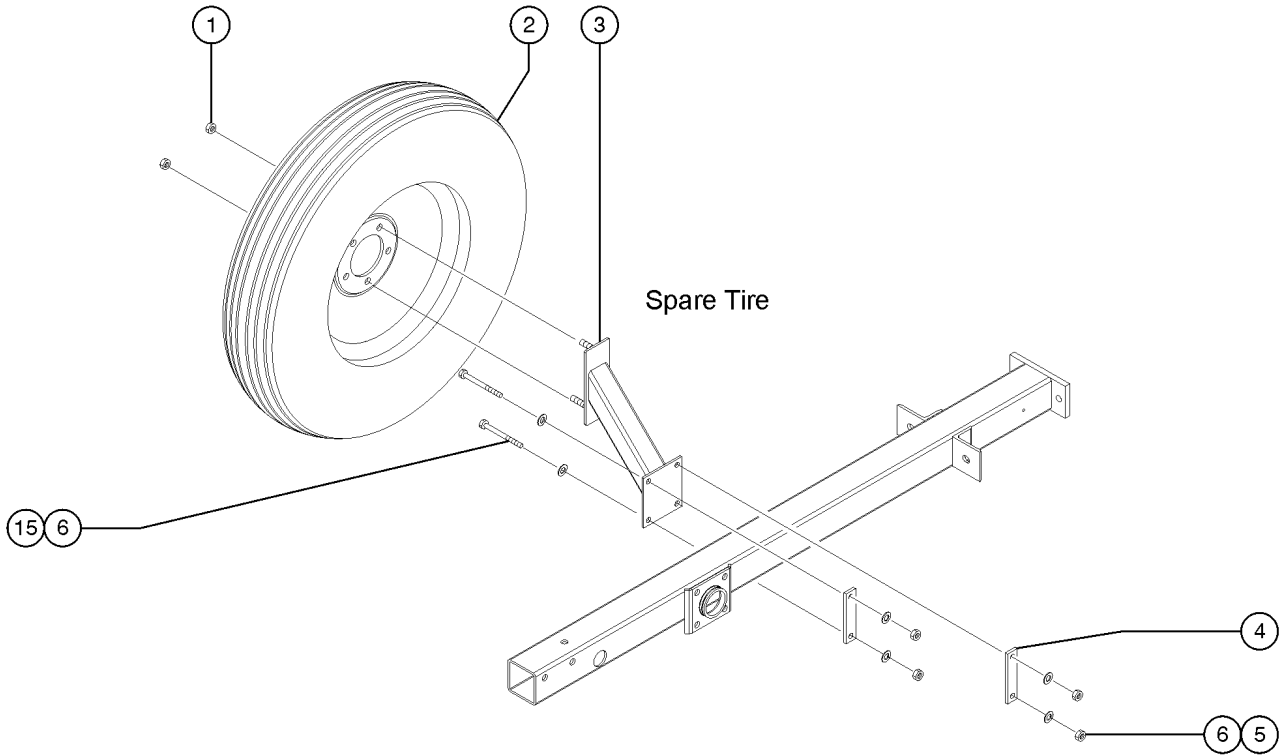
508.1 Light Assembly, Round



## 508.1 Light Assembly, Round

Item	Part No.	Description	Qty.
--	C41100720GT	LIGHT FIXTURE,MH,AL4,RL4,AL5 <i>Light Fixture, Complete</i>	
1	683950GT	GASKET,STRAIN RELIEF,1/2.....1	1
--	680020GT	LOCKNUT,CONDUIT,1/2 CSA APPVD....1	1
--	682470GT	CONN,STRAIN RELIEF,1/2 NPT.....1	1
2	663850GT	CORD SET MALE 5FT. 3P.....1	1
3	709034GT	TERMINAL STRIP,CE.....1	1
4	833567GT	CASTING,FIXTURE QUICK CONNECT.....1	1
5	990810GT	SCREW,HHC,1/2-13 X 1.5	
6	991650GT	WASHER LOCK 1/2ZP	
7	995970GT	WASHER LOCK STAR 1/2E	
8	981640GT	SCREW,HHC,1/2-13 X 1.25	
9	833566GT	BRKT,TRUNION.....1	1
10	833573GT	T-HANDLE.....1	1
11	833569GT	GASKET, HOUSING REFLECTOR BASE.....1	1
12	833547GT	REFLECTOR & LENS ASSY STD FIX....1 <i>includes items 13-18</i>	1
--	833568GT	REFLECTOR (C41100720).....1	1
13	833570GT	RING,REINFORCING (C41100720).....1	1
14	833571GT	SCREW,PHM,10-24 X 5/8	
15	990675GT	RIVET POP 1/8X.390 GR	
16	22120102GT	SPIDER, MH/HPS.....1	1
17	833524GT	LENS W/GASKET (C41100720).....1	1
--	C2450108GT	LENS GASKET FOR LIGHT FIXTURE...1	1
18	833543GT	CLAMP,LENS (C41100720).....1	1
--	833574GT	SCREW,HH SLOT,8-32X1	
--	833578GT	NUTSERT,8-32 (833543)	
--	833581GT	WASHER,CLAMP,RUBBER(833543)	
19	160071GT	LAMP MH 1000W M1000/U SYL.....1	1
20	160140GT	LAMP HPS 1000W LU1000CSA APPVD.....1	1
21	833565GT	SCREW,PHM,8-32X3/8	
22	833563GT	BRKT,SOCKET MOGUL FO.....1	1
23	833564GT	SOCKET BASE-MOGUL.....1	1
24	833577GT	SCREW,RHM,6-32X5/8	
25	833582GT	SLEEVE,WIRE,FIBERGLASS.....1	1

601.1 Chassis Options

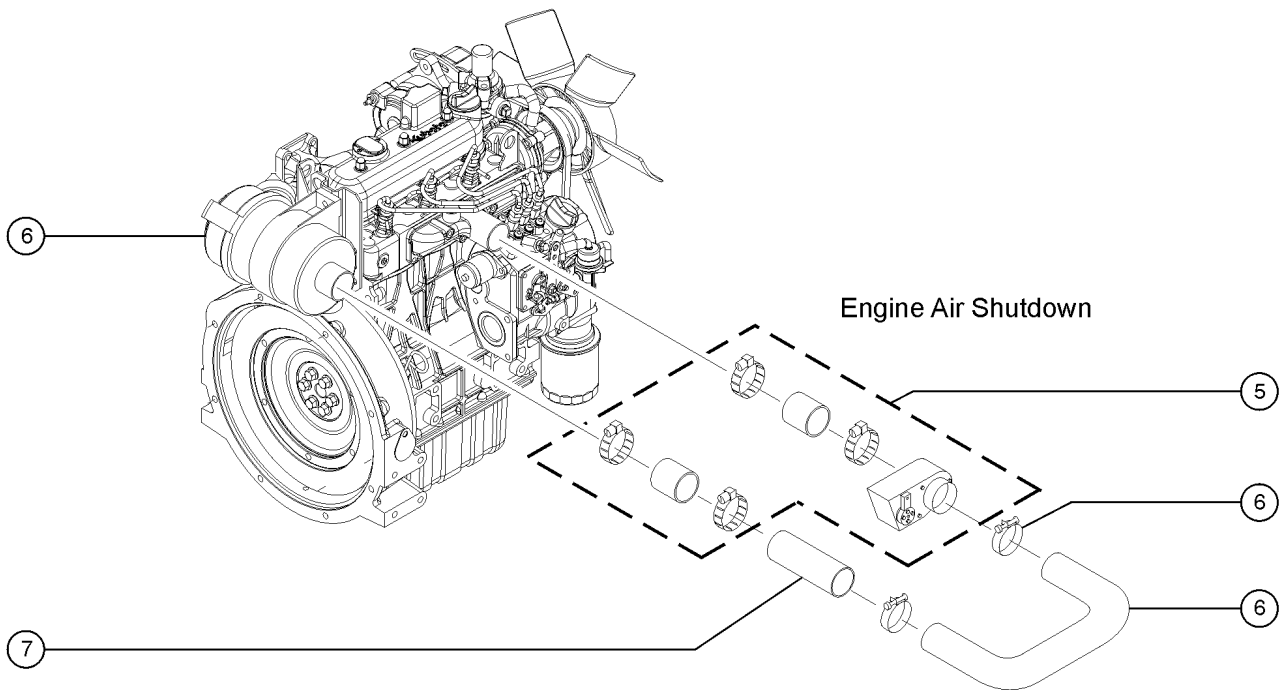
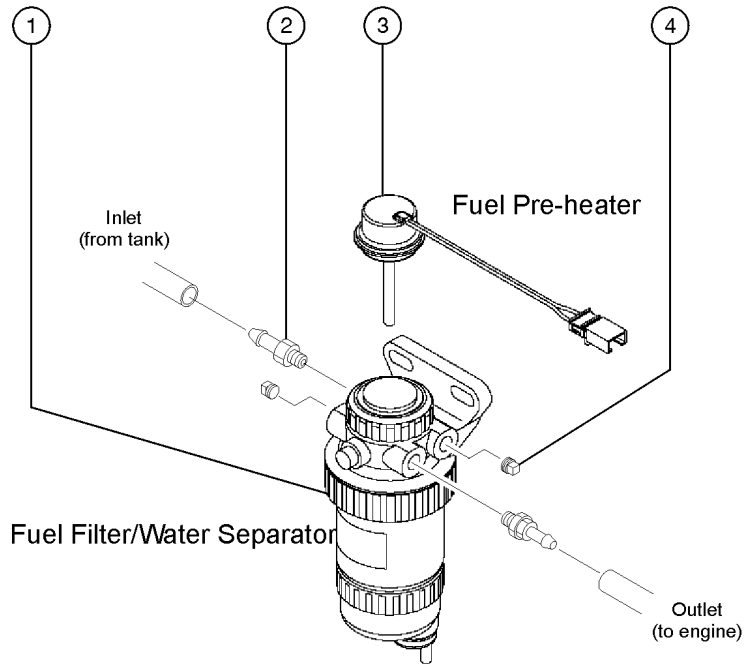




## 601.1 Chassis Options

Item	Part No.	Description	Qty.
1	840376GT	NUT,WHEEL, 1/2 X 20.....	2
2		Ref. Tire (refer to 205.1)	
3	124310GT	SPARE TIRE MT,5 LUG WHEEL.....	1
4	188070GT	FP-CLAMP,SPARE TIRE BRACKET.....	2
5	990170GT	NUT LOCK NYLON INSERT 3/8.....	4
6	990080GT	WASHER FLAT 3/8USS ZPBIN.....	8
7	991940GT	NUT,NYLOCK,5/16-18.....	4
8	981065GT	WASHER FLAT 5/16ZP SAE/BIN.....	8
9	217719GT	BRACKET FIRE EXT 20LB AL5.....	1
10	123840GT	SCREW,HHC,5/16-18X.75,GR8,Y.....	4
11	684030GT	LIGHT,DOME, 12V DC.....	1
12	993711GT	SCREW #10-24NCX1/2RD.....	3
13	995755GT	WASHER FLAT BONDED3/1.....	3
14	6-6286-04GT	NUT.....	3
15	994460GT	SCREW,HHC,3/8-16 X 4.5 ZP.....	4

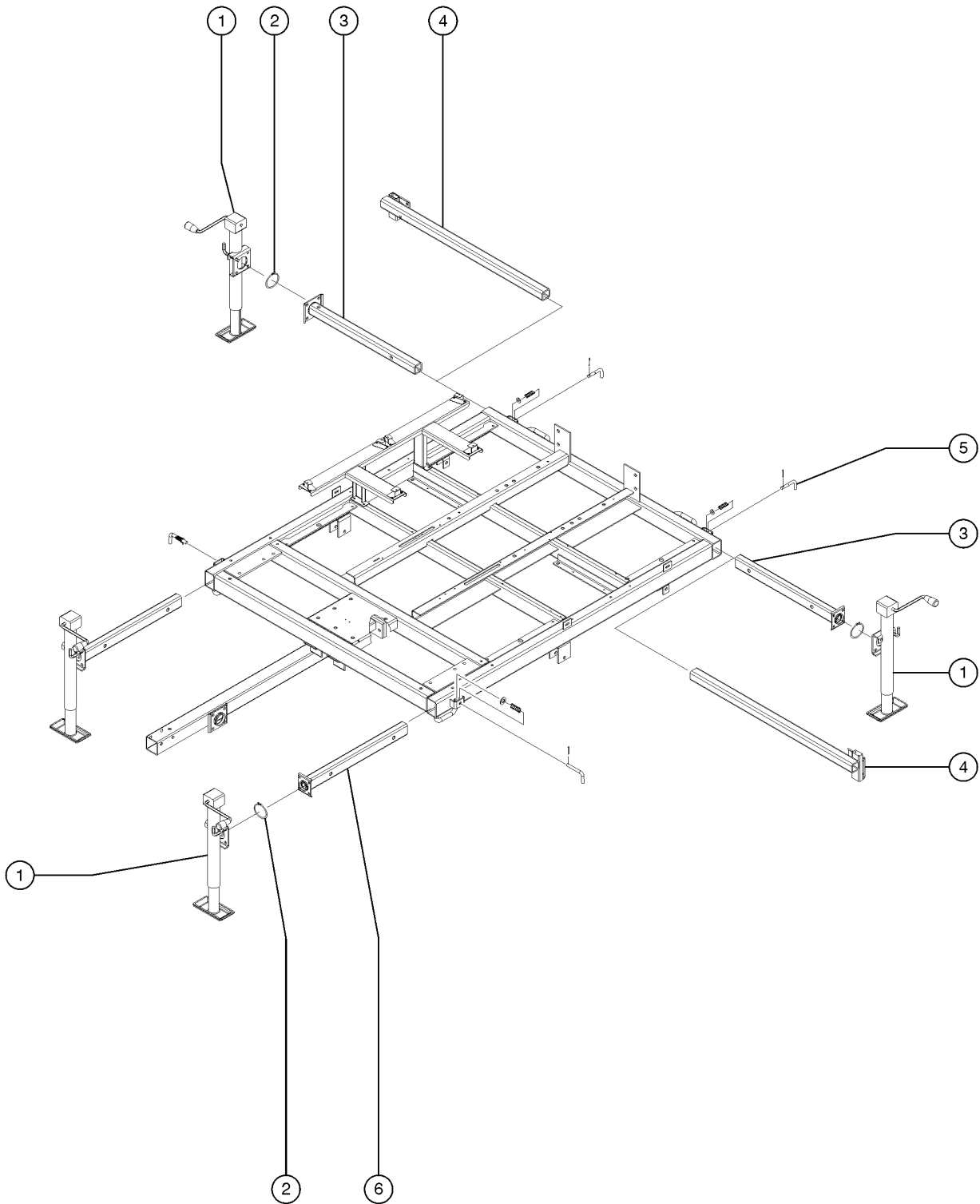
602.1 Engine Options



## 602.1 Engine Options

Item	Part No.	Description	Qty.
1	116154GT	AY,DSL FUEL/WATER SEPARATOR.....1	
--	116148GT	GASKET,FUEL FILTER for 116151GT	
--	116151GT	FILTER,30 MICRON FUEL-WATER	
--	116152GT	GASKET,WATER COLLECTOR for 116153GT	
--	116153GT	WATER COLLECTOR AY	
--	116211GT	WASHER,RUBBER SEAL for 116212GT	
--	116212GT	VALVE,PLASTIC DRAIN	
1A	981120GT	WASHER FLAT 3/8 ZP SAE BIN.....4	
1A	990170GT	NUT LOCK NYLON INSERT 3/8.....2	
1A	990470GT	WASHER LOCK 3/8ZP.....2	
1A	991761GT	SCREW,HHC,3/8-16 X 1.25.....2	
2	898590GT	HOSE FITTING PIPE/BAR.....2	
3	116144GT	HEATER, TOPLOAD FUEL, 100W/12V...1	
--	116145GT	GASKET, FUEL HEATER	
--	116587GT	FUSE,ATC BLADE,10A	
--	116588GT	FUSE HOLDER,ATC BLADE,#16	
4	894230GT	PIPE PLUG 1/4 GALV.....2	
5	228651GT	RODA DACO MANUAL SHUTDOWN.....1	
6		Ref., ENGINE AIR COMPONENTS (refer to 304.1, 305.1, 308.1 or 308.2)	
7	228653GT	INTAKE FILTER SIDE MANUAL AIR.....1	

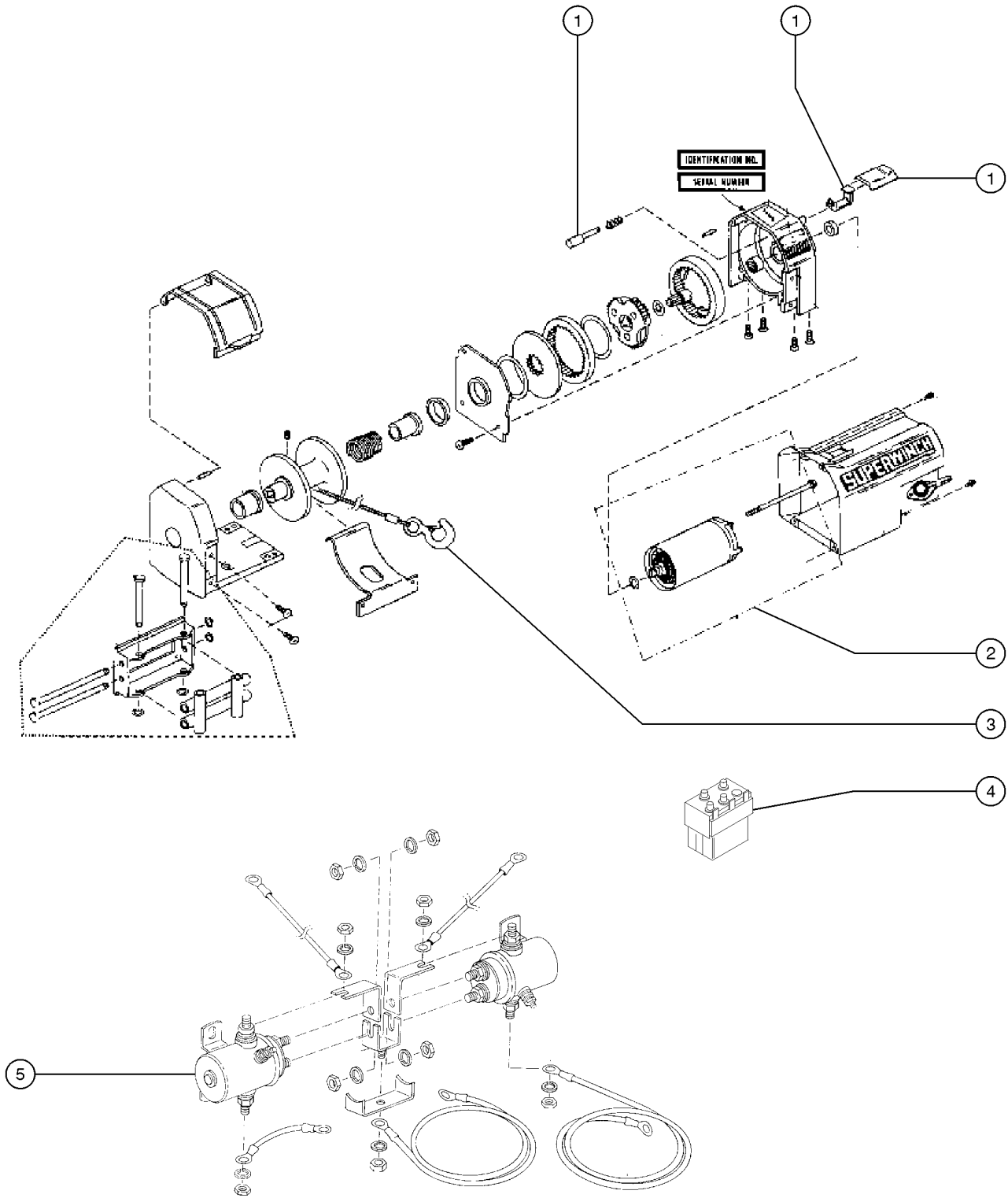
603.1 Outrigger Options



## 603.1 Outrigger Options

Item	Part No.	Description	Qty.
1A	841430GT	JACK,MECHANICAL,3000LB.....4-EA <i>(models with front outriggers) (qty 4 per unit)</i>	
1B	841430GT	JACK,MECHANICAL,3000LB.....2-EA <i>(models without front outriggers) (qty 2 per unit)</i>	
2A	840222GT	SNAP RING,JACK (841430).....4-EA <i>(models with front outriggers) (qty 4 per unit)</i>	
2B	840222GT	SNAP RING,JACK (841430).....2-EA <i>(models without front outriggers) (qty 2 per unit)</i>	
3	114612GT	OUTRIGGER,3X2X32.5,GALVANIZED.2-EA <i>(models with steel fenders)</i>	
4	114613GT	OUTRIGGER 3X2X33REARAL5000.....2-EA <i>(models with plastic fenders)</i>	
5A	790965GT	PIN,PLUNGER,OUTRIGGER, KIT....4-EA <i>(models with front outriggers) (qty 4 per unit)</i>	
5B	790965GT	PIN,PLUNGER,OUTRIGGER, KIT....2-EA <i>(models without front outriggers) (qty 2 per unit)</i>	
6	114612GT	OUTRIGGER,3X2X32.5,GALVANIZED.2-EA <i>(models with front outriggers)</i>	

604.1 Electric Winch



Item	Part No.	Description	Qty.
--		WINCH W/SOLENOIDS 4000LB <i>(available soon)</i>	
1	219228GT	FREEWHEEL KIT,SUPERWINCH.....1	1
2	219224GT	12V MOTOR ASSY,SUPERWINCH.....1	1
3		WIRE ROPE ASSY,SUPERWINCH (219226).....1 <i>component no longer available</i>	1
4	160750GT	SOLENOID W/BRACKET SUPERWINCH.....1	1
5		REMOTE CNTRL,SUPERWINCH (219227).....1 <i>component no longer available</i>	1
6	219225GT	12V WIRED SOLENOID,SUPERWINCH.....2	2

# Part Number Index

The Part Number Index is a numeric index of all part numbers included in this manual. The index shows what page(s) the part is used on.

Part Number	Page	Part Number	Page	Part Number	Page	Part Number	Page
101208GT	35	116514GT	43	184150GT	29	227316GT	69
101209GT	35	116523GT	33, 35	184510GT	75	227317GT	67
109330GT	55	116532GT	29	184840GT	15	227318GT	65
109485GT	77	116587GT	91	18507GT	53	227319GT	67
109486GT	77	116588GT	91	185370GT	63	227320GT	69
110523GT	33, 43	116632GT	65	185382GT	63	227336GT	53
112300GT	29	116724GT	65	185390GT	63	227631GT	67
113040GT	85	116729GT	61	185405GT	63	227632GT	65
113050GT	85	116733GT	33	18542GT	65, 67, 69	227633GT	67
113080GT	81	116770GT	71	186280GT	29	227634GT	69
113362GT	75	116780GT	65	186285GT	29	227635GT	65
113390GT	29	116794GT	69	186360GT	75	227636GT	69
113400GT	55	116815GT	65, 67, 69, 71	186733GT	63	227638GT	67
114355GT	25	116820GT	65, 67, 69, 71	186788GT	63	227639GT	65, 69
114448GT	13	116821GT	47, 71	186801GT	63	227640GT	69
114612GT	15, 93	116833GT	35	187988GT	49, 51	227641GT	67
114613GT	15, 93	116936GT	23	188070GT	89	227643GT	65
114715GT	15	116937GT	23	188735GT	31	227644GT	69
114720GT	17	119668GT	19	188760GT	79, 81, 83	227645GT	65
114895GT	25	12012GT	77	188775GT	31	227652GT	65
115530GT	29	122079GT	23	188785GT	31	227653GT	67
116068GT	31	123461GT	23	189293GT	49, 53	227654GT	69
116118GT	55	123490GT	27	189335GT	55, 59	228092GT	21
116125GT	49	123680GT	29	189347GT	57	228093GT	21
116129GT	45	123840GT	57, 61, 89	189390GT	63	22832GT	77
116130GT	45	124192GT	27	189785GT	17	228461GT	21
116131GT	45	124310GT	89	189790GT	17	228651GT	91
116132GT	45, 53	124420GT	29	189795GT	29	228653GT	91
116133GT	47	124450GT	23	189842GT	27	229457GT	57
116144GT	91	124470GT	15	189851GT	27	230056GT	71
116145GT	91	124490GT	75	189861GT	27	230560GT	21
116148GT	91	124530GT	79	189862GT	27	230561GT	21
116151GT	47, 91	124540GT	81	189871GT	27	230562GT	21
116152GT	91	124550GT	83	189872GT	27	230563GT	21
116153GT	91	124560GT	83	189920GT	27	230565GT	21
116154GT	47, 91	124855GT	77	190150GT	35	230566GT	21
116167GT	57	124856GT	77	190570GT	73	230567GT	21
116168GT	57	124857GT	77	191781GT	85	230568GT	21
116169GT	57	124858GT	77	193750GT	75	230569GT	21
116172GT	57	124860GT	77	211410GT	23	230570GT	21
116174GT	57	125260GT	27	213770GT	23	230571GT	21
116176GT	57	125395GT	35	215348GT	19	230573GT	21
116177GT	57	1254824GT	33	215711GT	51	230575GT	21
116178GT	57	1256083GT	77	215712GT	49, 51	230577GT	21
116179GT	57	125641GT	19	215719GT	51	230579GT	21
116182GT	57	133001GT	11, 13	215722GT	51	230580GT	21
116183GT	57	133225GT	11	216631GT	15	231332GT	39
116184GT	57	13854GT	23	216632GT	15	231333GT	39
116187GT	57	139278GT	35	216633GT	15	234842GT	35
116188GT	57	139279GT	35	216634GT	15	235385GT	51
116211GT	91	147123GT	21	217719GT	89	235682GT	83
116212GT	91	15086GT	73	219224GT	95	235683GT	81
116213GT	41	160030GT	25	219225GT	95	235684GT	81
116253GT	57	160032GT	25	219228GT	95	235685GT	83
116279GT	55	160040GT	25	22109517GT	75	235686GT	81
116289PPGT	41	160042GT	25	22110700GT	73	237686GT	29
116292GT	41	160071GT	87	22111936GT	15	27034GT	51
116296GT	41	160140GT	87	22112555GT	71	30973GT	51
116297GT	41	160750GT	95	22112575GT	71	31946GT	77
116298GT	41	161050GT	61	22114420GT	75, 77	32069GT	35
116309GT	41	161180GT	25	22120102GT	87	32103GT	37
116314GT	43	161181GT	25	22123080GT	85	32185GT	33, 35, 43, 45, 47
116322GT	65	161184GT	25	22124015GT	33	32191GT	35
116413GT	41	161185GT	25	22124016GT	33	32890GT	77
116414GT	41	162280GT	17	22124025GT	33	33265GT	23
116418GT	41	173115GT	75	221580GT	23	35729GT	17
116421GT	27	174170GT	29	22586GT	53	415912GT	49
116423GT	27	176335GT	23	22700GT	49, 51, 53	440467GT	45
116498GT	41	176370GT	29	227147GT	63	44191GT	35
116502GT	41	176380GT	29	227310GT	67	44196GT	37
116503GT	51	177810GT	81	227311GT	69	44197GT	37
116509GT	43	178335GT	81	227312GT	67	44198GT	37
116511GT	41	179850GT	79	227313GT	69	47363GT	65, 67, 69
116512GT	41	182330GT	29	227314GT	65	4828GT	17, 29
116513GT	43	183731GT	23	227315GT	67	49779GT	65, 67, 69



Part Number	Page	Part Number	Page	Part Number	Page	Part Number	Page
51131GT	23	740050-2GT	77	839034GT	35	866128GT	39
52265GT	21	740620GT	17, 19	839049GT	39	866129GT	39
52531GT	35	740920-50GT	59	839103GT	35, 37	866394GT	33, 35
52532GT	35	740920GT	49, 51, 55, 57, 61	839107GT	37, 43	866803GT	35
52533GT	35	741140GT	37, 43	839109GT	33	866825GT	35
55906GT	65, 67, 69	741701GT	17, 19	839110GT	33	868011GT	45
57332GT	23	741715GT	17, 19	839119GT	37	868036GT	45
57587GT	29	741970GT	41	839134GT	35	868067GT	49
58486GT	53	741976GT	45	839149GT	37	868069GT	45
6-5204-16GT	75	742280GT	45	839151GT	35	868070GT	45
6-5208-32GT	57	742369GT	69	839154GT	35, 43	868075GT	45
6-5208-44GT	23	75144GT	15, 29	839157GT	37	868076GT	49
6-6212-08GT	61	7584GT	77	839190GT	35, 41	868077GT	49
6-6286-04GT	89	7590GT	77	839200GT	43	868082GT	45
6-9111-10GT	41	7591GT	77	839209GT	35, 41	868086GT	45
6024GT	23	78390GT	23	839244GT	35	868112GT	45, 47
6034GT	77	790540GT	29	839246GT	35	868113GT	45, 47
6035GT	23	790710GT	75	839261GT	35, 41	868143GT	49
6090GT	29	790930GT	15	840222GT	15, 93	868150GT	45
6091GT	15, 29, 53, 85	790940GT	29	840376GT	21, 89	868156GT	49
6095GT	15, 23, 29	790965GT	93	840377GT	21	890785GT	17, 19
6096GT	15	791600GT	41	840392GT	15	890790GT	17, 19, 33
6097GT	17, 29	791610GT	41, 49, 51	84042GT	35	890795GT	17, 19, 37, 43
6175GT	29	792750GT	17, 19, 43, 45	841061GT	15	891190GT	17
6184GT	77	793490GT	15	841200GT	23	891520GT	17, 19
6198GT	15, 55, 57, 59, 61, 77	794890GT	31	841220GT	23	891530GT	17, 19
6199GT	77	796432GT	29	841430GT	93	891560GT	17, 19
6200GT	77	796438GT	29	841473GT	15	89163GT	23
62118GT	37	796513GT	29	841500GT	23	893020GT	41
62296GT	35	800004GT	71	841611GT	27	894230GT	91
6291GT	77	80379GT	33, 41	850090GT	11	895371GT	19
6356GT	53	823384GT	35	850091GT	11	897110GT	35, 41, 45
6357GT	33, 41	824820GT	61	850092GT	11	898590GT	17, 19, 37, 91
660101GT	71	824879GT	65, 67, 69	850093GT	11	930950GT	27
660320GT	17, 19	826917GT	71	850105GT	11	940000GT	23
663400GT	71	830001GT	59	850107GT	11	971290GT	75
663401GT	71	832128GT	35, 41, 49	850130GT	13	972895GT	27
663420GT	71	833524GT	87	850155GT	11	973030GT	63
663430GT	71	833543GT	87	851310GT	11	973085GT	71
663515GT	71	833547GT	87	851545GT	11	973390GT	43
663520GT	29	833563GT	87	851550GT	11	974640GT	29
66352GT	29	833564GT	87	851640GT	11	974686GT	29
663527GT	29	833565GT	87	851790GT	11	974690GT	79
663528GT	29	833566GT	87	851820GT	11	974803GT	47
663840GT	29	833567GT	87	851830GT	11	974813GT	29
663850GT	87	833568GT	87	851860GT	11	975150GT	69
663860GT	25	833569GT	87	852410GT	11	975151GT	69
663870GT	71	833570GT	87	852570GT	13	975907GT	35
663890GT	65, 67, 69	833571GT	87	852800GT	13	980340GT	75
6638GT	85	833573GT	87	853070GT	11	980480GT	77
669086GT	69	833574GT	87	853280GT	11	981065GT	89
6732GT	61	833577GT	87	853640GT	11	981120GT	31, 61, 91
6777GT	77	833578GT	87	853670GT	11	981575GT	75
680020GT	87	833581GT	87	865055GT	35	981640GT	87
680030GT	29, 31, 65, 67, 69	833582GT	87	865079GT	35, 41	981920GT	75
680080GT	71	834211GT	15	865085GT	33	990080GT	19, 25, 27, 41, 51, 75, 85, 89
680190GT	71	834226GT	21	865086GT	33	990150GT	15, 27, 29, 31, 75
680250GT	29, 31, 65, 67, 69	834228GT	21	865100GT	37	990160GT	27, 81
682470GT	87	834246GT	15	865257GT	37	990170GT	19, 25, 27, 31, 81, 85, 89, 91
682660GT	29	834250GT	21	865260GT	33	990181GT	73
683450GT	81	834255GT	21	865261GT	33	990190GT	41, 81
683460GT	81	834267GT	15	865263GT	33	990200GT	23, 27, 33, 41, 49, 51, 75, 81
683950GT	87	834458GT	49, 51	865276GT	35	990210GT	23, 33, 49, 51, 55, 57, 59, 81
684030GT	89	834460GT	49	865307GT	33, 43	990220GT	59
684380GT	65, 67, 69	836420GT	59	865435GT	35	990230GT	17
684450GT	65, 67, 69	836427GT	59	866030GT	37	990270GT	27, 49, 51
684640GT	65, 67, 69	836831GT	55	866040GT	37, 43	990340GT	27, 29, 51
686160GT	65, 67, 69	836832GT	55	866050GT	37	990400GT	51
686220GT	65, 67, 69	836833GT	55	866081GT	35	990410GT	41, 49, 51, 55, 59, 61
6888GT	85	836840GT	55	866090GT	35, 41	990415GT	33, 57
69209GT	77	836842GT	55	866101GT	35, 41	990450GT	15, 31
709034GT	87	836853GT	57	866110GT	33		
720220GT	29	836856GT	57	866113GT	33		
720401GT	15	836857GT	55	866120GT	33		
732205PPGT	33	839011GT	35	866126GT	39		
740050-1GT	77	839027GT	35, 41	866127GT	39		

## Part Number Index (continued)

Part Number	Page	Part Number	Page	Part Number	Page
990460GT	15, 35, 57, 61	R661490GT	65, 67, 69	T113984GT	51
990470GT	57, 61, 73, 75, 91	R850475GT	11	T113985GT	51
990610GT	79	R890065GT	17	T113987GT	49, 51
990620GT	79	R980000GT	55	T113989GT	49, 51
990650GT	73, 75, 77, 79, 81, 83	R980245GT	31	T114066GT	63
990660GT	75	T106193GT	65, 67, 69	T114068GT	63
990670GT	27, 29, 81, 83	T108775GT	15		
990675GT	87	T109127GT	23		
990770GT	75	T109129GT	23		
990810GT	87	T109325GT	71		
990820GT	55, 59	T110064GT	53		
990880GT	85	T110446GT	49, 51		
991650GT	15, 23, 27, 29, 33, 87	T110447GT	51		
991690GT	15	T110451GT	61		
991761GT	57, 61, 91	T110453GT	47		
991940GT	89	T110455GT	53		
991945GT	51	T110456GT	61		
99199GT	37, 43	T110632GT	23		
992120GT	51	T110701GT	69		
992310GT	19	T111617GT	47		
992765GT	79, 81, 83	T111619GT	47		
993240GT	15	T111622GT	47		
993421GT	29	T111624GT	49		
993440GT	15, 27	T111625GT	51		
993510GT	55	T111627GT	61		
993711GT	89	T111628GT	61		
993835GT	23	T111700GT	61		
993850GT	27, 29	T111701GT	51		
993860GT	27	T112123GT	27		
993890GT	23	T112134GT	27		
994000GT	75	T113282GT	59		
994130GT	15, 29	T113584GT	61		
994200GT	23	T113586GT	61		
994380GT	71	T113587GT	61		
994420GT	65, 67, 69	T113641GT	65, 67, 69		
994460GT	85, 89	T113642GT	65, 67, 69		
994600GT	15, 27, 29	T113643GT	65, 67, 69		
994630GT	23	T113644GT	65, 67, 69		
994830GT	33, 51	T113669GT	53		
994920GT	79, 81, 83	T113670GT	53		
995050GT	29, 75	T113671GT	53		
995110GT	33, 41	T113672GT	53		
995190GT	79	T113673GT	53		
995300GT	65, 67, 69	T113688GT	53		
995310GT	15, 23	T113755GT	51		
995380GT	33	T113756GT	47		
995420GT	29, 75	T113757GT	47		
995490GT	25, 55	T113758GT	51		
995755GT	89	T113759GT	51		
995760GT	75	T113760GT	51		
995780GT	73, 81	T113761GT	51		
995790GT	79, 81, 83	T113762GT	51		
995810GT	17, 19, 27, 29, 31, 43	T113763GT	51		
995970GT	87	T113764GT	51		
996030GT	23	T113765GT	51		
996230GT	73	T113766GT	47		
996330GT	35	T113767GT	47		
996375GT	17	T113769GT	51		
996380GT	31	T113770GT	47		
998120GT	57	T113771GT	47		
C21353GT	31	T113772GT	47		
C2450108GT	87	T113774GT	51		
C33304202GT	45	T113775GT	47		
C41100720GT	87	T113776GT	51		
C42300100GT	45	T113777GT	47		
C48300108GT	71	T113779GT	51		
C51200307GT	31	T113780GT	47		
C51200308GT	31	T113781GT	51		
C51601442GT	33	T113782GT	51		
C73863GT	31	T113783GT	49, 51		
CSE350GT	61	T113784GT	49, 51		
GUU401100GT	31	T113786GT	51		
R660010GT	67, 69	T113805GT	63		
		T113972GT	53		
		T113974GT	49, 53		
		T113975GT	53		

The Part Description Index is an alphabetical index of all part descriptions included in this manual. The index shows what page(s) the part is used on.

\*

\*\*COUPLER SURGE 2" BALL,6000#.....23

**1**

1/4-20 X .75 LG.FLG.LCK.SCREW.....53  
12V MOTOR ASSY,SUPERWINCH.....95  
12V WIRED SOLENOID,SUPERWINCH.....95

**2**

2" TOWER SECT,30'LG GALVANIZED.....83

**3**

3 SECTION 30'TOWER AL4/AL5.....83

**4**

4 SECTION 30'TOWER1-C.....81

**A**

ADJUSTER SCREW ASSY, ALXL.....21  
ADJUSTER SPRING,E BRAKE,ALXL.....21  
ADJUSTER SPRING,H BRAKE,ALXL.....21  
AIR CLEANER BRACKET, D1105.....39  
AIR CLEANER COVER.....41  
AIR CLEANER VALVE.....41  
AIR CLEANER, ISUZU 4LE2.....51  
AIR CLEANER,DONALDSON G042544.....41  
AIR CLNR MNT DONALDSON P777151.....41  
AIR FILTER ASSY,DONALDSON.....49, 51  
ALTERNATOR, 65A,ISUZU 4LE1.....49  
ALTERNATOR, ISUZU 4LE2.....51  
ALTERNATOR,KUBOTA\*.....35, 41  
AS-6" ROUND TUBE SECT.....79  
AS-CROSSARM 6-LIGHT.....85  
AS-MUFFLER SPACER 2.75.....49  
AS-RING HITCH FOR ADJ HT.....23  
AS-RING HITCH MOUNT.....23  
ASSY, INJECTION PUMP,ISUZU 4LE.....47  
ASSY, WATER PUMP, ISUZU 4LE2.....51  
ASY,CABINET FRONT,AL5 EXT PWR.....27  
ASY,CABINET FRONT,AL5 NO PWR.....27  
ASY,ENGINE TAILPIPE.....41  
AXLE ASSY,3500LB,IDLE,AL5,7,8.....21  
AXLE W/ELECTRIC BRAKES.....21  
AXLE W/HYD SURGE BRK/BALL AL5.....21  
AXLE W/HYD SURGE BRK/RING AL5.....21  
AY,DSL FUEL/WATER SEPARATOR.....47, 91

**B**

BALL, 2" ZINC.....23  
BALLAST ASSY,60HZ,HPS,1000W.....25  
BALLAST ASSY,60HZ,MH,1KW,120V.....25  
BALLAST HPS 60HZ 120V.....25  
BALLAST/CAP MH60Hz120.....25  
BAND, AIR FILTER MOUNTING, ISU.....51  
BATTERY.....29  
BATTERY SUPPORT PAN.....29  
BEARING.....55  
BEARING, MARATHON GEN.....61  
BEARING, ODE.....57  
BEARING,ALXL,840377,841050.....21  
BEARING,BRKT,ODE(5412).....57  
BELT, FAN, ISUZU 4LE2.....51

BODY,AIR CLEANER,KUBOTA.....39  
BOLT,AXLE,3/16X3 W/7/16-20STEP.....15  
BOLT,CARRIAGE 3/8-16X.75 Z KEG.....31  
BOLT,EXHAUST MANIFLD,ISUZU 4LE.....49, 51  
BOLT,TEE 1/2-20 X 4.5.....79  
BOX EXT POWERACCESS.....31  
BOX,CONNECTOR,BASE.....57  
BOX,JUNC,LIGHT TWR,4 CONN.....71  
BRACKET FIRE EXT 20LB AL5.....89  
BRACKET W/BALL,GAS SPRING.....29  
BRACKET, MOUNT GENERATOR.....61  
BRACKET,GENERATOR MOUNT.....57  
BRACKET,SUPPORT,MUFFLER.....49, 51  
BRAKE DRUM,ALXL.....21  
BREAKER,15A,120VAC 1P,CSA.....65, 67, 69  
BREAKER,20A MINI,120VAC 1P,CSA.....65, 67, 69  
BREAKER,20A,120VAC 1P,CSA.....65, 67, 69  
BREAKER,30A 250VAC 2P,CSA.....65, 67, 69  
BRKT,SOCKET MOGUL FO.....87  
BRKT,TAILPIPE SUPPORT.....41  
BRKT,TRUNION.....87  
BUMPER REAR TOWER SUP.....29  
BUMPER,RUBBER-1 X 1.25.....51  
BUSHING 11/16ODX1/2IDX1.032L.....81  
BUSHING 2.5ODX13/16.....79  
BUSHING FLANGE 1.25OD.....77  
BUSHING, 3/4OD X 1/2ID \*\*\*\*\*81  
BUSHING, 630DX.328ID .375T.....51  
BUSHING, SMALL PINION, FULTON.....77  
BUSHING,WINCH ROLLER LOCK.....77  
BUSHING,WNCH HANDL,0.5X2.0X3.5.....29

## C

CABINET DOOR PANELC/S.....27  
CABINET REAR PANEL(LG.....27  
CABINET SIDE PANEL CURBSIDE.....27  
CABINET SIDE PANEL ROADSIDE.....27  
CABINET SIDE PANELCS.....27  
CABINET SIDE PANELRS.....27  
CABINET TOP PANEL(GRI.....27  
CABLE HARDWARE FULTON WINCH.....77  
CABLE,3/16",2EYE,111.25IN LONG.....73  
CAP,FUEL,NON VENTED WITH GAUGE.....19  
CAP,FUEL,VENTED WITH GAUGE.....17, 19  
CAP,RADIATOR,AL,KUBOTA DF-752.....33, 43  
CAP,RADIATOR,KUBOTA D905.....33  
CAPACITOR 24uF MH 60H.....25  
CAPACITOR 25MF.....57  
CAPACITOR, 8KW GENERATOR,5420.....57  
CAPACITOR, HPS,60HZ,BALLAST.....25  
CARTRIDGE, OIL FLTR, ISUZU 4LE.....47  
CASTING,FIXTURE QUICK CONNECT.....87  
CHAIN JACK #12 ZP100FT/CARTON.....15  
CHAIN,SAFETY,3000#,3/8 X 30 IN.....15  
CHECK VALVE - 1/4".....19  
CLAMP 7/16 TO 25/32.....17, 19, 43, 45  
CLAMP, HOSE, #36.....49, 51  
CLAMP,CAPACITOR.....57  
CLAMP,HOSE.....33, 35, 43, 45, 47  
CLAMP,HOSE,KUBOTA WG750.....35  
CLAMP,LENS (C41100720).....87  
CLAMP,U-BOLT,1.5".....41  
CLAMP,U-BOLT,2-1/8".....41, 49, 51  
CLEVIS PIN STAINLESS.....73, 75, 79, 81, 83

COIL CORD W/JUN BOX,HW.....71  
COIL CORD,DEUTSCH.....71  
CONN,STRAIN RELIEF,1/2 NPT.....87  
CONNECTOR 2 SCREW 1.25T-B.....65, 67, 69  
CONNECTOR 2 SCREW 3/4.....29, 31, 65, 67, 69  
CONNECTOR 3P FEMALE RECEPTACLE...71  
CONNECTOR 5P MALE RECEPTACLE.....25  
CONNECTOR,7-POLE,TLITE,RND PIN.....71  
CONNECTOR,BLADE,POS,TAILT, 7P.....71  
CONNECTOR,TAIL LIGHT,6 POLE.....71  
CONNECTOR,TAILLIGHT,4 PIN.....71  
CONTROL BOX FACE PLT,EXT PWR.....63  
CONTROL BOX,REAR,RODA.....63  
CONTROL BOX,RIGHT SIDE,RODA.....63  
CORD 10/4 SEO W-ABLAC.....71  
CORD SET FEMALE 6FT 5.....65, 67, 69  
CORD SET MALE 5FT. 3P.....87  
COSMETIC,AL5000.....11, 13  
COSMETIC,TEREX LOGO-LG.....13  
COTTER PIN 1/8X1 SSBIN STOCK.....73, 75, 77, 79, 81, 83  
COTTER PIN 3/16X1.5 SS.....75  
COTTER PIN 3/32X3/4 S.....79, 81, 83  
COUPLER,BALL,2" CLASS II.....23  
COUPLER,SURGE,3" RING,6000#.....23  
COVER PLATE CABINETTA.....29  
COVER, RUBBER, EXTPOWER AL5.....31  
COVER, V-BELT, ISUZU 4LE2.....51  
COVER,ADJ SCREW,ALXL,BRAKE.....21  
COVER,AIR CLEANER,KUBOTA.....39  
COVER,CONNECTOR BOX (116179).....57  
COVER,JUNC BOX W/GSKT, 2 GANG.....71  
CROSSARM STUD DRAWING 2851.....85  
CROSSARM,4 LIGHT,AL SERIES,GLV.....85

## D

DECAL,BATTERY WARN &.....13  
DECAL,CAUTION,TIGHTEN.....13  
DECAL,COSMETIC,TEREX,4X40-R.....11  
DECAL- CAUTION WINCH.....11  
DECAL- CAUTION READ.....11  
DECAL- CAUTION STAND.....11  
DECAL- CAUTION TURN LIGHTS.....11  
DECAL- CRUSH AREA 4 X 2.....11  
DECAL- DANGER HIGHVOLTAGE.....13  
DECAL- HORIZONTAL LOCK 4541.....11  
DECAL- LIFT MACHINEHERE.....11  
DECAL- TOWER OPERATING.....11  
DECAL- CONTROL BOX 4L.....11  
DECAL- DANGER CRUSH HAZARD.....11  
DECAL- DANGER FALLING.....11  
DECAL- DO NOT STAND BEHIND TOW.....11  
DECAL- NO.2 DIESEL FUEL ONLY.....11  
DECAL- SYMBOL FOR GROUND.....11  
DECAL- WARNING SHOCK HAZARD.....11  
DECAL-ATTN ALL JACKS MUST BE.....11  
DECAL-CAUTION WINCH LOCK SYST.....11  
DECAL-DANGER DO NOT PULL LOCK.....11  
DECAL-DANGER ELECT SHOCK HAZAR...11  
DECAL-DANGER,FORKS MUST BE INS.....11  
DECAL-OPERATING INSTRUCTIONS.....11  
DIODE,70HF90,LSA38.....55  
DIODE,MARATHON.....57  
DIP STICK, ISUZU 4LE2.....47  
DIPSTICK,OIL,KUBOTA.....35, 43

## Part Description Index (continued)

DOOR PNL EXT PWRACCES.....31  
DRIVE DISC(C-107) MARATHON.....57

**E**

ELEC BOX, 12KW, 4L, RD,4PTL.....65, 69  
ELEC BOX, 12KW, 4L, XGFI,4PTL.....67  
ELEC BOX, 12KW, 6L, XGFI,4PTL.....67  
ELEC BOX, 12KW, 6L,4PTL.....69  
ELEC BOX, 20KW, 4L, RD,4PTL.....69  
ELEC BOX, 20KW, 4L, XGFI,4PTL.....67  
ELEC BOX, 20KW, 4L,4PTL.....65  
ELEC BOX, 20KW, 6L, RD,4PTL.....69  
ELEC BOX, 20KW, 6L, XGFI,4PTL.....67  
ELEC BOX, 20KW, 6L,4PTL.....65  
ELEC BOX, 8KW, 4L, RD,4PTL.....69  
ELEC BOX, 8KW, 4L, XGFI,4PTL.....67  
ELEC BOX, 8KW, 4L,4POLE T/L.....65  
ELEC BOX, 8KW, 6L, RD, 4PTL.....69  
ELEC BOX, 8KW, 6L,4POLE T/L.....65  
ELEC BOX, 8KW,4L,XTRA GFI.....67  
ELEC BOX,12KW,4L,RD.....69  
ELEC BOX,12KW,4L,XTRA GFI.....67  
ELEC BOX,12KW,6L,RD.....69  
ELEC BOX,12KW,6L,XTRA GFI.....67  
ELEC BOX,12KW,6L,LIGHT.....65  
ELEC BOX,20KW,4L,XTRA GFI.....67  
ELEC BOX,20KW,6L,RD.....69  
ELEC BOX,20KW,6L,XTRA GFI.....67  
ELEC BOX,20KW,6L,LIGHT.....65  
ELEC BOX,8KW,6L,RD.....69  
ELEC. BOX W/C-CORD.....65  
ELEC.BOX MOUNTINGBRKT.....63  
ELEC.BOX W/C-CORD 4LT AC-DCKUB.....65  
ELEC.BOX W/C-CORD,RODA KUB.....69  
ELEC.BOX W/C-CORS,AC-DC,KUB.....65  
ELEC.BOX,W/C-CORD,12KW AC-DC.....65  
ELEMENT,AIR CLEANER,KUBOTA.....39  
ELEMENT,AIR FILTER,DONALDSON.....49  
ELEMENT,FUEL FILTER,KUBOTA.....43  
END BELL,MARATHON 20 KW GEN.....61  
ENG FOOT/RAD SUPPORT, ROADSIDE.....33  
ENGINE ACCESSORY TEMP SENDER.....37, 43  
ENGINE FOOT/RAD SUPPORT,CURBSD.....33  
ENGINE MOUNT L-BRKTIS.....49, 53  
ENGINE RISER,2/75"H,FOR 1/2BLT.....33  
ENGINE,ISUZU,PUSHER,4LE2,1800R.....47  
ENGINE,ISUZU,SUCKER,4LE2,1800R.....47  
ENGINE,KUBOTA,D1105 PAK.....33  
EXCITER,ROTOR/RECTIFIER 20K.....61

**F**

FAN.....57  
FAN, ISUZU 4LE, 1800RPM, PUSH.....51  
FAN, ISUZU 4LE,1800RPM,SUCKER.....51  
FAN, MARATHON 20 KW GENERATOR.....61  
FAN,ENGINE,ISUZU, PUSHER.....49  
FAN,ENGINE,ISUZU,PULLER.....49  
FAN,PUSHER,KUBOTA 15263-12370.....35  
FENDER W/SKIRT,STEEL.....27  
FENDER,PLASTIC,BLACK.....27  
FILTER,30 MICRON FUEL-WATER.....47, 91  
FILTER,FUEL,KUBOTA.....37, 43  
FILTER,FUEL,KUBOTA,W/O BRKT.....33  
FILTER,IN-LINE,FUEL,5/16".....17, 19  
FILTER,OIL,ISUZU 4LB/C/E.....45  
FILTER,OIL,KUBOTA.....37  
FIXTURE MOUNT CUSHION.....15

FIXTURE MOUNTINGBRKT.....15  
FIXTURE STOR.CUSH.BRKT.....15  
FLYWHEEL, ISUZU 4LE2.....47  
FOAM CABINET DOOR5430AL5/7000.....27  
FOAM, CABINET, DOOR, VENTED.....27  
FOOT,ENGINE MOUNT L BRACKET.....41  
FORMING, BRKT, AIR INTAKE, ISU.....51  
FORMING, BRKT, RAD MOUNT, LOW.....53  
FORMING, BRKT, RAD MOUNT, REAR.....53  
FORMING, CABINET DOOR, VENTED.....27  
FORMING,BRACKET,RAD MOUNT,FRNT...53  
FP-BALLAST BOX BOTTOM.....25  
FP-BALLAST BOX FRONT.....25  
FP-BALLAST BOX REAR.....25  
FP-BALLAST BOX TOP.....25  
FP-BATTERY HOLD-DOWN ROD.....29  
FP-BATTERY HOLDOWN ANGLE.....29  
FP-BUMPER PAD,KICKOUT SPRING.....75  
FP-CLAMP,SPARE TIRE BRACKET.....89  
FP-HASP CABINET DOOR.....29  
FP-LOCK LEVER, AL SERIES.....81  
FP-SHIM 3/16X2X19-3/4 PLASTIC.....81  
FRAME SPACER,K-1550.....77  
FREEWHEEL KIT,SUPERWINCH.....95  
FUEL PUMP ASSY,ISUZU 4LC/E.....45  
FUEL PUMP, ISUZU 4LE2.....47  
FUEL TANK BRKT.2538 A.....17  
FUEL TANK,30 GAL W DRAIN HOLE.....17  
FUEL TNK ASSY,PLAS,30G,AL5&AL8.....17, 19  
FUSE HOLDER,ATC BLADE,#16.....91  
FUSE,40 AMP,ATC.....71  
FUSE,ATC BLADE,10A.....91

**G**

GASKET (52532) OIL DRAIN, D905.....35  
GASKET EXHST MANIFLD,ISUZU 4LE.....51  
GASKET, FUEL HEATER.....91  
GASKET, HOUSING REFLECTOR BASE.....87  
GASKET, MUFFLER, ISUZU 4LE2.....51  
GASKET, MUFFLER, KUBOTA (FIBER).....35  
GASKET, THRMOST HSG, ISUZU 4LE.....51  
GASKET,EXHAUST MANIFOLD,D905.....35  
GASKET,FUEL FILTER.....91  
GASKET,INJECTION PUMP.....37  
GASKET,MUFFLER,KUBOTA D905/11.....35, 41, 49  
GASKET,SOLENOID,KUBOTA.....37, 43  
GASKET,STRAIN RELIEF,1/2.....87  
GASKET,TRIM LOCK SEAL,7/16".....31  
GASKET,WATER COLLECTOR.....91  
GASKET-DRAIN PLUG,ENG OIL PAN.....35  
GENERATOR MOUNT BARL.....55, 59  
GENERATOR, MARATHON 12K.....61  
GENERATOR, MARATHON 20KW.....61  
GENERATOR,8KW,240V,60HZ,MAR.....57  
GENSET,20K,60HZ,PUSHER.....47  
GENSET,20K,60HZ,SUCKER.....47  
GLOW PLUG, ISUZU 4LE2.....47  
GREASE CAP, AXLE, 3000LB.....21  
GRIP,HUBBLE 07401010.....71  
GROUND CLAMP 3/4 MW 2.....29  
GROUND ROD STORAGE TUBE 4397.....29  
GROUND WIRE, GENSET TO TRAILER, 14"LG.....55  
GUARD,FAN,KUBOTA.....33

**H**

HAMMERBLOW 033008COTTER PIN.....21  
HAMMERBLOW SPINDLE NUT,AXLE.....21  
HANDLE SOCKET RATCHET.....77  
HANDLE,CHROME,5.75".....29  
HANGER,AXLE REAR,1.25F.....15  
HEATER, TOPLOAD FUEL, 100W/12V.....91  
HHC,M10-1.5 X 30, YELLOW ZINC.....49, 53  
HHC,M10-1.5 X 45, YELLOW ZINC.....53  
HINGE DOOR STAINLESS.....31  
HINGE,STAINLESS STEEL,BLACK.....31  
HITCH 24 HEIGHT.....23  
HITCH PINTLE RING 3 I.....23  
HITCH RING,COMBO,16"LENGTH.....23  
HITCH, ADJ HEIGHT BOLT ON.....23  
HITCH,2.5"RING,6 TON.....23  
HITCH,3"RING,6TON.....23  
HITCH,RING,BOLT-ON 2.5" ID.....23  
HOSE FITTING PIPE/BAR.....17, 19, 37, 91  
HOSE FITTING PIPE/BARB 1/8MX.....17  
HOSE FITTING PIPE/BARB, 1/4".....17, 19  
HOSE, INTAKE, KUBOTA D1105.....39  
HOSE, STRAIGHT, AIR INTAKE, IS.....49, 51  
HOSE,FUEL,1/4"ID,PUSH LOK,200#.....17, 19, 33  
HOSE,FUEL,1/8"ID.....17, 19  
HOSE,FUEL,5/16"ID.....17, 19, 37, 43  
HOSE,OIL,3/8 0250PS1.....35, 41, 45  
HOSE,RADIATOR,LOWER,KUBOTA.....33  
HOURMETER,DIGITAL,RECTANGULAR...65, 67, 69  
HOUSING, FLYWHEEL ISUZU 4LE2.....47  
HOUSING, THERMOSTAT, ISUZU 4LE.....51  
HUB SPACER.....57

**I**

IDLER HUB,ALXL.....21  
IGNITION SWITCH,LEVER OPR.....65, 67, 69  
INJECTOR NOZZLE ASSEMBLY,ISUZU.....45  
INNER BEARING.....21  
INTAKE FILTER SIDE MANUAL AIR.....91  
ISOLATOR, ENGINE MOUNT.....33, 41  
ISOLATOR, RADIATOR, LOWER.....53  
ISOLATOR, RADIATOR, UPPER.....53  
ISOLATOR,ENGINE,390LB.....49, 51, 55, 57, 61  
ISOLATOR,ENGINE,70D.....61  
ISUZU 3LB 8971065492GLOW PLUG.....45  
ISUZU 4LE 8972249990FAN BELT.....49  
ISUZU 4LE UPPER RADIATOR HOSE.....45, 47  
ISUZU 4LE TEMP SWITCH, 230° 2P.....45  
ISUZU FAN GUARD.....45, 53  
ISUZU FUEL FILTER.....45  
ISUZU LOWR RADIATOR ISOLATOR.....45  
ISUZU OPERATORS MANUAL.....47  
ISUZU RADIATOR DRAIN KIT.....45  
ISUZU UPPR RADIATOR ISOLATOR.....45

**J**

JACK,MECHANICAL,3000LB.....93  
JUMPER-GLOW PLUG.....37

**K**

KIT COIL CORD W JUNCTION BOX.....71  
KIT, 20K GENERATOR REPLACEMENT.....59  
KIT, TAILPIPE, 20K, PUSHER.....49

KIT,AXLE,U-BOLT & PLATE & NUTS.....15  
 KIT,COMBO HITCH.....23  
 KIT,ELEC.COMP.BOX,ISU/RODA,20K.....69  
 KIT,ELECT.BOX,MNTG,2-CC.....29  
 KIT,SHACKLE SHOULDER BOLT ASSY.....15  
 KIT- WINCH - SOCKET FULTON.....77  
 KIT-WINCH SAFETY LOCK.....77  
 KIT-WINCH W/SAFETY LO.....77  
 KIT: V1505 TAILPIPE MOUNT.....41  
 KIT:ALTERNATOR WIRING,KUBOTA.....71  
 KIT:BATTERY CABLE AL5/AL8.....71  
 KIT:BOOK BRACKET TO CAB.....29  
 KIT:CABINET,BOLT-TOGETHER.....27  
 KIT:CAPACITOR REPLACEMENT, 8KW, L-S,  
 60HZ, 2-50UF.....55  
 KIT:ELEC.CONTROL BOX ASSY.....63  
 KIT:GEN REFIT 8KW LSA37 TO MAR.....55  
 KIT:GROUND ROD TO CAB.....29  
 KIT:HOSE/CLAMP ISUZU.....47  
 KIT:KUBOTA OVER-FLOW.....43  
 KIT:LOCK SLIDE PIN W/.....75  
 KIT:MUFFLER (KUB) SPACER.....35  
 KIT:RODA DEACO WIRING.....69  
 KIT:RODA-DEACO MOUNTING.....69  
 KIT:TOWER,30' 6"ROUND TUBE.....79  
 KIT:TWR,30'CBL TO PIVOT POST.....75  
 KUBOTA 01123-50820 BOLT.....35, 37  
 KUBOTA 15111-72200 WASHER.....33  
 KUBOTA 15263-12370BAND PIPE.....39  
 KUBOTA 15263-12370CUSHION.....33  
 KUBOTA 16221-73270GASKET.....35  
 KUBOTA 16259-73430.....35, 41  
 KUBOTA 66711-54520COV.....35  
 KUBOTA BAND, MUFFLER.....35  
 KUBOTA BELT COVER.....35  
 KUBOTA BOTTOM HOSE,D1105.....43  
 KUBOTA CUSHION.....33  
 KUBOTA DYNAMO STAY.....35  
 KUBOTA ENGINE 1505 T4I PACK.....41  
 KUBOTA EXHAUST MANIFOLD.....35  
 KUBOTA FAN GUARD,D1105.....41  
 KUBOTA FLANGE BOLT.....35, 41  
 KUBOTA GLOW PLUG.....37  
 KUBOTA HEAD COVER GASKET.....35  
 KUBOTA HOSE,D905, D1105.....33, 35  
 KUBOTA INJECTOR PUMP, V1105.....37  
 KUBOTA KIT, HOLDER,NOZZLE.....37  
 KUBOTA NUT.....35  
 KUBOTA O-RING.....35  
 KUBOTA OIL FILLER PLUG,V1305.....35  
 KUBOTA OIL FILTER,D1105.....43  
 KUBOTA OVER FLOW PIPE.....37  
 KUBOTA OVERFLOW PIPE.....37  
 KUBOTA PUSHER FAN,D1105.....41  
 KUBOTA RAD ISOLATOR BOLT.....33  
 KUBOTA SNAP PIN.....33  
 KUBOTA TOP HOSE,D1105.....43  
 KUBOTA WATER PIPE.....33, 35  
 KUBOTA WATER PIPE 16241-73350.....35

**L**

LAMP HPS 1000W LU1000CSA APPVD.....87  
 LAMP MH 1000W M1000/U SYL.....87  
 LATCH ASSEMBLY.....29  
 LENS GASKET FOR LIGHT FIXTURE.....87  
 LENS W/GASKET (C41100720).....87  
 LEROY SOMER LSA OPS MANUAL.....55  
 LIGHT FIXTURE,MH,AL4,RL4,AL5.....87  
 LIGHT,DOME, 12V DC.....89

LIGHT,LED IND. RED 12V NH.....65, 67, 69  
 LIGHT,LICENSE TAG W/BRACKET.....29  
 LIGHT,RECESSED,TAIL/STOP/TURN.....29  
 LIGHT,SIDE MKR,AMBER,RECESSED.....29  
 LIGHT,SIDE MKR,RED,RECESSED.....29  
 LITERATURE RACK FOR CABINET.....29  
 LOCKNUT, CONDUIT 3/4CSA APPVD.....29,  
 31, 65, 67, 69  
 LOCKNUT,CONDUIT,1/2 CSA APPVD.....87  
 LOCKWASHER,10MM.....41  
 LOWER READIATOR HOSE.....45, 47

**M**

MA-CABLE ASSEMBLY 1/4.....73  
 MA-GROUND ROD 5/8 X 59.....29  
 MA-PIN LOCK SLIDE WITH RING.....75  
 MA-SHACKLE/SHOULDER BOLT ASSY.....15  
 MAGNET SPRING,ELEC BRAKE,ALXL.....21  
 MAGNET,ELEC BRAKE, ALXL.....21  
 MANIFOLD, EXHAUST, ISUZU 4LE2.....51  
 MANUAL, INSTRUCTION, ISUZU 4LE.....47  
 MANUAL, OP, MARATHON 12K.....61  
 MANUAL, OP, MARATHON 20K.....61  
 MANUAL, OP, NEWAGE BCH-018 BCI.....59  
 MANUAL,OP,KUBOTA,D1105,TIER 2\*.....41  
 MANUAL,OP,MARATHON GENERATOR.....57  
 MARATHON SUPPRESSOR/VARISTOR.....57  
 MARATHON VOLTAGE REGULATOR.....61  
 MNT,CYL,M/M 1/4-20X.75 1.0 OD.....41  
 MUFFLER ASSY.....49, 51  
 MUFFLER BRACE.....33  
 MUFFLER,KUBOTA.....35  
 MUFFLER,KUBOTA BOX TYPE.....41

**N**

NON DRIVE END BEARING HOUSING.....55  
 NUT.....89  
 NUT HEX 1/4-20NCGRADE2 ZP.....51  
 NUT HEX 5/8-11NCGRADE2 ZP.....23  
 NUT HEX HEAD JAM 3/4.....17  
 NUT LOCK NYLON INSERT.....29, 51, 75, 79  
 NUT LOCK NYLON INSERT 3/8.....19, 25, 27,  
 31, 81, 85, 89, 91  
 NUT, LOCK, NYL 10-24NC 18-8 SS.....31  
 NUT,7/16,FH,ZINC,BRAKE, ALXL.....21  
 NUT,EXHAUST MANIFLD,ISUZU 4LE2.....49,  
 51  
 NUT,EXHAUST MANIFOLD.....35  
 NUT,FLANGE,7/16-20, TOP LOCK.....15  
 NUT,HEX,1-8.....23  
 NUT,HEX,1/4-20.....33, 41  
 NUT,HEX,8-32.....65, 67, 69  
 NUT,HEX,JAM,1/2-13.....77  
 NUT,LOCK,3/8-16.....77  
 NUT,LOCK,8-32.....65, 67, 69  
 NUT,NYLOCK,1/2-13.....15, 55, 57, 59, 61, 77  
 NUT,NYLOCK,1/2-13 GR2.....23, 27, 33, 41,  
 49, 51, 75, 81  
 NUT,NYLOCK,1/2-20.....79  
 NUT,NYLOCK,1/4-20.....15, 29, 53, 85  
 NUT,NYLOCK,1/4-20 GR2.....15, 27, 29, 31, 75  
 NUT,NYLOCK,3/8-16.....17, 29  
 NUT,NYLOCK,5/16-18.....89  
 NUT,NYLOCK,5/8-11.....23  
 NUT,NYLOCK,M10X1.50.....53  
 NUT,WHEEL, 1/2 X 20.....21, 89  
 NUT,WING 3/8-16 ZP.....15  
 NUTSERT 5/16-18 UNCP/.....31

NUTSERT,8-32 (833543).....87

**O**

O-RING.....55, 57  
 OIL DRAIN VALVE ISUZUM20 X 1.5.....45  
 OIL PAN, ISUZU 4LE2.....51  
 OIL PRESS SWITCH NO.2 TERM.....45  
 OIL SWITCH, ISUZU 4LE2.....47  
 OUTRIGGER 3X2X33REARAL5000.....15, 93  
 OUTRIGGER,3X2X32.5,GALVANIZED.....15,  
 93

**P**

PANEL,CNTL BOX FACE,8 LIGHT.....63  
 PIGTAIL,FUEL SOLENOID,KUBOTA.....71  
 PIN 1X9-1/4 TOWER PIVOT.....75  
 PIN COTTERLESS HITCH1.....15  
 PIN QUICK 1/4X 1.75 ZP.....29  
 PIN W/RING 3/4X11,HORZ LOCK.....29  
 PIN,LYNCH.....23  
 PIN,PLUNGER,OUTRIGGER, KIT.....93  
 PINION GEAR AND DISC K-1550.....77  
 PIPE FITTING STR ELBO.....17, 19  
 PIPE PLUG 1/4 GALV.....91  
 PIPE PLUG 1/8 CS.....17  
 PIPE,INJECTOR 1,D905,D1105.....37  
 PIPE,INJECTOR 2,D905,D1105.....37  
 PIPE,INJECTOR 3,D905,D1105.....37  
 PLATE COIL CORD CAB MOUNT.....29  
 PLATE, RAD MOUNT, LOWER.....53  
 PLATE,2 COIL CORD, CAB MT.....29  
 PLATE,CTRL BOX RIGHT, GFI.....63  
 PLATE,CTRL BOX,BOTTOM.....63  
 PLATE,CTRL BOX,LEFT EXT PWR.....63  
 PLATE,FACE,CNTL BOX,4LT W/GFI.....63  
 PLATE,RH,CNTRL BOX.....63  
 PLATE,SIDE,COMBO HITCH,BOLT-ON.....23  
 PLATE, TOP&SIDE,CNTRL BOX.....63  
 PLATE, TOP,BRACKET,MUFFLER.....51  
 PLATE, TOP,CNTRL BOX.....63  
 PLUG, 4", CAPPLUG.....29  
 PLUG, ENGINE OIL, D1105.....35  
 PLUG,DRAIN,FUEL TANK.....17  
 PLUG,ENGINE OIL DRAIN,D-905\*\*\*.....35  
 PMA-GENSET-KUBOTA 1505 12KW.....41  
 POT COVER.....57  
 PULLEY, FAN, ISUZU 4LE2.....51  
 PULLEY, FAND DRIVE, ISUZU 4LE2.....51  
 PULLEY,FAN,KUBOTA, D-905,GS68.....35  
 PUMP,FUEL, 12VDC.....17, 19  
 PUMP,WATER,KUBOTA.....35, 41

**R**

RACE,ALXL,840377,841050.....21  
 RADIATOR HOSE,KUBOTA.....33  
 RADIATOR KIT ISUZU4LE.....45  
 RADIATOR, ISUZU 4LE.....53  
 RADIATOR, KUBOTA, D905 & D1105.....33  
 RADIATOR,KUBOTA A-47.....43  
 RATCHET ARM FULTONWI.....77  
 RATCHET GEAR,K-1550 1/2" I.D.....77  
 RATCHET KIT (K-1500,K-1550)\*\*.....77  
 REAR TOWER SUPPORT 1CC, AL5.....29  
 RECEP 30A 120/240V 4 POLE.....65, 67, 69  
 RECEP 30A 20V 3POLE.....65, 67, 69  
 RECEPTACLE 20A 120V DUPLEX GFI.....65,  
 67, 69  
 RECTIFIER, MARATHON 12K.....61

## Part Description Index (continued)

- RECTIFIER, NEWAGE.....59  
 Ref, GENERATOR.....39  
 REFLECTOR & LENS ASSY STD FIX.....87  
 REFLECTOR (C41100720).....87  
 RELAY 12V DC 30A NO OR.....65, 67, 69  
 REMOTE CNTRL,SUPERWINCH (219227).....95  
 RETAINING RING.....77  
 RETRACTOR SPRING,E BRK,ALXL.....21  
 RING,REINFORCING (C41100720).....87  
 RIVET POP 1/8X.390 GR.....87  
 RIVET,POP,SS,3/16"X1/2" BLIND.....27, 29, 81, 83  
 RODA DACO MANUAL SHUTDOWN.....91  
 RODA DEACO MAN, SHUTDOWN, 2".....51  
 ROLL PIN 1/4 X1-5/8.....75
- S**
- SCREEN ASY W/SPGS.....57  
 SCREW #10-24NCX1/2RD.....89  
 SCREW #10-32NFX3/4 LO.....29, 75  
 SCREW 1/2-13NCX1-1/2H.....15, 27, 29  
 SCREW 1/2-13NCX5-1/2H.....23  
 SCREW 1/4-20NCX5/8 HW.....17, 19, 27, 29, 31, 43  
 SCREW 3/8-16NCX1 HHC GR.....73  
 SCREW 3/8-16NCX6HHC.....19  
 SCREW 5/16-18NCX3/4 HHC.....15, 31  
 SCREW FHSC 10-24X3/4SS.....31  
 SCREW FLANGE 1/4 -20X.....33  
 SCREW,1/2-13NCX4HHC,GR 2,ZP.....55  
 SCREW,HH SLOT,1/4 X 0.75.....25, 55  
 SCREW,HH SLOT,8-32X1.....87  
 SCREW,HHC,1/2-13 X 1.25.....87  
 SCREW,HHC,1/2-13 X 1.5.....87  
 SCREW,HHC,1/2-13 X 2 G.....55, 59  
 SCREW,HHC,1/2-13 X 2 GR5.....15  
 SCREW,HHC,1/2-13 X 3.....41, 81  
 SCREW,HHC,1/2-13 X 3 G.....75  
 SCREW,HHC,1/2-13 X 3.25.....61  
 SCREW,HHC,1/2-13 X 3.5.....59  
 SCREW,HHC,1/2-13 X 3.5 GR8.....27, 49, 51  
 SCREW,HHC,1/2-13 X 4 G.....15, 23  
 SCREW,HHC,1/2-13 X 4.5,GRD.8.....23  
 SCREW,HHC,1/2-13 X 5.5,GRD.8.....23  
 SCREW,HHC,1/2-13 X 6.....23  
 SCREW,HHC,1/2-13 X 6 GR5 ZP.....23  
 SCREW,HHC,1/2-13 X 6.5.....33  
 SCREW,HHC,1/2-13X4,GR8.....57  
 SCREW,HHC,1/4-20 X .75.....29  
 SCREW,HHC,1/4-20 X 0.75.....29  
 SCREW,HHC,1/4-20 X 1.....15, 29, 85  
 SCREW,HHC,1/4-20 X 3/4 GR2 ZP.....15, 27  
 SCREW,HHC,1/4-20X2.00,GR8.....75  
 SCREW,HHC,1/4-20X6 1/2,ZINC.....51  
 SCREW,HHC,10MM-1.5X258.8,ZINC.....51  
 SCREW,HHC,3/8-16 X 1.....29  
 SCREW,HHC,3/8-16 X 1 GR 5 ZP.....75  
 SCREW,HHC,3/8-16 X 1.25.....57, 61, 91  
 SCREW,HHC,3/8-16 X 3.75.....27, 81  
 SCREW,HHC,3/8-16 X 4.5 ZP.....85, 89  
 SCREW,HHC,3/8-16 X 5.5 GRD 8.....77  
 SCREW,HHC,3/8-16 X 6.....77  
 SCREW,HHC,3/8-16 X 7/8.....73  
 SCREW,HHC,3/8-16 X 8.5.....17  
 SCREW,HHC,5/16-18 X 0.5 IN.....75  
 SCREW,HHC,5/16-18X.75,GR8,Y.....57, 61, 89  
 SCREW,HHC,5/8-11 X 2.5.....23  
 SCREW,HHC,5/8-11X4.50,GR8,Y.....23
- SCREW,HHC,M10 X 25MM,GR 8.8.....51  
 SCREW,HHC,M10X1.25 X 35MM GR 8.....33, 41  
 SCREW,HHC,M8 X 20MM,F.TH.GR8.8.....53  
 SCREW,HHC,M8-1.25 X 45MM ZP.....35  
 SCREW,M8 X 35MM.....35  
 SCREW,PHILLIPS,PHM,8-32 X .5.....65, 67, 69  
 SCREW,PHM,10-24 X 5/8.....87  
 SCREW,PHM,6-32 X .25.....65, 67, 69  
 SCREW,PHM,8-32X3/8.....87  
 SCREW,RH,6-32 X 5/8.....71  
 SCREW,RHM,6-32X5/8.....87  
 SCREW,RHM,8-32 X .50.....65, 67, 69  
 SEAL,GREASE (SL173).....21  
 SENDER,ENGINE OIL.....45  
 SHACKLE,AXLE,4-5/8" LONG.....15  
 SHEAVE 3-1/8 X15/16.....79, 81, 83  
 SHEAVE SPOOL 3 X2-1/2.....75  
 SHIM 1/4X2X3-3/16 PLASTIC.....81  
 SHIM 3/16X2X3-3/16 PLASTIC.....81  
 SHIM 3/8X2X2X2.25 PLASTIC.....83  
 SHIM 5/16X2X2-1/4 PLASTIC.....83  
 SHIM 5/16X2X3-3/16 PLASTIC.....81  
 SHOE AND LINING KIT,ALXL,ELEC.....21  
 SHOE AND LINING KIT,ALXL,HYD.....21  
 SHOE HOLD DOWN SPRING,ALXL.....21  
 SHUTDOWN ,OVERSPEED,RD.....69  
 SLEEVE,COIL CORD,AL4,AL5.....81  
 SLEEVE,WIRE,FIBERGLASS.....87  
 SNAP RING,JACK (841430).....15, 93  
 SOCKET BASE-MOGUL.....87  
 SOLENOID W/BRAKET SUPERWINCH.....95  
 SOLENOID,ENGINE STOP,ISUZU 4LE.....45  
 SOLENOID,FUEL,3 WIRE,KUBOTA.....37  
 SOLENOID,KUBOTA D9/1105 SHTDWN.....37, 43  
 SPACER .5 ID 1.25ODNO. 5968.....77  
 SPACER FRAME 1PWR ACC.....31  
 SPACER, DRUM BOLT, K-1550.....77  
 SPACER,MUFFLER,KUBOTA 6013.....35  
 SPACER,PINION SHAFT.....77  
 SPACER,SIDE,COMBO,HTCH,BOLT-ON.....23  
 SPARE TIRE MT,5 LUG WHEEL.....89  
 SPIDER, MH/HPS.....87  
 SPRING EYE BUSHING.....15  
 SPRING,COIL,1/2 X 2.25.....75  
 SPRING,GAS,16",80LBS.....29  
 SPRING,KICKOUT,0.262X1.75,AL'S.....75  
 SPRING,LEAF FOR AXLE, 4 PLY.....15  
 STARTER, ISUZU 4LE1.....49  
 STARTER, ISUZU 4LE2.....51  
 STARTER,KUBOTA,D1105/905.....35, 41  
 STOP SOLENOID, ISUZU 4LE2.....47  
 STUD,EXHAUST MANIFLD,ISUZU 4LE.....51  
 STUD,EXHAUST MANIFOLD.....35  
 SVC KIT, FRICTION DISC K/KX.....77  
 SVC KIT,TAILLIGHTS,AL.....71  
 SWITCH PUSH-BUTTON W/BOOT.....67, 69  
 SWITCH,LOW OIL PRESS,KUBOTA.....35, 41  
 SWITCH,OIL PRESSURE.....45
- T**
- T-HANDLE.....87  
 TAILPIPE COVER.....29  
 TAILPIPE, ISUZU EXHAUST.....49, 51  
 TAILPIPE, ISUZU EXHAUST, TOP.....51  
 TAILPIPE,8K EXHAUST.....35  
 TANK,RECOVERY,COOLANT,KUBOTA.....33, 43
- TEE,HOSE,BRASS,1/4.....19  
 TEMP SENDER,ISUZU 4LE1PV02.....45  
 TERMINAL BLOCK.....57  
 TERMINAL BOX COVER.....55  
 TERMINAL STRIP,CE.....87  
 THERMOSTAT.....35  
 THERMOSTAT COVER.....35  
 THERMOSTAT, ISUZU 4LE2.....51  
 TONGUE B-O-H W/JACKBR.....15  
 TOWER BASE ROT.TWR.30.....75  
 TRANSFORMER 120/24VAC.....69
- V**
- V-BELT,KUBOTA.....35, 41  
 VALVE COVER, D905.....35  
 VALVE,AIR CLEANER,KUBOTA.....39  
 VALVE,OIL DRAIN,KUBOTA.....41  
 VALVE,PLASTIC DRAIN.....91  
 VIBRATION MNT 150LB 50 DUROMTR.....59  
 VOLTAGE REGULATOR NEWAGE GENS.....59
- W**
- WASHER FLAT 1/2ZP.....23, 33, 49, 51, 55, 57, 59, 81  
 WASHER FLAT 1/45/8 SBIN.....27, 29  
 WASHER FLAT 1/4ZPLENSETBIN.....27, 29, 51  
 WASHER FLAT 1S/S 18-8BIN.....75  
 WASHER FLAT 3/8 ZP SAE BIN.....31, 57, 61, 91  
 WASHER FLAT 3/8USS ZPBIN.....19, 25, 27, 41, 51, 75, 85, 89  
 WASHER FLAT 5/16ZP SAE/BIN.....89  
 WASHER FLAT 5/8.....23  
 WASHER FLAT BONDED3/1.....89  
 WASHER FLAT C816L S/S.....77  
 WASHER FLAT FENDER1/2.....41, 49, 51, 55, 59, 61  
 WASHER LOCK 1/2ZP.....15, 23, 27, 29, 33, 87  
 WASHER LOCK 1/4ZP.....51  
 WASHER LOCK 3/8ZP.....57, 61, 73, 75, 91  
 WASHER LOCK 5/16 ZP BIN.....15, 35, 57, 61  
 WASHER LOCK 5/8 ZP.....23  
 WASHER LOCK STAR 1/2E.....87  
 WASHER LOCK STAR 3/8.....15  
 WASHER RUBBER BUNA-N.....17  
 WASHER, LOCK, M8, INTERNAL TOO.....53  
 WASHER, LOCK, STAR, 1/4 EXT.TOOTH, S/S.....55  
 WASHER,CLAMP,RUBBER(833543).....87  
 WASHER,FLAT,375 X 1.5 X .125.....73  
 WASHER,FLAT,1.000,HARDENED.....23  
 WASHER,FLAT,1/2 SS 18-8 BIN.....27  
 WASHER,FLAT,3/4 ZP.....17  
 WASHER,FLAT,3/8,HARDENED,YZ.....53  
 WASHER,FLAT,SAE 1/4",ZINC.....15, 29  
 WASHER,FLAT,SNUB 1/2X2-3/4 ZN.....33, 57  
 WASHER,FLAT,USS,1/2",Y.....15, 23, 29, 61  
 WASHER,FLAT,USS,1/4"Y.....85  
 WASHER,FLAT,USS,3/8",Y.....17, 29  
 WASHER,FLAT,USS,5/8",Y.....23  
 WASHER,LOCK,#6 SS.....65, 67, 69  
 WASHER,LOCK,25.....53  
 WASHER,LOCK,M10.....49, 51, 53  
 WASHER,LOCK,M10 ZP.....33, 51  
 WASHER,LOCK,STAR 3/4 E.....85  
 WASHER,M8,ZINC.....53  
 WASHER,PLAIN,1".....21

WASHER,RUBBER SEAL.....91  
WASHER,WAVY, LEROY SOMER LSA37.....55  
WATER COLLECTOR AY.....91  
WATER PUMP-4LE,ISUZU.....49  
WELDMENT, CHASSIS.....15  
WELDMENT,CONTAINMENT TANK.....19  
WELDMENT,DOOR LOUVER ASSEMBLY...27  
WHEEL CYLINDER, LH, ALXL.....21  
WHEEL CYLINDER, RH, ALXL.....21  
WHEEL/TIRE ASSY,15",205/75 LRC.....15  
WINCH BRACKET, DRUM BOLT LOCK.....77  
WINCH HANDLE W/TUBE1 X 29LG.....75, 77  
WINCH PINION PLATE, K-1550.....77  
WINCH W/SOLENOIDS 4000LB.....95  
WING NUT, FIXTURE,RL4,AL4,AL5.....85  
WIRE HARN,AC,60HZ,1-240V&1-GFI.....71  
WIRE HARN,DC,IN CTRL BOX,2006...65, 67,  
69, 71  
WIRE HARN,ENG,ISUZU,4LE1,AL5.....47, 71  
WIRE HARN,ENG,KUBOTA,DC,2006.....65,  
67, 69, 71  
WIRE HARNESS,TAIL LIGHTS.....71  
WIRE ROPE ASSY,SUPERWINCH  
(219226).....95  
WTHRSRIP, 1/4" X 1/2"W.....27

***This Page Intentionally Left Blank***



California Proposition 65



**WARNING**

Operating, servicing and maintaining this equipment can expose you to chemicals including engine exhaust, carbon monoxide, phthalates, and lead, which are known to the State of California to cause cancer and birth defects or other reproductive harm. These chemicals can be emitted from or contained in other various parts and systems, fluids and some component wear by-products. To minimize exposure, avoid breathing exhaust, do not idle the engine except as necessary, service your equipment and vehicle in a well-ventilated area and wear gloves or wash your hands frequently when servicing your equipment or vehicle and after operation. For more information go to [www.P65Warnings.ca.gov/passenger-vehicle](http://www.P65Warnings.ca.gov/passenger-vehicle).

Breathing diesel engine exhaust exposes you to chemicals known to the State of California to cause cancer and birth defects or other reproductive harm.

- Always start and operate the engine in a well-ventilated area.
- If in an enclosed area, vent the exhaust to the outside.
- Do not modify or tamper with the exhaust system.
- Do not idle the engine except as necessary.

For more information go to [www.P65warnings.ca.gov/diesel](http://www.P65warnings.ca.gov/diesel).

[www.genielift.com](http://www.genielift.com)

Distributed By:

# Parts Manual

AL5000

*(from SN AL507-100 to AL512-516)*

Part No.  
116443

Rev C20

