

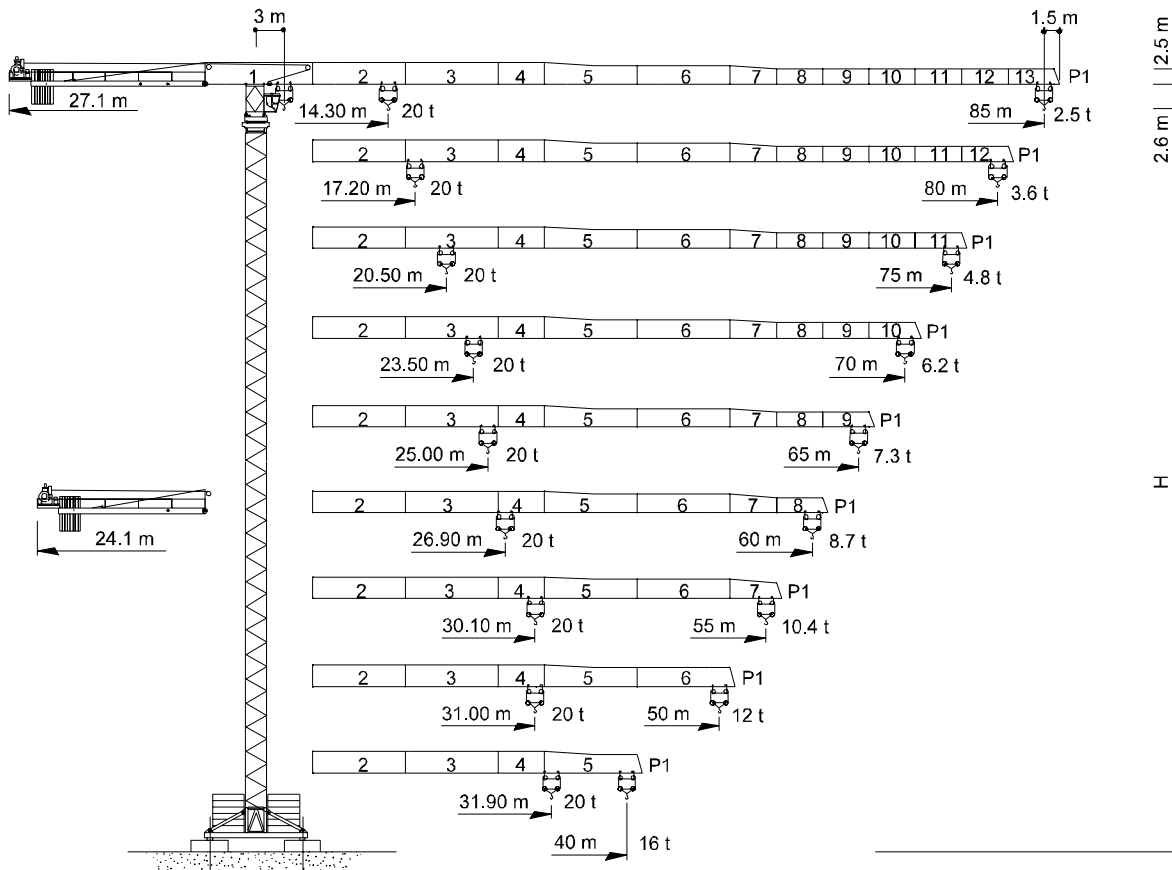


TEREX | COMEDIL

Gru a torre "Flat Top"

"Flat Top" Tower Crane • Grue à tour "Flat Top"

"Flat Top" Turmdrehkran • Grúa torre "Flat Top"



CE FEM 1.001 A3

THE **ULTIMATE** CRANE™

Dati illustrativi non impegnativi
Con riserva di modifica senza preavviso

Specifications and data not binding
Subject to modification without notice

Données techniques seulement indicatives
Modifications réservées sans préavis

Angaben und Beschreibung unverbindlich
Änderungen vorbehalten ohne weitere Mitteilung


Dibujos y datos sin compromiso
Modificaciones reservadas sin preaviso

UTEDOC.REV.002

CTT 561-20 HD23

Diagramma di portata (I) **Courbes de charges** (F) **Curvas de cargas** (E)
Load Diagram (GB) **Lastkurven** (D)

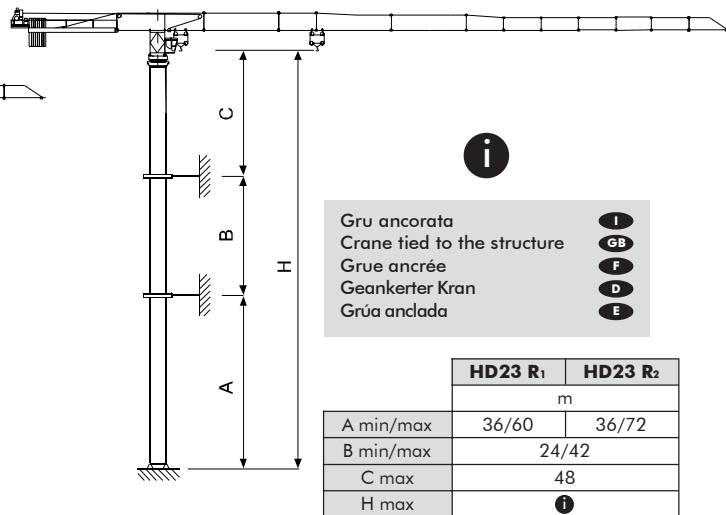
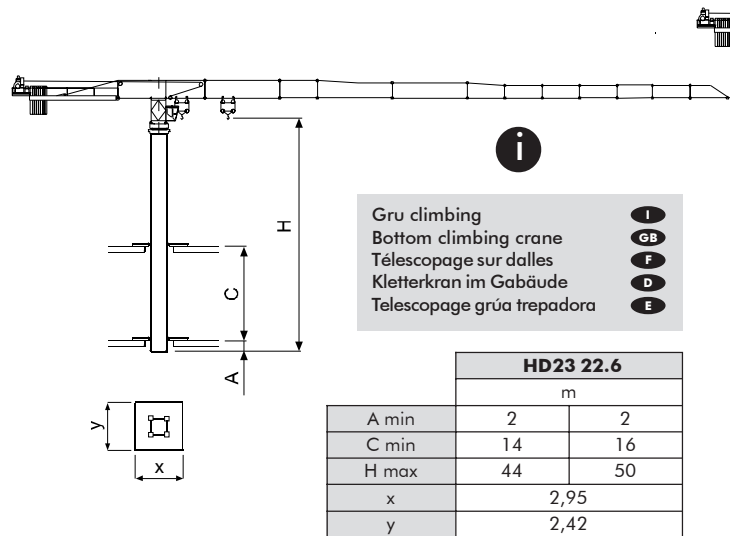
CTT 561-20



| |
|--------------|
| 10t - 27.6 m |
| 20t - 14.3 m |
| 10t - 33.5 m |
| 20t - 17.2 m |
| 10t - 39.6 m |
| 20t - 20.5 m |
| 10t - 45.7 m |
| 20t - 23.5 m |
| 10t - 49.0 m |
| 20t - 25.0 m |
| 10t - 52.9 m |
| 20t - 26.9 m |
| 10t - 55.0 m |
| 20t - 30.1 m |
| 10t - 50.0 m |
| 20t - 31.0 m |
| 10t - 40.0 m |
| 20t - 31.9 m |

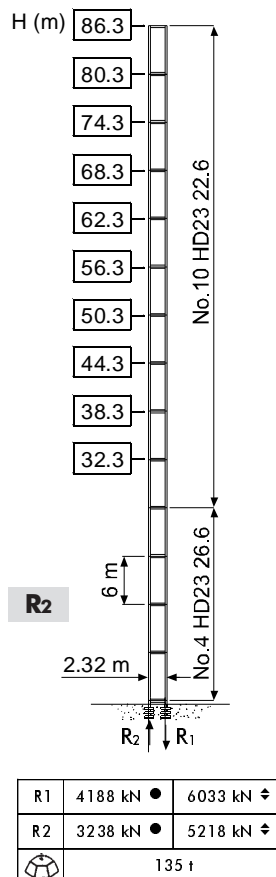
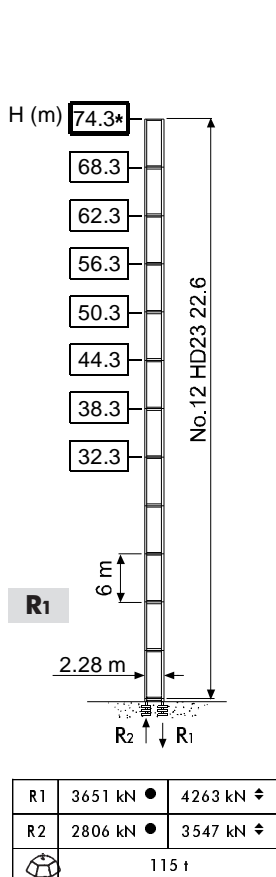
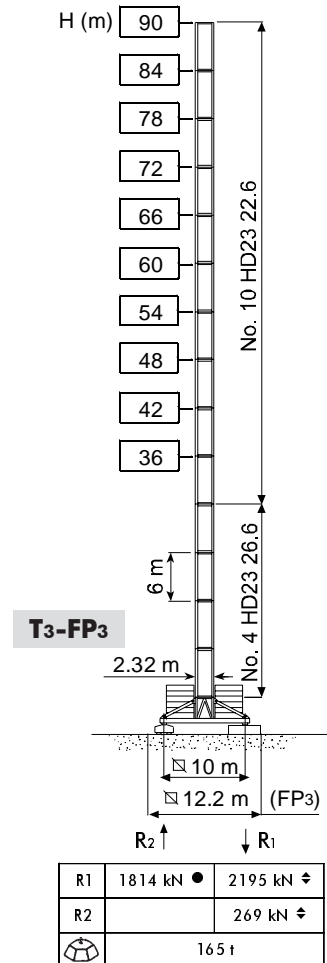
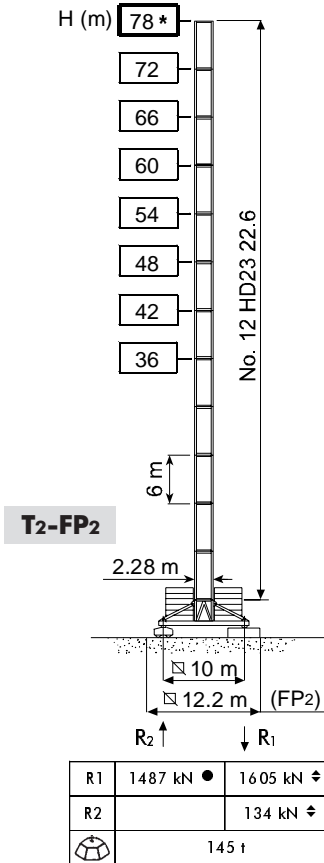
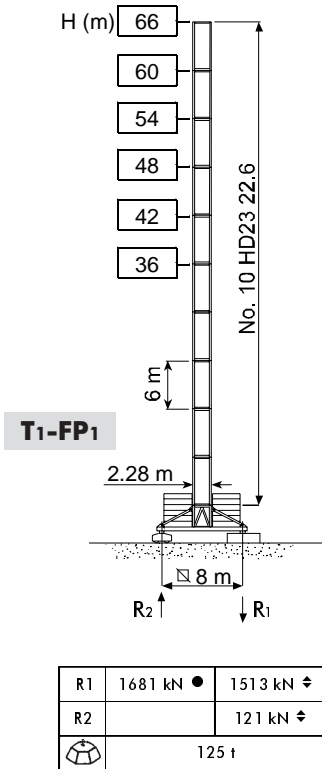
| m | 20 | 25 | 30 | 35 | 40 | 45 | 50 | 55 | 60 | 65 | 70 | 75 | 80 | 85 |
|------|-------|-------|-------|-------|-------|-------|-------|------|------|------|------|------|------|-----|
| t 10 | 10 | 10 | 9.08 | 7.6 | 6.5 | 5.65 | 4.98 | 4.43 | 3.97 | 3.58 | 3.25 | 2.97 | 2.72 | 2.5 |
| t 20 | 13.39 | 10.2 | 8.12 | 6.64 | 5.55 | 4.7 | 4.03 | 3.48 | 3.02 | 2.64 | 2.31 | 2.03 | 1.78 | 1.6 |
| t 10 | 10 | 10 | 10 | 9.52 | 8.18 | 7.16 | 6.34 | 5.67 | 5.12 | 4.65 | 4.25 | 3.9 | 3.6 | |
| t 20 | 16.77 | 12.93 | 10.4 | 8.62 | 7.3 | 6.28 | 5.46 | 4.8 | 4.25 | 3.78 | 3.39 | 3.04 | 2.8 | |
| t 10 | 10 | 10 | 10 | 10 | 9.89 | 8.67 | 7.69 | 6.9 | 6.24 | 5.69 | 5.21 | 4.8 | | |
| t 20 | 20 | 15.94 | 12.9 | 10.75 | 9.16 | 7.92 | 6.94 | 6.14 | 5.48 | 4.92 | 4.44 | 4.1 | | |
| t 10 | 10 | 10 | 10 | 10 | 10 | 10 | 9.04 | 8.14 | 7.38 | 6.74 | 6.2 | | | |
| t 20 | 20 | 18.62 | 15.15 | 12.7 | 10.88 | 9.47 | 8.35 | 7.44 | 6.68 | 6.04 | 5.6 | | | |
| t 10 | 10 | 10 | 10 | 10 | 10 | 10 | 9.77 | 8.79 | 7.98 | 7.3 | | | | |
| t 20 | 20 | 20 | 16.31 | 13.69 | 11.75 | 10.24 | 9.04 | 8.07 | 7.26 | 6.7 | | | | |
| t 10 | 10 | 10 | 10 | 10 | 10 | 10 | 10 | 9.58 | 8.7 | | | | | |
| t 20 | 20 | 20 | 17.7 | 14.91 | 12.83 | 11.22 | 9.94 | 8.9 | 8.2 | | | | | |
| t 10 | 10 | 10 | 10 | 10 | 10 | 10 | 10 | 10 | | | | | | |
| t 20 | 20 | 20 | 20 | 16.94 | 14.6 | 12.79 | 11.36 | 10.4 | | | | | | |
| t 10 | 10 | 10 | 10 | 10 | 10 | 10 | 10 | | | | | | | |
| t 20 | 20 | 20 | 20 | 17.48 | 15.07 | 13.21 | 12 | | | | | | | |
| t 10 | 10 | 10 | 10 | 10 | 10 | | | | | | | | | |
| t 20 | 20 | 20 | 20 | 18.04 | 16 | | | | | | | | | |

Altre installazioni (I) **Autres implantations** (F) **Otras implantaciones** (E)
Other configurations (GB) **Aufstellungsmöglichkeiten** (D)



Torre **I** Tower **GB** Tour **F** Turm **D** Torre **E**

HD23



* (75 m - 80 m - 85 m)

- H** Altezza massima sotto gancio **I**
- In servizio
- ◊ Fuori servizio
- A vuoto, senza zavorra, braccio max., altezza max.

- H** Max. under hook height **GB**
- In service
- ◊ Out of service
- Without load, without ballast, max. jib and max. height

- H** Hauteur maxi. sous crochet **F**
- En service
- ◊ Hors service
- A vide, sans lest, avec flèche et hauteur maximum

- H** Höchste Hackenhöhe **D**
- In Betrieb
- ◊ Außer Betrieb
- Ohne Last und Ballast, mit Maximalausleger und Maximalhöhe

- H** Maxima altura bajo gancho **E**
- En servicio
- ◊ Fuera de servicio
- Sin carga, sin lastre, con pluma y altura máxima

Meccanismi **I** Mechanisms **GB** Mécanismes **F** Antriebe **D** Mecanismos **E**

| | | | |
|--|---------------------------|------------------------|--|
| | | | |
| | 67 AFC 100 110 AWL 100 | 154 * kVA 216 * kVA | 400 V - 50 Hz / 460 V - 60Hz 2000/14/CE |

* Gru senza traslazione / Crane without travelling equipment / Grue sans translation / Krane ohne Schienenfahren / Grúa sin traslación

| | | m/min | i | kW | | |
|--|--|-------|----------|-------|-----|-----------------------------------|
| | 67 AFC 100 (VECTOR) | | 0 ⇒ 34 | 10 | 67 | 460 m |
| | | | 0 ⇒ 41 | 8 | | |
| | | | 0 ⇒ 54 | 6 | | |
| | | | 0 ⇒ 77 | 4 | | |
| | | | 0 ⇒ 118 | 2.4 | | |
| | | | 0 ⇒ 17 | 20 | | |
| | | | 0 ⇒ 20.5 | 16 | | |
| | | | 0 ⇒ 27 | 12 | | |
| | | | 0 ⇒ 38.5 | 8 | | |
| | | | 0 ⇒ 59 | 4.8 | | |
| | 110 AWL 100 LLC D2 110 AWL 100 LLC D1 | | 0 ⇒ 46 | 10 | 110 | 630 m (LLC D2) 1140 m (LLC D1) |
| | | | 0 ⇒ 63 | 7.14 | | |
| | | | 0 ⇒ 86 | 5 | | |
| | | | 0 ⇒ 117 | 3.46 | | |
| | | | 0 ⇒ 131 | 0.6 | | |
| | | | 0 ⇒ 23 | 20 | | |
| | | | 0 ⇒ 31.5 | 14.28 | | |
| | | | 0 ⇒ 43 | 10 | | |
| | | | 0 ⇒ 58.5 | 6.92 | | |
| | | | 0 ⇒ 65.5 | 1.2 | | |

| | | | |
|--|----------------------|-----------------------|-----------|
| | DCC 5 112 D2 | 0 ⇒ 95 m/min | 11 kW |
| | SSR 4 4 80 | 0.73 r.p.m. | 4 × 80 Nm |
| | ▲ TSR 2RG 4M8 | 12 ⇒ 24 m/min (50 Hz) | 4 × 80 Nm |
| | ● TSR 4RG 4M8 | 14 ⇒ 28 m/min (60 Hz) | |
| | | | |

| | Max. H [m] | |
|----------------|------------|------|
| T ₁ | 54 | > 54 |
| T ₂ | 66 | > 66 |
| T ₃ | - | 90 |

| | | | | | | | | | | |
|--|--------------------------------|----------|--------------------------|-----------|------------------------------------|----------|--|----------|-----------------------------------|----------|
| | Sollevamento | I | Hoisting | GB | Levage | F | Heben | D | Elevación | E |
| | Traslazione carrello | | Trolleying | | Distribution | | Katzfahren | | Distribución | |
| | Rotazione | | Slewing | | Orientation | | Schwenken | | Orientación | |
| | Traslazione | | Travelling | | Translation | | Schienenfahren | | Traslación | |
| | Direttiva sul livello acustico | | Directive on noise level | | Directive sur le niveau acoustique | | Richtlinie für den Schall-Leistungspegel | | Directiva sobre el nivel acustico | |
| | Consultateci | | Consult us | | Nous consulter | | Auf Anfrage | | Consultarnos | |
| | Potenza totale richiesta | | Power requirements | | Puissance totale nécessaire | | Geforderte Stromstärke | | Potencia necesaria | |
| | Alimentazione | | Power supply | | Alimentation | | Stromversorgung | | Alimentación | |

Gru Comedil s.r.l.

A Terex Company



Via S. Egidio 42/A, 33074 Fontanafredda (PN) - Italy
Tel. (+39) 0434 567 311 - Telefax (+39) 0434 998631

Internet e-mail: info@comedil.com
Internet home page: www.comedil.com

Divisione Automontanti

Via Alessandrina, 25 - 20095 Cusano Milanino (MI) - Italy
Tel. (+39) 02 613 16011 - Telefax (+39) 02 613 16034

Internet e-mail: info.CBR@comedil.com