



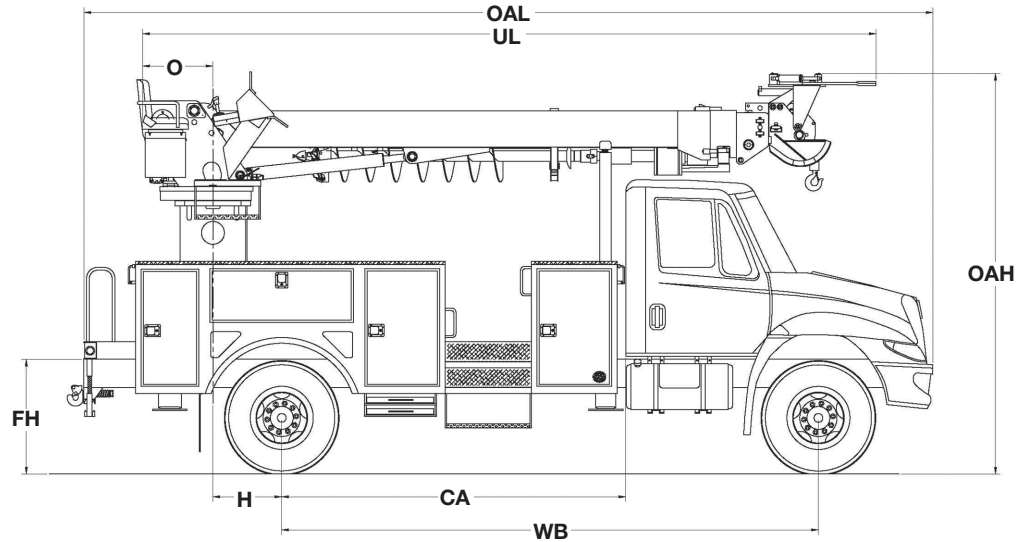
TEREX®

Utilities

COMMMANDER 4000 SERIES

DIGGER DERRICK

Terex Telelect Digger Derricks are known throughout the industry. They come with a long history featuring quality and innovative design and features.



Measurements	Commander 4042			Commander 4045			Commander 4047			Commander 4050		
	ORA	BC	CMT	ORA	BC	CMT	ORA	BC	CMT	ORA	BC	CMT
<i>(Minimum Recommendations)</i>												
Frame Height (FH)		40 in. (101.6 cm)		40 in. (101.6 cm)			40 in. (101.6 cm)			40 in. (101.6 cm)		
Offset (O)		24.5 in. (62.2 cm)		24.5 in. (62.2 cm)			24.5 in. (62.2 cm)			24.5 in. (62.2 cm)		
Overall Height (OAH)	11' 2" (3.4 m)	11' 8" (3.6 m)	11' 2" (3.4 m)	11' 2" (3.4 m)	11' 8" (3.6 m)	11' 2" (3.4 m)	11' 2" (3.4 m)	11' 8" (3.6 m)	11' 2" (3.4 m)	11' 2" (3.4 m)	11' 8" (3.6 m)	11' 2" (3.4 m)
Overall Length (OAL)	22' 6.5" (6.9 m)	29' 1" (8.9 m)	23' 1" (7.0 m)	23' 11" (7.3 m)	30' 1" (9.2 m)	23' 7" (7.2 m)	25' 6.5" (6.9 m)	32' 1" (9.8 m)	24' 7" (7.5 m)	25' 6.5" (6.9 m)	32' 1" (9.8 m)	24' 7" (7.5 m)
Unit Length (UL)		20' 4" (6.2 m)			21' 4" (6.5 m)			23' 4" (7.1 m)			23' 4" (7.1 m)	
Center of Rotation (H)	24 in. (61 cm)	85.5 in. (217.2 cm)	44 in. (111.8 cm)	24 in. (61 cm)	97.5 in. (247.7 cm)	44 in. (111.8 cm)	24 in. (61 cm)	115.5 in. (293.4 cm)	44 in. (111.8 cm)	24 in. (61 cm)	115.5 in. (293.4 cm)	44 in. (111.8 cm)
Cab to Axle (CA)	102 in. (259.1 cm)	108 in. (274.3 cm)	102 in. (259.1 cm)	108 in. (274.3 cm)	120 in. (305 cm)	108 in. (274.3 cm)	120 in. (305 cm)	138 in. (350.5 cm)	120 in. (305 cm)	120 in. (305 cm)	138 in. (350.5 cm)	120 in. (305 cm)
Wheel Base (WB)	174 in. (442 cm)	180 in. (457.2 cm)	174 in. (442 cm)	180 in. (457.2 cm)	192 in. (487.7 cm)	180 in. (457.2 cm)	192 in. (487.7 cm)	210 in. (533.4 cm)	192 in. (487.7 cm)	192 in. (487.7 cm)	210 in. (533.4 cm)	192 in. (487.7 cm)
Front Axle (GAWR)		9,000 lb. (4,082 kg)			12,000 lb. (5,443 kg)			12,000 lb. (5,443 kg)			12,000 lb. (5,443 kg)	
Rear Axle (GAWR)		19,000 lb. (8,618 kg)			19,000 lb. (8,618 kg)			19,000 lb. (8,618 kg)			19,000 lb. (8,618 kg)	
Gross Vehicle Weight Rating (GVWR)		28,000 lb. (12,701 kg)			31,000 lb. (14,061 kg)			31,000 lb. (14,061 kg)			31,000 lb. (14,061 kg)	
Recommend Weight For Stability		25,000 lb. (11,340 kg)			25,000 lb. (11,340 kg)			25,500 lb. (11,567 kg)			25,500 lb. (11,567 kg)	
Frame Section Modulus		18.0 in ³			18.0 in ³			18.0 in ³			18.0 in ³	
Frame Yield Strength		50,000 psi			50,000 psi			50,000 psi			50,000 psi	
Frame RBM		900,000 in-lbs			900,000 in-lbs			900,000 in-lbs			900,000 in-lbs	



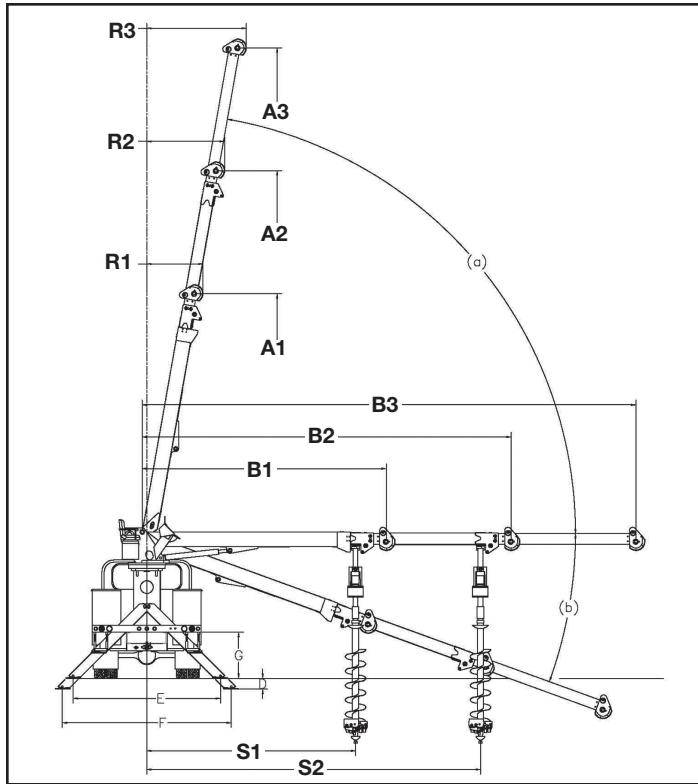
TEREX®
Utilities

500 Oakwood Drive
PO BOX 1150
Watertown, SD 57201-6150
USA

Phone: (605) 882-4000
Facsimile: (605) 882-1842
www.terexutilities.com
E-mail: sales@terexutilities.com

Distributed By:

COMMANDER 4000 SERIES



STANDARD EQUIPMENT

- 100 Degrees of Boom Travel (+80 to -20)
- 50 Gallon Hydraulic Oil Reservoir
- Boom Angle Indicator
- Boom Interlock
- Box Fabricated Steel Lower Boom and Intermediate
- Continuous Unrestricted Rotation
- Custom Made Zoned Load Chart
- Dual Handle Rack Controls
- Dual Lift Cylinders
- Fiberglass Hydraulic Upper Boom
- Full Pressure Hydraulic Controls
- Meets or Exceeds ANSI A10.31
- Open Center Hydraulic System
- Outrigger Moving Alarm
- Self-Aligning Swivel Ball Bushings
- Steel Hydraulic Intermediate
- Truck Angle Indicator
- Transferable Pole Buddy
- 15,000 lb. Turntable Winch

CAPACITIES & DIMENSIONAL DATA

Model	Maximum Capacity	Capacity @ 10 ft. Radius	Load Radius			Sheave Height			Horizontal Reach			Digging Radius	
			R1	R2	R3	A1	A2	A3	B1	B2	B3	S1	S2
CMDR 4042 Boom Tip Winch	23,350 lb (10,592 kg)	11,250 lb (5,103 kg)	3.4 ft (1.0 m)	4.8 ft (1.5 m)	5.6 ft (1.7 m)	25.8 ft (7.9 m)	33.7 ft (10.3 m)	41.9 ft (12.8 m)	15.6 ft (4.8 m)	23.6 ft (7.2 m)	31.8 ft (9.7 m)	14.0 ft (4.3 m)	22.0 ft (6.7 m)
CMDR 4045 TM Winch	27,500 lb (12,474 kg)	11,500 lb (5,216 kg)	3.1 ft (0.9 m)	4.7 ft (1.4 m)	6.3 ft (1.9 m)	27.7 ft (8.4 m)	36.6 ft (11.2 m)	45.5 ft (13.9 m)	17.5 ft (5.3 m)	26.5 ft (8.1 m)	35.5 ft (10.8 m)	15.0 ft (4.6 m)	24.0 ft (7.3 m)
Boom Tip Winch	22,250 lb (10,093 kg)	10,900 lb (4,944 kg)	3.6 ft (1.9 m)	5.2 ft (1.6 m)	6.1 ft (1.9 m)	26.8 ft (8.2 m)	35.7 ft (10.9 m)	44.8 ft (13.7 m)	16.6 ft (5.1 m)	25.6 ft (7.8 m)	34.8 ft (10.6 m)	15.0 ft (4.6 m)	24.0 ft (7.3 m)
CMDR 4047 TM Winch	24,750 lb (11,227 kg)	11,000 lb (4,990 kg)	3.5 ft (1.1 m)	5.1 ft (1.6 m)	6.7 ft (2.0 m)	29.7 ft (9.1 m)	38.6 ft (11.8 m)	47.4 ft (14.4 m)	19.5 ft (5.9 m)	28.5 ft (8.7 m)	37.5 ft (11.4 m)	17.0 ft (5.2 m)	26.0 ft (7.9 m)
Boom Tip Winch	20,350 lb (9,231 kg)	10,400 lb (4,717 kg)	4.0 ft (1.2 m)	5.5 ft (1.7 m)	6.5 ft (2.0 m)	28.8 ft (8.8 m)	37.6 ft (11.5 m)	46.8 ft (14.3 m)	18.6 ft (5.7 m)	27.6 ft (8.4 m)	36.8 ft (11.2 m)	17.0 ft (5.2 m)	26.0 ft (7.9 m)
CMDR 4050 TM Winch	24,600 lb (11,159 kg)	11,000 lb (4,990 kg)	3.5 ft (2.2 m)	5.3 ft (1.6 m)	7.2 ft (2.2 m)	29.7 ft (9.1 m)	40.0 ft (12.2 m)	50.4 ft (15.4 m)	19.5 ft (5.9 m)	30.0 ft (9.1 m)	40.5 ft (12.3 m)	17.0 ft (5.2 m)	27.5 ft (8.4 m)

OPTIONAL EQUIPMENT

- Diggers/Augers
- Fiberglass Personnel Platform
- Full Pressure Upper Controls
- Hydraulic Overload Protection (HOP)
- Material Handling Jibs
- Pole Puller
- Pole Guide
- Various Types of Outriggers
- Auger Storage on Right Side
- Boom Tip Winch
- Command Post Operator Controls
- Hydraulic Tool Outlets at Upper Controls
- Manual Fiberglass 4th Section (Adds 4 Feet)
- Multi-Part Line Components
- Planetary Slip Brake Rotation
- Radio Remote Controls
- Single Stick "T" Control
- Start/Stop and Throttle Advance at Top Controls
- Various Types of Controls
- Corner Mount Derrick

Effective Date: March 1, 2007. Product specifications and prices are subject to change without notice or obligation. The photographs and/or drawings in this document are for illustrative purposes only. Refer to the appropriate Operator's Manual for instructions on the proper use of this equipment. Failure to follow the appropriate Operator's Manual when using our equipment or to otherwise act irresponsibly may result in serious injury or death. The only warranty applicable to our equipment is the standard written warranty applicable to the particular product and sale and Terex makes no other warranty, express or implied. Products and services listed may be trademarks, service marks or trade-names of Terex Corporation and/or its subsidiaries in the USA and other countries and all rights are reserved. "TEREX" is a registered trademark of Terex Corporation in the USA and many other countries. Copyright © 2007 Terex Corporation.