

CRJ3054 PORTABLE JAW PRIMARY PLANT



STANDARD FEATURES

JS3054 Jaw Crusher

- ▶ Easy removal jaw die wedge system
- ▶ Quick adjust jaw settings
 - Integrated hydraulic assist shim system
 - Hydraulic release toggle seat
- ▶ Drop-forged heat-treated 4340 chrome-nickel-steel eccentric shaft
 - Enlarged diameter with compound geometry
- ▶ 200 hp (149 kW), 1200 rpm electric crusher drive motor
- ▶ Pivoting motor base with tool-free ratchet drive adjustment system

5220-15 Vibrating Grizzly Feeder

- ▶ Removable hopper module with 3/4" (19 mm) AR 400 sides
- ▶ Adjustable action vibrator unit with pivot base motor mounting
- ▶ Heavy coil springs with removable spring brackets
- ▶ Six sloped bolt-in grizzly bars with 4" (102 mm) nominal opening
- ▶ Bypass chute diverts grizzly fines to undercrusher conveyor
- ▶ Rubber side curtains

Undercrusher Conveyor

- ▶ Tail section lowers for operation, raises for transport via manual ratchet
- ▶ Straight-line conveyor design
- ▶ Adjustable discharge height
- ▶ Shaft mount gear box and TEFC motor
- ▶ Impact bars under jaw and grizzly bypass
- ▶ 3-ply conveyor belt with vulcanized splice

Main Frame with Quad Axle

- ▶ Straight beam chassis with kingpin, under-frame mounted axles, spring suspension, air brakes, travel lights and splash guards
- ▶ Jaw mount vibration isolation pads
- ▶ Emergency stops on both sides of chassis
- ▶ Sixteen 10-hole Budd wheels
- ▶ Adjustable kingpin support legs
- ▶ Service and observation platforms with fold-down hand rails
- ▶ Remote grease lines
- ▶ Lockable side-mounted storage box

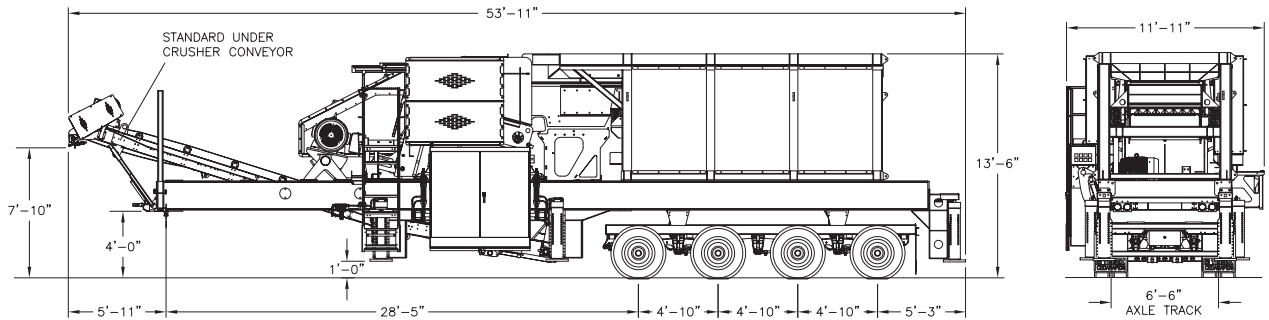
OPTIONAL EQUIPMENT

- ▶ Removable electrical switchgear panel, wiring and operator push-button station, manual ratchet panel lift system
- ▶ Hydraulic lift system for switchgear panel
- ▶ Tethered remote feeder control
- ▶ Quick disconnect power cables
- ▶ Hinged, 30" (762 mm) hopper extensions with locking supports accessible from the ground, available with hydraulic operation
- ▶ 24' (7315 mm) long feeder/hopper (versus 20')
- ▶ Rock breaker with tethered remote and single point lubrication
- ▶ Grizzly reject cross conveyor
- ▶ Various grizzly bar spacing
- ▶ Two-piece drop-on side bulkheads
- ▶ Hydraulic undercrusher conveyor tail lift system
- ▶ Extended length discharge conveyor with hydraulic fold
- ▶ Dust suppression water spray system
- ▶ Cross belt self cleaning magnet
- ▶ Belt scale
- ▶ Hydraulic leveling/run-on jacks (gas, 12V, or 24V in hinged enclosure)
- ▶ Triple axles or 3+1 axles (triple + tag)
- ▶ Oversize 315 80R x 22.5 tires

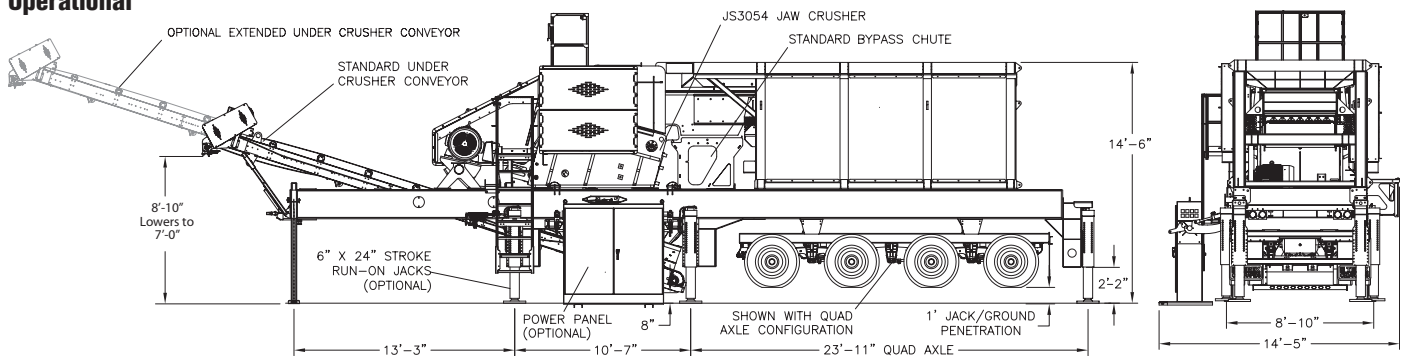
SPECIFICATIONS

Terex® Minerals Processing Systems Cedarapids CRJ3054 Portable Jaw Primary Plant

Transport



Operational



SPECIFICATIONS

Jaw Crusher.....	30" x 54" (762 x 1371 mm)
operating speed.....	250 rpm
Conveyor.....	54" (1372 mm)
operating speed.....	350 fpm
Cross conveyor (optional)	30" (762 mm)
Feeder.....	52" x 20' (1321 x 6096 mm)
operating speed.....	variable speed 600-800 rpm
Bolted bar grizzly	60" (1524 mm) long x 4" (102 mm) avg. opening
AR pan liners	1/2" (12.7 mm)
Horsepower	
Jaw.....	200 (149 kW)
Feeder	40 (30 kW)
Conveyor	20 (15 kW)
Cross conveyor (optional)	5 (3.7 kW)
Self-cleaning magnet (optional)	1.5 (1 kW)
Dust suppression pump (optional)	3/4 (.5 kW)

Tires.....	Sixteen 295 75R x 22.5
Estimated weight of plant with hopper module*	
Rear axle.....	75,100 lbs (34,065 kg)
Kingpin	47,200 lbs (21,410 kg)
Total	122,300 lbs (55,475 kg)
Estimated weight of plant without hopper module*	
Rear axle.....	49,800 lbs (22,590 kg)
Kingpin	45,450 lbs (20,615 kg)
Total	95,250 lbs (43,205 kg)
Estimated weight of hopper module	27,050 lbs (12,270 kg)

* Weights include optional switchgear, jacks and hydraulics.
Contact factory for weights of other optional equipment.

www.terexmps.com

Effective Date: October 2012. Product specifications and prices are subject to change without notice or obligation. The photographs and/or drawings in this document are for illustrative purposes only. Refer to the appropriate Operator's Manual for instructions on the proper use of this equipment. Failure to follow the appropriate Operator's Manual when using our equipment or to otherwise act irresponsibly may result in serious injury or death. The only warranty applicable to our equipment is the standard written warranty applicable to the particular product and sale and Terex makes no other warranty, express or implied. Products and services listed may be trademarks, service marks or trade-names of Terex Corporation and/or its subsidiaries in the USA and other countries. All rights are reserved. Terex is a registered trademark of Terex Corporation in the USA and many other countries. © 2012 Terex Corporation.

Terex® Minerals Processing Systems, 909 17th Street NE, Cedar Rapids, IA 52402 USA
Tel +1 319 363 3511 Fax +1 319 399 4871 www.terexmps.com

Form 25732 (10/12)



WORKS FOR YOU.

Courtesy of Machine.Market