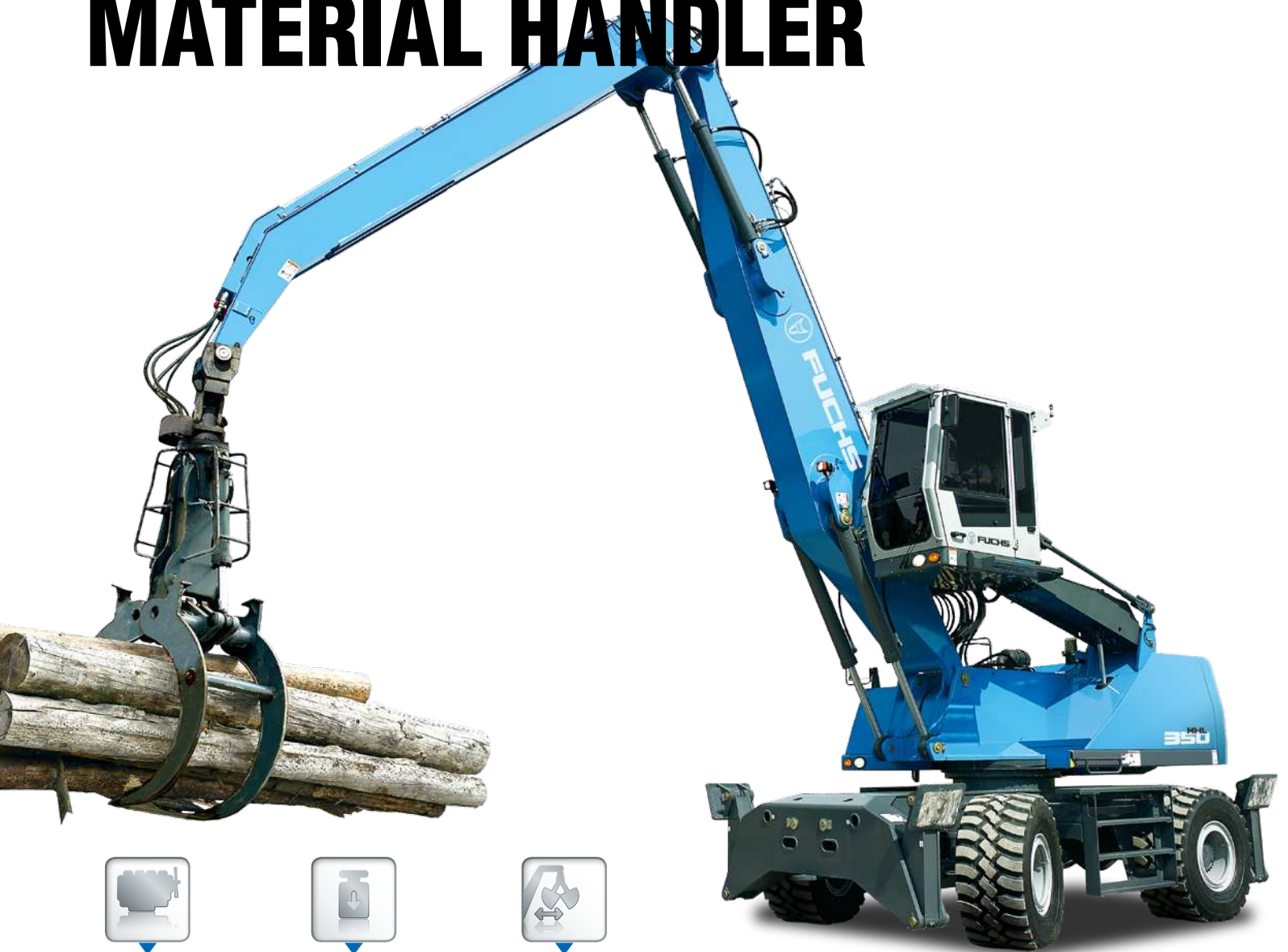




FUCHS
A TEREX BRAND

MHL350 F HD-SERIES

TECHNICAL DATA MHL 350 F HD MATERIAL HANDLER



214 hp



78,925–87,303 lbs



up to 52'5"

WORKS FOR YOU.™

Courtesy of Crane.Market





TECHNICAL DATA

OPERATING WEIGHT

MHL350 F HD	78,925–87,303 lbs
-------------	-------------------

ENGINE

Manufacturer & model	Deutz TCD 6.1 L6
Type	6-cylinder inline engine
Engine control	EEC IV
Engine operation	4-stroke diesel, common rail open-combustion-chamber injection, turbocharger, controlled exhaust gas recirculation, diesel particle filter with automatic regeneration
Power	214 hp
Nominal speed	2,000 rpm
Displacement	372 cui
Cooling system	Coolant and charge air cooling, with temperature controlled fan speed
Exhaust emission standard	Stage Tier 4f
Air filtration	Two-stage filter with relief valve

ELECTRICAL SYSTEM

Voltage	24 V
Batteries	2 x 12 V / 100 Ah / 760 A (as per EN)
Alternator	28 V / 100 A
Starter	24 V / 4.0 kW
Lights	1 x H3 headlamp on uppercarriage 1 x H3 headlamp on cab floor rear marker lights and flashers: optional additional working floodlights H3 / LED / XENON

HYDRAULIC SYSTEM

Main pump	Adjustable double displacement pump in an open circuit
Max. pump flow	2 x 87 gal/min
Max. pressure	5,148 psi
Auxiliary pumps	Gear pumps in the open circuit for supplying auxiliary loads
Oil cooler	Fan speed thermostatically controlled
Hydraulic oil filter	Return line filter, bypass flow filter for working equipment optional

TRANSMISSION

Variable speed hydraulic motor with travel brake valve. 2-speed power shift transmission; 4-wheel drive.

Travel speed	1st gear: max. 2.5 mph 2nd gear: max. 9.9 mph
Max. traction force	116,534 lbf ft
Turning radius	31'2"

SWING DRIVE

Slewing ring with inner gear teeth. Drive via planetary gears. Integrated disk brakes, electrically powered

Swing speed	0–7 rpm
Swing range	360° unrestricted
Max. torque	59,005 lbf ft

UNDERCARRIAGE

Front axle	Planetary steering drive axle with integrated wet, maintenance-free multi-disk brakes, with self-aligning bearing and switchable locking mechanism, max. steering angle 30°
Rear axle	Planetary drive axle with integrated wet, maintenance-free multi-disk brakes, rigid mounting
Stabilization	4-point outrigger
Tires	Depending on the model: Single pneumatic tire

BRAKING SYSTEM

Service brake	Hydraulically operated dual-circuit service braking system with multi-disk brakes. Third-party braking system actuated by pedal, applied to all four wheels, lockable
Parking brake	Electrically/hydraulically actuated, integrated in power shift transmission

OPERATOR'S CAB

Elastically supported, infinitely variable hydraulically height-adjustable with max. eye level of 18'4". Sound-insulated; heat-insulating glass panoramic windows for optimum all-around view; windshield with pull-down sunblind that slides under the cab roof; viewing window on cab roof; sliding window in cab door; height and tilt-adjustable steering column

Air-conditioning	Automatic air conditioning, reheating function. Hot water heating with variable temperature setting and multi-level blower, adjustable defroster nozzles
Operator's seat	Air-cushioned comfort seat with integrated headrest, safety belt and lower lumbar support, with integrated air conditioning. Multi adjustable seat provides comfortable operation and access to controls.
Monitoring	Ergonomically positioned, glare resistant instrument cluster, multifunction display, automatic monitoring and saving functions for deviating operating conditions (e.g. all hydraulic oil filters, oil temperature indicator, coolant temperature and charge air cooler, coolant level, loading diesel particulate filter), optic and audible warning until the pilot control is shut down or the engine power is reduced. Diagnostics for the individual sensors via the multifunction display, Rear view camera
Sound levels	$L_{W(A)} = 101$ dB(A) (guaranteed) in accordance with guideline 2000/14/EC, required in accordance with 2000/14/EC = 104 dB(A)

EQUIPMENT

ENGINE	STANDARD	OPTION
Exhaust gas turbocharger	●	
Intercooling	●	
Direct electronic fuel injection / Common Rail	●	
Automatic idle	●	
Engine pre-heating		●
Engine diagnostics interface	●	
Temperature-controlled fan drive	●	
Zyklon pre-separator for air-filter		●

UNDERCARRIAGE

All-wheel drive	●	
All wheel drive with differential	●	
2-speed manual transmission	●	
2-speed powershift transmission		●
4-point stabilizers	●	
4-point stabilizers, individually controllable		●
Rear axle oscillating lock	●	
Drum brakes	●	
Toolbox		●

UPPERCARRIAGE

Electrical refueling pump		●
Lighting protection		●
Maintenance hood, actuated by gas spring	●	
Cleaning access openings on radiators	●	
Separate cooling system for ambient temperatures up to 50°C / 122°F	●	
Central lubrication system, automatic	●	
Rear view camera	●	
Drive alarm with flashing beacon		●
Quick drain valve on diesel tank	●	
Quick drain valve on hydraulic oil tank	●	
Quick drain valve on water cooler	●	
Quick drain valve on engine-oil pan	●	
Reversible fan for engine and hydraulic oil cooler		●
Separate oil cooler with temperature controlled fan drive	●	

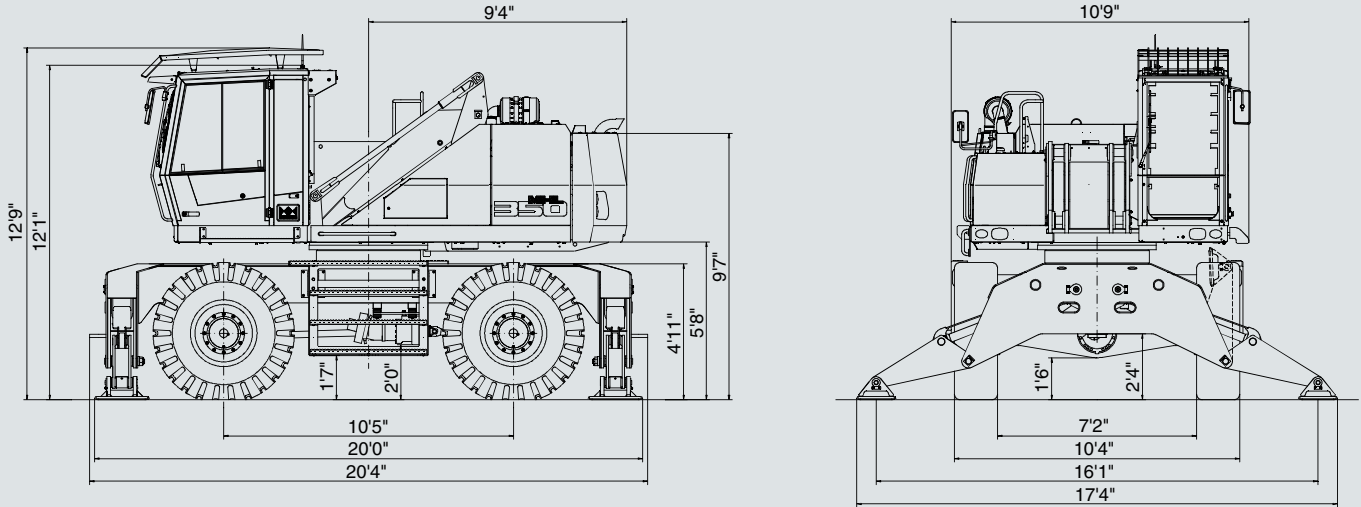
CAB	STANDARD	OPTION
Cab elevation system	●	
Cab protection guard	●	
Air cushioned operator's seat with low-frequency damping, headrest, safety belt and lumbar-support	●	
Seat heating with integrated a/c function		●
FOPS protective grating		●
Air conditioning	●	
Multi functional joysticks	●	
Armoured glas (windscreen and roof panel)		●
3-layer glass with protection film	●	
Powder fire extinguisher		●
Joystick steering		●
Protective grills to front and roof	●	
Automatic engine shutdown		●
Rotating beacon		●
Voltage converter 12 V		●
12 V socket		●
Fuchs Telematics System		●
Sliding window in cab door	●	
Pre-heating system		●
Radio 24 V (CD)		●
Windscreen wiper for lower windscreen	●	

OTHER EQUIPMENT

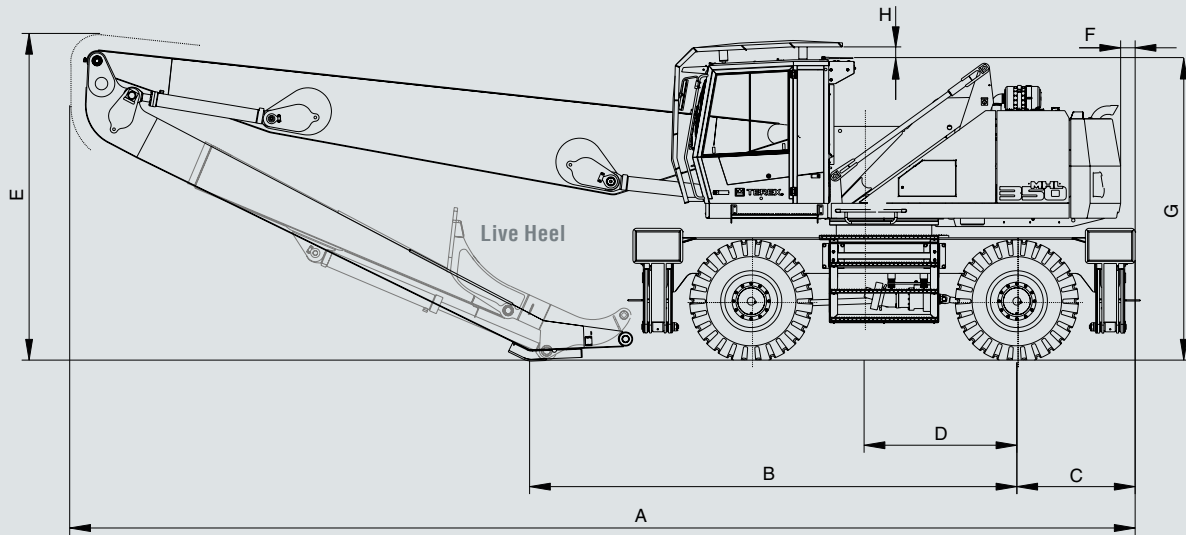
2 × H3 headlamps at machine front for traveling	●	
3 × H3 / XENON / LED floodlights (2 on rear of machine, 1 right hand side)		●
Hydraulic oil preheating		●
Close-range limiter for dipper stick	●	
Thermostatic monitoring of coolant and hydraulic fluid temperatures	●	
Coolant and hydraulic oil level monitoring system	●	
Check valves for stick cylinder		●
Check valves for lift cylinder		●
Hydraulic cushioning system of the lift cylinders	●	
Lubrication of the grab suspension by the central lubrication system	●	
Overload warning/shut-off device		●
Quick-connect coupling on dipperstick	●	
H3 light packages		●
XENON light packages		●
LED light packages		●

Further optional equipment available on request!

DIMENSIONS MHL350 F HD



TRANSPORT DIMENSIONS MHL350 F HD



Dimensions	Reach 45'11" Dipper stick	Reach 49'2" Dipper stick	Reach 52'5" Dipper stick	Reach 42'7" Live Heel
A	38'4"	41'8"	42'1"	38'4"
B	18'0"	21'11"	19'3"	18'5"
C	4'8"	4'8"	4'8"	4'8"
D	5'6"	5'7"	6'	5'10"
E	11'1"	11'	12'11"	11'1"
F	6"	6"	6"	6"
G	12'0"	12'0"	12'	12'
H	7"	9"	9"	7"

WORKING RANGE

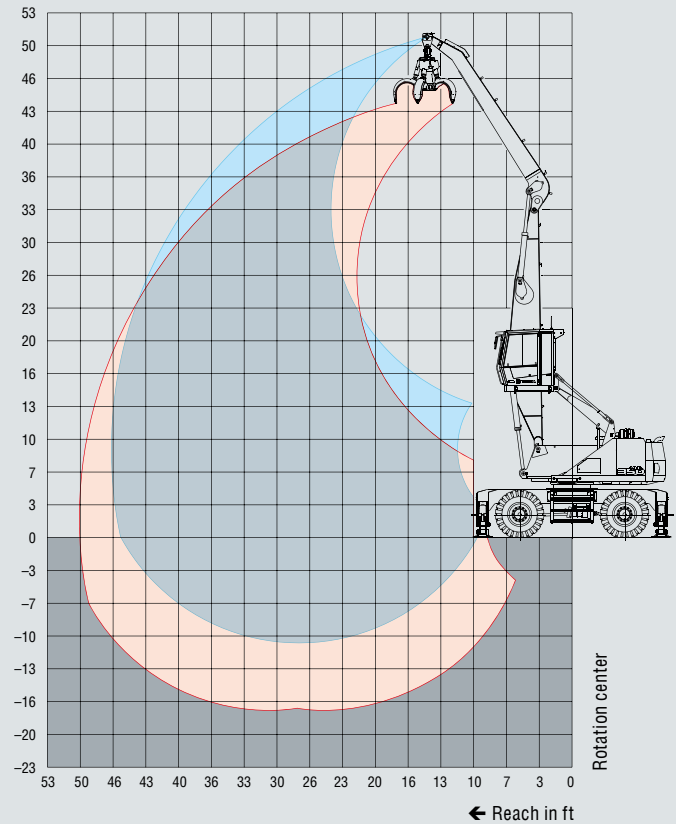
REACH 45'11" M WITH DIPPER STICK

Loading equipment	Box-type boom 23'11" Dipper stick 20'4" Cactus grab
--------------------------	---

RECOMMENDED ATTACHMENTS

Grab size	2.1 yd ² –2.9 yd ² Depending on mission requirements
------------------	---

The lift capacity values are stated in metric tons (t). The pump pressure is 360 bar. In accordance with ISO 10567 the lift capacity values represents 75% of the static tipping loads or 87% of the hydraulic lifting force (marked °). On solid and level ground the values apply to a swing range of 360°. The (...) values apply in the longitudinal direction of the undercarriage. The values for "not supported" only apply via the steering axle or the locked oscillating axle. The weights of the attached load hoisting equipment (grab, load hooks, etc.) must be deducted from the lift capacity values. The working load of the lifting device must be observed. In accordance with EU Standard EN 474-5 for object handling applications hose rupture valves on the boom and stick cylinders, an overload warning device and the lift capacity table in the cab are required. For object handling application the machine has to be supported on a level ground.



LIFTING CAPACITY

Height [ft]	Undercarriage outrigger	Reach [ft]						
		15	20	25	30	35	40	45
45	not supported			(10100°)				
	4-point supported			10100° (10100°)				
40	not supported			(13300°)	(10300°)			
	4-point supported			13300° (13300°)	10300° (10300°)			
35	not supported			(15000°)	(13100°)	(9600°)		
	4-point supported			15000° (15000°)	13100° (13100°)	9600° (9600°)		
30	not supported			(16500°)	(13500)	(10600)	(7600°)	
	4-point supported			16500° (16500°)	15600° (15600°)	12400° (12400°)	7600° (7600°)	
25	not supported			(17500°)	(13100)	(10500)	(8400)	
	4-point supported			17500° (17500°)	16300° (16300°)	14000° (14000°)	10600° (10600°)	
20	not supported		(21000°)	(17500)	(13100)	(10300)	(8200)	(6100°)
	4-point supported		21000° (21000°)	18700° (18700°)	18700° (18700°)	14400° (14400°)	12800° (12800°)	6100° (6100°)
15	not supported	(27800°)	(23600)	(16700)	(12600)	(10000)	(8100)	(6700)
	4-point supported	27800° (27800°)	25000° (25000°)	20200° (20200°)	17100° (17100°)	14800° (14800°)	12900° (12900°)	8000° (8000°)
10	not supported	(34000)	(21900)	(15800)	(12100)	(9600)	(7900)	(6600)
	4-point supported	40000° (40000°)	27900° (27900°)	21700° (21700°)	17800° (17800°)	15100° (15100°)	13000° (13000°)	9200° (9200°)
5	not supported	(17700°)	(20400)	(14900)	(11600)	(9300)	(7700)	(6500)
	4-point supported	17700° (17700°)	29800° (29800°)	22600° (22600°)	18200° (18200°)	15200° (15200°)	12800° (12800°)	9400° (9400°)
0	not supported	(12800°)	(19400)	(14300)	(11200)	(9100)	(7500)	(6400)
	4-point supported	12800° (12800°)	29600° (29600°)	22600° (22600°)	18000° (18000°)	14800° (14800°)	12200° (12200°)	8300° (8300°)
-5	not supported	(12800°)	(18900)	(13900)	(10900)	(8900)	(4500)	
	4-point supported	12800° (12800°)	25200° (25200°)	21300° (21300°)	17000° (17000°)	13800° (13800°)	10900° (10900°)	
-10	not supported			(13800)	(10800)			
	4-point supported			18600° (18600°)	14900° (14900°)			
								Max. Reach 45'11"
8.9	not supported							(5800°)
	4-point supported							5800° (5800°)

WORKING RANGE

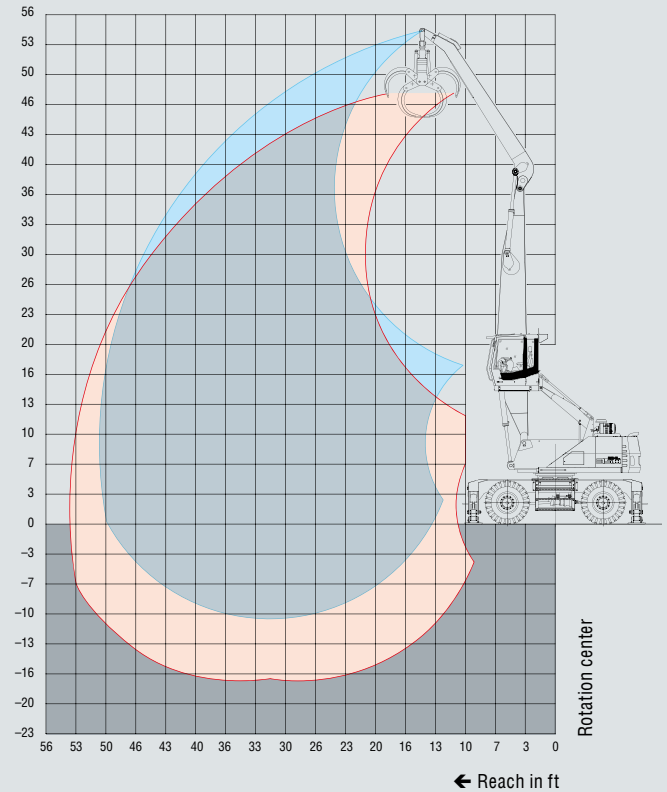
REACH 49'2" WITH DIPPER STICK

Loading equipment	Box-type boom 27'10"
	Dipper stick 20'4"
	Cactus grab

RECOMMENDED ATTACHMENTS

Grab size	2.1 yd ² -2.9 yd ² Depending on mission requirements
------------------	---

The lift capacity values are stated in metric tons (t). The pump pressure is 360 bar. In accordance with ISO 10567 the lift capacity values represents 75% of the static tipping loads or 87% of the hydraulic lifting force (marked °). On solid and level ground the values apply to a swing range of 360°. The (...) values apply in the longitudinal direction of the undercarriage. The values for "not supported" only apply via the steering axle or the locked oscillating axle. The weights of the attached load hoisting equipment (grab, load hooks, etc.) must be deducted from the lift capacity values. The working load of the lifting device must be observed. In accordance with EU Standard EN 474-5 for object handling applications hose rupture valves on the boom and stick cylinders, an overload warning device and the lift capacity table in the cab are required. For object handling application the machine has to be supported on a level ground.



LIFTING CAPACITY

Height [ft]	Undercarriage outrigger	Reach [ft]								
		15	20	25	30	35	40	45	50	
50	not supported			(9558°)						
	4-point supported			9558° (9558°)						
45	not supported			(13035°)	(10335°)					
	4-point supported			13035° (13035°)	10335° (10335°)					
40	not supported			(14798°)	(13041°)	(10163°)				
	4-point supported			14798° (14798°)	11210 (13041°)	8469 (10163°)				
35	not supported			(16212°)	(13655)	(10484)	(8210)			
	4-point supported			15230 (16212°)	11225 (14619°)	8542 (12792°)	6597 (9149°)			
30	not supported			(17054°)	(13462)	(10381)	(8199)	(6536)		
	4-point supported			14949 (17054°)	11038 (14840°)	8443 (13158°)	6587 (11801°)	5158 (6629°)		
25	not supported			(17578)	(13079)	(10140)	(8067)	(6512)		
	4-point supported			14389 (17851°)	10669 (15302°)	8208 (13401°)	6458 (11894°)	5135 (9522°)		
20	not supported		(23589°)	(16701)	(12531)	(9792)	(7853)	(6403)		
	4-point supported		19249 (23589°)	13550 (18972°)	10139 (15926°)	7870 (13733°)	6249 (12035°)	5028 (10599°)		
15	not supported	(34203)	(21824)	(15609)	(11871)	(9376)	(7592)	(6251)	(5203)	
	4-point supported	26611 (37052°)	17371 (26003°)	12504 (20198°)	9502 (16578°)	7466 (14061°)	5994 (12156°)	4880 (10566°)	4002 (5986°)	
10	not supported	(11099°)	(19755)	(14482)	(11192)	(8946)	(7318)	(6087)	(5132)	
	4-point supported	11099° (11099°)	15418 (27860°)	11425 (21152°)	8845 (17062°)	7048 (14267°)	5727 (12171°)	4719 (10425°)	3932 (6962°)	
5	not supported	(6750°)	(18219)	(13543)	(10595)	(8558)	(7068)	(5938)	(5071)	
	4-point supported	6750° (6750°)	13968 (20337°)	10525 (21418°)	8269 (17162°)	6671 (14213°)	5484 (11979°)	4573 (10086°)	3872 (6942°)	
0	not supported	(7287°)	(15087°)	(12918)	(10155)	(8259)	(6874)	(5829)		
	4-point supported	7287° (7287°)	13202 (15087°)	9927 (20728°)	7844 (16690°)	6380 (13762°)	5294 (11465°)	4466 (9431°)		
-5	not supported		(14474°)	(12603)	(9897)	(8074)	(6760)	(5784)		
	4-point supported		12941 (14474°)	9626 (18998°)	7595 (15505°)	6201 (12772°)	5182 (10489°)	4422 (8287°)		
-10	not supported				(9815)	(8014)				
	4-point supported				7515 (13486°)	6143 (11089°)				

WORKING RANGE

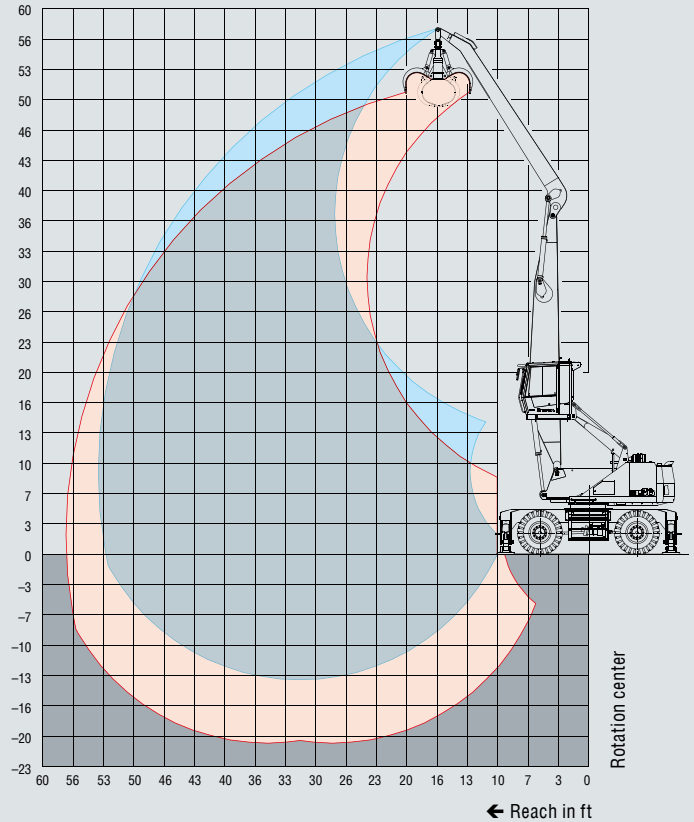
REACH 52'5" WITH DIPPER STICK

Loading equipment	Box-type boom 27'10"
	Dipper stick 23'7"
	Cactus grab

RECOMMENDED ATTACHMENTS

Grab size	2.1 yd ² -2.9 yd ² Depending on mission requirements
------------------	---

The lift capacity values are stated in metric tons (t). The pump pressure is 360 bar. In accordance with ISO 10567 the lift capacity values represents 75% of the static tipping loads or 87% of the hydraulic lifting force (marked °). On solid and level ground the values apply to a swing range of 360°. The (...) values apply in the longitudinal direction of the undercarriage. The values for "not supported" only apply via the steering axle or the locked oscillating axle. The weights of the attached load hoisting equipment (grab, load hooks, etc.) must be deducted from the lift capacity values. The working load of the lifting device must be observed. In accordance with EU Standard EN 474-5 for object handling applications hose rupture valves on the boom and stick cylinders, an overload warning device and the lift capacity table in the cab are required. For object handling application the machine has to be supported on a level ground.



LIFTING CAPACITY

Height [ft]	Undercarriage outrigger	Reach [ft]							
		15	20	25	30	35	40	45	50
50	not supported			(10,000°)	(8,000°)				
	4-point supported			10,800° (10,800°)	8,200° (8,200°)				
45	not supported				(10,800°)	(8,400°)			
	4-point supported				10,800° (10,800)	8,400° (8,400°)			
40	not supported				(12,200°)	(10,500°)	(7,800°)		
	4-point supported				12,200° (12,200°)	10,500° (10,500°)	7,800° (7,800°)		
35	not supported				(13,400°)	(10,900)	(8,500)	(6,400)	
	4-point supported				13,400° (13,400°)	12,100° (12,100°)	10,000° (10,000°)	6,400° (6,400°)	
30	not supported				(13,900°)	(10,700)	(8,400)	(6,700)	
	4-point supported				13,900° (13,900)	12,400° (12,400°)	11,200° (11,200°)	8,700° (8,700°)	
25	not supported			(16,400°)	(13,500)	(10,400)	(8,300)	(6,600)	(5,400)
	4-point supported			16,400° (16,400°)	14,300° (14,300°)	12,700° (12,700°)	11,300° (11,300°)	10,200° (10,200°)	6,000° (6,000°)
20	not supported			(17,400)	(12,900)	(10,000)	(8,000)	(6,500)	(5,300)
	4-point supported			17,600° (17,600°)	15,500° (15,500°)	13,000° (13,000°)	11,500° (11,500°)	10,200° (10,200°)	7,700° (7,700)
15	not supported	(26,400°)	(23,100)	(16,200)	(12,200)	(9,500)	(7,700)	(6,300)	(5,200)
	4-point supported	26,400° (26,400°)	23,800° (23,800°)	18,900° (18,900°)	15,700° (15,700)	13,400° (13,400°)	11,700° (11,700°)	10,300° (10,300°)	9,000° (9,000°)
10	not supported	(31,900)	(20,700)	(14,900)	(11,400)	(9,000)	(7,300)	(6,000)	(5,100)
	4-point supported	38,000° (38,000°)	26,200° (26,200°)	20,100° (20,100°)	16,300° (16,300°)	13,700° (13,700°)	11,800° (11,800°)	10,300° (10,300°)	8,800° (8,800°)
5	not supported	(10,600°)	(18,600)	(13,700)	(10,600)	(8,500)	(7,000)	(5,800)	(4,900)
	4-point supported	10,600° (10,600°)	27,500° (27,500°)	20,800° (20,800°)	16,700° (16,700°)	13,900° (13,900°)	11,800° (11,800°)	10,100° (10,100°)	8,500° (8,500°)
0	not supported	(8,400°)	(17,300)	(12,800)	(10,000)	(8,100)	(6,700)	(5,700)	(4,800)
	4-point supported	8,400° (8,400°)	19,000° (19,000°)	20,700° (20,700°)	16,600° (16,600°)	13,700° (13,700°)	11,500° (11,500°)	9,700° (9,700°)	7,900° (7,900°)
-5	not supported	(8,800°)	(15,600°)	(12,300)	(9,600)	(7,800)	(6,500)	(5,500)	(4,800)
	4-point supported	8,800° (8,800°)	15,600° (15,600°)	19,600° (19,600°)	15,800° (15,800°)	13,000° (13,000°)	10,800° (10,800°)	8,900° (8,900°)	6,900° (6,900°)
-10	not supported		(15,200°)	(12,000)	(9,400)	(7,700)	(6,400)		
	4-point supported		15,200° (15,200°)	17,600° (17,600°)	14,400° (14,400°)	11,800° (11,800°)	9,700° (9,700°)		
									Max. Reach 53'
9	not supported								(4,400°)
	4-point supported								4,400° (4,400°)

WORKING RANGE

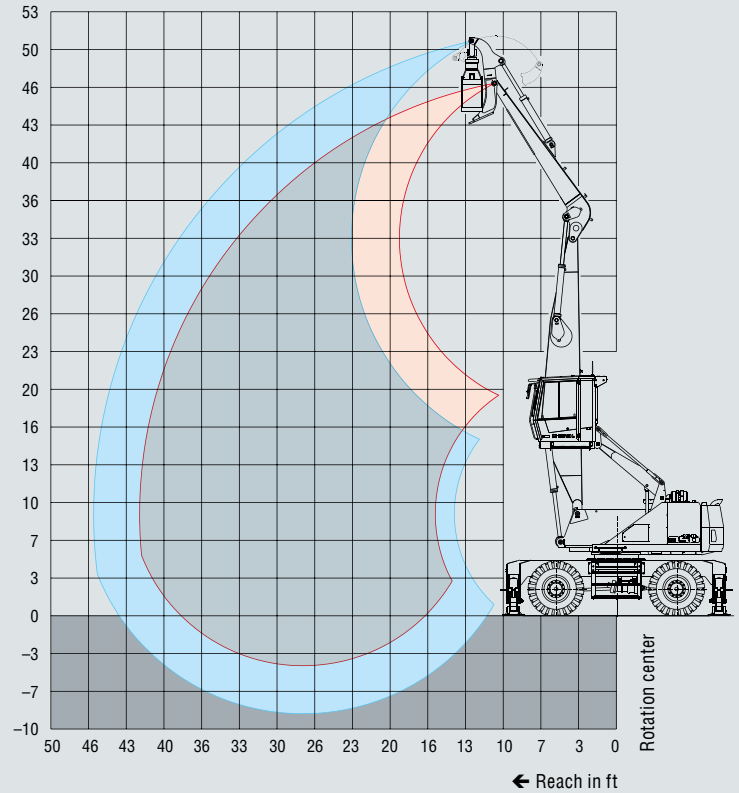
REACH 41'4" WITH LIVE HEEL STICK

Loading equipment	Box-type boom 23'11"
	Dipper stick 15'1"
	Live Heel Boom

RECOMMENDED ATTACHMENTS

Grab size	2.1 yd ² –2.9 yd ² Depending on mission requirements
------------------	---





The lift capacity values are stated in metric tons (t). The pump pressure is 360 bar. In accordance with ISO 10567 the lift capacity values represents 75% of the static tipping loads or 87% of the hydraulic lifting force (marked °). On solid and level ground the values apply to a swing range of 360°. The (...) values apply in the longitudinal direction of the undercarriage. The values for "not supported" only apply via the steering axle or the locked oscillating axle. The weights of the attached load hoisting equipment (grab, load hooks, etc.) must be deducted from the lift capacity values. The working load of the lifting device must be observed. In accordance with EU Standard EN 474-5 for object handling applications hose rupture valves on the boom and stick cylinders, an overload warning device and the lift capacity table in the cab are required. For object handling application the machine has to be supported on a level ground.

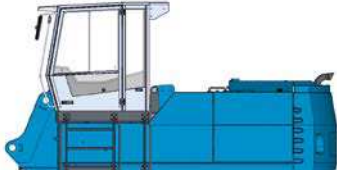




LIFTING CAPACITY

Height [m]	Undercarriage outrigger	Reach [m]					
		15	20	25	30	35	40
40	not supported		(17,300°)	(12,200°)			
	4-point supported		17,300° (17,300°)	12,200° (12,200°)			
35	not supported		(19,900°)	(16,100)	(11,600)		
	4-point supported		19,900° (19,900°)	17,300° (17,300°)	12,000° (12,000°)		
30	not supported		(20,900°)	(16,100)	(11,700)	(8,700)	
	4-point supported		20,900° (20,900°)	17,600° (17,600°)	15,200° (15,200°)	9,500° (9,500°)	
25	not supported		(22,000°)	(15,700)	(11,500)	(8,700)	
	4-point supported		22,000° (22,000°)	18,100° (18,100°)	15,400° (15,400°)	13,400° (13,400°)	
20	not supported	(32,700°)	(21,900)	(15,100)	(11,100)	(8,500)	(6,600)
	4-point supported	32,700° (32,700°)	24,000° (24,000°)	19,100° (19,100°)	15,900° (15,900°)	13,500° (13,500°)	8,300° (8,300°)
15	not supported	(32,500)	(20,500)	(14,400)	(10,700)	(8,300)	(6,500)
	4-point supported	38,700° (38,700°)	26,500° (26,500°)	20,200° (20,200°)	16,400° (16,400°)	13,500° (13,500°)	10,800° (10,800°)
10	not supported		(19,100)	(13,600)	(10,300)	(8,000)	(6,400)
	4-point supported		28,200° (28,200°)	21,000° (21,000°)	16,400° (16,400°)	13,100° (13,100°)	10,000° (10,000°)
5	not supported		(18,100)	(13,000)	(9,900)	(7,800)	(6,300)
	4-point supported		26,800° (26,800°)	21,000° (21,000°)	16,400° (16,400°)	13,100° (13,100°)	10,000° (10,000°)
0	not supported		(17,700)	(12,700)	(9,700)	(7,700)	
	4-point supported		21,200° (21,200°)	19,600° (19,600°)	15,300° (15,300°)	11,900° (11,900°)	
-5	not supported			(12,600)	(9,600)		
	4-point supported			16,700° (16,700°)	13,100° (13,100°)		
							Max, Reach 41'4"
9	not supported						(5,800)
	4-point supported						6,400° (6,400°)

MODULAR SYSTEM

Attachments		Work equipment	
<p>furthermore</p> <p>Cactus grab</p> <p>Sorting grapple</p> <p>Load hook</p>	<p>Timber grab</p> 	<p>Work equipment straight</p> 	
	<p>Magnet plate</p> 	<p>Work equipment with multipurpose stick</p> 	

Uppercarriage		
<p>Rigid cab system</p> <p>Viewing height: max. 13'1"</p> 	<p>Cab protection guard</p> 	<p>Cab system hydraulically adjustable</p> <p>Viewing height: max. 20'</p> 

Timberpackage		
 <p>Side protection guard</p>	 <p>Lifting cylinder guard</p>	<p>furthermore</p> <p>Side camera</p> <p>Actimo XXL seat</p> <p>Additional lights</p>

GET A HANDLE ON FLEET MANAGEMENT

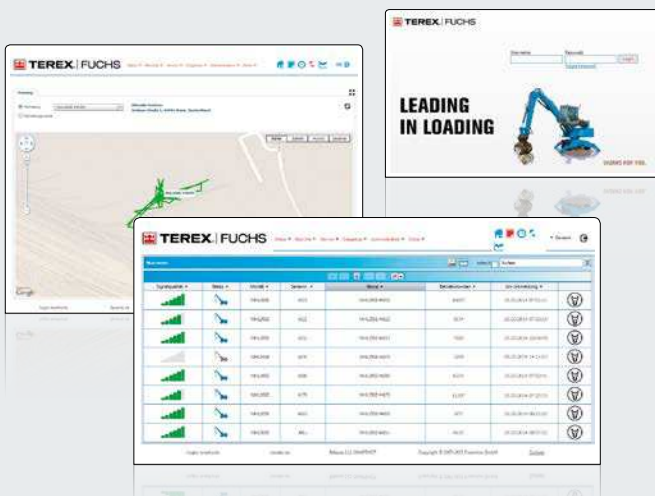
TEREX® FUCHS TELEMATICS SYSTEM: RECOGNIZE AND OPTIMIZE POTENTIAL

The Terex® Fuchs Telematics system: know exactly how and where everything is running. The Terex® Fuchs Telematics system offers a modern solution to help you analyze and optimize the efficiency of your machines. The Terex® Fuchs Telematics system records and communicates valuable information on the operating status of each individual machine. Where are the machines? How are they working? Is a service check pending? Take advantage of this advanced software and get a handle on your fleet management with the tool that connects for you.



ALL-IN-ONE MACHINE MANAGEMENT

EVERYTHING AT A GLANCE: OPERATING DATA, MACHINE STATUS, GPS DATA



Record, display, and analyse data: high efficiency through precise information

- ⊕ Available online anywhere and at any time*: comprehensive information on the GPS location, start and stop times, fuel consumption, operating hours, maintenance status, and much more.
- ⊕ User-friendly interface: displays information clearly for at a glance metrics and diagnostics. Take action before damage occurs: predetermined maintenance intervals are signaled and error messages are displayed in plain text messages.
- ⊕ The Terex® Fuchs Telematics system is optionally available or can be retrofitted into existing machines to help control your operating costs and keep your machines in top shape.

* Internet connection required

www.terex-fuchs.com

October 2016. Product specifications and prices are subject to change without notice or obligation. The photographs and/or drawings in this document are for illustrative purposes only. Refer to the appropriate Operator's Manual for instructions on the proper use of this equipment. Failure to follow the appropriate Operator's Manual when using our equipment or to otherwise act irresponsibly may result in serious injury or death. The only warranty applicable to our equipment is the standard written warranty applicable to the particular product and sale and Terex makes no other warranty, express or implied. © Terex Corporation 2015 - Terex, the Terex Crown design, Fuchs and Works For You are trademarks of Terex Corporation or its subsidiaries.



FUCHS
A TEREX BRAND

WORKS FOR YOU.™

Courtesy of Crane.Market