



TEREX®

Master Part Manual

Compact Track Loader

R190T

Part Number: 0404-491
Printed 5/9/2015

Table of Contents

<p>1. Cab (R.O.P.S.) Assembly R190T Serial # 00300- Current* 1-A</p> <p>2. Light Bar Assembly R190T Serial # 00300- Current* 2-A</p> <p>3. Enclosed Cab (R.O.P.S.) Assembly R190T Serial # 00300- Current* 3-A</p> <p>4. Chassis Assembly R190T Serial # 00300- Current* 4-A</p> <p>5. Hood Assembly R190T Serial # 00300- Current* 5-A</p> <p>6. Radiator/Oil Cooler Assembly R190T Serial # 00300- Current* 6-A</p> <p>7. Hydraulic Reservoir Assembly R190T Serial # 00300- Current* 7-A</p> <p>8. Hydraulic Control Assembly R190T Serial # 00300- Current* 8-A</p> <p>9. Drive/Auxiliary Pump Assembly R190T Serial # 00300- Current* 9-A</p> <p>10. Engine Assembly R190T Serial # 00300- Current* 10-A</p> <p>11. Fuse Panel Assembly R190T Serial # 00300- Current* 11-A</p> <p>12. Torsion Axle Assembly R190T Serial # 00300- 00393 12-A R190T Serial # 00394- Current* 12-B</p> <p>13. Undercarriage Assembly (RT) R190T Serial # 00300- Current* 13-A</p> <p>14. Undercarriage Assembly (LT) R190T Serial # 00300- Current* 14-A</p> <p>15. Lift Arm Assembly R190T Serial # 00300- Current* 15-A</p> <p>16. Lift Arm Tubes and Fittings R190T Serial # 00300- Current* 16-A</p> <p>17. Quick Attach Assembly R190T Serial # 00300- Current* 17-A</p>	<p>18. Hydraulic Quick Attach Assembly R190T Serial # 00300- Current* 18-A</p> <p>19. Cab Heater Assembly R190T Serial # 00300- Current* 19-A</p> <p>20. Heater/Air Conditioning Assembly R190T Serial # 00300- Current* 20-A</p> <p>21. Track Installation Tool R190T Serial # 00300- Current* 21-A</p> <p>22. Safety Decals U.S. (ANSI) R190T Serial # 00300- Current* 22-A</p> <p>23. Safety Decals ROW (ISO) R190T Serial # 00300- Current* 23-A</p> <p>24. Machines Graphics R190T Serial # 00300- Current* 24-A</p> <p style="margin-top: 20px;">* Parts manuals are updated on a regular basis. Always refer to current online posted manuals to ensure you have the most current information prior to ordering parts.</p> <p>NOTE: Ordering parts that are painted requires a specific part number format. Please refer to page II of this manual for paint code and ordering information.</p>
--	--

Painted Service Parts

ordering guidelines

Compact Track and Skid Steer Loaders are available in various colors and nomenclatures (brands / model names). **Paint color needs to be specified when ordering painted components.** When ordering painted components, inform the support representative of the brand and model name of your machine before selecting the proper color from the list below. The support representative should be able to assist you in finding the correct one based on your machine's **VIN number**. This should help to identify the original machine configuration and nomenclature.

***Note: Not all colors are available on all components. Available colors are limited to those considered "standard" on your particular machine and component(s). Please do not attempt to order non-standard colors for your machine as the order will not be fulfilled until corrected.**

The color codes are to be referenced as a suffix to the part number of the component you are requesting, for example: 0000-000-GRN (indicating a green part).

The following is a list of available colors.

<u>Color</u>	<u>Color Code:</u>
BLACK	BLK (ALL MODELS)
WHITE	WHT (TEREX)
YELLOW	YEL (VERMEER)
YELLOW	YEY (ASV)
GREEN	GRN (SUNBELT)
RED	RED (TAKEUCHI)
GRAY	GRY (TEE)
GRAY	GTG (SKID STEER WHEELS ONLY)
ORANGE	ORN (ASPLUNDH)

GENERAL SERVICE ITEMS & LUBRICANTS

<u>ITEM</u>	<u>MANUFACTURER/DESCRIPTION</u>	<u>PART NUMBER</u>
-Engine Oil Filter	Filter- Oil	0200-377
-Primary Air Filter	Filter- Air	0200-339
-Secondary Air Filter	Filter- Air	0200-340
-Engine Fuel Filter	Filter- Fuel	0200-213
-Fuel screen	Screen	0200-561
-Water Separator O-ring		0201-985
-Fan Belt (qty: 2 without A/C, 1 with A/C)	Gates	2045-793
-A/C Belt (qty: 1 with A/C)	Gates (A48K)	0201-645
-Antifreeze/Coolant (1 gal.)	Ethylene Glycol (long life)	0300-766
-Antifreeze/Coolant (Case/6 gal.)	Ethylene Glycol (long life)	0402-841
-Engine Oil (1 qt.)	Multi-Grade 10W-30	0300-767
-Engine Oil (Case/12 qt.)	Multi-Grade 10W-30	0402-838
-Engine Oil (1 gal.)	Multi-Grade 10W-30	0402-839
-Engine Oil (Case/6 gal.)	Multi-Grade 10W-30	0402-840
-Grease (1 Tube)	Multi-Purpose Lithium	0300-769
-Grease (Box/10 Tubes)	Multi-Purpose Lithium	0402-844
-Grease (Case/40 Tubes)	Multi-Purpose Lithium	0402-834

HYDRAULIC SERVICE ITEMS & LUBRICANTS

<u>ITEM</u>	<u>DESCRIPTION</u>	<u>PART NUMBER</u>
-Hydraulic Oil Filter	Filter- Hydraulic oil	0200-204
-Kit,Seal,Loader Valve & Relief	Fits Loader Valve (P/N:2030-817)	2010-877

<u>O-RING</u>	<u>PART NUMBER</u>
# 4, ORB Type	0314-366
# 6, ORB Type	0310-619
# 8, ORB Type	0307-353
# 10, ORB Type	0310-620
# 12, ORB Type	0310-621
# 16, ORB Type	0307-354
# 20, ORB Type	0310-832

COMPONENT SERVICE ITEMS / HARNESSES R160T

HARNESSES

<u>ITEM</u>	<u>LOCATION</u>	<u>PART NUMBER</u>
HARNESS,JUMPER		0200-200
HARNESS,WIPER,A W/LO		0304-572
HARNESS,WIPER,B		0304-573
HARNESS,JUMPER,QA		2015-042
HARNESS GAUGE 2 UNIT		2030-275
MODULE CAPACITOR/RESISTOR		2076-296
HARNESS AUX PWR ACT		2010-689
HARNESS MAIN PT50/60		2030-760
HARNESS CAB PT50/60		2030-761

CYLINDER SERVICE ITEMS

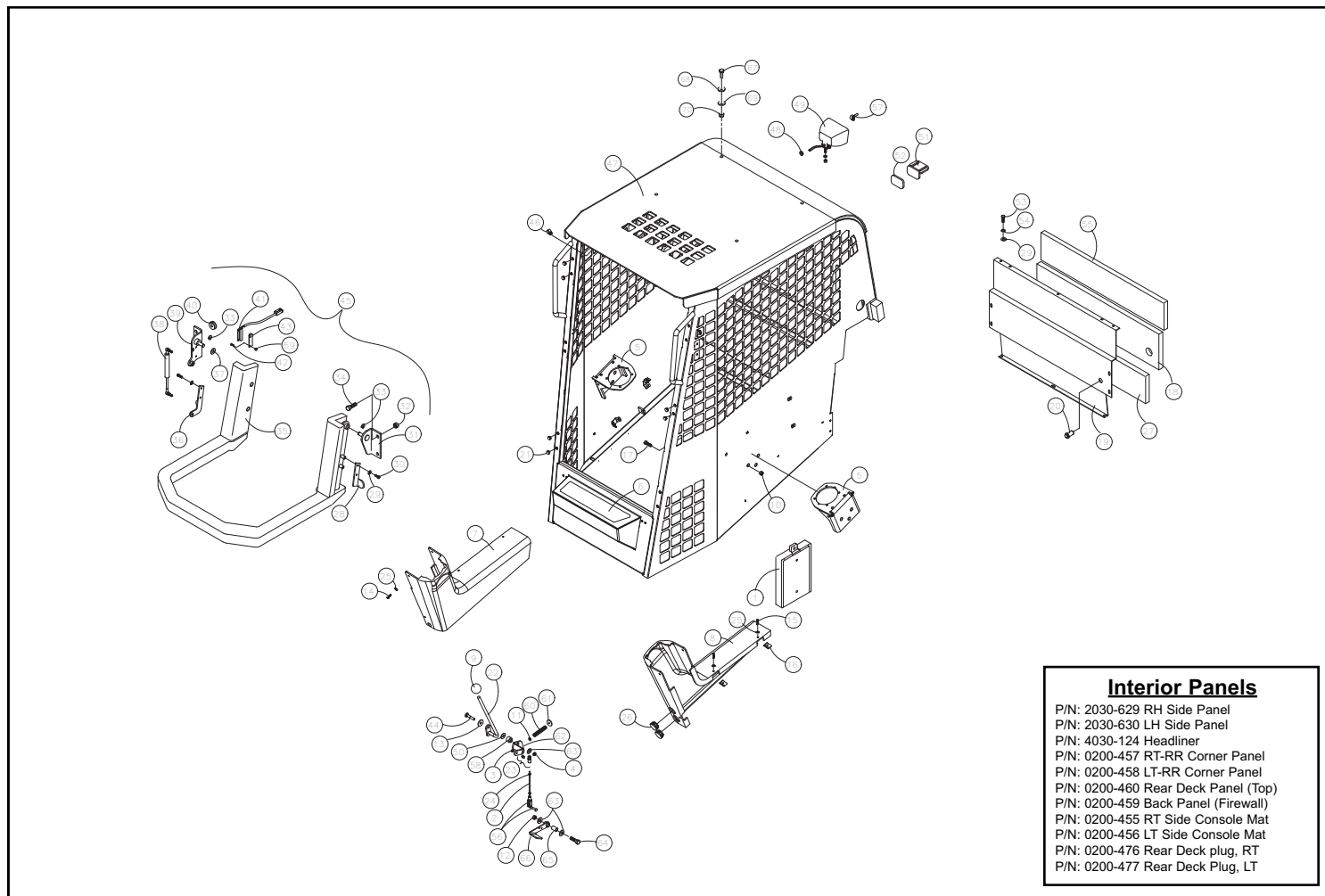
Serial #: 00300-Current

- RH-Bucket/Tilt P/N: 2030-804
- LH-Q/A P/N: 2046-316
- LH-Bucket/Tilt P/N: 2030-803
- RH-Q/AP/N: 2046-317
- Lift-Arm P/N: 2030-824

<u>ITEM</u>	<u>MANUFACTURER/DESCRIPTION</u>	<u>PART NUMBER</u>
-Kit,Seal,Bucket/Tilt Cylinder	Fits Cylinder (P/N:2030-803/804)	0404-535
-Rod,Bucket/Tilt Cylinder	Fits Cylinder (P/N:2030-803/804)	2030-660
-End Gland,Bucket/Tilt Cylinder	Fits Cylinder (P/N:2030-803/804)	2030-834
-Nut,Bucket/Tilt Cylinder	Fits Cylinder (P/N:2030-803/804)	2030-656
-Kit,Seal,Lift Arm Cylinder	Fits Cylinder (P/N:2030-824)	0404-534
-End Gland,Lift Arm Cylinder	Fits Cylinder (P/N:2030-824)	2030-838
-Rod,Lift Arm Cylinder	Fits Cylinder (P/N:2030-824)	2030-659
-Nut,Lift Arm Cylinder	Fits Cylinder (P/N:2030-824)	2030-656
-Kit,Seal,Q/A Cylinder	Fits Cylinder (P/N:2046-316/317)	2076-292

CAB (R.O.P.S.) ASSEMBLY (R190T 00300- Current)

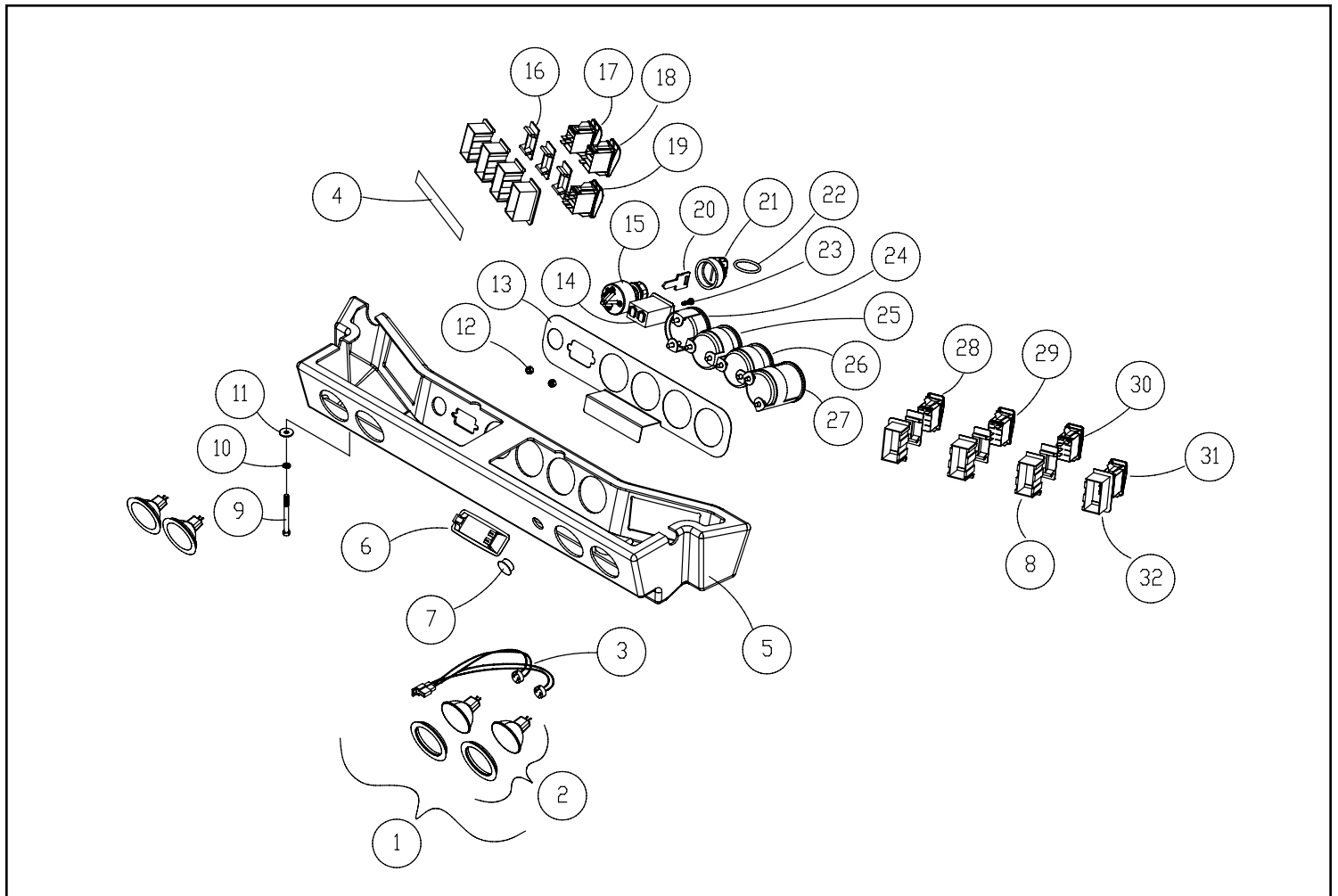
REF. NO.	PART NUMBER	QTY.	DESCRIPTION	REF. NO.	PART NUMBER	QTY.	DESCRIPTION
1	0304-318	1	BOX,OWNERS MANUAL	41	0304-473	1	SENSOR,SWITCH,LAPBAR
2	2030-356	1	ROD, THREADED, 1/4-28 X 6.5"	42	0310-307	1	SCREW,MACHINE,4-40x.50 92314A110
3	8040-396	1	NUT,HEX,NYLOCK,1/4-28 UNF,ZN	43	0412-036	1	BRACKET LAP BAR ACTIVATION SWITCH
4	8041-500	1	NUT,HEX,NYLOCK,3/8-16 UNC,THIN	44	8011-227	1	BOLT,CARRIAGE,3/8-16 UNC x 2.0
5	0200-600	2	MNTS JOYSTICK	45	0304-019	1	ASSY,LAP BAR
6	0304-496	1	PAD,SKID	46	0304-400	6	CLIP,FASTENER
7	0200-588	1	CONSOLE RH	47	2030-511	1	WLMT ROPS 30/50/60
8	0200-587	1	CONSOLE LH	48	0301-637	1	GROMMET (1840)
9	0302-546	1	KNOB,PLASTIC,1-7/8 DIA,1/2-13	49	0304-247	1	LIGHT,REAR
10	0314-269	6	NUT,FLANGE,TOPLK,3/8-16UNC,GDG,ZN	50	2030-360	1	BELLEVILLE WASHER, 3/8" ID X 1-1/8 OD
11	8050-157	1	WASHER,WROUGHT, #10 3/16,STD,ZN	51	0200-320	2	WLMT,STOP LAP BAR
12	8040-486	1	NUT,HEX,NYLOCK,3/8-16 UNC,ZN	52	0200-321	2	PAD,RUBBER,W/ADHESIVE
13	2030-357	1	WASHER COMPOSITE	53	8102-044	5	CAPSCREW,HH,1/4-20UNCx1.25,GD8
14	0304-485	5	SCREW,MACH,10-24x3/4,STAINLESS	54	8051-212	5	WASHER,SPRING LOCK,1/4,ZN
15	0090-011	4	SCREW OH PH #10 x 1.25 SS	55	0200-290	1	INSULATION,TOP
16	0090-010	4	NUT SPEED #10	56	0201-902	1	CLEVIS,1/4-28,W/PIN
17	8102-222	6	CAPSCREW,HH,3/8-16 UNCx1.0,GD8,ZN	57	0200-288	1	BULB,HALOGEN
18	0200-291	1	INSULATION,MIDDLE	58	0201-867	1	BUSHING
19	0200-328	1	PLATE,FIREWALL	59	0310-308	1	NUT,HEX,NYLOCK 4-40,91831A005
20	0200-264	1	HOUSING,POWER SOURCE	60	0201-903	1	SPRING,1.75X0.48
21	0304-579	6	PLUG,HOLE,PLASTIC,5/16	61	0301-033	1	WASHER,FENDER,1/4 x 1 1/4,STL,
22	0201-912	1	LEVER,THROTTLE	62	2030-358	1	BRACKET FOOT THROTTLE
23	0314-215	1	CONNECTOR,JOINT,BALL	63	8050-282	3	WASHER,WROUGHT,3/8,STD,ZN
24	0301-121	2	NUT,JAM,1/4-28 UNF	64	8102-227	2	CAPSCREW,HH,3/8-16UNCx2.0 GD8
25	0090-012	8	WASHER FINISHING #10 SS	65	0201-865	1	BUSHING,FOOT PEDAL
26	0307-606	4	PLUG,FINISHING,STEEL,1-3/8"	66	0201-925	1	WLMT,PEDAL
27	0200-292	1	INSULATION,BOTTOM	67	8102-040	4	CAPSCREW,HH,1/4-20 UNCx.75,GD8 ZN
28	0304-466	1	STOP,LAPBAR	68	0090-325	4	WASHER 3/4"-5/16" RUBBER BONDED
29	8050-240	10	WASHER,STAINLESS,1/4",MS	69	8050-222	4	WASHER,WROUGHT,1/4,STD,ZN
30	0304-465	4	CAPSCREW,HH,M6-1.0x16mm	70	8040-366	4	NUT,HEX,NYLOCK,1/4-20 UNC,ZN
31	0304-467	1	BRKT,LAPBAR				
32	8040-606	4	NUT,HEX,NYLOCK,1/2-13 UNC,ZN				
33	0304-468	2	RING,SNAP,LAPBAR				
34	8102-404	4	CAPSCREW,HH 1/2-13UNCx1.25 GD8				
35	0304-469	1	LAPBAR				
36	0304-470	1	MNT,LAPBAR				
37	0304-477	2	SPACER,LAPBAR				
38	0304-471	2	SPRING,GAS,ASSIST				
39	0304-472	1	MNT,LAPBAR,SWITCH				
40	0304-476	1	GROMMET,RUBBER				



LIGHT BAR ASSEMBLY (R190T 00300- Current)

Section 2

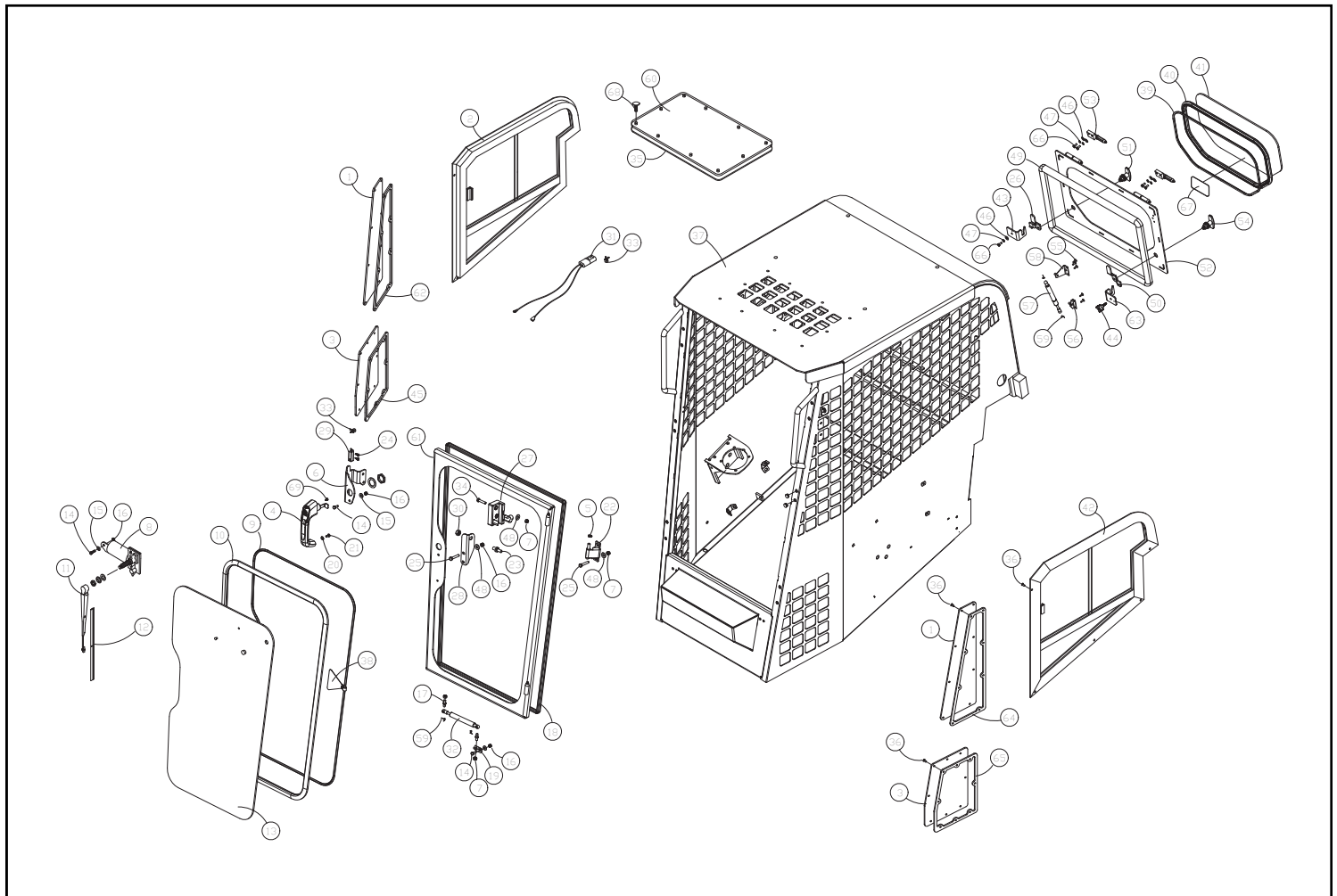
REF. NO.	PART NUMBER	QTY.	DESCRIPTION	REF. NO.	PART NUMBER	QTY.	DESCRIPTION
1	2045-755	4	KIT LIGHTS 35W W/ HARNESS				
2	2045-756	4	LIGHT 35W W/BEZEL				
3	0201-595	2	HARNESS,LIGHT,DOUBLE				
4	2030-331	1	DECAL DASH PANEL				
5	2030-241	1	CONSOLE MACHINED				
6	2030-245	1	LIGHT DOME				
7	0304-411	1	PLUG, HOLE, 3/4", PLASTIC				
8	0310-137	4	FRAME,MID				
9	8102-142	2	CAPSCREW,HH,5/16-18x3.25,GD8				
10	8051-242	2	WASHER,SPRING LOCK,5/16,ZN				
11	8050-262	2	WASHER,WROUGHT,5/16,STD,ZN				
12	8040-186	2	NUT,NYLOCK 8-32				
13	2030-272	1	PLATE BACKING GAUGES				
14	2045-502	1	METER HOUR				
15	0304-028	1	SWITCH,IGNITION,RC				
16	0310-138	6	PLUG				
17	2045-725	1	SWITCH 2 POSITION LOCKING (OPTIONAL)				
18	2045-477	1	SWITCH SELF LEVELER				
19	0200-252	1	SWITCH,3 POSITION,LOCKING				
20	2045-432	1	KEY IGNITION				
21	2045-792	1	COVER KEY IGNITION				
22	0304-551	1	RING,KEY				
23	0090-038	2	SCREW MACHINE PH 8-32 x .625 SS				
24	2030-244	1	GAUGE WARNING INDICATION				
25	4010-014	1	GAUGE FUEL				
26	4010-013	1	GAUGE,ENGINE,TEMP (OPTIONAL)				
27	4010-017	1	TACHOMETER (OPTIONAL)				
28	0310-133	1	SWITCH,BEACON				
29	0304-123	1	SWITCH,ON/OFF,WIPER				
30	0310-128	1	SWITCH,HEATER				
31	0310-126	1	SWITCH,LIGHT				
32	0310-136	4	FRAME,END				



ENCLOSED CAB (R.O.P.S.) ASSEMBLY (R190T 00300- Current)

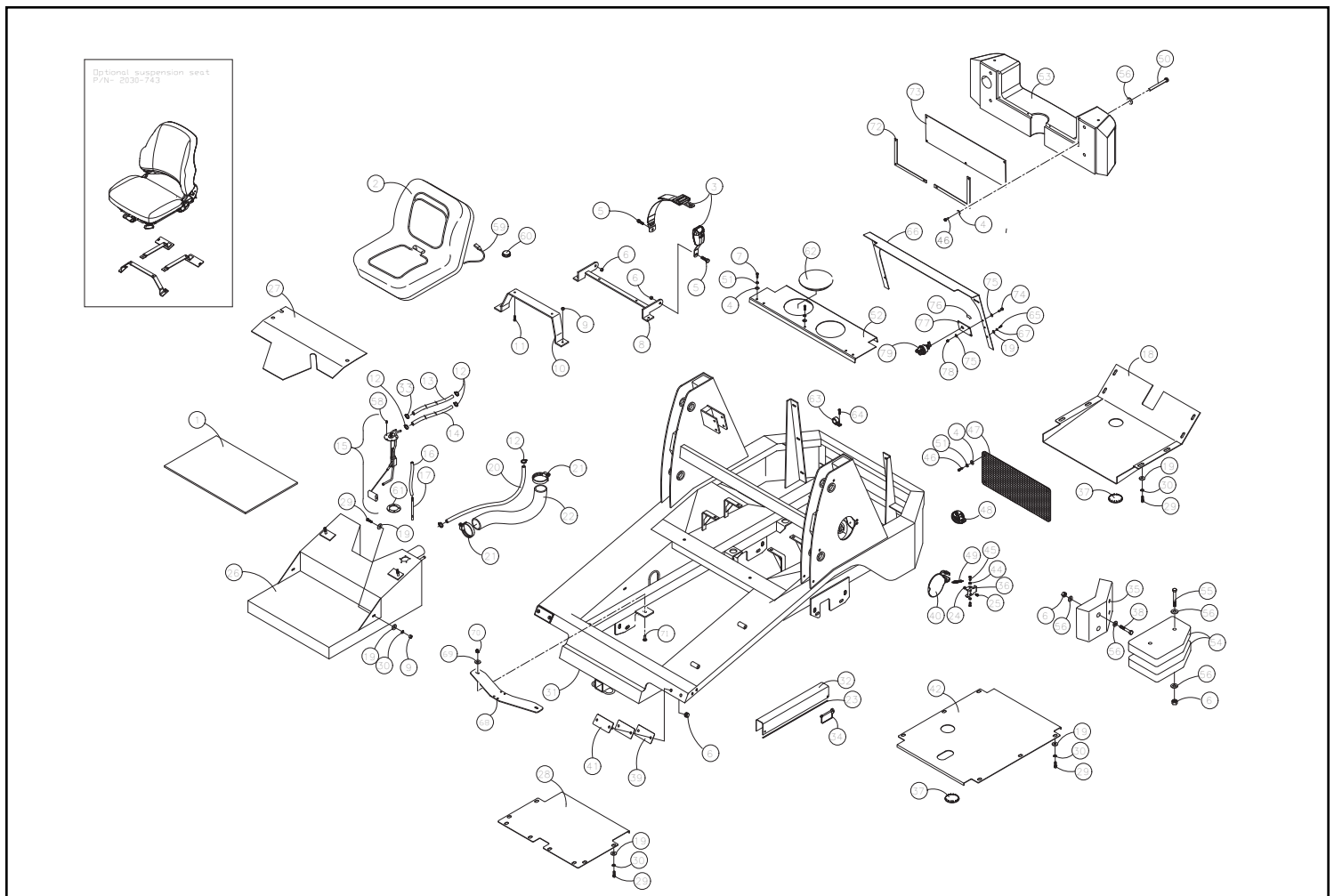
Section 3

REF. NO.	PART NUMBER	QTY.	DESCRIPTION	REF. NO.	PART NUMBER	QTY.	DESCRIPTION
1	0403-762	2	WINDOW UPPER CORNER	41	0403-842	1	WINDOW REAR
2	0402-769	1	GLASS,SLIDER,SINGLE,RH	42	0402-758	1	GLASS,SLIDER,SINGLE,LH
3	0403-763	2	WINDOW LOWER CORNER	43	0403-854	1	CATCH WINDOW RH
4	2075-406	1	HANDLE PUSH BUTTON	44	0090-304	1	KNOB STAR 1.75" RED M6 X 1.1 X 6MM
5	0403-503	2	BUSHING,HINGE	45	0403-767	1	SEAL RH UPPER WINDOW
6	2075-409	1	MOUNT DOOR LATCH	46	8050-222	5	WASHER,WROUGHT,1/4,STD,ZN
7	8040-426	8	NUT,HEX,NYLOCK,5/16-18 UNC,ZN	47	8051-212	5	WASHER,SPRING LOCK,1/4,ZN
8	0304-619	1	MOTOR,WIPER,85^	48	8050-262	8	WASHER,WROUGHT,5/16,STD,ZN
9	0310-495	12'	STRIP,LOCK	49	0090-272	7'	SEAL V-PROFILE 15MM X 16MM
10	0304-674	1	SEAL_WINDOW,10FT	50	0403-847	1	LATCH ARM LH
11	0402-243	1	ARM,WIPER,15-19"	51	0403-913	1	T-HANDLE NON LOCKING
12	0304-557	1	BLADE,FLAT,14"	52	0403-845	1	WLMT FRAME WINDOW REAR
13	4030-106	1	WINDOW DOOR PT30/60 CE	53	0403-850	2	HINGE REAR WINDOW MALE
14	8102-040	4	CAPSCREW,HH,1/4-20 UNCx.75,GD8	54	0403-846	1	T-HANDLE LOCKING
15	8050-222	4	WASHER,WROUGHT,1/4,STD,ZN	55	8061-604	5	RIVET,ALUMINUM,3/16x.575
16	8040-426	2	NUT,HEX,NYLOCK,5/16-18 UNC,ZN	56	0314-528	1	MOUNT GAS SPRING BALL 10MM
17	0304-495	2	STUD,BALL,10MM STUD	57	2045-503	1	SPRING GAS ASSIST
18	0304-484	11'	TRIM,CAB	58	0200-552	1	MNT,BRACKET,BALLSTUD
19	2030-348	1	MOUNT SPRING	59	0200-545	4	CLIP,SAFETY,GAS SPRING
20	8050-240	1	WASHER,STAINLESS,1/4",MS	60	0200-606	1	PANEL ROOF LEXAN
21	0304-486	1	CAPSCREW,HH,M6-1.0x14	61	0403-478	1	WLMT,DOOR,W/HINGES
22	0403-481	2	ASSY HINGE DOOR CAST LH	62	0403-766	1	SEAL LH UPPER WINDOW
23	2075-408	1	STRIKE	63	0403-853	1	CATCH WINDOW LH
24	0090-059	2	SCREW MACHINE #10 x .63 PH SELF DRILLING	64	0403-764	1	SEAL LH UPPER WINDOW
25	8102-136	6	CAPSCREW,HH,5/16-18x1.75 ZN GD	65	0403-765	1	SEAL LH LOWER WINDOW
26	0403-848	1	LATCH ARM RH	66	8102-039	5	CAPSCREW,HH,1/4-20UNCx.625,GD8
27	2075-407	1	HANDLE INSIDE	67	2010-592	1	DECAL EMERGENCY EXIT ANSI
28	2075-416	1	MOUNT STRIKE	68	0090-347	10	SCREW TH PH 1/4-20 X 1.25 ZN
29	0403-733	1	HARNESS,DOOR	69	0090-622	1	MACH, PH PAN HD, M6-1.0 X 10MM CLR ZNC
30	0090-135	1	NUT NYLOCK M12 X 1.0 ZC				
31	0304-573	1	HARNESS,WIPER,B				
32	0403-630	1	SPRING DAMPENED DOOR				
33	0090-167	4	TIE CABLE MOUNT				
34	8102-135	2	CAPSCREW,HH,5/16-18X1.50ZN,GD8				
35	0200-607	1	SEAL PANEL ROOF				
36	8102-042	32	CAPSCREW, HH 1/4-20UNC 1" GD8				
37	2030-511	1	ROPS PT30/50/60				
39	0310-495	5	STRIP,LOCK				
38	0201-748	1	ASSY,TAG,EMERGENCY EXIT				
40	1059-015	5	SEAL_WINDOW				



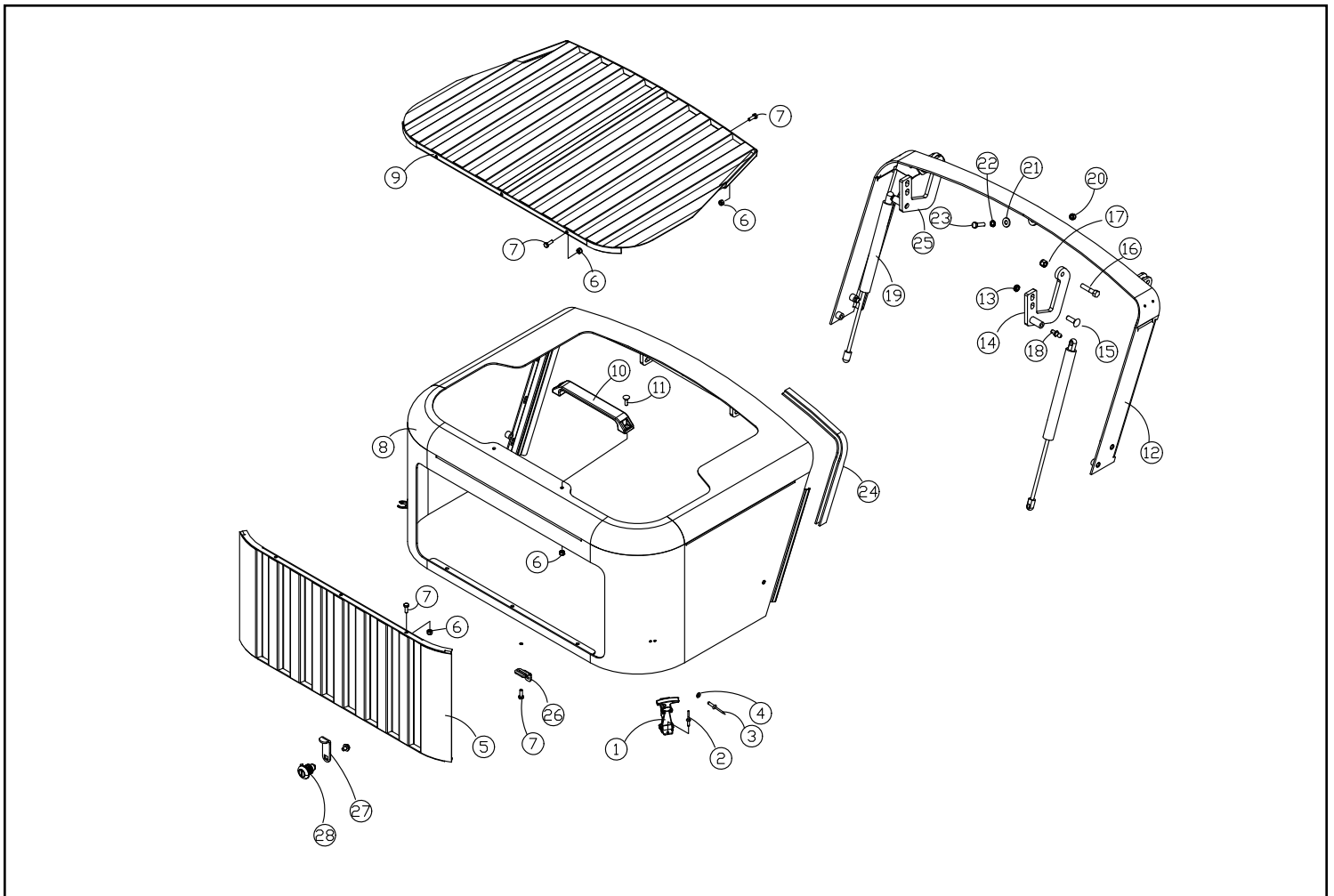
CHASSIS ASSEMBLY (R190T 00300- Current)

REF. NO.	PART NUMBER	QTY.	DESCRIPTION	REF. NO.	PART NUMBER	QTY.	DESCRIPTION
1	0200-217	1	MAT,FLOOR,50 SERIES.	41	0201-483	4	BOLT,PLOW,1/2-13x2.00
2	0304-045	1	SEAT	42	0200-179	1	PLATE,SKID,CENTER
3	2076-409	1	BELT SEAT 2" ADJUSTABLE	43	2030-320	1	SPRING EXTENSION 2.36"
4	8050-222	11	WASHER,WROUGHT,1/4,STD,ZN	44	0090-139	2	BUSHING PLASTIC .5 OD X .38 ID
5	8102-404	10	CAPSCREW,HH 1/2-13UNCx1.25 GD8	45	0090-137	2	SCREW SHOULDER-HSH 5/16-18 X 1.00
6	8040-606	27	NUT,HEX,NYLOCK,1/2-13 UNC,ZN	46	8102-040	13	CAPSCREW,HH,1/4-20 UNCx.75,GD8
7	8102-042	5	CAPSCREW, HH 1/4-20UNC 1" GD8	47	0200-140	1	SCREEN,BACK,CHASSIS
8	0304-206	1	WLMT,MNT,SEAT,REAR	48	4046-088	1	CAP FUEL YELLOW
9	8040-486	4	NUT,HEX,NYLOCK,3/8-16 UNC,ZN	49	2030-320	1	SPRING EXTENSION
10	0304-201	1	MNT,SEAT,FRAME	50	8102-416	4	CAPSCREW HH 1/2-13 x 5 GD 8
11	8102-130	4	CAPSCREW,HH 5/16-18x3/4,GR8	51	8051-212	10	WASHER,SPRING LOCK,1/4,ZN
12	0300-732	5	CLAMP,HOSE,#4	52	0200-105	1	PLATE,ENGINE,SURROUND
13	0200-361	1	HOSE,FUEL,3/16IDx35.00"	53	0200-235	1	WEIGHT,REAR
14	0200-353	1	HOSE,FUEL,5/16IDx30.00"	54	0200-167	4	WEIGHT
15	2030-438	1	ASSY SENDING UNIT	55	8102-416	4	CAPSCREW,HH,1/2-13 UNCx5.5,GD8
16	0304-447	1	HOSE,7/16X5/16POLY,1.30FT	56	8050-347	24	WASHER,WROUGHT,1/2,STD,ZN
17	0301-375	1	WEIGHT,IN-TANK	57	0090-139	2	BUSHING PLASTIC .5 OD X .38 ID
18	0200-139	1	PLATE, SKID, REAR	58	0304-157	6	SCREW,ORING,3/16-32x1/2,STAINL
19	8050-262	26	WASHER,WROUGHT,5/16,STD,ZN	59	0304-662	1	HARNESS,SWITCH,SEAT
20	0304-509	1	HOSE,FUEL,5/16x26"	60	2010-127	1	SWITCH,SEAT (NEW STYLE)
21	0303-096	2	CLAMP,HOSE	61	0304-617	1	GASKET,TANK,FUEL
22	0304-037	1	HOSE,FILL,DIESEL,FUEL	62	0200-437	2	PLUG,HOLE,6"
23	2030-188	2	FOAM,LOADER LOCK,15 1/2"	63	0310-467	1	CLAMP,WIRE,1.0
24	0090-003	2	NUT,WELD,HEX,5/16-18	64	0302-537	1	SCREW,SELF-TAPPING
25	0090-138	2	SCREW CAP HSFH 5/16-18 X .75 BLK ZC	65	8102-128	4	CAPSCREW,HH 5/16-18UNCx7/8 GR8 ZN
26	0200-135	1	WLMT,TANK,FUEL	66	2030-584	1	FIREWALL
27	0200-307	1	PLATE,FILLER,FLOOR	67	8051-242	4	WASHER,SPRING LOCK,5/16,ZN
28	0200-134	1	PLATE,SKID,FRONT	68	2030-780	1	MNT PILOT GEN
29	8102-222	24	CAPSCREW,HH,3/8-16 UNCx1.0,GD8	69	8050-262	2	WASHER,WROUGHT,5/16,STD,ZN
30	8051-272	24	WASHER,SPRING LOCK,3/8,ZN	70	8040-426	2	NUT,HEX,NYLOCK,5/16-18 UNC,ZN
31	2030-814	1	WLMT CHASSIS	71	8011-132	2	BOLT,CARRIAGE,5/16-18 UNCx1.0,
32	2030-154	1	LOCK,LOADER,REMOVABLE	72	2030-831	2	PLATE, WASHER, WEIGHT
33	0090-534	1	CLAMP	73	0200-140	1	SCREEN,BACK,CHASSIS
34	0201-477	2	PIN,LOCKING,D-RING,3.00"	74	8102-132	2	CAPSCREW,HH,5/16-18UNCx1.0 GD8 ,ZN
35	2030-109	2	WEIGHT,REAR,SIDE	75	8050-262	4	WASHER,WROUGHT,5/16,STD,ZN
36	2030-316	1	BRACKET, FUEL DOOR	76	4010-178	1	DECAL BATTERY SHUTOFF
37	0310-423	2	PLUG,STEEL,3.00"	77	2030-768	1	PLATE MOUNTING SWITCH
38	8102-406	8	CAPSCREW,HH,1/2-13UNCx1.75,GD8	78	8040-426	2	NUT,HEX,NYLOCK,5/16-18 UNC,ZN
39	0201-066	2	PLATE,BOLT	79	0404-324	1	SWITCH
40	2030-317	1	WLMT DOOR ARM				



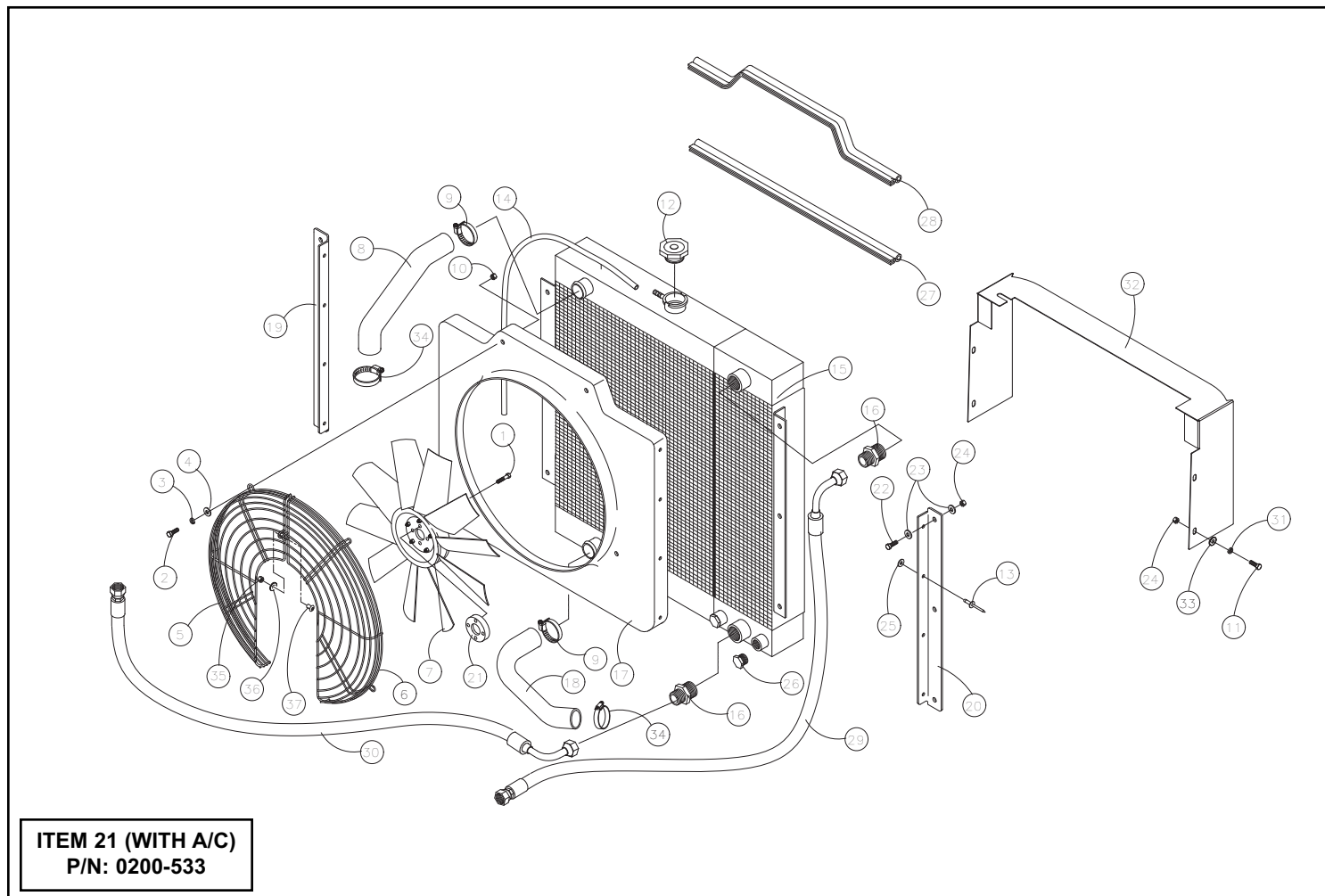
HOOD ASSEMBLY (R190T 00300- Current)

REF. NO.	PART NUMBER	QTY.	DESCRIPTION	REF. NO.	PART NUMBER	QTY.	DESCRIPTION
1	0302-042	2	LATCH,RUBBER,T-HANDLE				
2	8060-731	4	RIVET,STAINLESS,3/16x.575				
3	8060-688	4	RIVET,BLIND,3/16 x .375 ABA				
4	0302-965	4	WASHER,RIVET,#7				
5	2040-057	1	WLMT SCREEN REAR				
6	8040-366	15	NUT,HEX,NYLOCK,1/4-20 UNC,ZN				
7	8102-038	13	CAPSCREW,HH 1/4-20UNCx7/8 GRD8				
8	2030-444-wht	1	WLMT HOOD PT60 (WHITE)				
9	2045-284	1	WLMT SCREEN TOP				
10	2045-647	1	HANDLE LIFT HOOD				
11	0310-648	2	SCREW,MACH,1/4-20UNCx1.25				
12	2030-445-wht	1	WLMT COWL				
13	0314-269	4	NUT,FLANGE,TOPLK,3/8-16UNC,GDG,ZN				
14	2030-457	2	WLMT HINGE RH				
15	8011-224	4	BOLT CARRAIGE 3/8-16 UNC X 1.0 ZN				
16	8102-226	2	CAPSCREW,HH 3/8-16UNCx1.75 GD8				
17	8040-486	2	NUT,HEX,NYLOCK,3/8-16 UNC,ZN				
18	0304-495	4	STUD,BALL,10MM STUD				
19	2040-110	2	SPRING GAS 100 LB				
20	8040-426	5	NUT,HEX,NYLOCK,5/16-18 UNC,ZN				
21	8050-262	5	WASHER,WROUGHT,5/16,STD,ZN				
22	8051-242	5	WASHER,SPRING LOCK,5/16,ZN				
23	8102-134	5	CAPSCREW,HH,5/16-18UNCx1.25GD8				
24	2040-165	1	TRIM HOOD 140"				
25	2030-458	2	WLMT HINGE LH				
26	2030-389	1	HOOD LOCK HOOK				
27	2030-388	1	PAWL SOUTHCO				
27	2030-387	1	LOCK SOUTHCO				



RADIATOR/OIL COOLER ASSEMBLY (R190T 00300- Current)

REF. NO.	PART NUMBER	QTY.	DESCRIPTION	REF. NO.	PART NUMBER	QTY.	DESCRIPTION
1	0200-336	4	CAPSCREW,HH,M6x1.0x40				
2	8102-040	11	CAPSCREW,HH,1/4-20 UNCx.75,GD8				
3	8051-212	11	WASHER,SPRING LOCK,1/4,ZN				
4	8050-222	11	WASHER,WROUGHT,1/4,STD,ZN				
5	0200-225	1	GUARD,FAN,LH				
6	0200-226	1	GUARD,FAN,RH				
7	0200-103	1	FAN,ENGINE,17"				
8	0304-035	1	HOSE,RADIATOR, TOP				
9	0303-238	2	CLAMP,HOSE				
10	8040-366	11	NUT,1/4-20UNC,NYLOK				
11	8102-222	4	CAPSCREW,HH,3/8-16 UNCx1.0,GD8				
12	0200-358	1	CAP,RADIATOR,7PSI				
13	8060-728	8	RIVET,BLIND3/16X.550 1Y SSB66S				
14	0304-444	1	HOSE,7/16 x 5/16 POLY,3FT				
15	0200-492	1	ASSY,COOLER				
16	2030-097	2	ADAPTER,FS6400-12-16-0				
17	2030-040	1	SHROUD,3024cT				
18	0304-036	1	HOSE,RADIATOR,BOTTOM				
19	2030-117	1	MNT,SHROUD,RH				
20	2030-116	1	MNT,SHROUD,LH				
21	0200-507	1	SPACER,FAN,3024C				
22	8102-224	6	CAPSCREW,HH,3/8-16UNCx1.25,GD8				
23	8050-262	12	WASHER,WROUGHT,5/16,STD,ZN				
24	8040-486	10	NUT,HEX,NYLOCK,3/8-16 UNC,ZN				
25	0302-965	8	WASHER,RIVET,#7				
26	0307-439	2	ADAPTER,PLUG,8MB				
27	0200-360	1	SEAL,SHROUD,BOTTOM				
28	0200-359	1	SEAL,SHROUD, TOP				
29	2030-079	1	HOSE,12G1,12FFORX90S,12FFORX,6				
30	2030-078	1	HOSE,12G1,12FFORX90S,12FFORX90				
31	8051-272	4	WASHER,SPRING LOCK,3/8,ZN				
32	2030-278	1	PLATE DAM AIR				
33	8050-282	8	WASHER,WROUGHT,3/8,STD,ZN				
34	0303-240	2	CLAMP, HOSE				
35	8040-366	1	NUT,HEX,NYLOCK,1/4-20 UNC,ZN				
36	8050-240	1	WASHER,STAINLESS,1/4"				
37	0090-457	1	CAPSCREW 1/4-20 X 1				

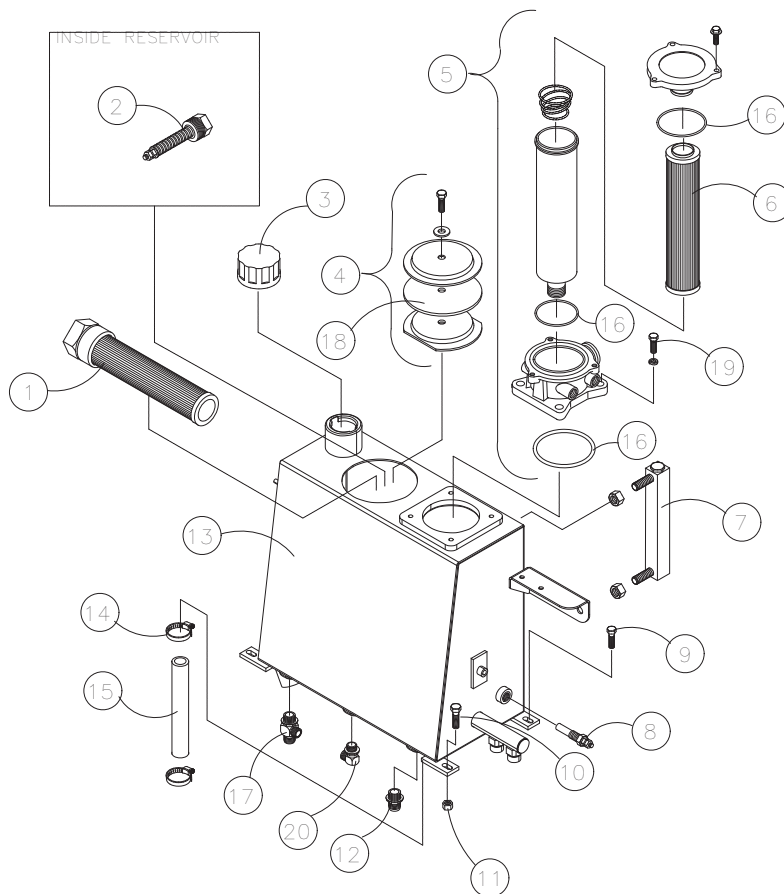


HYDRAULIC RESERVOIR ASSEMBLY (R190T 00300- Current)

Section 7

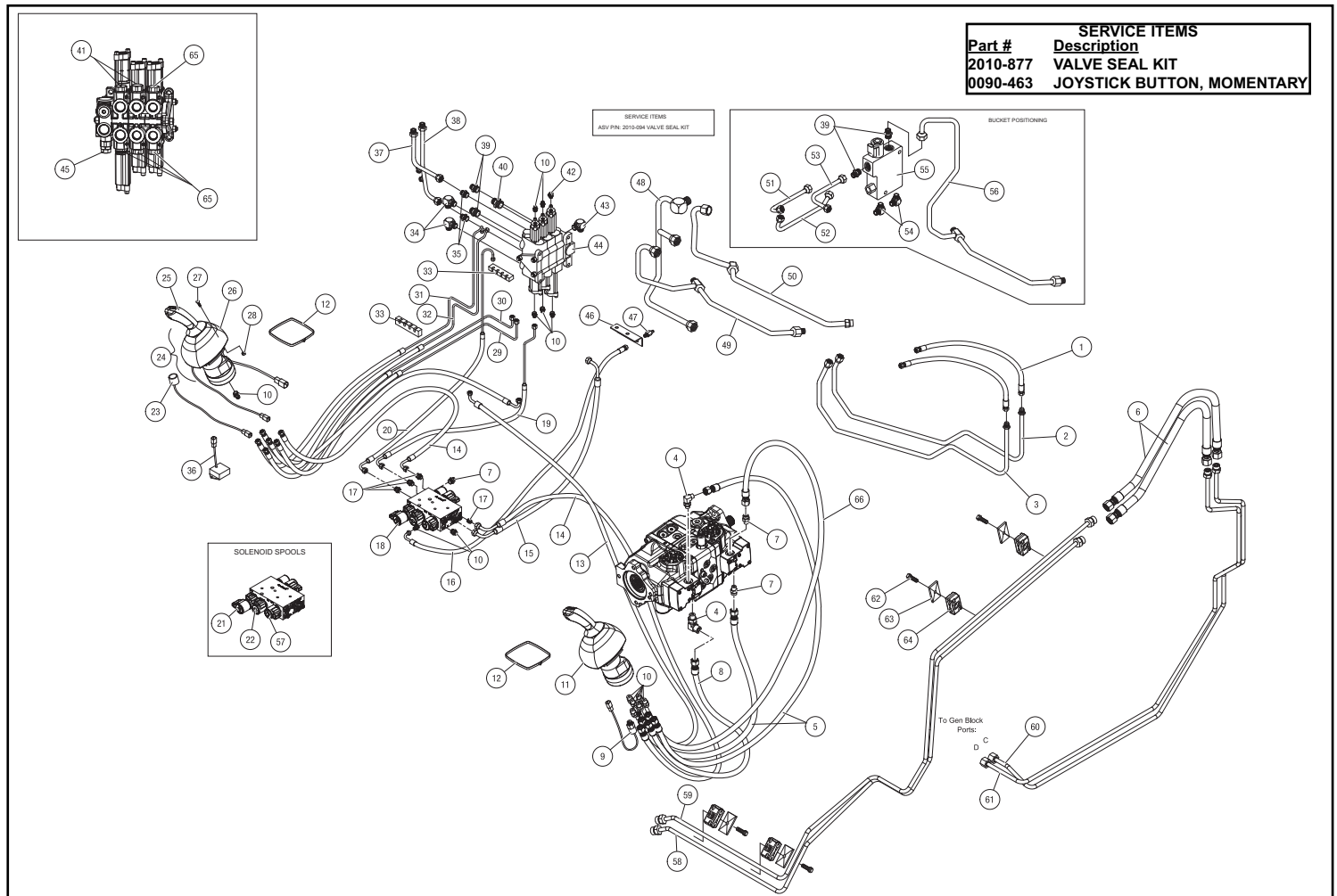
REF. NO.	PART NUMBER	QTY.	DESCRIPTION	REF. NO.	PART NUMBER	QTY.	DESCRIPTION
1	0200-276	1	SCREEN,SUCTION				
2	0304-450	1	VALVE,RELIEF,RES.				
3	0304-832	1	CAP,SLOSH PROOF,0 PSI				
4	0304-452	1	ASSY,COVER,ACCESS				
5	0200-203	1	ASSY,FILTER,HYD,4-BOLT				
6	0200-204	1	ELEMENT,FILTER,MP				
7	0304-642	1	GAUGE,SIGHT 5"				
8	0307-879	1	SWITCH,TEMP,OIL,225^ F				
9	8102-134	1	CAPSCREW,HH,5/16-18UNCx1.25GD8				
10	8102-132	3	CAPSCREW,HH,5/16-18UNCx1.0 GD8				
11	8040-426	4	NUT,HEX,NYLOCK,5/16-18 UNC,ZN				
12	0302-713	1	ADAPTER,O-RING TO FLARE (4-6)				
13	2031-032	1	WLMT,RESERVOIR				
14	0304-384	2	CLAMP,HOSE # 16				
15	0304-442	1	HOSE,RES.				
16	0200-325	1	O-RING,FILTER CAP				
17	0304-621	1	ADAPTER,4MJ-6MB-4MJ				
18	0200-221	1	GASKET,COVER,ACCESS				
19	8104-132	4	CAPSCREW,HH 5/16-24UNFx 1 GD 8				
20	0310-321	1	ADAPTER,12MFFOR-12MB90ADAPTER				

ITEM 16 INCLUDES ALL IDENTIFIED O-RINGS



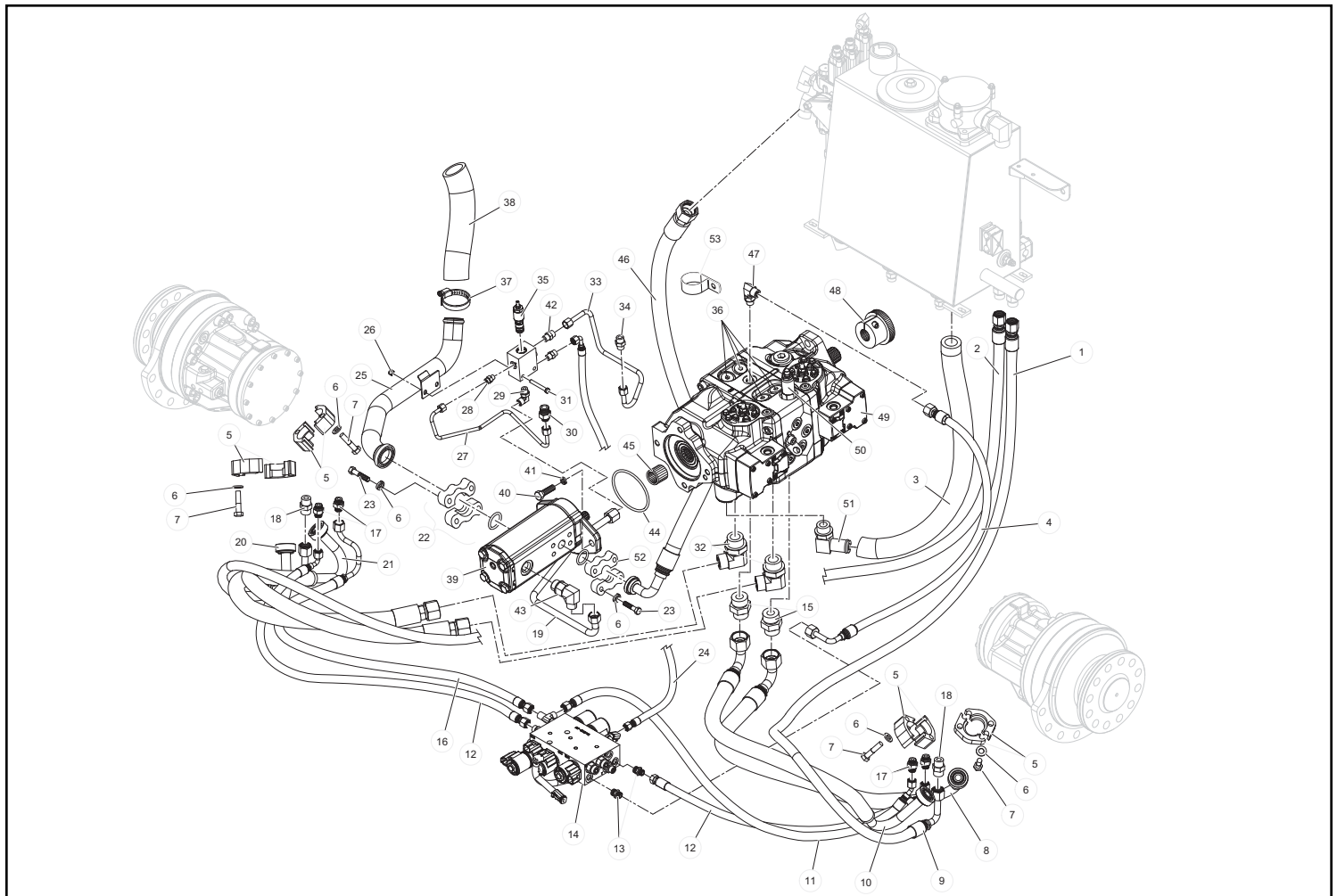
HYDRAULIC CONTROL ASSEMBLY (R190T 00300- Current)

REF. NO.	PART NUMBER	QTY.	DESCRIPTION	REF. NO.	PART NUMBER	QTY.	DESCRIPTION
1	2030-071	2	HOSE,10M4K,10FFORX,10FFORX,22.	41	2030-818	2	RELIEF, WORK PORT, 3500 PSI ANTI CAVITY
2	2030-003	1	TUBE,AUX, TOP, VALVE	42	0201-319	1	ADAPTER,FS6801-04-06-NW0
3	2030-004	1	TUBE,AUX, LOWER, VALVE	43	0310-321	1	ADAPTER,12MFFOR-12MB90
4	0310-328	2	ADAPTER,6MFFOR-6MB-90	44	2030-817	1	VALVE,LOADER
5	2031-028	2	HOSE -6 1000PSI 6FFORX 6FFORX 41.75"	45	0201-557	1	VALVE,RELIEF,PORT,3000PSI
6	2030-227	2	HOSE (OPTIONAL)	46	0200-330	1	BRACKET,FILTER
7	0310-329	3	ADAPTER,6MFFOR-6MB	47	0200-326	1	ADAPTER,TEST PORT,#4 BLK
8	2031-027	1	HOSE -6 1000PSI 6FFORX 6FFORX 57.5"	48	2030-118	1	TUBE,RETURN,VALVE
9	0304-441	1	SWITCH,PRESSURE NASON	49	2030-005	1	TUBE,BOOM,LOWER,VALVE
10	0201-309	18	ADAPTER,FS6400-04-06-0	50	2030-011	1	TUBE,BOOM,UPPER,VALVE
11	2030-675	1	ASSY,JOYSTICK,LH	51	2030-111	1	TUBE,LEVELER,REAR
12	0307-882	2	TIE,CABLE,BLACK,18.1",W/STL INSERT BT-5LH-LO	52	2030-113	1	TUBE,LEVELER,FRONT
13	2030-054	1	HOSE,4G1,6FFORX90S,4FFORX,48.00"	53	2030-103	1	TUBE,LEVELER, TOP
14	2030-053	2	HOSE,4G1,4FFORX90S	54	0201-668	2	ADAPTER,FS6801-10-10NW0
15	2030-036	1	HOSE,4G1,4FFORX90M,6FFORX,36.0	55	0201-625	1	VALVE,SELF-LEVELING
16	2030-048	1	HOSE,4G1,4FFORX90S,4FJX,52.00"	56	2030-104	1	TUBE,BOOM,LEVELER
17	0201-311	8	ADAPTER,FS6400-04-04-0	57	0118-168	1	SPOOL,SOLENOID,2POSITION,4WAY
18	0200-364	5	SOLENOID,W/DEUTSCH CONNECTOR	58	2030-222	1	TUBE LOWER QUICK ATTACH (OPTIONAL)
19	2030-064	1	ASSY,LINE,CONTROL,BOTTOM,AUX.	59	2030-221	1	TUBE UPPER QUICK ATTACH (OPTIONAL)
20	2030-067	1	ASSY,LINE,CONTROL, TOP,AUX	60	2030-232	1	TUBE QA C PORT (OPTIONAL)
21	0118-164	1	SPOOL,SOLENOID,3POSITION,4WAY	61	2030-233	1	TUBE QA D PORT (OPTIONAL)
22	0118-165	2	SPOOL,SOLENOID,2POSITION,3WAY	62	8102-134	4	CAPSCREW,HH,5/16-18UNCx1.25GD8 (OPTIONAL)
23	0304-516	1	MAGNET,DETENT	63	0310-584	4	PLATE,COVER TCP-T2 (OPTIONAL)
24	2030-661	1	ASSY,JOYSTICK,RH	64	0201-225	4	CLAMP,SET,T2038-PP (OPTIONAL)
25	0201-152	2	GRIP,CONTROL	65	2030-819	4	RELIEF, WORK PORT, 3500 PSI DIRECT ACTING
26	0201-775	2	BOOT,JOYSTICK,RH	66	2031-077	1	HOSE, -6, 1000PSI, 6FFORX,
27	8104-040	8	CAPSCREW,HH 1/4-28UNF x .75 GD8				
28	8040-396	8	NUT,HEX,NYLOCK,1/4-28 UNF,ZN				
29	2030-055	1	ASSY,LINE,CONTROL,CURL,BUCKET				
30	2030-057	1	ASSY,LINE,CONTROL,DOWN,LOADER				
31	2030-059	1	ASSY,LINE,CONTROL,DUMP,BUCKET				
32	2030-062	1	ASSY,LINE,CONTROL,UP,LOADER				
33	0304-395	2	CLAMP,PILOT LINES				
34	0310-330	2	ADAPTER,10MFFOR-8MB-90				
35	0201-658	2	ADAPTER,10MFFOR-8MB-SV				
36	0310-339	2	ADAPTER,CAP,10FFOR 6V9831(FS0304-C-10)				
37	2030-112	1	TUBE,BUCKET,UPPER,LEVELER				
38	2030-110	1	TUBE,BUCKET,LOWER,LEVELER				
39	0310-318	4	ADAPTER,10MFFOR-10MB				
40	0310-313	1	ADAPTER,12MFFOR-12MB				



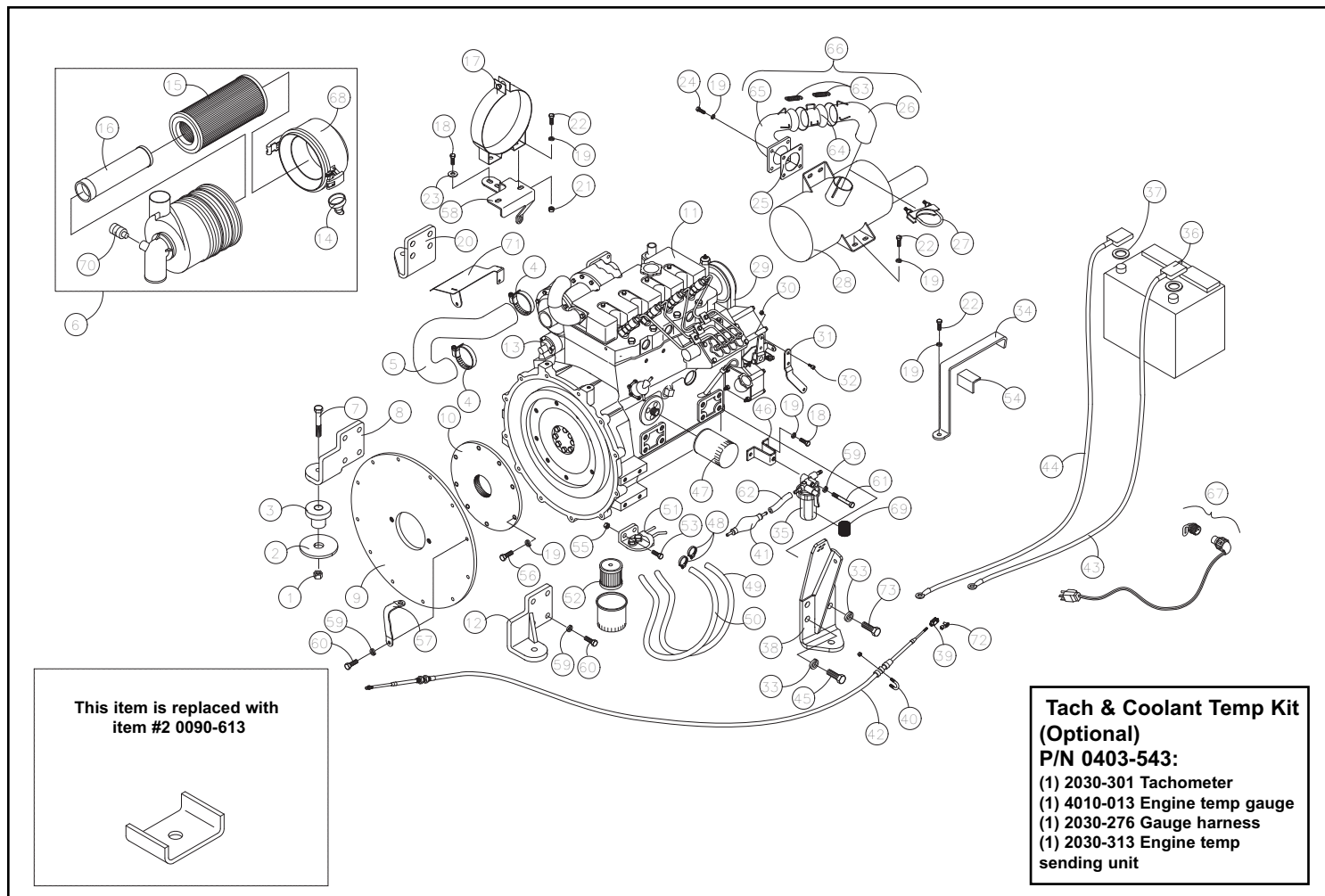
DRIVE/AUXILIARY PUMP ASSEMBLY (R190T 00300- Current)

REF. NO.	PART NUMBER	QTY.	DESCRIPTION	REF. NO.	PART NUMBER	QTY.	DESCRIPTION
1	2031-015	1	HOSE 8G1 8FFORX90L 8FFORX 46.63"	41	8051-272	2	WASHER,SPRING LOCK,3/8,ZN
2	2031-016	1	HOSE 8G1 8FFORX90L 8FFORX 49.5"	42	0310-345	1	ADAPTER,8MFFOR--8MB
3	2031-023	1	HOSE CASE DRAIN TANDEM PUMP TO TANK	43	0090-228	1	ADAPTER 8FFORX-10MB-90 NWO FS6801-08-10-NWO
4	2031-031	1	HOSE -6 1000PSI 6FFORX 6FFORX 28.5"	44	0307-169	1	O-RING,4.0" ID x 4-3/16" OD BUNA 2-155
5	0700-172	8	FLANGE,HALF,12	45	0200-355	1	ADAPTER,SPLINE
6	0700-170	24	WASHER,21 x 22 x 2.5	46	2030-800	1	HOSE
7	0700-171	16	CAPSCREW,HH,M10 x 1.5 x 45	47	0310-328	1	ADAPTER,6MFFOR-6MB-90
8	2031-008	1	HOSE DRIVE LH FWD	48	0200-104	1	HUB,PUMP DRIVE,1 1/4" x 14
9	2031-015	1	HOSE 8G1 8FFORX90L 8FFORX 46.63"	49	2031-004	1	PUMP TANDEM H1
10	2031-007	1	HOSE DRIVE LH REVERSE	50	0404-370	1	KIT RELIEF VALVE CHARGE
11	2030-266	1	HOSE 4GI4FFORX454FFORX45,32.25"	51	0090-423	1	ADAPTER 4601-16-12-NOW
12	2030-263	1	HOSE 4GI4FFORX90S4FFORX, 32.25"	52	0200-172	2	COUPLING,SPLIT,CODE 61,0.75
13	0201-311	2	ADAPTER,FS6400-04-04-0	53	0090-474	1	CLAMP
14	2030-224	1	BLOCK PILOT GEN W/ QA PORTS				
15	0315-006	2	ADAPTER,FS6400-12-16-0				
16	2030-261	1	HOSE RH 2-SPD				
17	0201-654	4	ADAPTER,FS,6400,04,06,SHORT				
18	0310-345	2	ADAPTER,8MFFOR--8MB				
19	2031-011	1	TUBE CHARGE PUMP TO DA HYD TUBE .05 " O.D.				
20	2031-009	1	HOSE DRIVE RH REVERSE				
21	2031-010	1	HOSE DRIVE RH FWD				
22	0200-171	2	COUPLING,SPLIT,CODE 61,1.25"				
23	0310-468	8	CAPSCREW,HH,M10x1.5x35,ZINC				
24	2031-030	1	HOSE -6 1000PSI 6FFORX 6FFORX 22.875"				
25	2031-014	1	WLMT TUBE SUCTION AUX PUMP				
26	8040-486	2	NUT,HEX,NYLOCK,3/8-16 UNC,ZN				
27	2031-022	1	TUBE CASE DRAIN DA Block-PUMP TUBE .0375" O.D.				
28	0310-329	2	ADAPTER,6MFFOR-6MB				
29	0310-346	1	ADAPTER,8MFFOR-8MB-90^				
30	0090-234	1	ADAPTER 8FFOR-12MB FS6400-08-12-O				
31	8102-230	2	CAPSCREW,HH 3/8-16UNCx2.75 GD8				
32	0315-007	2	ADAPTER,FS6801-12-16-NW0				
33	2031-021	1	TUBE DA BLOCK TO TANDEM HYD TUBE .05" O.D.				
34	0090-228	1	ADAPTER 8MFOR-10MB				
35	0403-100	1	RELIEF POSI POWER				
36	0404-368	4	ASSEMBLY PLUG VALVE SCR				
37	0303-238	2	CLAMP,HOSE,				
38	0304-528	1	HOSE,RES,1.5x9				
39	7001-414	1	PUMP,HYD,AUX				
40	8102-222	2	CAPSCREW,HH,3/8-16 UNCx1.0.GD8.ZN				



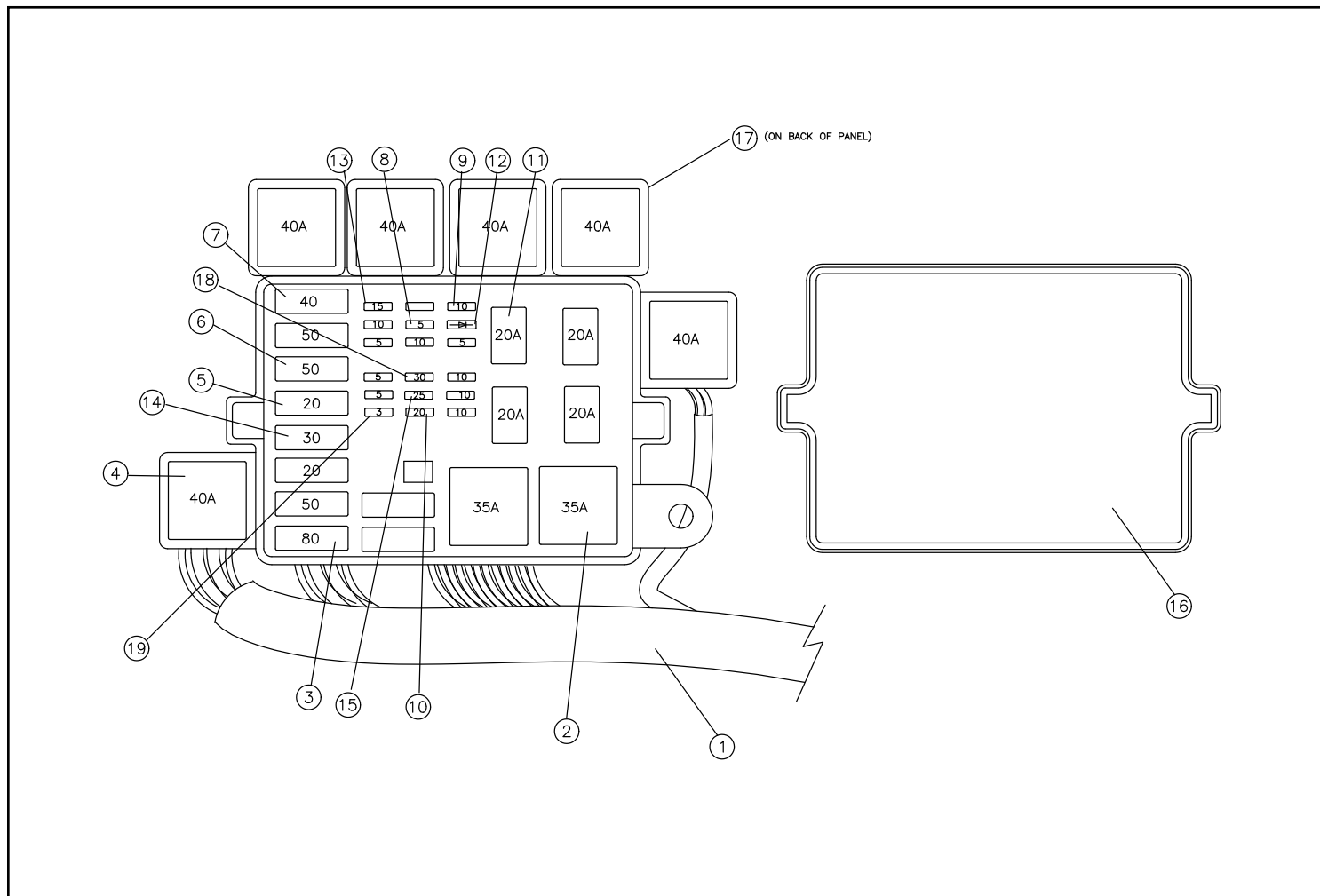
ENGINE ASSEMBLY (R190T 00300- Current)

REF. NO.	PART NUMBER	QTY.	DESCRIPTION	REF. NO.	PART NUMBER	QTY.	DESCRIPTION
1	8040-726	4	NUT,HEX,NYLOCK,5/8-11 UNC,ZN	41	0304-835	1	BULB,PRIMER
2	0090-613	4	WASHER, 2.5" OD X .64" ID X .179	42	0300-455	1	CABLE,THROTTLE
3	0300-458	4	MOUNT,ENGINE,REAR	43	4046-090	1	CABLE BATTERY GROUND
4	0303-238	2	CLAMP,HOSE	44	2030-588	1	CABLE,BATTERY,POSITIVE
5	0200-495	1	HOSE,INTAKE,3024cT	45	0304-131	8	CAPSCREW,HH, M14-1.5 X30MM,GD8
6	0200-157	1	ASSY,CLEANER,AIR	46	0200-178	1	WLMT,BRKT,MNT,FILTER
7	8102-561	4	CAPSCREW,HH,5/8-11UNCx3.00,GD8	47	0200-377	1	FILTER,OIL,ENGINE (PERKINS #140517050)
8	0200-165	1	WLMT,MNT,ENGINE,RH	48	0300-732	4	CLAMP,HOSE,#4
9	0304-900	1	MNT,PLATE,PUMP	49	0304-509	1	HOSE,FUEL,5/16x26"
10	0304-507	1	PLATE,FLYWHEEL	50	0304-510	1	HOSE,FUEL,5/16x34"
11	2031-051	1	ENGINE PERKINS SERVICE REPLACEMENT	51	0200-215	1	ASSY,FILTER,FUEL,PERKINS,404C22
12	0200-166	1	WLMT,MNT,ENGINE,LH	52	0200-213	1	FILTER,FUEL,PERKINS,404C22
13	0200-562	1	STARTER (PERKINS #185086600)	53	8102-220	2	CAPSCREW,HH,3/8-16x0.75",GD8
14	0304-503	1	VALVE,DUST	54	0310-501	1	GUARD,BATTERY
15	0200-339	1	FILTER,AIR,PRIMARY	55	8040-486	2	NUT,HEX,NYLOCK,3/8-16 UNC,ZN
16	0200-340	1	FILTER,AIR,SECONDARY	56	8102-132	8	CAPSCREW,HH,5/16-18UNCx1.0 GD8
17	0200-158	1	BAND,MNT,AIR CLEANER	57	0300-546	1	CABLE,GROUND,ENGINE
18	0200-329	5	CAPSCREW,HH,M8x1.25x16MM	58	0200-159	1	BRKT,MNT,AIR CLEANER
19	8051-242	17	WASHER,SPRING LOCK,5/16,ZN	59	8051-272	21	WASHER,SPRING LOCK,3/8,ZN
20	0200-034	1	MNT,ENGINE,REAR,RH	60	8102-222	20	CAPSCREW,HH,3/8-16 UNCx1.0,GD8
21	8040-426	2	NUT,HEX,NYLOCK,5/16-18 UNC,ZN	61	8102-138	1	CAPSCREW,HH,5/16-18 X 2.25 GD8
22	8102-130	7	CAPSCREW,HH 5/16-18x3/4,GR8	62	0304-351	1	CHANNEL,TREAD,LOADER RC-30
23	8050-247	2	WASHER,WROUGHT,5/16,SAE,ZN	63	0200-335	6	SPRING,TAILPIPE
24	0300-211	4	CAPSCREW,M8 x 1.25 x 25MM LG	64	0200-333	1	TAILPIPE,CENTER
25	0304-511	1	GASKET,MUFFLER	65	2030-148	1	PIPE,EXHAUST,FLANGE END
26	2030-149	1	PIPE,EXHAUST,MUFFLER END	66	2030-100	1	ASSY,PIPE,EXHAUST,3024cT
27	0300-263	1	CLAMP,MUFFLER,2"	67	0304-549	1	HEATER,BLOCK
28	0200-122	1	MUFFLER PT60	68	0200-560	1	CAP,AIR CLEANER
29	2030-632	1	BELT FAN	69	0200-617	1	SCREEN,FILTER,WATER
30	8040-246	2	NUT,HEX,NYLOCK,10-24 UNC,ZN	70	0200-313	1	INDICATOR,AIRCLEANER
31	0304-078	1	LEVER,THROTTLE	71	2030-279	1	GUARD,RAIN, STARTER
32	8105-429	2	CAPSCREW,SOC HD,10-24X5/8,BLZN	72	0403-642	2	PIN CLIP
33	0304-839	8	WASHER,SPRING LOCK,14MM	73	0090-561	1	CAPSCREW M14-1.5 X 25MM DIN 961 CLASS
34	0200-691	1	STRAP,HOLD-DOWN,BATTERY				
35	0200-338	1	ASSY,FILTER,WATER				
36	2051-439	1	BATTERY,50 SERIES				
37	0301-083	2	PROTECTOR,POST,BATTERY				
38	2030-433	1	WLMT,MNT,ENGINE,LH,REAR				
39	0403-641	2	CLEVIS (THROTTLE CABLE)				
40	0300-581	1	W/NUTS,U-BOLT,1/4-20				



FUSE PANEL ASSEMBLY (R190T 00300- Current)

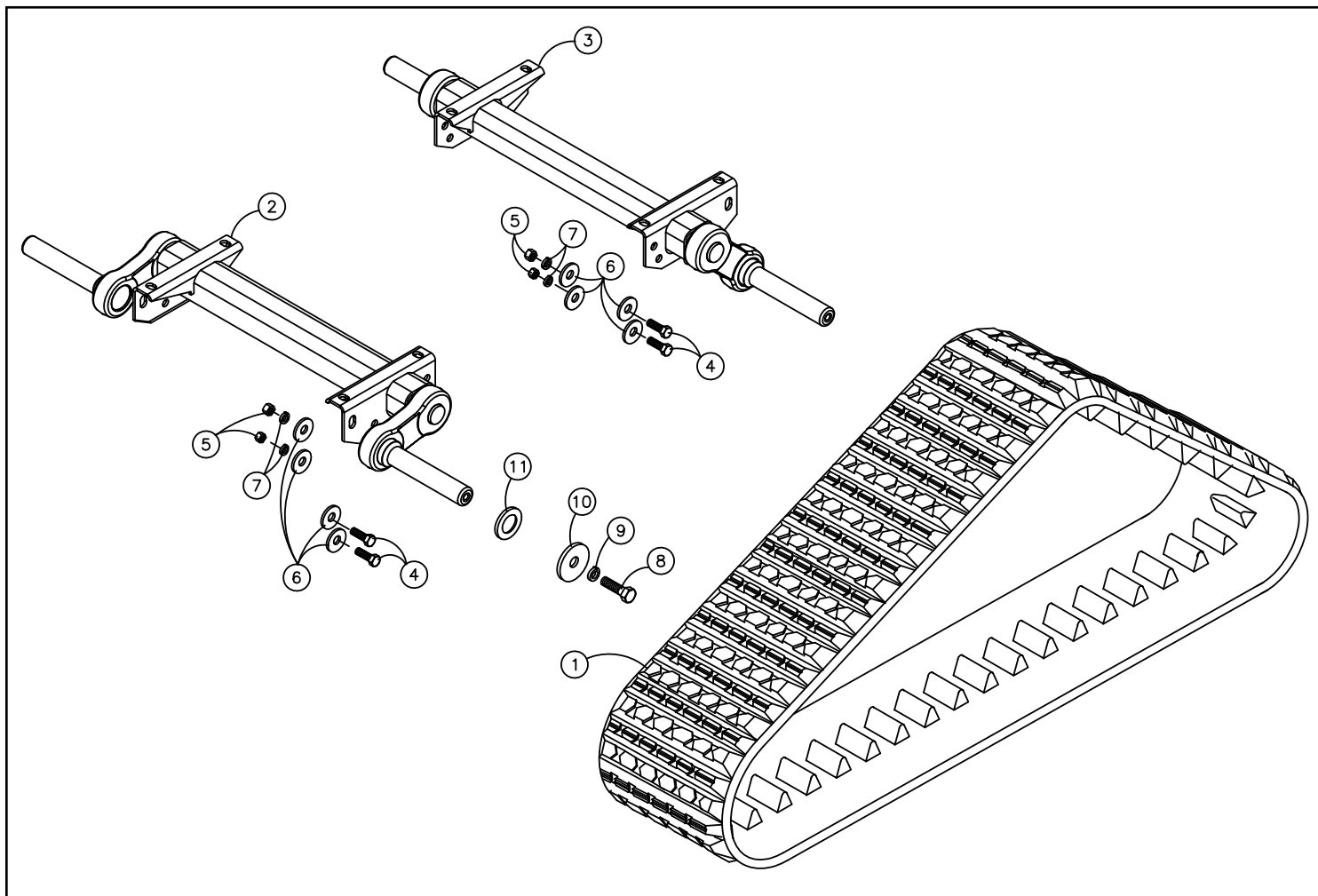
REF. NO.	PART NUMBER	QTY.	DESCRIPTION	REF. NO.	PART NUMBER	QTY.	DESCRIPTION
1	-----	1	HARNES MAIN --SEE HARNESSES ON PAGE III				
2	0310-807	2	RELAY,MINI, 35 AMP				
3	0310-805	1	FUSE,MAXI, 80 AMP				
4	0304-519	6	RELAY,PLUG,GLOW				
5	0310-800	1	FUSE,MAXI,20 AMP				
6	0310-803	2	FUSE,MAXI, 50 AMP				
7	0310-802	2	FUSE,MAXI, 40 AMP				
8	0310-794	5	FUSE,MINI, 5 AMP				
9	0310-795	6	FUSE,MINI,10 AMP				
10	0310-797	2	FUSE,MINI,20 AMP				
11	0310-806	4	RELAY,MICRO, 20 AMP				
12	0310-811	1	DIODE, 3 AMP				
13	0310-796	1	FUSE,MINI,15 AMP				
14	0310-801	1	FUSE,MAXI, 30 AMP				
15	0310-798	1	FUSE,MINI,25 AMP				
16	2030-196	1	COVER,PANEL,FUSE,W/DECALS,RC60				
17	0200-510	1	RESISTOR,330HM/3WATT,OHMITE43F				
18	0310-799	1	FUSE,MINII, 30 AMP				
19	0310-793	1	FUSE,MINI,2 AMP				



TORSION AXLE ASSEMBLY (R190T 00300- 00393)

Section 12

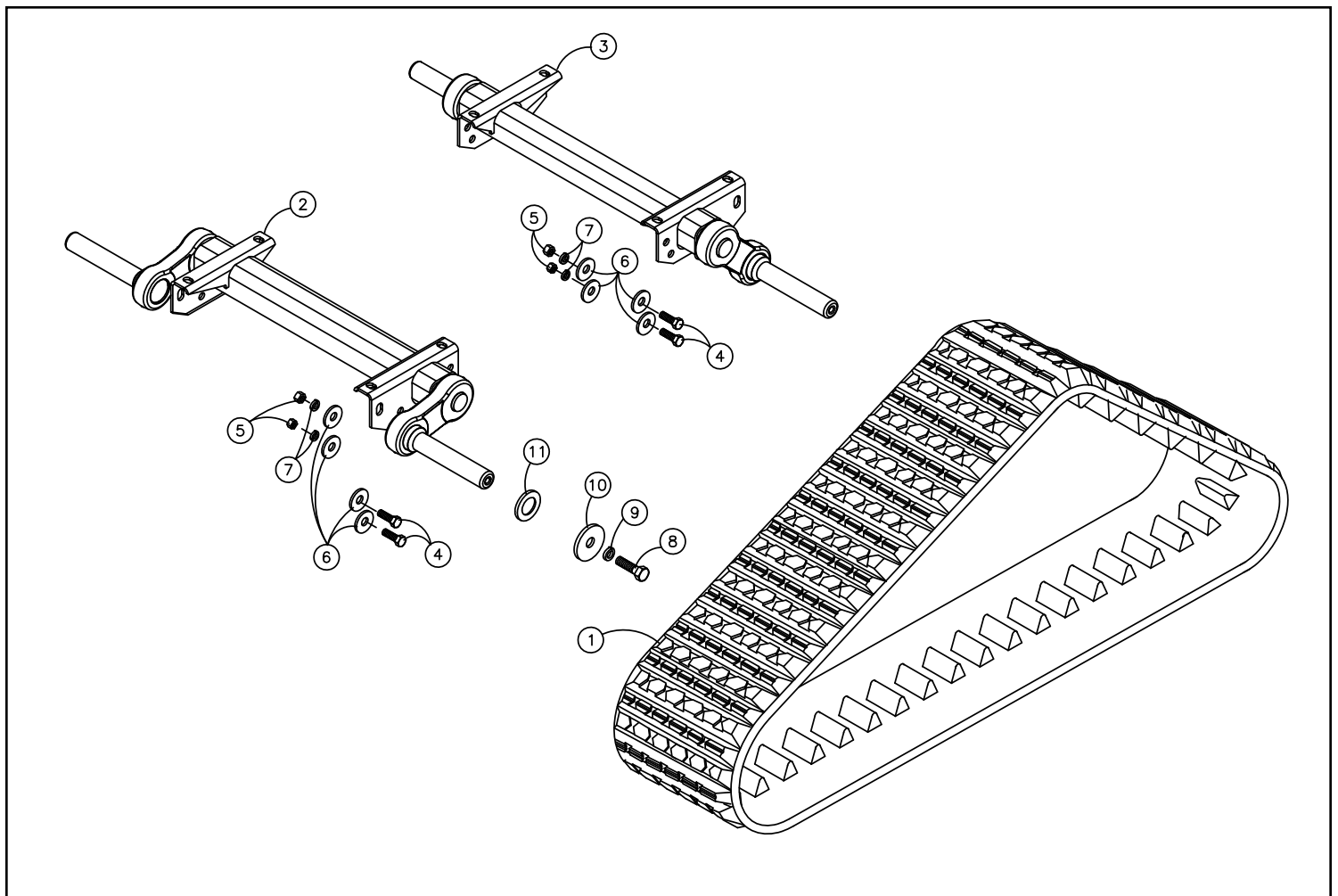
REF. NO.	PART NUMBER	QTY.	DESCRIPTION	REF. NO.	PART NUMBER	QTY.	DESCRIPTION
1	0702-441	2	TRACK,15 x 165.9				
2	2030-807	1	AXLE TORSION FRONT				
3	2030-649	1	AXLE TORSION REAR				
4	8102-586	16	CAPSCREW,HH,5/8-11X1.75ZN,GD8				
5	8040-726	16	NUT,HEX,NYLOCK,5/8-11 UNC,ZN				
6	8050-408	32	WASHER,FLAT,5/8,THICK				
7	8051-431	16	WASHER,SPRING LOCK,5/8,ZN				
8	0200-341	4	CAPSCREW,HH,3/4-16x2.25,GD8				
9	8051-440	4	WASHER,SPRING LOCK,3/4,ZN				
10	0200-287	4	WASHER,1/2"THICK				
11	0702-503	4	TUBE SPACER				



TORSION AXLE ASSEMBLY (R190T 00394- Current)

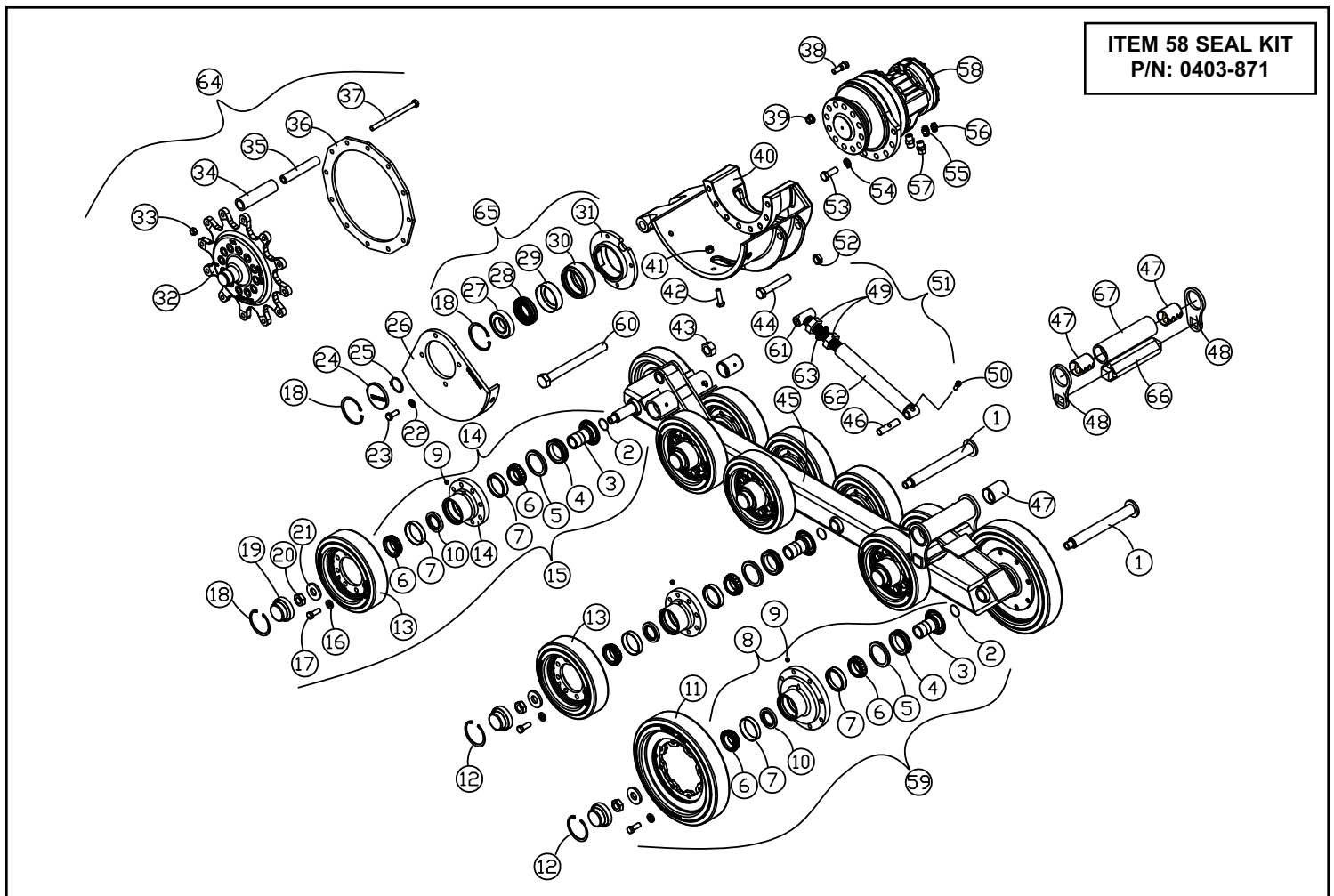
Section 12

REF. NO.	PART NUMBER	QTY.	DESCRIPTION	REF. NO.	PART NUMBER	QTY.	DESCRIPTION
1	0702-441	2	TRACK,15 x 165.9				
2	2030-846	1	AXLE TORSION FRONT				
3	2030-649	1	AXLE TORSION REAR				
4	8102-586	16	CAPSCREW,HH,5/8-11X1.75ZN,GD8				
5	8040-726	16	NUT,HEX,NYLOCK,5/8-11 UNC,ZN				
6	8050-408	32	WASHER,FLAT,5/8,THICK				
7	8051-431	16	WASHER,SPRING LOCK,5/8,ZN				
8	0200-341	4	CAPSCREW,HH,3/4-16x2.25,GD8				
9	8051-440	4	WASHER,SPRING LOCK,3/4,ZN				
10	0200-287	4	WASHER,1/2"THICK				
11	0702-503	4	TUBE SPACER				



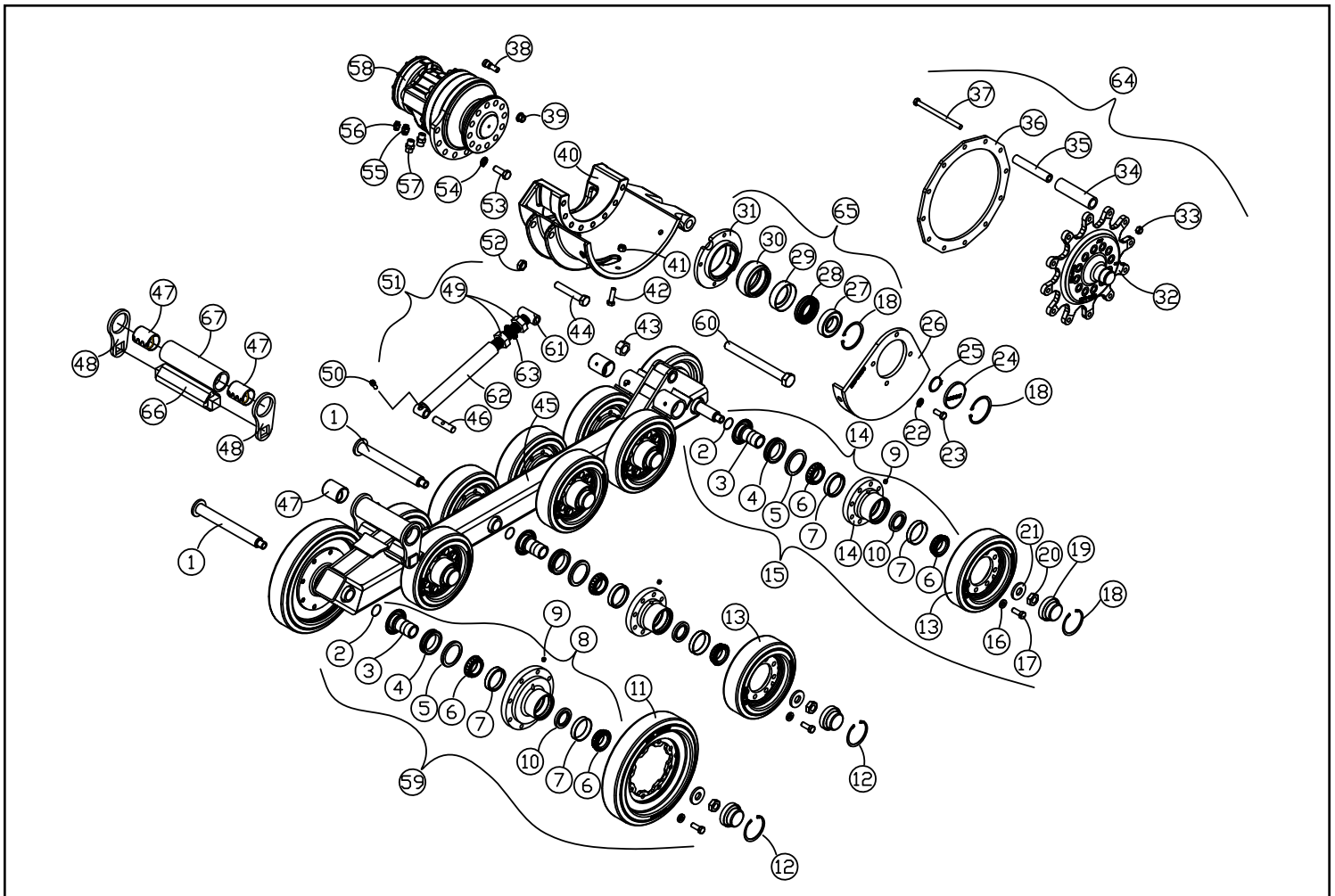
UNDERCARRIAGE ASSEMBLY RT (R190T 00300- Current)

REF. NO.	PART NUMBER	QTY.	DESCRIPTION	REF. NO.	PART NUMBER	QTY.	DESCRIPTION
1	0702-317	6	WLMT AXLE WHEEL	41	8040-606	3	NUT,HEX,NYLOCK,1/2-13 UNC,ZN
2	2035-596	12	O-RING 1/16 x 1.375 x 1.5 NITRILE, -028	42	8102-406	3	CAPSCREW,HH,1/2-13UNCx1.75,GD8
3	0702-367	12	WLMT RETAINER 53MM	43	8043-806	1	NUT,HEX,1-8 UNC,STEEL LOCK,ZN
4	0702-597	12	SEAL EKK	44	8102-685	1	CAPSCREW,HH 3/4-10UNCx 4.5 GD8
5	2035-391	12	RETAINER INNER 53MM	45	0702-551	1	WLMT RAIL ALPHA BOLT-ON
6	0702-509	24	BEARING CONE	46	2035-308	1	PIN,TENSIONER,THREADED
7	0702-508	24	BEARING CUP	47	2035-214	4	BUSHING,SPRING,1.75x2.00x2.50
8	0702-610	2	ASSY, HUB 14"	48	0702-409	2	PLATE JOINT SWING
9	2035-479	12	PLUG 1/8" NPT HEX CS	49	0090-317	2	NUT HEX 1.25-7 UNC JAM ZINC
10	0702-368	12	SEAL LIP	50	2035-471	1	CAPSCREW SOC HD 3/8-16 x 1
11	0702-264	2	WHEEL 14" W/PLATE	51	0702-521	1	ASSY TENSIONER
12	0702-371	10	SNAP RING .093 x .325	52	0304-722	1	NUT,HEX,JAM,LOCKING,3/4-10UNC,
13	2035-644	10	WHEEL 10" ALPHA BOLT ON	53	8102-586	12	CAPSCREW,HH,5/8-11X1.75ZN,GD8
14	0702-600	10	ASSY, HUB 10"	54	8051-431	12	WASHER,SPRING LOCK,5/8,ZN
15	0702-373	10	ASSY WHEEL 10"	55	0310-345	1	ADAPTER,8MFFOR--8MB
16	0090-136	96	WASHER HARD 1.0 X .531 X .197	56	0201-309	1	ADAPTER,FS6400-04-06-0
17	2035-659	96	CAPSCREW HH 1/2-13 x 1.375 GR8	57	0310-313	2	ADAPTER,12MFFOR-12MB
18	0700-144	4	RING,SNAP,INT,85mm	58	0702-335	1	MOTOR HYD
19	0702-365	12	CAP HUB RUBBER BONDED	59	0702-374	2	ASSY WHEEL 14" RUBBER
20	2035-595	12	NUT HEX JAM LOCKING 7/8-9 UNC	60	8102-890	1	CAPSCREW,HH,1.0 x 8UNC x 10.0,
21	0702-364	12	WASHER HARD .25 x 2.125 x .935	61	0702-507	1	WLMT TENSIONER THREADED
22	8051-332	4	WASHER,SPRING LOCK,1/2,ZN	62	0702-473	1	WLMT TENSIONER TUBE
23	8102-404	4	CAPSCREW,HH 1/2-13UNCx1.25 GD8	63	0090-262	1	WASHER SAFETY S33-1.25"
24	0702-294	1	END CAP 3.346 x .295	64	0702-196	1	ASSY,SPROCKET ALPHA/RC60/RC50
25	0700-145	1	RING,SNAP,EXT,45mm	65	0403-674	1	ASSY HSG BEARING
26	0702-024	1	WLMT,PLATE,BEARING	66	0702-413	1	AXLE SWING JOINT
27	0702-324	1	BEARING (6209)	67	0702-410	1	TUBE MNT AXLE
28	2035-134	1	SEAL 1.975 x 3.370 x .763				
29	0702-295	1	RETAINER SEAL				
30	0702-293	1	HOUSING BEARING				
31	0702-292	1	FLANGE BEARING				
32	0702-230	1	SPROCKET,CAST,MACHINED				
33	0700-124	12	NUT,TOPLock,1/2-13UNC,ZN,GD8				
34	0200-003	12	TUBE,COVER				
35	0200-004	12	TUBE,INNER				
36	0702-048	1	RING,SPROCKET,ALPHA				
37	8102-423	12	CAPSCREW,HH,1/2-13UNCx7.25,GD8				
38	0210-001	12	STUD,WHEEL,M14x1.5 174862				
39	0200-282	12	NUT,FLANGE,M14x1.5				
40	0702-225	1	TABLE,MACHINED,RH				



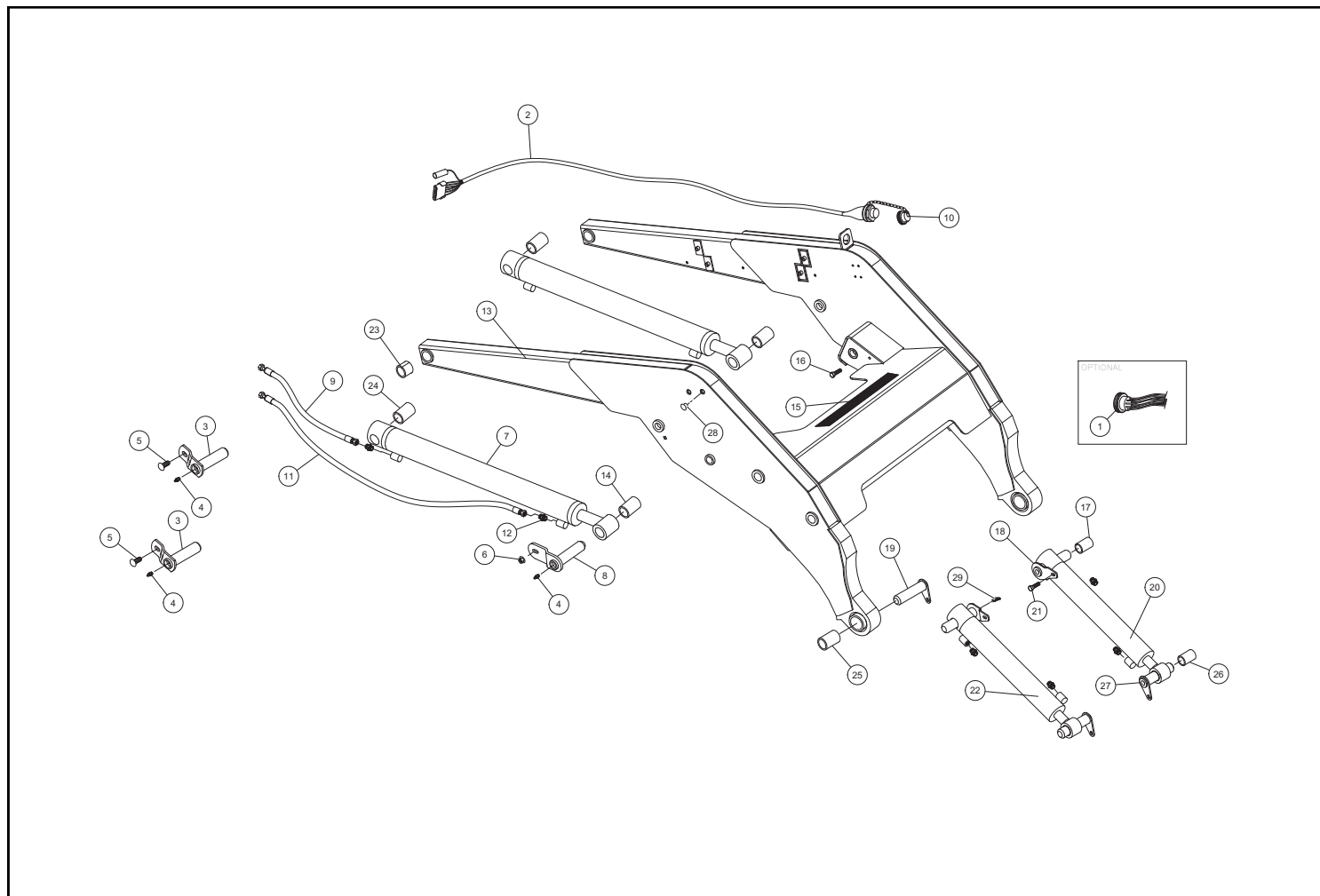
UNDERCARRIAGE ASSEMBLY LT (R190T 00300- Current)

REF. NO.	PART NUMBER	QTY.	DESCRIPTION	REF. NO.	PART NUMBER	QTY.	DESCRIPTION
1	0702-317	6	WLMT AXLE WHEEL	41	8040-606	3	NUT,HEX,NYLOCK,1/2-13 UNC,ZN
2	2035-596	12	O-RING 1/16 x 1.375 x 1.5 NITRILE, -028	42	8102-406	3	CAPSCREW,HH,1/2-13UNCx1.75,GD8
3	0702-367	12	WLMT RETAINER 53MM	43	8043-806	1	NUT,HEX,1-8 UNC,STEEL LOCK,ZN
4	0702-597	12	SEAL EKK	44	8102-685	1	CAPSCREW,HH 3/4-10UNCx 4.5 GD8
5	2035-391	12	RETAINER INNER 53MM	45	0702-551	1	WLMT RAIL ALPHA BOLT-ON
6	0702-509	24	BEARING CONE	46	2035-308	1	PIN,TENSIONER,THREADED
7	0702-508	24	BEARING CUP	47	2035-214	4	BUSHING,SPRING,1.75x2.00x2.50
8	0702-610	2	ASSY, HUB 14"	48	0702-409	2	PLATE JOINT SWING
9	2035-479	12	PLUG 1/8" NPT HEX CS	49	0090-317	2	NUT HEX 1.25-7 UNC JAM ZINC
10	0702-368	12	SEAL LIP	50	2035-471	1	CAPSCREW SOC HD 3/8-16 x 1
11	0702-264	2	WHEEL 14" W/PLATE	51	0702-521	1	ASSY TENSIONER
12	0702-371	10	SNAP RING .093 x .325	52	0304-722	1	NUT,HEX,JAM,LOCKING,3/4-10UNC,
13	2035-644	10	WHEEL 10" ALPHA BOLT ON	53	8102-586	12	CAPSCREW,HH,5/8-11X1.75ZN,GD8
14	0702-600	10	ASSY, HUB 10"	54	8051-431	12	WASHER,SPRING LOCK,5/8,ZN
15	0702-373	10	ASSY WHEEL 10"	55	0310-345	1	ADAPTER,8MFFOR--8MB
16	0090-136	96	WASHER HARD 1.0 X .531 X .197	56	0201-309	1	ADAPTER,FS6400-04-06-0
17	2035-659	96	CAPSCREW HH 1/2-13 x 1.375 GR8	57	0310-313	2	ADAPTER,12MFFOR-12MB
18	0700-144	4	RING,SNAP,INT,85mm	58	0702-641	1	MOTOR HYD
19	0702-365	12	CAP HUB RUBBER BONDED	59	0702-374	2	ASSY WHEEL 14" RUBBER
20	2035-595	12	NUT HEX JAM LOCKING 7/8-9 UNC	60	8102-890	1	CAPSCREW,HH,1.0 x 8UNC x 10.0,
21	0702-364	12	WASHER HARD .25 x 2.125 x .935	61	0702-507	1	WLMT TENSIONER THREADED
22	8051-332	4	WASHER,SPRING LOCK,1/2,ZN	62	0702-473	1	WLMT TENSIONER TUBE
23	8102-404	4	CAPSCREW,HH 1/2-13UNCx1.25 GD8	63	0090-262	1	WASHER SAFETY S33-1.25"
24	0702-294	1	END CAP 3.346 x .295	64	0702-196	1	ASSY,SPROCKET ALPHA/RC60/RC50
25	0700-145	1	RING,SNAP,EXT,45mm	65	0403-674	1	ASSY HSG BEARING
26	0702-024	1	WLMT,PLATE,BEARING	66	0702-413	1	AXLE SWING JOINT
27	0702-324	1	BEARING (6209)	67	0702-410	1	TUBE MNT AXLE
28	2035-134	1	SEAL 1.975 x 3.370 x .763				
29	0702-295	1	RETAINER SEAL				
30	0702-293	1	HOUSING BEARING				
31	0702-292	1	FLANGE BEARING				
32	0702-230	1	SPROCKET,CAST,MACHINED				
33	0700-124	12	NUT,TOPLock,1/2-13UNC,ZN,GD8				
34	0200-003	12	TUBE,COVER				
35	0200-004	12	TUBE,INNER				
36	0702-048	1	RING,SPROCKET,ALPHA				
37	8102-423	12	CAPSCREW,HH,1/2-13UNCx7.25,GD8				
38	0210-001	12	STUD,WHEEL,M14x1.5 174862				
39	0200-282	12	NUT,FLANGE,M14x1.5				
40	0702-226	1	TABLE,MACHINED,LH				



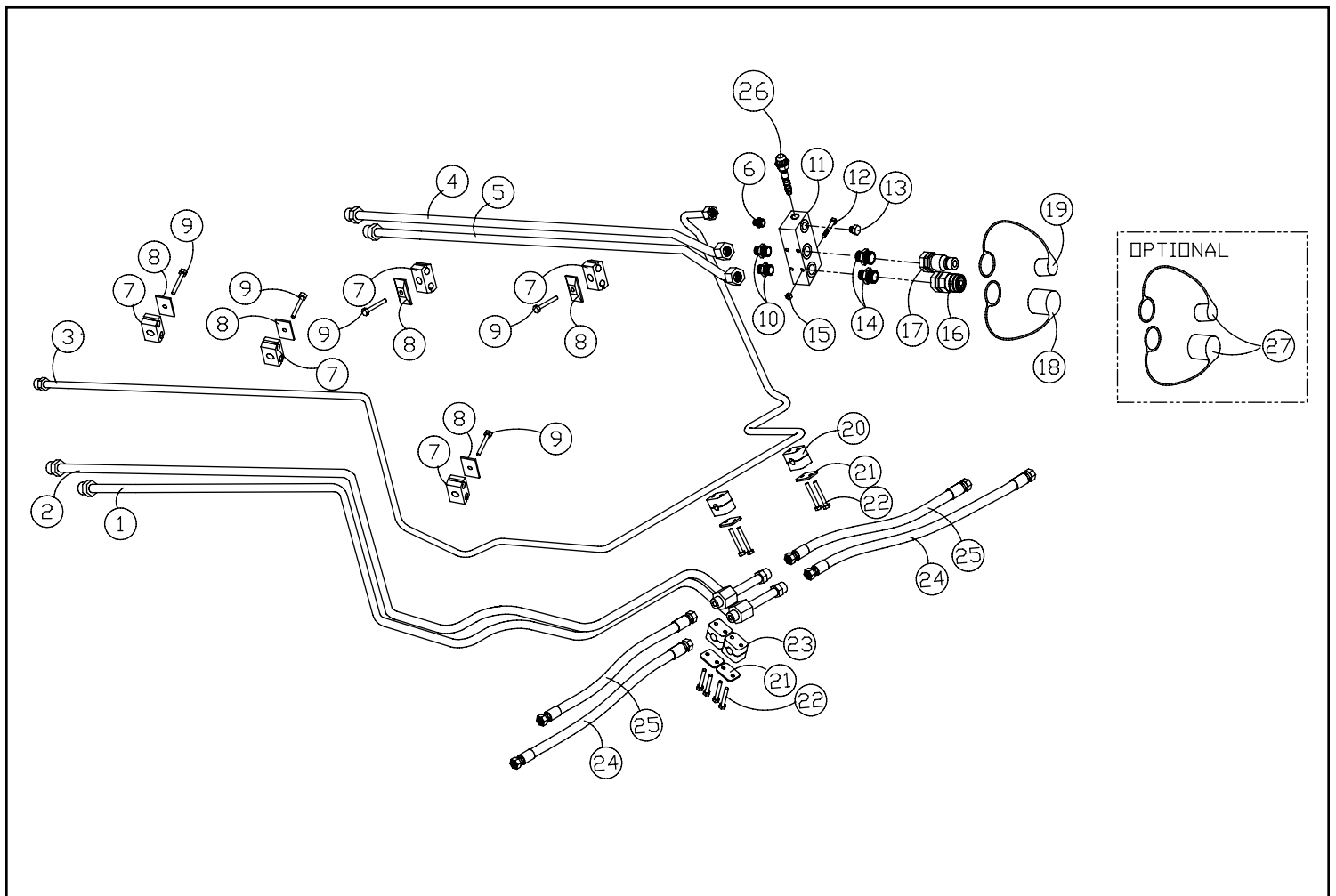
LIFT ARM ASSEMBLY (R190T 00300- Current)

REF. NO.	PART NUMBER	QTY.	DESCRIPTION	REF. NO.	PART NUMBER	QTY.	DESCRIPTION
1	0201-771	1	HARNESS,ELEC,AUX,RC100/85/60				
2	2010-689	1	HARNESS AUX PWR ACT				
3	2030-562	4	WLMT PIN 1.5 X 4.51				
4	0300-607	10	ZERK,GREASE,1/4-28				
5	8011-222	4	BOLT,CARRIAGE,3/8-16 UNCx1.0,Z				
6	0314-269	6	NUT,FLANGE,TOPLK,3/8-16UNC,GDG				
7	2030-824	2	CYLINDER BOOM				
8	2030-546	2	WLMT PIN BOOM				
9	2030-069	2	HOSE,10M4K,10FFORX,10FFORX,28.				
10	0201-770	1	CAP.W/CHAIN				
11	2030-070	2	HOSE,10M4K,10FFORX,10FFORX,50.				
12	0310-345	8	ADAPTER,8MFFOR--8MB				
13	2030-535	1	WLMT LOADER PT50/60				
14	0003-053	2	BUSHING Ø1.50IDx2.00				
15	0304-496	1	PAD,SKID				
16	8102-220	2	CAPSCREW,HH,3/8-16x0.75",GD8				
17	2030-654	2	BUSHING Ø1.50IDx2.50				
18	2030-550	2	WLMT PIN 1.5" x 5.375"				
19	2040-115	2	WLMT PIN 6.00"				
20	2030-803	1	CYLINDER BUCKET TILT LH				
21	8102-222	4	CAPSCREW,HH,3/8-16 UNCx1.0,GD8				
22	2030-804	1	CYLINDER BUCKET TILT RH				
23	2030-573	4	BUSHING CONNEX 1.5ID X 1.75OD x 1 7/16L				
24	2030-655	2	BUSHING Ø1.50IDx3.00				
25	2030-580	4	BUSHING SPRING 1.5" ID x 2" OD				
26	0003-056	2	BUSHING Ø1.50IDx2.375				
27	2040-325	2	WLMT, PIN, QA TILT,6.00				
28	0090-562	4	PLUG				
29	0090-382	2	ZERK 1/4-28 45 DEGREE LONG				



LIFT ARM TUBES AND FITTINGS (R190T 00300- Current)

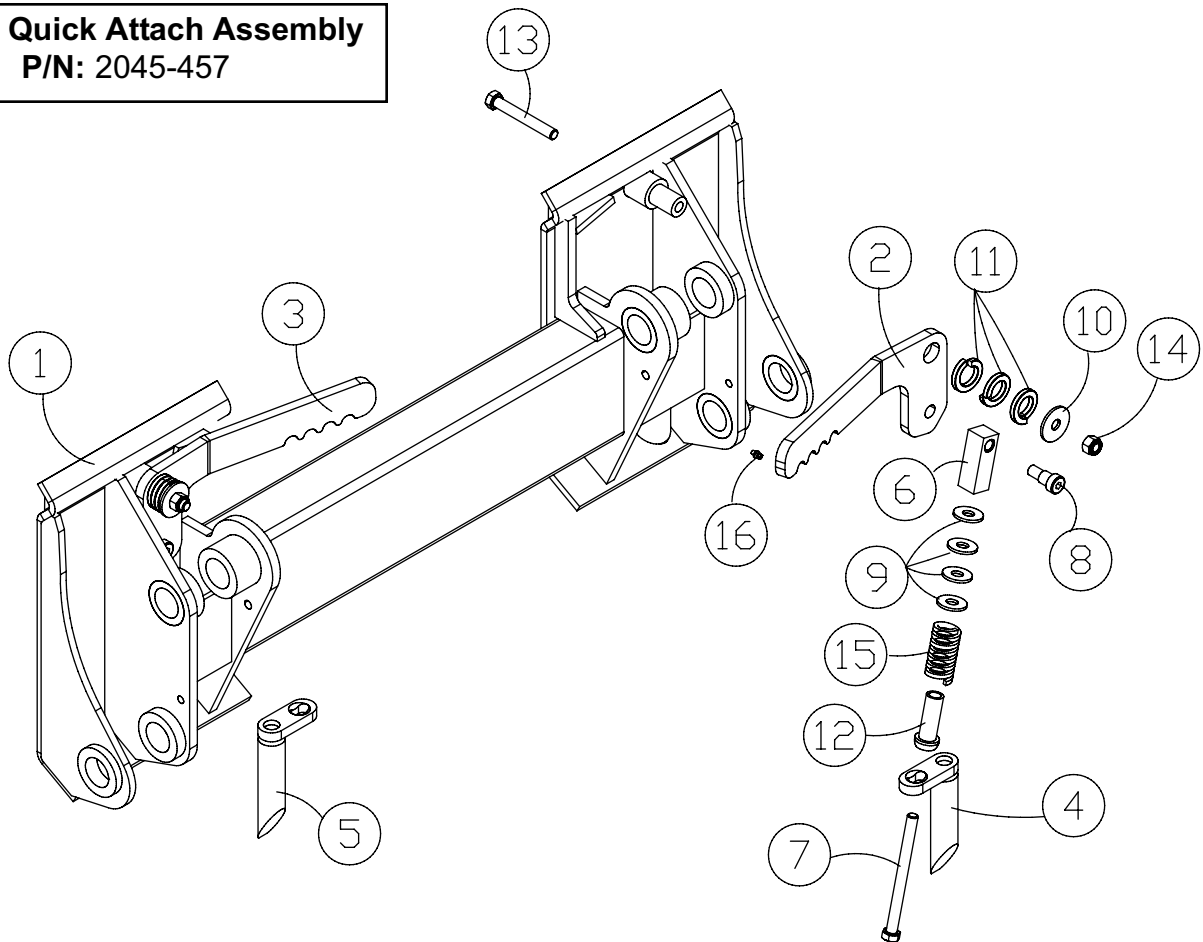
REF. NO.	PART NUMBER	QTY.	DESCRIPTION	REF. NO.	PART NUMBER	QTY.	DESCRIPTION
1	2030-010	1	TUBE,BUCKET,LOWER				
2	2030-009	1	TUBE,BUCKET,UPPER				
3	2030-008	1	TUBE,CASE DRAIN,QD				
4	2030-001	1	TUBE,AUX,UPPER,QD				
5	2030-002	1	TUBE,AUX,LOWER,QD				
6	0310-567	1	ADAPTER,8MFFOR-6MB				
7	0310-831	4	CLAMP, SET, T2062-PP				
8	0310-584	9	PLATE,COVER TCP-T2				
9	8102-134	9	CAPSCREW,HH,5/16-18UNCx1.25GD8				
10	0201-658	2	ADAPTER,10MFFOR-8MB-S				
11	0304-876	1	MANIFOLD,AUX,HYD				
12	8102-050	4	CAPSCREW,HH,1/4-20,UNC,2.75ZN,				
13	0304-356	1	PLUG,9/16-18,LOADER RC-30				
14	0200-296	2	ADAPTER,O-RING HEX NIPPLE,10-8				
15	8040-366	4	NUT,HEX,NYLOCK,1/4-20 UNC,ZN				
16	0310-076	1	COUPLER,QUICK,FF,FEMALE,7/8-14				
17	0310-077	1	COUPLER,QUICK,FF,MALE,7/8-14UN				
18	0310-241	1	COVER,DUST,1/2,F				
19	0310-240	1	COVER,DUST,1/2,M				
20	0201-402	5	CLAMP,SET,2050-PP				
21	0201-224	7	COVER,CLAMP,COP-2				
22	8102-044	14	CAPSCREW,HH,1/4-20UNCx1.25,GD8				
23	0201-223	2	CLAMP,SET,2062-PP				
24	0201-488	2	HOSE,8M4K,23.50"				
25	0201-489	2	HOSE,8M4K,17.50"				
26	0201-838	1	SPOOL,VALVE,QD BLOCK				
27	0402-886	1	KIT,DUST,COVER,RC60/50				



QUICK ATTACH ASSEMBLY (R190T 00300- Current)

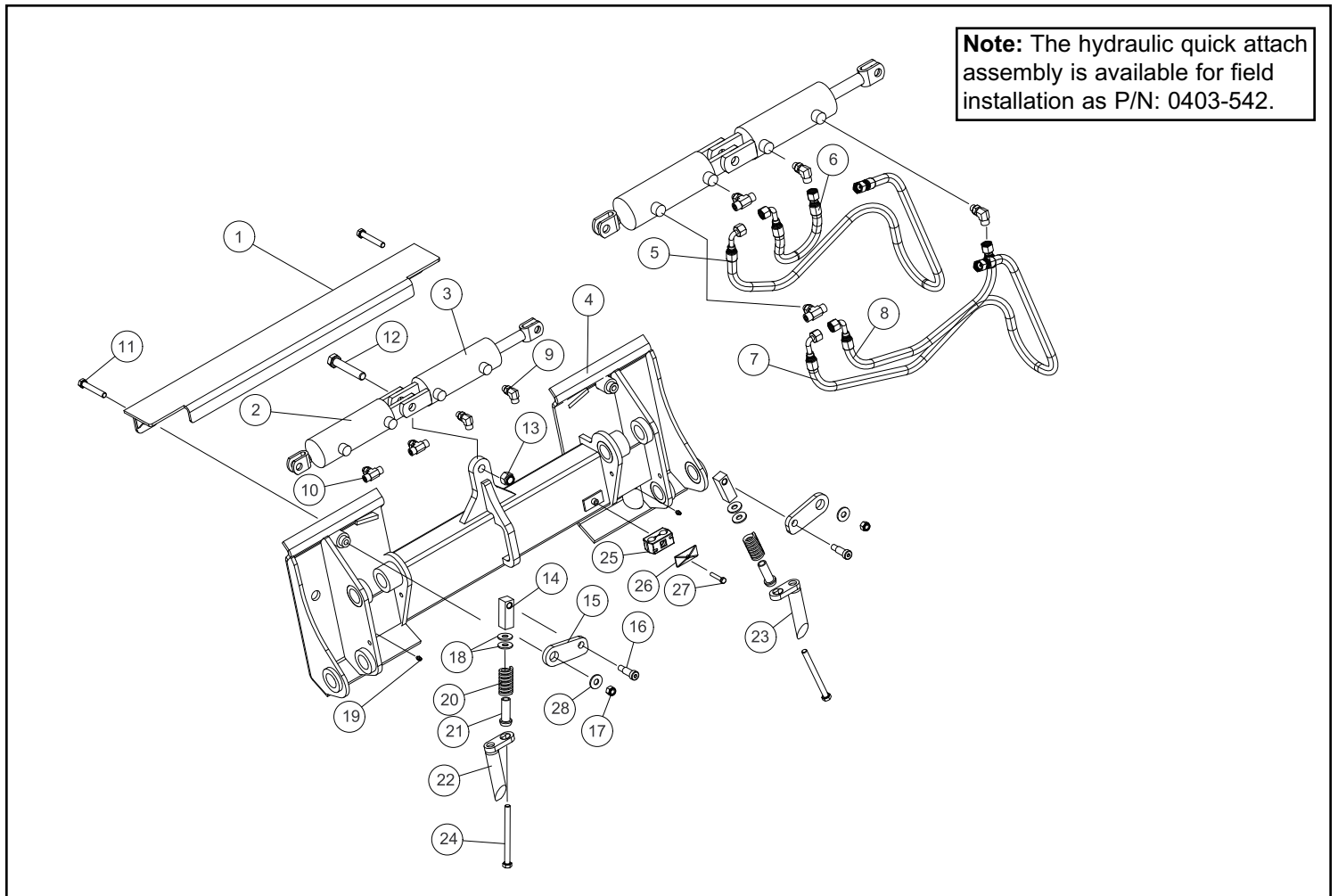
REF. NO.	PART NUMBER	QTY.	DESCRIPTION	REF. NO.	PART NUMBER	QTY.	DESCRIPTION
1	2045-359	1	WLMT,QUICK-ATTACH,MANUAL				
2	2045-761	1	HANDLE,QA,LH				
3	2045-762	1	HANDLE,QA,RH				
4	2046-405	1	WLMT PIN RH				
5	2046-406	1	WLMT PIN LH				
6	2045-245	2	BLOCK LATCH				
7	8102-418	2	CAPSCREW,HH,1/2-13UNCx 6.0,GD8				
8	0090-002	2	BOLT,SHOULDER,5/8"x.625" GD 8				
9	8050-347	8	WASHER,WROUGHT,1/2,STD,ZN				
10	2015-018	2	WASHER,FENDER,1.75x0.53x0.125				
11	8051-620	6	WASHER,SPRING LOCK,1.0,ZN				
12	0400-621	2	SPOOL,PIVOT				
13	0304-799	2	CAPSCREW,HH,1/2-13UNCx3.75,GD8				
14	8040-606	2	NUT,HEX,NYLOCK,1/2-13 UNC,ZN				
15	0400-651	2	SPRING,COMPRESSION				
16	0300-607	2	ZERK,GREASE,1/4-28				

Manual Quick Attach Assembly
P/N: 2045-457



HYDRAULIC QUICK ATTACH ASSEMBLY (OPTIONAL) (R190T 00300- Current)

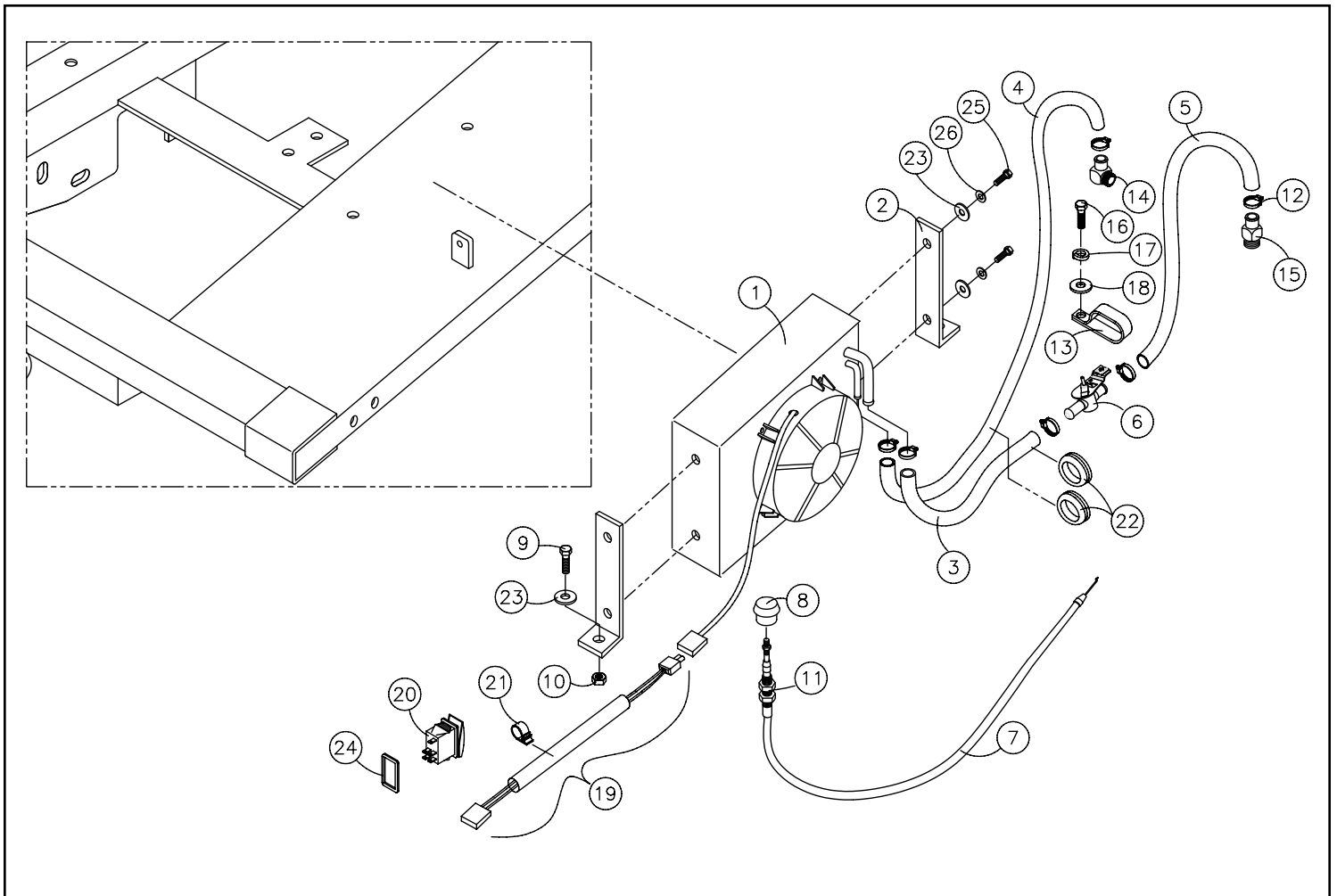
REF. NO.	PART NUMBER	QTY.	DESCRIPTION	REF. NO.	PART NUMBER	QTY.	DESCRIPTION
1	7006-488	1	WLMT, GUARD, QA				
2	2046-316	1	CYLINDER QA LH				
3	2046-317	1	CYLINDER QA RH				
4	2045-235	1	WLMT QUICK-ATTACH HYD				
5	0201-566	1	HOSE, 6M4K-6FFORX90S-6FFORX-49.				
6	0201-545	1	HOSE, 6M4K-6FFORX-6FFORX90S-14.				
7	0201-565	1	HOSE, 6M4K-6FFORX90S-6FFORX-53.				
8	0201-544	1	HOSE, 6M4K-6FFORX-6FFORX90S-25.				
9	0310-328	2	ADAPTER, 6MFFOR-6MB-90				
10	0201-542	2	ADAPTER, TEE, 6FS-6FS-6NWO				
11	8102-412	2	CAPSCREW, HH, 1/2-13UNCx3.25 GD8				
12	8102-686	1	CAPSCREW, HH, 3/4-10UNCx4.25 GD8				
13	8040-786	1	NUT, HEX, NYLOCK, 3/4-10 UNC, ZN				
14	2045-245	2	BLOCK LATCH				
15	2045-246	2	LATCH QA				
16	0090-001	2	BOLT, SHOULDER, 5/8"x1.25" GD 8				
17	8040-606	2	NUT, HEX, NYLOCK, 1/2-13 UNC, ZN				
18	8050-347	4	WASHER, WROUGHT, 1/2, STD, ZN				
19	0300-607	2	ZERK, GREASE, 1/4-28				
20	0400-651	2	SPRING, COMPRESSION PLATED				
21	0400-621	2	SPOOL, PIVOT				
22	2046-406	1	WLMT PIN LH				
23	2046-405	1	WLMT PIN RH				
24	8102-418	2	CAPSCREW, HH, 1/2-13UNCx 6.0, GD8				
25	0310-733	1	INSERT, CLAMP, TWIN. 75" T3075-PP				
26	0310-828	1	COVER, CLAMP, 3/4" TCP-T3				
27	8102-136	1	CAPSCREW, HH, 5/16-18x1.75 ZN GD				
28	8050-348	2	WASHER, 1/2, SAE, ZN 1.06 OD x .531 ID x .090				



Note: The hydraulic quick attach assembly is available for field installation as P/N: 0403-542.

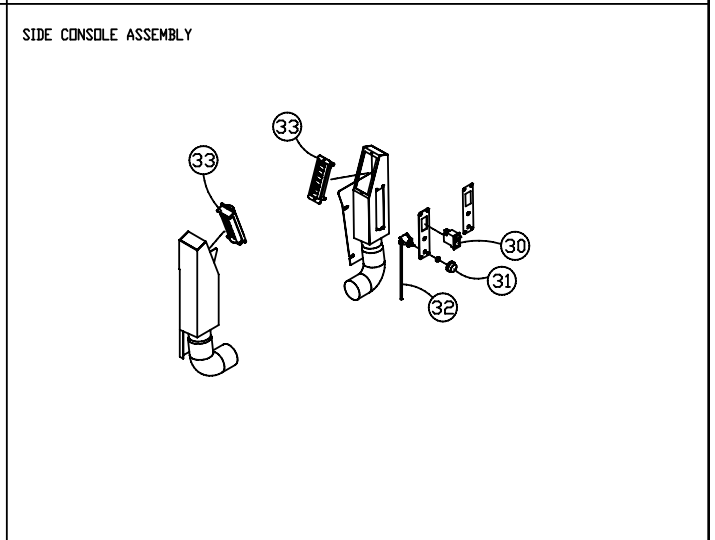
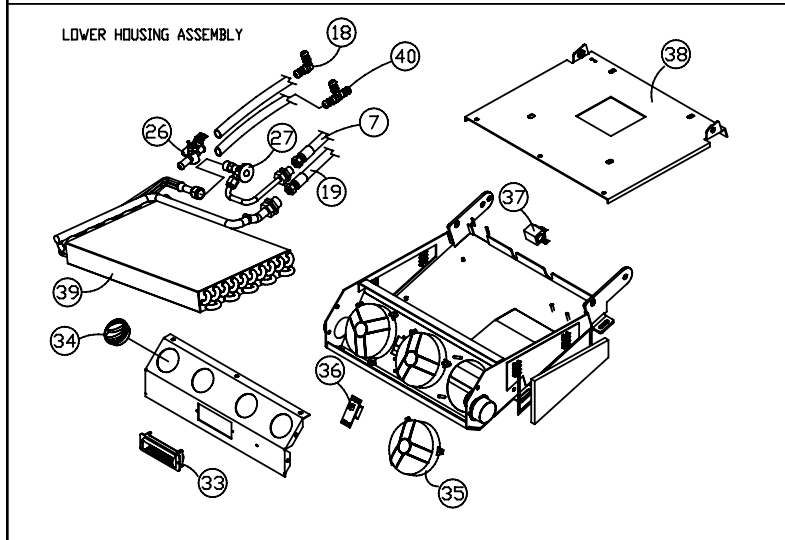
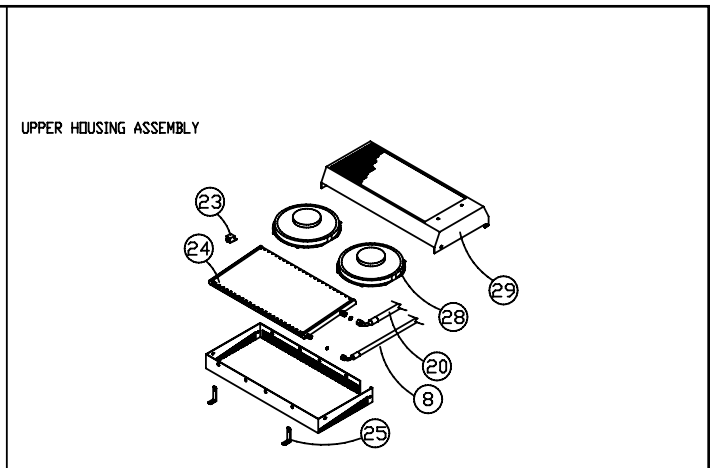
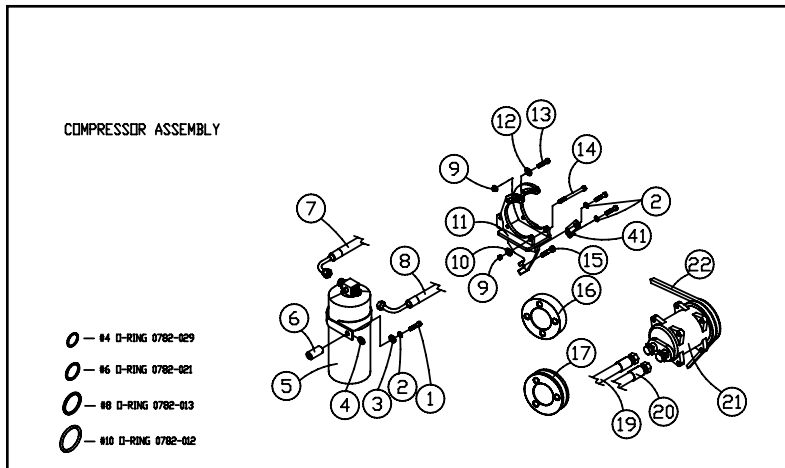
CAB HEATER ASSEMBLY (R190T 00300- Current)

REF. NO.	PART NUMBER	QTY.	DESCRIPTION	REF. NO.	PART NUMBER	QTY.	DESCRIPTION
1	0304-546	1	HEATER,CAB, RC-30				
2	0304-548	2	MNT,HEATER				
3	0305-214	1	HOSE,HEATER,5/8 x 33"				
4	0304-553	1	HOSE,HEATER,5/8,72"				
5	0304-554	1	HOSE,HEATER,5/8,38"				
6	0301-558	1	VALVE,FLOW,HEATER				
7	0404-329	1	CABLE,PUSH-PULL,HEATER				
8	0301-514	1	KNOB,SWITCH,HEATER				
9	8102-038	2	CAPSCREW,HH 1/4-20UNCx7/8 GRD8				
10	8040-366	2	NUT,HEX,NYLOCK,1/4-20 UNC,ZN				
11	0301-654	1	NUT,JAM,3/8-24 UNF				
12	0301-110	6	CLAMP,HOSE,#8				
13	0310-838	1	CLAMP,TUBE,DOUBLE,1.0				
14	0304-670	1	ADAPTER,5/8BARB-3/8MPT-90^				
15	0304-570	1	ADAPTER,6MP-10HOSE,BARB				
16	0307-720	1	CAPSCREW,HH,M8x1.25x20				
17	8051-242	1	WASHER,SPRING LOCK,5/16,ZN				
18	8050-277	1	WASHER,WROUGHT,3/8,SAE,ZN				
19	0304-575	1	HARNESS,HEATER				
20	0304-122	1	SWITCH,ON/OFF,HEATER				
21	0310-587	4	CLAMP,WIRE,3/8,ADHESIVE				
22	2045-748	2	GROMMET 1 3/8" HOLE				
23	8050-222	6	WASHER,WROUGHT,1/4,STD,ZN				
24	0310-713	1	GASKET, SWITCH				
25	8102-039	4	CAPSCREW,HH,1/4-20UNCx.625,GD8				
26	8051-212	4	WASHER,SPRING LOCK,1/4,ZN				



HEATER-AIR CONDITIONING ASSEMBLY (R190T 00300- Current)

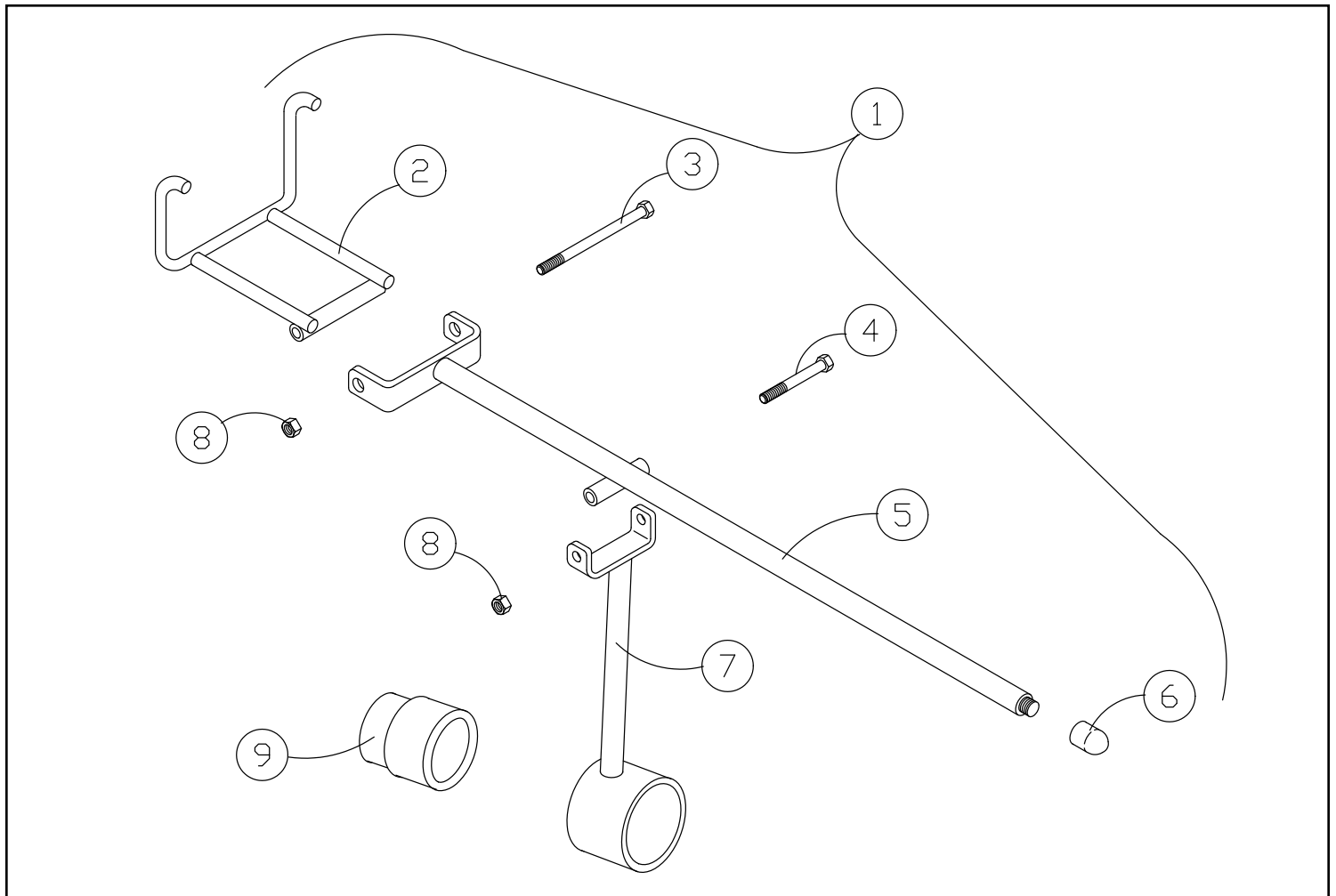
REF. NO.	PART NUMBER	QTY.	DESCRIPTION	REF. NO.	PART NUMBER	QTY.	DESCRIPTION
1	8102-139	1	CAPSCREW,HH5/16-18UNCx2.50 GD8	41	0782-065	2	ARM,TENSION,COMPRESSOR
2	8051-242	3	WASHER,SPRING LOCK,5/16,ZN				
3	8050-222	1	WASHER,WROUGHT,1/4,STD,ZN				
4	0201-573	1	SPACER,TUBE, .75x.5x1				
5	0782-019	1	DRYER				
6	0201-628	1	SPACER,CLAMP				
7	0782-048	1	HOSE,A/C,#6,92.00"				
8	0782-053	1	HOSE,A/C,#6,55.50"				
9	0314-269	3	NUT,FLANGE,TOPLK,3/8-16UNC,GDG				
10	8050-277	1	WASHER,WROUGHT,3/8,SAE,ZN				
11	0782-064	1	WLMT,MNT,COMPRESSOR				
12	8050-262	3	WASHER,WROUGHT,5/16,STD,ZN				
13	8102-225	2	CAPSCREW,HH,3/8-16 UNCx1.5,GD8				
14	8102-236	1	CAPSCREW,HH,3/8-16UNCx5.0 GD8,				
15	8102-132	1	CAPSCREW,HH,5/16-18UNCx1.0 GD8				
16	0200-507	1	SPACER,FAN,3024C,A/C				
17	0200-508	1	PULLEY,ADDITIONAL,CRANKSHAFT,3				
18	0304-670	1	ADAPTER,5/8BARB-3/8MPT-90				
19	0782-049	1	HOSE,A/C,#10,98.50"				
20	0782-052	1	HOSE,A/C,#8,64.80"				
21	0782-038	1	COMPRESSOR,AC,RC				
22	0201-645	1	BELT,V, A SERIES, 1/2 x 48.00				
23	0782-088	1	RELAY,CONDENSER,12V				
24	0782-078	1	COIL,CONDENSER				
25	0782-070	1	MNT,CONDENSER,ROOFTOP				
26	0301-558	1	VALVE,FLOW,HEATER				
27	0782-066	1	VALVE,EXPANSION,905				
28	0782-067	2	ASSY,BLOWER				
29	0782-073	1	COVER,AC				
30	0782-072	1	SWITCH,TOGGLE,AC				
31	0782-082	2	KNOB				
32	0782-075	1	CABLE,CONTROL				
33	0782-037	3	LOUVER,A/C,PERRIN				
34	0782-060	4	LOUVER,ROUND,AC,RC50				
35	0782-085	1	ASSY,FAN				
36	0782-069	2	RESISTOR				
37	0782-068	1	THERMOSTAT,AC				
38	0782-081	1	COVER,HOUSING				
39	0782-089	1	ASSY,EVAPORATOR				
40	0200-527	1	TEE,5/8,BARBED				



TRACK INSTALLATION TOOL (R190T 00300- Current)

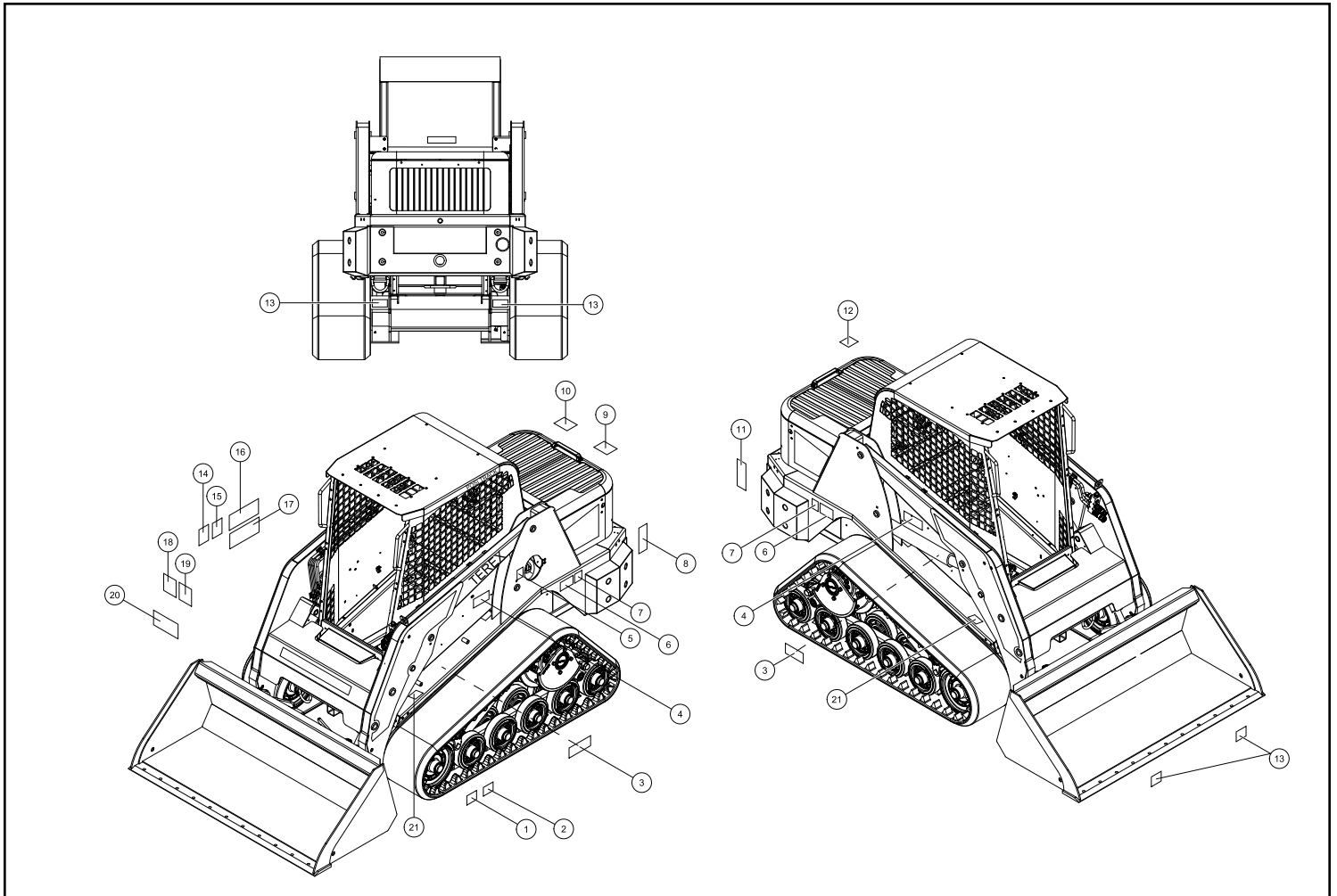
Section 21

REF. NO.	PART NUMBER	QTY.	DESCRIPTION	REF. NO.	PART NUMBER	QTY.	DESCRIPTION
1	0702-170	1	ASSY,INSTALLATION,TRACK				
2	0702-171	1	WLMT,HOOK,TRACK				
3	8102-235	1	CAPSCREW,HH,3/8-16UNCx4.5,GD8,				
4	8102-232	1	CAPSCREW,HH,3/8-16,UNCx3.25,GD				
5	0702-175	1	WLMT,TRACK,HANDLE				
6	0702-143	1	CAP,3/4-10				
7	0702-180	1	WLMT,CATCH,TRACK				
8	8040-486	2	NUT,HEX,NYLOCK,3/8-16 UNC,ZN				
9	0702-219	1	INSERT,WHEEL				



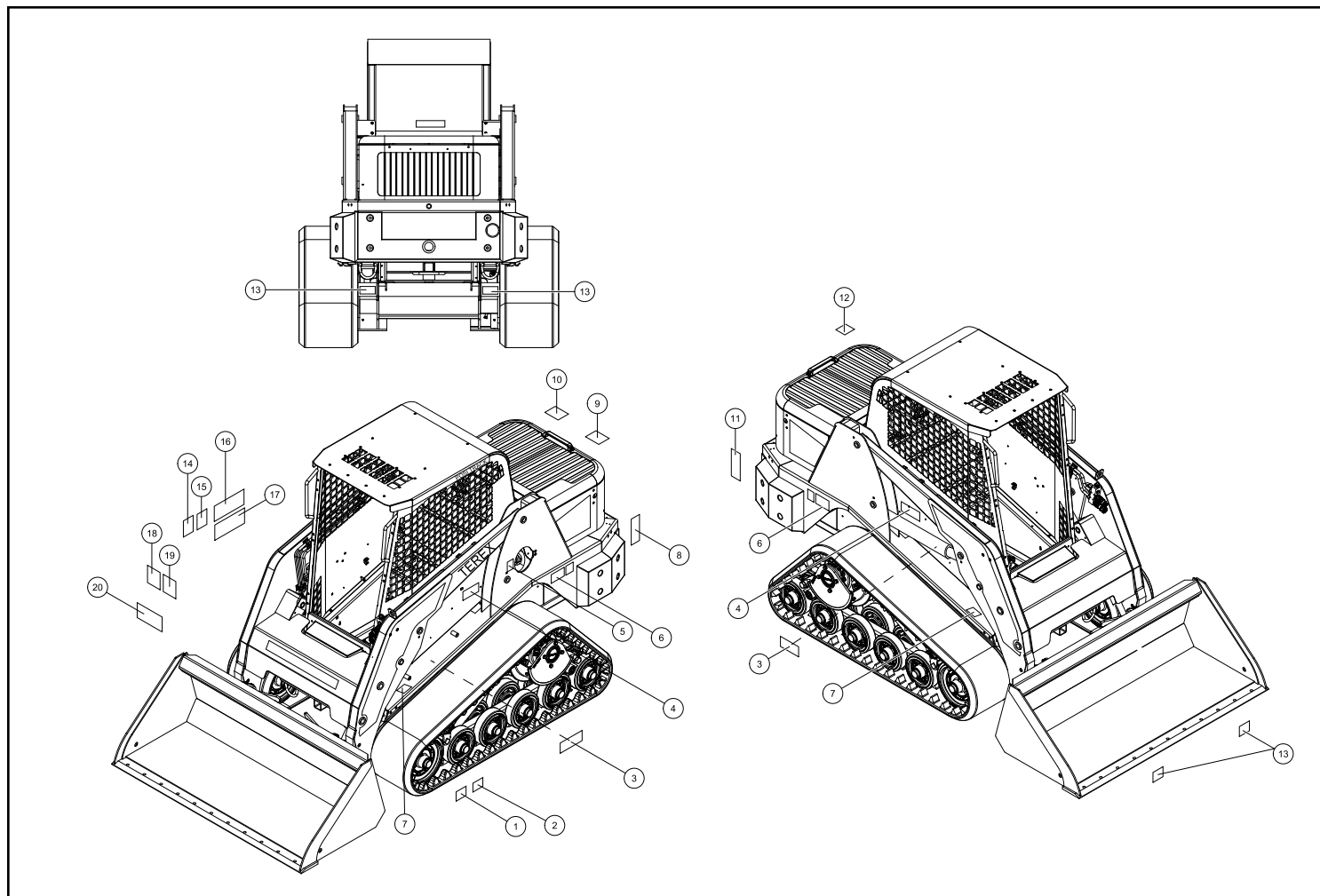
SAFETY DECALS U.S. (ANSI) (R190T 00300- Current)

REF. NO.	PART NUMBER	QTY.	DESCRIPTION	REF. NO.	PART NUMBER	QTY.	DESCRIPTION
1	2030-599	1	DECAL ANSI FIRE HAZARD (BRUSHCUTTING)				
2	0304-320	1	DECAL,OWNER'S MANUAL				
3	2030-594	2	DECAL ANSI LIFT ARM BRACE				
4	2030-602	2	DECAL ANSI SKIN INJECTION HAZARD				
5	4046-078	1	DECAL DIESEL FUEL ONLY				
6	2030-593	2	DECAL ANSI RUN OVER HAZARD				
7	2085-253	2	DECAL ANSI CLEAN UNDERCARRIAGES NOTICE				
8	2030-603	1	DECAL ANSI BATTERY EXPLOSION HAZARD				
9	2030-595	1	DECAL ANSI RADIATOR HAZARD				
10	2030-600	1	DECAL ANSI BELT FAN HAZARD				
11	2030-601	1	DECAL ANSI HOT SURFACES HAZARD				
12	4046-079	1	DECAL CE HYDRAULIC OIL ONLY				
13	0310-197	4	DECAL,TIE DOWN 156-5762				
14	0304-305	1	DECAL,THROTTLE				
15	2030-628	1	DECAL ANSI 2 SPEED				
16	2030-598	1	DECAL ANSI READ O&M ROLLOVER FALL HAZARD				
17	2030-596	1	DECAL ANSI ROLLOVER FALL HAZARD				
18	2030-424	1	DECAL CONTROLS RIGHT (NO TEXT)				
19	2030-423	1	DECAL CONTROLS LEFT (NO TEXT)				
20	2030-597	1	DECAL ANSI FALL HAZARD (3 POINT ENTRY)				
21	2030-592	2	DECAL ANSI LOADER CRUSH HAZARD				



SAFETY DECALS ROW (ISO) (R190T 00300- Current)

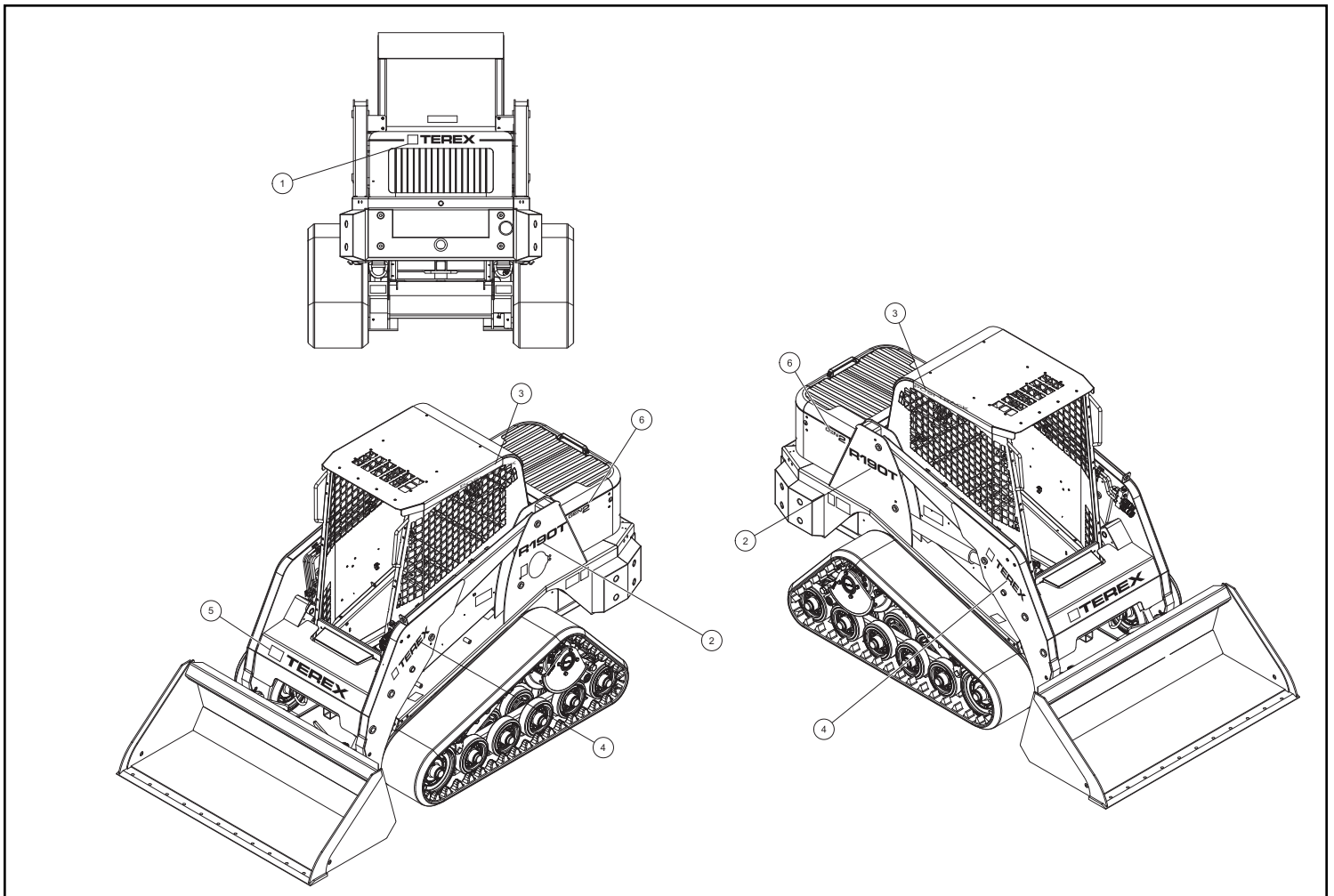
REF. NO.	PART NUMBER	QTY.	DESCRIPTION	REF. NO.	PART NUMBER	QTY.	DESCRIPTION
1	2030-427	1	DECAL BRUSHCUTTING				
2	2030-422	1	DECAL MANUAL BOX (NO TEXT)				
3	2030-417	2	DECAL LOADER LOCK (NO TEXT)				
4	2030-553	2	DECAL ISO SAFETY SKIN OIL INJECTION				
5	4046-078	1	DECAL DIESEL FUEL ONLY				
6	2030-416	2	DECAL MOVING PARTS (TRACK WARNING)				
7	2030-415	2	DECAL BOOM CRUSH PT (NO TEXT)				
8	2030-565	1	DECAL ISO SAFETY BATTERY				
9	2030-418	1	DECAL ENGINE COMPARTMENT				
10	2030-551	1	DECAL ISO SAFETY FAN AND BELT				
11	2030-552	1	DECAL ISO SAFETY EXHAUST HOT				
12	4046-079	1	DECAL CE HYDRAULIC OIL ONLY				
13	0310-197	4	DECAL, TIE DOWN 156-5762				
14	2030-419	1	DECAL THROTTLE (NO TEXT)				
15	2030-428	1	DECAL 2 SPEED				
16	2030-426	1	DECAL NO RIDERS/WORK PLATFORM				
17	2030-420	1	DECAL CARRY LOADS/KEEP INSIDE				
18	2030-424	1	DECAL CONTROLS RIGHT (NO TEXT)				
19	2030-423	1	DECAL CONTROLS LEFT (NO TEXT)				
20	2030-425	1	DECAL 3 POINT (NO TEXT)				



MACHINE GRAPHICS (R190T 00300- Current)

Section 24

REF. NO.	PART NUMBER	QTY.	DESCRIPTION	REF. NO.	PART NUMBER	QTY.	DESCRIPTION
1	2010-258	3	DECAL 2" TEREX				
2	0090-582	2	DECAL R190T				
3	2030-334	2	DECAL POSI TRACK				
4	2075-965	2	DECAL ARM TEREX				
5	2030-492	1	DECAL CROSS MEMBER BLACK TEREX				
6	0090-615	2	DECAL GEN 2 BLACK				



Terex Construction Americas

8800 Rostin Road

Southaven, MS 38671

(888)-201-6008

(662)-393-1800

www.terex.com