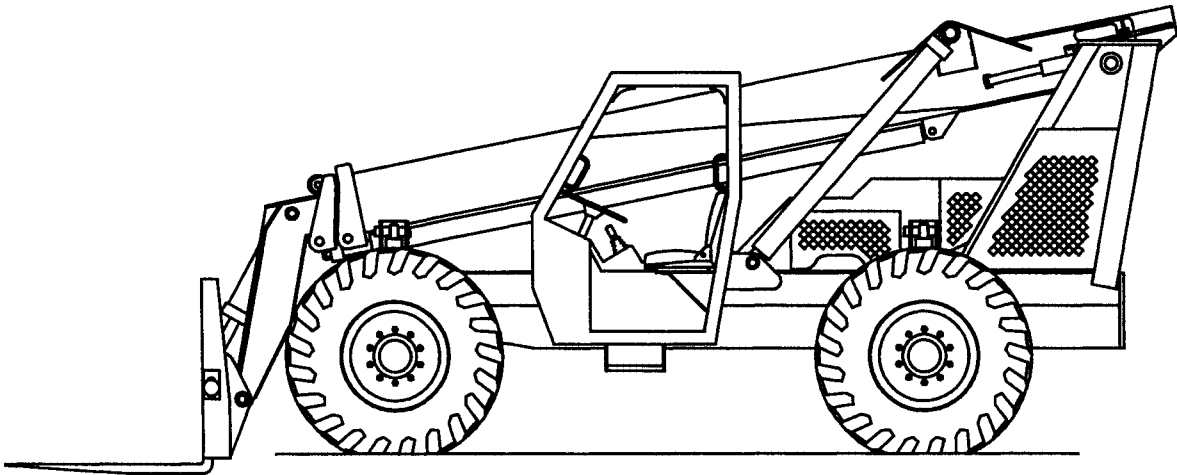


SQUARE SHOOTER PARTS BOOK SS-842



DATE: 3-31-99

CUMMINS B3.9-C-100 TURBO ENGINE STANDARD
OR OPTIONAL

JOHN DEERE POWERTECH 4045D ENGINE
OR OPTIONAL

JOHN DEERE POWERTECH 4045T TURBO ENGINE
7-316 HYDRAULIC CYLINDERS

INTERMEDIATE DROP TRANSMISSION

REXROTH HYDRAULIC PUMP

Serial Number: _____

TEREX HANDLERS

455 N. Superior Ave., Baraga, MI 49908-0248

PH: (906) 353-6675; FAX: (906) 353-7543

INTERNET: <http://www.sqshooter.com>

INDEX / STANDARD EQUIPMENT

SS-842 SQUARE SHOOTER

PAGE	DESCRIPTION	DRAWING
1	SEAL KITS / SS-842 SQUARE SHOOTER.....	P1-1138
2	LUBE CHART	P4-1538
3	FILTER GUIDE	P1-1144
4	DECALS	P1-1200
5	GENERAL ASSEMBLY.....	P4-1700
6	OPERATOR'S COMPARTMENT ASSEMBLY.....	P4-1529
7	POWER TRAIN ASSY / CUMMINS B3.9-C	P4-1813
8	ENGINE & PUMP ASSY / CUMMINS B3.9-C.....	P4-1797
9	BOOM ASSEMBLY	P4-1702
10	LIFT COPY ASSEMBLY	P4-1533
11	FOOT BRAKE ASSEMBLY	P4-1097
12	PARKING BRAKE ASSEMBLY	P1-1168
13	HAND BRAKE ASSEMBLY	P4-1112
14	TRANSMISSION CONTROL ASSEMBLY.....	P3-1172
15	ACCELERATOR ASSY / CUMMINS B3.9-C.....	P4-1789
16	ACCELERATOR ASSEMBLY / PEDAL END	P1-2027
17	ENGINE ENCLOSURE ASSY / B3.9-C.....	P4-1798
18	EXHAUST ASSEMBLY / CUMMINS B3.9-C.....	P4-1799
19	AIR CLEANER ASSEMBLY / CUMMINS B3.9-C	P4-1800
20	PUMP DRIVE ASSEMBLY / CUMMINS B3.9-C	P4-1801
21	DRIVESHAFT ASSEMBLY / FRONT	P1-1183
22	DRIVESHAFT ASSEMBLY / REAR.....	P1-1163
23	TIRE & WHEEL ASSEMBLY.....	P3-1114
24	ELECTRIC SCHEMATIC	P4-1549
25	WIRING DIAGRAM.....	P4-1821
26	INSTRUMENT PANEL ASSEMBLY	P4-1427
27	HYDRAULIC SCHEMATIC.....	P4-1712
28	CIRCUIT / PUMP / OIL RESERVOIR	P4-1714
29	CIRCUIT / LIFT-TILT.....	P4-1542
30	CIRCUIT / BOOM	P4-1543
31	CIRCUIT / 4-WAY CONTROLLER	P4-1544
32	CIRCUIT / AUTO-CONTROLLER.....	P4-1545
33	CIRCUIT / STEERING	P4-1869
34	CIRCUIT / SWAY.....	P4-1547
35	CIRCUIT / REAR AXLE LOCK-UP.....	P4-1548
36	CIRCUIT / PRESSURE SWITCH	P4-1208
37	CIRCUIT / BRAKE	P4-1550
38	CIRCUIT / OIL COOLER / CUMMINS B3.9-C	P4-1790
39	CIRCUIT / FUEL / CUMMINS B3.9-C	P4-1785
40	FUEL TANK & BATTERY BOX ASSEMBLY.....	P4-1654
41	STARTER RELAY / SENDER ASSY / B3.9-C	P4-1791
42	SENDER ASSEMBLY / B3.9-C	P4-1792
43	LIFT CYLINDER / 7-316-181 / SS-842	P4-1553
44	TILT CYLINDER / 7-316-182 / SS-842	P4-1554
45	BOOM CYLINDER / 7-316-183 / SS-842	P4-1555
46	CYLINDER / SWAY-REAR LOCK / 7-316-01	P4-1345
47	CONTROL BLOCK ASSEMBLY	P4-1099
48	LOGIC BLOCK ASSEMBLY	P4-1291
49	MOTION VALVE / BASE TILT CYLINDER	P3-1098
50	MOTION VALVE / HEAD TILT CYLINDER	P3-1097

INDEX / STANDARD EQUIPMENT SS-842 SQUARE SHOOTER

PAGE	DESCRIPTION	DRAWING
51	MOTION VALVE / BOOM CYLINDER.....	P3-1096
52	MOTION VALVE / BASE LIFT CYLINDER	P3-1209
53	DUAL PILOT CHECK VALVE / 7-234-04.....	P3-1100
54	BOOM BY-PASS VALVE / 7-234-09	P3-1099
55	ORBITRAL ASSEMBLY / 7-122-01	P1-1039
56	SELECTOR VALVE / STEERING / 7-359-01.....	P4-1940
57	PRESSURE FILTER ASSEMBLY / 7-256-16	P2-1089
58	RETURN FILTER ASSEMBLY / 7-256-23	P1-1060
59	BRAKE VALVE ASSEMBLY / 7-198-39	P1-1069
60	HYDRAULIC PUMP ASSEMBLY / 7-345-01	P4-1774
61	HANDLE ASSEMBLY / 4-WAY CONTROLLER.....	P1-1230
62	MAIN VALVE ASSEMBLY / 7-200-80.....	P4-1425

INDEX / OPTIONAL EQUIPMENT SS-842 SQUARE SHOOTER

PAGE	DESCRIPTION	DRAWING
70	CAB ASSEMBLY / SLIDING WINDOW	P4-1539
71	CAB DOOR ASSEMBLY.....	P4-1580
72	SLIDING WINDOW ASSEMBLY	P4-1581
73	FORK FRAME / ROTATE ASSEMBLY	P4-1556
74	ROTATE CYLINDER / 7-316-05	P4-1349
75	DUAL PILOT CHECK VALVE	P3-1141
76	CIRCUIT / FORK ROTATE	P4-1557
77	ELECTRIC VALVE / 4-WAY	P3-1140
78	HOSE ROLLER ASSEMBLY	P3-1223

JOHN DEERE NON-TURBO & TURBO ENGINE OPTIONS

79	ENGINE and PUMP ASSY / JD-4045D	P4-1697
80	ENGINE and PUMP ASSY / JD-4045T	P4-1793
81	ACCELERATOR ASSY / JD-4045D	P1-1169
82	ACCELERATOR ASSY / JD-4045T	P4-1775
83	ENGINE ENCLOSURE ASSY / JD-4045D.....	P4-1703
84	ENGINE ENCLOSURE ASSY / JD-4045T	P4-1794
85	EXHAUST ASSEMBLY / JD-4045D	P4-1707
86	EXHAUST ASSEMBLY / JD-4045T	P4-1795
87	AIR CLEANER ASSY / JD-4045D	P4-1536
88	AIR CLEANER ASSY / JD-4045T.....	P4-1796
89	PUMP DRIVE ASSEMBLY / JD-4045D JD-4045T	P4-1537
90	CIRCUIT / OIL COOLER / JD-4045D JD-4045T	P4-1652
91	CIRCUIT / FUEL / JD-4045D JD-4045T.....	P4-1653
92	STARTER RELAY / SENDER ASSY / JD-4045D JD-4045T ..	P4-1655
93	SENDER ASSEMBLY / JD-4045D JD-4045T	P4-1656

MANUFACTURER

PART NUMBER	NUMBER	DESCRIPTION	SEAL KIT
LKDC-XDN	7-234-10	CARTRIDGE / NORMALLY CLOSED	7-234-29
LODC-XDN	7-234-11	CARTRIDGE / NORMALLY OPEN	7-234-29
CSAB-XXN	7-234-12	CARTRIDGE / SHUTTLE	7-234-29
PPDB-LNN	7-234-13	CARTRIDGE / REDUCING RELIEVING	7-234-29
PPDB-LQN	7-234-64	CARTRIDGE / REDUCING RELIEVING	7-234-29
PBFB-FAN	7-234-15	CARTRIDGE / REDUCING	7-234-30
CKCB-XCN	7-234-62	CARTRIDGE / PILOT CHECK	7-234-29
CXDA-XCN	7-234-80	CARTRIDGE / CHECK	7-234-31
NFCC-LCN	7-234-17	CARTRIDGE / NEEDLE	7-234-31
CKCD-XAN	7-234-18	CARTRIDGE / PILOT CHECK	7-234-29
CBCA-LHN	7-234-19	CARTRIDGE / COUNTERBALANCE	7-234-29
CBEA-LHN	7-234-22	CARTRIDGE / COUNTERBALANCE	7-234-30
PPDB-LAN	7-234-28	CARTRIDGE / REDUCING RELIEVING	7-234-29
CAEA-LHN	7-234-53	CARTRIDGE / COUNTERBALANCE	7-234-30
NFCC-LDN	7-234-37	CARTRIDGE / NEEDLE	7-234-31
CSAD-XXN	7-234-79	CARTRIDGE / SHUTTLE	7-234-29
PTS1-10-0-80	7-304-03	CARTRIDGE / MODULAR CONTROL	7-304-04
PTS1-10-0-160	7-304-05	CARTRIDGE / MODULAR CONTROL	7-304-03
12C34S	7-244-03	CARTRIDGE / ELECTRIC / SWAY & SQ.SHOOT	7-244-45
12C25S	7-244-08	CARTRIDGE / NORMALLY OPEN	7-244-46
	7-316-01	CYLINDER / SWAY-REAR LOCK / P4-1345	7-900-20
	7-316-181	CYLINDER / LIFT / P4-1553	7-900-21
	7-316-182	CYLINDER / TILT / P4-1554	7-900-22
	7-316-183	CYLINDER / BOOM / P4-1555	7-900-23
	7-316-05	CYLINDER / ROTATE / P4-1349	7-900-25
	7-229-337	CYLINDER / STEERING / RH FRT. & LH FRT.	7-229-349
	7-229-340	CYLINDER / STEERING / RH REAR	7-229-349
	7-229-341	CYLINDER / STEERING / LH REAR	7-229-349
	7-198-39	BRAKE ACTUATOR	7-198-40
	7-122-01	ORBITRAL / STEERING	7-122-29

1	PAGE NUMBER	SEAL KITS / SS-842 SQUARE SHOOTER 7-316 HYDRAULIC CYLINDERS	DRAWING NUMBER	P1-1138
---	-------------	--	----------------	---------

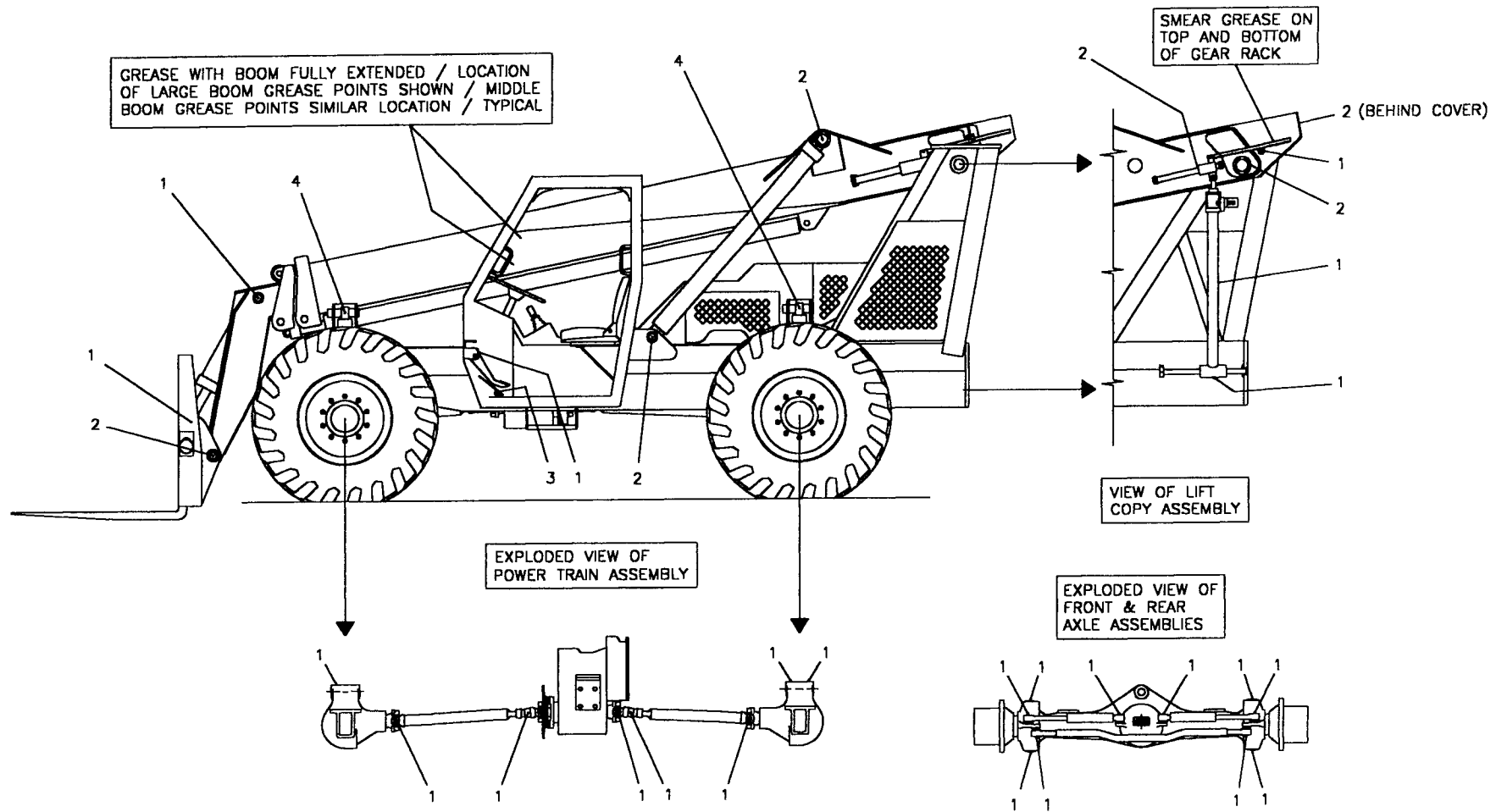
DRAWING
NUMBER

P4-1538

LUBE CHART
SS-842 SQUARE SHOOTER

PAGE
NUMBER

2



SQUARE SHOOTER FILTER GUIDE

DESCRIPTION	PART NO.	APPLICATION
1. HYDRAULIC PRESSURE FILTER ELEMENT	7-256-04	ALL
2. HYDRAULIC RETURN FILTER ELEMENT	7-256-05	ALL
3. ENGINE OIL FILTER / JOHN DEERE	SEE TABLE I	ALL
4. ENGINE OIL FILTER / CUMMINS	7-343-08	ALL
5. ENGINE FUEL FILTER	SEE TABLE II	ALL
6. AIR CLEANER ELEMENT	7-135-07	636/842 w/JOHN DEERE NON-TURBO
7. AIR CLEANER ELEMENT / INNER	7-183-57	636 w/JOHN DEERE TURBO
8. AIR CLEANER ELEMENT / OUTER	7-183-58	636 w/JOHN DEERE TURBO
9. AIR CLEANER ELEMENT / INNER	7-204-05	636/842/1048 w/CUMMINS TURBO 842/1048 w/JOHN DEERE TURBO
10. AIR CLEANER ELEMENT / OUTER	7-204-04	636/842/1048 w/CUMMINS TURBO 842/1048 w/JOHN DEERE TURBO
11. TRANSMISSION OIL FILTER	7-126-112	ALL
12. HYDRAULIC RESERVOIR BREATHER	7-253-01	ALL

TABLE I

ENGINE TYPE	ENGINE SERIAL NUMBER	ENGINE OIL FILTER PART NUMBER
JOHN DEERE	699999 AND BEFORE	7-183-07
JOHN DEERE	700000 AND UP	7-183-101

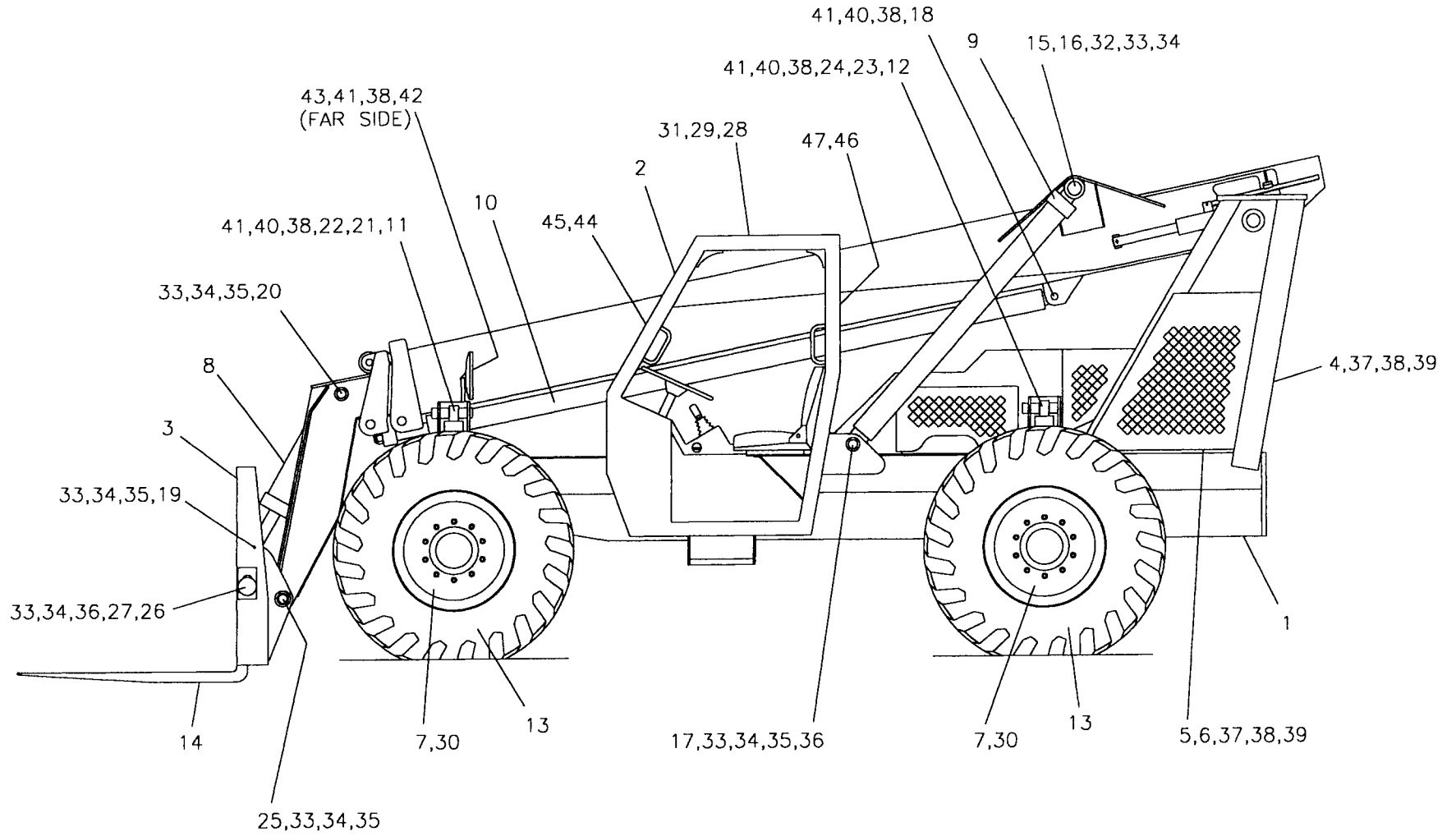
TABLE II

ENGINE TYPE	ENGINE SERIAL NUMBER	ENGINE FUEL FILTER PART NUMBER
JOHN DEERE	386591 AND BEFORE	7-183-45
JOHN DEERE	386592 AND UP	7-183-84
CUMMINS 4BT 3.9	45410664 AND UP	7-343-09 w/ PETCOCK 7-343-10 w/o PETCOCK

3	PAGE NUMBER FILTER GUIDE ALL MACHINES	DRAWING NUMBER P1-1144
---	---	---------------------------

ITEM	NUMBER	DESCRIPTION	REQD
1	4-1386-14	DECAL / LOAD CHART / SS-842	1
2	4-1391-1	DECAL / SQUARE SHOOTER / 40 INCH	2
3	4-1391-2	DECAL / SQUARE SHOOTER / 27 INCH	2
4	4-1392-5	DECAL / SS-842	2
5	4-1401-1	DECAL / STEERING SELECTOR (*)	REF
6	4-1401-2	DECAL / DIESEL FUEL (*)	REF
7	4-1401-3	DECAL / HYDRAULIC OIL LEVEL (*)	REF
8	4-1401-4	DECAL / 4-WAY CONTROL (SQ. SH.) (*)	REF
9	4-1401-5	DECAL / 4-WAY CONTROL (STD.) (*)	REF
10	4-1401-6	DECAL / TRANSMISSION CONTROLS (*)	REF
11	4-1401-8	DECAL / TRANSMISSION OIL (*)	REF
12	4-1401-9	DECAL / FUSE HOLDER (*)	REF
13	4-1105-11	DECAL / A	1
14	4-1105-12	DECAL / B	1
15	4-1105-13	DECAL / C	1
16	4-1105-14	DECAL / D	1
17	4-1105-16	DECAL / MADE IN USA	4
18	4-1105-19	DECAL / REAR AXLE STABILIZERS	1
19	3-1218	DECAL / WARNING	1
20	3-1257-1	DECAL / HYDRAULIC OIL ONLY	1
21	4-1579-1	DECAL / PARKING BRAKE	1
22	4-1579-2	DECAL / ELECTRIC HAZARD	1
23	4-1579-3	DECAL / SWAY CONTROL	1
24	4-1579-4	DECAL / NOT A MAN-LIFT	1
25	4-1579-5	DECAL / BEFORE OPERATING	1
26	4-1579-6	DECAL / BATTERY COMPARTMENT	1
27	4-1579-7	DECAL / COOLING SYSTEM	1
28	4-1579-8	DECAL / HOT EXHAUST	2
29	4-1579-9	DECAL / PINCH POINT AREA	9
30	4-1579-10	DECAL / MACHINE STABILITY	4
31	4-1579-11	DECAL / USE THE SEAT BELT	1
32	4-1579-12	DECAL / NO RIDERS	1
33	4-1579-13	DECAL / HYDRAULIC SYSTEM	1
34	4-1579-14	DECAL / AXLE DIFFERENTIAL LOCK	1
35	7-349-01	DECAL / TEREX CROWN / SMALL	1
36	7-349-02	DECAL / TEREX CROWN / MEDIUM	2
37	7-349-03	DECAL / TEREX CROWN / LARGE	1
38	3-1329	DECAL / TURBO / WHITE LETTERS	2
39	4-1401	FULL DECAL SHT. / ITEMS MARKED (*)	REF
40	7-900-49	DECAL KIT (ITEMS 1 THRU 38)	REF

(*) DECALS NOT SOLD SEPARATELY

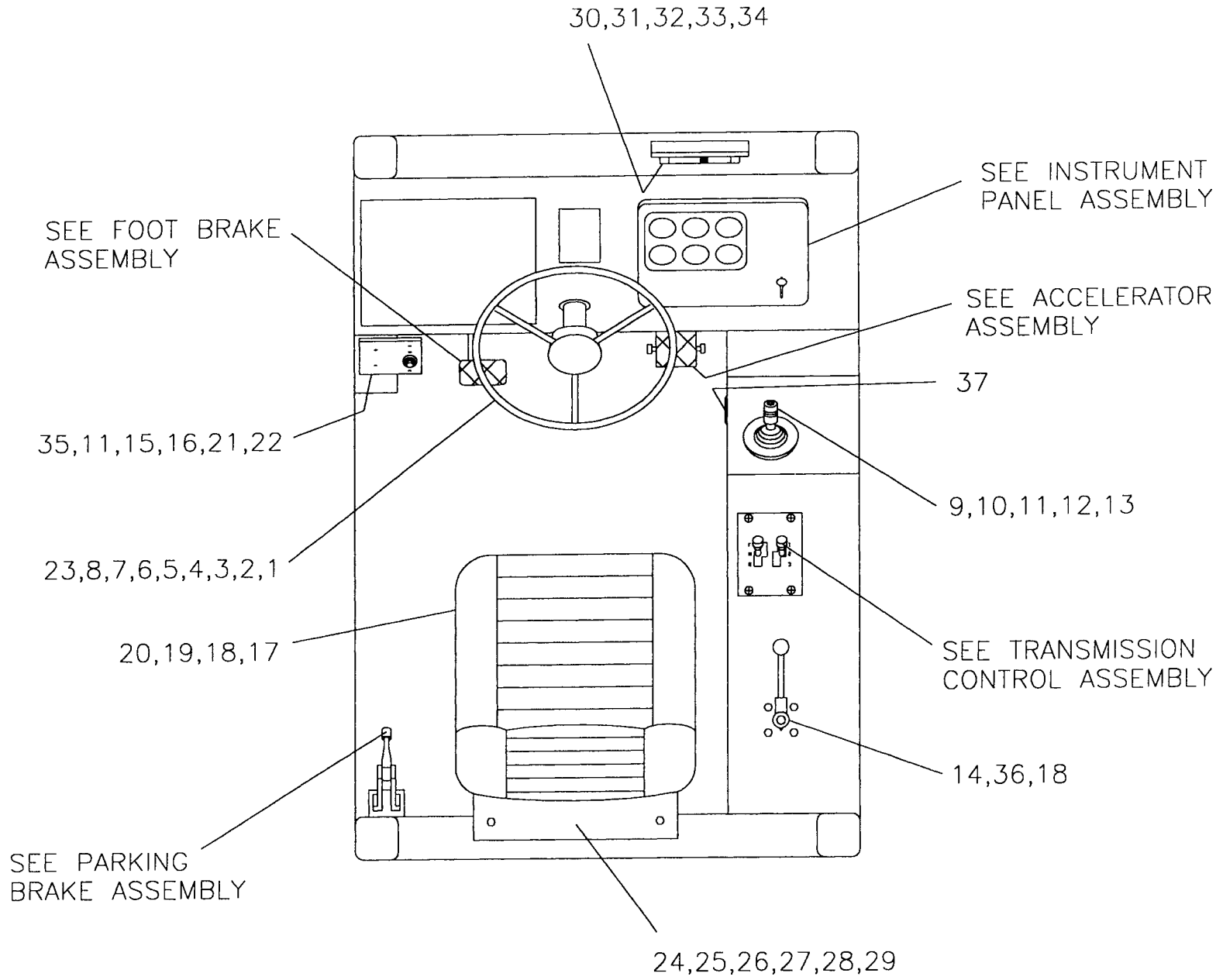


ITEM	NUMBER	DESCRIPTION	REQD
1	4-1670	MAIN FRAME WELDMENT	1
2	4-1505	CANOPY WELDMENT	REF
3	4-1525	FORK FRAME / 48 WIDE	1
4	3-1340	REAR PANEL (COMPO STYLE)	1
5	4-1729-1	SIDE PANEL / RH (COMPO STYLE)	1
6	4-1729-2	SIDE PANEL / LH (COMPO STYLE)	1
7	7-320-01	WHEEL	4
8	7-316-207	CYLINDER / TILT	1
9	7-316-209	CYLINDER / LIFT	2
10	7-316-208	CYLINDER / BOOM	1
11	7-316-01	CYLINDER / SWAY	2
12	7-316-01	CYLINDER / REAR LOCK-UP	2
13	7-150-01	TIRE 13.00-24	4
14	3-1028-10	FORK TINE / 48 LG.	2
15	3-1092-3	PIN / HEAD LIFT CYLINDER	1
16	6-2524-10	COLLAR / HEAD LIFT CYLINDER	2
17	3-1054-2	PIN / BASE LIFT CYLINDER	2
18	2-1090	PIN / BASE BOOM CYLINDER	1
19	6-3316-65	PIN / HEAD TILT CYLINDER	1
20	3-1054-1	PIN / BASE TILT CYLINDER	1
21	6-3312-55	PIN / HEAD SWAY CYLINDER	2
22	6-3312-73	PIN / BASE SWAY CYLINDER	2
23	6-3312-55	PIN / HEAD REAR LOCK-UP CYLINDER	2
24	6-3312-73	PIN / BASE REAR LOCK-UP CYLINDER	2
25	6-3316-168	PIN / FORK FRAME	1
26	2-1067-10	PIN / FORK TINE	1
27	1-1074	COLLAR / FORK TINE PIN	1
28	3-1301	SAFETY GLASS / ROOF	1
29	6-5204-04	CAPSCREW 1/4 NC x 1/2 LG.	8
30	7-286-01	VALVE STEM / AIR-CHLORIDE-FOAM	4
31	6-6212-04	FLATWASHER 1/4	8
32	6-5208-44	CAPSCREW 1/2 NC x 5 1/2 LG.	2
33	6-6201-08	HEX NUT 1/2 NC	8
34	6-6211-08	LOCKWASHER 1/2	8
35	6-5208-30	CAPSCREW 1/2 NC x 3 3/4 LG.	4
36	6-5208-36	CAPSCREW 1/2 NC x 4 1/2 LG.	2
37	6-5206-06	CAPSCREW 3/8 NC x 3/4 LG.	14
38	6-6211-06	LOCKWASHER 3/8	23
39	6-6212-06	FLATWASHER 3/8	14
40	6-5206-22	CAPSCREW 3/8 NC x 2 3/4 LG.	8
41	6-6201-06	HEX NUT 3/8 NC	9
42	7-333-01	MIRROR / CONVEX	1
43	6-5206-24	CAPSCREW 3/8 NC x 3 LG.	1
44	6-3910-04	GLASS / WINDSHIELD	1
45	6-9608-991	RUBBER / WINDSHIELD	1
46	6-4110-04	GLASS / REAR WINDOW	1
47	6-9608-668	RUBBER / REAR WINDOW	1

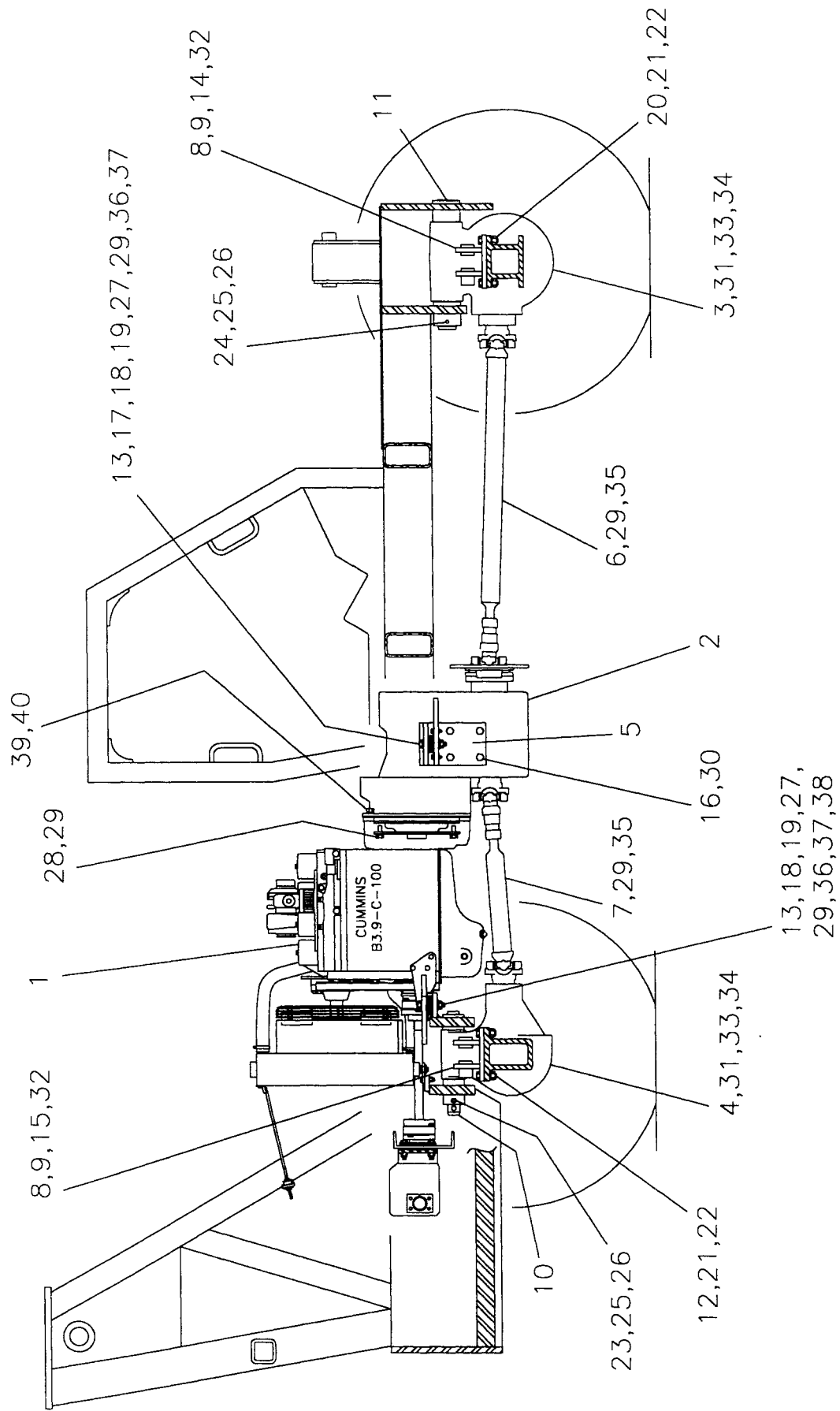
DRAWING
NUMBER P4-1700

GENERAL ASSEMBLY
SS-842 SQUARE SHOOTER

PAGE
NUMBER 5A



ITEM	NUMBER	DESCRIPTION	REQD
1	7-122-01	STEERING ORBITRAL	REF
2	7-122-02	STEERING COLUMN	1
3	7-352-01	STEERING WHEEL	1
4	7-352-02	HORN BUTTON KIT	1
5	7-122-05	NUT / STEERING WHEEL	1
6	6-5206-12	CAPSCREW 3/8 NC x 1 1/2 LG.	2
7	6-6211-06	LOCKWASHER 3/8	4
8	6-6212-06	FLATWASHER 3/8	10
9	7-200-139	CONTROLLER / 4-WAY	REF
10	7-290-03	CARRIAGE BOLT 1/4 NC x 1 LG.	4
11	6-6211-04	LOCKWASHER 1/4	7
12	6-6212-04	FLATWASHER 1/4	4
13	6-6201-04	HEX NUT 1/4 NC	4
14	7-359-01	SELECTOR VALVE / STEERING	REF
15	6-5205-06	CAPSCREW 5/16 NC x 3/4 LG.	2
16	6-6211-05	LOCKWASHER 5/16	2
17	7-197-01	SEAT	1
18	6-6211-05	LOCKWASHER 5/16	8
19	6-6201-05	HEX NUT 5/16 NC	4
20	7-337-01	SEAT BELT	1
21	1-1143	MOUNT / DIFF. LOCK	1
22	7-127-09	SWITCH / DIFF. LOCK	REF
23	6-5206-06	CAPSCREW 3/8 NC x 3/4 LG.	2
24	4-1598-1	SEAT SUPPORT	1
25	4-1598-2	SEAT MOUNT	1
26	6-5205-08	CAPSCREW 5/16 NC x 1 LG.	4
27	6-5205-32	CAPSCREW 5/16 NC x 4 LG.	2
28	6-6211-05	LOCKWASHER 5/16	6
29	6-6201-05	HEX NUT 5/16 NC	6
30	7-283-01	LEVEL GAGE	1
31	6-6284-03	MACHINE SCREW 8-32 x 1 LG.	2
32	6-6286-02	HEX NUT 8-32	2
33	6-6286-11	STARWASHER / INTERNAL #8	2
34	6-6286-10	FLATWASHER / #8	2
35	6-5204-06	CAPSCREW 1/4 NC x 3/4 LG.	3
36	6-5205-06	CAPSCREW 5/16 NC x 3/4 LG.	4
37	7-350-01	HOURMETER	REF



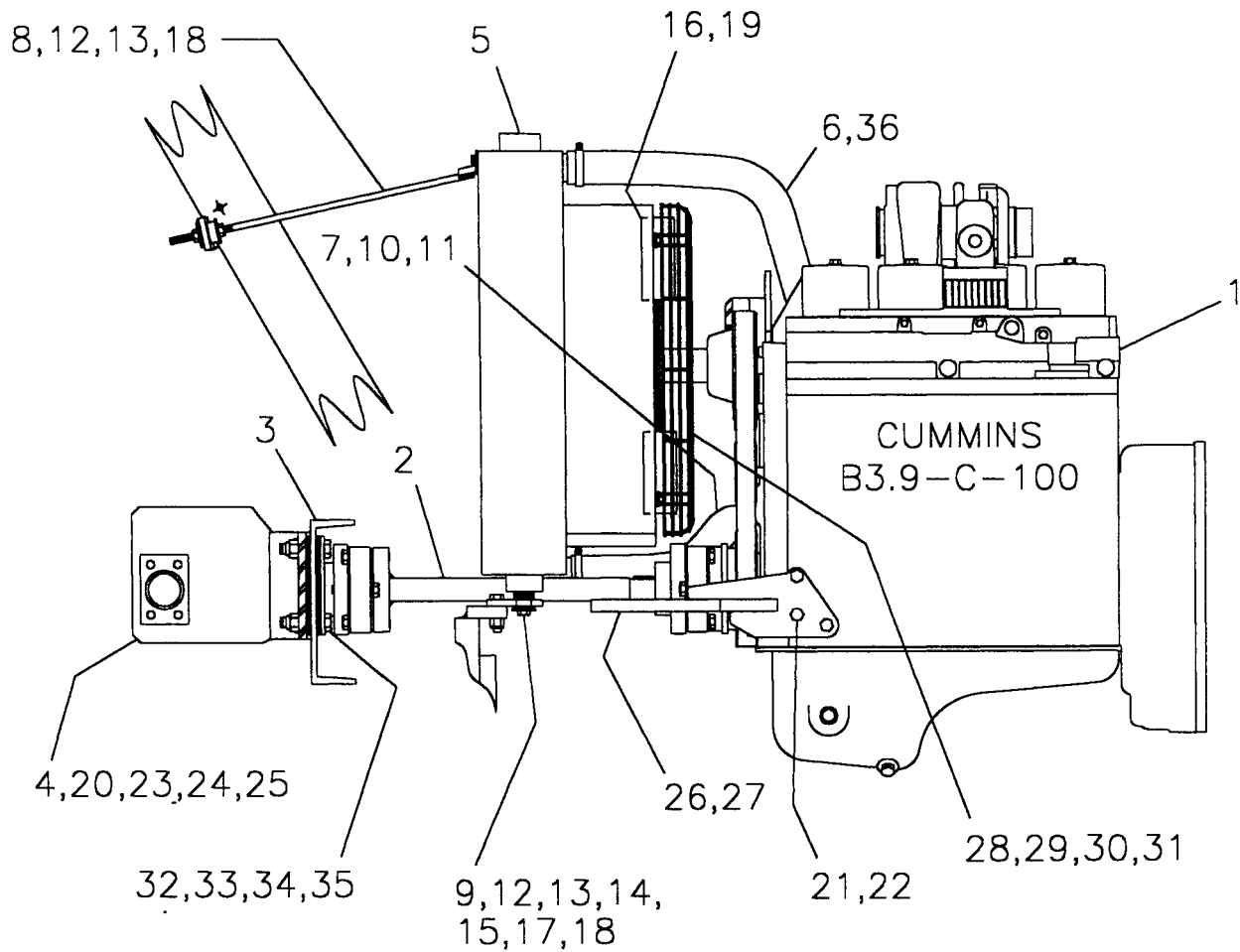
ITEM	NUMBER	DESCRIPTION	REQD
1	P4-1797	ENGINE and PUMP ASSEMBLY	REF
2	7-126-322	TRANSMISSION ASSEMBLY	1
3	7-229-345	AXLE ASSEMBLY / FRONT	1
4	7-229-343	AXLE ASSEMBLY / REAR	1
5	3-1306	MOUNT / TRANSMISSION	2
6	7-196-39	DRIVESHAFT / FRONT	1
7	7-196-35	DRIVESHAFT / REAR	1
8	3-1330	MOUNT / SWAY-REAR LOCK-UP / RH	2
9	3-1331	MOUNT / SWAY-REAR LOCK-UP / LH	2
10	3-1216-1	PIN / REAR AXLE PIVOT	1
11	4-1449-4	PIN / FRONT AXLE PIVOT	1
12	6-5312-20	CAPSCREW 3/4 NF x 2 1/2 LG.	8
13	7-326-01	RUBBER MOUNT / ENGINE	4
14	6-7002-42	GREASE HOSE / 04 x 04 x 21 LG.	1
15	6-7002-38	GREASE HOSE / 04 x 04 x 19 LG.	2
16	6-5212-16	CAPSCREW 3/4 NC x 2 LG.	8
17	6-5310-32	CAPSCREW 5/8 NF x 4 LG.	2
18	6-6211-10	LOCKWASHER 5/8	4
19	6-6202-10	HEX NUT 5/8 NF	4
20	6-5312-22	CAPSCREW 3/4 NF x 2 3/4 LG.	8
21	6-6211-12	LOCKWASHER 3/4	16
22	6-6202-12	HEX NUT 3/4 NF	16
23	6-5208-36	CAPSCREW 1/2 NC x 4 1/2 LG.	1
24	6-5208-44	CAPSCREW 1/2 NC x 5 1/2 LG.	1
25	6-6211-08	LOCKWASHER 1/2	2
26	6-6201-08	HEX NUT 1/2 NC	2
27	6-5206-12	CAPSCREW 3/8 NC x 1 1/2 LG.	8
28	6-5306-14	CAPSCREW 3/8 NF x 1 3/4 LG.	8
29	6-6211-06	LOCKWASHER 3/8	32
30	6-6216-12	STARWASHER 3/4	8
31	6-6427-03	FITTING / 02 NPT x 04 JIC 90	3
32	6-6474-01	FITTING / 02 NPT x 04 JIC M-BH	3
33	6-6301	LUBE FITTING 1/8 NPT STR	3
34	6-6302	LUBE FITTING 1/8 NPT 90	4
35	6-5306-16	CAPSCREW 3/8 NF x 2 LG.	16
36	6-6212-10	FLATWASHER 5/8	4
37	6-6201-06	HEX NUT 3/8 NC	8
38	6-5310-36	CAPSCREW 5/8 NF x 4 1/2 LG.	2
39	6-8510-40	CAPSREW 10mm x 1.5 x 40mm LG.	11
40	6-9111-10	LOCKWASHER 10mm	11

DRAWING
NUMBER

P4-1813

POWER TRAIN ASSEMBLY / CUMMINS B3.9-C
SS-842 SQUARE SHOOTER

PAGE
NUMBER 7A



ITEM	NUMBER	DESCRIPTION	REQD
1	7-343-13	ENGINE ASSY / CUMMINS B3.9-C-100	1
2	P4-1801	DRIVESHAFT ASSEMBLY / PUMP	REF
3	3-1239-1	MOUNT / PUMP	1
4	7-345-01	PUMP ASSEMBLY	REF
5	7-362-01	RADIATOR	1
6	7-158-81	RADIATOR HOSE / UPPER	1
7	7-158-76	RADIATOR HOSE / LOWER	1
8	3-1367	ADJUSTING ROD / UPPER RADIATOR MT	1
9	1-1208	MOUNT / RADIATOR	2
10	6-6252-10	CLAMP / RADIATOR HOSE / 2 3/4	1
11	6-6252-09	CLAMP / RADIATOR HOSE / 2 1/2	1
12	7-190-04	RUBBER MOUNT / CENTER BONDED	3
13	7-190-02	WASHER / CENTER BONDED RUBBER MT.	4
14	6-5208-16	CAPSCREW 1/2 NC x 2 LG.	2
15	6-6205-08	SELF LOCKING NUT 1/2 NC	2
16	7-343-02	SPACER / FAN / 1 1/2 (2 REQ.)	REF
17	6-5206-16	CAPSCREW 3/8 NC x 2 LG.	2
18	6-6205-06	SELF LOCKING NUT 3/8 NC	4
19	7-343-03	FAN	REF
20	6-5208-14	CAPSCREW 1/2 NC x 1 3/4 LG.	4
21	6-8112-50	CAPSCREW 12mm x 1.75 x 50mm LG.	6
22	6-9111-12	LOCKWASHER 12mm	6
23	6-6212-08	FLATWASHER 1/2	4
24	6-6211-08	LOCKWASHER 1/2	4
25	6-6201-08	HEX NUT 1/2 NC	4
26	3-1321	ENGINE MOUNT / RH	1
27	3-1322	ENGINE MOUNT / LH	1
28	4-1685	FAN GUARD / 18 IN. FAN	1
29	6-5205-08	CAPSCREW 5/16 NC x 1 LG.	4
30	6-6211-05	LOCKWASHER 5/16	4
31	6-6212-06	FLATWASHER 3/8	4
32	6-5310-22	CAPSCREW 5/8 NF x 2 3/4 LG.	4
33	2-1164	RUBBER PAD	4
34	2-1163	PLATE	2
35	6-6206-10	SELF LOCKING NUT 5/8 NF	4
36	6-6252-08	CLAMP / RADIATOR HOSE / 2 1/4	2

DRAWING
NUMBER

P4-1797

ENGINE & PUMP ASSY / CUMMINS B3.9-C-100
SS-842 w/ HIGH MOUNT TURBO ENGINE

PAGE
NUMBER 8A

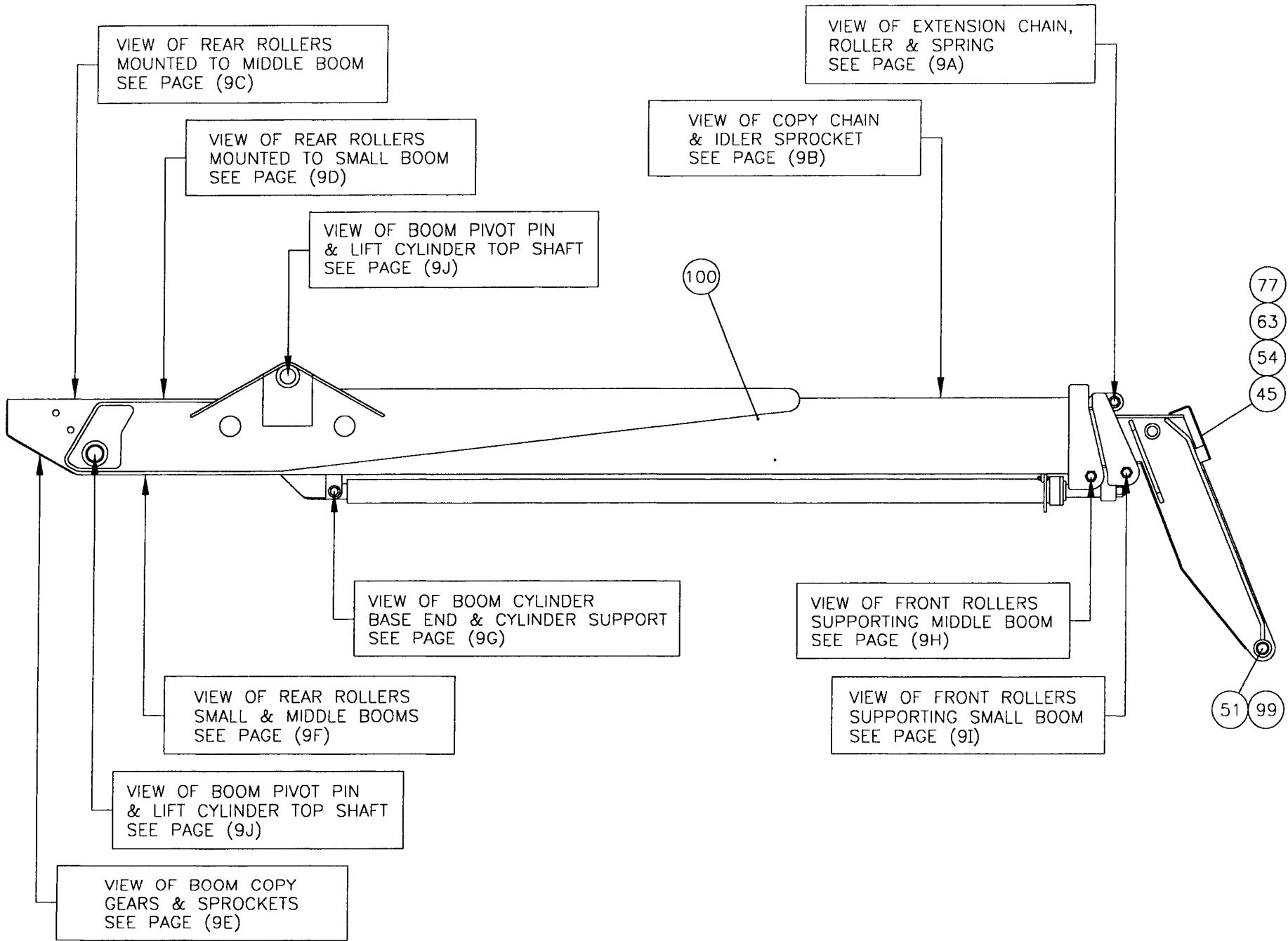
DRAWING
NUMBER

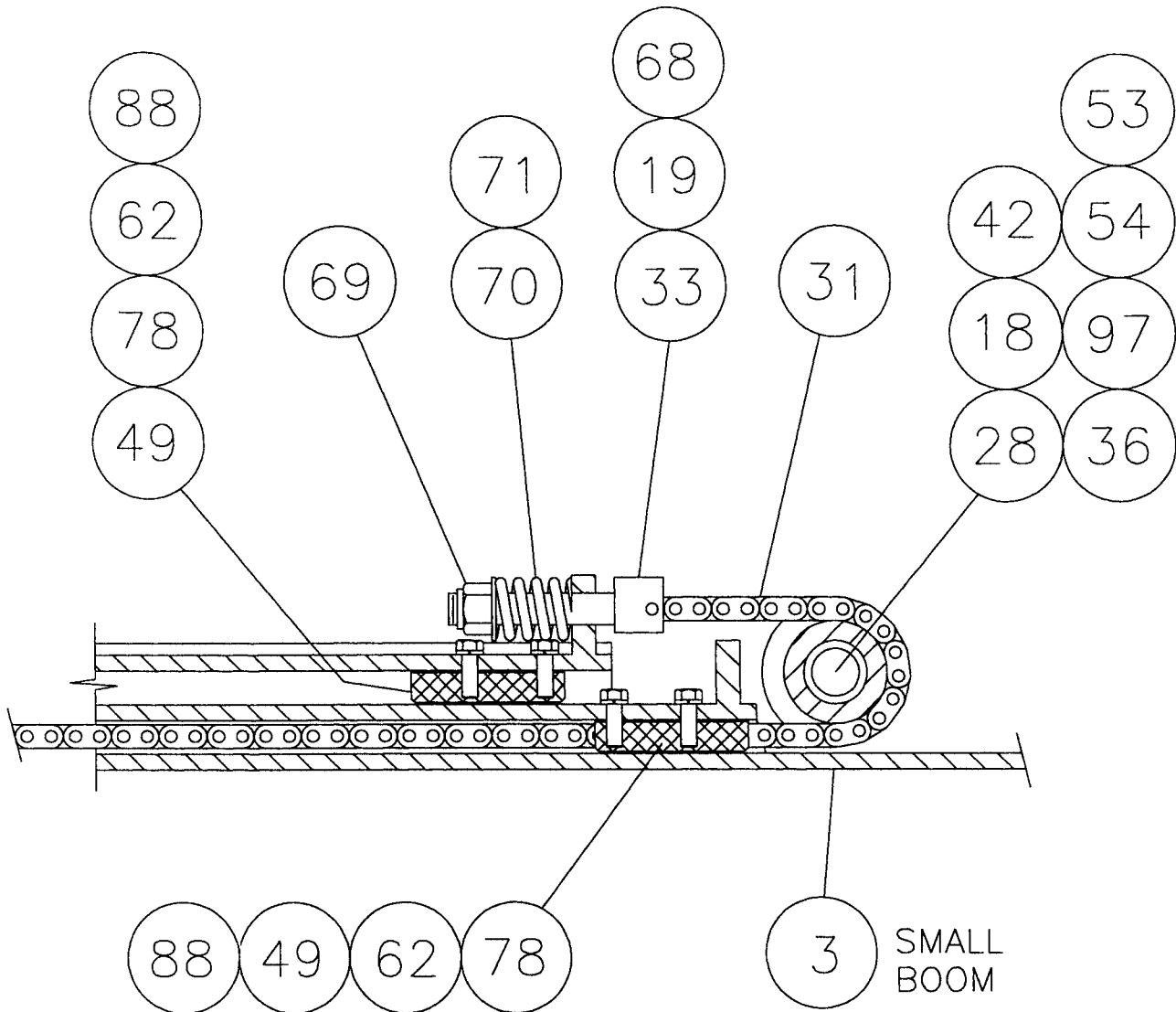
P4-1702

BOOM ASSEMBLY
SS-842 SQUARE SHOOTER

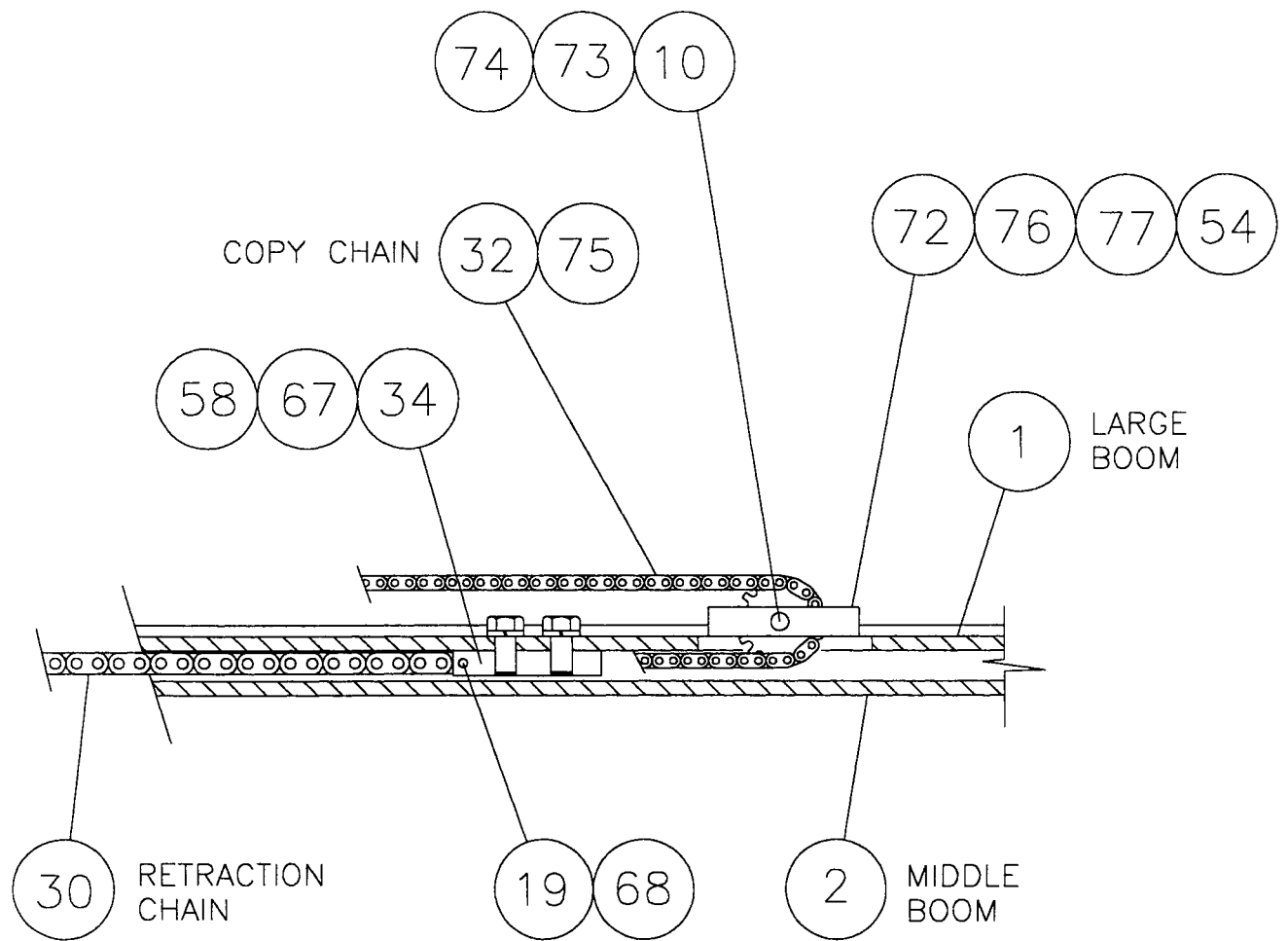
PAGE
NUMBER

9



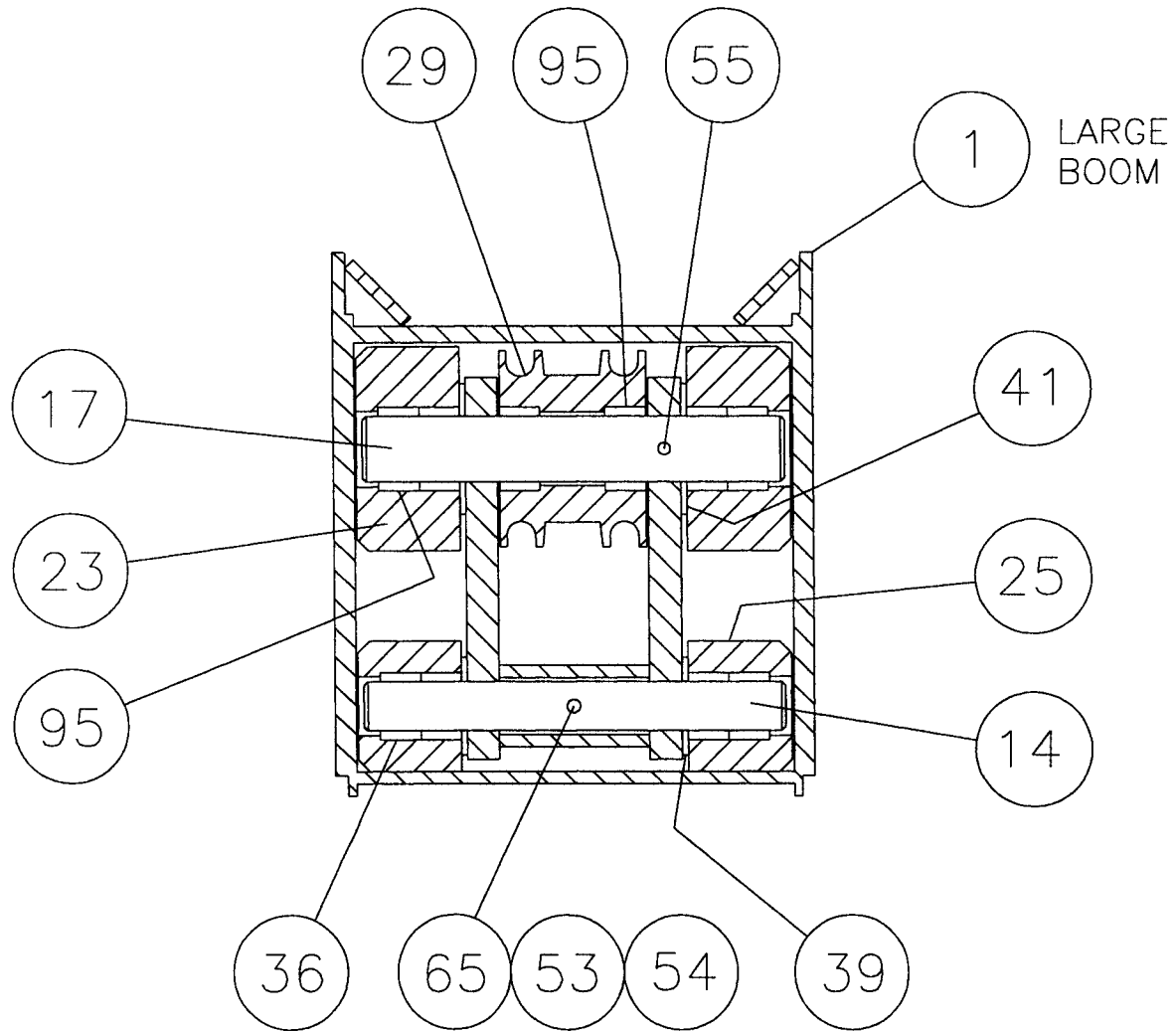


VIEW OF EXTENSION
CHAIN, ROLLER & SPRING

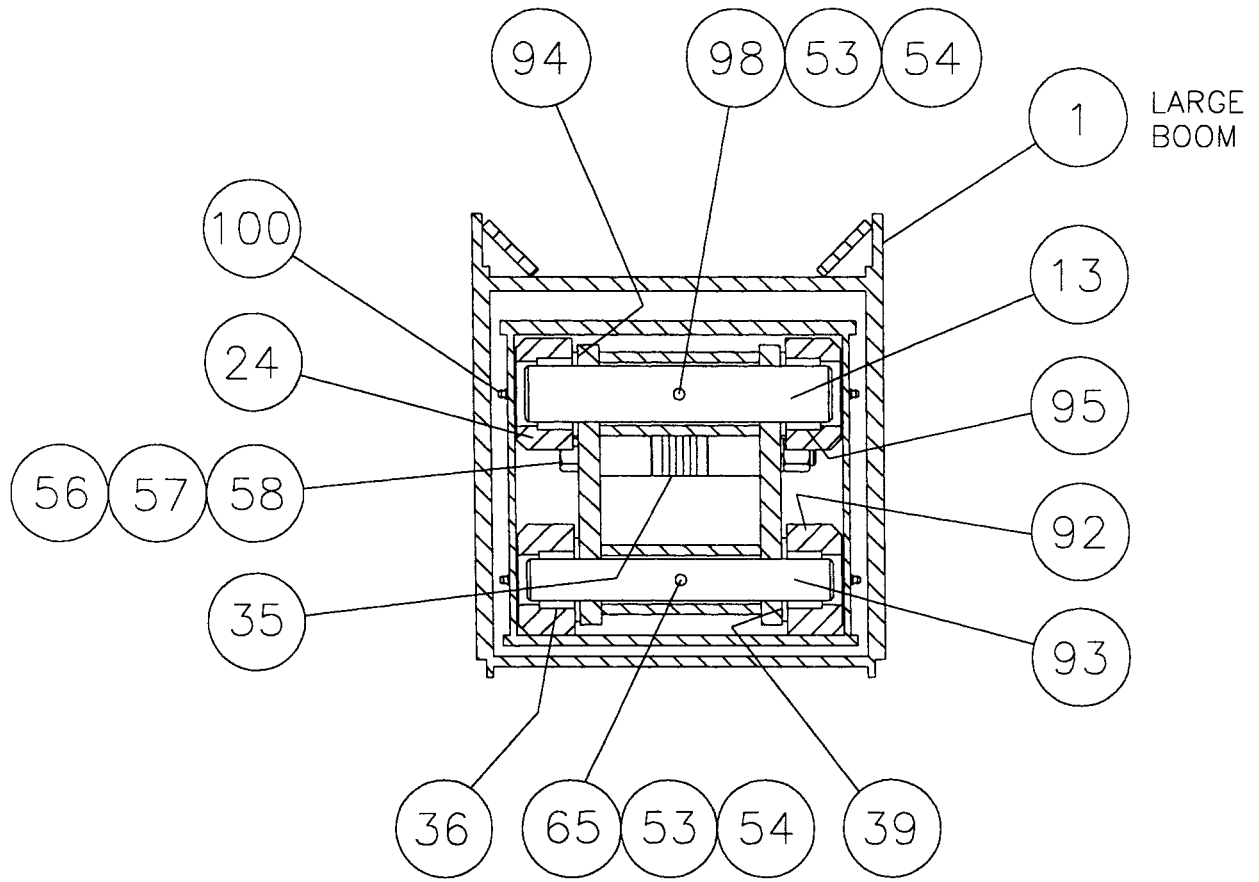


VIEW OF COPY CHAIN & IDLER SPROCKET

DRAWING NUMBER P4-1702	BOOM ASSEMBLY SS-842 SQUARE SHOOTER	PAGE NUMBER 9B
------------------------	--	----------------

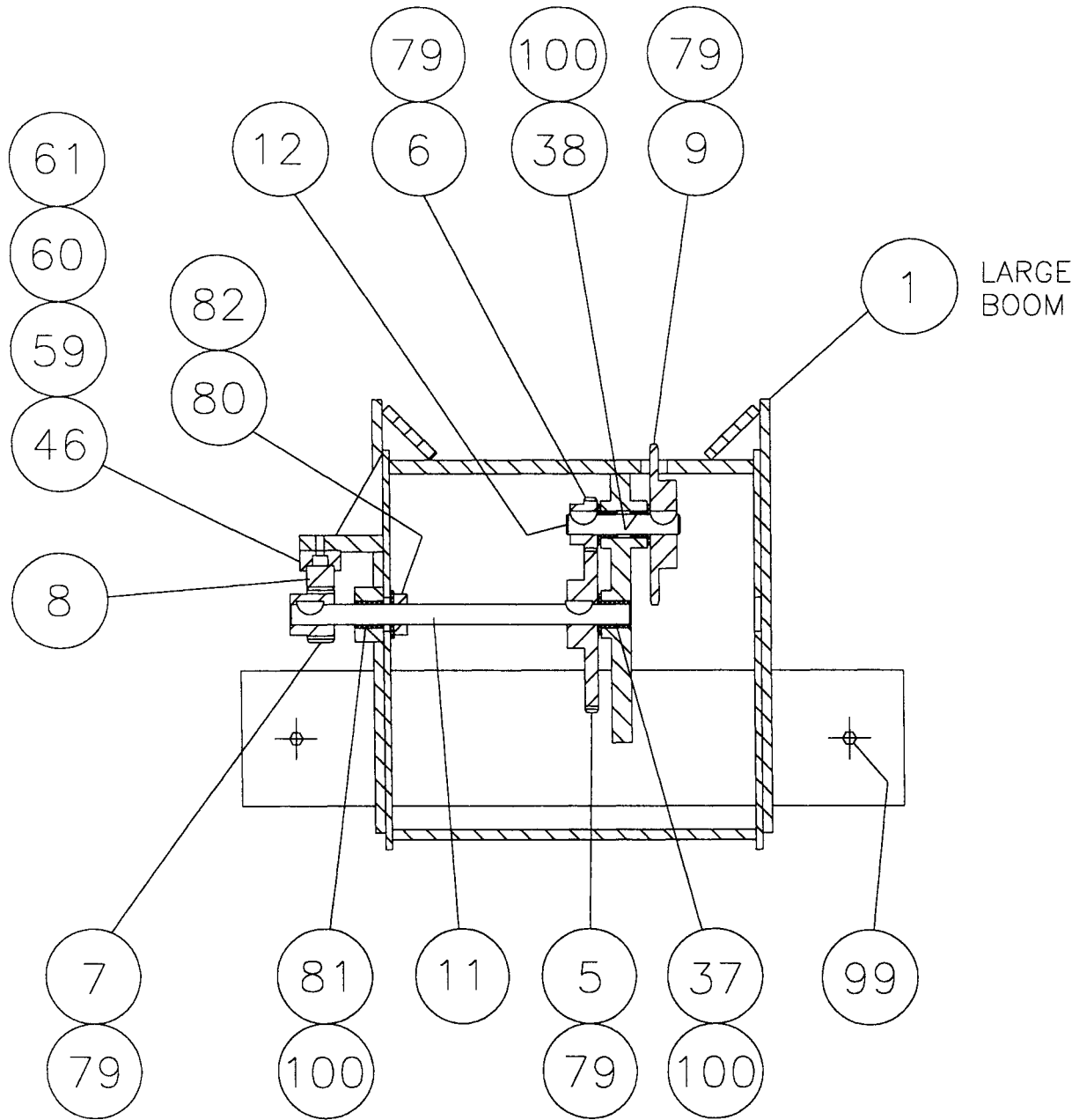


VIEW OF REAR ROLLERS
MOUNTED TO MIDDLE BOOM



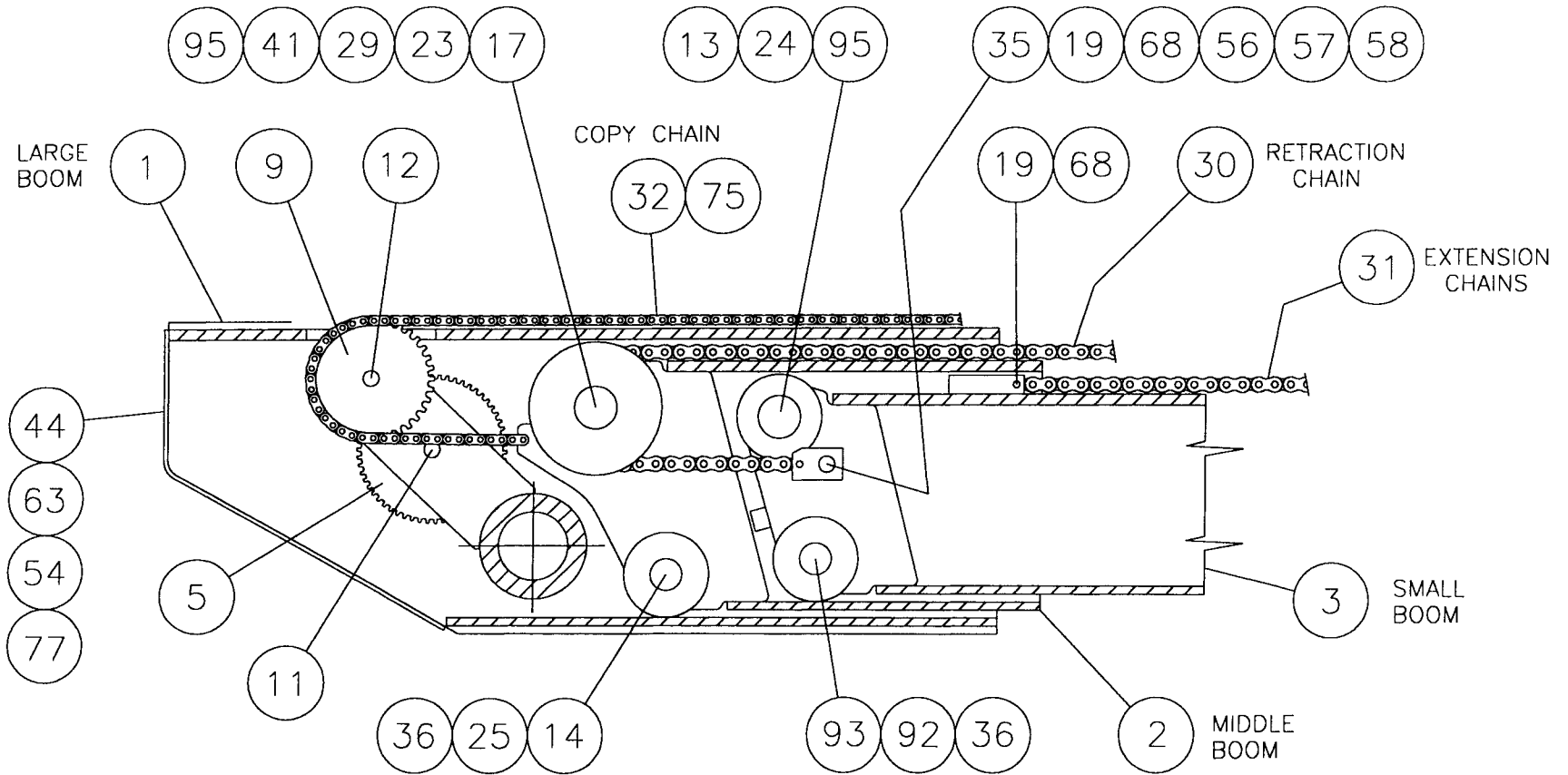
VIEW OF REAR ROLLERS
MOUNTED TO SMALL BOOM

DRAWING NUMBER P4-1702	BOOM ASSEMBLY SS-842 SQUARE SHOOTER	PAGE NUMBER 9D
------------------------	--	----------------

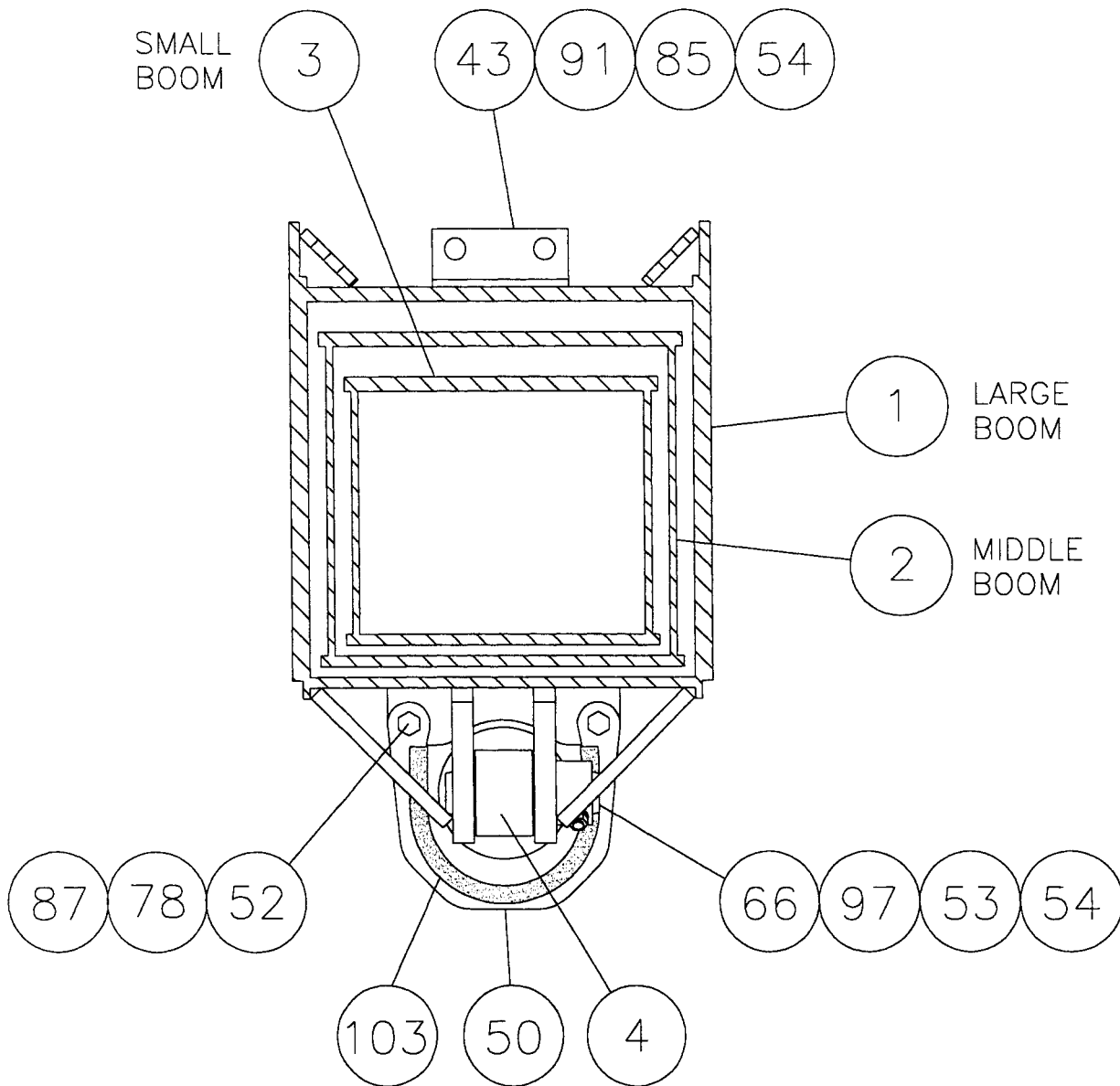


VIEW OF BOOM COPY
GEARS & SPROCKETS

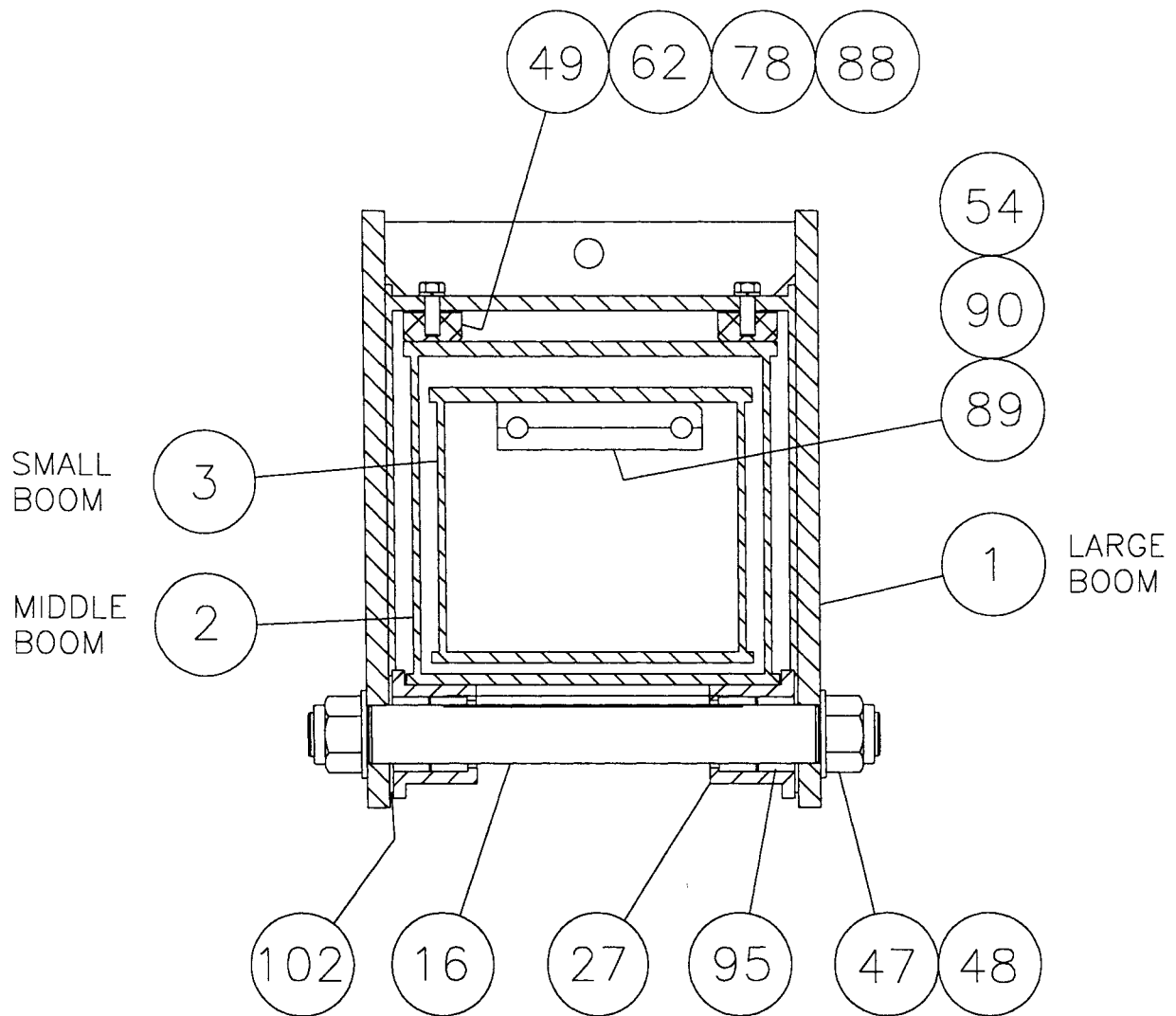
9E PAGE NUMBER	BOOM ASSEMBLY SS-842 SQUARE SHOOTER	DRAWING NUMBER P4-1702
----------------	--	------------------------



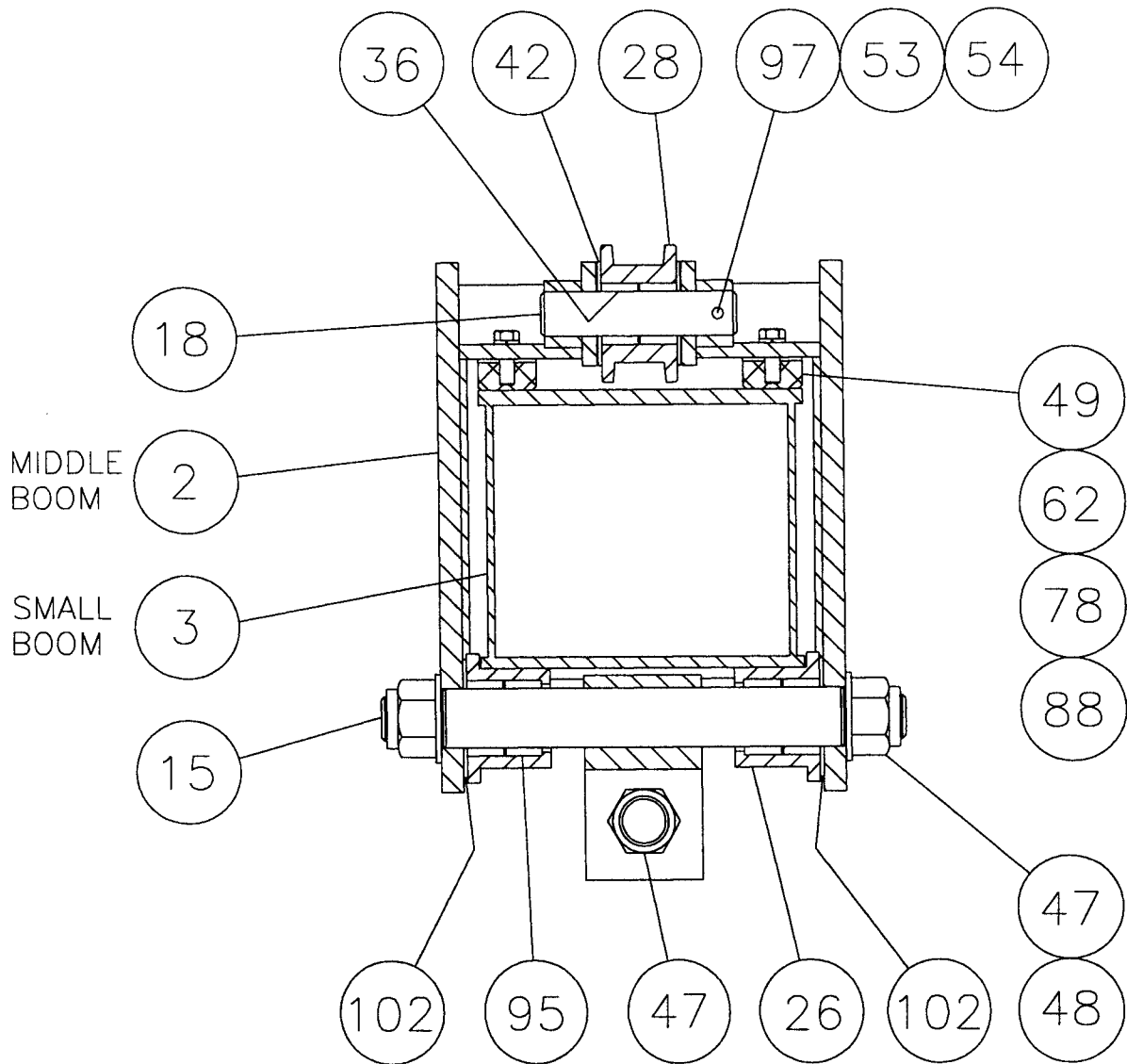
VIEW OF REAR ROLLERS
SMALL & MIDDLE BOOMS



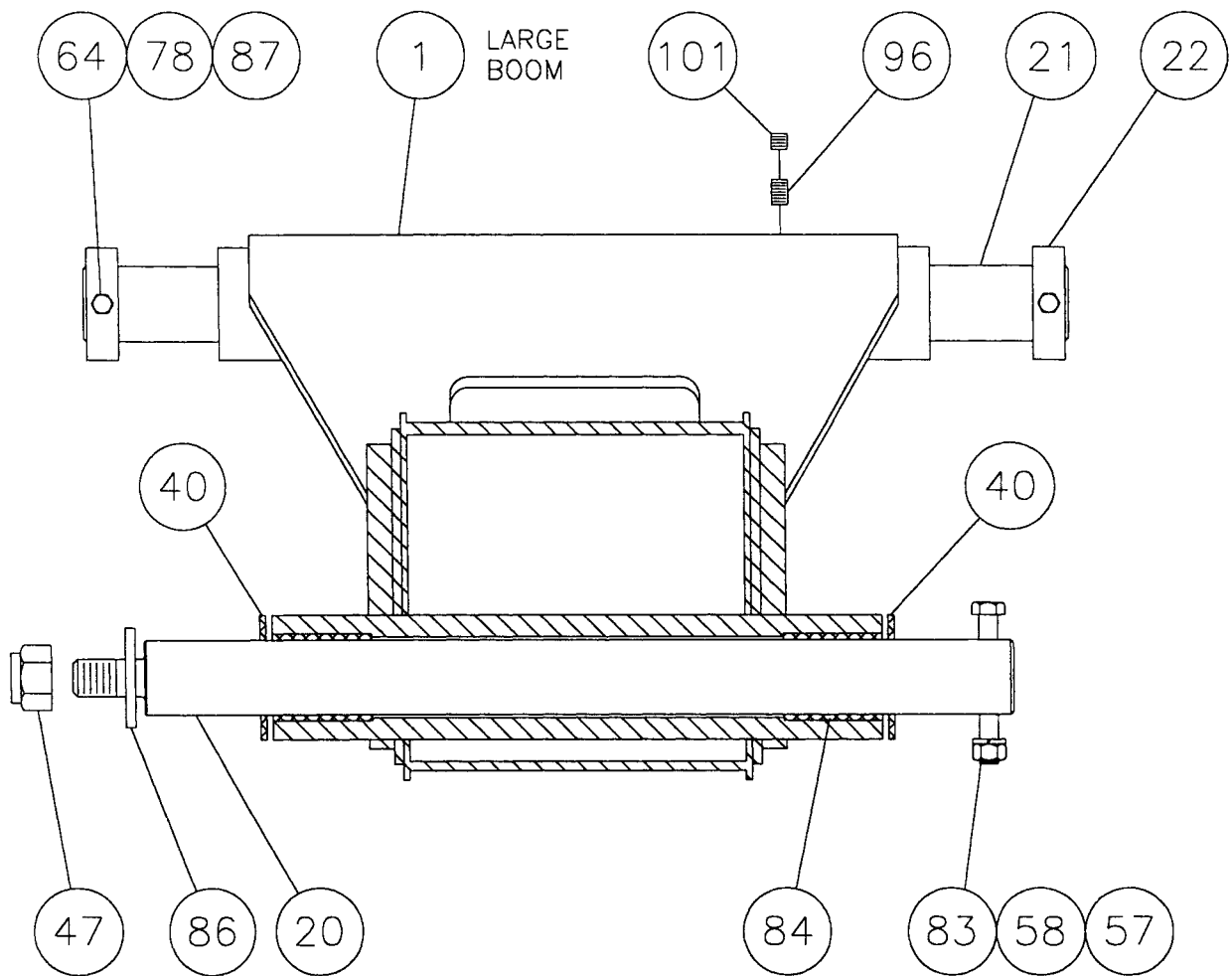
VIEW OF BOOM CYLINDER
BASE END & HEAD SUPPORT



VIEW OF FRONT ROLLERS
SUPPORTING MIDDLE BOOM



VIEW OF FRONT ROLLERS
SUPPORTING SMALL BOOM



VIEW OF BOOM PIVOT PIN
& LIFT CYLINDER TOP SHAFT

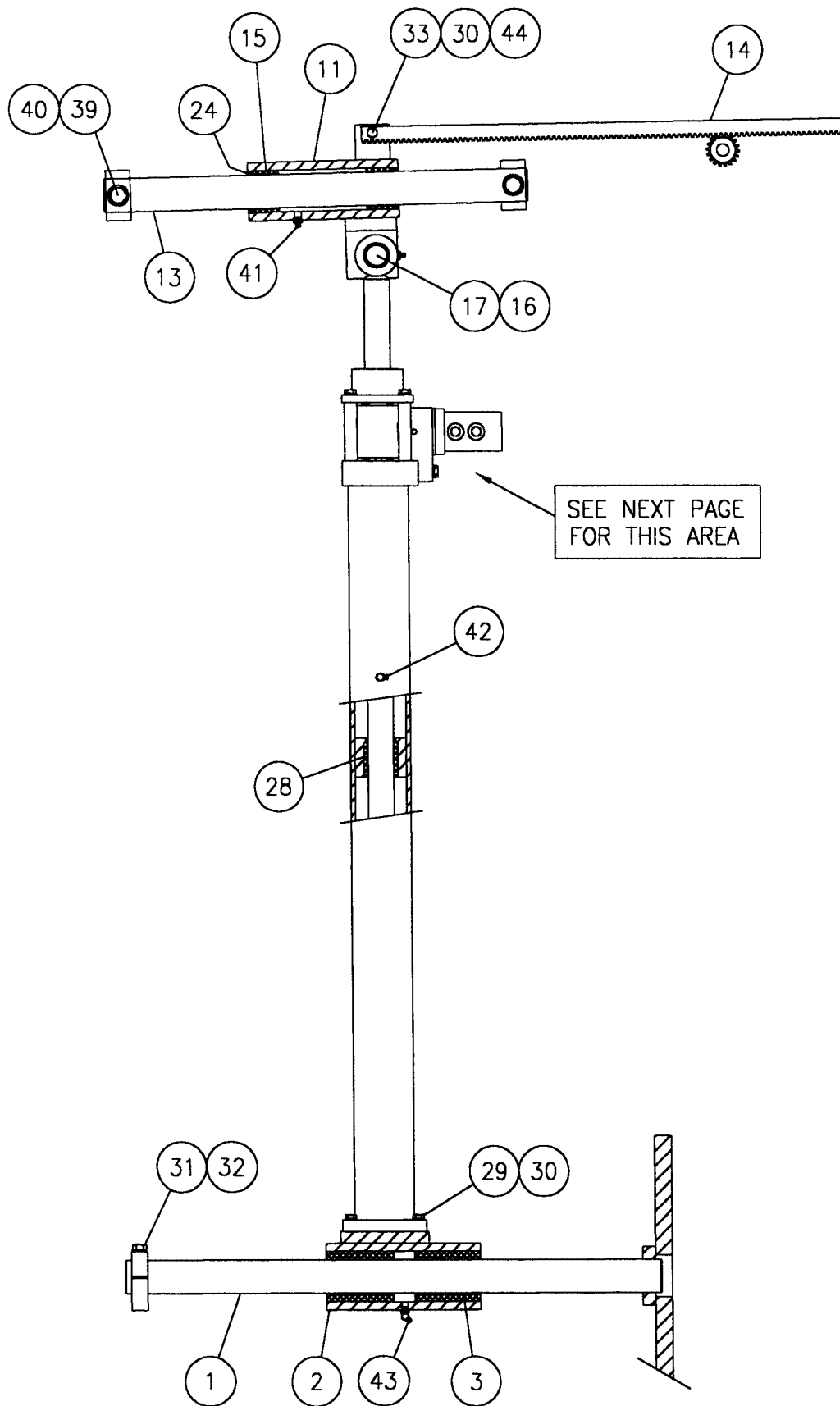
ITEM	NUMBER	DESCRIPTION	REQD
1	4-1693	LARGE BOOM	1
2	4-1514	MIDDLE BOOM	1
3	4-1513	SMALL BOOM	1
4	7-316-183	BOOM CYLINDER	REF
5	4-1239-1	GEAR / 112 TEETH (1)	REF
6	4-1239-2	GEAR / 28 TEETH (1)	REF
7	4-1239-3	GEAR / 18 TEETH (1)	REF
8	2-1140	RACK (1)	REF
9	4-1239-4	SPROCKET / 35 TEETH (1)	REF
10	7-115-01	SPROCKET / IDLER (1)	REF
11	3-1186-1	PIN / RACK DRIVE (1)	REF
12	3-1186-2	PIN / COPY SPROCKET (1)	REF
13	4-1449-1	PIN / S-BOOM / REAR-TOP	1
14	4-1073-2	PIN / M-BOOM / REAR-BOT	1
15	4-1449-6	PIN / M-BOOM / FRONT-BOT	1
16	4-1073-6	PIN / L-BOOM / FRONT-BOT	1
17	4-1073-3	PIN / M-BOOM / REAR-TOP	1
18	3-1191-6	PIN / FRONT CHAIN SHEAVE	1
19	2-1052-3	PIN / LEAF CHAIN	4
20	3-1154-5	CROSS SHAFT / MAIN PIVOT	1
21	3-1092-3	CROSS SHAFT / HEAD LIFT CYLINDER	REF
22	6-2524-10	COLLAR	REF
23	4-1074-1	ROLLER / M-BOOM / REAR-TOP	2
24	4-1475-1	ROLLER / S-BOOM / REAR-TOP	2
25	4-1074-2	ROLLER / M-BOOM / REAR-BOT	2
26	4-1475-2	ROLLER / M-BOOM / FRONT-BOT	2
27	4-1475-2	ROLLER / L-BOOM / FRONT-BOT	2
28	4-1246-4	SHEAVE / CHAIN / FRONT	1
29	4-1074-8	SHEAVE / HOSE	1
30	1-1013-3	LEAF CHAIN / RETRACTION	1
31	1-1013-3	LEAF CHAIN / EXTENSION	1
32	1-2030-3	CHAIN / COPY / #40 (1)	REF
33	4-1237-1	CHAIN ANCHOR / ADJUSTABLE	1
34	4-1237-2	CHAIN ANCHOR / BOLT-ON	1
35	4-1237-4	CHAIN ANCHOR / PINNED	1
36	7-193-05	NEEDLE BEARING / 1.500 ID	8
37	7-305-04	BEARING / BRONZE FLANGE (1)	REF
38	7-305-05	BEARING / BRONZE FLANGE (2)	REF
39	6-6600-02	THRUST WASHER 3.00 x 1.50 x .188	4
40	6-6600-14	THRUST WASHER 5.00 x 3.00 x .250	2
41	6-6600-05	THRUST WASHER 4.00 x 2.00 x .188	2
42	6-6600-12	THRUST WASHER 3.50 x 1.50 x .125	2
43	3-1244-1	MANIFOLD BLOCK	1
44	3-1279	COVER / REAR ACCESS	1
45	3-1280	GUARD / TILT VALVE	1
46	3-1189-1	GUIDE / RACK (1)	REF
47	6-6206-24	SELF-LOCKING NUT 1 1/2 NF	6
48	6-6215-24	FLATWASHER 1 1/2	4
49	2-1184	WEAR PAD / BOOM	4
50	4-1713-1	SUPPORT / BOOM CYLINDER	1
51	6-4516-24	BRONZE BUSHING / SMALL BOOM	REF
52	6-5208-14	CAPSCREW 1/2 NC x 1 3/4 LG.	2

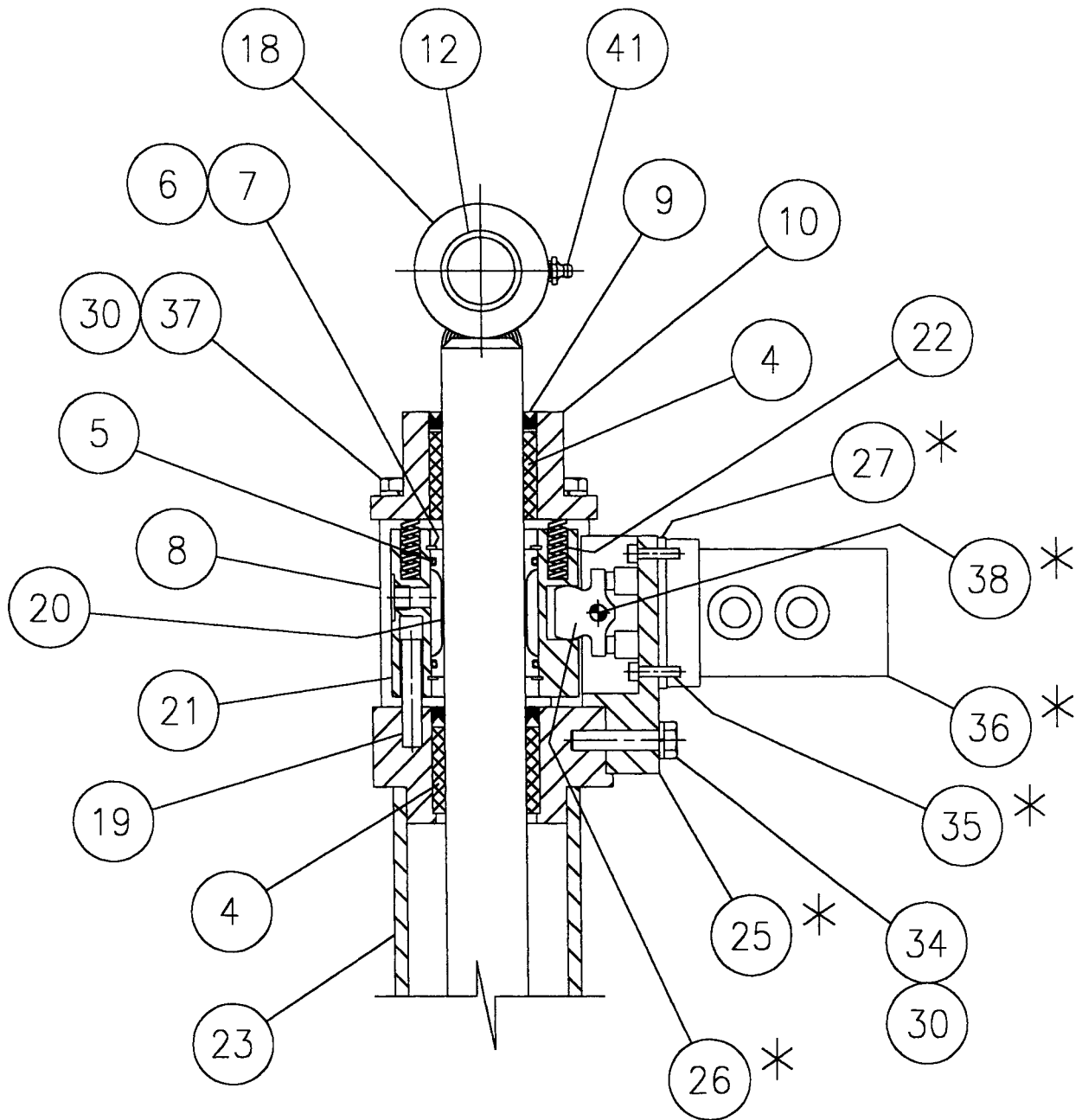
ITEM	NUMBER	DESCRIPTION	REQD
53	6-6201-06	HEX NUT 3/8 NC	4
54	6-6211-06	LOCKWASHER 3/8 (4)	14
55	6-6275-04	SETSCREW 3/8 NC x 3/4 LG.	2
56	6-5312-68	CAPSCREW 3/4 NF x 8 1/2 LG.	1
57	6-6202-12	HEX NUT 3/4 NF	2
58	6-6211-12	LOCKWASHER 3/4	4
59	6-5605-10	CAPSCREW SH 5/16 NC x 1 1/4 (2)	REF
60	6-6201-05	HEX NUT 5/16 NC (2)	REF
61	6-6211-05	LOCKWASHER 5/16 (2)	REF
62	6-5208-10	CAPSCREW 1/2 NC x 1 1/4 LG.	8
63	6-5206-06	CAPSCREW 3/8 NC x 3/4 LG.	6
64	6-5208-44	CAPSCREW 1/2 NC x 5 1/2 LG.	REF
65	6-5206-24	CAPSCREW 3/8 NC x 3 LG.	2
66	2-1090	PIN / BASE BOOM CYLINDER	REF
67	6-5312-12	CAPSCREW 3/4 NF x 1 1/2 LG.	2
68	6-6243-06	COTTER PIN 3/32 x 3/4 LG.	8
69	7-142-01	SELF-LOCKING NUT 1-12 THD.	1
70	7-194-01	SPRING / COMPRESSION	1
71	6-6215-16	FLATWASHER 1.0	1
72	3-1187-1	MOUNT / IDLER SPROCKET (1)	REF
73	6-5310-30	CAPSCREW 5/8 NF x 3 3/4 LG. (1)	REF
74	6-6202-10	HEX NUT 5/8 NF (1)	REF
75	7-261-05	CONNECTING LINK / WITH CLIP (1)	REF
76	6-5206-12	CAPSCREW 3/8 NC x 1 1/2 LG. (4)	REF
77	6-6212-06	FLATWASHER 3/8 (4)	6
78	6-6211-08	LOCKWASHER 1/2	10
79	7-194-43	KEY / WOODRUFF 3/16 x 1 (4)	REF
80	7-305-08	THRUST WASHER (1)	REF
81	7-305-07	BEARING / BRONZE (1)	REF
82	7-194-44	COLLAR (1)	REF
83	6-5312-48	CAPSCREW 3/4 NF x 6 LG.	1
84	6-4524-32	BRONZE BUSHING / LARGE BOOM	REF
85	6-5206-20	CAPSCREW 3/8 NC x 2 1/2 LG.	2
86	6-6701-06	WASHER	1
87	6-6201-08	HEX NUT 1/2 NC	2
88	1-1101-03	SHIM / 3/16	4
89	2-1109	CLAMP / 1/2 HOSE	1
90	6-5206-18	CAPSCREW 3/8 NC x 2 1/4 LG.	2
91	3-1244-2	SPACER / MANIFOLD BLOCK	1
92	4-1074-3	ROLLER / S-BOOM / REAR-BOT	2
93	4-1073-1	PIN / S-BOOM / REAR-BOT	1
94	6-6600-03	THRUST WASHER 3.00 x 2.00 x .188	2
95	7-193-07	NEEDLE BEARING / 2.000 ID	16
96	6-6275-05	SETSCREW 5/8 NC x 1 LG.	1
97	6-5206-22	CAPSCREW 3/8 NC x 2 3/4 LG.	1
98	6-5206-28	CAPSCREW 3/8 NC x 3 1/2 LG.	1
99	6-6301	LUBE FITTING 1/8 NPT STR	4
100	6-6306	LUBE FITTING 1/4-28 STR (3)	8
101	6-6275-07	SETSCREW 5/8 NC x 5/8 LG.	1
102	6-6600-06	THRUST WASHER 4.00 x 2.00 x .125	4
103	6-9600-105	EDGING 1/2 x 13 1/8 LG.	1

DRAWING
NUMBER P4-1702

BOOM ASSEMBLY
SS-842 SQUARE SHOOTER

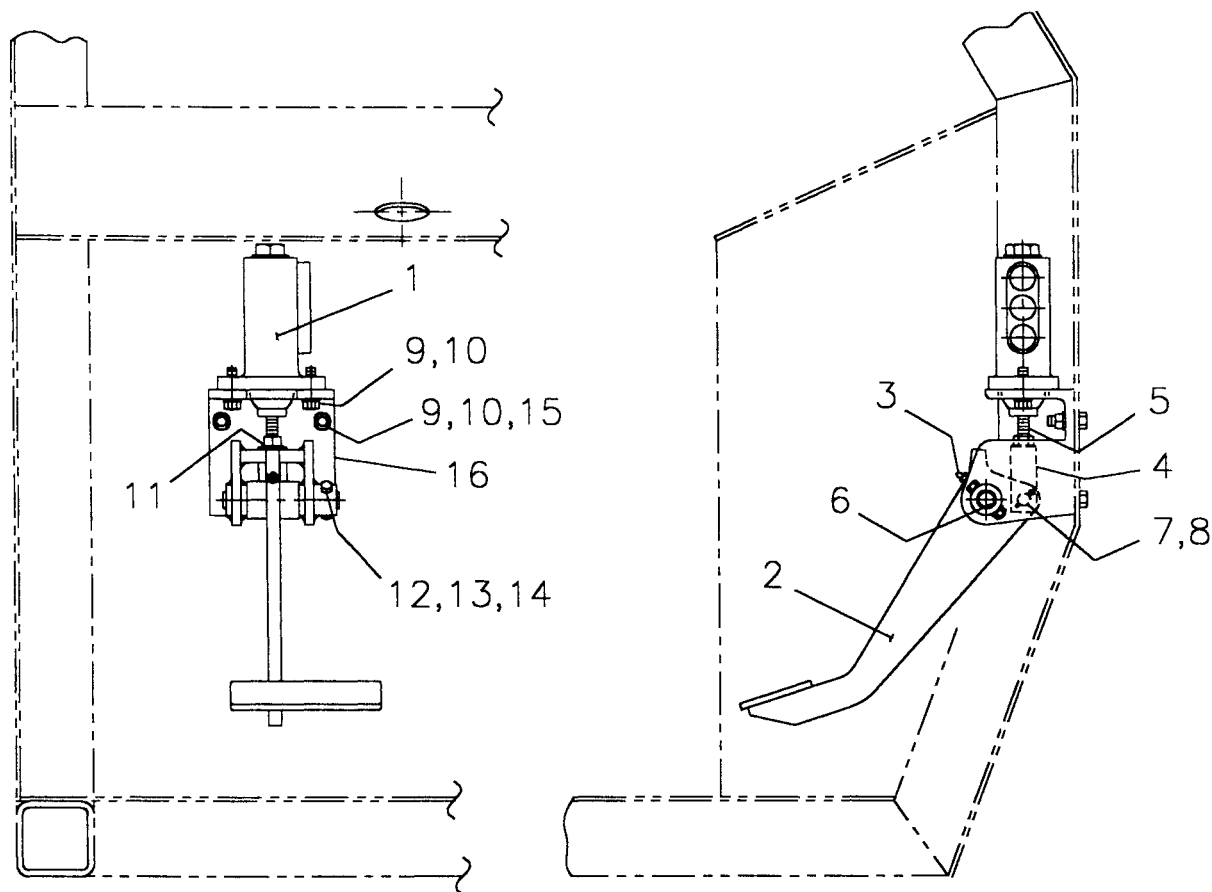
PAGE
NUMBER 9L



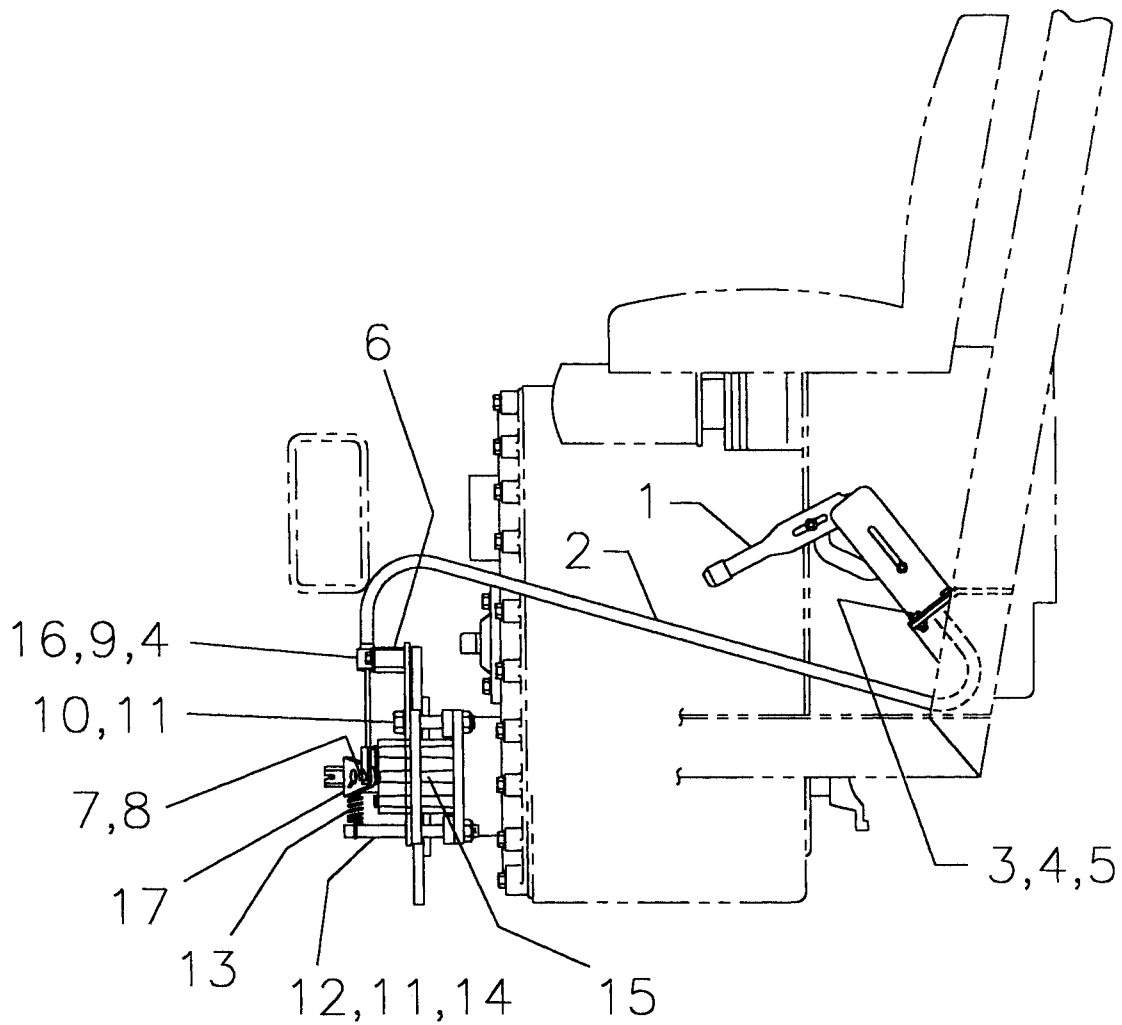


* (45) PRE-SET AUTO-CONTROLLER ASSEMBLY

ITEM	NUMBER	DESCRIPTION	REQD
1	4-1449-2	SHAFT / LOWER COPY	1
2	4-1072	LOWER SLIDE	1
3	7-259-01	LINEAR BEARING / LOWER SLIDE	2
4	6-4512-13	BRONZE BUSHING 1.50 ID x 1.62 LG	2
5	7-209-60	O-RING 2 OD x 3/32	2
6	7-239-02	SNAP RING	1
7	7-239-03	SNAP RING	1
8	1-1010	SPACER	4
9	7-209-32	WIPER 1 1/2 ID	2
10	3-1241	CAP WELDMENT	1
11	4-1523	UPPER SLIDE	1
12	1-1035-1	BRONZE BUSHING	2
13	4-1449-3	UPPER COPY SHAFT	1
14	2-1140	RACK	REF
15	7-193-01	BEARING / INNER RACE	2
16	7-194-39	HAIR PIN COTTER	2
17	1-1136	PIN / YOKE	1
18	3-1281	LIFT COPY SHAFT	1
19	6-6223-16	DOWEL 3/8 x 2 LG.	2
20	3-1077	BRAKE SLEEVE	1
21	3-1076	BRAKE HOUSING	1
22	7-167-05	SPRING / CENTERING	8
23	4-1522	SUPPORT TUBE	1
24	7-209-33	WIPER 2 ID	2
25	3-1067-1	MOUNT / AUTO CONTROLLER	1
26	3-1067-2	ROCKER ARM	1
27	1-1089	SPACER PLATE / MODIFIED	1
28	6-4512-16	BRONZE BUSHING 1.50 ID x 2.00 LG	1
29	6-5206-12	CAPSCREW 3/8 NC x 1 1/2 LG.	4
30	6-6211-06	LOCKWASHER 3/8	11
31	6-5208-18	CAPSCREW 1/2 NC x 2 1/4 LG.	1
32	6-6211-08	LOCKWASHER 1/2	1
33	6-5206-20	CAPSCREW 3/8 NC x 2 1/2 LG.	1
34	6-5206-14	CAPSCREW 3/8 NC x 1 3/4 LG.	2
35	7-194-10	CAPSCREW / 5 MM x 20 MM LG.	4
36	7-200-82	CONTROLLER / AUTO	REF
37	6-5206-36	CAPSCREW 3/8 NC x 4 1/2 LG.	4
38	6-6222-16	DOWEL 5/16 x 2 LG.	1
39	6-5310-24	CAPSCREW 5/8 NF x 3 LG.	2
40	6-6211-10	LOCKWASHER 5/8	2
41	6-6301	LUBE FITTING 1/8 NPT STR.	2
42	6-6302	LUBE FITTING 1/8 NPT 90	1
43	6-6303	LUBE FITTING 1/8 NPT 45	1
44	6-6201-06	HEX NUT 3/8 NC	1
45	7-900-08	ASSEMBLY(ITEMS 25,26,27,35,36,38)	REF



ITEM	NUMBER	DESCRIPTION	REQD
1	7-198-39	ACTUATOR / BRAKE	REF
2	3-1148	PEDAL / BRAKE	1
3	6-6306	LUBE FITTING 1/4-28 THD.	1
4	1-1008	YOKE / BRAKE	1
5	1-1009	PUSH ROD	1
6	2-1117	PIN / BRAKE PEDAL	1
7	6-6261-12	CLEVIS PIN 1/2 x 1 1/2 LG.	1
8	6-6245-08	COTTER PIN 5/32 x 1 LG.	1
9	6-5206-10	CAPSCREW 3/8 NC x 1 1/4 LG.	5
10	6-6211-06	LOCKWASHER 3/8	5
11	6-6202-08	HEX NUT 1/2 NF	1
12	6-5205-14	CAPSCREW 5/16 NC x 1 3/4 LG.	1
13	6-6211-05	LOCKWASHER 5/16	1
14	6-6201-05	HEX NUT 5/16 NC	1
15	6-6201-06	HEX NUT 3/8 NC	3
16	4-1582	MOUNT / BRAKE PEDAL	1

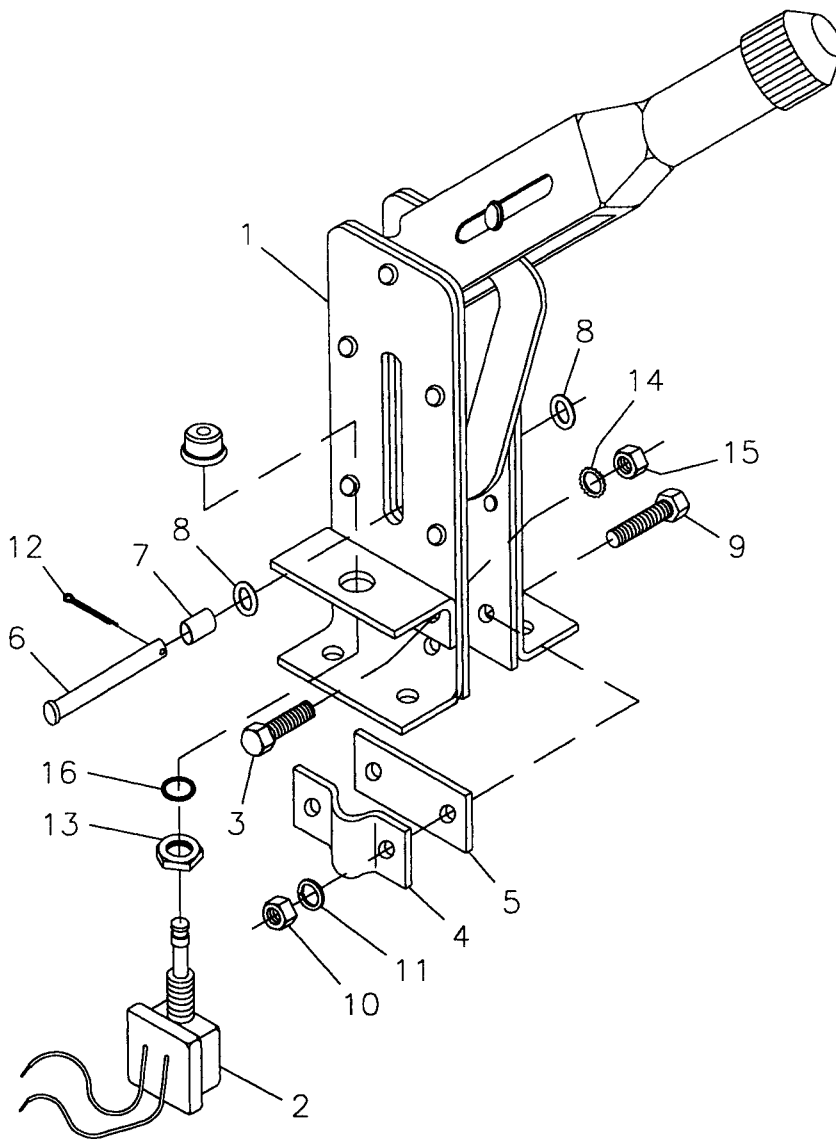


ITEM	NUMBER	DESCRIPTION	REQD
1	7-120-09	HAND BRAKE ASSY	1
2	7-208-03	CABLE / PARKING BRAKE	1
3	6-5205-08	CAPSCREW 5/16 NC x 1 LG.	4
4	6-6211-05	LOCKWASHER 5/16	6
5	6-6201-05	HEX NUT 5/16 NC	4
6	3-1333	MOUNT / DISC BRAKE CABLE	1
7	6-6259-06	CLEVIS PIN 3/8 x 3/4 LG.	1
8	6-6245-08	COTTER PIN 5/32 x 1 LG.	1
9	7-208-02	CLIP / CABLE MOUNTING	1
10	6-5310-32	CAPSCREW 5/8 NF x 4 LG.	1
11	7-290-02	SELF LOCKING JAM NUT 5/8 NF	2
12	1-1145	PIN / PARKING BRAKE SPRING	1
13	7-194-52	SPRING / PARKING BRAKE	1
14	7-194-51	SNAP RING / PARKING BRAKE	1
15	7-336-01	CALIPER BRAKE ASSEMBLY	1
16	6-5205-06	CAPSCREW 5/16 NC x 3/4 LG.	2
17	2-1172	BRAKE LEVER MODIFICATION	REF

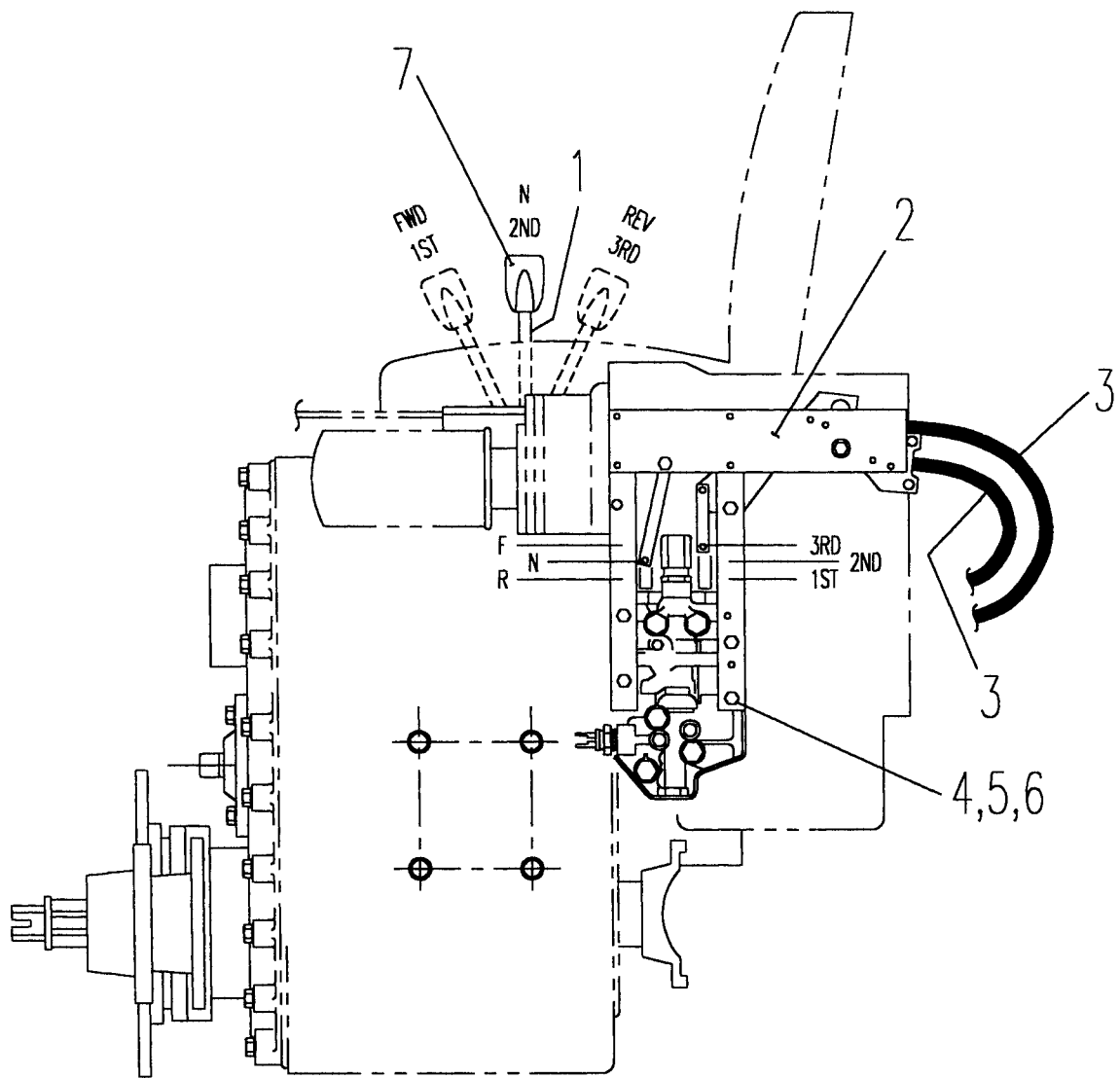
DRAWING NUMBER P1-1168

PARKING BRAKE ASSEMBLY
SS-636, SS-842, & SS-1048

PAGE NUMBER 12



ITEM	NUMBER	DESCRIPTION	REQD
1	7-120-09	HAND BRAKE ASSEMBLY	REF
2	7-120-10	SWITCH KIT	1
3	6-5204-06	CAPSCREW 1/4 NC x 3/4 LG.	2
4	7-120-04	CLAMP	1
5	7-120-05	CLAMP BASE	1
6	6-6258-18	CLEVIS PIN 5/16 x 2 1/4 LG. SS	1
7	7-120-07	SPACER	1
8	7-120-06	WASHER	2
9	6-5205-08	CAPSCREW 5/16 NC x 1 LG.	2
10	6-6201-05	HEX NUT 5/16 NC	2
11	6-6211-05	LOCKWASHER 5/16	2
12	6-6244-06	COTTER PIN 1/8 x 3/4 LG.	1
13	7-120-08	PAL NUT	1
14	6-6216-04	STARWASHER 1/4	2
15	6-6201-04	HEX NUT 1/4 NC	2
16	7-209-123	O-RING (SWITCH SEAL)	1

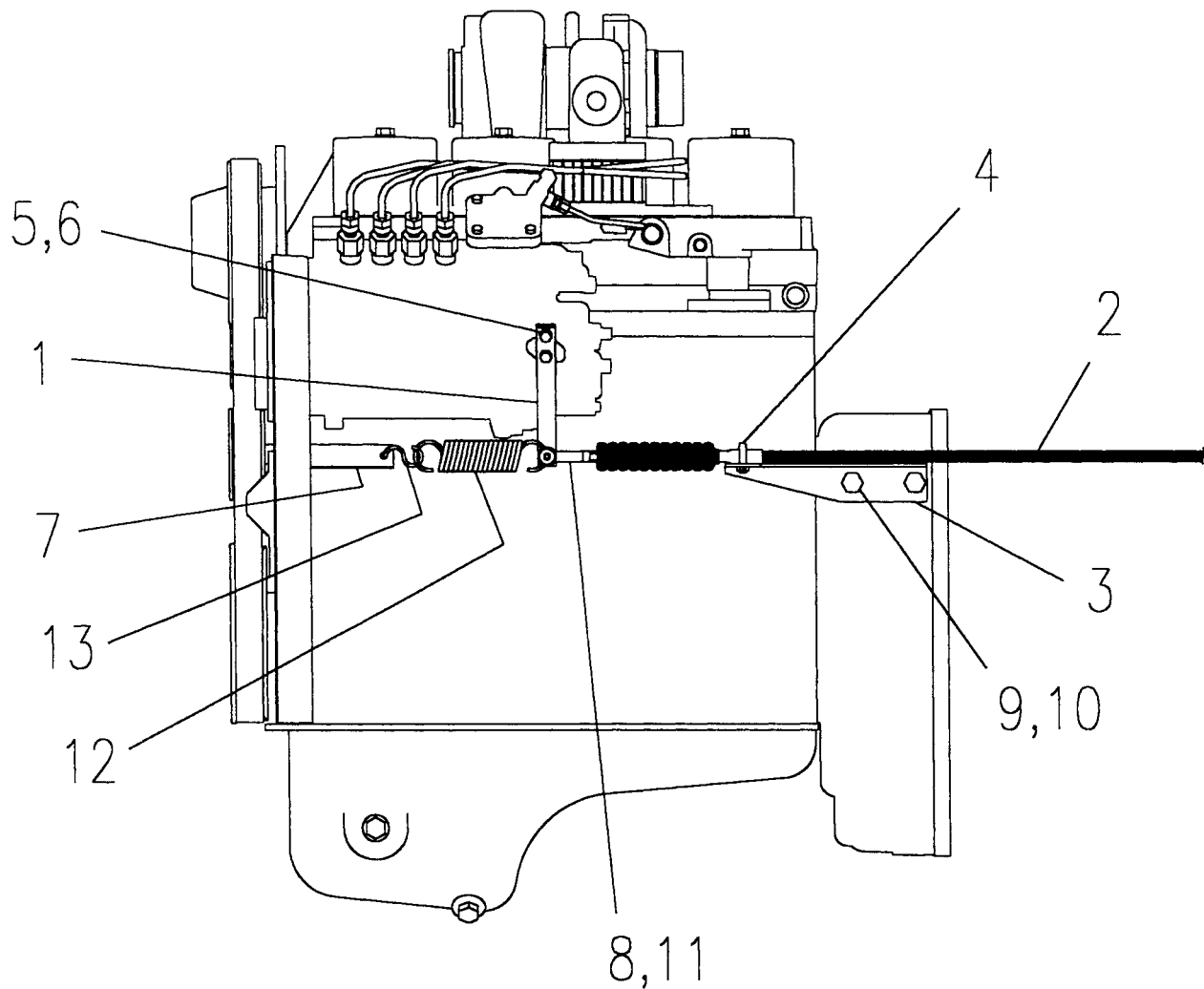


ITEM	NUMBER	DESCRIPTION	REQD
1	7-249-01	TRANSMISSION CONTROL ASSEMBLY	1
2	7-249-15	TRANSMISSION SHIFTING KIT	1
3	7-120-01	CONTROL CABLE	2
4	7-194-12	STUD 3/8 NC x 5 LG.	4
5	6-6211-06	LOCKWASHER 3/8	4
6	6-6201-06	HEX NUT 3/8 NC	4
7	7-249-13	SHIFTING KNOB / TRANSMISSION	REF

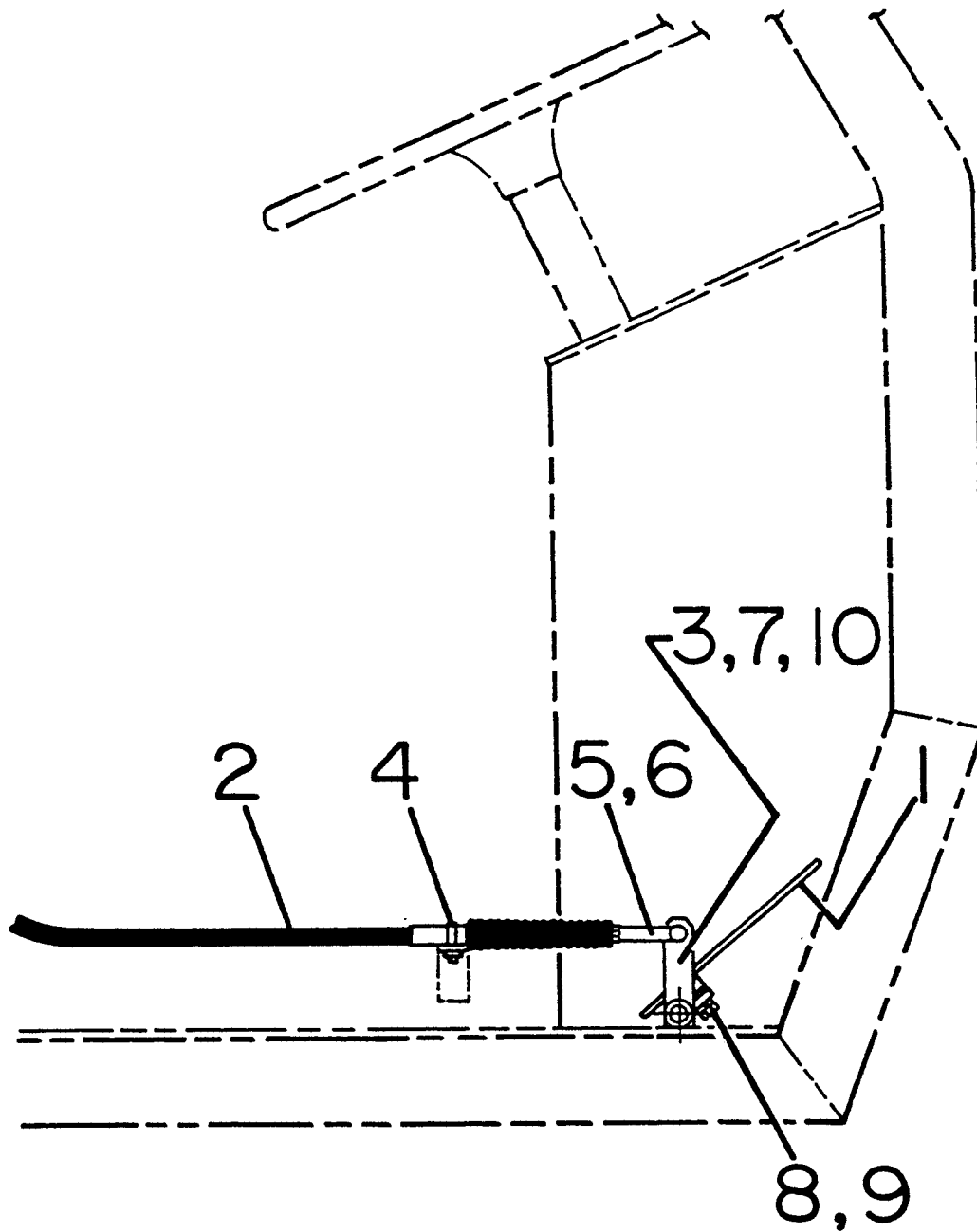
DRAWING
NUMBER P3-1172

TRANSMISSION CONTROL ASSEMBLY
SS-636, SS-842, & SS-1048

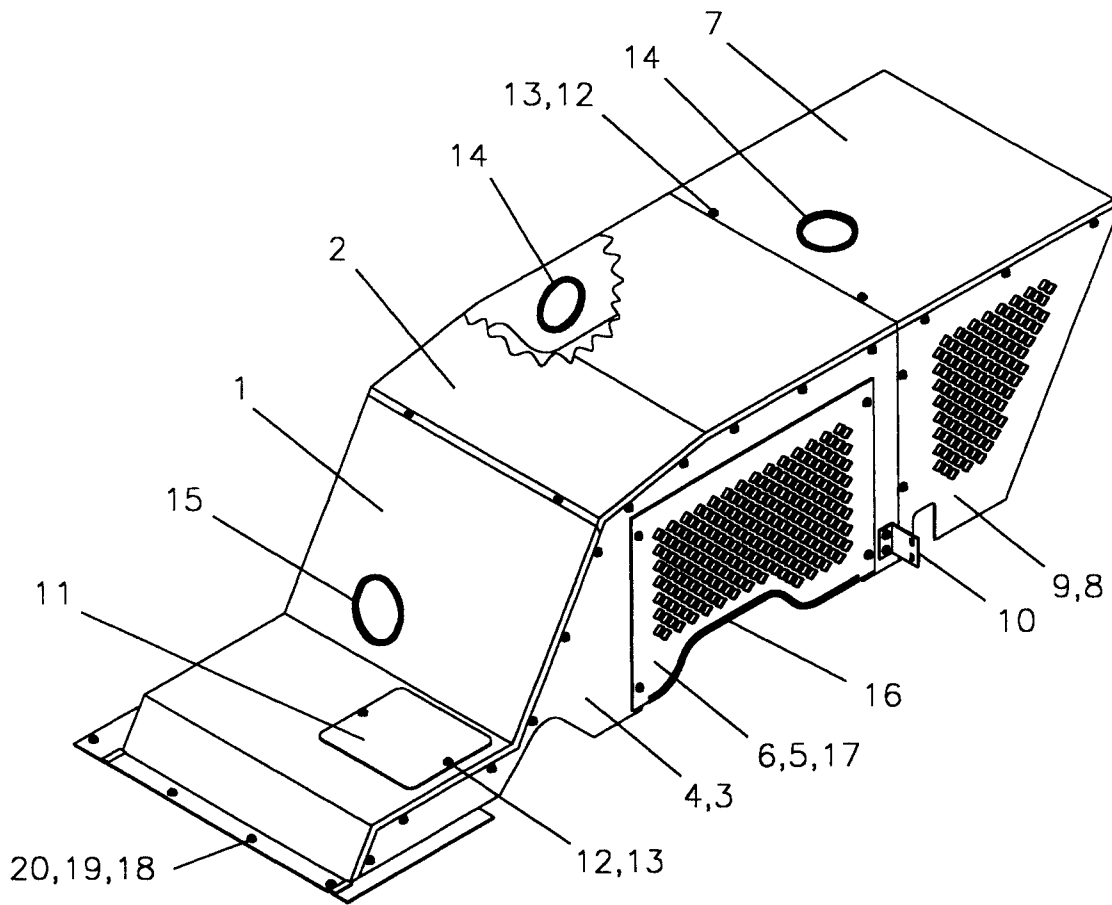
PAGE
NUMBER 14



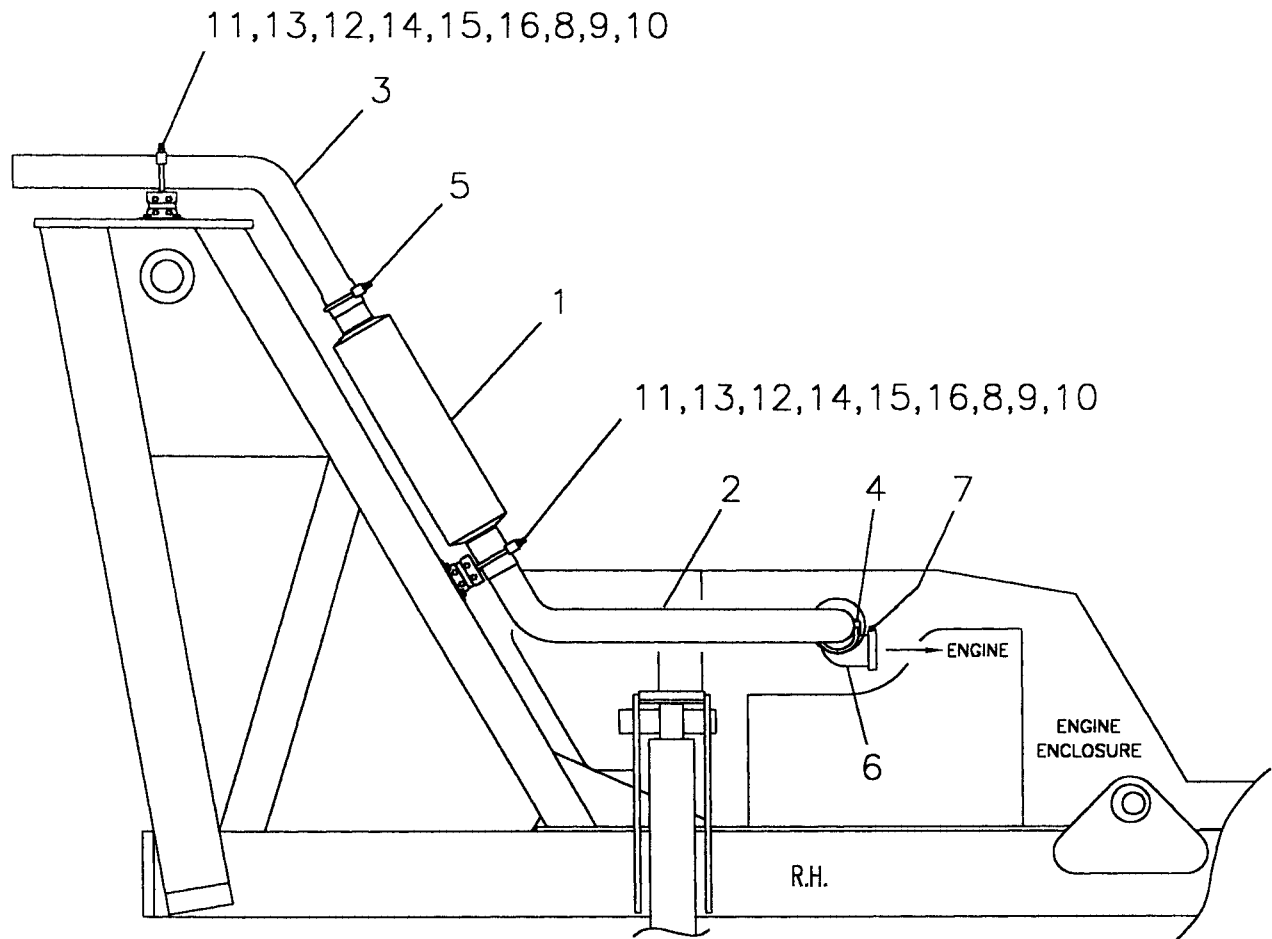
ITEM	NUMBER	DESCRIPTION	REQD
1	2-1181	ACCELERATOR LEVER	1
2	7-266-02	CABLE / ACCELERATOR	REF
3	2-1182	MOUNT / ACCELERATOR CABLE	1
4	7-194-07	U-BOLT w/ NUTS	1
5	6-8506-12	CAPSCREW 6mm x 1.00 x 12mm LG.	2
6	6-9111-06	LOCKWASHER 6mm	2
7	1-1204	MOUNT / ACCELERATOR SPRING	1
8	7-194-05	YOKE w/ CLEVIS PIN & COTTER PIN	1
9	6-8512-25	CAPSCREW 12mm x 1.75 x 25mm LG.	2
10	6-9111-12	LOCKWASHER 12mm	2
11	6-6208-04	JAM NUT 1/4-28 (w/ CABLE)	REF
12	7-194-20	SPRING / RETURN	1
13	7-194-18	S-HOOK	1



ITEM	NUMBER	DESCRIPTION	REQD
1	3-1080	PEDAL / ACCELERATOR	1
2	7-266-02	CABLE / ACCELERATOR	1
3	3-1081	LINKAGE / ACCELERATOR	1
4	7-194-07	U-BOLT W/ NUTS	1
5	7-194-05	YOKE W/ CLEVIS PIN & COTTER PIN	1
6	6-6208-04	JAM NUT 1/4-28 W/ CABLE	REF
7	6-6306	LUBE FITTING / 1/4-28 STR.	3
8	6-5204-08	CAPSCREW 1/4 NC x 1 LG.	2
9	6-6211-04	LOCKWASHER 1/4	2
10	7-194-06	SHIM / AS REQD	2



ITEM	NUMBER	DESCRIPTION	REQD
1	4-1742-1	TOP FRONT COVER / FRONT HOUSING	REF
2	4-1742-2	TOP REAR COVER / FRONT HOUSING	REF
3	4-1759-3	SIDE PLATE / RH / FRONT HOUSING	REF
4	4-1742-4	SIDE PLATE / LH / FRONT HOUSING	REF
5	4-1759-5	SIDE SCREEN / RH / FRONT HOUSING	REF
6	4-1742-6	SIDE SCREEN / LH / FRONT HOUSING	REF
7	4-1742-7	TOP COVER / REAR HOUSING	REF
8	4-1742-8	SIDE PLATE / RH / REAR HOUSING	REF
9	4-1742-9	SIDE PLATE / LH / REAR HOUSING	REF
10	4-1728-10	SUPPORT BRACKET / FRONT HOUSING	REF
11	4-1717-7	ACCESS COVER / FRONT HOUSING	REF
12	7-290-01	BODY BOLT 5/16 NC x 3/4 LG.	51
13	6-6212-04	FLATWASHER 1/4	51
14	6-9601-134	EDGING 1/4 x 16 3/4 LG.	2
15	6-9601-178	EDGING 1/4 x 22 1/4 LG.	1
16	6-9601-232	EDGING 1/4 x 29 LG.	2
17	6-9601-269	EDGING 1/4 x 33 5/8 LG.	1
18	6-5206-06	CAPSCREW 3/8 NC x 3/4 LG.	10
19	6-6211-06	LOCKWASHER 3/8	10
20	6-6212-06	FLATWASHER 3/8	10
21	4-1759	ENGINE ENCLOSURE ASSY (ITEMS 1-13)	1



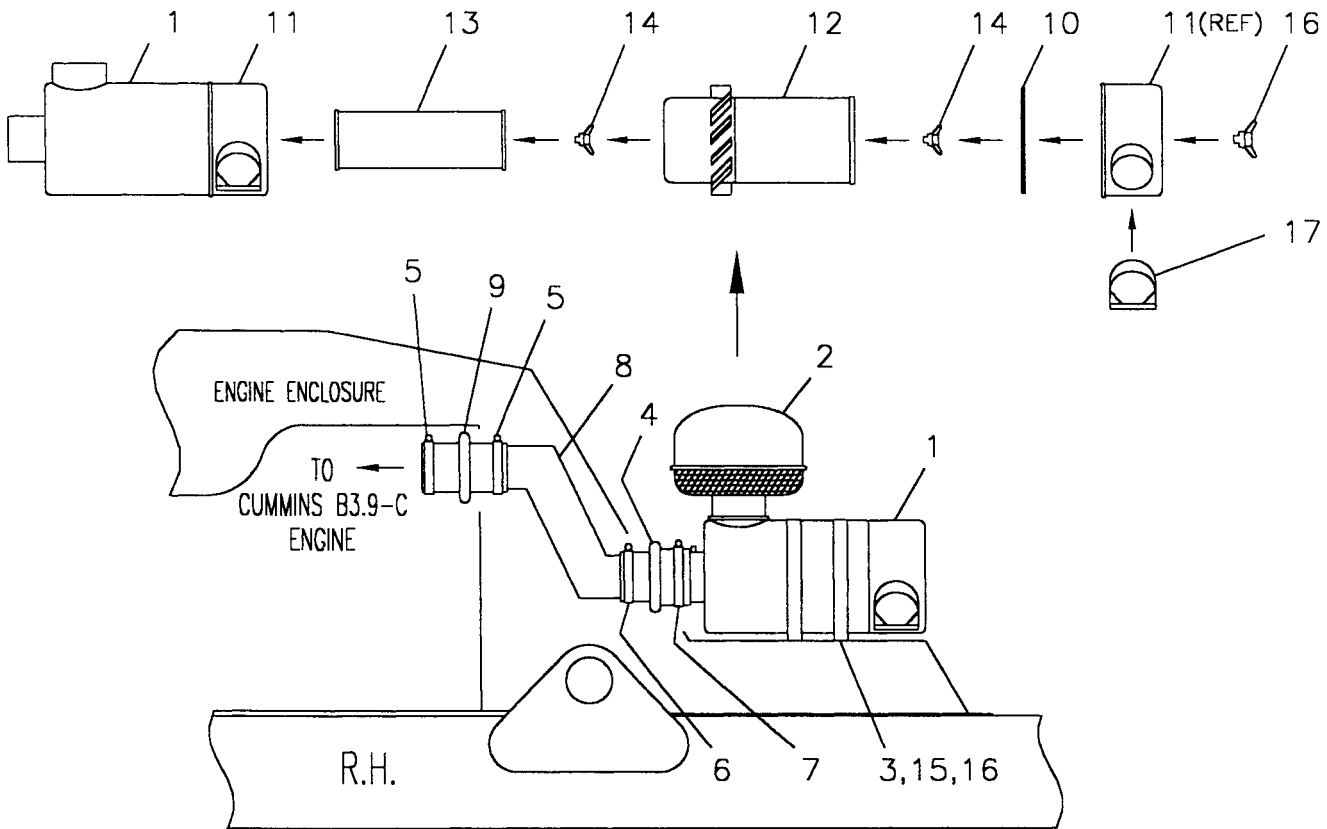
ITEM	NUMBER	DESCRIPTION	REQD
1	7-282-04	MUFFLER	1
2	4-1739	EXHAUST PIPE	1
3	3-1349	TAILPIPE	1
4	7-319-10	MUFFLER CLAMP 3 IN.	1
5	7-319-14	MUFFLER CLAMP 3 1/4 IN.	1
6	7-343-04	EXHAUST ELBOW (with engine)	REF
7	7-343-05	V-CLAMP / EXH. ELBOW (with engine)	REF
8	6-5206-08	CAPSCREW 3/8 NC x 1 LG.	4
9	6-6212-06	FLATWASHER 3/8	4
10	6-6211-06	LOCKWASHER 3/8	4
11	2-1168	CLAMP BRACKET / EXHAUST / 3 IN.	2
12	1-1174	BASE / EXHAUST BRACKET	2
13	1-1173	FLEX JOINT / EXHAUST	2
14	6-6212-04	FLATWASHER 1/4	8
15	6-6205-04	SELF LOCKING NUT 1/4 NC	8
16	6-5204-08	CAPSCREW 1/4 NC x 1 LG.	8

DRAWING
NUMBER

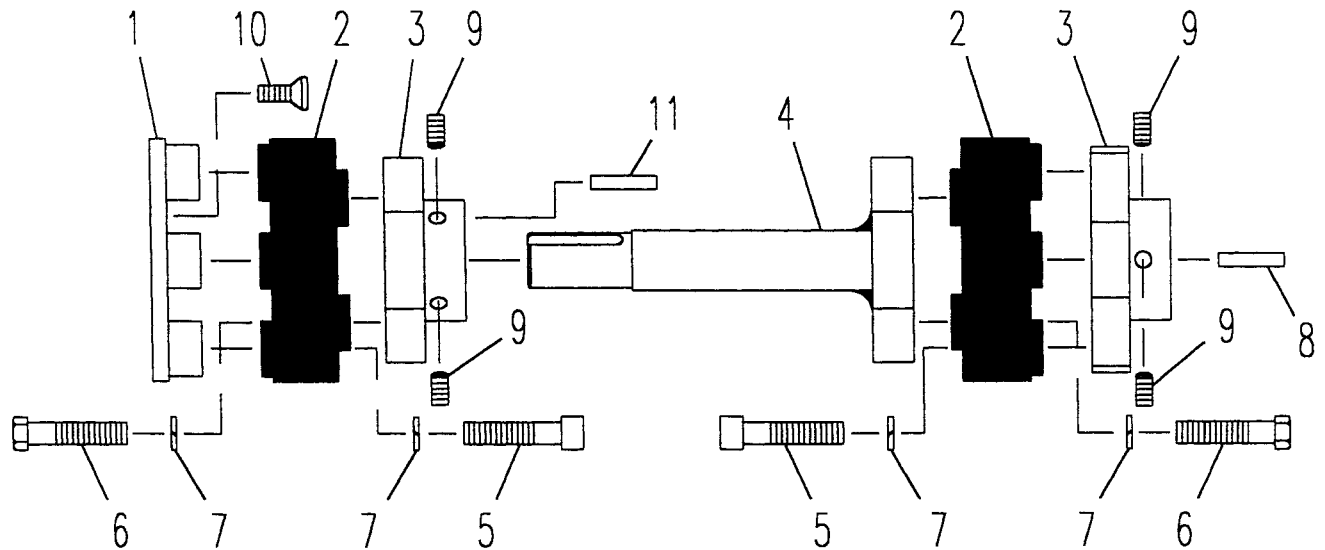
P4-1799

EXHAUST ASSEMBLY / CUMMINS B3.9-C-100
SS-842 w/ HIGH MOUNT TURBO ENGINE

PAGE
NUMBER 18



ITEM	NUMBER	DESCRIPTION	REQD
1	7-204-01	AIR CLEANER ASSEMBLY	1
2	7-204-02	HOOD	1
3	7-135-02	MOUNTING BAND	2
4	7-135-14	HUMP REDUCER	1
5	7-343-07	T-HOSE CLAMP (2) (with engine)	REF
6	6-6252-13	CLAMP / WORM / 3 IN.	1
7	6-6252-15	CLAMP / WORM / 3 1/2	1
8	4-1738	AIR INLET PIPE	1
9	7-343-14	STRAIGHT HUMP HOSE (with engine)	REF
10	7-204-07	O-RING	REF
11	7-204-08	COVER ASSEMBLY	REF
12	7-204-04	FILTER / PRIMARY	REF
13	7-204-05	FILTER / SAFETY	REF
14	7-204-06	WING NUT / FILTER (2 REQ.)	REF
15	7-290-01	BODY BOLT 5/16 NC x 3/4 LG.	4
16	7-204-09	WING NUT / COVER ASSEMBLY	REF
17	7-204-10	DUST EJECTOR	REF

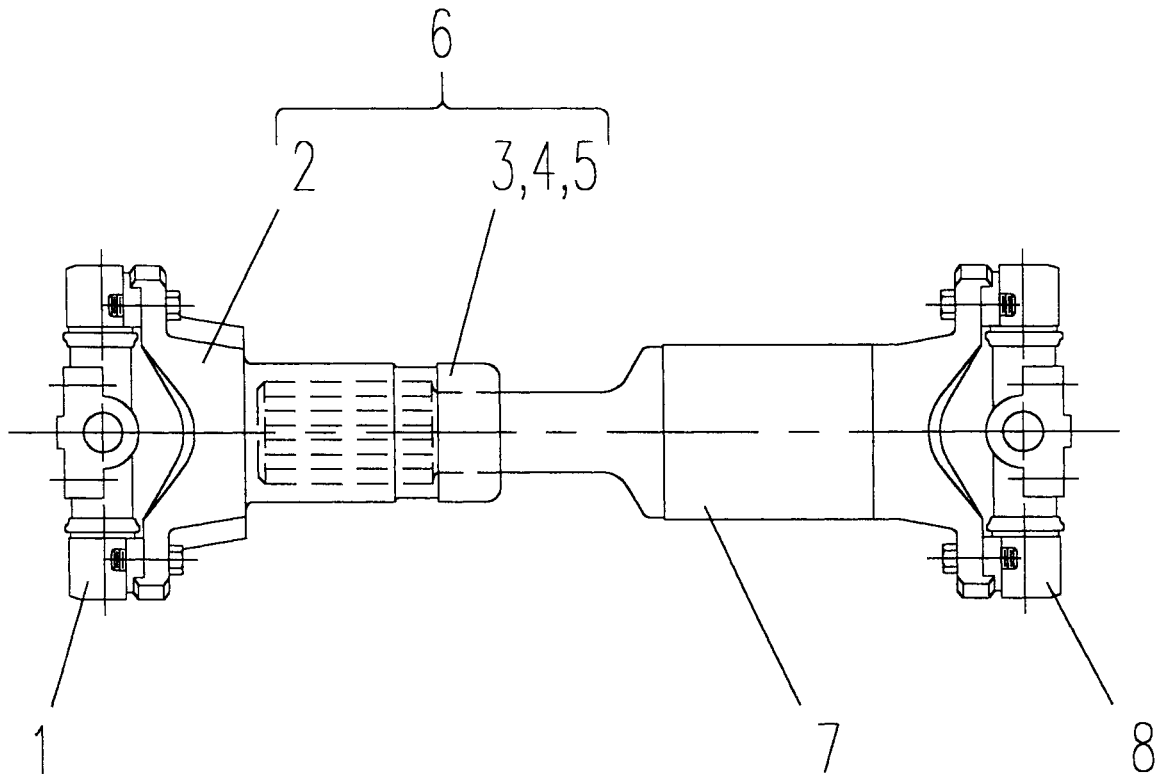


ITEM	NUMBER	DESCRIPTION	REQD
1	3-1253	DRIVE FLANGE / ENGINE SIDE	1
2	7-190-03	FLEXIBLE COUPLING	2
3	4-1475-3	DRIVE FLANGE	2
4	3-1350	DRIVE SHAFT / PUMP	1
5	6-5608-18	CAPSCREW SH 1/2 NC x 2 1/4 LG.	8
6	6-5208-20	CAPSCREW 1/2 NC x 2 1/2 LG.	8
7	6-6211-08	LOCKWASHER 1/2	16
8	6-6280-06	KEY 5/16 SQ. x 1 3/8 LG. (w/PUMP)	REF
9	6-6275-04	SETSCREW 3/8 NC x 3/4 LG.	4
10	7-183-16	SCREW	4
11	6-6280-07	KEY 5/16 SQ. x 2 1/2 LG.	1

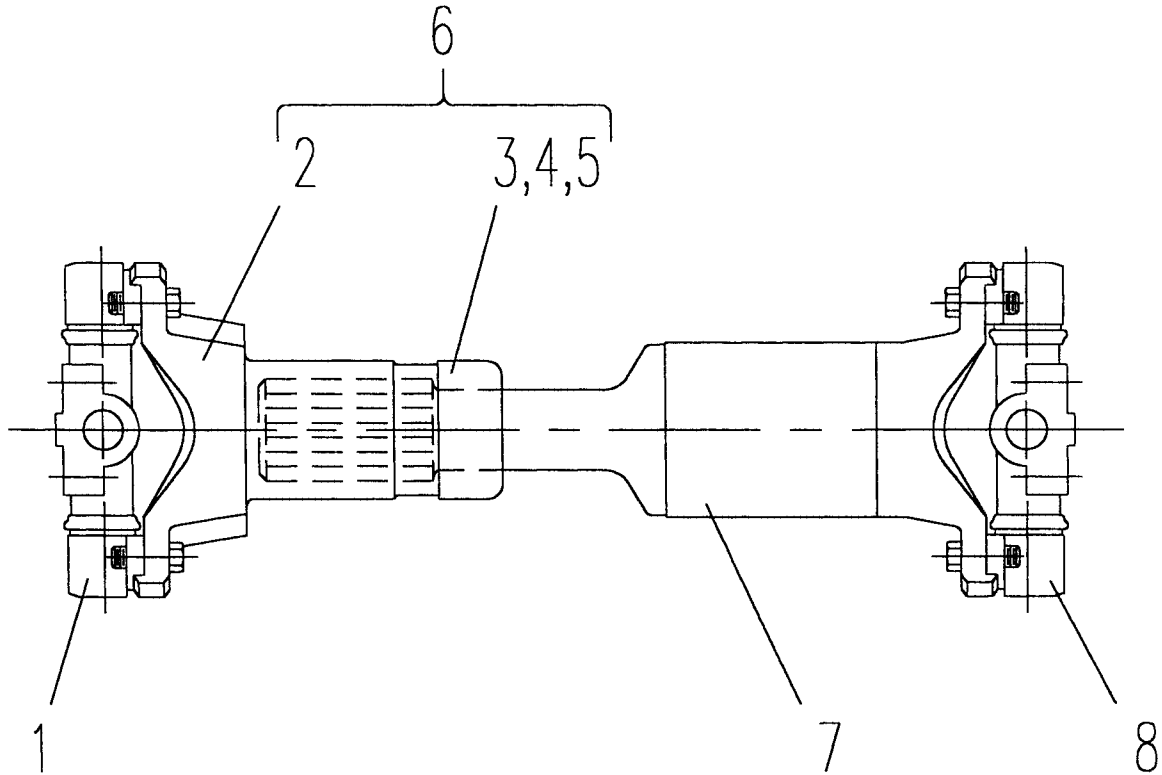
DRAWING NUMBER P4-1801

PUMP DRIVE ASSEMBLY / CUMMINS B3.9-C-100
SS-842 w/ HIGH MOUNT TURBO ENGINE

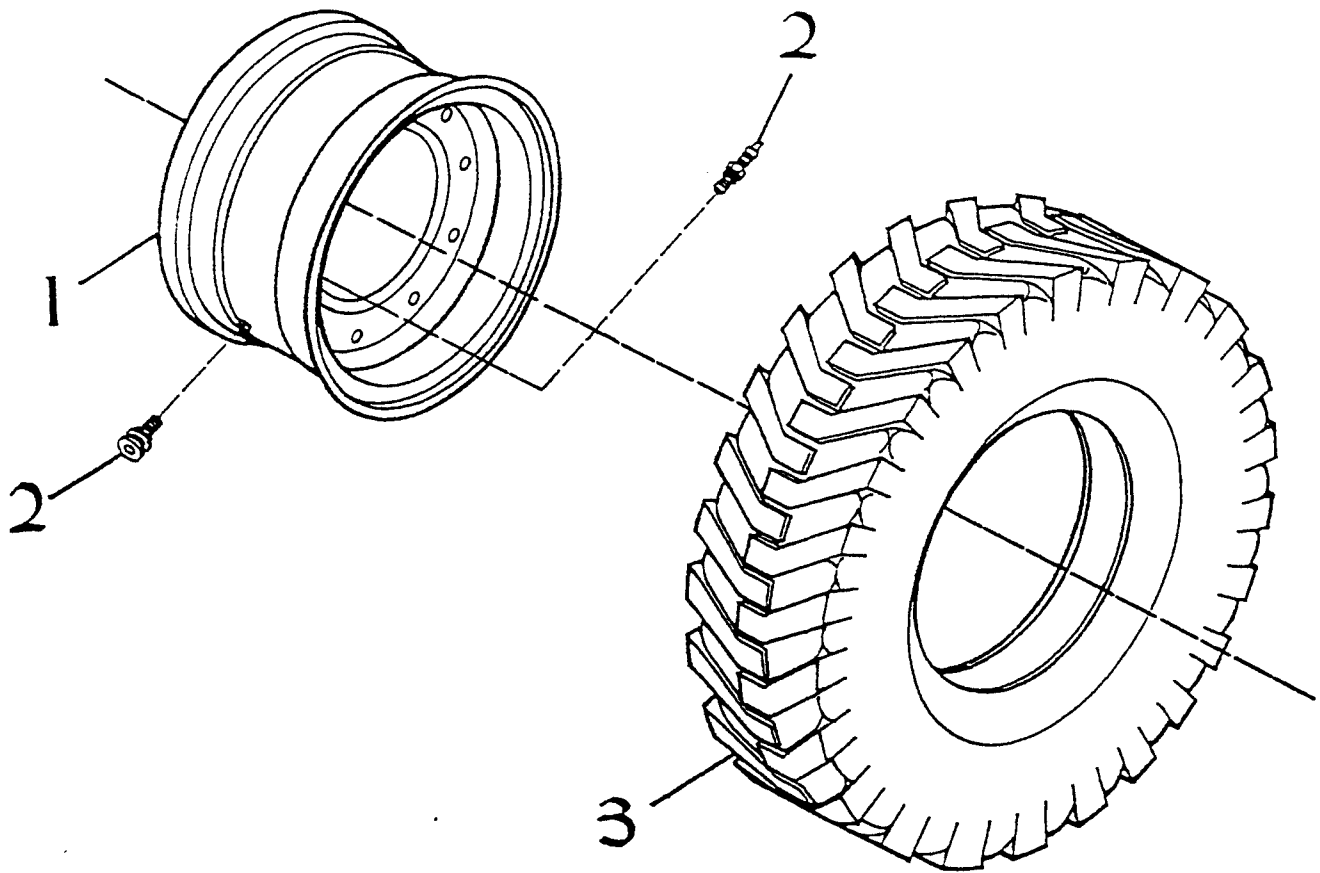
PAGE NUMBER 20



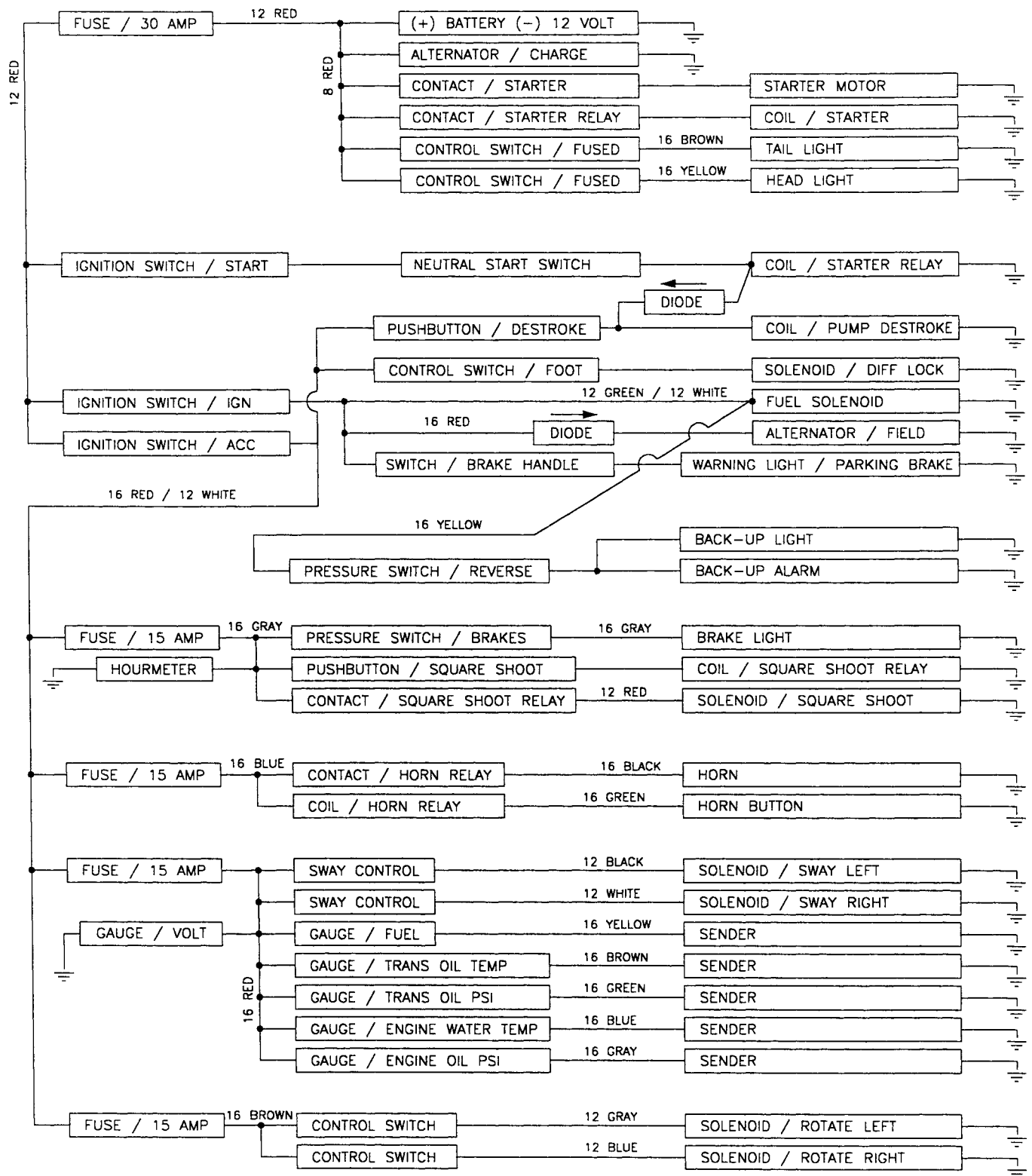
ITEM	NUMBER	DESCRIPTION	REQD
1	7-196-02	CROSS & BEARING ASSEMBLY	1
2	7-196-06	SLIP YOKE	1
3	7-196-07	RETAINING CAP	1
4	7-196-08	RETAINING WASHER	1
5	7-196-09	FELT WASHER	1
6	7-196-05	SLIP YOKE ASSEMBLY	1
7	7-196-40	TUBE WELDMENT	1
8	7-196-02	CROSS & BEARING ASSEMBLY	1
9	7-196-39	DRIVESHAFT ASSY (ITEMS 1 THRU 8)	REF

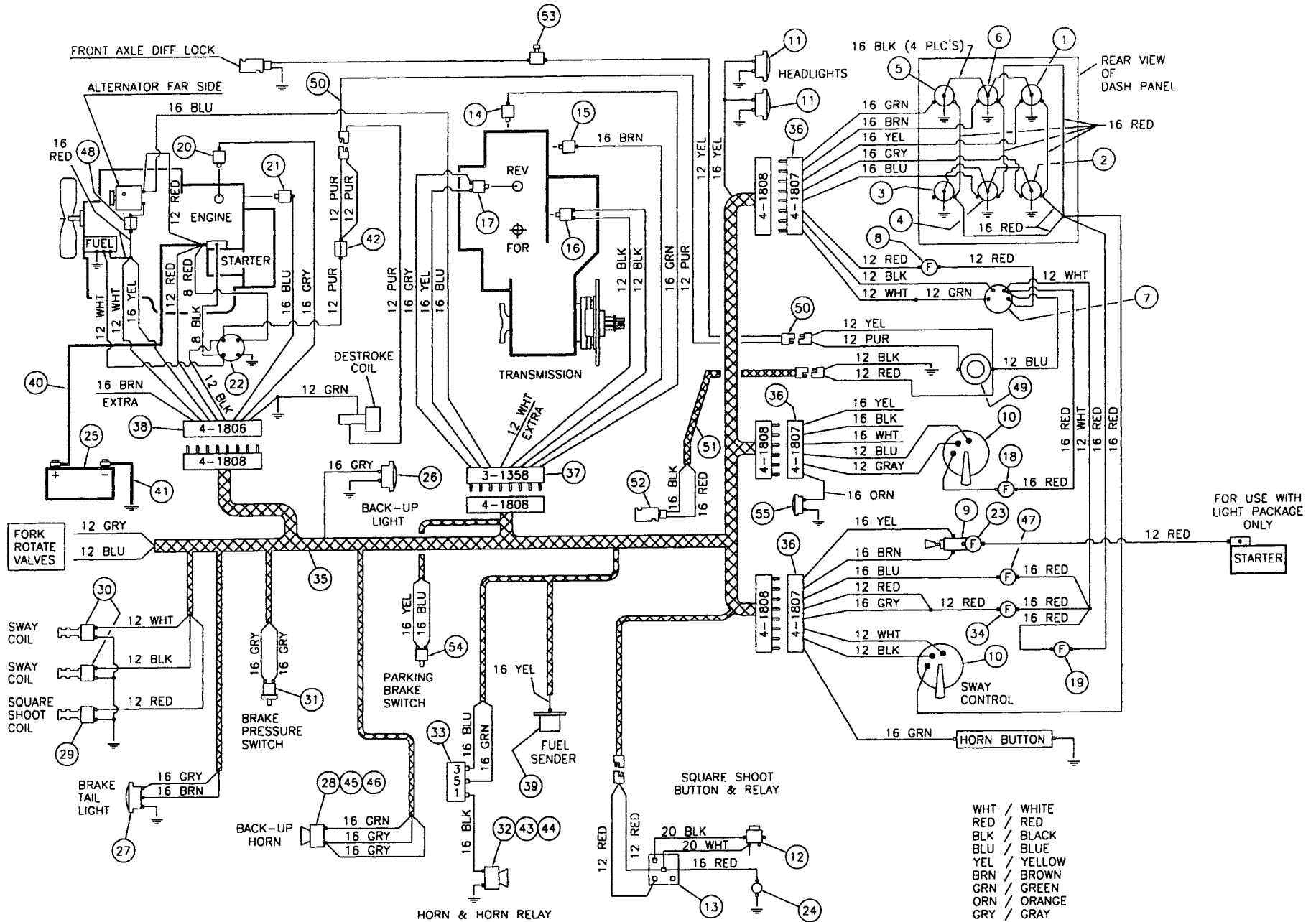


ITEM	NUMBER	DESCRIPTION	REQD
1	7-196-02	CROSS & BEARING ASSEMBLY	1
2	7-196-06	SLIP YOKE	1
3	7-196-07	RETAINING CAP	1
4	7-196-08	RETAINING WASHER	1
5	7-196-09	FELT WASHER	1
6	7-196-05	SLIP YOKE ASSEMBLY	1
7	7-196-36	TUBE WELDMENT	1
8	7-196-02	CROSS & BEARING ASSEMBLY	1
9	7-196-35	DRIVESHAFT ASSY (ITEMS 1 THRU 8)	REF



ITEM	NUMBER	DESCRIPTION	REQD
1	7-320-01	WHEEL	1
2	7-286-01	VALVE STEM / AIR-CHLORIDE-FOAM	1
3	7-150-01	TIRE 13.00 x 24	1





ITEM	NUMBER	DESCRIPTION	REQD
1	7-172-02	GAGE / FUEL	REF
2	7-172-04	GAGE / ENGINE OIL PRESSURE	REF
3	7-172-10	GAGE / VOLTMETER	REF
4	7-172-08	GAGE / ENGINE WATER TEMP.	REF
5	7-172-11	GAGE / TRANSMISSION OIL PRESSURE	REF
6	7-172-06	GAGE / TRANSMISSION OIL TEMP.	REF
7	7-127-10	SWITCH / IGNITION / KEY	REF
8	7-268-01	FUSE HOLDER / MAIN / IGNITION	REF
9	7-319-02	SWITCH / HEADLIGHTS	REF
10	7-127-04	SWITCH / SWAY-ROTATE	REF
11	7-338-01	HEADLIGHT	REF
12	7-200-07	SWITCH / SQUARE SHOOT	REF
13	7-206-07	RELAY / SQUARE SHOOT	1
14	7-172-16	SENDER / TRANS OIL PRESSURE	1
15	7-172-07	SENDER / TRANS OIL TEMP.	1
16	7-126-96	SWITCH / NEUTRAL START	REF
17	7-303-01	PRESSURE SWITCH / REV.	1
18	7-268-01	FUSE HOLDER / OPTIONAL / ROTATE	REF
19	7-268-01	FUSE HOLDER / GAGES / SWAY	REF
20	7-172-05	SENDER / ENGINE OIL PRESSURE	1
21	7-172-09	SENDER / ENGINE WATER TEMP.	1
22	7-183-18	RELAY / STARTER	REF
23	7-117-03	FUSE / 20 AMP	REF
24	7-350-01	HOURMETER	1
25	7-251-01	BATTERY / 12 VOLT	1
26	7-136-02	LIGHT / BACK-UP	REF
27	7-136-03	LIGHT / TAIL-BRAKE	REF
28	7-213-01	BACK-UP ALARM	1
29	7-244-12	COIL / SQUARE SHOOT	REF
30	7-244-12	COIL / SWAY CONTROL	REF
31	7-206-03	PRESSURE SWITCH / BRAKE LIGHT	REF
32	7-369-01	HORN	1
33	7-206-04	RELAY / HORN	1
34	7-268-01	FUSE HOLDER / SQ.SHOOT / BRAKE	REF
35	4-1808	HARNESS / MAIN POWER / VALVE	1
36	4-1807	HARNESS / INSTRUMENT PANEL	1
37	3-1358	HARNESS / TRANSMISSION	1
38	4-1806	HARNESS / ENGINE	1
39	7-172-03	SENDER / FUEL	1
40	6-7801-180B	BATTERY CABLE / RED	1
41	6-7802-88B	BATTERY CABLE / BLACK	1
42	7-281-01	DIODE / PUMP DESTROKE	REF
43	6-5204-04	CAPSCREW 1/4 NC x 1/2 LG.	1
44	6-6211-04	LOCKWASHER 1/4	1
45	6-5206-04	CAPSCREW 3/8 NC x 1/2 LG.	2
46	6-6211-06	LOCKWASHER 3/8	2
47	7-268-01	FUSE HOLDER / HORN	REF
48	7-281-01	DIODE / ALTERNATOR	REF
49	7-319-03	PUSHBUTTON / PUMP DESTROKE	REF
50	2-1185	HARNESS / PUMP DESTROKE	1

DRAWING
NUMBER P4-1821

WIRING DIAGRAM
SS-842 SQUARE SHOOTER

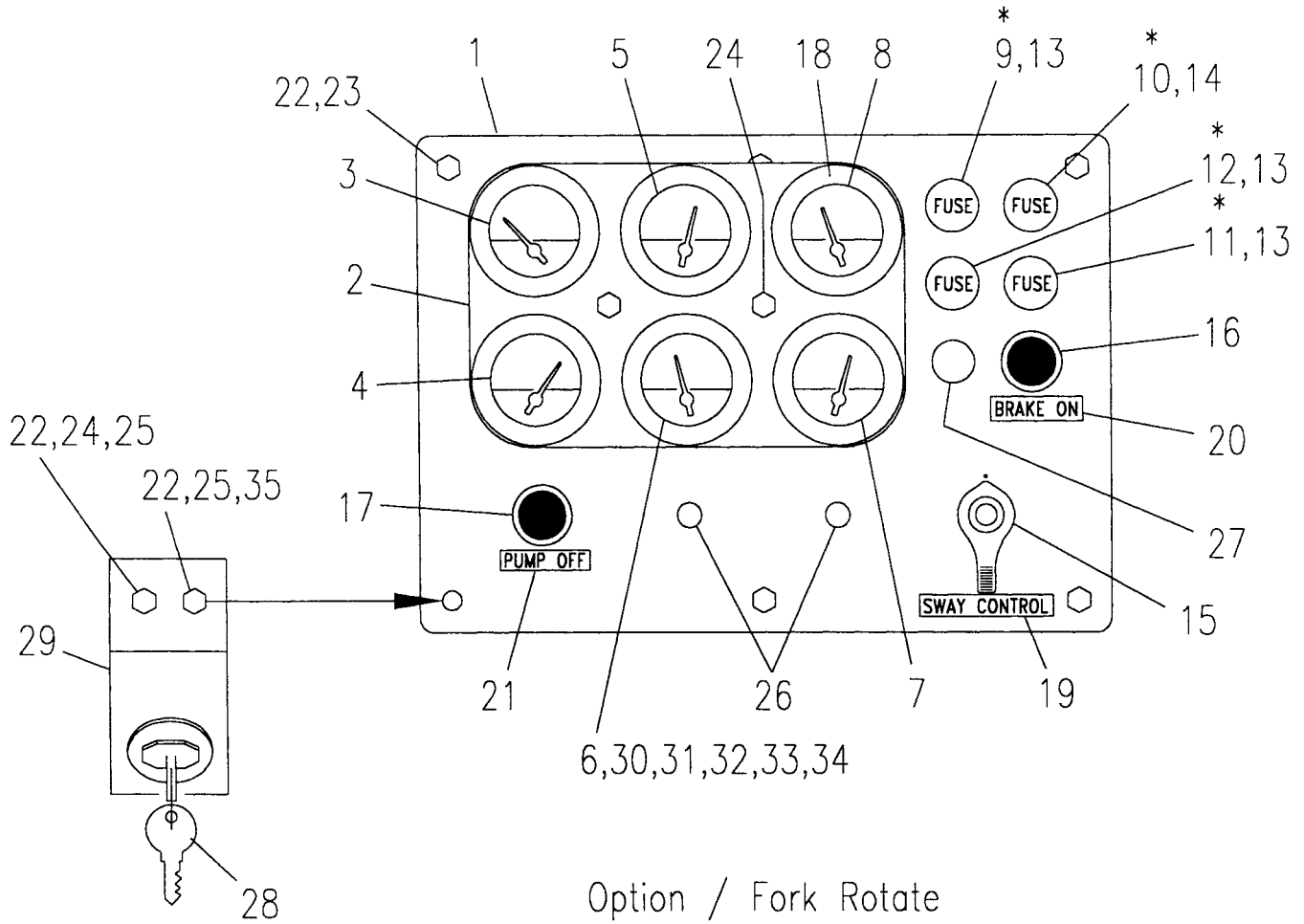
PAGE
NUMBER 25A

ITEM	NUMBER	DESCRIPTION	REQD
51	1-1198	HARNES / CONTROLLER RELIEF	1
52	7-244-50	VALVE / CONTROLLER RELIEF	REF
53	7-127-09	SWITCH / DIFF. LOCK	1
54	7-120-10	SWITCH / PARKING BRAKE	REF
55	7-127-05	LIGHT / WARNING	REF

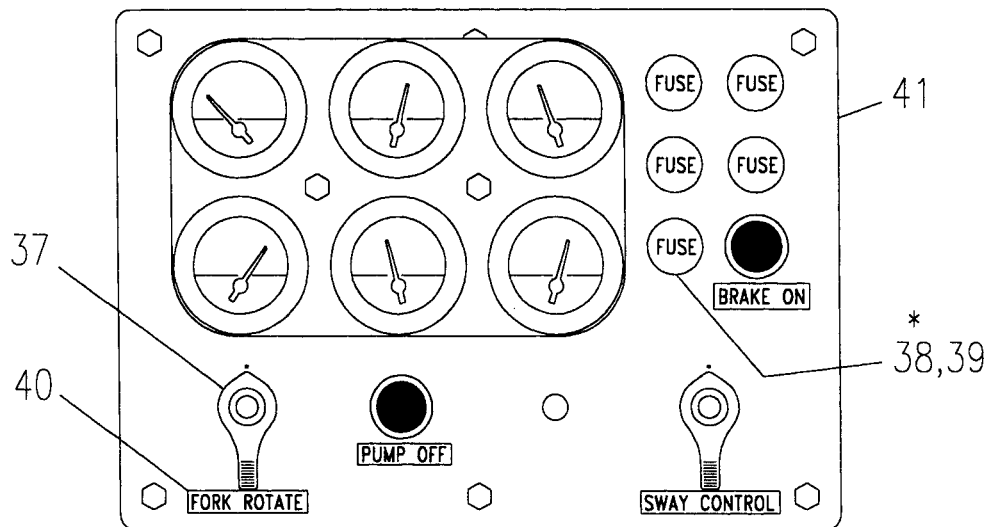
25B PAGE
NUMBER

WIRING DIAGRAM
SS-842 SQUARE SHOOTER

DRAWING
NUMBER P4-1821

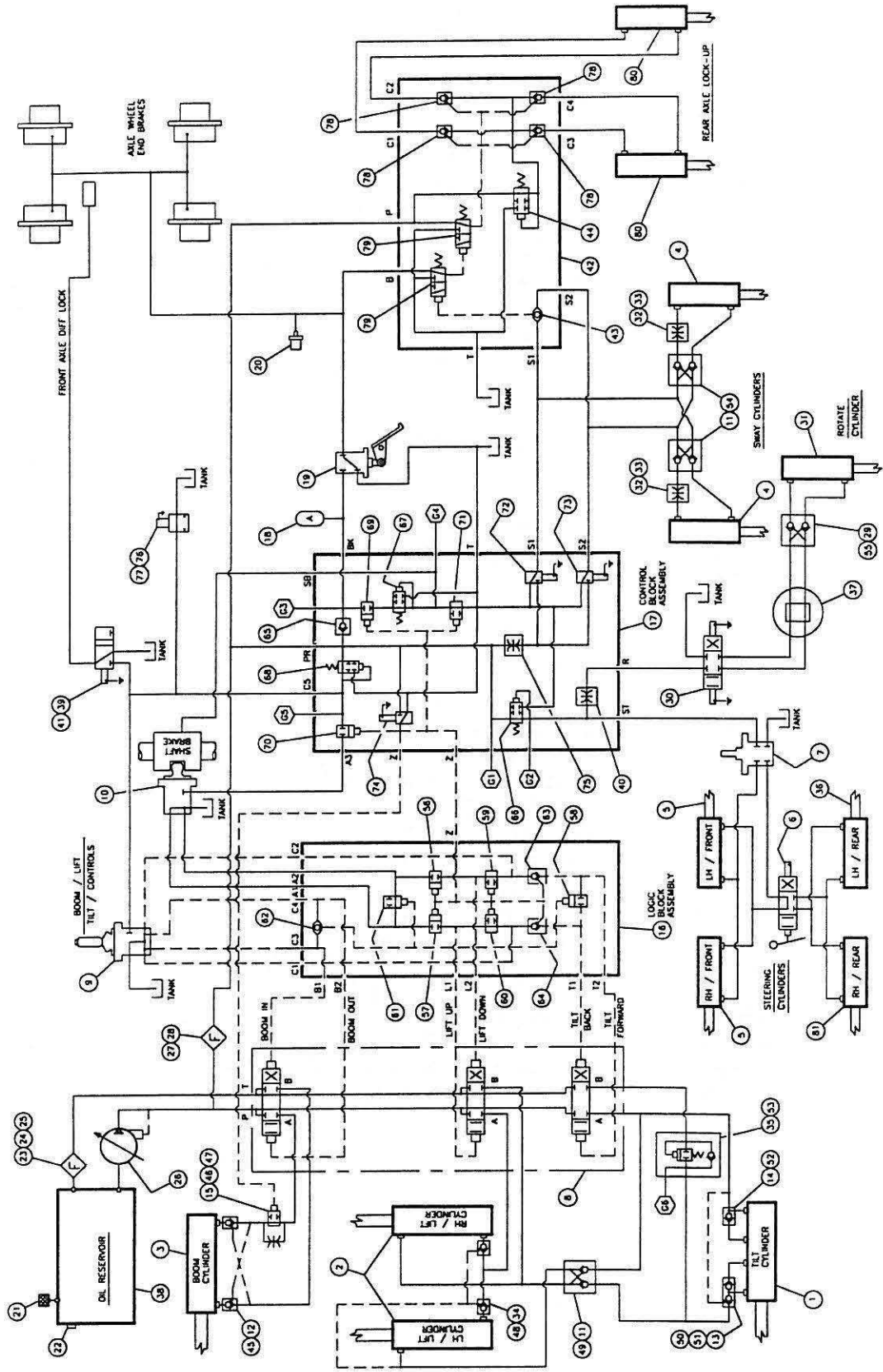


Option / Fork Rotate



*(36) FUSE HOLDER w/PLUG

ITEM	NUMBER	DESCRIPTION	REQD
1	3-1226	INSTRUMENT PANEL	1
2	2-1062	GAGE COVER	1
3	7-172-02	GAGE / FUEL	1
4	7-172-04	GAGE / ENGINE OIL PRESSURE	1
5	7-172-06	GAGE / TRANS. OIL TEMP.	1
6	7-172-08	GAGE / ENGINE WATER TEMP.	1
7	7-172-10	GAGE / VOLTMETER	1
8	7-172-11	GAGE / TRANS. OIL PRESSURE	1
9	7-268-01	HOLDER / JOYSTICK RELAY/BRK.LIGHT	1
10	7-268-01	HOLDER / MAIN POWER / IGNITION	1
11	7-268-01	HOLDER / HORN	1
12	7-268-01	HOLDER / GAGES / SWAY	1
13	7-117-01	FUSE / 15 AMP.	3
14	7-117-02	FUSE / 30 AMP.	1
15	7-127-04	SWITCH / SWAY CONTROL	1
16	7-127-05	LIGHT / WARNING	1
17	7-319-03	SWITCH / PUSHBUTTON	1
18	1-2006	SEAL RING / GAGE	6
19	3-1228-1	DECAL / SWAY CONTROL	1
20	3-1228-2	DECAL / BRAKE-ON	1
21	3-1228-3	DECAL / PUMP-OFF	1
22	6-6211-04	LOCKWASHER 1/4	7
23	6-5204-04	CAPSCREW 1/4 NC x 1/2 LG.	5
24	6-5204-06	CAPSCREW 1/4 NC x 3/4 LG.	3
25	6-6201-04	NUT 1/4 NC	2
26	7-194-13	PLUG BUTTON 3/8	2
27	7-194-29	PLUG BUTTON 5/8	1
28	7-127-10	SWITCH / IGNITION KEY	1
29	2-1147	MOUNT / KEY SWITCH	1
30	1-1088	MOUNT	1
31	7-269-60	PLASTIC CLAMP	1
32	6-6284-07	MACHINE SCREW #10-32 x 1/2 LG.	2
33	6-6286-06	HEX NUT #10-32	2
34	6-6286-02	HEX NUT #8-32 SS	2
35	6-5204-08	CAPSCREW 1/4 NC x 1 LG.	1
36	1-2031	FUSE HOLDER w/PLUG (UNIVERSAL)	REF
37	7-127-04	SWITCH / FORK ROTATE	REF
38	7-268-01	HOLDER / OPTION	REF
39	7-117-01	FUSE / 15 AMP	REF
40	3-1228-4	DECAL / FORK ROTATE	REF
41	3-1227-1	PANEL / OPTION-ROTATE	REF



27 PAGE NUMBER

HYDRAULIC SCHEMATIC
SS-842 SQUARE SHOOTER

DRAWING NUMBER P4-1712

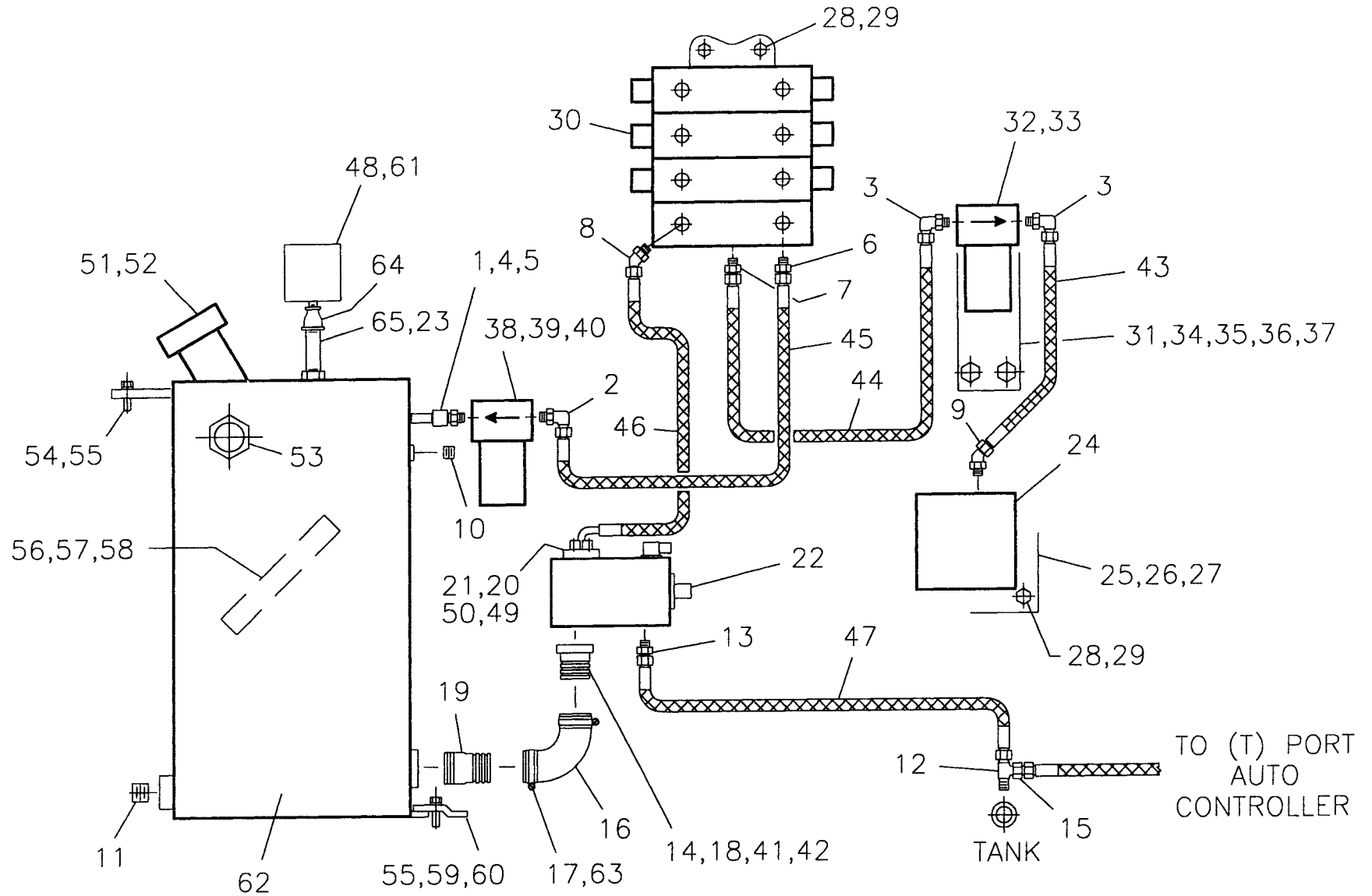
ITEM	NUMBER	DESCRIPTION	REQD
1	7-316-182	CYLINDER / TILT	REF
2	7-316-181	CYLINDER / LIFT	REF
3	7-316-183	CYLINDER / BOOM	REF
4	7-316-01	CYLINDER / SWAY	REF
5	7-229-337	CYLINDER / STEERING / LHF & RHF	REF
6	7-359-01	SELECTOR VALVE / STEERING	1
7	7-122-01	STEERING ORBITRAL	1
8	7-200-80	VALVE ASSEMBLY / 3 SECTION	1
9	7-200-139	CONTROLLER / 4-WAY	1
10	7-200-82	CONTROLLER / AUTO (1)	REF
11	7-234-04	VALVE / DUAL CHECK	3
12	7-234-03	VALVE / MOTION / BOOM	2
13	7-234-01	VALVE / MOTION / HEAD TILT	1
14	7-234-02	VALVE / MOTION / BASE TILT	1
15	7-234-09	VALVE / BOOM BY-PASS	1
16	7-234-07	LOGIC BLOCK ASSEMBLY	1
17	7-234-75	CONTROL BLOCK ASSEMBLY	1
18	7-256-25	ACCUMULATOR / BRAKE	1
19	7-198-39	ACTUATOR / BRAKE	1
20	7-206-03	PRESSURE SWITCH / BRAKE LIGHT	REF
21	7-253-01	BREATHER / 3 PSI / OIL RESERVOIR	REF
22	7-161-01	SIGHT GAGE / OIL RESERVOIR	REF
23	7-256-23	FILTER / RETURN	1
24	7-272-10	GAGE / RETURN FILTER	1
25	7-256-05	ELEMENT / RETURN FILTER	REF
26	7-345-01	PUMP ASSEMBLY	1
27	7-256-16	FILTER / PRESSURE	REF
28	7-256-04	ELEMENT / PRESSURE FILTER	REF
29	7-234-35	VALVE / DUAL CHECK	REF
30	7-244-31	VALVE / ELECTRIC 4-WAY / ROTATE	REF
31	7-316-05	CYLINDER / ROTATE / 3.00 BORE	REF
32	1-1092	RESTRICTOR FITTING	REF
33	1-1093-2	RESTRICTOR PLUG (.060)	REF
34	7-234-54	VALVE / MOTION / LIFT	2
35	7-234-50	VALVE / TILT LIMITER	1
36	7-229-341	CYLINDER / STEERING / LHR	REF
37	7-292-01	HOSE REEL / RH / ROTATE	REF
38	4-1602	OIL RESERVOIR	REF
39	7-244-52	VALVE / DIFF. LOCK	1
40	7-234-37	CARTRIDGE / NEEDLE	REF
41	7-244-33	SOLENOID VALVE ASSEMBLY	REF
42	7-234-76	BLOCK ASSEMBLY / REAR LOCK-UP	1
43	7-234-79	CARTRIDGE / SHUTTLE	REF
44	7-234-64	CARTRIDGE / REDUCING-RELIEVING	REF
45	7-234-22	CARTRIDGE / COUNTERBALANCE	REF
46	7-234-11	CARTRIDGE / NORMALLY OPEN	REF
47	7-234-17	CARTRIDGE / NEEDLE	REF
48	7-234-53	CARTRIDGE / COUNTERBALANCE	REF
49	7-234-18	CARTRIDGE / PILOT CHECK	REF
50	7-234-19	CARTRIDGE / COUNTERBALANCE	REF
51	7-234-16	CARTRIDGE / CHECK	REF
52	7-234-16	CARTRIDGE / CHECK	REF

DRAWING
NUMBER P4-1712

HYDRAULIC SCHEMATIC
SS-842 SQUARE SHOOTER

PAGE
NUMBER 27A

ITEM	NUMBER	DESCRIPTION	REQD
53	7-234-19	CARTRIDGE / COUNTERBALANCE	REF
54	7-234-18	CARTRIDGE / PILOT CHECK	REF
55	7-234-18	CARTRIDGE / PILOT CHECK	REF
56	7-234-10	CARTRIDGE / NORMALLY CLOSED	REF
57	7-234-10	CARTRIDGE / NORMALLY CLOSED	REF
58	7-234-10	CARTRIDGE / NORMALLY CLOSED	REF
59	7-234-11	CARTRIDGE / NORMALLY OPEN	REF
60	7-234-11	CARTRIDGE / NORMALLY OPEN	REF
61	7-234-11	CARTRIDGE / NORMALLY OPEN	REF
62	7-234-12	CARTRIDGE / SHUTTLE	REF
63	7-234-18	CARTRIDGE / PILOT CHECK	REF
64	7-234-18	CARTRIDGE / PILOT CHECK	REF
65	7-234-80	CARTRIDGE / CHECK	REF
66	7-234-15	CARTRIDGE / REDUCING	REF
67	7-234-28	CARTRIDGE / RED-RELIEVING	REF
68	7-234-13	CARTRIDGE / RED-RELIEVING	REF
69	7-234-10	CARTRIDGE / NORMALLY CLOSED	REF
70	7-234-10	CARTRIDGE / NORMALLY CLOSED	REF
71	7-234-11	CARTRIDGE / NORMALLY OPEN	REF
72	7-244-14	SOLENOID VALVE ASSEMBLY	REF
73	7-244-14	SOLENOID VALVE ASSEMBLY	REF
74	7-244-14	SOLENOID VALVE ASSEMBLY	REF
75	7-234-17	CARTRIDGE / NEEDLE	REF
76	7-367-01	VALVE / CONTROLLER RELIEF	1
77	7-244-08	CARTRIDGE / NORMALLY OPEN	REF
78	7-234-62	CARTRIDGE / PILOT CHECK	REF
79	7-304-05	CARTRIDGE / MODULAR CONTROL	REF
80	7-316-01	CYLINDER / REAR LOCK-UP	REF
81	7-229-340	CYLINDER / STEERING / RHR	REF



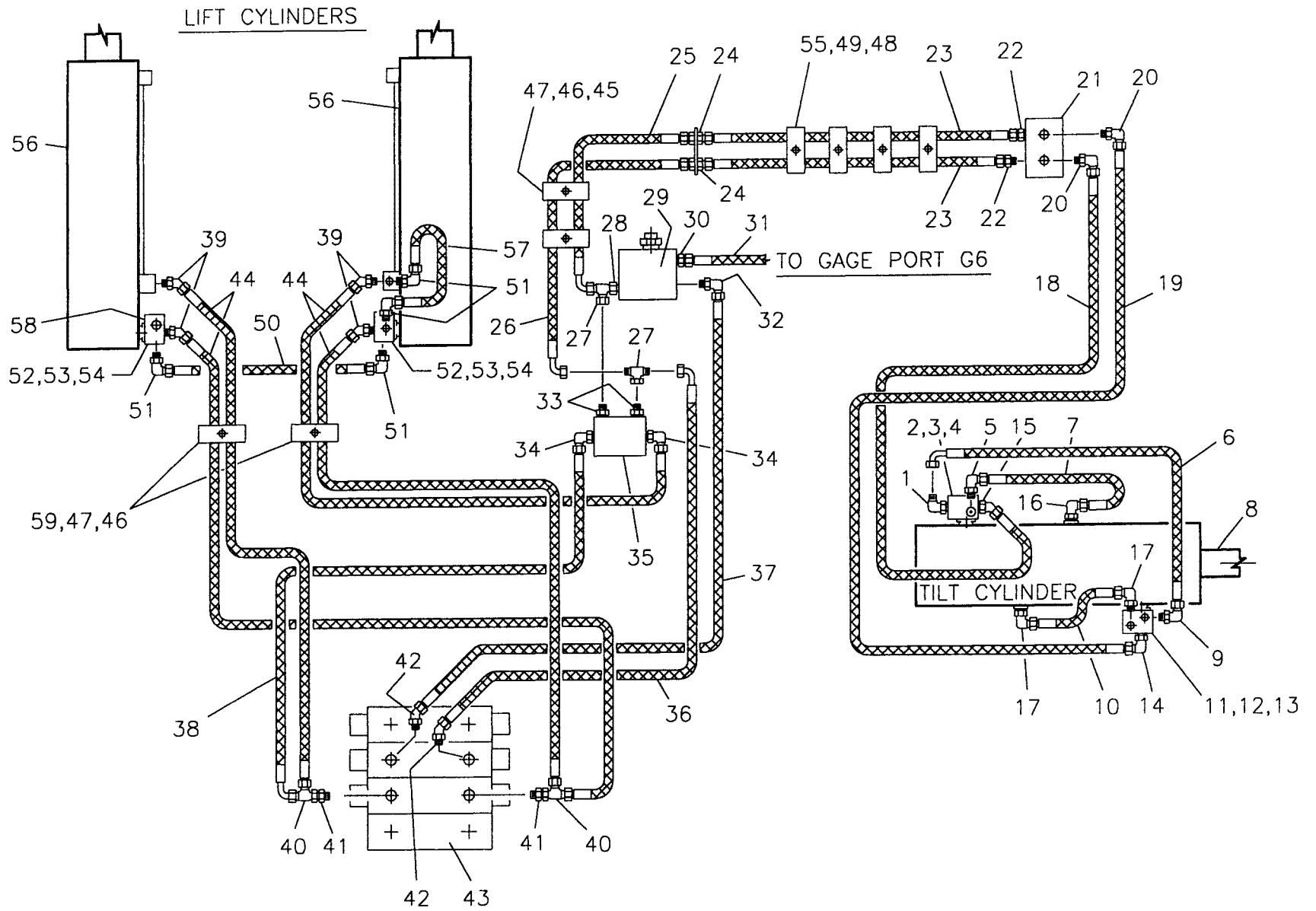
ITEM	NUMBER	DESCRIPTION	REQD
1	6-6436-01	FITTING / 20 NPT x 20 OR STR	1
2	6-6453-25	FITTING / 20 OR x 16 JIC 90	1
3	6-6453-24	FITTING / 16 OR x 10 JIC 90	2
4	6-6402-14	FITTING / 20 NPT COUPLING	1
5	6-6416-16	FITTING / 20 NPT x 8 LG. NIPPLE	1
6	6-6450-27	FITTING / 16 OR x 16 JIC STR	1
7	6-6450-14	FITTING / 12 OR x 08 JIC STR	1
8	6-6452-08	FITTING / 12 OR x 12 JIC 45	1
9	6-6452-04	FITTING / 08 OR x 08 JIC 45	1
10	6-6408-06	FITTING / 12 NPT FLUSH PLUG	1
11	6-6408-07	FITTING / 16 NPT FLUSH PLUG	1
12	6-6432-15	FITTING / 08 NPT x 08 JIC RN-TEE	1
13	6-6450-16	FITTING / 10 OR x 10 JIC STR	1
14	4-1421-1	FITTING / SUCTION	1
15	6-6495-01	FITTING / 08 x 04 JIC RED.- EXP.	REF
16	2-1121	SUCTION ELBOW / 2 1/4 ID x 90	1
17	7-272-06	T-HOSE CLAMP	2
18	7-209-66	O-RING / SUCTION FITTING	1
19	4-1421-7	TANK NIPPLE / 2 NPT x 5 3/8 LG.	1
20	7-158-36	SPLIT FLANGE HALF	2
21	7-209-67	O-RING / PRESSURE SIDE	1
22	7-345-01	PUMP ASSEMBLY	REF
23	7-334-01	BAFFLE / OIL	1
24	7-234-75	CONTROL BLOCK ASSEMBLY	REF
25	3-1082-2	MOUNT / CONTROL BLOCK	1
26	6-5205-06	CAPSCREW 5/16 NC x 3/4 LG.	4
27	6-6211-05	LOCKWASHER 5/16	4
28	6-5206-06	CAPSCREW 3/8 NC x 3/4 LG.	7
29	6-6211-06	LOCKWASHER 3/8	7
30	7-200-80	VALVE ASSEMBLY / 3 SECTION	REF
31	3-1208	MOUNT / PRESSURE FILTER	1
32	7-256-16	PRESSURE FILTER	1
33	7-256-04	ELEMENT / PRESSURE FILTER	REF
34	6-5206-08	CAPSCREW 3/8 NC x 1 LG.	3
35	6-6211-06	LOCKWASHER 3/8	5
36	6-5206-12	CAPSCREW 3/8 NC x 1 1/2 LG.	2
37	6-6201-06	HEX NUT 3/8 NC	2
38	7-256-23	FILTER / RETURN	REF
39	7-272-10	GAGE / RETURN FILTER	REF
40	7-256-05	ELEMENT / RETURN FILTER	REF
41	6-5208-16	CAPSCREW 1/2 NC x 2 LG.	4
42	6-6211-08	LOCKWASHER 1/2	4
43	6-7014-60	HOSE / 08 x 10 x 30 LG.	1
44	6-7014-88	HOSE / 08 x 10 x 44 LG.	1
45	6-7148-56	HOSE / 16 x 16 x 28 LG.	1
46	6-7156-70	HOSE / 12 x 16-90 SF x 35 LG.	1
47	6-7014-88	HOSE / 08 x 10 x 44 LG.	1
48	7-253-01	BREATHER / RESERVOIR / 3 PSI	1
49	6-5206-10	CAPSCREW 3/8 NC x 1 1/4 LG.	4
50	6-6211-06	LOCKWASHER 3/8	4
51	7-265-01	CAP / RESERVOIR	1
52	7-265-03	STRAINER / RESERVOIR CAP	1

DRAWING
NUMBER P4-1714

CIRCUIT / PUMP / OIL RESERVOIR
SS-842 SQUARE SHOOTER

PAGE
NUMBER 28A

ITEM	NUMBER	DESCRIPTION	REQD
53	7-161-01	SIGHT GAGE	1
54	6-5206-08	CAPSCREW 3/8 NC x 1 LG.	2
55	6-6211-06	LOCKWASHER 3/8	4
56	7-273-20	COVER PLATE 1/4 SINGLE HOSE (5)	REF
57	7-273-18	CLAMP HALF SET (5)	REF
58	6-5204-12	CAPSCREW 1/4 NC x 1 1/2 LG. (10)	REF
59	1-2016	CLAMP / RESERVOIR	2
60	6-5206-12	CAPSCREW 3/8 NC x 1 1/2 LG.	2
61	7-253-03	ELEMENT / BREATHER	REF
62	4-1602	OIL RESERVOIR	1
63	6-9616-10	HOSE PROTECTOR	2
64	7-291-05	FITTING / NPT COUPLING 1 x 1/2	1
65	2-1157	BREATHER PIPE	1



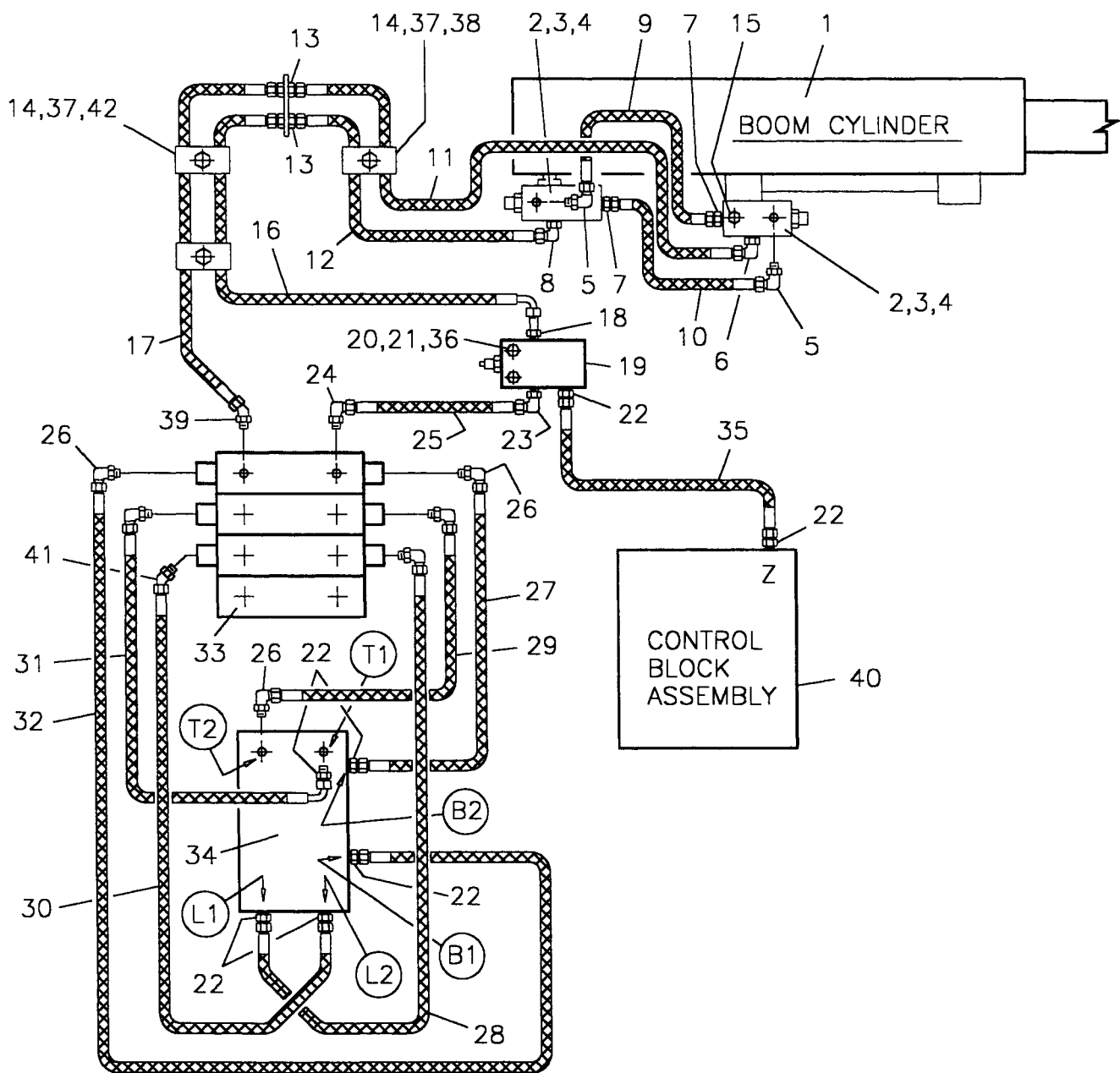
ITEM	NUMBER	DESCRIPTION	REQD
1	6-6453-04	FITTING / 06 OR x 04 JIC 90	1
2	7-234-02	VALVE / MOTION / BASE TILT	REF
3	6-5606-14	CAPSCREW SH 3/8 NC x 1 3/4 LG.	4
4	6-6214-06	LOCKWASHER 3/8 HI-COLLAR	4
5	6-6453-04	FITTING / 06 OR x 04 JIC 90	1
6	6-7022-60	HOSE / 04 x 04-90 x 30 LG.	1
7	6-7002-26	HOSE / 04 x 04 x 13 LG.	1
8	7-316-182	CYLINDER / TILT	REF
9	6-6453-04	FITTING / 06 OR x 04 JIC 90	1
10	6-7003-40	HOSE / 06 x 06 x 20 LG.	1
11	7-234-01	VALVE / MOTION / HEAD TILT	REF
12	6-5606-22	CAPSCREW SH 3/8 NC x 2 3/4 LG.	4
13	6-6214-06	LOCKWASHER 3/8 HI-COLLAR	4
14	6-6453-09	FITTING / 08 OR x 08 JIC 90	1
15	6-6452-04	FITTING / 08 OR x 08 JIC 45	1
16	6-6453-04	FITTING / 06 OR x 04 JIC 90	1
17	6-6453-06	FITTING / 06 OR x 06 JIC 90	2
18	6-7004-730	HOSE / 08 x 08 x 365 LG.	1
19	6-7004-730	HOSE / 08 x 08 x 365 LG.	1
20	6-6453-09	FITTING / 08 OR x 08 JIC 90	2
21	3-1244-1	MANIFOLD BLOCK	REF
22	6-6450-12	FITTING / 08 OR x 08 JIC STR	2
23	6-7014-294	HOSE / 08 x 10 x 147 LG.	2
24	6-6475-07	FITTING / 10 JIC BH-UNION STR	2
25	6-7025-136	HOSE / 10 x 10-90 x 68 LG.	1
26	6-7025-136	HOSE / 10 x 10-90 x 68 LG.	1
27	6-6480-07	FITTING / 10 JIC SW-BR-TEE	2
28	6-6485-03	FITTING / 10 OR x 10 JIC SW	1
29	7-234-50	VALVE / TILT LIMITER	REF
30	6-6450-05	FITTING / 06 OR x 04 JIC STR	REF
31	6-7022-28	HOSE / 04 x 04-90 x 14 LG.	REF
32	6-6453-12	FITTING / 10 OR x 10 JIC 90	1
33	6-6450-15	FITTING / 08 OR x 10 JIC STR	2
34	6-6453-11	FITTING / 08 OR x 10 JIC 90	2
35	7-234-04	VALVE / DUAL CHECK	REF
36	6-7025-32	HOSE / 10 x 10-90 x 16 LG.	1
37	6-7005-32	HOSE / 10 x 10 x 16 LG.	1
38	6-7025-36	HOSE / 10 x 10-90 x 18 LG.	1
39	6-6452-06	FITTING / 10 OR x 10 JIC 45	4
40	6-6481-07	FITTING / 10 JIC SW-RUN-TEE	2
41	6-6450-17	FITTING / 12 OR x 10 JIC STR	2
42	6-6452-17	FITTING / 12 OR x 10 JIC 45	2
43	7-200-80	VALVE ASSEMBLY / 3 SECTION	REF
44	6-7005-148	HOSE / 10 x 10 x 74 LG.	4
45	6-5205-30	CAPSCREW 5/16 NC x 3 3/4 LG.	REF
46	7-273-26	COVER PLATE / 5/8 HOSE CLAMP	2
47	7-273-32	CLAMP HALF SET / 5/8 TWIN HOSE	3
48	6-5205-14	CAPSCREW 5/16 NC x 1 3/4 LG.	4
49	7-273-26	COVER PLATE / 1/2 HOSE CLAMP	4
50	6-7002-100	HOSE / 04 x 04 x 50 LG.	1
51	6-6453-04	FITTING / 06 OR x 04 JIC 90	4
52	7-234-54	VALVE / MOTION / LIFT	REF

ITEM	NUMBER	DESCRIPTION	REQD
53	6-5606-22	CAPSCREW SH 3/8 NC x 2 3/4 LG.	8
54	6-6214-06	LOCKWASHER 3/8 HI-COLLAR	8
55	7-273-25	CLAMP HALF SET / 1/2 TWIN HOSE	4
56	7-316-181	CYLINDER / LIFT	REF
57	6-7002-17	HOSE / 04 x 04 x 8.5 LG.	1
58	6-6457-05	FITTING / 06 OR HEX HEAD PLUG	4
59	6-5205-16	CAPSCREW 5/16 NC x 2 LG.	2

DRAWING
NUMBER P4-1542

CIRCUIT / LIFT-TILT
SS-842 SQUARE SHOOTER

PAGE
NUMBER 29B

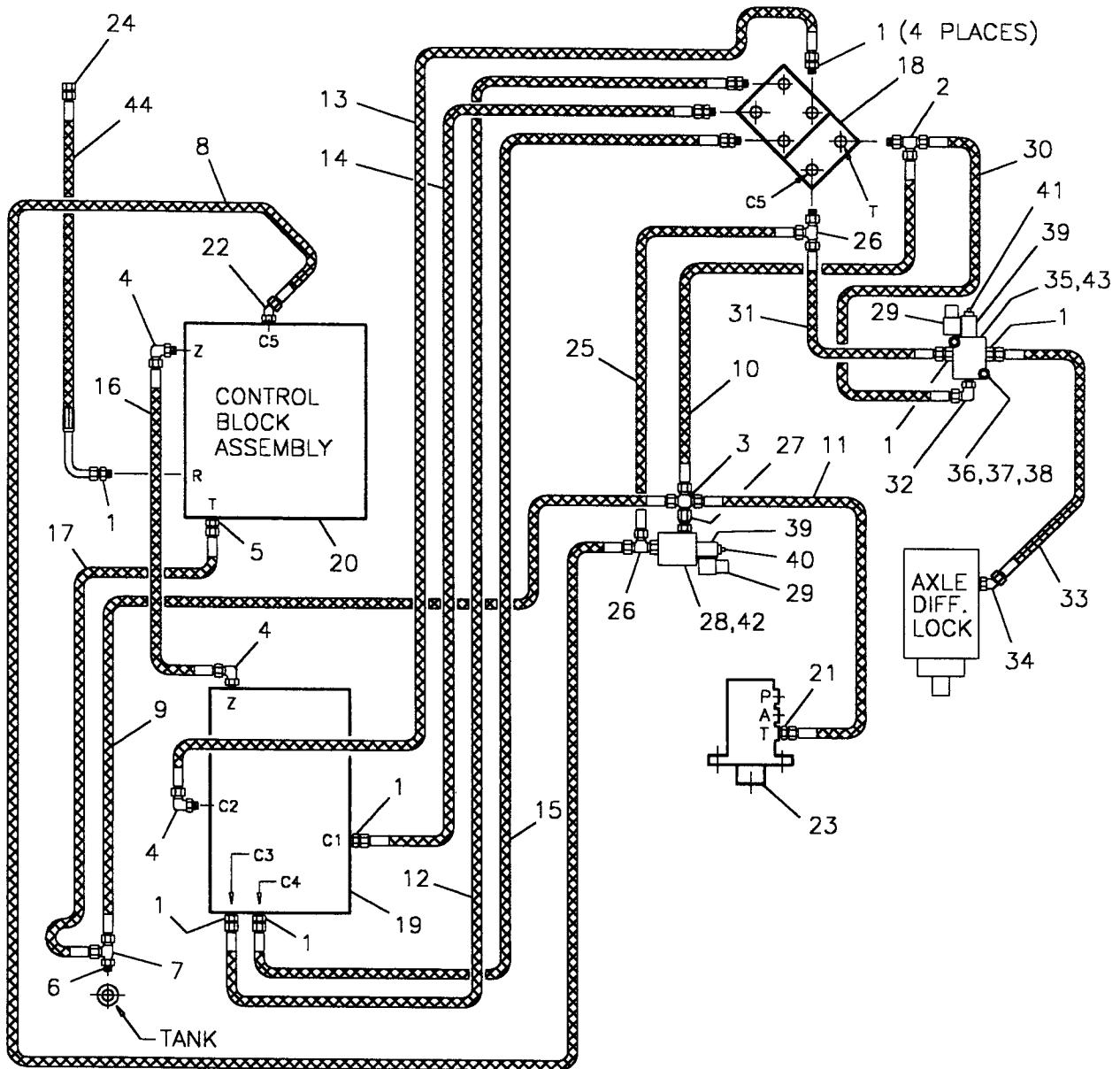


ITEM	NUMBER	DESCRIPTION	REQD
1	7-316-183	CYLINDER / BOOM	REF
2	7-234-03	VALVE / MOTION / BOOM	REF
3	6-5606-22	CAPSCREW SH 3/8 NC x 2 3/4 LG.	8
4	6-6214-06	LOCKWASHER 3/8 HI-COLLAR	8
5	6-6453-04	FITTING / 06 OR x 04 JIC 90	2
6	6-6453-12	FITTING / 10 OR x 10 JIC 90	1
7	6-6450-05	FITTING / 06 OR x 04 JIC STR	2
8	6-6453-12	FITTING / 10 OR x 10 JIC 90	1
9	6-7002-26	HOSE / 04 x 04 x 13 LG.	1
10	6-7002-26	HOSE / 04 x 04 x 13 LG.	1
11	6-7005-126	HOSE / 10 x 10 x 63 LG.	1
12	6-7005-96	HOSE / 10 x 10 x 48 LG.	1
13	6-6475-07	FITTING / 10 JIC BH UNION	2
14	7-273-32	CLAMP HALF SET / 5/8 TWIN HOSE	3
15	6-6457-05	FITTING / 06 OR HEX HD PLUG	2
16	6-7025-120	HOSE / 10 x 10-90 x 60 LG.	1
17	6-7005-154	HOSE / 10 x 10 x 77 LG.	1
18	6-6451-07	FITTING / 10 OR x 10 JIC LONG STR	1
19	7-234-09	VALVE / BOOM BY-PASS	REF
20	6-5204-14	CAPSCREW 1/4 NC x 1 3/4 LG.	2
21	6-6211-04	LOCKWASHER 1/4	2
22	6-6450-05	FITTING / 06 OR x 04 JIC STR	7
23	6-6453-12	FITTING / 10 OR X 10 JIC 90	1
24	6-6453-13	FITTING / 12 OR x 10 JIC 90	1
25	6-7005-23	HOSE / 10 x 10 x 11 1/2 LG.	1
26	6-6453-04	FITTING / 06 OR x 04 JIC 90	6
27	6-7002-62	HOSE / 04 x 04 x 31 LG.	1
28	6-7002-42	HOSE / 04 x 04 x 21 LG.	1
29	6-7002-17	HOSE / 04 x 04 x 8 1/2 LG.	1
30	6-7002-42	HOSE / 04 x 04 x 21 LG.	1
31	6-7022-44	HOSE / 04 x 04-90 x 22 LG.	1
32	6-7002-76	HOSE / 04 x 04 x 38	1
33	7-200-80	VALVE / 3 SECTION	REF
34	7-234-07	LOGIC BLOCK	REF
35	6-7002-42	HOSE / 04 x 04 x 21 LG.	1
36	6-6212-04	FLATWASHER 1/4	2
37	7-273-26	COVER PLATE / 5/8 HOSE CLAMP	3
38	6-5205-16	CAPSCREW 5/16 NC x 2 LG.	1
39	6-6452-17	FITTING / 12 OR x 10 JIC 45	1
40	7-234-75	CONTROL BLOCK	REF
41	6-6452-19	FITTING / 06 OR x 04 JIC 45	1
42	6-5205-30	CAPSCREW 5/16 NC x 3 3/4 LG.	2

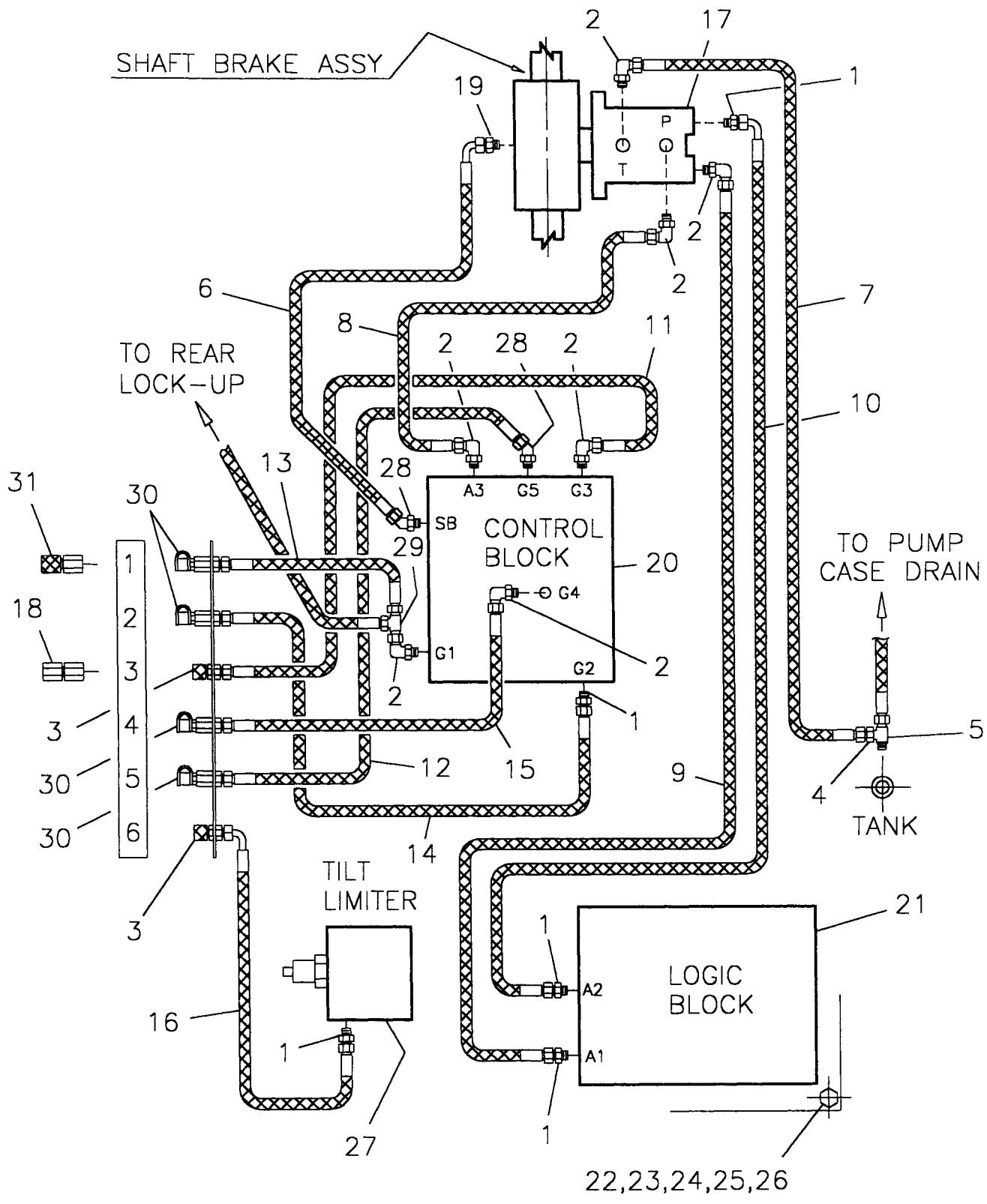
DRAWING
NUMBER P4-1543

CIRCUIT / BOOM
SS-842 SQUARE SHOOTER

PAGE
NUMBER 30A

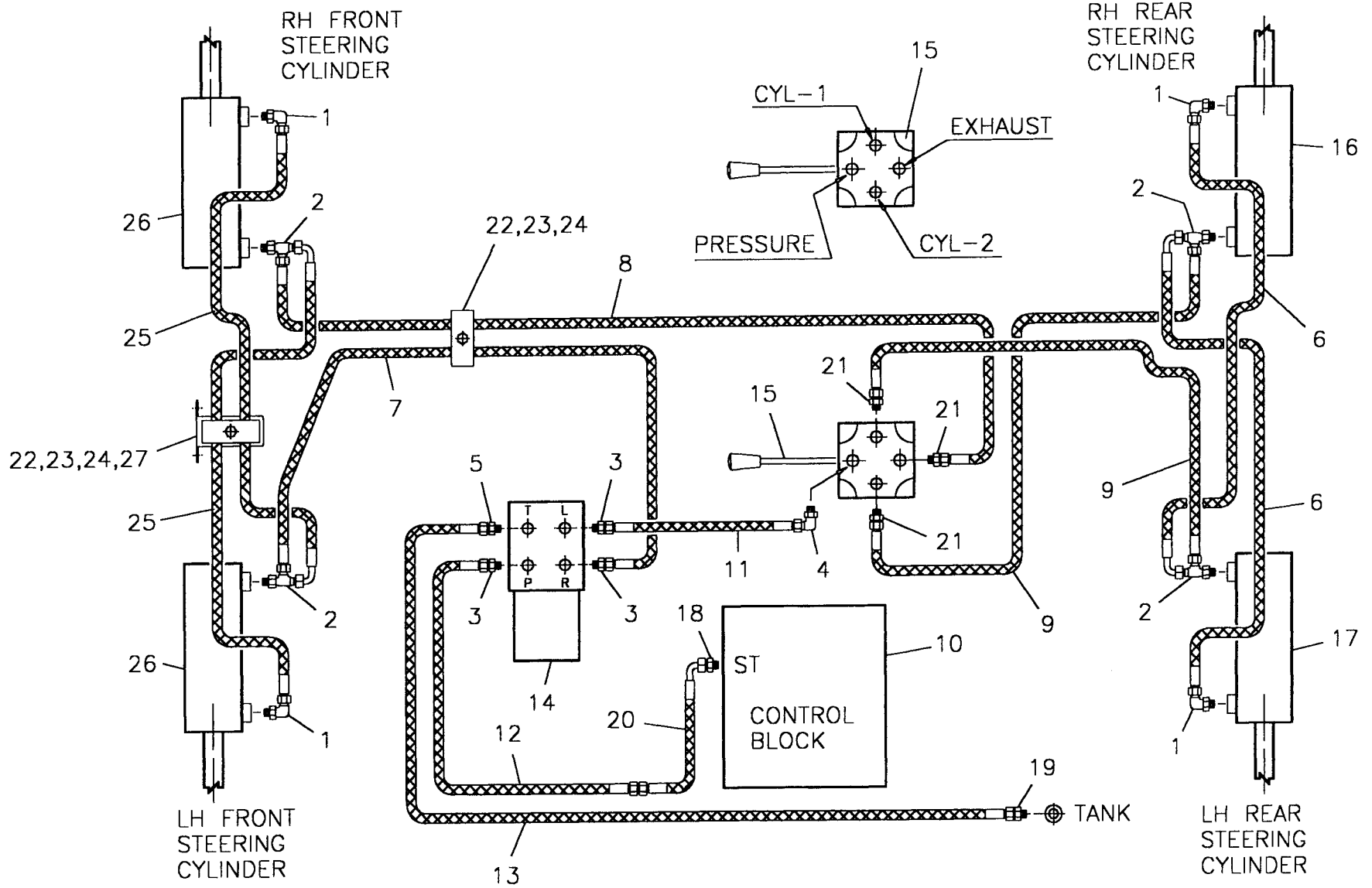


ITEM	NUMBER	DESCRIPTION	REQD
1	6-6450-05	FITTING / 06 OR x 04 JIC STR	10
2	6-6455-05	FITTING / 06 OR x 06 JIC RN-TEE	1
3	6-6483-05	FITTING / 06 JIC CROSS	1
4	6-6453-04	FITTING / 06 OR x 04 JIC 90	3
5	6-6450-08	FITTING / 06 OR x 06 JIC STR	1
6	6-6406-04	FITTING / 08-06 NPT REDUCER	1
7	6-6432-14	FITTING / 06 NPT x 06 JIC M-R-TEE	1
8	6-7002-276	HOSE / 04 x 04 x 138 LG.	1
9	6-7003-222	HOSE / 06 x 06 x 111 LG.	1
10	6-7003-56	HOSE / 06 x 06 x 28 LG.	1
11	6-7003-136	HOSE / 06 x 06 x 68 LG.	1
12	6-7002-276	HOSE / 04 x 04 x 138 LG.	1
13	6-7002-276	HOSE / 04 x 04 x 138 LG.	1
14	6-7002-276	HOSE / 04 x 04 x 138 LG.	1
15	6-7002-276	HOSE / 04 x 04 x 138 LG.	1
16	6-7002-38	HOSE / 04 x 04 x 19 LG.	1
17	6-7003-56	HOSE / 06 x 06 x 28 LG.	1
18	7-200-139	CONTROLLER / 4-WAY	REF
19	7-234-07	LOGIC BLOCK	REF
20	7-234-75	CONTROL BLOCK	REF
21	6-6450-09	FITTING / 08 OR x 06 JIC STR	1
22	6-6452-19	FITTING / 06 OR x 04 JIC 45	1
23	7-198-39	ACTUATOR / BRAKE	REF
24	6-6484-03	FITTING / 04 JIC PLUG	1
25	6-7002-74	HOSE / 04 x 04 x 37 LG.	1
26	6-6455-15	FITTING / 06 OR x 04 JIC RN-TEE	2
27	6-6485-06	FITTING / 06 OR x 06 JIC SW	1
28	7-367-01	VALVE ASSY / CONTROLLER RELIEF	REF
29	7-244-27	DIN CONNECTOR	2
30	6-7003-26	HOSE / 06 x 06 x 13 LG.	1
31	6-7002-34	HOSE / 04 x 04 x 17 LG.	1
32	6-6453-06	FITTING / 06 OR x 06 JIC 90	1
33	6-7002-130	HOSE / 04 x 04 x 65 LG.	1
34	6-6452-01	FITTING / 04 OR x 04 JIC 45	1
35	7-244-52	VALVE ASSY / DIFF. LOCK	REF
36	6-5204-14	CAPSCREW 1/4 NC x 1 3/4 LG.	2
37	6-6212-04	FLATWASHER 1/4	2
38	6-6211-04	LOCKWASHER 1/4	2
39	7-244-43	COIL / DIN	REF
40	7-244-08	CARTRIDGE / NORMALLY OPEN	REF
41	7-244-03	CARTRIDGE / ELECTRIC	REF
42	7-244-54	VALVE BODY / CONTROLLER RELIEF	REF
43	7-244-53	VALVE BODY / DIFF. LOCK	REF
44	6-7022-62	HOSE / 04 x 04-90 x 31 LG.	1

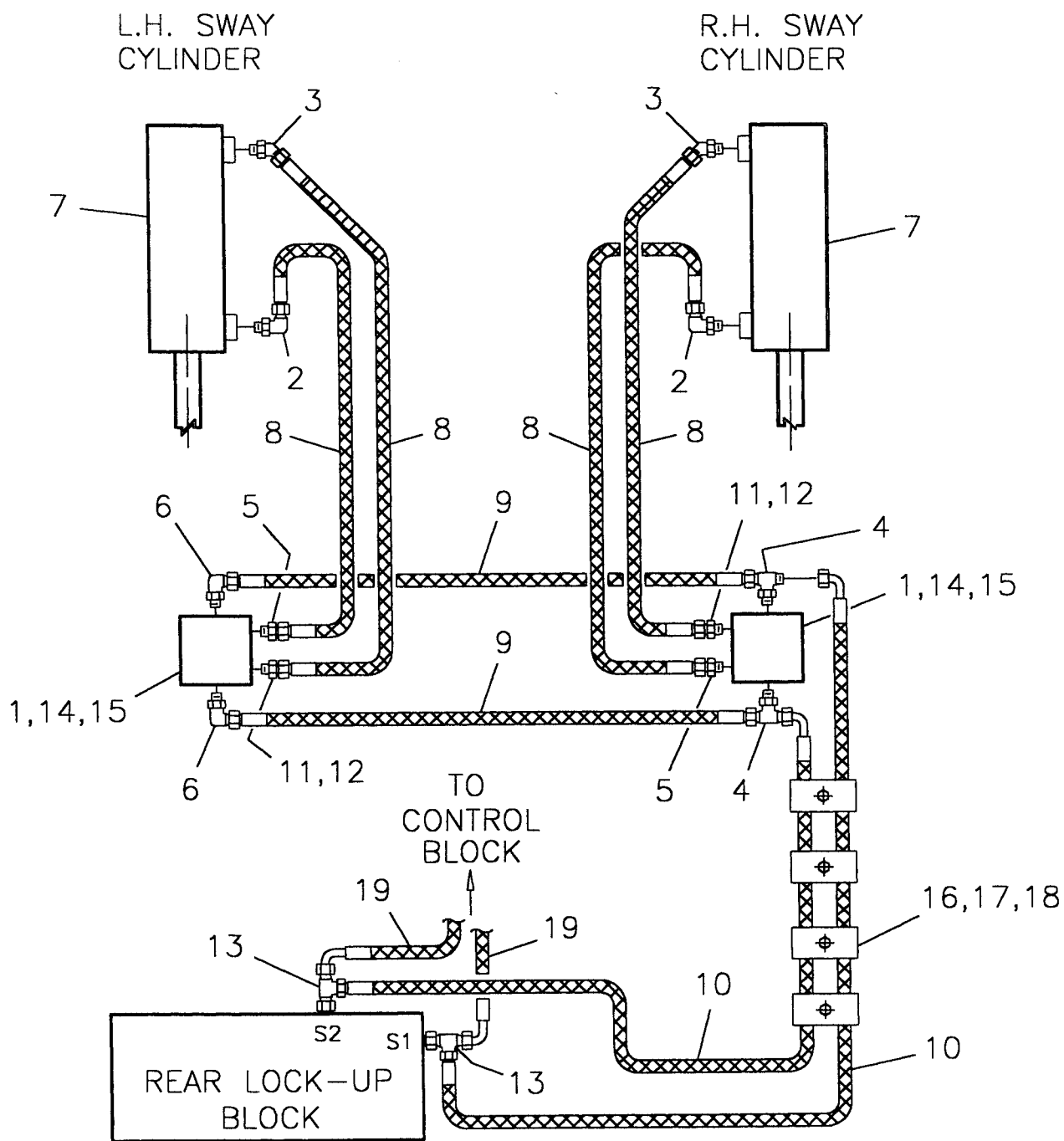


32 PAGE NUMBER	CIRCUIT / AUTO-CONTROLLER SS-842 SQUARE SHOOTER	DRAWING NUMBER P4-1545
----------------	--	---------------------------

ITEM	NUMBER	DESCRIPTION	REQD
1	6-6450-05	FITTING / 06 OR x 04 JIC STR (2)	3
2	6-6453-04	FITTING / 06 OR x 04 JIC 90 (3)	4
3	7-302-01	MALE PRESSURE CHECK	2
4	6-6495-01	FITTING / 08 x 04 JIC RED.EXP.	1
5	6-6432-15	FITTING / 08 NPT x 08 JIC RN-TEE	REF
6	6-7022-144	HOSE / 04 x 04-90 x 72 LG. (1)	REF
7	6-7002-130	HOSE / 04 x 04 x 65 LG. (1)	REF
8	6-7002-130	HOSE / 04 x 04 x 65 LG. (1)	REF
9	6-7002-130	HOSE / 04 x 04 x 65 LG. (1)	REF
10	6-7022-144	HOSE / 04 x 04-90 x 72 LG. (1)	REF
11	6-7002-62	HOSE / 04 x 04 x 31 LG.	1
12	6-7002-62	HOSE / 04 x 04 x 31 LG.	1
13	6-7002-38	HOSE / 04 x 04 x 19 LG.	REF
14	6-7002-42	HOSE / 04 x 04 x 21 LG.	1
15	6-7002-38	HOSE / 04 x 04 x 19 LG.	1
16	6-7022-28	HOSE / 04 x 04-90 x 14 LG.	1
17	7-200-82	CONTROLLER / AUTO	REF
18	7-302-02	FEMALE PRESSURE CHECK	1
19	6-6450-03	FITTING / 04 OR x 04 JIC STR (1)	REF
20	7-234-75	CONTROL BLOCK	REF
21	7-234-07	LOGIC BLOCK	REF
22	3-1225	MOUNT / LOGIC BLOCK	1
23	6-5205-06	CAPSCREW 5/16 NC x 3/4 LG.	3
24	6-6211-05	LOCKWASHER 5/16	3
25	6-5206-06	CAPSCREW 3/8 NC x 3/4 LG.	4
26	6-6211-06	LOCKWASHER 3/8	4
27	7-234-50	VALVE / TILT LIMITER	REF
28	6-6452-19	FITTING / 06 OR x 04 JIC 45	2
29	6-6481-03	FITTING / 04 JIC SW-RN-TEE	REF
30	7-256-27	MALE PRESSURE CHECK	4
31	7-256-28	FEMALE PRESSURE CHECK	1



ITEM	NUMBER	DESCRIPTION	REQD
1	6-6453-06	FITTING / 06 OR x 06 JIC 90	4
2	6-6455-05	FITTING / 06 OR x 06 JIC RN-TEE	4
3	6-6450-12	FITTING / 08 OR x 08 JIC STR	3
4	6-6453-09	FITTING / 08 OR x 08 JIC 90	1
5	6-6450-15	FITTING / 08 OR x 10 JIC STR	1
6	6-7023-62	HOSE / 06 x 06-90 x 31 LG.	2
7	6-7013-194	HOSE / 06 x 08 x 97 LG.	1
8	6-7003-222	HOSE / 06 x 06 x 111 LG.	1
9	6-7003-172	HOSE / 06 x 06 x 86 LG.	2
10	7-234-75	CONTROL BLOCK	REF
11	6-7004-124	HOSE / 08 x 08 x 62 LG.	1
12	6-7004-328	HOSE / 08 x 08 x 164 LG.	1
13	6-7005-324	HOSE / 10 x 10 x 162 LG.	1
14	7-122-01	STEERING ORBITRAL	REF
15	7-359-01	SELECTOR VALVE / STEERING	REF
16	7-229-341	CYLINDER / STEERING / LHR	REF
17	7-229-340	CYLINDER / STEERING / RHR	REF
18	6-6450-12	FITTING / 08 OR x 08 JIC STR	1
19	6-6425-18	FITTING / 12 NPT x 10 JIC STR	1
20	6-7124-34	HOSE / 08 MALE x 08-90 x 17 LG.	1
21	6-6450-09	FITTING / 08 OR x 06 JIC STR	3
22	7-273-27	CLAMP HALF SET / 3/8 TWIN HOSE	2
23	7-273-23	TOP PLATE / 3/8 HOSE CLAMP	2
24	6-5205-10	CAPSCREW 5/16 NC x 1 1/4 LG.	2
25	6-7023-70	HOSE / 06 x 06-90 x 35 LG.	2
26	7-229-337	CYLINDER / STEERING / LHF-RHF	REF
27	2-1142	HOSE SUPPORT	1



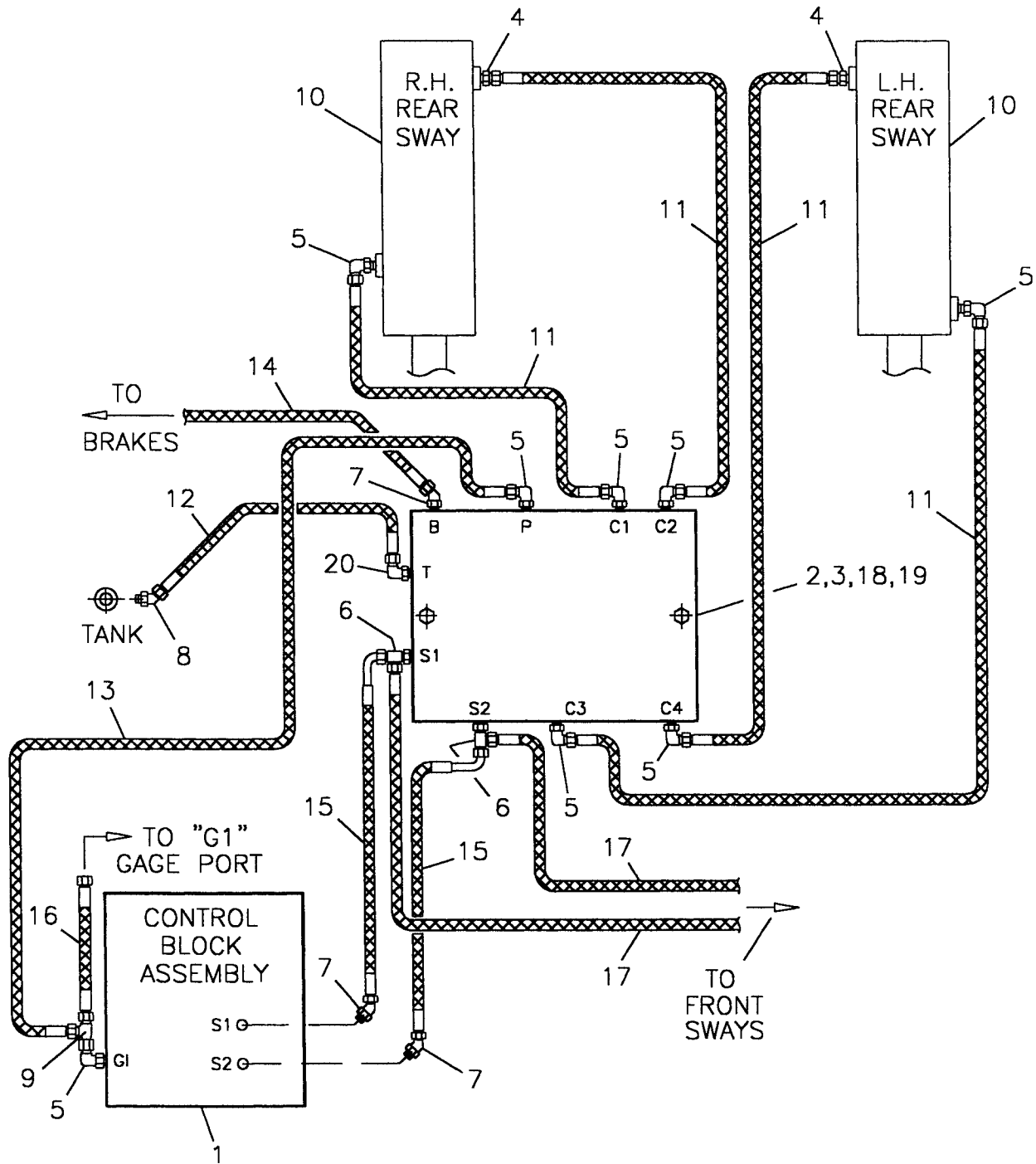
34	PAGE NUMBER	CIRCUIT / SWAY SS-842 SQUARE SHOOTER	DRAWING NUMBER	P4-1547
----	-------------	---	----------------	---------

ITEM	NUMBER	DESCRIPTION	REQD
1	7-234-04	VALVE / DUAL CHECK	REF
2	6-6453-04	FITTING / 06 OR x 04 JIC 90	2
3	6-6452-19	FITTING / 06 OR x 04 JIC 45	2
4	6-6454-06	FITTING / 08 OR x 08 JIC BR-TEE	2
5	6-6450-06	FITTING / 08 OR x 04 JIC STR	2
6	6-6453-09	FITTING / 08 OR x 08 JIC 90	2
7	7-316-01	CYLINDER / SWAY	REF
8	6-7002-74	HOSE / 04 x 04 x 37 LG.	4
9	6-7004-44	HOSE / 08 x 08 x 22 LG.	2
10	6-7033-320	HOSE / 06 x 08-90 x 160 LG.	2
11	1-1092	RESTRICTOR FITTING	2
12	1-1093-2	RESTRICTOR PLUG (.060)	2
13	6-6455-05	FITTING / 06 OR x 06 JIC RN-TEE	REF
14	6-6211-05	LOCKWASHER 5/16	4
15	6-5205-14	CAPSCREW 5/16 NC x 1 3/4 LG.	4
16	7-273-27	CLAMP HALF SET / 3/8 TWIN HOSE	4
17	7-273-23	TOP PLATE / 3/8 HOSE CLAMP	4
18	6-5205-10	CAPSCREW 5/16 NC x 1 1/4 LG.	4
19	6-7023-62	HOSE / 06 x 06-90 x 31 LG.	REF

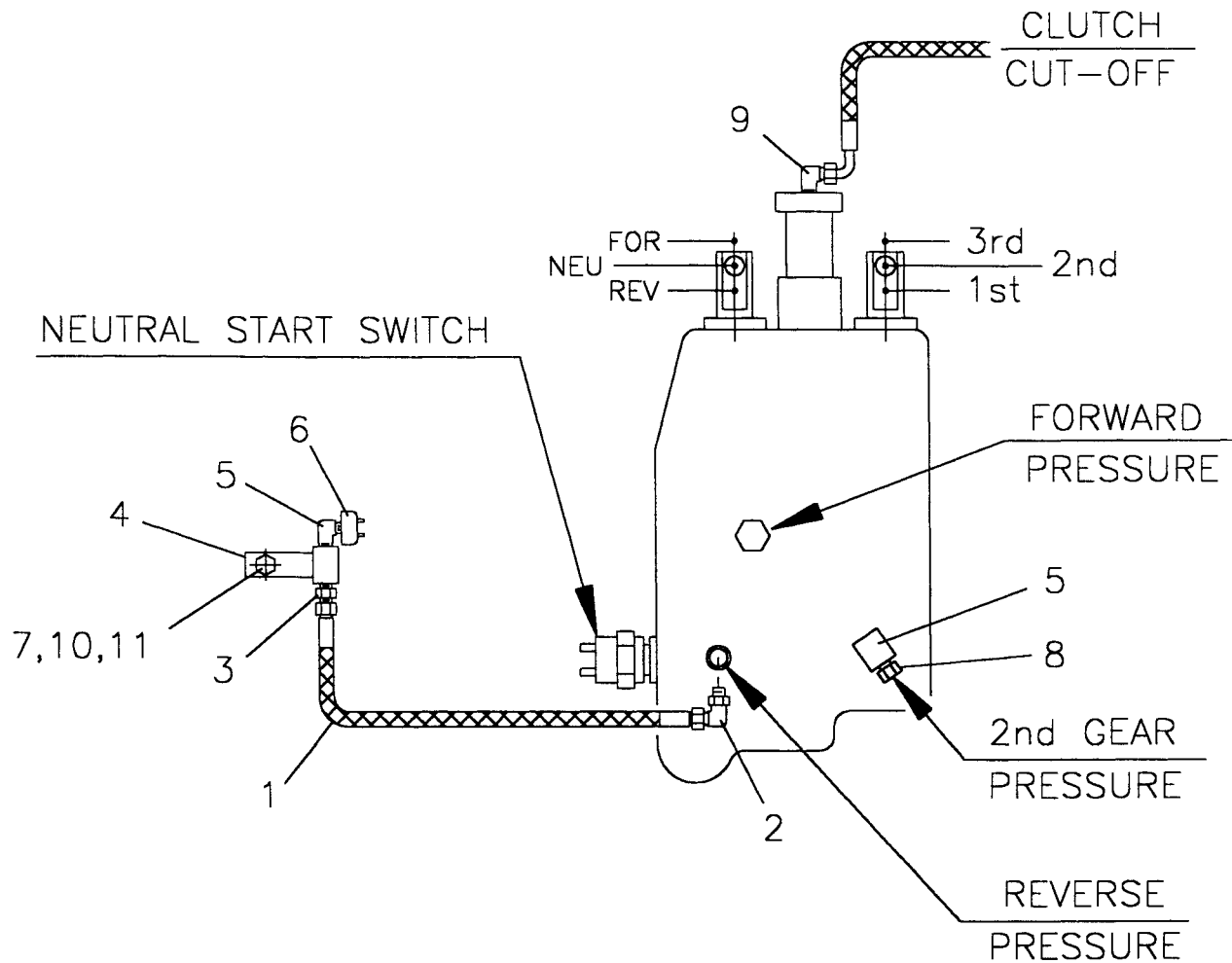
DRAWING
NUMBER P4-1547

CIRCUIT / SWAY
SS-842 SQUARE SHOOTER

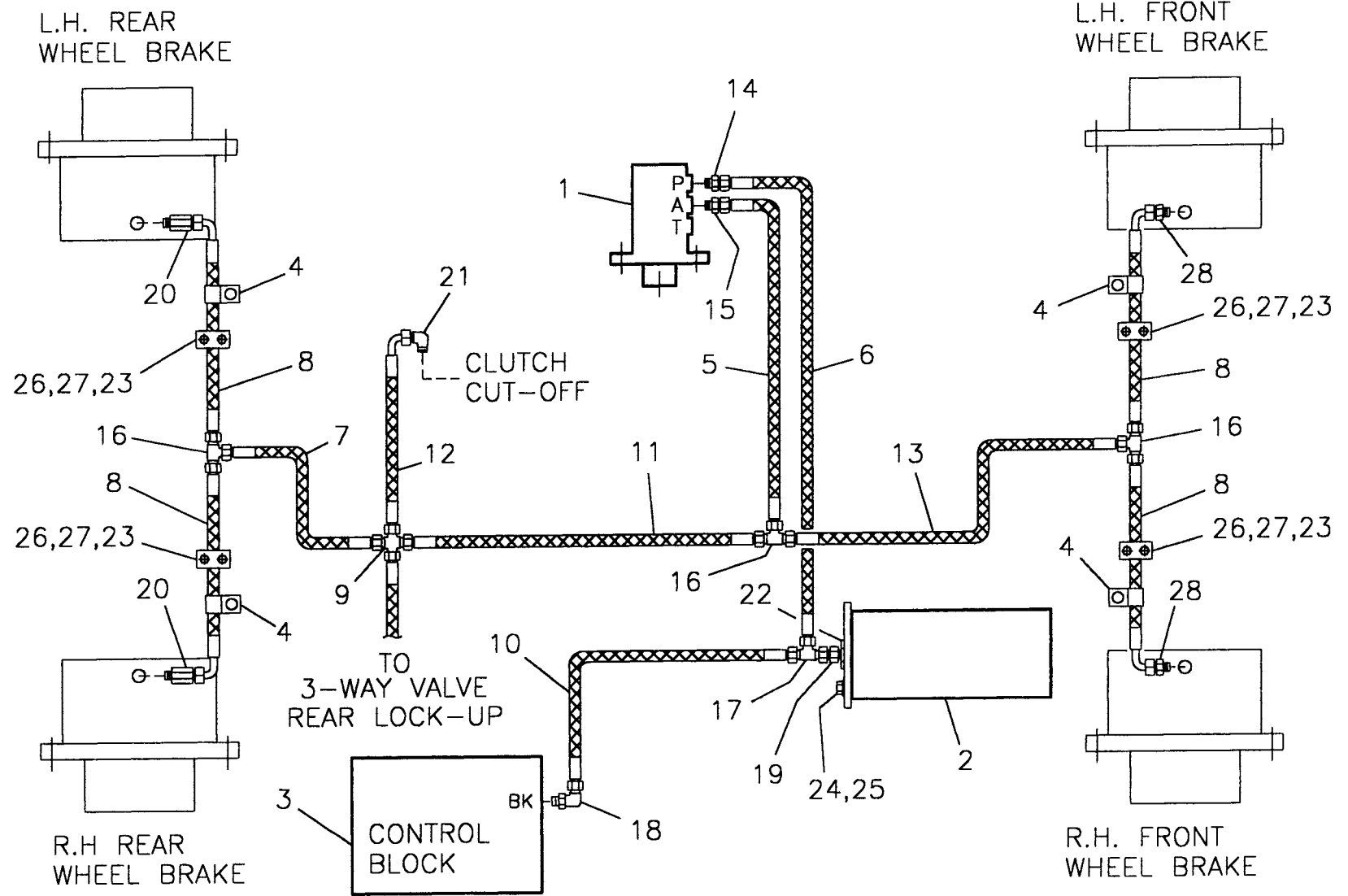
PAGE
NUMBER 34A



ITEM	NUMBER	DESCRIPTION	REQD
1	7-234-75	CONTROL BLOCK	REF
2	7-234-76	BLOCK ASSEMBLY / REAR LOCK-UP	REF
3	7-304-05	CARTRIDGE / MODULAR CONTROL	2
4	6-6450-05	FITTING / 06 OR x 04 JIC STR	2
5	6-6453-04	FITTING / 06 OR x 04 JIC 90	8
6	6-6455-05	FITTING / 06 OR x 06 JIC RN-TEE	2
7	6-6452-03	FITTING / 06 OR x 06 JIC 45	3
8	6-6426-10	FITTING / 08 NPT x 06 JIC 45	1
9	6-6481-03	FITTING / 04 JIC SW-RN-TEE	1
10	7-316-01	CYLINDER / REAR LOCK-UP	REF
11	6-7002-74	HOSE / 04 x 04 x 37 LG.	4
12	6-7003-56	HOSE / 06 x 06 x 28 LG.	1
13	6-7002-76	HOSE / 04 x 04 x 38 LG.	1
14	6-7003-222	HOSE / 06 x 06 x 111 LG.	1
15	6-7023-62	HOSE / 06 x 06-90 x 31 LG.	2
16	6-7002-38	HOSE / 04 x 04 x 19 LG.	1
17	6-7033-320	HOSE / 06 x 08-90 x 160 LG.	REF
18	6-5205-20	CAPSCREW 5/16 NC x 2 1/2 LG.	2
19	6-6211-05	LOCKWASHER 5/16	2
20	6-6453-06	FITTING / 06 OR x 06 JIC 90	1



ITEM	NUMBER	DESCRIPTION	REQD
1	6-7002-42	HOSE / 04 x 04 x 21 LG.	1
2	6-6427-03	FITTING / 02 NPT x 04 JIC 90	1
3	6-6425-03	FITTING / 02 NPT x 04 JIC STR	1
4	1-1019	MOUNT	1
5	6-6422-01	FITTING / 02 x 02 NPT BRASS ELBOW	2
6	7-303-01	PRESSURE SWITCH	REF
7	6-5207-40	CAPSCREW 7/16 NC x 5 LG.	1
8	6-6409-01	FITTING / 02 NPT HEX HD PLUG	REF
9	6-6427-03	FITTING / 02 NPT x 04 JIC 90	REF
10	6-6211-07	LOCKWASHER 7/16	1
11	6-6212-06	FLATWASHER 3/8	1

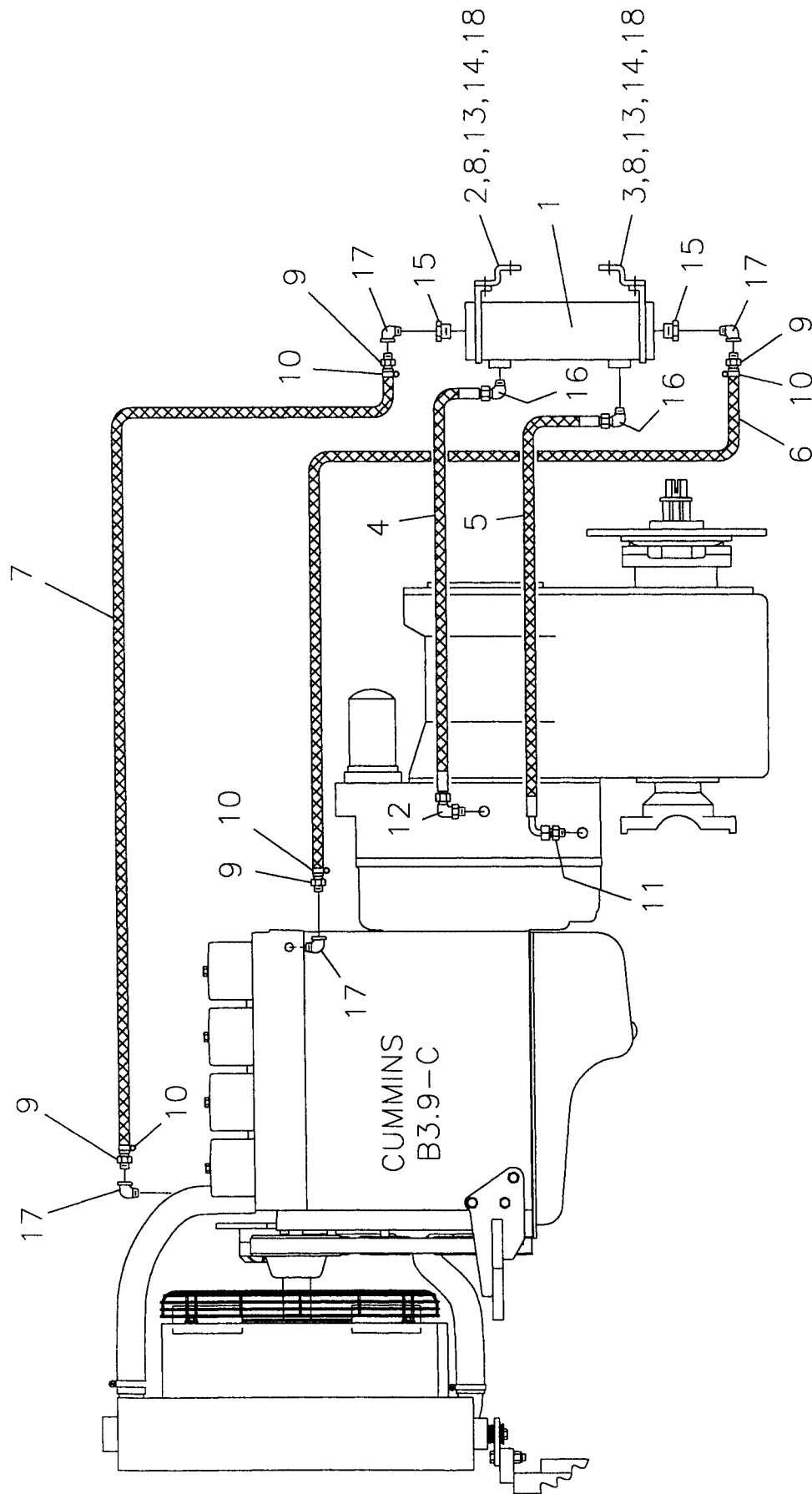


ITEM	NUMBER	DESCRIPTION	REQD
1	7-198-39	ACTUATOR / BRAKE	REF
2	7-256-25	ACCUMULATOR / BRAKE	REF
3	7-234-75	CONTROL BLOCK	REF
4	1-1025	CLAMP	4
5	6-7003-74	HOSE / 06 x 06 x 37 LG.	1
6	6-7002-74	HOSE / 04 x 04 x 37 LG.	1
7	6-7003-100	HOSE / 06 x 06 x 50 LG.	1
8	6-7042-94	HOSE / 06 x 04-90 x 47 LG.	4
9	6-6483-05	FITTING / 06 JIC CROSS	1
10	6-7002-330	HOSE / 04 x 04 x 165 LG.	1
11	6-7003-100	HOSE / 06 x 06 x 50 LG.	1
12	6-7042-37	HOSE / 06 x 04-90 x 18.5 LG.	1
13	6-7003-120	HOSE / 06 x 06 x 60 LG.	1
14	6-6450-06	FITTING / 08 OR x 04 JIC STR	1
15	6-6450-09	FITTING / 08 OR x 06 JIC STR	1
16	6-6482-05	FITTING / 06 JIC TEE	3
17	6-6481-03	FITTING / 04 JIC SW-RUN-TEE	1
18	6-6453-04	FITTING / 06 OR x 04 JIC 90	1
19	6-6425-03	FITTING / 02 NPT x 04 JIC STR	1
20	7-229-217	FITTING / WITH AXLE	REF
21	6-6427-03	FITTING / 02 NPT x 04 JIC 90	1
22	1-2014	FITTING / 20 OR x 02 NPT REDUCER	1
23	6-5204-12	CAPSCREW 1/4 NC x 1 1/2 LG.	8
24	6-5308-08	CAPSCREW 1/2 NF x 1 LG.	3
25	6-6211-08	LOCKWASHER 1/2	3
26	7-273-18	CLAMP HALF SET / 1/4 SINGLE HOSE	4
27	7-273-20	TOP PLATE / 1/4 HOSE CLAMP	4
28	7-229-112	FITTING / WITH AXLE	REF

DRAWING
NUMBER P4-1550

CIRCUIT / BRAKE
SS-842 SQUARE SHOOTER

PAGE
NUMBER 37A

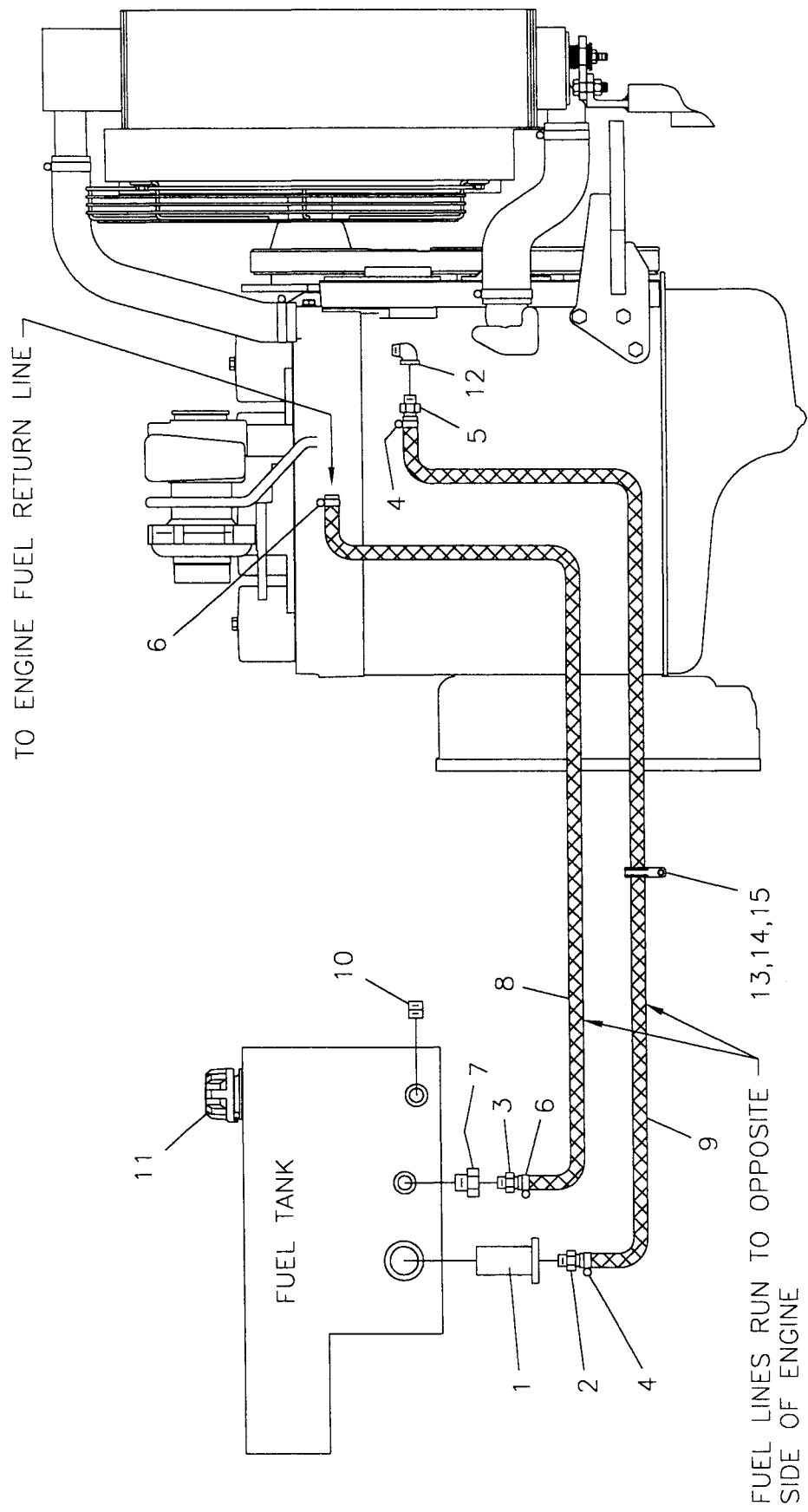


ITEM	NUMBER	DESCRIPTION	REQD
1	7-236-07	OIL COOLER	1
2	3-1205-1	MOUNT / OIL COOLER / RH	1
3	3-1205-2	MOUNT / OIL COOLER / LH	1
4	6-7006-58	HOSE / 12 x 12 x 29 LG.	1
5	6-7026-52	HOSE / 12 x 12-90 x 26 LG.	1
6	6-9611-248	HOSE-HEATER 3/4 x 31 LG.	1
7	6-9611-432	HOSE-HEATER 3/4 x 54 LG.	1
8	6-6211-05	LOCKWASHER 5/16	4
9	6-6423-18	HOSE END / 12-08 MALE PIPE	4
10	6-6252-04	HOSE CLAMP / NO.12	4
11	6-6450-20	FITTING / 12 OR x 12 JIC STR	1
12	6-6453-15	FITTING / 12 OR x 12 JIC 90	1
13	6-6201-05	HEX NUT 5/16 NC	4
14	6-6212-05	FLATWASHER 5/16	4
15	6-6406-07	FITTING / NPT REDUCER 3/4 x 1/2	2
16	6-6427-18	FITTING / 12 NPT x 12 JIC 90	2
17	6-6437-04	FITTING / 08 NPT ST ELB BLK-P	4
18	6-5205-06	CAPSCREW 5/16 NC x 3/4 LG.	4

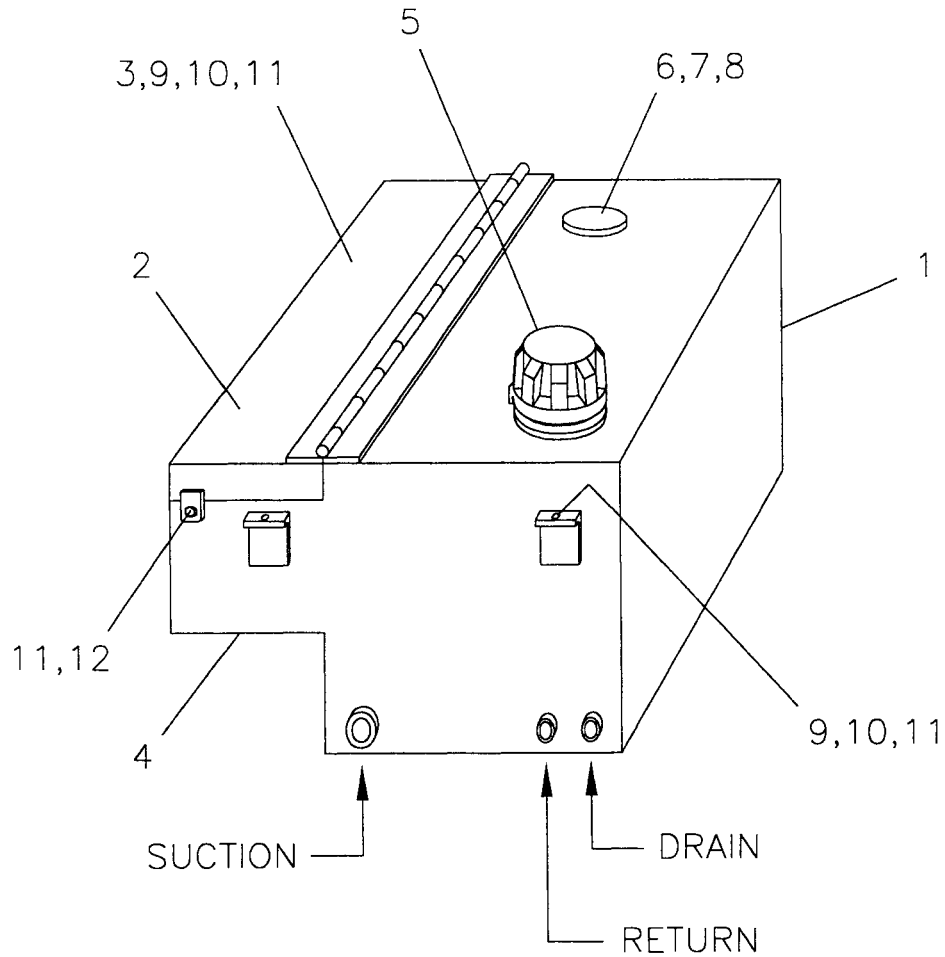
DRAWING
NUMBER P4-1790

CIRCUIT / OIL COOLER
SS-636, SS-842, & SS-1048

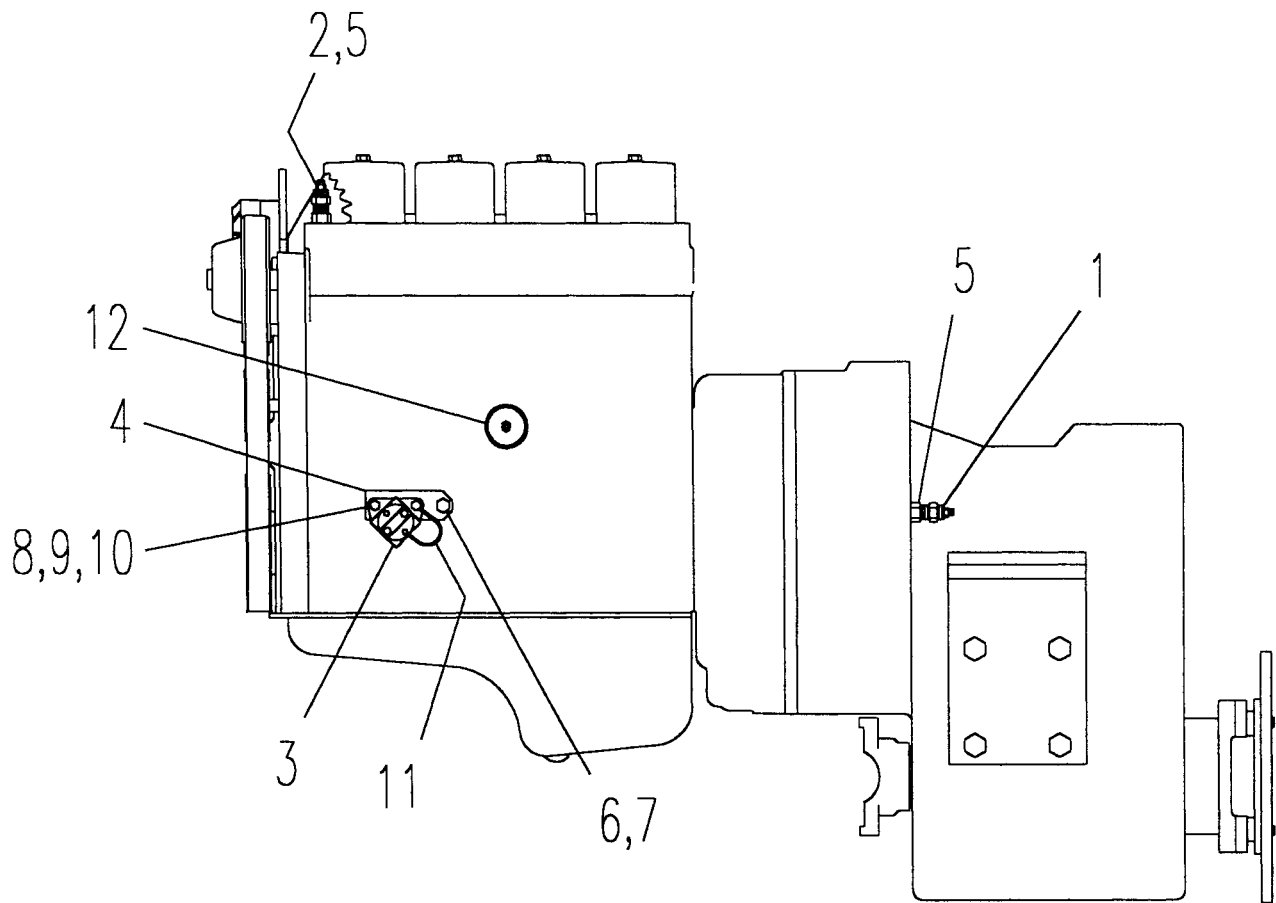
PAGE
NUMBER 38A



ITEM	NUMBER	DESCRIPTION	REQD
1	7-272-05	FUEL STRAINER	1
2	6-6423-10	FITTING / 08 x 06 BRASS HOSE END	1
3	6-6423-04	FITTING / 02 x 05 BRASS HOSE END	1
4	6-6252-20	HOSE CLAMP / NO. 2	2
5	6-6423-08	FITTING / 04 x 06 BRASS HOSE END	1
6	6-6252-20	HOSE CLAMP / NO. 2	2
7	6-6406-06	FITTING / 08 NPT x 02 NPT REDUCER	1
8	6-9621-560	HOSE-FUEL 5/16 x 70 LG.	1
9	6-9605-544	HOSE-FUEL 3/8 x 68 LG.	1
10	6-6408-06	FITTING / NPT FLUSH PLUG 3/4	1
11	7-272-09	FILLER CAP / FUEL	REF
12	6-6422-03	FITTING / 04 NPT 90 ST. ELB. BRASS	1
13	7-194-53	LOOP CLAMP / 5/8	1
14	6-5204-04	CAPSCREW 1/4 NC x 1/2 LG.	1
15	6-6211-04	LOCKWASHER 1/4	1



ITEM	NUMBER	DESCRIPTION	REQD
1	4-1615	FUEL TANK / BATTERY BOX	1
2	1-1095	PLYWOOD PAD / BATTERY BOX	1
3	1-1096	HOLD DOWN / BATTERY	1
4	7-194-09	GROMMET / BATTERY BOX	2
5	7-272-09	FILLER CAP / FUEL	1
6	7-172-03	SENDER / FUEL GAUGE	REF
7	7-172-15	GASKET / FUEL SENDER	REF
8	6-6284-07	MACHINE SCREW 10-32 x 1/2 LG.	5
9	6-5206-08	CAPSCREW 3/8 NC x 1 LG.	6
10	6-6212-06	FLATWASHER 3/8	14
11	6-6211-06	LOCKWASHER 3/8	7
12	6-5206-06	CAPSCREW 3/8 NC x 3/4 LG.	1

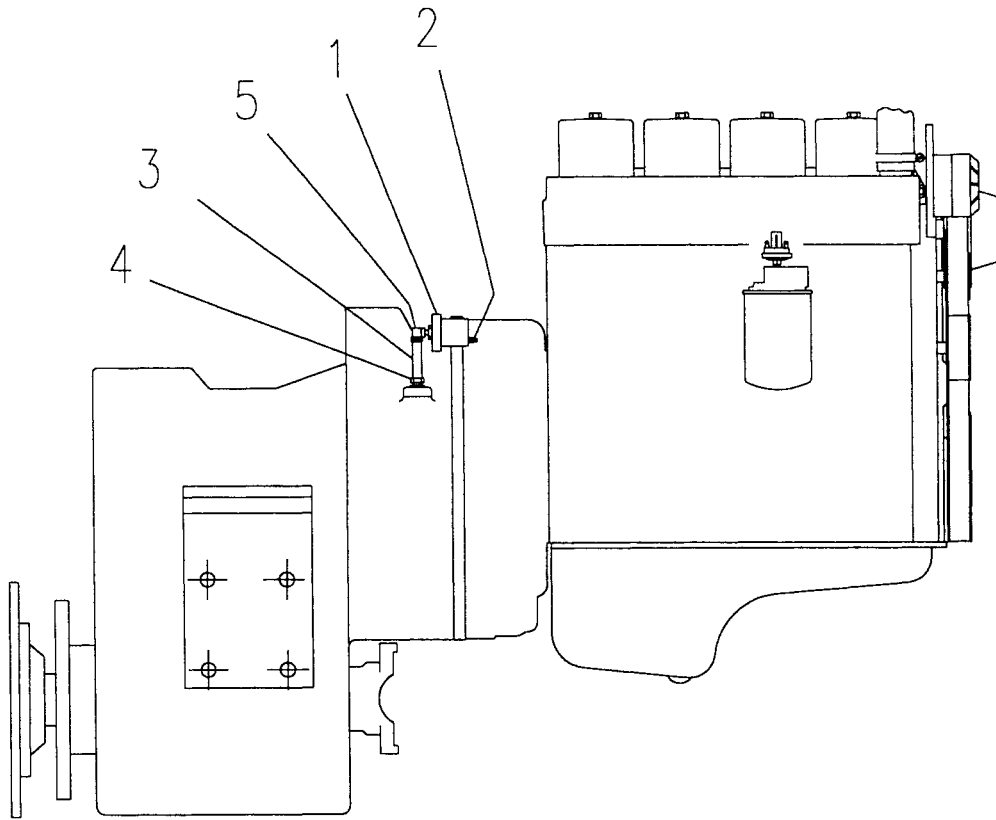


ITEM	NUMBER	DESCRIPTION	REQD
1	7-172-07	SENDER / TRANS. OIL TEMP.	REF
2	7-172-09	SENDER / ENGINE WATER TEMP.	REF
3	7-183-18	RELAY / STARTER	1
4	1-1180	MOUNT / STARTER RELAY	1
5	6-6406-04	FITTING / NPT REDUCER 1/2 x 3/8	2
6	6-8508-25	CAPSCREW 8mm x 1.25 x 25mm LG.	1
7	6-9111-08	LOCKWASHER 8mm	1
8	6-5204-04	CAPSCREW 1/4 NC x 1/2 LG.	2
9	6-6211-04	LOCKWASHER 1/4	2
10	6-6212-04	FLATWASHER 1/4	2
11	1-1094	GROUND WIRE / STARTER RELAY	1
12	7-172-05	SENDER / ENGINE OIL PRESSURE	REF

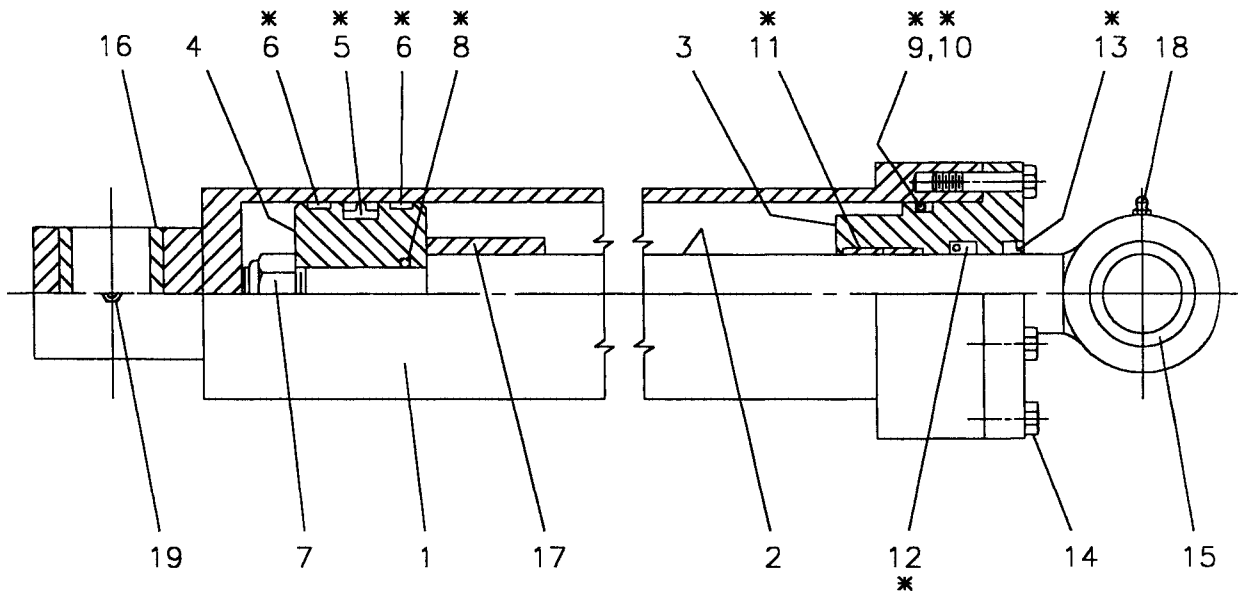
DRAWING
NUMBER P4-1791

STARTER RELAY / SENDER ASSEMBLY
SS-636, SS-842, & SS-1048

PAGE
NUMBER 41



ITEM	NUMBER	DESCRIPTION	REQD
1	7-172-16	SENDER / TRAN. OIL PRESSURE	REF
2	6-6286-06	HEX NUT 10-32	1
3	6-6410-03	FITTING / 1/8 PIPE NIPPLE	1
4	6-6458-02	FITTING / 06 OR x 02 NPT REDUCER	1
5	6-6404-01	FITTING / 02 NPT ELBOW	1

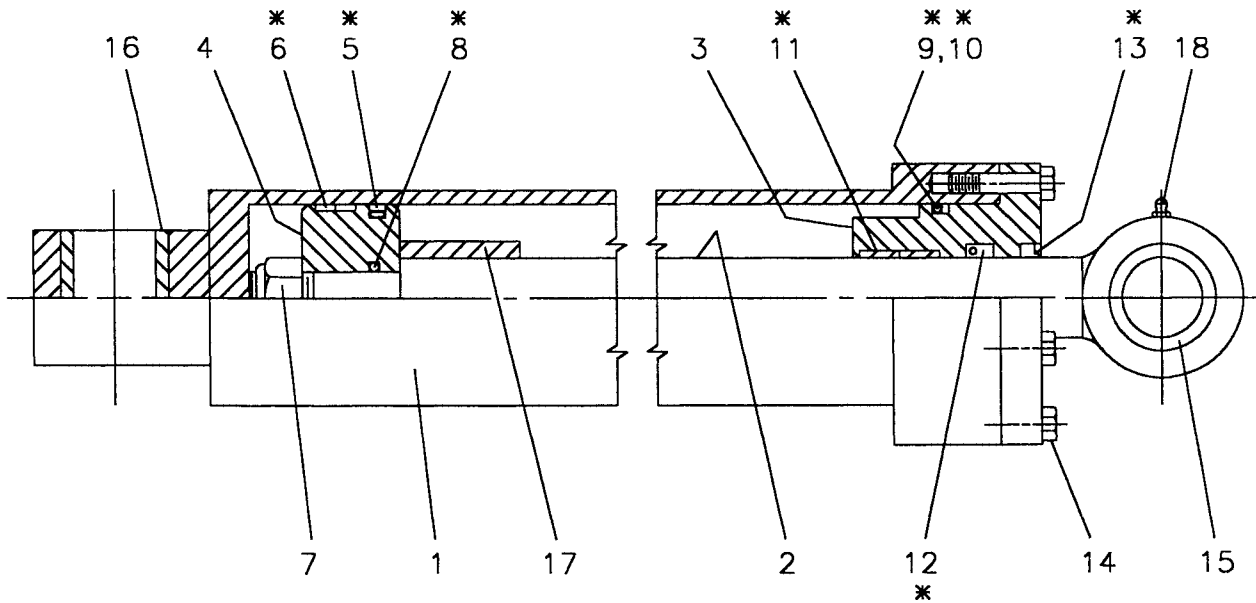


ITEM	NUMBER	DESCRIPTION	REQD
1	7-316-184	TUBE WELDMENT	1
2	7-316-185	SHAFT	1
3	7-316-101	HEAD	1
4	7-316-111	PISTON	1
5	7-316-54	SEAL / PISTON	(*) 1
6	7-316-65	WEAR RING / PISTON	(*) 2
7	7-316-73	SELF-LOCKING NUT	1
8	7-316-80	O-RING / STUB SHAFT	(*) 1
9	7-316-81	O-RING / HEAD	(*) 1
10	7-316-82	BACK-UP RING / HEAD	(*) 1
11	7-316-46	WEAR RING / HEAD	(*) 2
12	7-316-26	SEAL / SHAFT	(*) 1
13	7-316-36	WIPER / SHAFT	(*) 1
14	7-316-96	CAPSCREW 1/2	8
15	7-316-155	BRONZE BUSHING / Ref 6-4524-32	1
16	7-316-156	BRONZE BUSHING / Ref 6-4516-24	1
17	7-316-186	SPACER	1
18	7-316-150	LUBE FITTING	1
19	7-316-150	LUBE FITTING	1
20			
21	7-900-21	SEAL KIT / ITEMS MARKED	(*) REF

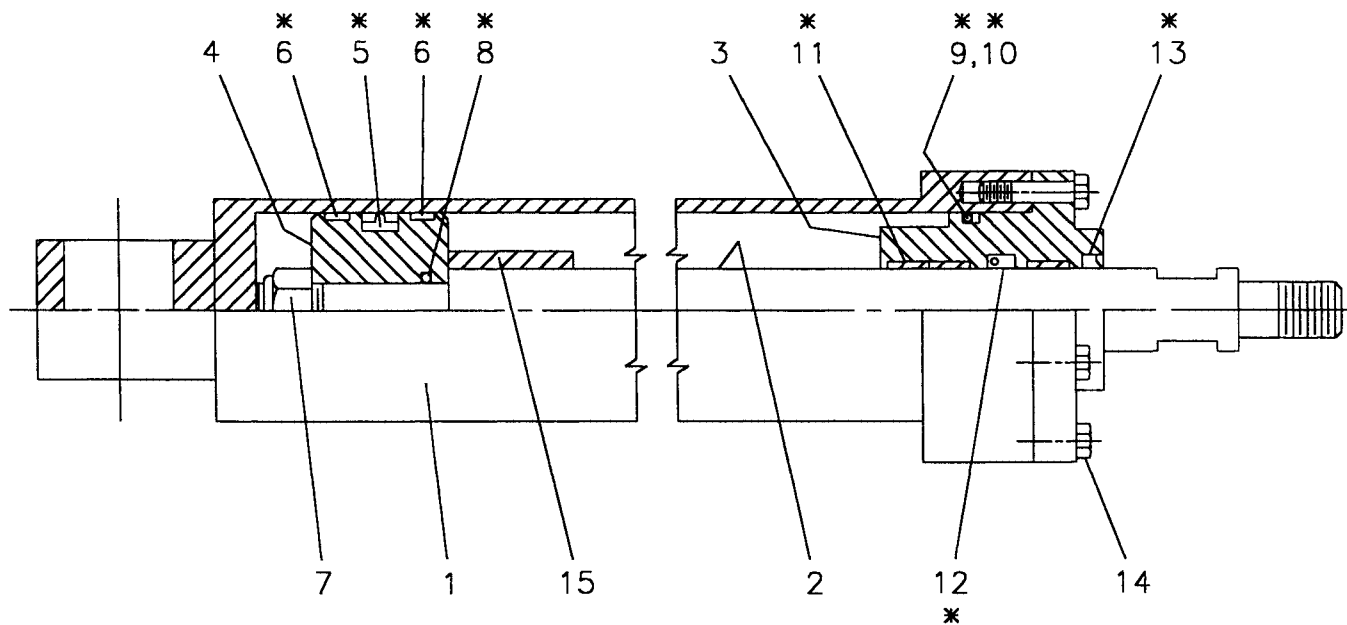
DRAWING NUMBER P4-1553

LIFT CYLINDER / 7-316-181 / SS-842
4.50 BORE x 3.00 SHAFT DIA.

PAGE NUMBER 43



ITEM	NUMBER	DESCRIPTION	REQD
1	7-316-187	TUBE WELDMENT	1
2	7-316-188	SHAFT	1
3	7-316-102	HEAD	1
4	7-316-112	PISTON	1
5	7-316-59	SEAL / PISTON (*)	1
6	7-316-68	WEAR RING / PISTON (*)	1
7	7-316-73	SELF-LOCKING NUT	1
8	7-316-80	O-RING / STUB SHAFT (*)	1
9	7-316-83	O-RING / HEAD (*)	1
10	7-316-84	BACK-UP RING / HEAD (*)	1
11	7-316-45	WEAR RING / HEAD (*)	2
12	7-316-25	SEAL / SHAFT (*)	1
13	7-316-35	WIPER / SHAFT (*)	1
14	7-316-96	CAPSCREW 1/2	12
15	7-316-156	BRONZE BUSHING / Ref 6-4516-24	1
16	7-316-156	BRONZE BUSHING / Ref 6-4516-24	1
17	7-316-189	SPACER	1
18	7-316-160	LUBE FITTING / SHAFT END	1
19			
20	7-900-22	SEAL KIT / ITEMS MARKED (*)	REF

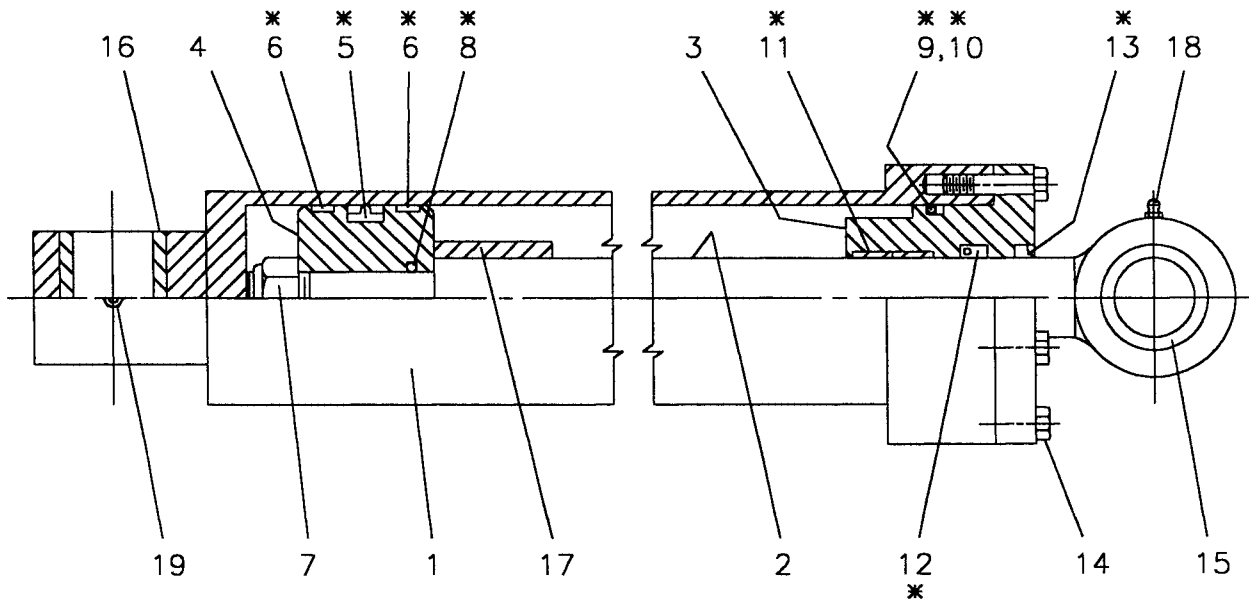


ITEM	NUMBER	DESCRIPTION	REQD
1	7-316-178	TUBE WELDMENT	1
2	7-316-179	SHAFT	1
3	7-316-106	HEAD	1
4	7-316-113	PISTON	1
5	7-316-53	SEAL / PISTON	(*) 1
6	7-316-64	WEAR RING / PISTON	(*) 2
7	7-316-73	SELF-LOCKING NUT	1
8	7-316-80	O-RING / STUB SHAFT	(*) 1
9	7-316-85	O-RING / HEAD	(*) 1
10	7-316-86	BACK-UP RING / HEAD	(*) 1
11	7-316-49	WEAR RING / HEAD	(*) 3
12	7-316-29	SEAL / SHAFT	(*) 1
13	7-316-35	WIPER / SHAFT	(*) 1
14	7-316-95	CAPSCREW 7/16	8
15	7-316-180	SPACER	1
16			
17	7-900-23	SEAL KIT / ITEMS MARKED	(*) REF

DRAWING NUMBER P4-1555

BOOM CYLINDER / 7-316-183 / SS-842
4.00 BORE x 2.50 SHAFT DIA.

PAGE NUMBER 45



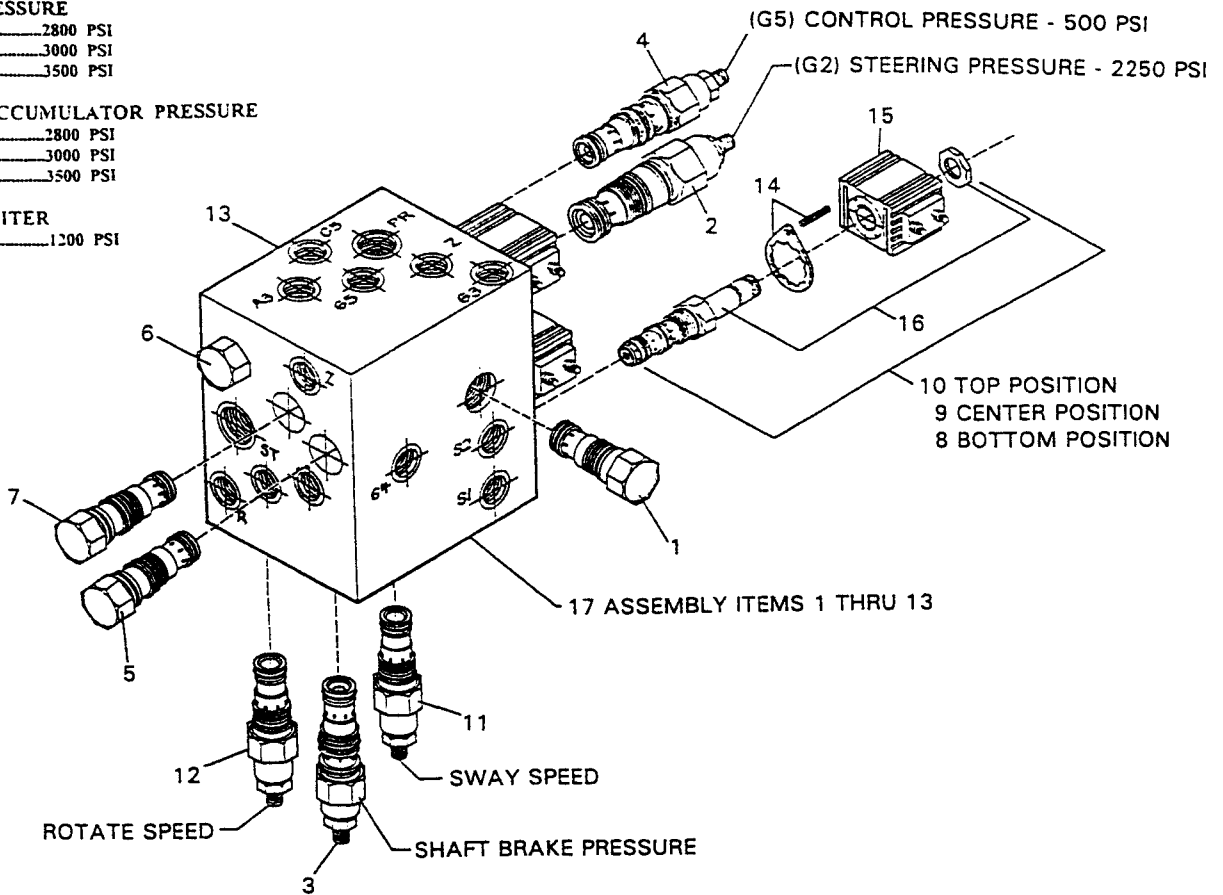
ITEM	NUMBER	DESCRIPTION	REQD
1	7-316-130	TUBE WELDMENT	1
2	7-316-120	SHAFT	1
3	7-316-100	HEAD	1
4	7-316-110	PISTON	1
5	7-316-52	SEAL / PISTON (*)	1
6	7-316-63	WEAR RING / PISTON (*)	2
7	7-316-72	SELF-LOCKING NUT	1
8	7-316-77	O-RING / STUB SHAFT (*)	1
9	7-316-78	O-RING / HEAD (*)	1
10	7-316-79	BACK-UP RING / HEAD (*)	1
11	7-316-42	WEAR RING / HEAD (*)	2
12	7-316-22	SEAL / SHAFT (*)	1
13	7-316-32	WIPER / SHAFT (*)	1
14	7-316-95	CAPSCREW 7/16	6
15	7-316-154	BRONZE BUSHING / Ref 6-4512-16	1
16	7-316-154	BRONZE BUSHING / Ref 6-4512-16	1
17	7-316-140	SPACER	1
18	7-316-150	LUBE FITTING	1
19	7-316-150	LUBE FITTING	1
20			
21	7-900-20	SEAL KIT / ITEMS MARKED (*)	REF

REF:

(G1) PUMP PRESSURE
 SS-636.....2800 PSI
 SS-842.....3000 PSI
 SS-1048.....3500 PSI

(G3) BRAKE ACCUMULATOR PRESSURE
 SS-636.....2800 PSI
 SS-842.....3000 PSI
 SS-1048.....3500 PSI

(G6) TILT LIMITER
 ALL.....1200 PSI



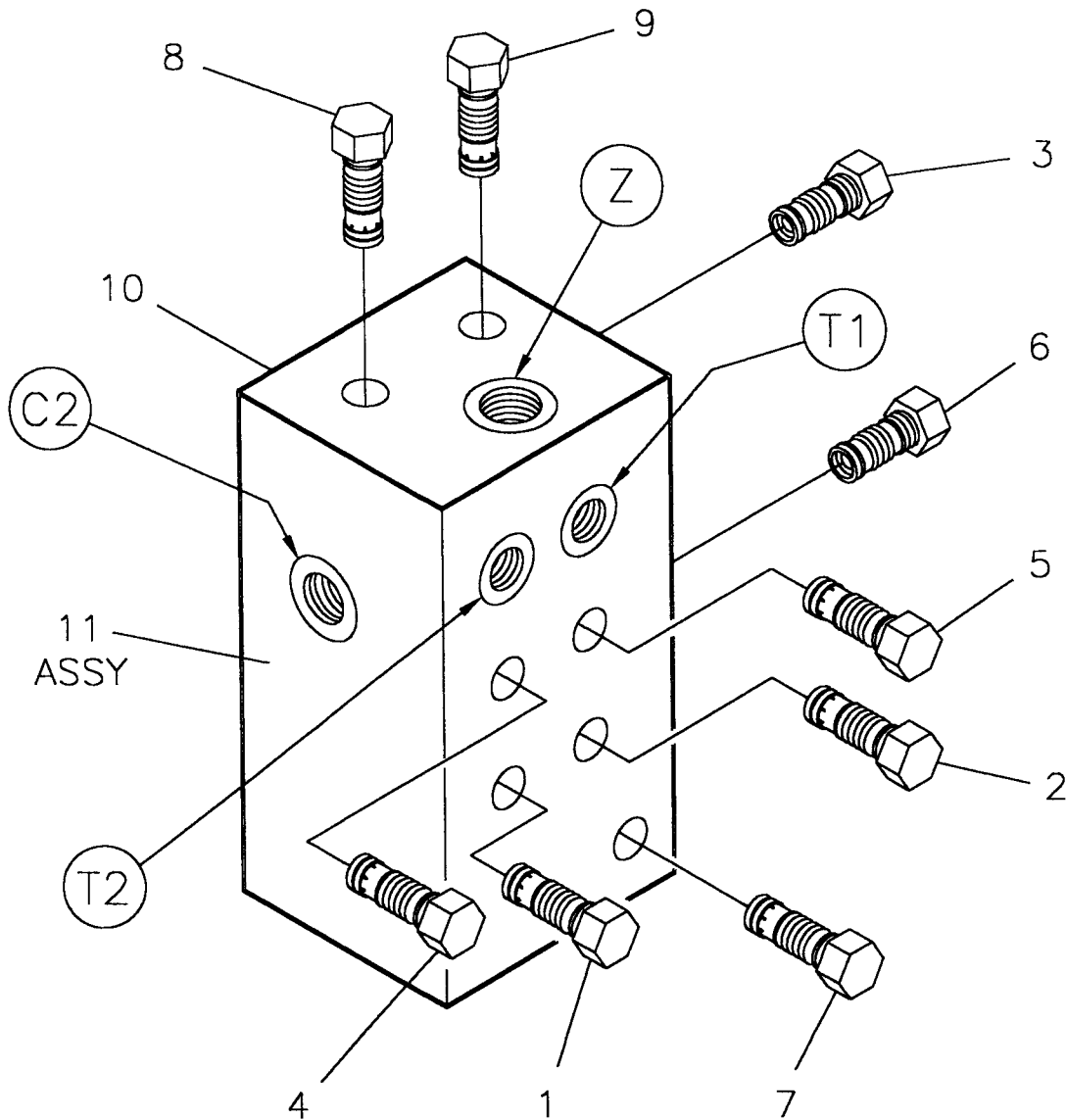
NUMBERS IN () CORRESPOND TO
 ITEMS ON P4-1712 HYD. SCHEMATIC

ITEM	NUMBER	DESCRIPTION	REQD
1	7-234-16	CARTRIDGE / CHECK	(65) 1
2	7-234-15	CARTRIDGE / REDUCING	(66) 1
3	7-234-28	CARTRIDGE / REDUC.-RELIEVING	(67) 1
4	7-234-13	CARTRIDGE / REDUC.-RELIEVING	(68) 1
5	7-234-10	CARTRIDGE / NORMALLY CLOSED	(69) 1
6	7-234-10	CARTRIDGE / NORMALLY CLOSED	(70) 1
7	7-234-11	CARTRIDGE / NORMALLY OPEN	(71) 1
8	7-244-14	SOLENOID CARTRIDGE ASSEMBLY	(72) 1
9	7-244-14	SOLENOID CARTRIDGE ASSEMBLY	(73) 1
10	7-244-14	SOLENOID CARTRIDGE ASSEMBLY	(74) 1
11	7-234-17	CARTRIDGE / NEEDLE	(75) 1
12	7-234-37	CARTRIDGE / NEEDLE	(40) 1
13	7-234-27	BODY	1
14	7-234-34	LOCK KIT	3
15	7-244-12	COIL / HEAVY DUTY	3
16	7-244-03	CARTRIDGE / ELECTRIC	3
17	7-234-75	CONTROL BLOCK ASSEMBLY	1

DRAWING NUMBER P4-1099

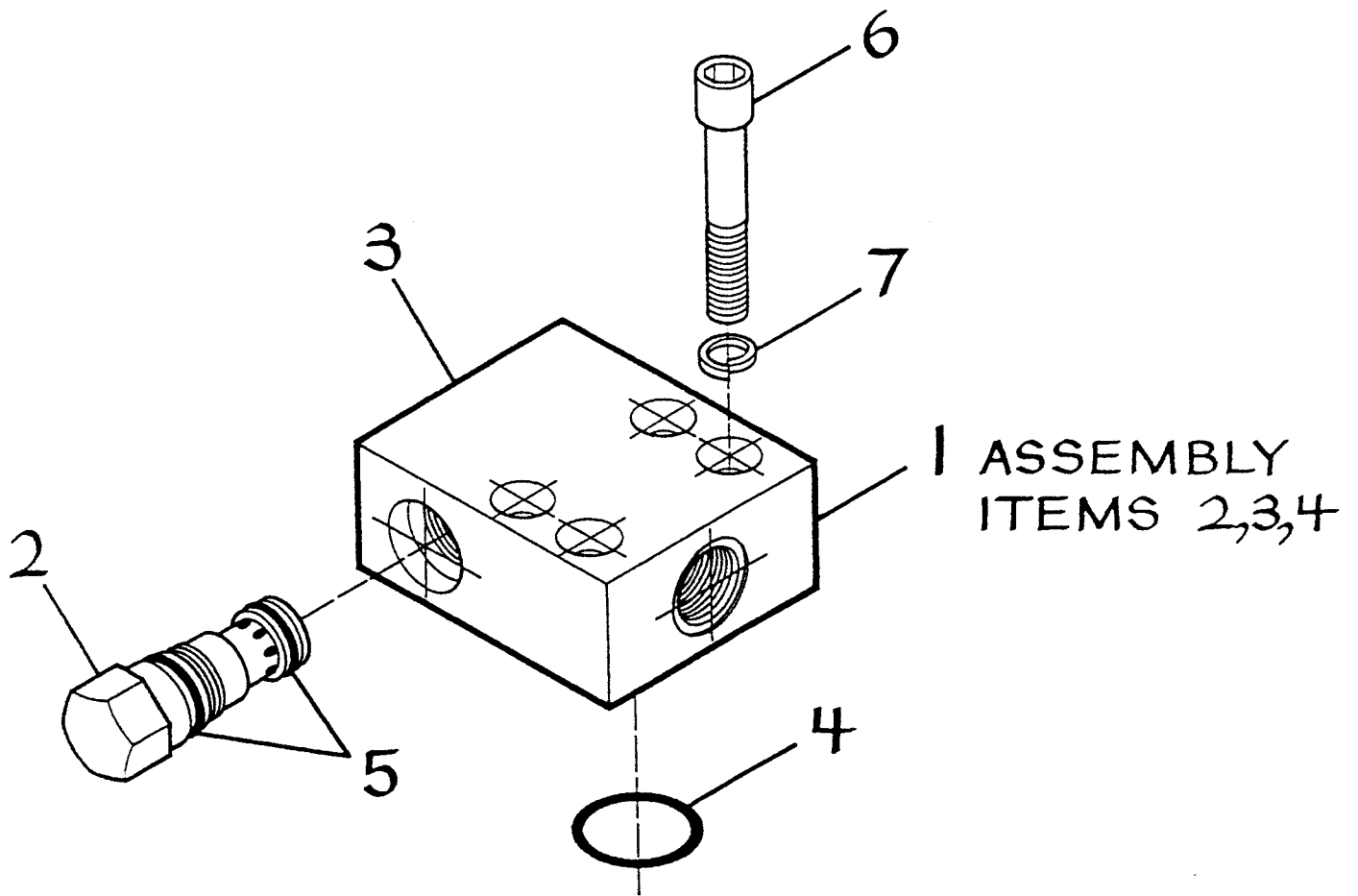
CONTROL BLOCK ASSEMBLY
 SS-636, SS-842, & SS-1048

PAGE NUMBER 47



NUMBERS IN () CORRESPOND TO
ITEMS ON P4-1712 HYD. SCHEMATIC

ITEM	NUMBER	DESCRIPTION	REQD
1	7-234-10	CARTRIDGE / NORMALLY CLOSED (56)	1
2	7-234-10	CARTRIDGE / NORMALLY CLOSED (57)	1
3	7-234-10	CARTRIDGE / NORMALLY CLOSED (58)	1
4	7-234-11	CARTRIDGE / NORMALLY OPEN (59)	1
5	7-234-11	CARTRIDGE / NORMALLY OPEN (60)	1
6	7-234-11	CARTRIDGE / NORMALLY OPEN (61)	1
7	7-234-12	CARTRIDGE / SHUTTLE (62)	1
8	7-234-18	CARTRIDGE / PILOT CHECK (63)	1
9	7-234-18	CARTRIDGE / PILOT CHECK (64)	1
10	7-234-26	BODY	1
11	7-234-07	LOGIC BLOCK ASSEMBLY	1

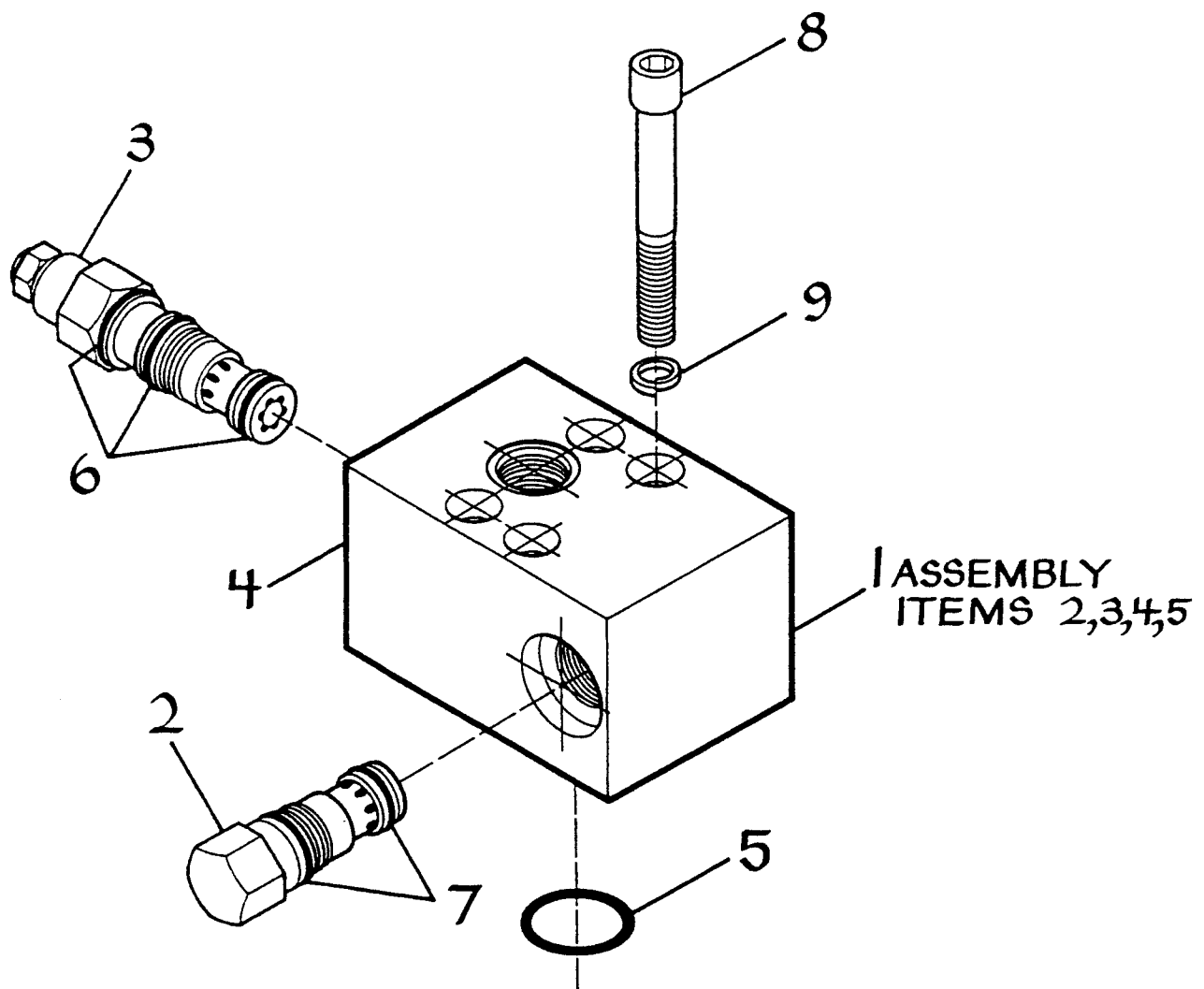


ITEM	NUMBER	DESCRIPTION	REQD
1	7-234-02	MOTION VALVE ASSEMBLY	1
2	7-234-16	CARTRIDGE / CHECK	1
3	7-234-24	BODY	1
4	7-234-32	O-RING	1
5	7-234-31	SEAL KIT	1
6	6-5606-14	CAPSCREW SH 3/8 NC x 1 3/4 LG.	4
7	6-6214-06	LOCKWASHER 3/8 HI-COLLAR	4

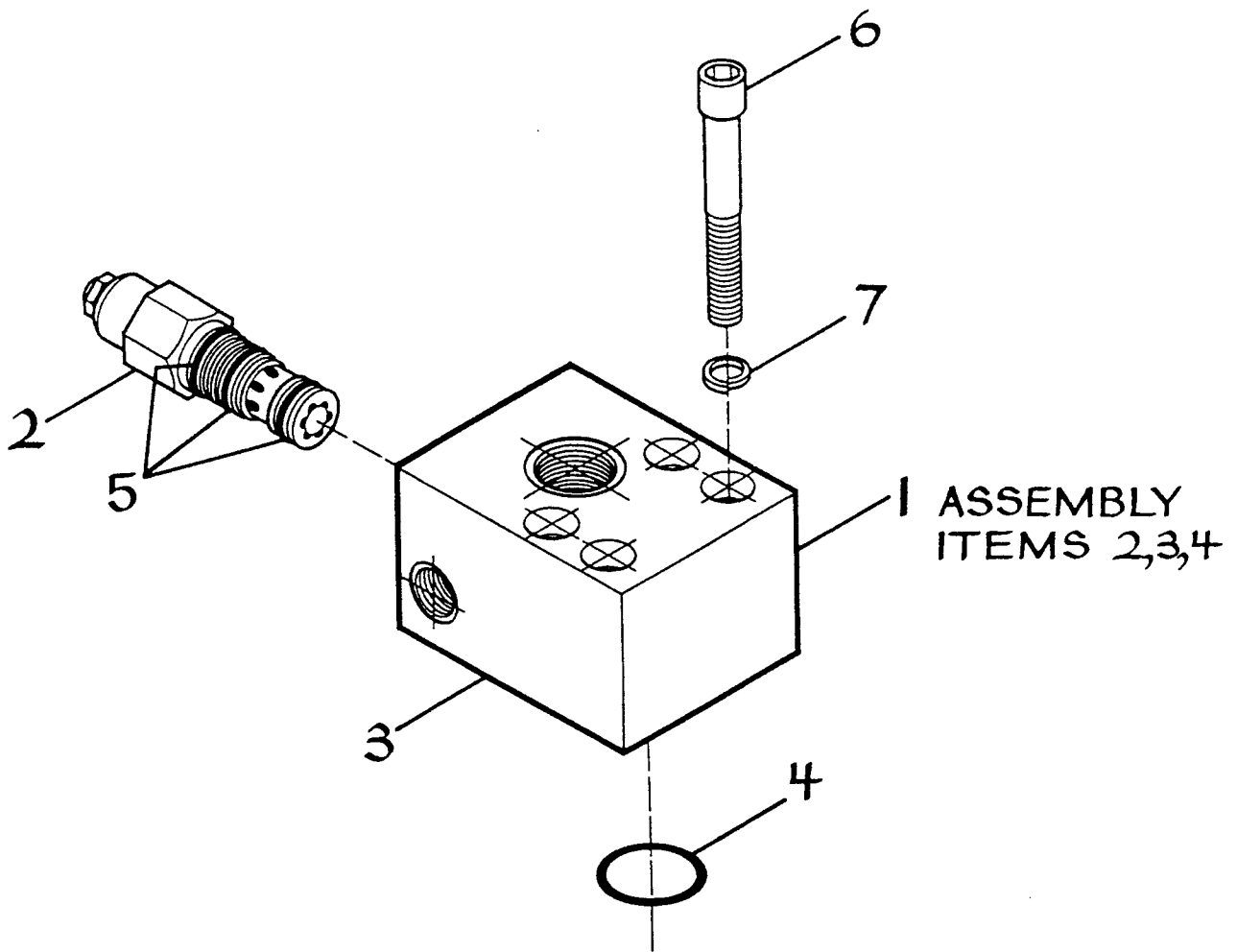
DRAWING
NUMBER P3-1098

MOTION VALVE / BASE TILT CYLINDER
SS-636 / SS-842 / SS-1048

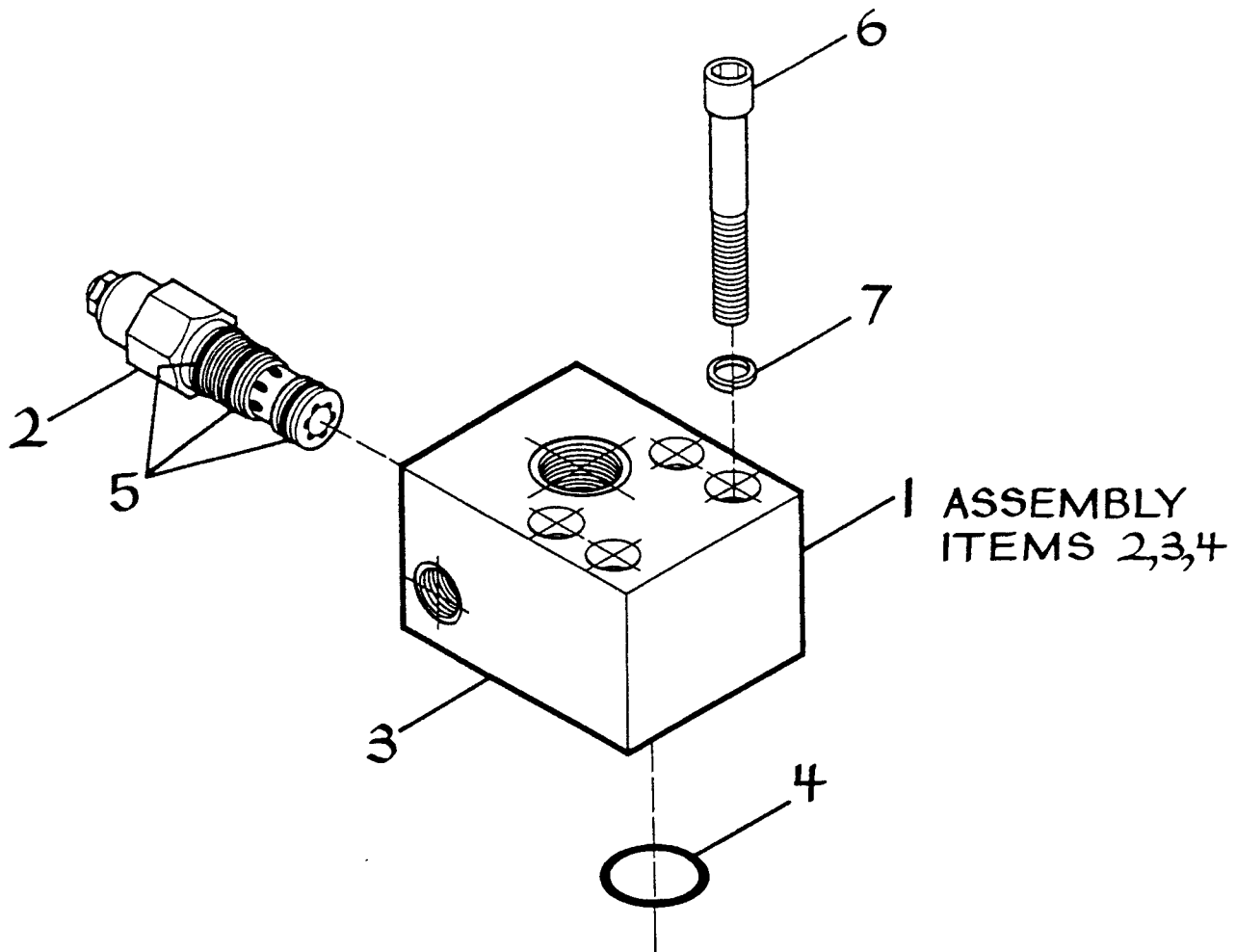
PAGE
NUMBER 49



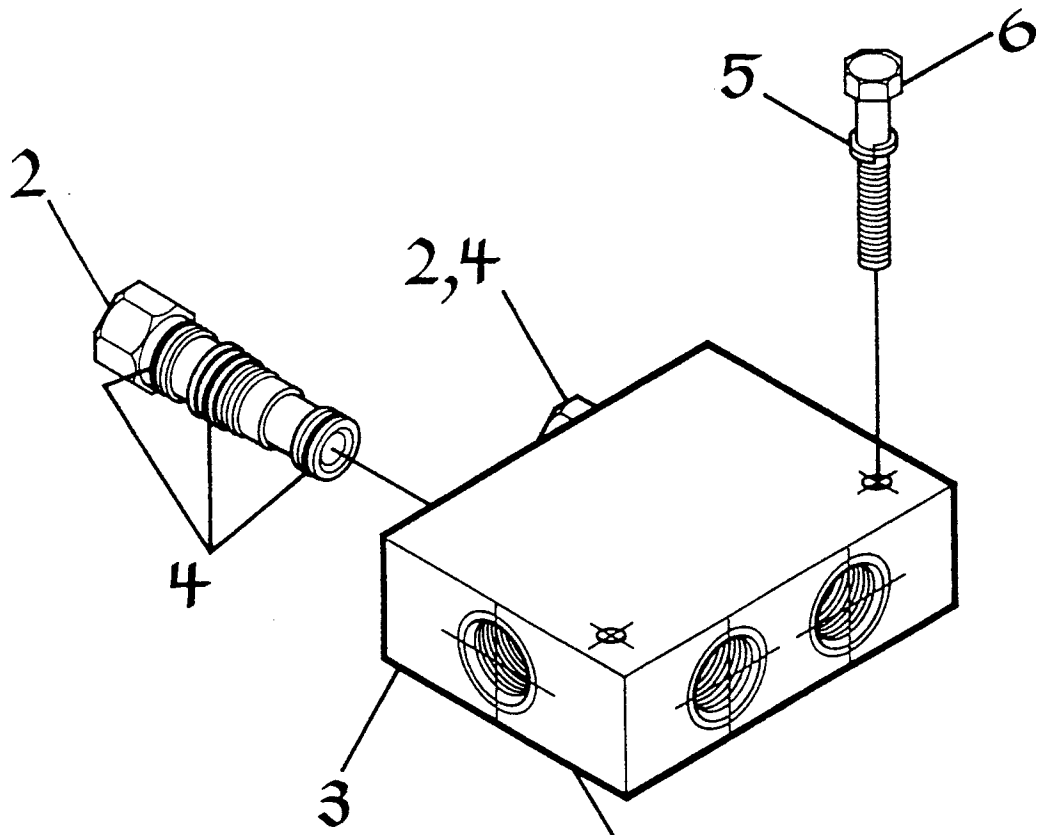
ITEM	NUMBER	DESCRIPTION	REQD
1	7-234-01	MOTION VALVE ASSEMBLY	1
2	7-234-16	CARTRIDGE / CHECK	1
3	7-234-19	CARTRIDGE / COUNTERBALANCE	1
4	7-234-25	BODY	1
5	7-234-32	O-RING	1
6	7-234-29	SEAL KIT	1
7	7-234-31	SEAL KIT	1
8	6-5606-22	CAPSCREW SH 3/8 NC x 2 3/4 LG.	4
9	6-6214-06	LOCKWASHER 3/8 HI-COLLAR	4



ITEM	NUMBER	DESCRIPTION	REQD
1	7-234-03	MOTION VALVE ASSEMBLY	1
2	7-234-22	CARTRIDGE / COUNTERBALANCE	1
3	7-234-23	BODY	1
4	7-234-32	O-RING	1
5	7-234-30	SEAL KIT	1
6	6-5606-22	CAPSCREW SH 3/8 NC x 2 3/4 LG.	4
7	6-6214-06	LOCKWASHER 3/8 HI-COLLAR	4

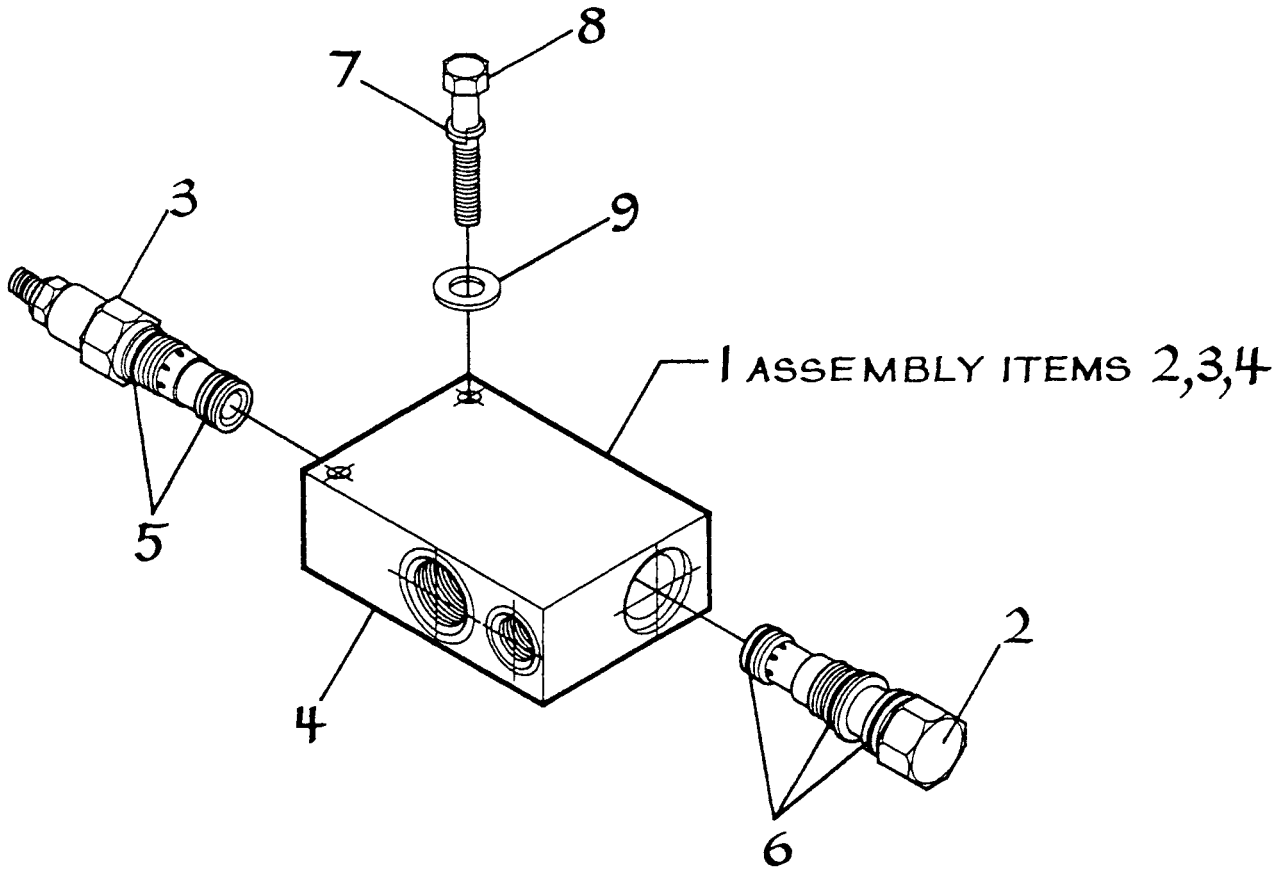


ITEM	NUMBER	DESCRIPTION	REQD
1	7-234-54	MOTION VALVE ASSEMBLY	1
2	7-234-53	CARTRIDGE / COUNTERBALANCE	1
3	7-234-23	BODY	1
4	7-234-32	O-RING	1
5	7-234-30	SEAL KIT	1
6	6-5606-22	CAPSCREW SH 3/8 NC x 2 3/4 LG.	4
7	6-6214-06	LOCKWASHER 3/8 HI-COLLAR	4
8	7-234-60	O-RING	1

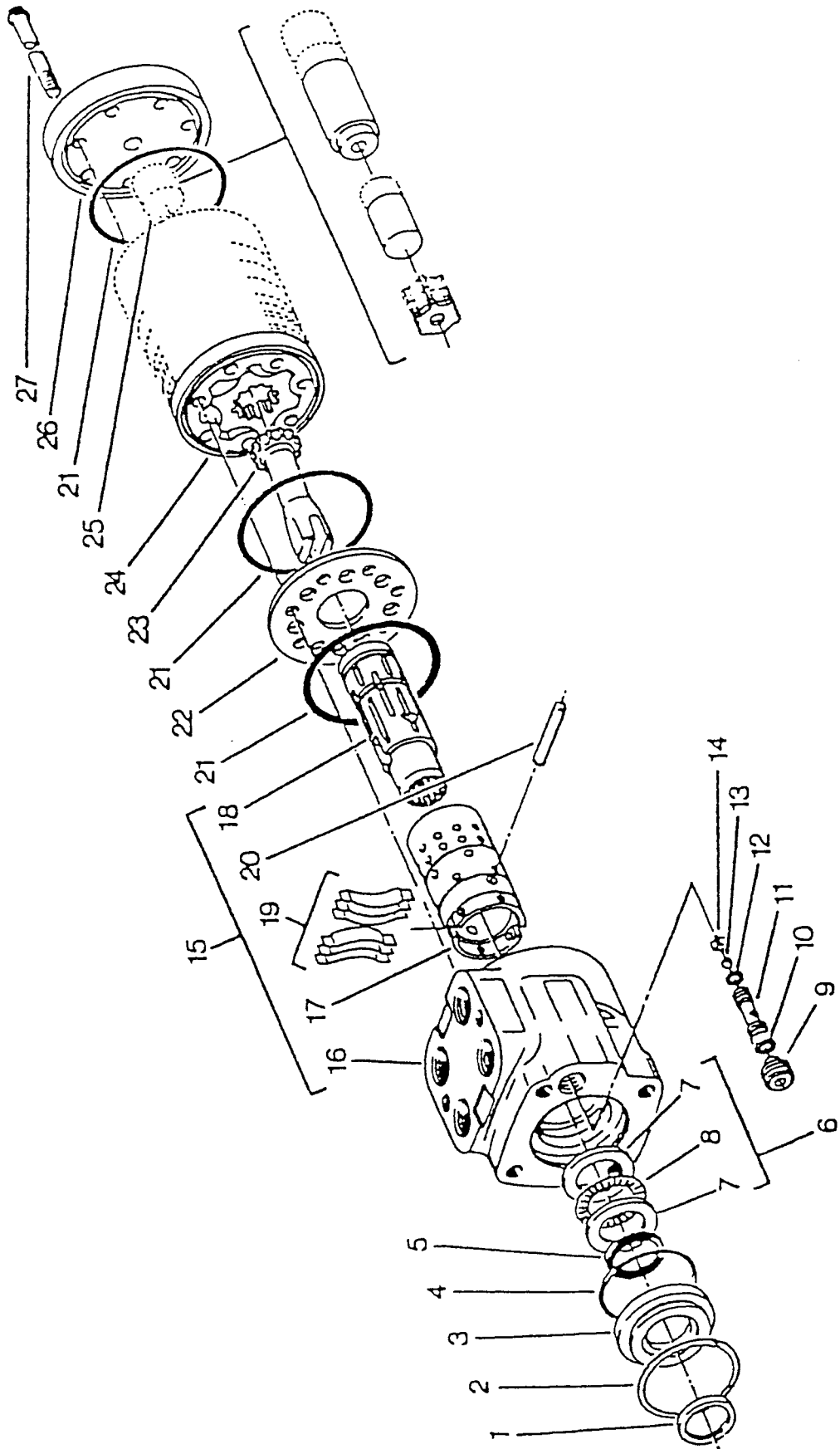


1 ASSEMBLY ITEMS 2,3

ITEM	NUMBER	DESCRIPTION	REQD
1	7-234-04	DUAL PILOT CHECK VALVE ASSY	1
2	7-234-18	CARTRIDGE / PILOT CHECK	2
3	7-234-21	BODY	1
4	7-234-29	SEAL KIT	2
5	6-6211-05	LOCKWASHER 5/16	2
6	6-5205-14	CAPSCREW 5/16 NC x 1 3/4 LG.	2



ITEM	NUMBER	DESCRIPTION	REQD
1	7-234-09	BY-PASS VALVE ASSEMBLY	1
2	7-234-11	CARTRIDGE / NORM. OPEN	1
3	7-234-17	CARTRIDGE / NEEDLE	1
4	7-234-20	BODY	1
5	7-234-31	SEAL KIT	1
6	7-234-29	SEAL KIT	1
7	6-6211-04	LOCKWASHER 1/4	2
8	6-5204-14	CAPSCREW 1/4 NC x 1 3/4 LG.	2
9	6-6212-04	FLATWASHER 1/4	2

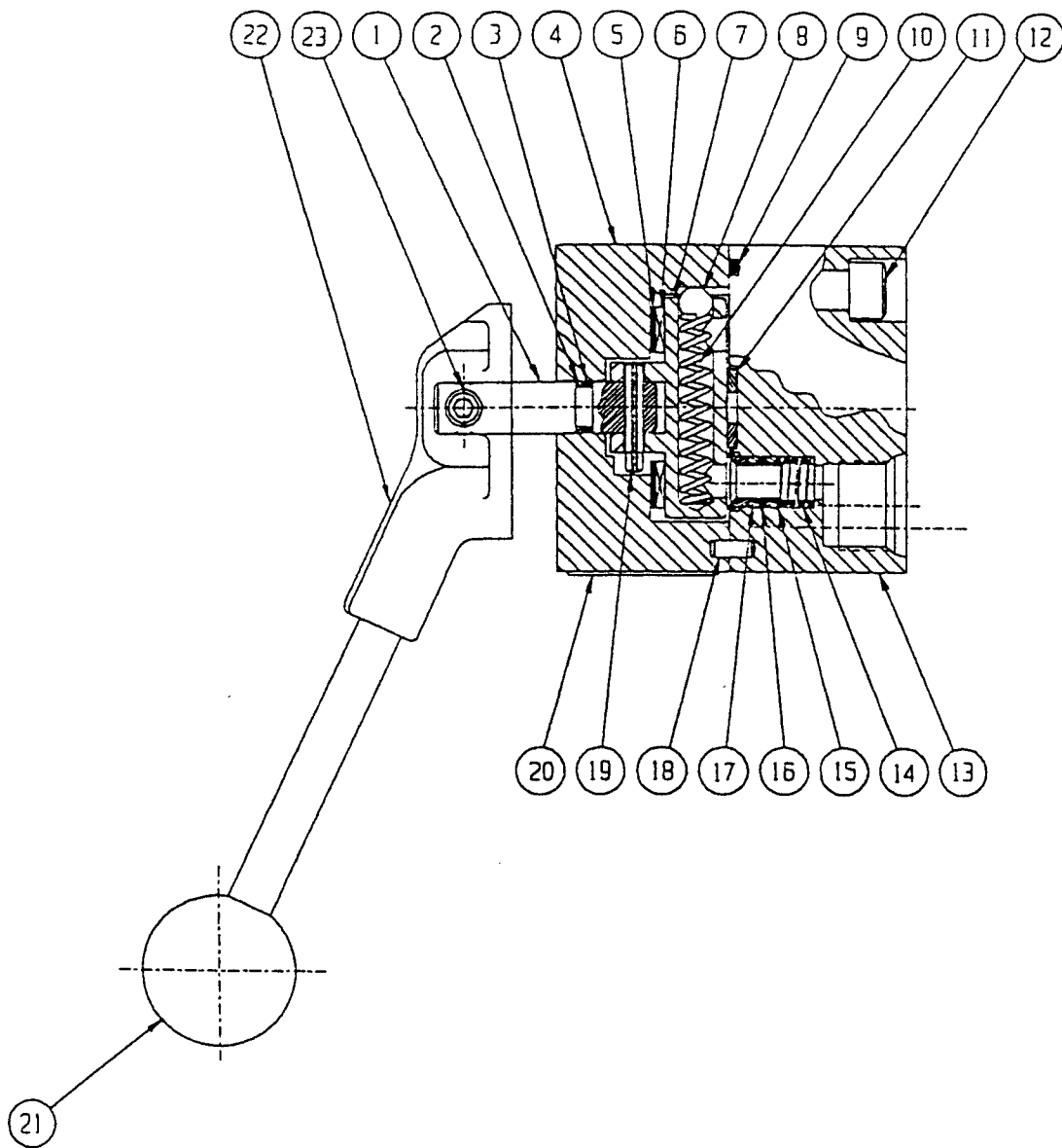


ITEM	NUMBER	DESCRIPTION	REQD
1	7-122-06	SEAL / 1 INCH ID	1
2	7-122-07	RETAINING RING	1
3	7-122-08	BUSHING / SEAL GLAND	1
4	7-122-09	SEAL / 1 7/8 INCH ID	1
5	7-122-10	SEAL / QUAD RING / 1 1/16 ID	1
6	7-122-11	NEEDLE BEARING KIT	1
7	7-122-12	RACE / BEARING	2
8	7-122-13	BEARING / THRUST	1
9	7-122-14	SET SCREW	1
10	7-122-15	SEAL / 3/8 INCH ID	1
11	7-122-16	SEAT / CHECK BALL	1
12	7-122-17	SEAL / 5/16 INCH ID	1
13	7-122-18	BALL CHECK	1
14	7-122-19	RETAINER / BALL CHECK	1
15		CONTROL PARTS ASSEMBLY	1
16		HOUSING-----WITH ITEM 15	1
17		CONTROL SLEEVE-----WITH ITEM 15	1
18		CONTROL SPOOL-----WITH ITEM 15	1
19	7-122-20	CENTERING SPRING	6
20	7-122-21	PIN / CENTERING	1
21	7-122-22	SEAL	3
22	7-122-23	SPACER PLATE	1
23	7-122-24	DRIVE	1
24	7-122-25	GEROTOR	1
25	7-122-26	SPACER	
26	7-122-27	END CAP	1
27	7-122-28	CAPSCREW	7
28	7-122-29	SEAL KIT / ITEMS 1, 4, 5, 10, 12, 21	REF

DRAWING
NUMBER P1-1039

ORBITRAL ASSEMBLY / 7-122-01
SS-636 / SS-842 / SS-1048

PAGE
NUMBER 55A



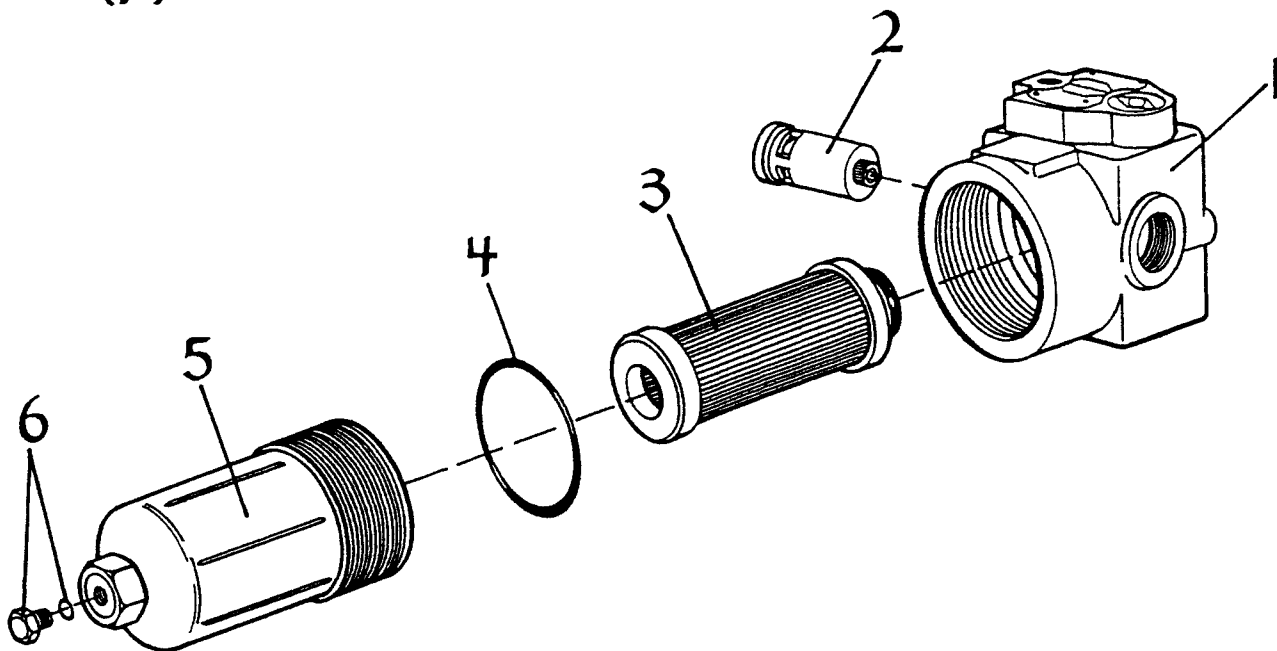
ITEM	NUMBER	DESCRIPTION	REQD
1		SHAFT	1
2	7-359-06	BACK UP RING - SHAFT	1
3	7-359-07	O-RING - SHAFT	1
4		HOUSING	1
5		THRUST WASHER	1
6	7-359-08	THRUST BEARING	1
7	7-359-09	ROTOR	1
8	7-359-10	BALL - DETENT	1
9	7-359-11	O-RING - HOUSING	1
10	7-359-12	SPRING - DETENT	1
11		WASHER - SPACER	1
12		SCREW - BODY	4
13		BODY	1
14	7-359-13	SPRING - PRESS. SEAL	4
15	7-359-14	PRESSURE SEAL	4
16	7-359-07	O-RING - PRESS. SEAL	4
17	7-359-06	BACK UP RING - PRESS. SEAL	8
18		PIN - LOCATING	1
19		ROLL PIN - ROTOR	1
20		NAMEPLATE	1
21		KNOB - HANDLE	1
22		HANDLE	1
23		SET SCREW	2

DRAWING
NUMBER P4-1940

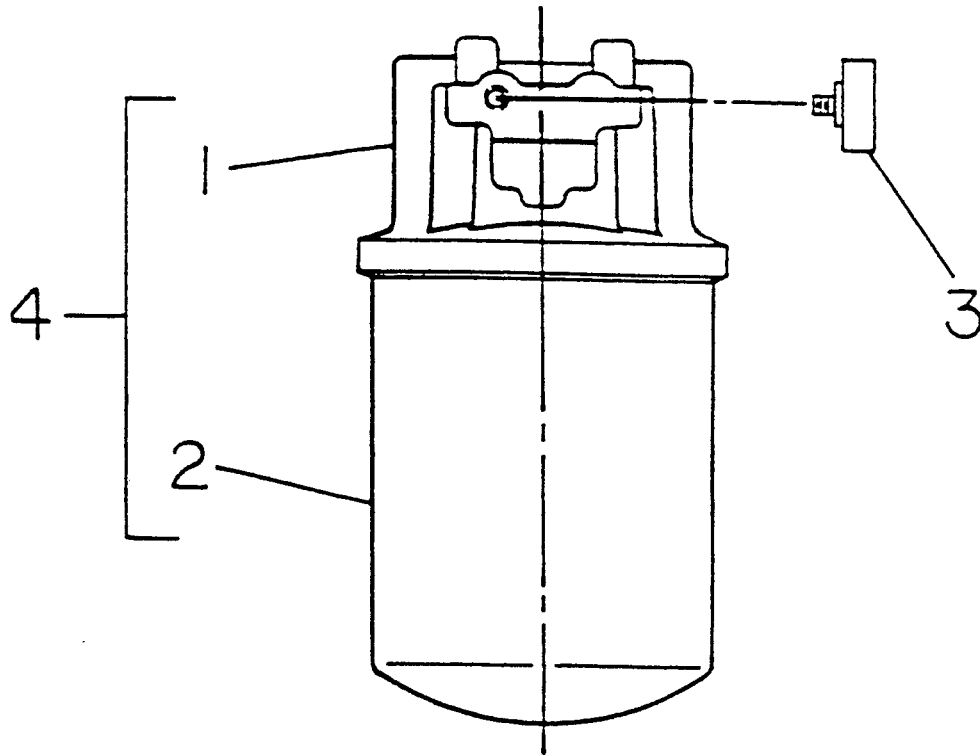
STEERING SELECTOR VALVE / 7-359-01
SS-636 / SS-842 / SS-1048

PAGE
NUMBER 56A

(7) INDICATOR SEAL KIT



ITEM	NUMBER	DESCRIPTION	REQD
1	7-256-17	HEAD ASSEMBLY	1
2	7-256-18	BY-PASS VALVE	1
3	7-256-04	ELEMENT & O-RING	1
4	7-256-19	O-RING / BOWL	1
5	7-256-20	BOWL	1
6	7-256-21	DRAIN PLUG & O-RING	1
7	7-256-22	SEAL KIT / INDICATOR	REF

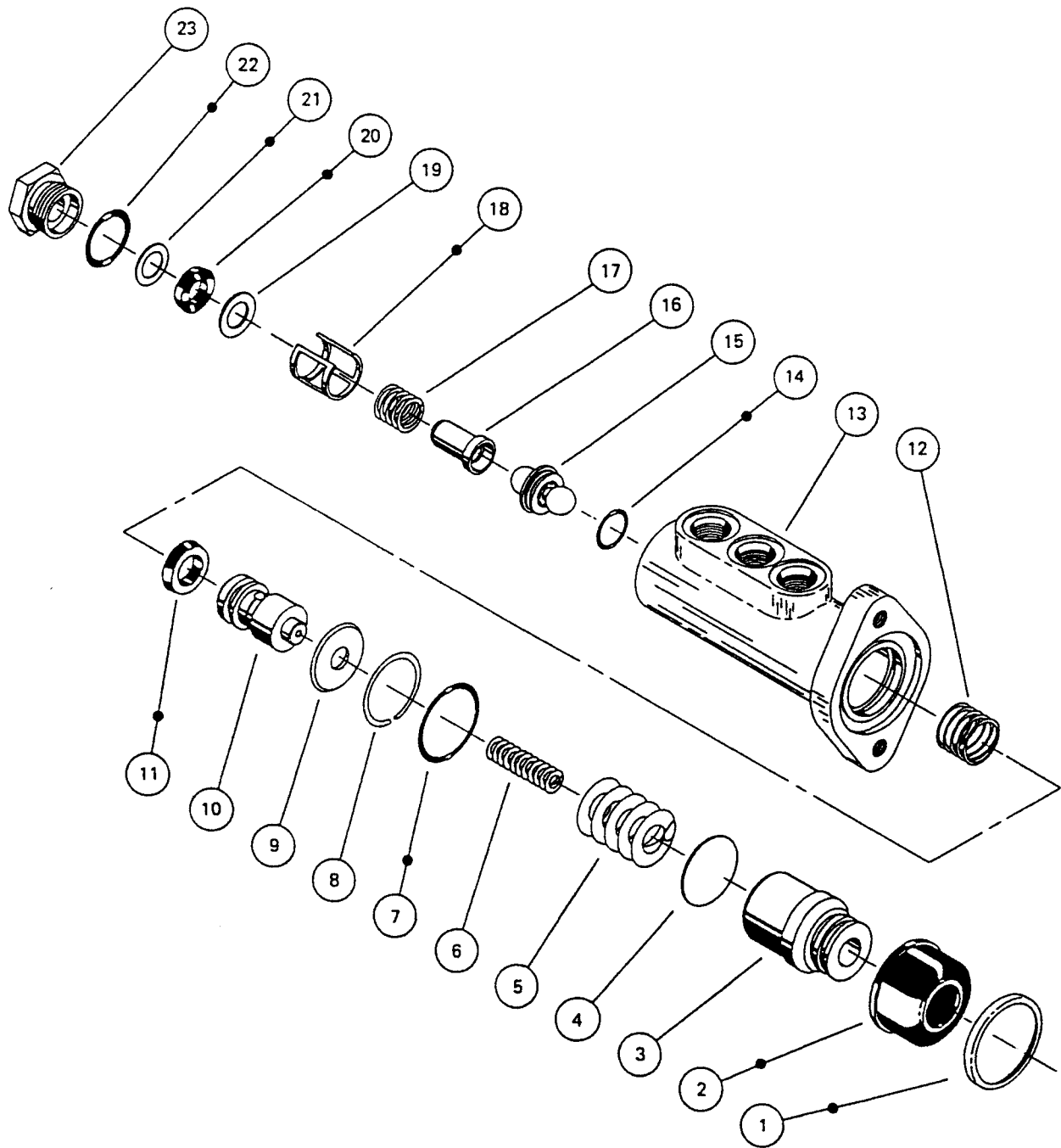


ITEM	NUMBER	DESCRIPTION	REQD
1	7-256-24	HEAD	1
2	7-256-05	ELEMENT & O-RING	1
3	7-272-10	GAGE	1
4	7-256-23	FILTER ASSEMBLY	1

DRAWING
NUMBER P1-1060

RETURN FILTER ASSEMBLY / 7-256-23
SS-636 / SS-842 / SS-1048

PAGE
NUMBER 58



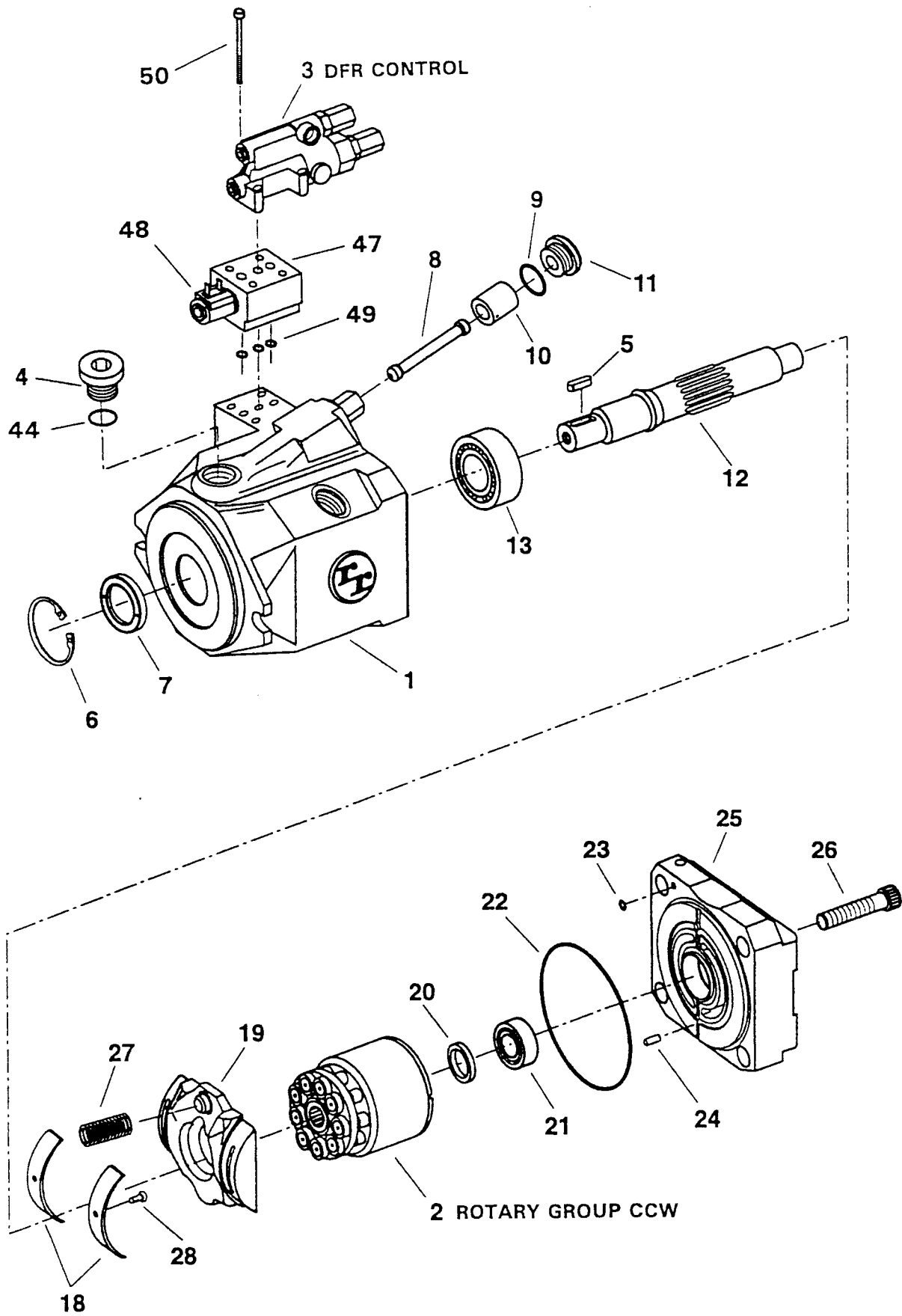
59 PAGE NUMBER	BRAKE VALVE ASSEMBLY / 7-198-39 SS-636 / SS-842 / SS-1048	DRAWING NUMBER P1-1069
----------------	--	------------------------

ITEM	NUMBER	DESCRIPTION	REQD
1	7-198-09	RING	1
2	7-198-20	BOOT	1
3	7-198-04	PISTON	1
4		SHIM / ITEMS 25-28	
5	7-198-10	SPRING	1
6		SPRING / NOT USED THIS MODEL	
7	7-198-21	O-RING	1
8	7-198-11	RETAINER RING	1
9	7-198-22	WASHER	1
10	7-198-12	PISTON	1
11	7-198-13	CUP	1
12	7-198-14	SPRING	1
13	7-198-30	HOUSING	1
14	7-198-15	O-RING	1
15	7-198-35	VALVE & BALL ASSEMBLY	1
16	7-198-27	GUIDE	1
17	7-198-17	SPRING	1
18	7-198-16	SPACER SHEEVE	1
19	7-198-28	WASHER	1
20	7-198-18	CUP	1
21	7-198-29	BACK-UP RING	1
22	7-198-19	O-RING	1
23	7-198-31	PLUG	1
24			
25	7-198-05	SHIM / AS REQD	
26	7-198-06	SHIM / AS REQD	
27	7-198-07	SHIM / AS REQD	
28	7-198-08	SHIM / AS REQD	
29			
30	7-198-40	KIT-ITEMS 1, 2, 7, 11, 14, 18, 20, 21, & 22	

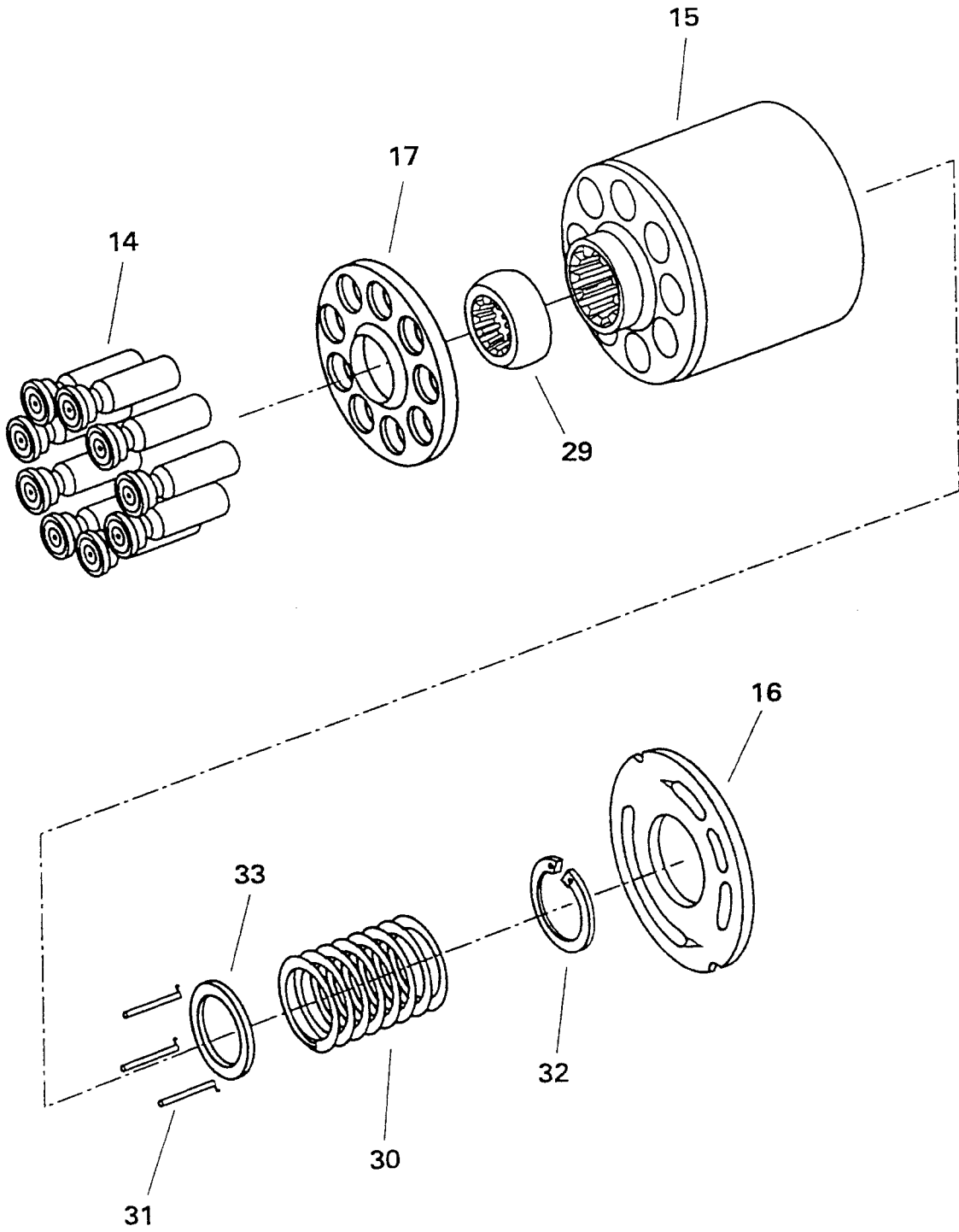
DRAWING
NUMBER P1-1069

BRAKE VALVE ASSEMBLY / 7-198-39
SS-636 / SS-842 / SS-1048

PAGE
NUMBER 59A



ITEM 2
ROTARY GROUP CCW
PARTS BREAKDOWN

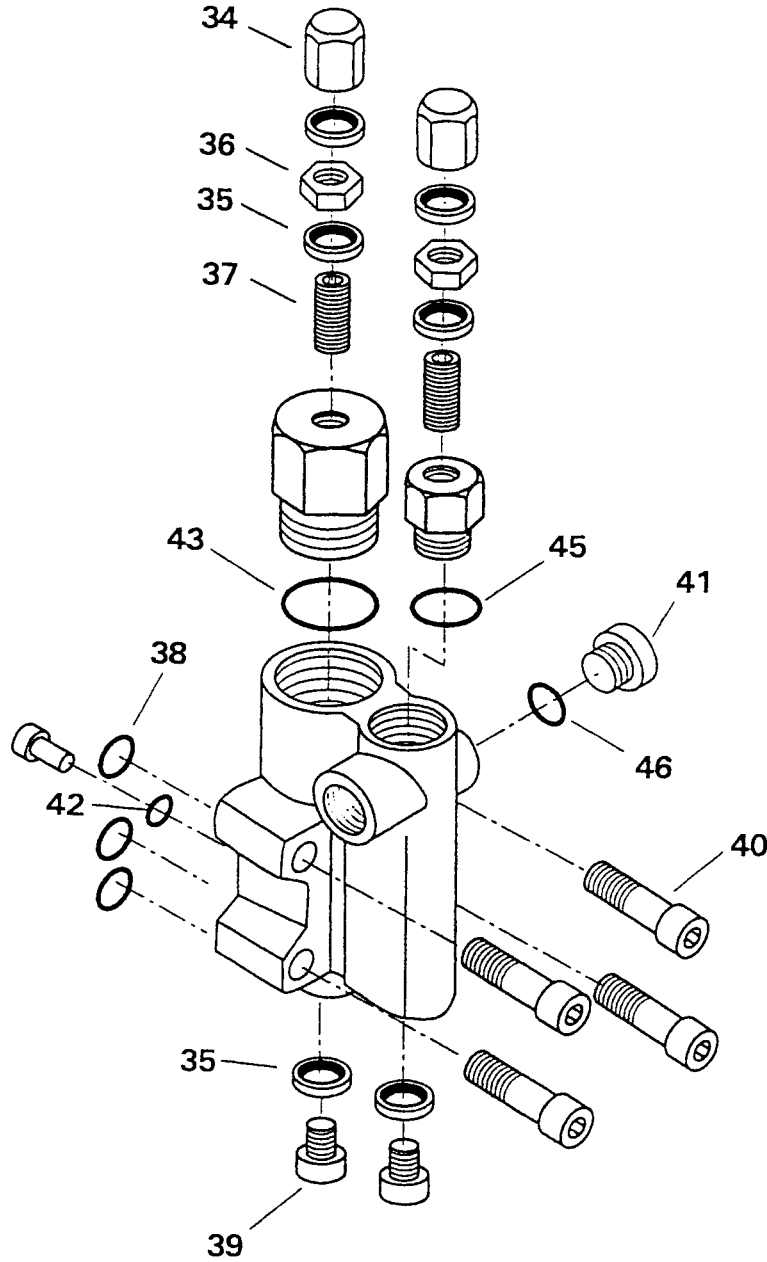


DRAWING NUMBER P4-1774

HYRAULIC PUMP ASSEMBLY / 7-345-01
SS-636, SS-842, and SS-1048

PAGE NUMBER 60A

ITEM 3
 DFR CONTROL
 PARTS BREAKDOWN



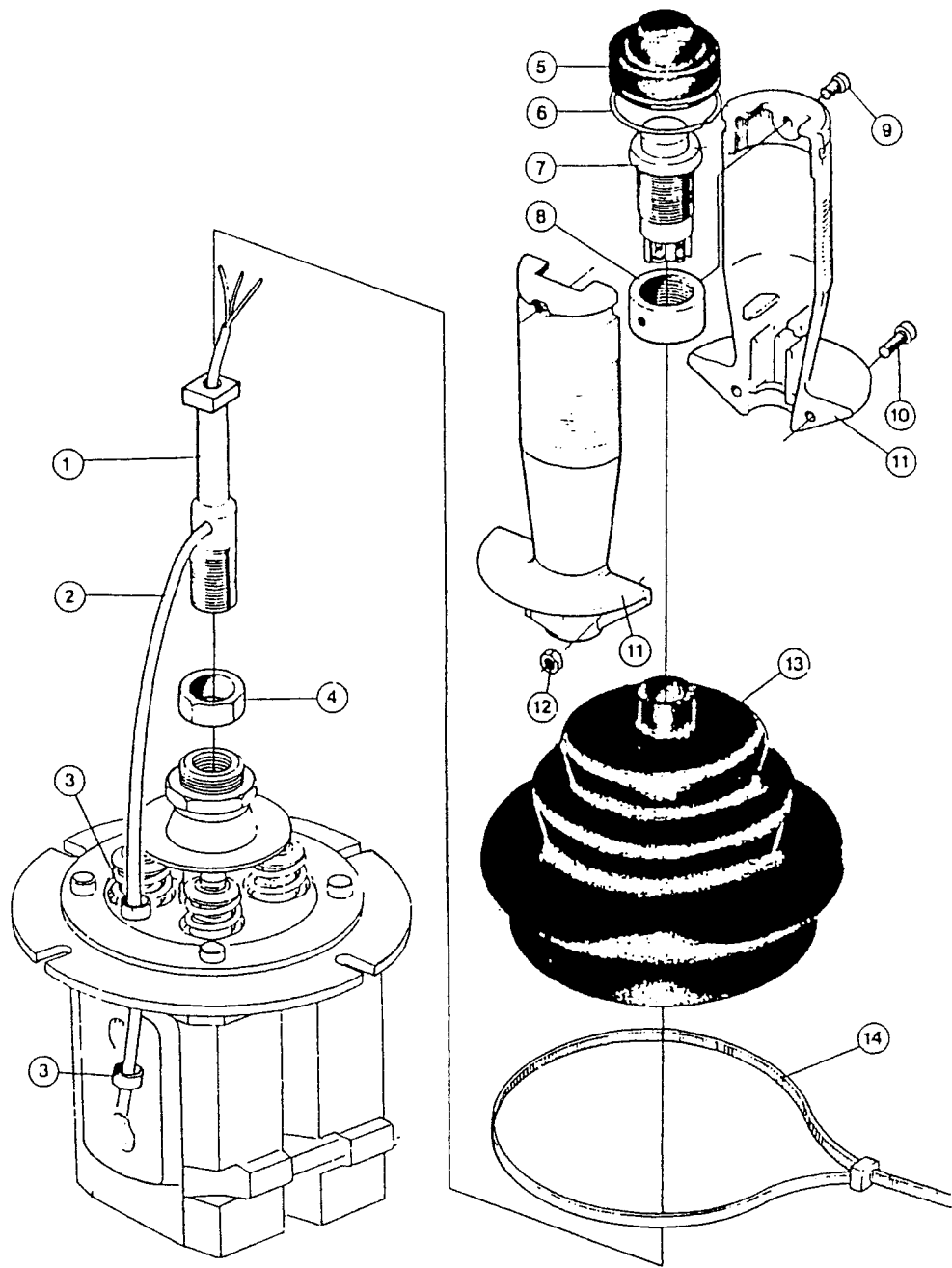
ITEM	NUMBER	DESCRIPTION	REQD
1	7-345-02	HOUSING ASSEMBLY	1
2	7-345-03	ROTARY GROUP CCW	1
3	7-345-04	DFR CONTROL	1
4	7-345-05	PLUG	1
5	7-345-07	KEY	1
6	7-345-08	SNAP RING	1
7	7-345-09	SHAFT SEAL (*)	1
8	7-345-10	ROD	1
9	7-345-11	O-RING (*)	1
10	7-345-12	PISTON	1
11	7-345-13	PLUG	1
12	7-345-14	SHAFT	1
13	7-345-15	TAPERED ROLLER BEARING	1
14	7-345-27	PISTON	9
15	7-345-28	BARREL	1
16	7-345-29	LENS PLATE	1
17	7-345-30	RETAINING PLATE	1
18	7-345-16	SWASH PLATE BEARING	2
19	7-345-17	SWASH PLATE	1
20	7-345-18	PRELOAD SHIM	1
21	7-345-19	TAPERED ROLLER BEARING	1
22	7-345-20	O-RING (*)	1
23	7-345-21	QUAD RING (*)	2
24	7-345-22	DOWEL PIN	1
25	7-345-23	BLOCK PORT ASSEMBLY	1
26	7-345-24	CAPSCREW	4
27	7-345-25	SPRING	1
28	7-345-26	SCREW	2
29	7-345-31	RETAINING BALL	1
30	7-345-32	SPRING	1
31	7-345-33	PRESSURE PIN	3
32	7-345-34	SEGER V-RING	1
33	7-345-35	DISC-RETAINING CLIP	1
34	7-345-36	ACORN NUT	2
35	7-345-37	USIT RING (*)	6
36	7-345-38	JAM NUT	2
37	7-345-39	ADJUSTING SCREW	2
38	7-345-40	O-RING (*)	3
39	7-345-41	PLUG	2
40	7-345-42	CAPSCREW	4
41	7-345-43	PLUG	1
42	7-345-45	O-RING (*)	1
43	7-345-46	O-RING (*)	1
44	7-345-06	O-RING (*)	1
45	7-345-47	O-RING (*)	1
46	7-345-44	O-RING (*)	1
47	7-345-49	BLOCK	1
48	7-345-50	CARTRIDGE / 3-WAY	1
49	7-345-52	O-RING	3
50	7-345-53	BOLT	4
51	7-345-48	SEAL KIT / ITEMS MARKED (*)	REF
52	7-345-51	SEAL KIT (FOR ITEM #48)	REF

DRAWING
NUMBER

P4-1774

HYRAULIC PUMP ASSEMBLY / 7-345-01
SS-636, SS-842, and SS-1048

PAGE
NUMBER 60C

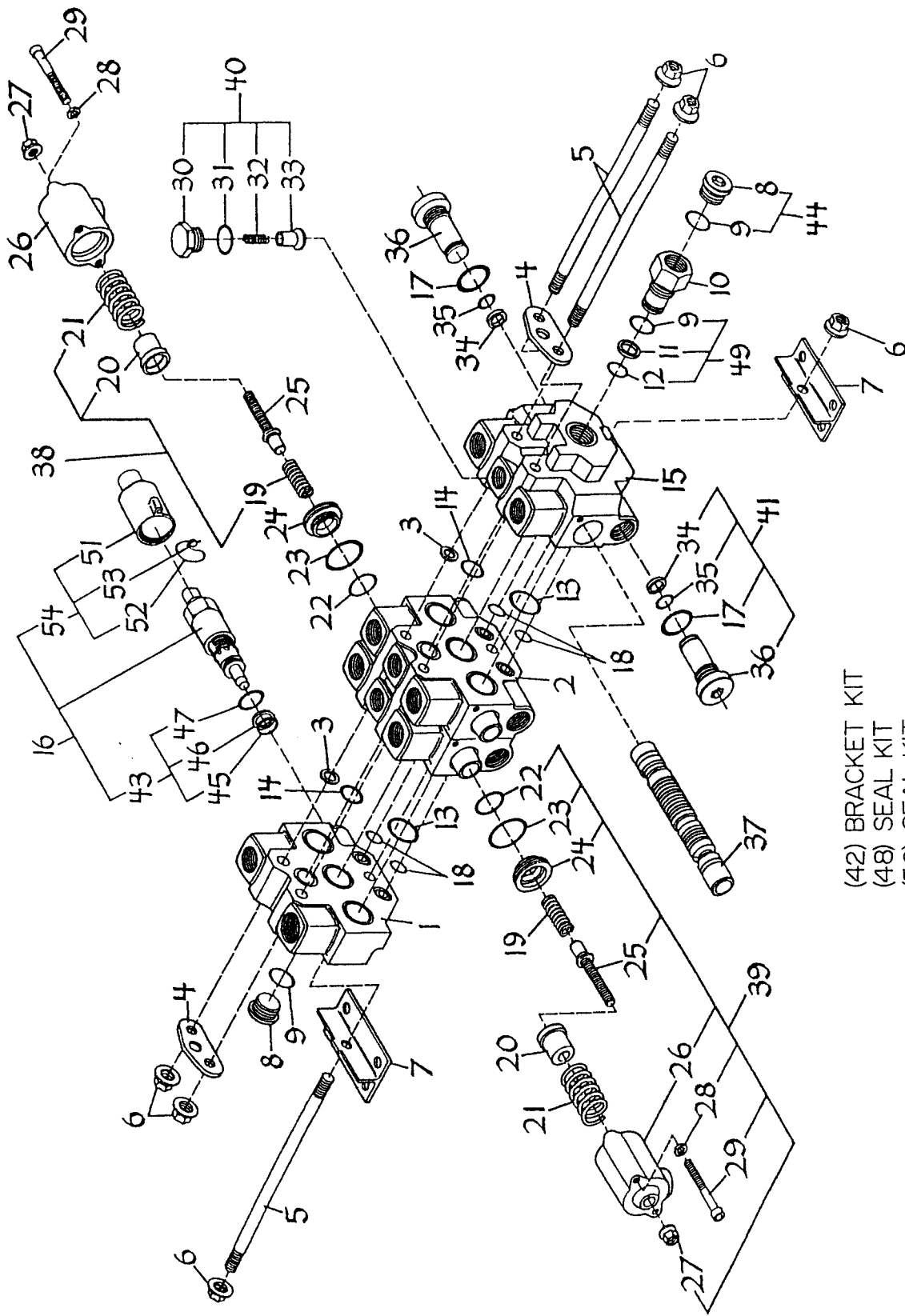


ITEM	NUMBER	DESCRIPTION	REQD
1	7-200-140	BENT LEVER / 15° (NOT SHOWN)	1
2	7-200-17	WIRE	1
3	7-200-18	WIRE CLAMP	2
4	7-200-16	NUT	1
5	7-200-09	SEALING CAP	1
6	7-200-10	LOCK RING	1
7	7-200-07	SWITCH	1
8	7-200-72	SWITCH MOUNTING RING	1
9	7-200-11	SCREW	2
10	7-200-12	SCREW	2
11	7-200-14	HANDLE / 2 PARTS	1
12	7-200-13	NUT	2
13	7-200-05	BELLOWS	1
14	7-200-19	CLAMPING RING	1
15	7-200-15	HANDLE KIT (ITEM 1 and 5 THRU 14)	REF

DRAWING
NUMBER P1-1230

HANDLE ASSEMBLY / 4-WAY CONTROLLER
ALL MACHINES

PAGE
NUMBER 61A



(42) BRACKET KIT
 (48) SEAL KIT
 (50) SEAL KIT

ITEM	NUMBER	DESCRIPTION	REQD
1	7-200-117	INLET SECTION with SPOOL	1
2	7-200-118	CONTROL SECTION with SPOOLS	1
3	7-200-50	SPACER	6
4	7-200-91	LIFTING LUG	2
5	7-200-44	TIE ROD	3
6	7-200-45	FLANGE NUT	6
7	7-200-46	BRACKET	2
8	7-200-39	PLUG	2
9	7-200-92	O-RING	3
10	7-200-38	ADAPTER	1
11	7-200-93	BACK-UP RING	1
12	7-200-94	O-RING	1
13	7-200-95	O-RING	6
14	7-200-96	O-RING	2
15	7-200-119	OUTLET SECTION with SPOOL	1
16	7-200-120	MAIN RELIEF ASSEMBLY	1
17	7-200-52	O-RING	6
18	7-200-97	O-RING	4
19	7-200-98	SPRING	6
20	7-200-99	CASING / SPRING CENTERING	6
21	7-200-100	SPRING / CENTERING	6
22	7-200-101	O-RING	6
23	7-200-102	O-RING	6
24	7-200-103	SUPPORT RING	6
25	7-200-104	ADJUSTING SCREW	6
26	7-200-105	CAP	6
27	7-200-61	FLANGE NUT	6
28	7-200-62	WASHER	12
29	7-200-63	SCREW	12
30	7-200-64	PLUG	3
31	7-200-106	O-RING	3
32	7-200-66	SPRING	3
33	7-200-107	POPPET	3
34	7-200-68	BACK-UP RING	6
35	7-200-69	O-RING	6
36	7-200-70	Y-PLUG	6
37		SPOOL (with items 2 and 15)	3
38	7-200-108	SPRING KIT (ITEMS 19, 20, & 21)	REF
39	7-200-109	CAP ASSY (ITEMS 22 THRU 29)	REF
40	7-200-76	CHECK VALVE ASSY (ITEMS 30 THRU 33)	REF
41	7-200-77	Y-PLUG ASSY (ITEMS 17, 34, 35, & 36)	REF
42	7-200-110	BRACKET KIT (ITEMS 4, 6, & 7)	REF
43	7-200-111	SEAL KIT (ITEMS 45, 46, & 47)	REF
44	7-200-78	PLUG KIT (ITEMS 8 & 9)	REF
45	7-200-112	O-RING	1
46	7-200-113	BACK-UP RING	1
47	7-200-52	O-RING	1
48	7-200-114	SEAL KIT (ITEMS 22, 23, & 27)	REF
49	7-200-115	SEAL KIT (ITEMS 9, 11, & 12)	REF
50	7-200-116	SEAL KIT (ITEMS 3, 13, 14, & 18)	REF
51	7-200-121	SEALING CAP	1
52	7-200-122	SEALING WIRE	1
53	7-200-123	SEALING LEAD	1
54	7-200-124	SEALING CAP KIT (ITEMS 51, 52, & 53)	REF

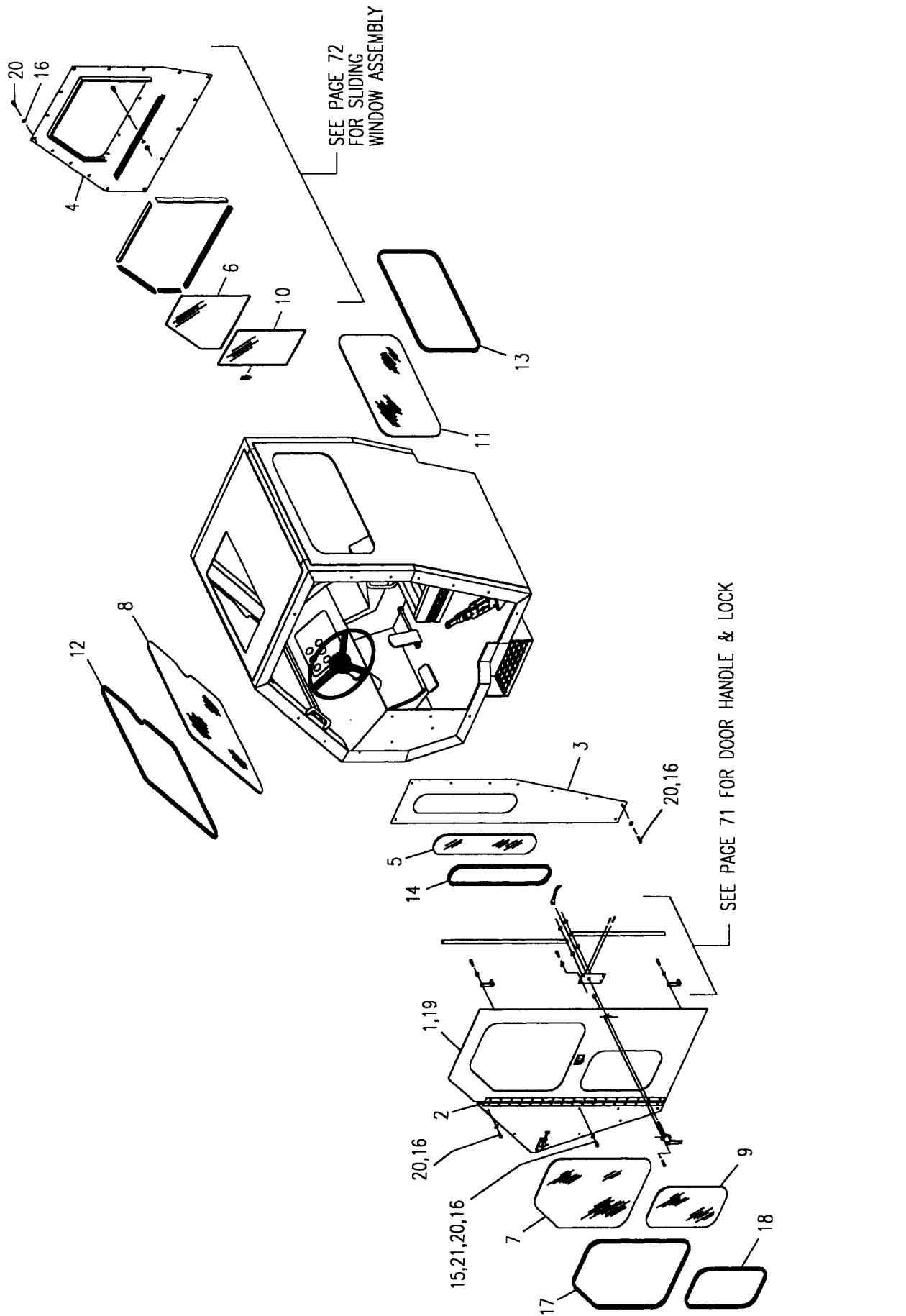
DRAWING
NUMBER

P4-1425

MAIN VALVE ASSEMBLY / 7-200-80
SS-636 / SS-842 / SS-1048

PAGE
NUMBER 62A

OPTIONAL EQUIPMENT SECTION

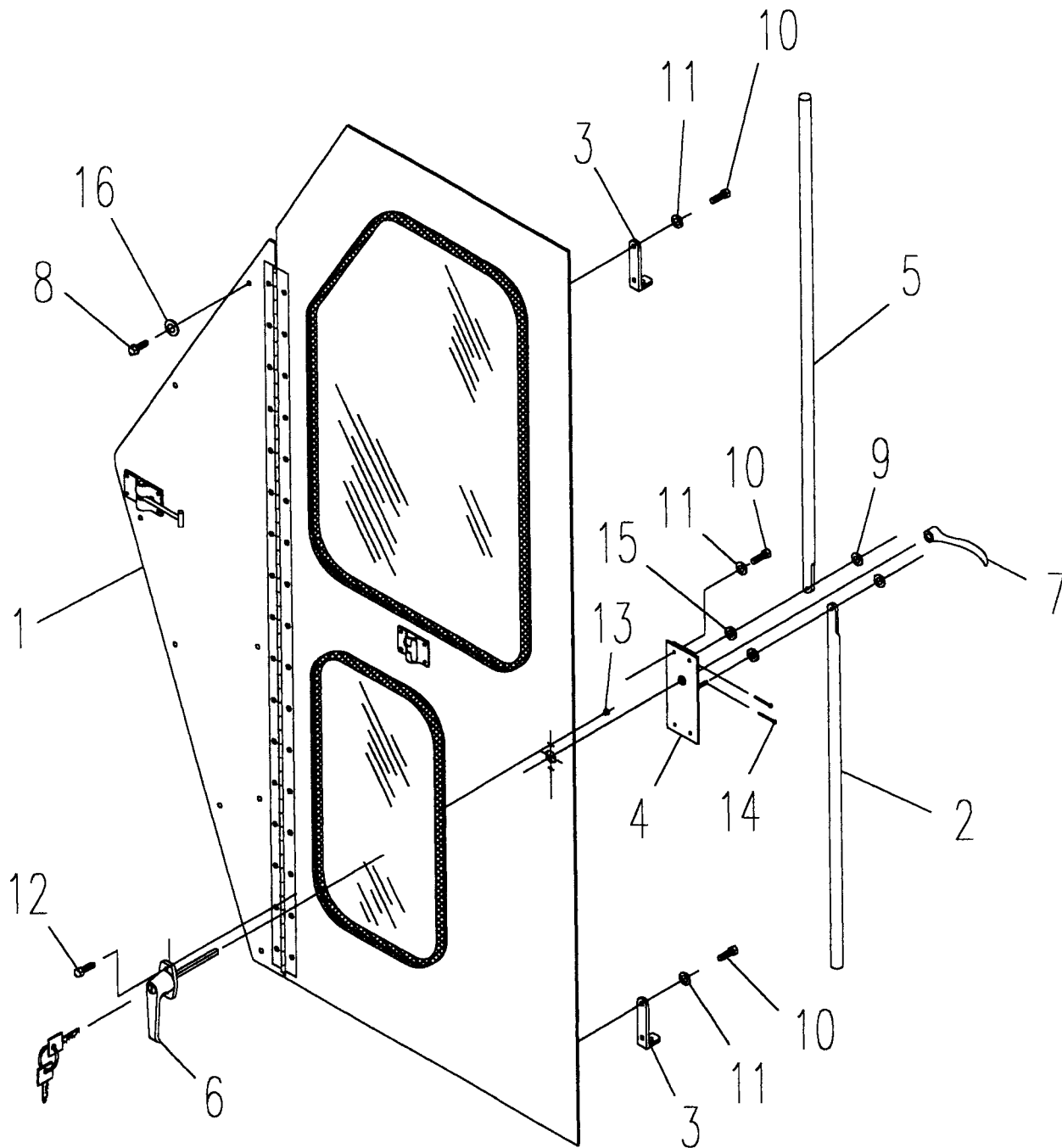


ITEM	NUMBER	DESCRIPTION	REQD
1	4-1561	DOOR WELDMENT	1
2	2-1124-2	HINGE / REF. ONLY	REF
3	4-1568	REAR PANEL / DOOR SIDE	1
4	4-1562	PANEL / SLIDING WINDOW	1
5	6-3910-01	GLASS / REAR PANEL-DOOR SIDE	1
6	6-3910-05	GLASS / RH FRONT / SLIDING	1
7	6-3910-03	GLASS / DOOR (UPPER)	1
8	6-3910-04	GLASS / WINDSHIELD	REF
9	6-4110-01	GLASS / DOOR (LOWER)	1
10	6-4010-05	GLASS / RH REAR / SLIDING	1
11	6-4110-04	GLASS / REAR PANEL	REF
12	6-9608-991	RUBBER / WINDSHIELD	REF
13	6-9608-668	RUBBER / REAR WINDOW	REF
14	6-9608-520	RUBBER / REAR PANEL-DOOR SIDE	1
15	6-6212-05	FLATWASHER 5/16	4
16	6-6212-04	FLATWASHER 1/4	33
17	6-9608-700	RUBBER / DOOR (UPPER)	1
18	6-9608-448	RUBBER / DOOR (LOWER)	1
19	7-194-49	WEATHERSTRIP 5/32 x 3/8 x 10 FT.	1
20	7-194-47	SELF-TAPPING SCREW 5/16 NC x 3/4	33
21	6-6201-05	HEX NUT 5/16 NC	4

DRAWING
NUMBER P4-1539

CAB ASSEMBLY / SLIDING WINDOW
ALL MACHINES w/ NEW CANOPY

PAGE
NUMBER 70A

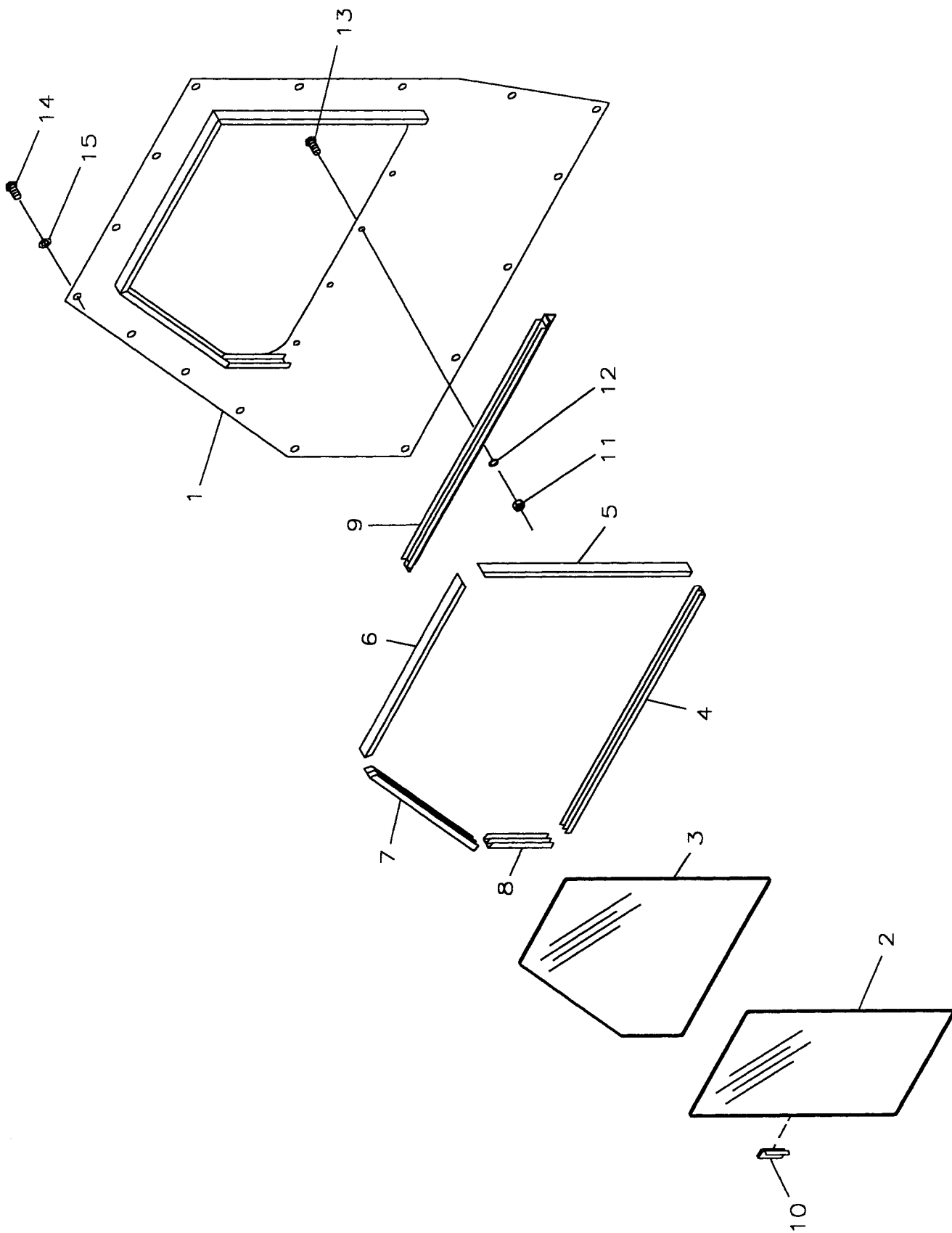


ITEM	NUMBER	DESCRIPTION	REQD
1	4-1561	DOOR WELDMENT	REF
2	2-1069	LOWER CATCH ROD (MODIFIED)	1
3	1-1077	ROD GUIDE (MODIFIED)	1
4	7-294-01	LOCK ASSEMBLY (ITEMS 4, 14, & 15)	1
5	1-1099	UPPER CATCH ROD (MODIFIED)	1
6	1-1078	4 IN. LOCKING HANDLE (MODIFIED)	1
7	7-294-03	INSIDE HANDLE	1
8	7-194-47	SELF-TAPPING SCREW 5/16 NC x 3/4	REF
9	6-6286-12	FLATWASHER #10	2
10	6-5204-05	CAPSCREW 1/4 NC x 5/8 LG.	6
11	6-6211-04	LOCKWASHER 1/4	6
12	6-6284-10	MACHINE SCREW #10-24 x 5/8 LG. SS	2
13	6-6286-04	HEX NUT #10-24 SS	2
14	-----	COTTER PIN (With Item 4)	(2)REF
15	-----	RUBBER WASHER (With Item 4)	(2)REF
16	6-6212-04	FLATWASHER 1/4	REF

DRAWING
NUMBER P4-1580

CAB DOOR ASSEMBLY
SS-842 & SS-1048 w/ NEW CANOPY

PAGE
NUMBER 71A

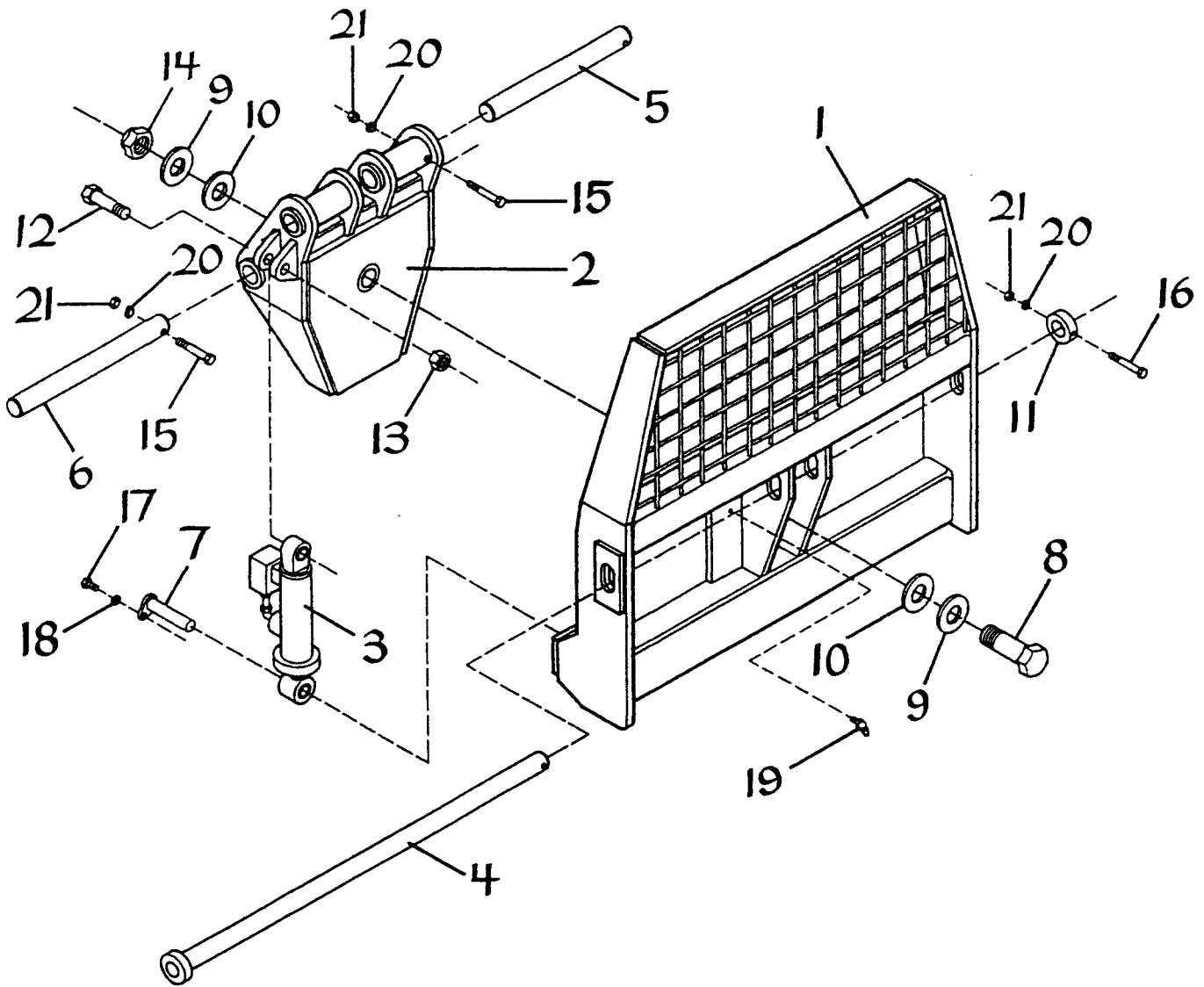


ITEM	NUMBER	DESCRIPTION	REQD
1	4-1562	PANEL / SLIDING WINDOW	1
2	6-4010-01	GLASS / RH REAR / SLIDING	1
3	6-3910-05	GLASS / RH FRONT / SLIDING	1
4	6-9614-240	RUBBER CHANNEL	1
5	6-9614-181	RUBBER CHANNEL	1
6	6-9614-177	RUBBER CHANNEL	1
7	6-9614-147	RUBBER CHANNEL	1
8	6-9614-54	RUBBER CHANNEL	1
9	4-1562-1	CHANNEL WELDMENT / REMOVABLE	REF
10	7-226-03	HANDLE / SLIDING WINDOW	1
11	6-6201-04	HEX NUT 1/4 NC	5
12	6-6211-04	LOCKWASHER 1/4	5
13	6-5204-06	CAPSCREW 1/4 NC x 3/4 LG.	5
14	7-194-47	SELF-TAPPING SCREW 5/16 NC x 3/4	16
15	6-6212-04	FLATWASHER 1/4	16

DRAWING
NUMBER P4-1581

SLIDING WINDOW ASSEMBLY
ALL MACHINES w/ NEW CANOPY

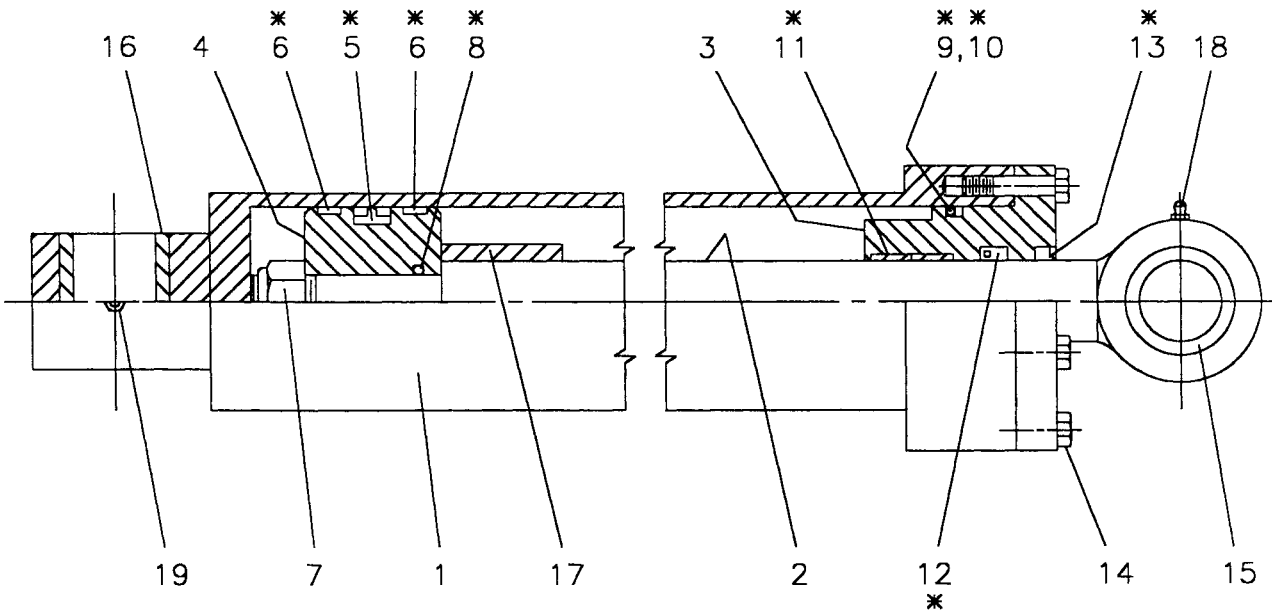
PAGE
NUMBER 72A



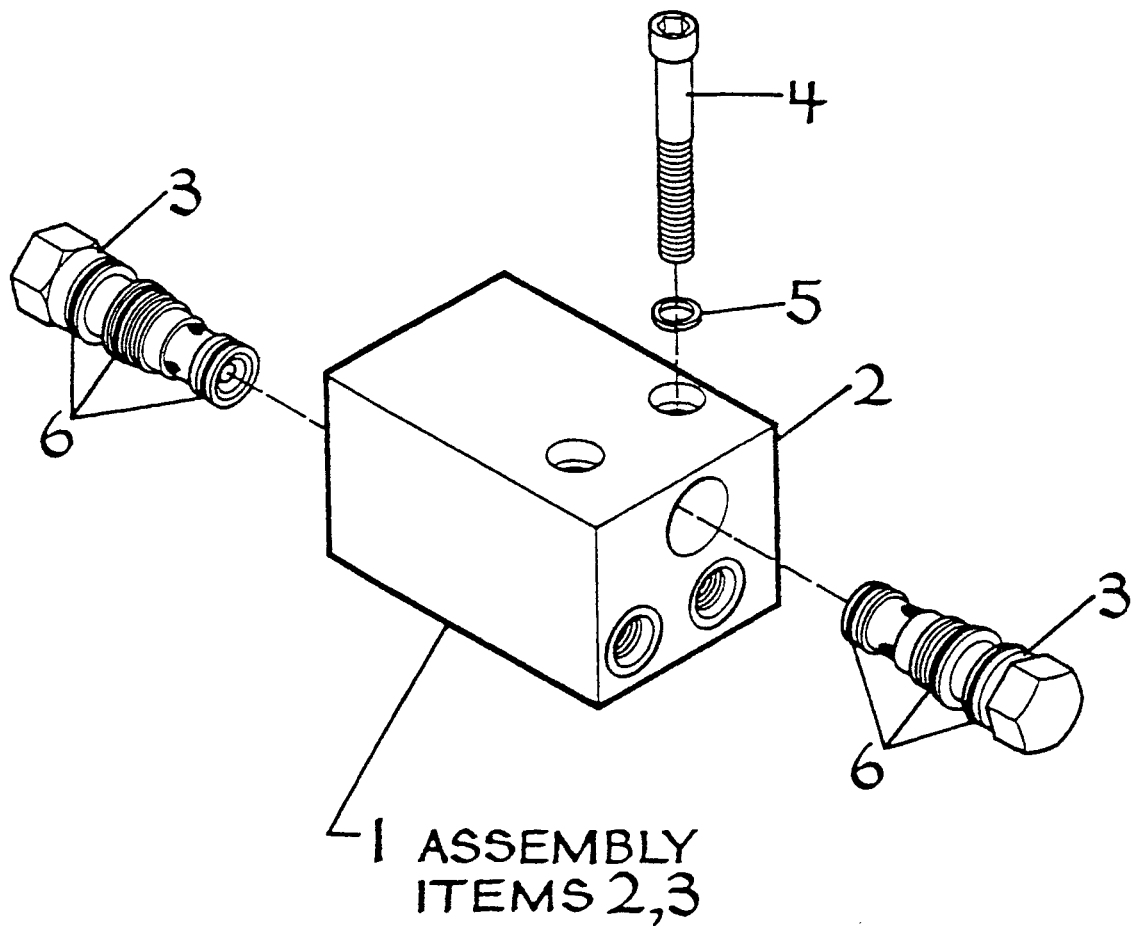
ITEM	NUMBER	DESCRIPTION	REQD
1	SEE TABLE	ROTATING FORK FRAME	REF
2	4-1528	PIVOT FRAME / SS-842	1
3	7-316-05	CYLINDER / ROTATE	1
4	SEE TABLE	PIN / FORK TINE	REF
5	6-3016-01	PIN / HEAD END TILT CYLINDER	1
6	6-3316-168	PIN / PIVOT SMALL BOOM	REF
7	2-1066	PIN / HEAD END ROTATE CYLINDER	1
8	1-1072	BOLT / FORK FRAME ROTATE	1
9	1-1073	WASHER / STEEL	2
10	6-6600-06	WASHER / BRONZE	2
11	1-1074	COLLAR / FORK PIN	REF
12	1-1071	BOLT / BASE END ROTATE CYLINDER	1
13	6-6206-20	NUT / BASE END ROTATE CYLINDER	1
14	7-280-02	NUT / FORK FRAME ROTATE	1
15	6-5208-30	CAPSCREW 1/2 NC x 3 3/4 LG.	REF
16	6-5208-36	CAPSCREW 1/2 NC x 4 1/2 LG.	REF
17	6-5206-08	CAPSCREW 3/8 NC x 1 LG.	1
18	6-6211-06	LOCKWASHER 3/8	1
19	6-6301	LUBE FITTING 1/8 NPT STR.	3
20	6-6211-08	LOCKWASHER 1/2	REF
21	6-6201-08	HEX NUT 1/2 NC	REF
22	4-1118-16	ROTATE STOP (NOT SHOWN)	1

TABLE

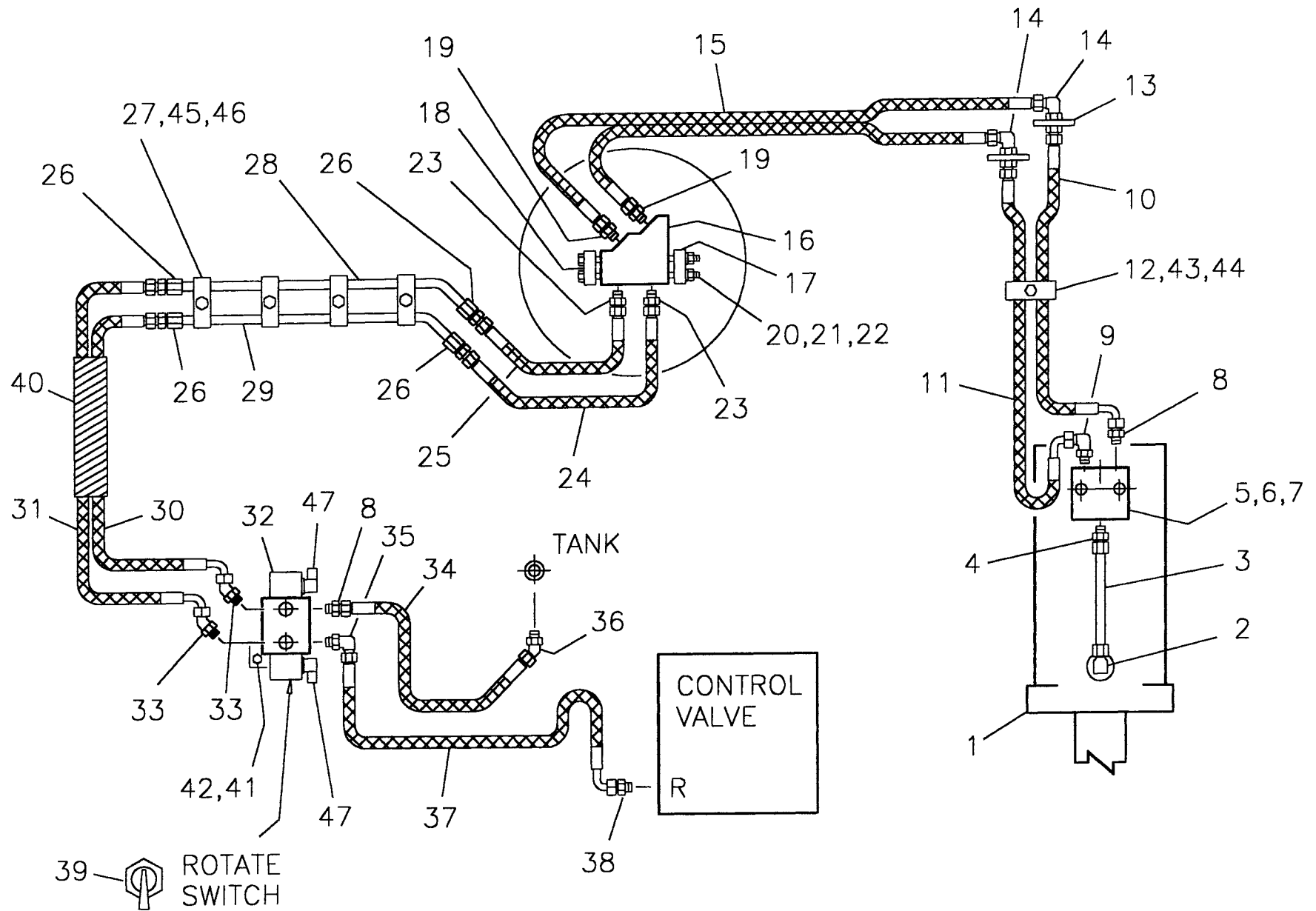
FORK FRAME WIDTH	ROTATING FORK FRAME PART NUMBER	FORK TINE PIN PART NUMBER
48" WIDE	4-1118	2-1067-10
60" WIDE	4-1292	2-1067-12
72" WIDE	4-1170	2-1067-11



ITEM	NUMBER	DESCRIPTION	REQD
1	7-316-136	TUBE WELDMENT	1
2	7-316-119	SHAFT	1
3	7-316-99	HEAD	1
4	7-316-109	PISTON	1
5	7-316-51	SEAL / PISTON (*)	1
6	7-316-62	WEAR RING / PISTON (*)	2
7	7-316-72	SELF-LOCKING NUT	1
8	7-316-77	O-RING / STUB SHAFT (*)	1
9	7-316-88	O-RING / HEAD (*)	1
10	7-316-89	BACK-UP RING / HEAD (*)	1
11	7-316-42	WEAR RING / HEAD (*)	2
12	7-316-22	SEAL / SHAFT (*)	1
13	7-316-32	WIPER / SHAFT (*)	1
14	7-316-95	CAPSCREW 7/16	4
15	7-316-158	BRONZE BUSHING / Ref 6-4510-16	1
16	7-316-159	BRONZE BUSHING / Ref 6-4510-12	1
17	7-316-140	SPACER	1
18	7-316-150	LUBE FITTING / SHAFT END	1
19	7-316-149	LUBE FITTING / BASE END	1
20			
21	7-900-25	SEAL KIT / ITEMS MARKED (*)	REF



ITEM	NUMBER	DESCRIPTION	REQD
1	7-234-35	DUAL PILOT CHECK VALVE ASSEMBLY	1
2	7-234-46	BODY	1
3	7-234-18	CARTRIDGE / PILOT CHECK	2
4	6-5605-20	CAPSCREW SH 5/16 NC x 2 1/2 LG.	2
5	6-6214-05	LOCKWASHER 5/16 HI-COLLAR	2
6	7-234-29	SEAL KIT	2



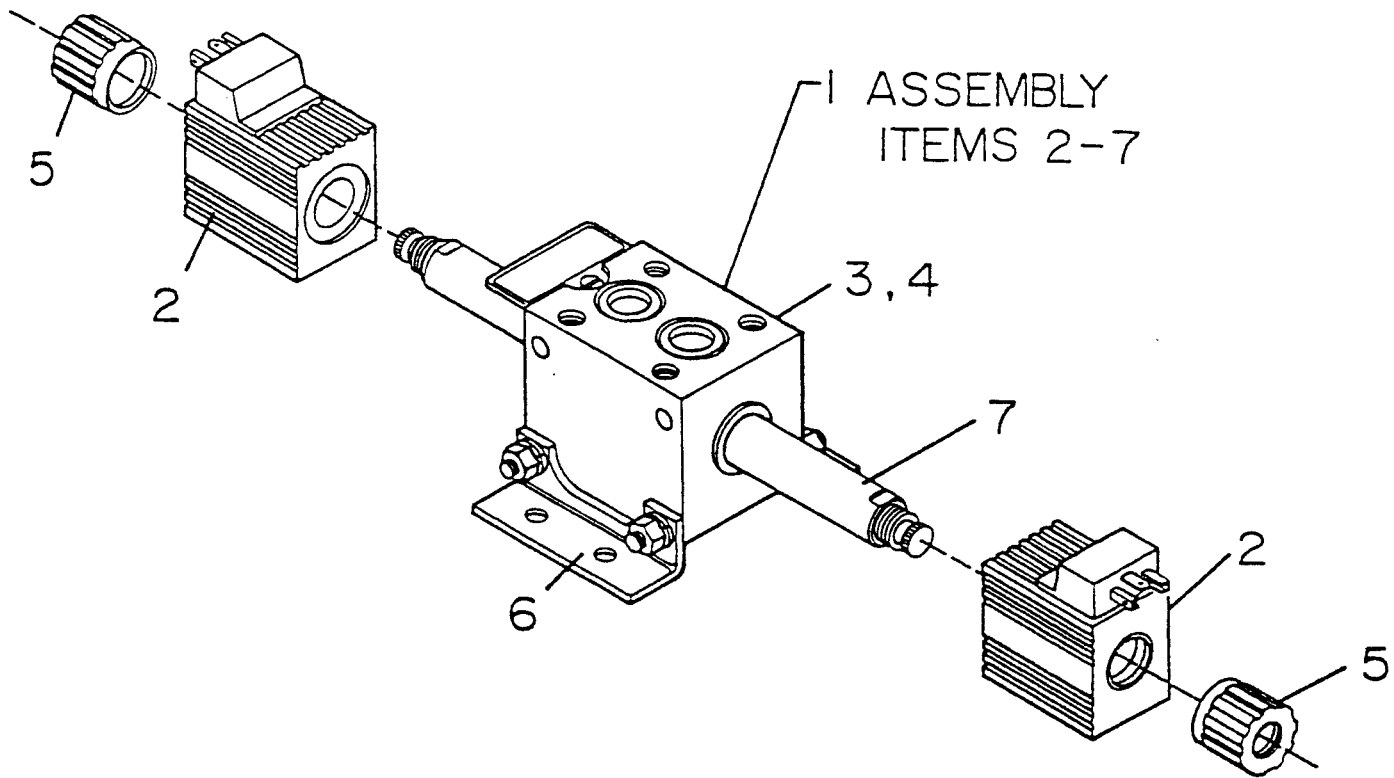
ITEM	NUMBER	DESCRIPTION	REQD
1	7-316-05	CYLINDER / ROTATE	REF
2	6-6493-02	FITTING / 06 OR x 06 TUBE 90	1
3	6-6501-32	TUBING 3/8 x 4 LG.	1
4	6-6492-02	FITTING / 06 OR x 06 TUBE STR	1
5	7-234-35	DUAL CHECK VALVE	1
6	6-5605-20	CAPSCREW / SH 5/16 NC x 2 1/2 LG.	2
7	6-6214-05	LOCKWASHER 5/16 HI-COLLAR	2
8	6-6450-08	FITTING / 06 OR x 06 JIC STR	2
9	6-6453-06	FITTING / 06 OR x 06 JIC 90	1
10	6-7023-128	HOSE / 06 x 06-90 x 64 LG.	1
11	6-7023-128	HOSE / 06 x 06-90 x 64 LG.	1
12	7-273-27	CLAMP HALF SET / 3/8 HOSE / TWIN	1
13	3-1222-1	BULKHEAD MOUNTING PLATE	1
14	6-6477-05	FITTING / 06 JIC BH-UNION 90	2
15	7-292-03	BONDED HOSE	1
16	7-292-01	HOSE REEL ASSEMBLY	1
17	1-2020	MOUNT / HOSE REEL	REF
18	1-2020	MOUNT / HOSE REEL	REF
19	6-6450-08	FITTING / 06 OR x 06 JIC STR	2
20	6-5208-36	CAPSCREW 1/2 NC x 4 1/2 LG.	2
21	6-6201-08	HEX NUT 1/2 NC	2
22	6-6211-08	LOCKWASHER 1/2	2
23	6-6450-08	FITTING / 06 OR x 06 JIC STR	2
24	6-7013-22	HOSE / 06 x 08 x 11 LG.	1
25	6-7013-22	HOSE / 06 x 08 x 11 LG.	1
26	6-6490-03	FITTING / 08 JIC x 08 TUBE STR	4
27	7-273-21	CLAMP HALF SET / 1/2 TUBE / TWIN	4
28	3-1064-5	FORMED TUBE 1/2 OD	1
29	3-1064-6	FORMED TUBE 1/2 OD	1
30	6-7043-184	HOSE / 08 x 06-90 x 92 LG.	1
31	6-7043-184	HOSE / 08 x 06-90 x 92 LG.	1
32	7-244-31	4-WAY ELECTRIC VALVE	1
33	6-6452-03	FITTING / 06 OR x 06 JIC 45	2
34	6-7003-100	HOSE / 06 x 06 x 50 LG.	1
35	6-6453-04	FITTING / 06 OR x 04 JIC 90	1
36	6-6426-10	FITTING / 08 NPT x 06 JIC 45	1
37	6-7022-62	HOSE / 04 x 04-90 x 31 LG.	1
38	6-6450-05	FITTING / 06 OR x 04 JIC STR	REF
39	7-127-04	SWITCH / ROTATE	1
40	6-9615-192	HOSE ARMOR 1.00 ID x 24 LG.	1
41	6-5204-08	CAPSCREW 1/4 NC x 1 LG.	4
42	6-6211-04	LOCKWASHER 1/4	4
43	7-273-23	TOP PLATE / 3/8 HOSE CLAMP	1
44	6-5205-14	CAPSCREW 5/16 NC x 1 3/4 LG.	1
45	7-273-23	TOP PLATE / 1/2 TUBE CLAMP	4
46	6-5205-10	CAPSCREW 5/16 NC x 1 1/4 LG.	4
47	7-244-27	DIN CONNECTOR	2

DRAWING
NUMBER

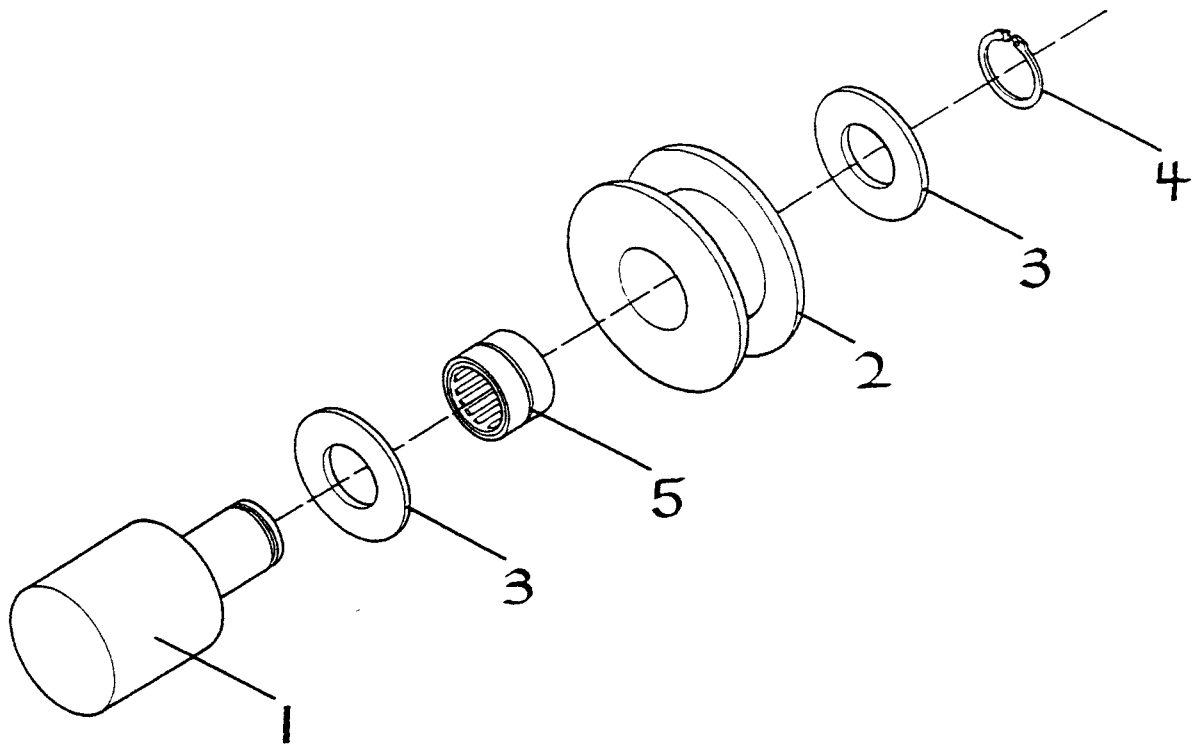
P4-1557

CIRCUIT / FORK ROTATE
SS-842 SQUARE SHOOTER

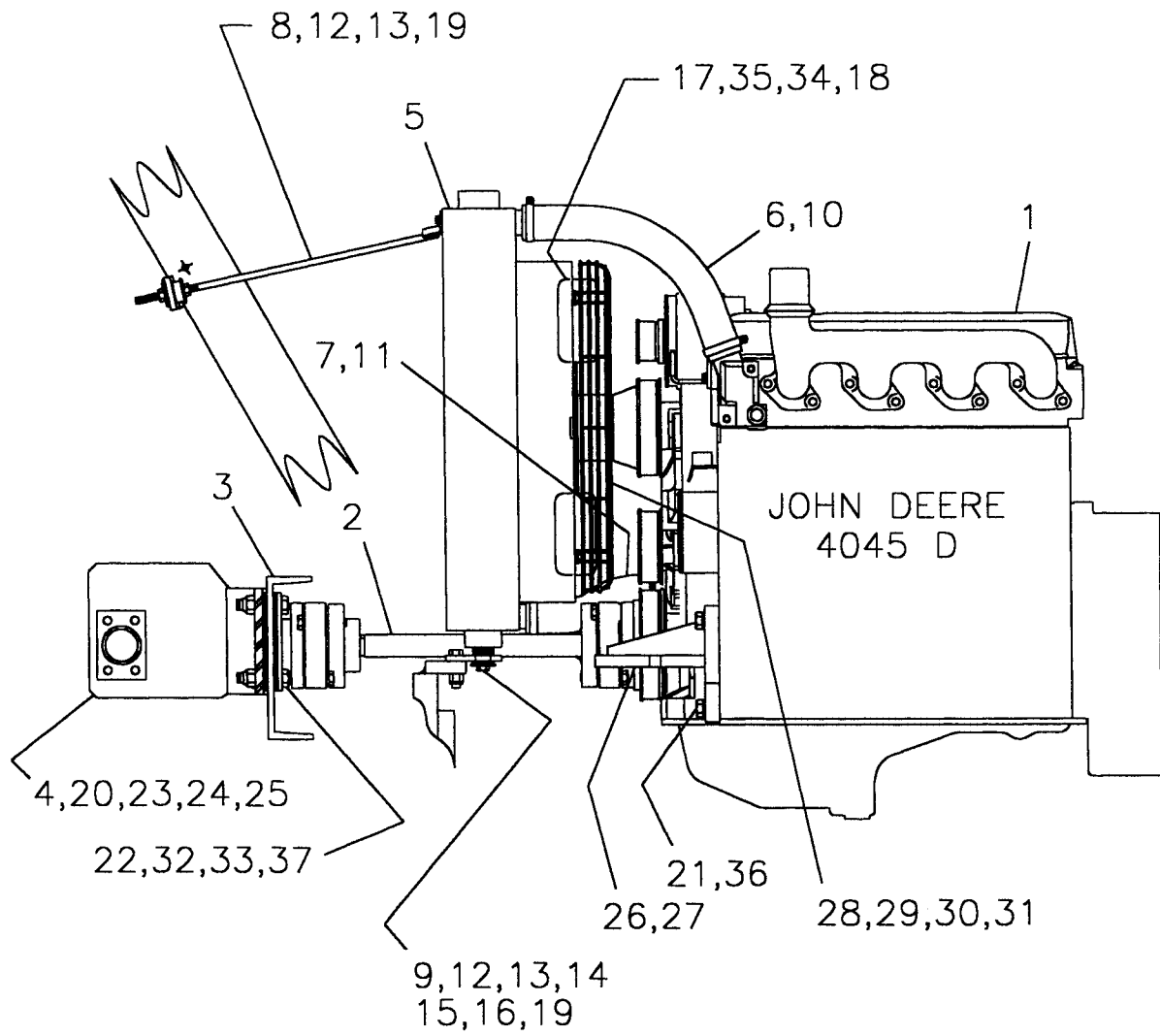
PAGE
NUMBER 76A



ITEM	NUMBER	DESCRIPTION	REQD
1	7-244-31	ELECTRIC VALVE ASSY / 4-WAY	1
2	7-244-40	COIL / DIN	2
3	7-244-17	SPOOL	1
4	7-244-18	VALVE BODY	1
5	7-244-19	END CAP	2
6	7-244-44	BRACKET ASSEMBLY	1
7	7-244-24	TUBES & PIN / SPOOL ACTUATING	1



ITEM	NUMBER	DESCRIPTION	REQD
1	3-1222-2	PIN / HOSE ROLLER	1
2	2-1065	SHEAVE	1
3	6-6600-12	BRONZE WASHER	2
4	7-239-04	RETAINING RING	1
5	7-193-05	BEARING	1



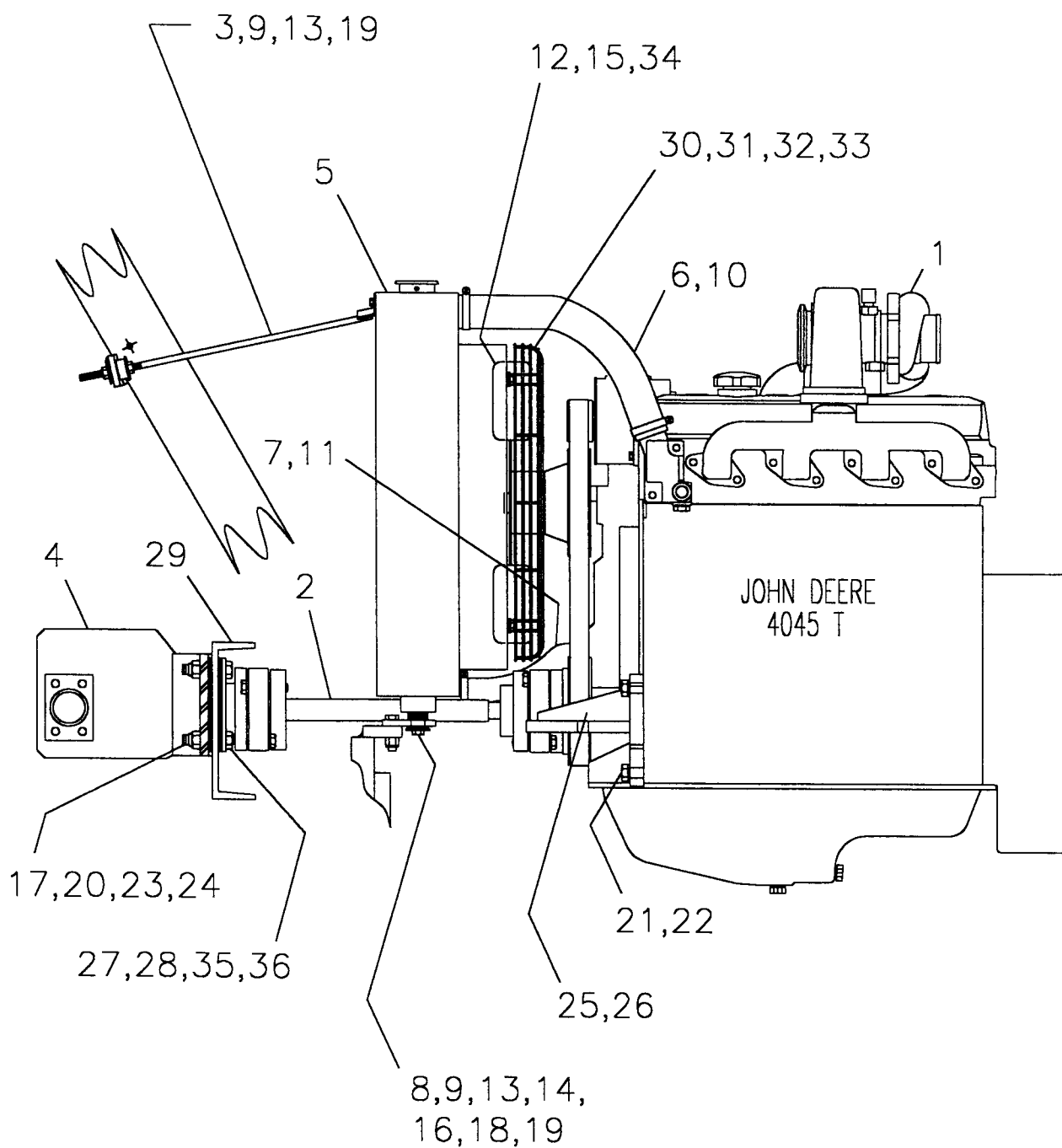
ITEM	NUMBER	DESCRIPTION	REQD
1	7-183-88	ENGINE ASSEMBLY / JD-4045D	1
2	P4-1537	DRIVESHAFT ASSEMBLY / PUMP	REF
3	3-1239-1	MOUNT / PUMP	1
4	7-345-01	PUMP ASSEMBLY	REF
5	7-311-06	RADIATOR	1
6	7-158-72	RADIATOR HOSE / UPPER	1
7	7-158-73	RADIATOR HOSE / LOWER	1
8	3-1367	ADJUSTING ROD / UPPER RADIATOR MT.	1
9	1-1213	MOUNT / RADIATOR	2
10	6-6252-07	CLAMP / RADIATOR HOSE / 2"	2
11	6-6252-09	CLAMP / RADIATOR HOSE / 2 1/2"	2
12	7-190-04	RUBBER MOUNT / CENTER BONDED	3
13	7-190-02	WASHER / CENTER BONDED RUBBER MT.	4
14	6-5208-16	CAPSCREW 1/2 NC x 2 LG.	2
15	6-5206-16	CAPSCREW 3/8 NC x 2 LG.	2
16	6-6205-08	SELF LOCKING NUT 1/2 NC	2
17	6-9111-10	LOCKWASHER 10 mm	REF
18	7-183-38	FAN	REF
19	6-6205-06	SELF LOCKING NUT 3/8 NC	4
20	6-5208-14	CAPSCREW 1/2 NC x 1 3/4 LG.	4
21	6-8516-55	CAPSCREW 16 mm x 2.0 x 55 mm LG.	4
22	6-5310-22	CAPSCREW 5/8 NF x 2 3/4 LG.	4
23	6-6212-08	FLATWASHER 1/2	4
24	6-6211-08	LOCKWASHER 1/2	4
25	6-6201-08	HEX NUT 1/2 NC	4
26	3-1372	ENGINE MOUNT / LH	1
27	3-1373	ENGINE MOUNT / RH	1
28	4-1685	FAN GUARD / 18 IN. FAN	1
29	6-6212-06	FLATWASHER 3/8	4
30	6-5205-08	CAPSCREW 5/16 NC x 1 LG.	4
31	6-6211-05	LOCKWASHER 5/16	4
32	2-1164	RUBBER PAD	4
33	2-1163	PLATE	2
34	7-183-96	FAN SPACER / 2 INCH	REF
35	6-8110-80	CAPSCREW 10 mm x 1.5 x 80 mm LG.	REF
36	6-9111-16	LOCKWASHER 16 mm	4
37	6-6206-10	SELF LOCKING NUT 5/8 NF	4

DRAWING
NUMBER

P4-1697

ENGINE and PUMP ASSY / JD-4045D
SS-842 SQUARE SHOOTER

PAGE
NUMBER 79A

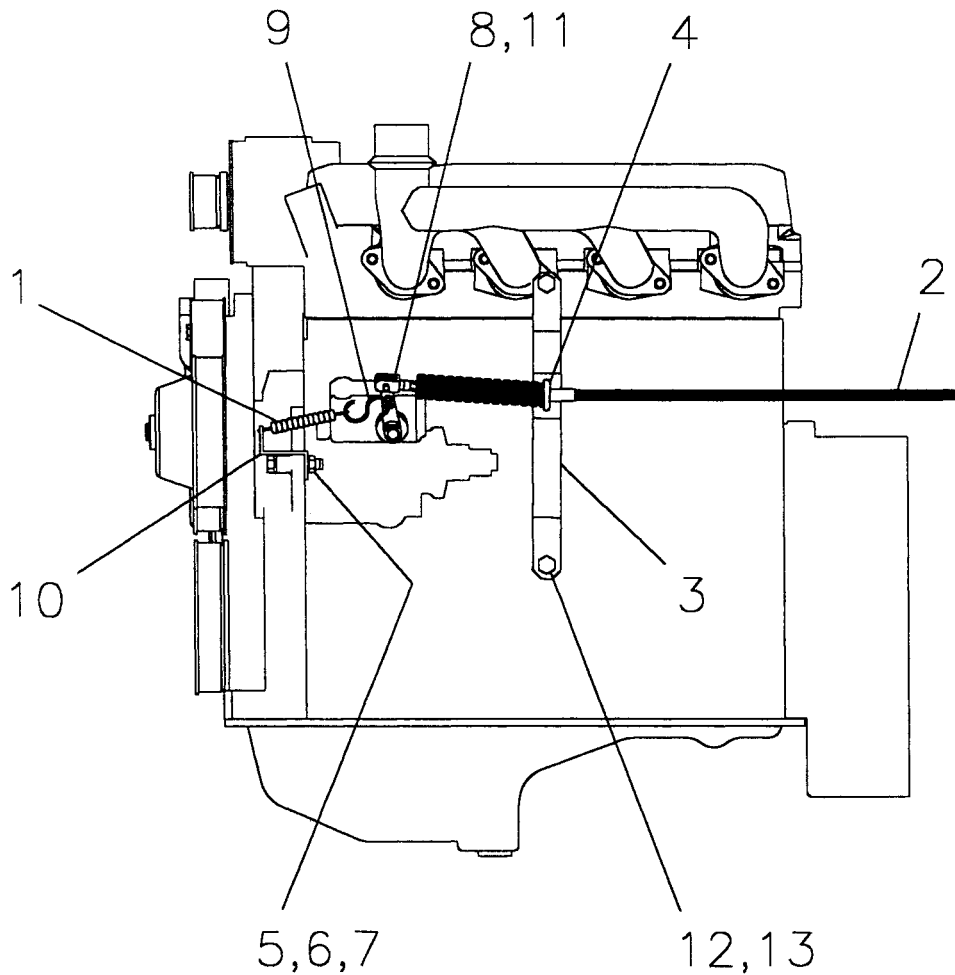


ITEM	NUMBER	DESCRIPTION	REQD
1	7-183-89	ENGINE ASSEMBLY / JD-4045T 100 HP	1
2	P4-1537	DRIVESHAFT ASSEMBLY / PUMP	REF
3	3-1367	ADJUSTING ROD / UPPER RADIATOR MT.	1
4	7-345-01	PUMP ASSEMBLY	REF
5	7-311-07	RADIATOR	1
6	7-158-72	RADIATOR HOSE / UPPER	1
7	7-158-73	RADIATOR HOSE / LOWER	1
8	1-1213	MOUNT / RADIATOR	2
9	7-190-04	RUBBER MOUNT / CENTER BONDED	3
10	6-6252-07	CLAMP / RADIATOR HOSE / 2"	2
11	6-6252-09	CLAMP / RADIATOR HOSE / 2 1/2"	2
12	7-183-38	FAN (w/ ENGINE)	REF
13	7-190-02	WASHER / CENTER BONDED RUBBER MT.	4
14	6-5208-16	CAPSCREW 1/2 NC x 2 LG.	2
15	7-183-96	FAN SPACER / 2 INCH / (w/ ENGINE)	REF
16	6-6205-08	SELF LOCKING NUT 1/2 NC	2
17	6-6201-08	HEX NUT 1/2 NC	4
18	6-5206-16	CAPSCREW 3/8 NC x 2 LG.	2
19	6-6205-06	SELF LOCKING NUT 3/8 NC	4
20	6-5208-14	CAPSCREW 1/2 NC x 1 3/4 LG.	4
21	6-8516-55	CAPSCREW 16mm x 2.0 x 55mm LG.	4
22	6-9111-16	LOCKWASHER 16mm	4
23	6-6212-08	FLATWASHER 1/2	4
24	6-6211-08	LOCKWASHER 1/2	4
25	3-1372	ENGINE MOUNT / LH	1
26	3-1373	ENGINE MOUNT / RH	1
27	6-5310-22	CAPSCREW 5/8 NF x 2 3/4 LG.	4
28	2-1164	RUBBER PAD	4
29	3-1239-1	MOUNT / PUMP	1
30	4-1685	FAN GUARD / 18 IN. FAN	1
31	6-6212-06	FLATWASHER 3/8	4
32	6-5205-08	CAPSCREW 5/16 NC x 1 LG.	4
33	6-6211-05	LOCKWASHER 5/16	4
34	6-8110-80	CAPSCREW 10mm x 1.5 x 80mm LG.	REF
35	2-1163	PLATE	2
36	6-6206-10	SELF LOCKING NUT 5/8 NF	4

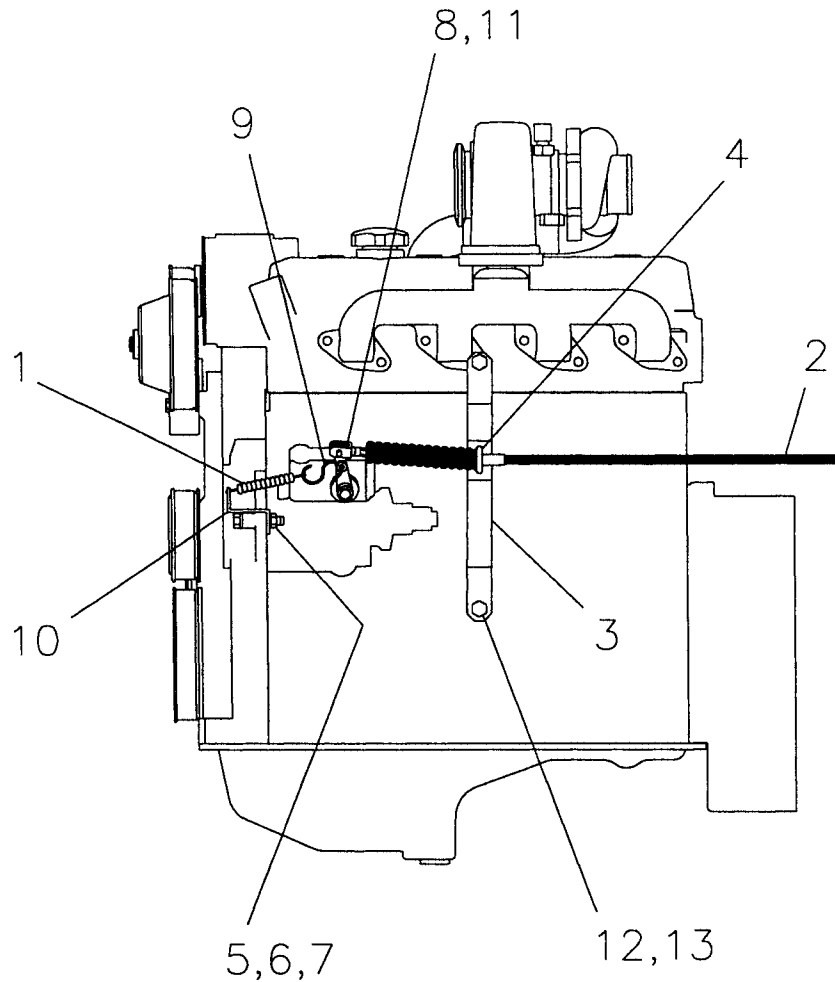
DRAWING
NUMBER P4-1793

ENGINE & PUMP ASSY / JD-4045T
SS-842 w/ POWERTECH TURBO ENGINE

PAGE
NUMBER 80A



ITEM	NUMBER	DESCRIPTION	REQD
1	7-194-20	SPRING / RETURN	1
2	7-266-02	CABLE / ACCELERATOR	REF
3	3-1213	MOUNT / ACCELERATOR CABLE	1
4	7-194-07	U-BOLT W/ NUTS	1
5	6-8108-55	CAPSCREW 8 mm x 1.25 x 55 mm LG.	1
6	6-9111-08	LOCKWASHER 8 mm	1
7	6-9101-08	HEX NUT 8 mm	1
8	7-194-05	YOKE W/ CLEVIS PIN & COTTER PIN	1
9	7-194-18	S-HOOK	1
10	1-1017	MOUNT / RETURN SPRING	1
11	6-6208-04	JAM NUT 1/4-28 (w/ CABLE)	REF
12	6-8514-25	CAPSCREW 14 mm x 2.0 x 25 mm LG.	REF
13	6-9111-14	LOCKWASHER 14 mm	REF

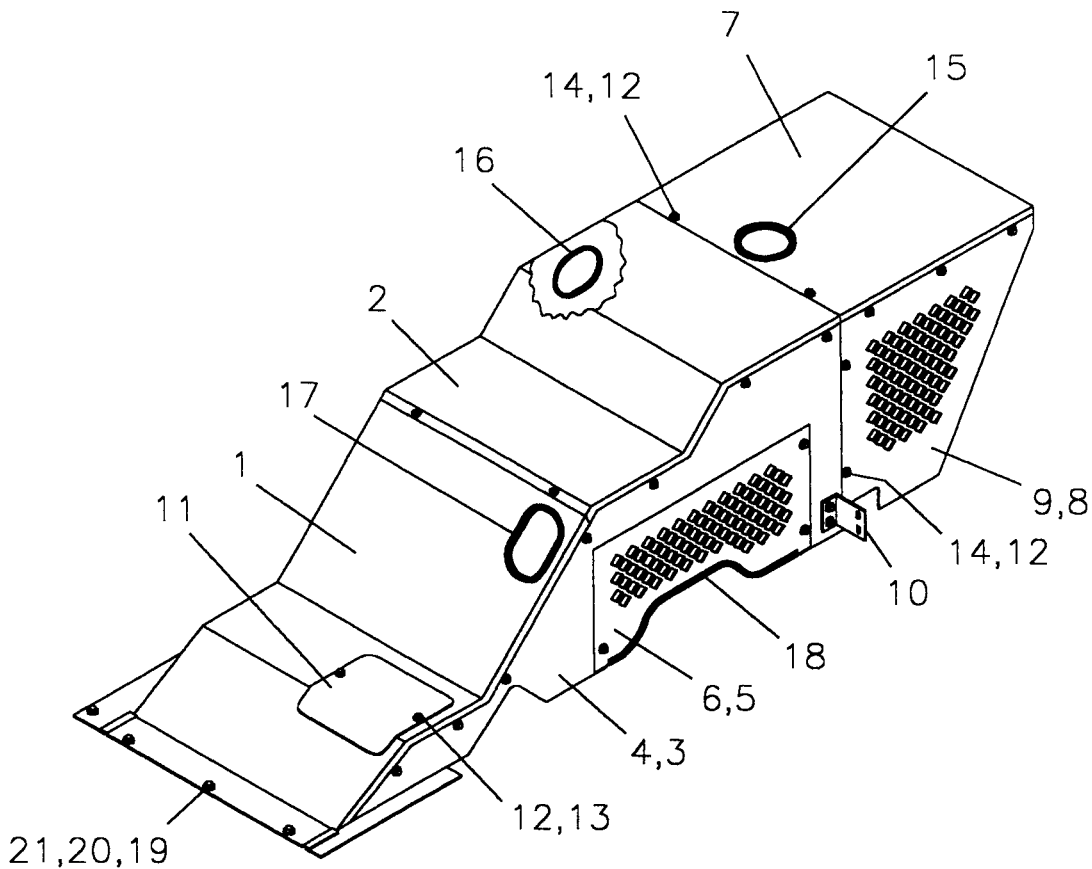


ITEM	NUMBER	DESCRIPTION	REQD
1	7-194-20	SPRING / RETURN	1
2	7-266-02	CABLE / ACCELERATOR	REF
3	3-1213	MOUNT / ACCELERATOR CABLE	1
4	7-194-07	U-BOLT W/ NUTS	1
5	6-8108-55	CAPSCREW 8 mm x 1.25 x 55 mm LG.	1
6	6-9111-08	LOCKWASHER 8 mm	1
7	6-9101-08	HEX NUT 8 mm	1
8	7-194-05	YOKE W/ CLEVIS PIN & COTTER PIN	1
9	7-194-18	S-HOOK	1
10	1-1017	MOUNT / RETURN SPRING	1
11	6-6208-04	JAM NUT 1/4-28 (w/ CABLE)	REF
12	6-8514-25	CAPSCREW 14 mm x 2.0 x 25 mm LG.	REF
13	6-9111-14	LOCKWASHER 14 mm	REF

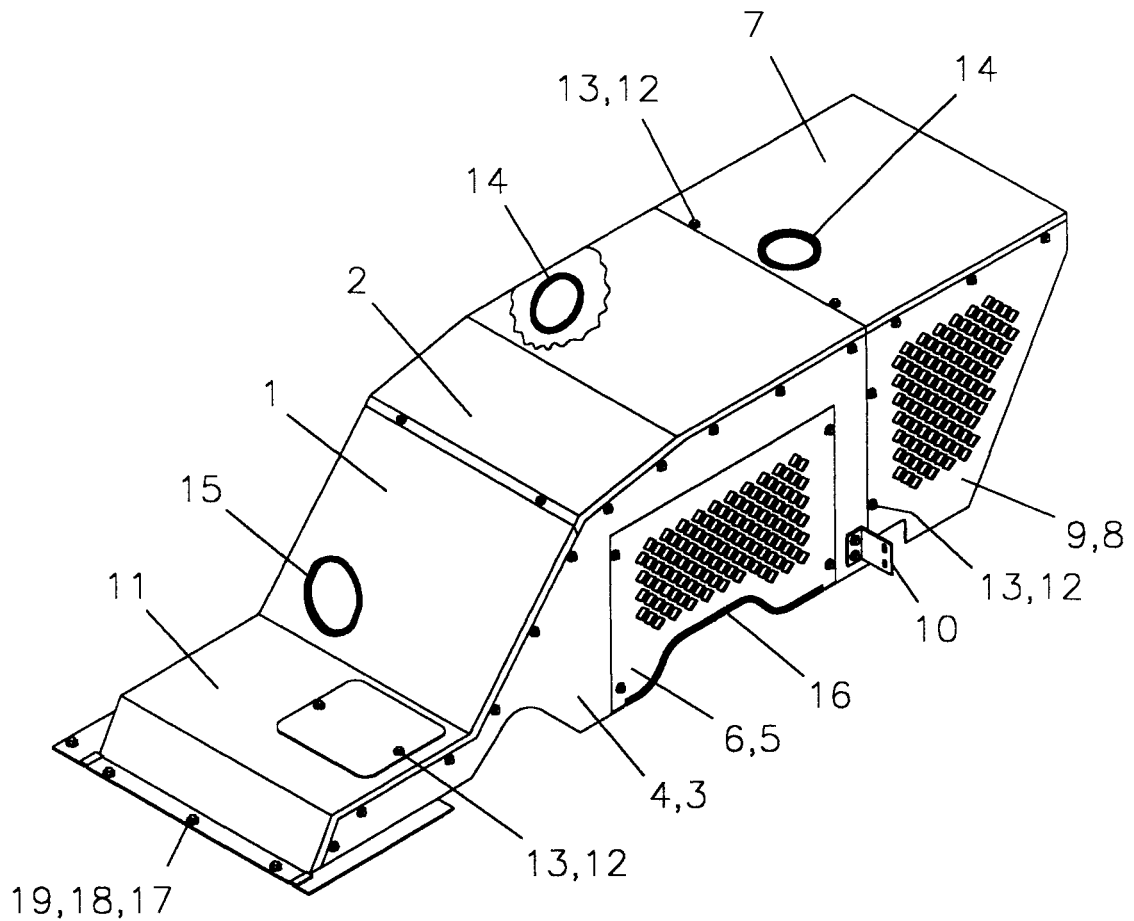
DRAWING
NUMBER P4-1775

ACCELERATOR ASSY / JD-4045T
SS-842 & SS-1048 w/ POWERTECH TURBO ENGINE

PAGE
NUMBER 82



ITEM	NUMBER	DESCRIPTION	REQD
1	4-1728-1	TOP FRONT COVER / FRONT HOUSING	REF
2	4-1728-2	TOP REAR COVER / FRONT HOUSING	REF
3	4-1728-3	SIDE PANEL / RH / FRONT HOUSING	REF
4	4-1728-4	SIDE PANEL / LH / FRONT HOUSING	REF
5	4-1728-5	SIDE SCREEN / RH / FRONT HOUSING	REF
6	4-1728-6	SIDE SCREEN / LH / FRONT HOUSING	REF
7	4-1728-7	TOP COVER / REAR HOUSING	REF
8	4-1728-8	SIDE PLATE / RH / REAR HOUSING	REF
9	4-1728-9	SIDE PLATE / LH / REAR HOUSING	REF
10	4-1728-10	SUPPORT BRACKET / FRONT HOUSING	REF
11	4-1691-7	ACCESS COVER / FRONT HOUSING	REF
12	7-290-01	BODY BOLT 5/16 NC x 3/4 LG.	42
13	6-6212-05	FLATWASHER 5/16	2
14	6-6212-04	FLATWASHER 1/4	40
15	6-9601-134	EDGING 1/4 x 16 3/4 LG.	1
16	6-9601-120	EDGING 1/4 x 15 LG.	1
17	6-9601-142	EDGING 1/4 x 17 3/4 LG.	1
18	6-9601-224	EDGING 1/4 x 28 LG.	2
19	6-5206-06	CAPSCREW 3/8 NC x 3/4 LG.	10
20	6-6211-06	LOCKWASHER 3/8	10
21	6-6212-06	FLATWASHER 3/8	10
22	4-1728	ENGINE ENCLOSURE (ITEMS 1-14)	1

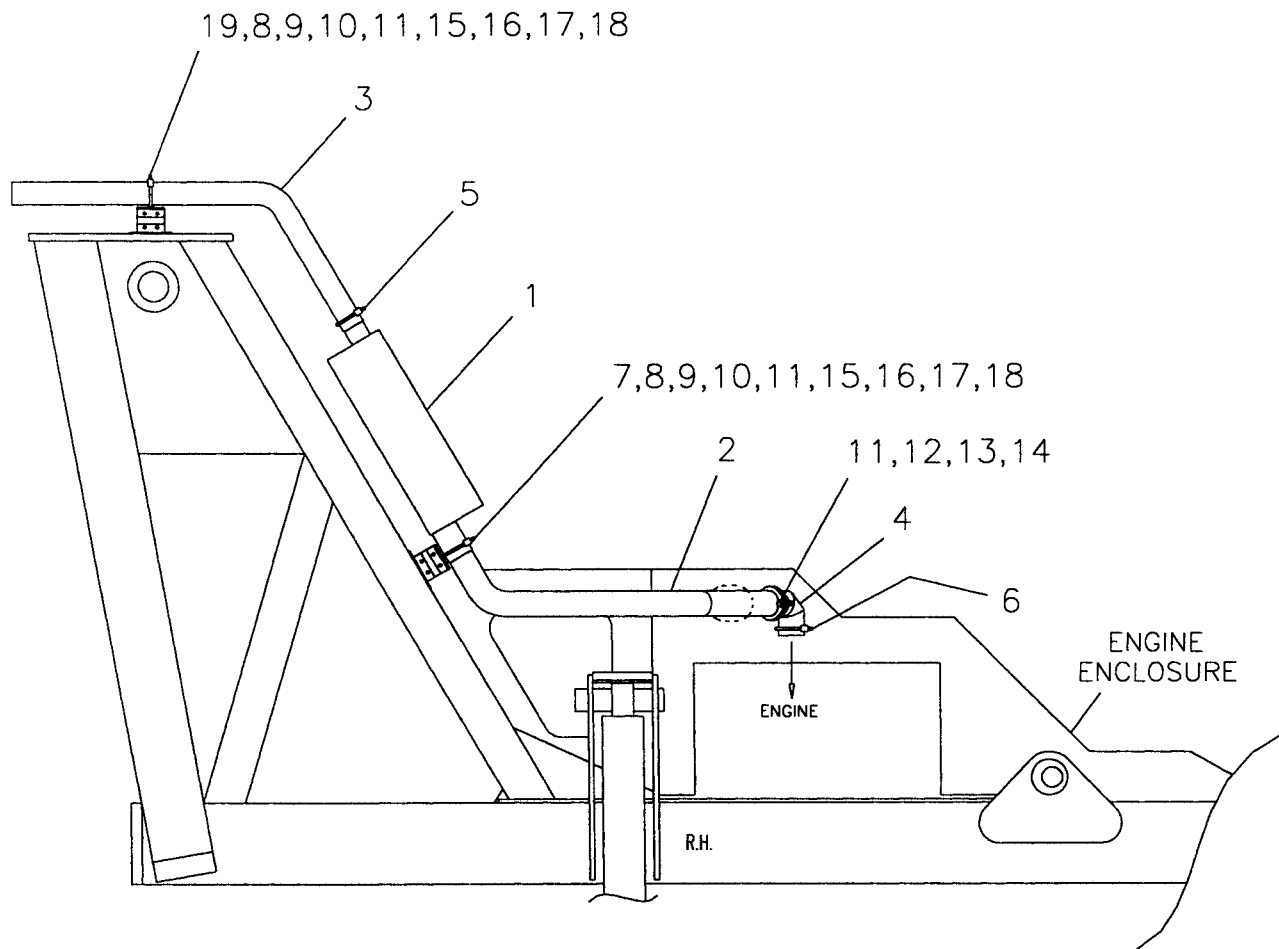


ITEM	NUMBER	DESCRIPTION	REQD
1	4-1742-1	TOP FRONT COVER / FRONT HOUSING	REF
2	4-1742-2	TOP REAR COVER / FRONT HOUSING	REF
3	4-1742-3	SIDE PLATE / RH / FRONT HOUSING	REF
4	4-1742-4	SIDE PLATE / LH / FRONT HOUSING	REF
5	4-1742-5	SIDE SCREEN / RH / FRONT HOUSING	REF
6	4-1742-6	SIDE SCREEN / LH / FRONT HOUSING	REF
7	4-1742-7	TOP COVER / REAR HOUSING	REF
8	4-1742-8	SIDE PLATE / RH / REAR HOUSING	REF
9	4-1742-9	SIDE PLATE / LH / REAR HOUSING	REF
10	4-1728-10	SUPPORT BRACKET / FRONT HOUSING (2)	REF
11	4-1717-7	ACCESS COVER / FRONT HOUSING	REF
12	7-290-01	BODY BOLT 5/16 NC x 3/4 LG.	51
13	6-6212-04	FLATWASHER 1/4	51
14	6-9601-134	EDGING 1/4 x 16 3/4 LG.	2
15	6-9601-178	EDGING 1/4 x 22 1/4 LG.	1
16	6-9601-232	EDGING 1/4 x 29 LG.	2
17	6-5206-06	CAPSCREW 3/8 NC x 3/4 LG.	10
18	6-6211-06	LOCKWASHER 3/8	10
19	6-6212-06	FLATWASHER 3/8	10
20	4-1742	ENGINE ENCLOSURE ASSY (ITEMS 1-13)	1

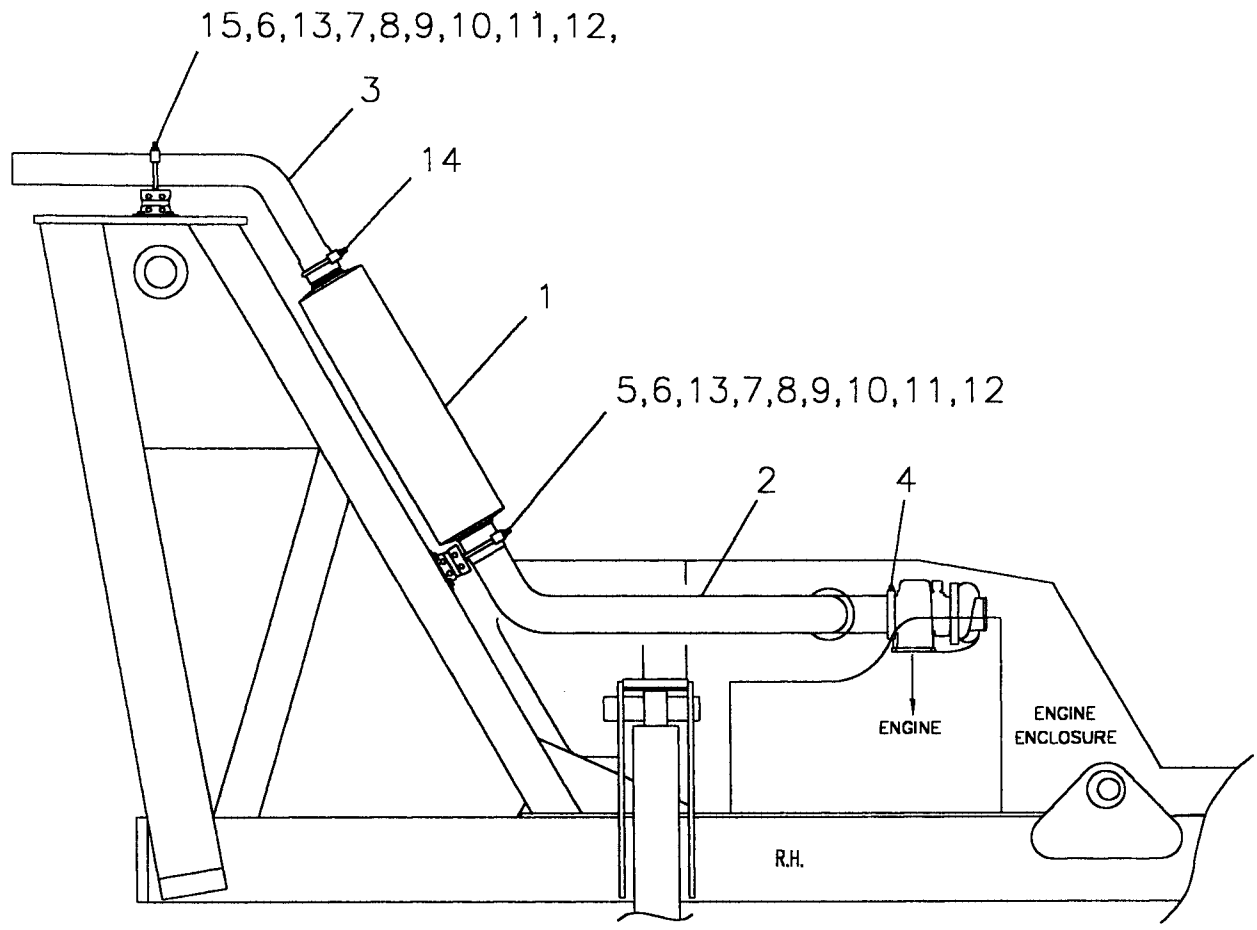
DRAWING
NUMBER P4-1794

ENGINE ENCLOSURE ASSY / JD-4045T
SS-842 w/ POWERTECH TURBO ENGINE

PAGE
NUMBER 84



ITEM	NUMBER	DESCRIPTION	REQD
1	7-282-01	MUFFLER	1
2	4-1715	EXHAUST PIPE	1
3	3-1284	TAILPIPE	1
4	3-1231	EXHAUST ELBOW / FLANGED	1
5	7-284-02	MUFFLER CLAMP 2 1/4 DIA	1
6	7-284-03	MUFFLER CLAMP 2 1/2 DIA	1
7	2-1170	CLAMP BRACKET / EXHAUST / 2 1/2	1
8	1-1173	FLEX JOINT / EXHAUST	2
9	6-5206-08	CAPSCREW 3/8 NC x 1 LG.	4
10	6-6212-06	FLATWASHER 3/8	4
11	6-6211-06	LOCKWASHER 3/8	6
12	7-319-12	EXHAUST GASKET	1
13	6-5206-10	CAPSCREW 3/8 NC x 1 1/4 LG.	2
14	6-6201-06	HEX NUT 3/8 NC	2
15	6-5204-08	CAPSCREW 1/4 NC x 1 LG.	8
16	6-6205-04	SELF LOCKING NUT 1/4 NC	8
17	6-6212-04	FLATWASHER 1/4	8
18	1-1174	BASE / EXHAUST BRACKET	2
19	2-1169	CLAMP BRACKET / EXHAUST / 2 1/4	1

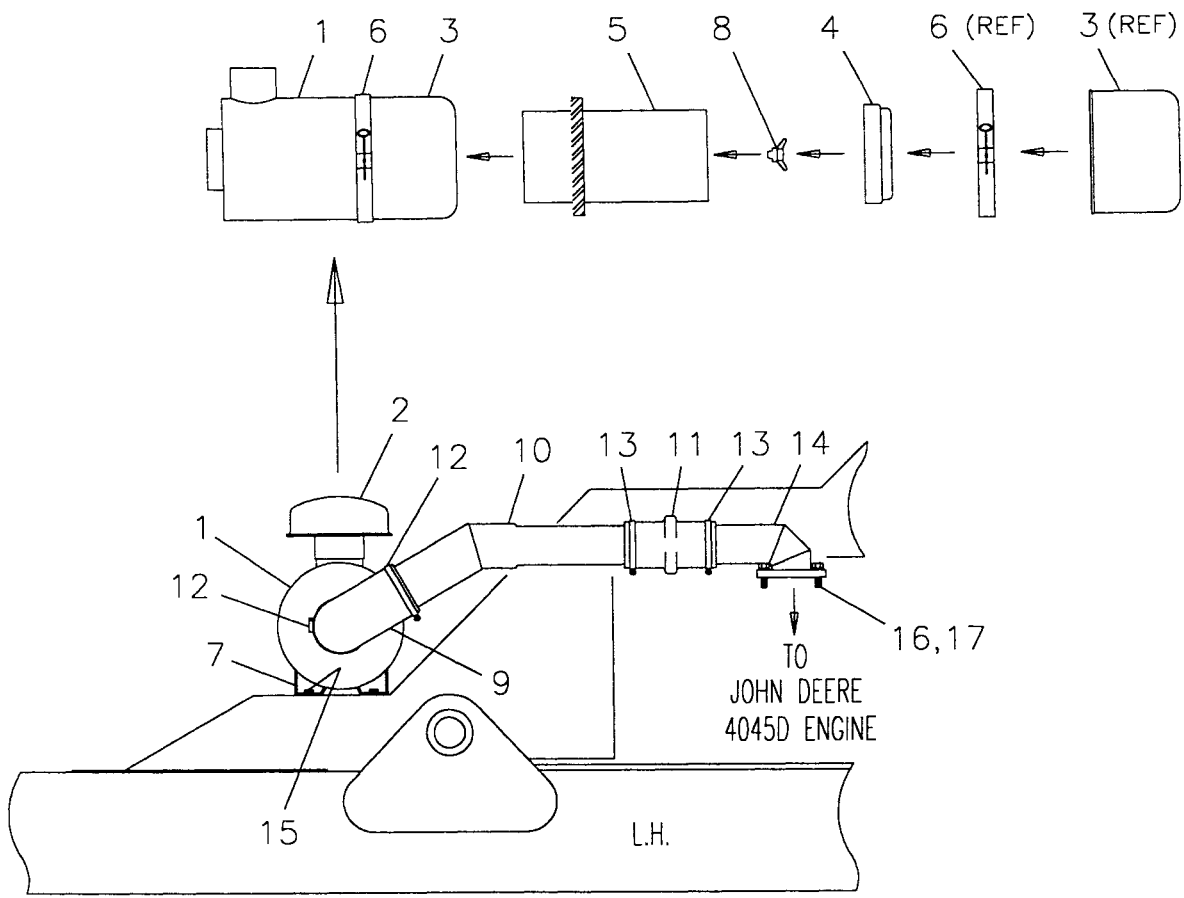


ITEM	NUMBER	DESCRIPTION	REQD
1	7-282-03	MUFFLER	1
2	4-1741	EXHAUST PIPE	1
3	3-1351	TAILPIPE	1
4	7-183-98	CLAMP / V-FLANGE (w/ ENGINE)	REF
5	2-1166	CLAMP BRACKET / EXHAUST / 3 1/2	1
6	1-1173	FLEX JOINT / EXHAUST BRACKET	2
7	6-5204-08	CAPSCREW 1/4 NC x 1 LG.	8
8	6-6205-04	SELF LOCKING NUT 1/4 NC	8
9	6-6212-04	FLATWASHER 1/4	8
10	6-5206-08	CAPSCREW 3/8 NC x 1 LG.	4
11	6-6211-06	LOCKWASHER 3/8	4
12	6-6212-06	FLATWASHER 3/8	4
13	1-1174	CLAMP BASE / EXHAUST BRACKET	2
14	7-319-14	CLAMP / MUFFLER / 3 1/4 IN.	1
15	2-1168	CLAMP BRACKET / EXHAUST / 3 IN.	1

DRAWING NUMBER P4-1795

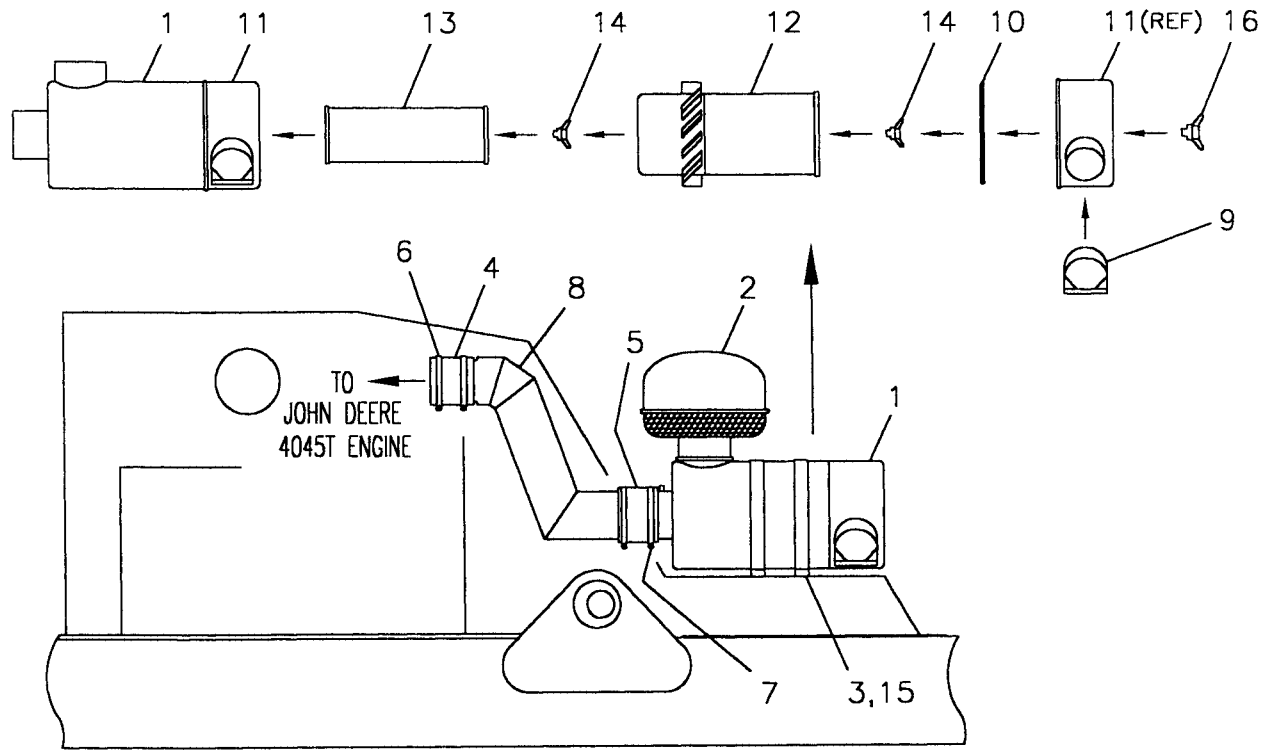
EXHAUST ASSEMBLY / JD-4045T
SS-842 w/ POWERTECH TURBO ENGINE

PAGE NUMBER 86



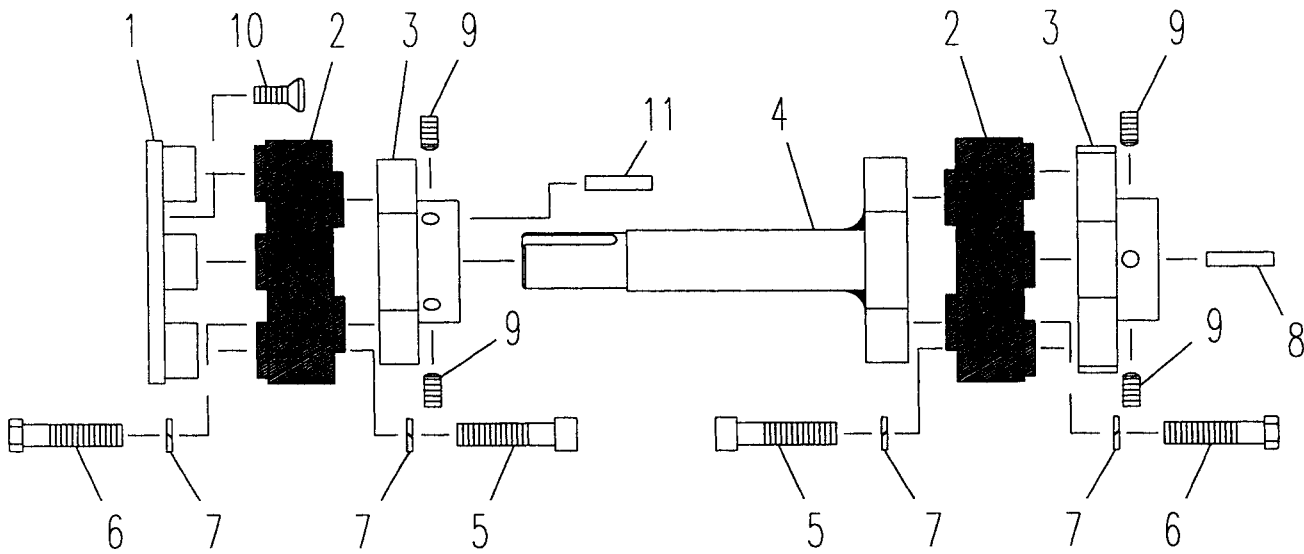
ITEM	NUMBER	DESCRIPTION	REQD
1	7-135-01	AIR CLEANER ASSEMBLY	1
2	7-135-03	HOOD	1
3	7-135-10	CUP ASSEMBLY	REF
4	7-135-09	BAFFLE ASSEMBLY	REF
5	7-135-07	ELEMENT ASSEMBLY	REF
6	7-135-08	CLAMP ASSEMBLY / BODY	REF
7	7-135-02	MOUNTING BAND	2
8	7-135-11	THUMB SCREW	REF
9	7-135-05	RUBBER ELBOW 3 ID x 90	1
10	3-1214	ADAPTER TUBE	1
11	7-158-71	STRAIGHT HUMP HOSE 2 1/2 ID x 6	1
12	6-6252-13	CLAMP / WORM	2
13	6-6252-12	CLAMP / WORM	2
14	4-1216	AIR INLET	1
15	7-290-01	BODY BOLT 5/16 NC x 3/4 LG.	4
16	6-8910-35	CAPSCREW SH 10mm x 1.50 x 35mm LG	2
17	6-9111-10	LOCKWASHER 10mm	2

Courtesy of Crane.Market

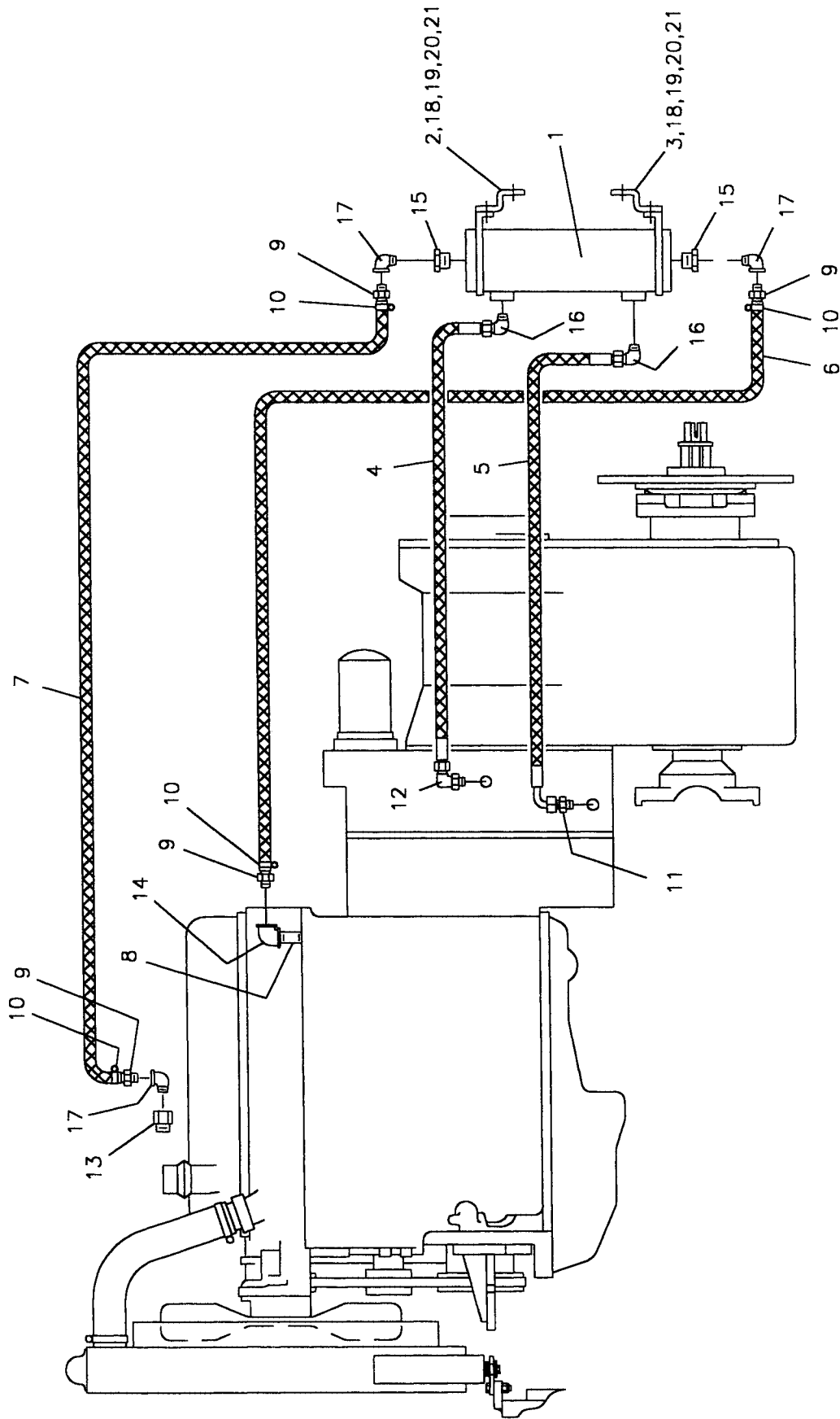


ITEM	NUMBER	DESCRIPTION	REQD
1	7-204-01	AIR CLEANER ASSEMBLY	1
2	7-204-02	HOOD	1
3	7-135-02	MOUNTING BAND	2
4	6-9619-26	RUBBER HOSE 3 ID x 3 1/4 LG.	1
5	6-9617-24	RUBBER HOSE 3 1/2 ID x 3 LG.	1
6	6-6252-13	CLAMP / WORM	2
7	6-6252-15	CLAMP / WORM	2
8	3-1315	AIR INLET PIPE	1
9	7-204-10	DUST EJECTOR	REF
10	7-204-07	O-RING	REF
11	7-204-08	COVER ASSEMBLY	REF
12	7-204-04	FILTER / PRIMARY	REF
13	7-204-05	FILTER / SAFETY	REF
14	7-204-06	WING NUT / FILTER (2 REQ.)	REF
15	7-290-01	BODY BOLT 5/16 NC x 3/4 LG.	4
16	7-204-09	WING NUT / COVER ASSEMBLY	REF

Courtesy of Crane.Market



ITEM	NUMBER	DESCRIPTION	REQD
1	3-1253	DRIVE FLANGE / ENGINE SIDE	1
2	7-190-03	FLEXIBLE COUPLING	2
3	4-1475-3	DRIVE FLANGE	2
4	3-1277	DRIVE SHAFT / PUMP	1
5	6-5608-18	CAPSCREW SH 1/2 NC x 2 1/4 LG.	8
6	6-5208-20	CAPSCREW 1/2 NC x 2 1/2 LG.	8
7	6-6211-08	LOCKWASHER 1/2	16
8	6-6280-06	KEY 5/16 SQ. x 1 3/8 LG. (w/PUMP)	REF
9	6-6275-04	SETScrew 3/8 NC x 3/4 LG.	4
10	7-183-16	SCREW (4)	REF
11	6-6280-07	KEY 5/16 SQ. x 2 1/2 LG	1



ITEM	NUMBER	DESCRIPTION	REQD
1	7-236-07	OIL COOLER	1
2	3-1205-1	MOUNT / OIL COOLER / RH	1
3	3-1205-2	MOUNT / OIL COOLER / LH	1
4	6-7006-58	HOSE / 12 x 12 x 29 LG.	1
5	6-7026-52	HOSE / 12 x 12-90 x 26 LG.	1
6	6-9611-312	HOSE-HEATER 3/4 x 39 LG.	1
7	6-9611-704	HOSE-HEATER 3/4 x 88 LG.	1
8	6-6413-03	FITTING / 1/2 PIPE NIPPLE	1
9	6-6423-18	HOSE END / 12-08 MALE PIPE	4
10	6-6252-04	HOSE CLAMP / NO.12	4
11	6-6450-20	FITTING / 12 OR x 12 JIC STR	1
12	6-6453-15	FITTING / 12 OR x 12 JIC 90	1
13	6-6459-01	FITTING / 18 mm x 08 NPT REDUCER	1
14	6-6438-04	FITTING / 08 NPT ELBOW BLK-P	1
15	6-6406-07	FITTING / NPT REDUCER 3/4 x 1/2	2
16	6-6427-18	FITTING / 12 NPT x 12 JIC 90	2
17	6-6437-04	FITTING / 08 NPT ST ELB BLK-P	3
18	6-5205-06	CAPSCREW 5/16 NC x 3/4 LG.	4
19	6-6211-05	LOCKWASHER 5/16	4
20	6-6201-05	HEX NUT 5/16 NC	4
21	6-6212-05	FLATWASHER 5/16	4

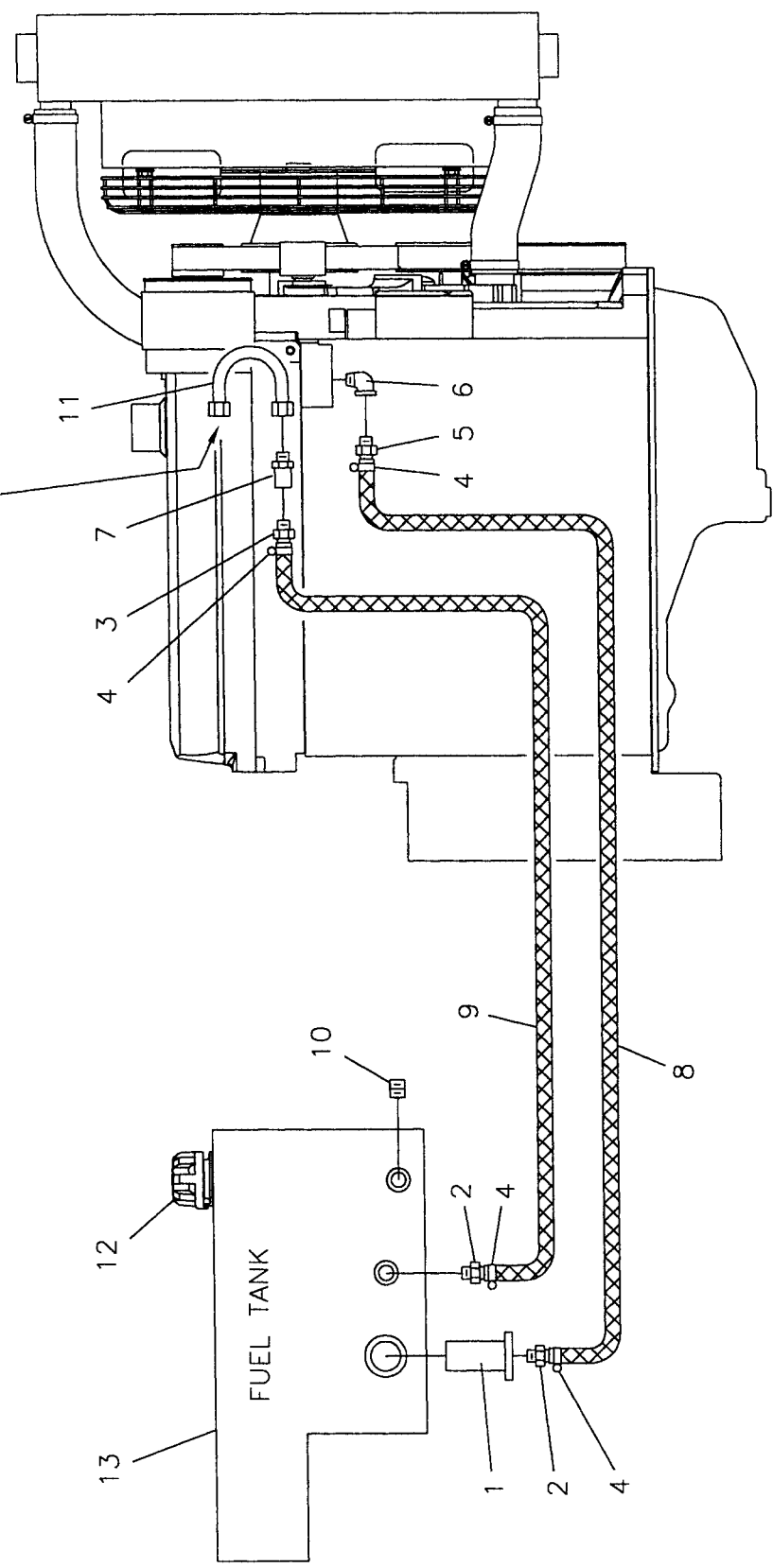
DRAWING
NUMBER

P4-1652

CIRCUIT / OIL COOLER
SS-842 w/ JD-4045D & JD-4045T ENGINES

PAGE
NUMBER 90A

TO ENGINE FUEL RETURN LINE

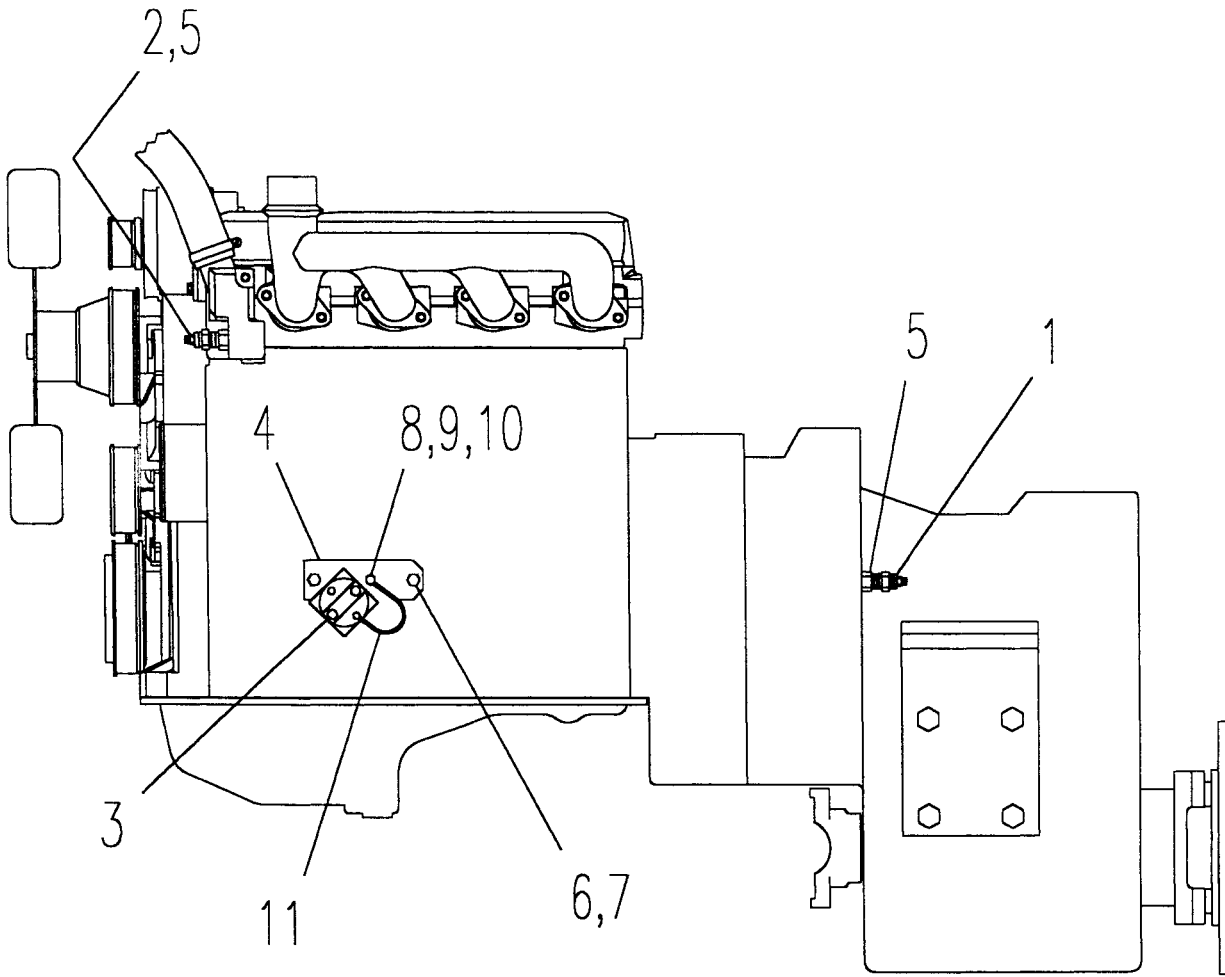


ITEM	NUMBER	DESCRIPTION	REQD
1	7-272-05	FUEL STRAINER	1
2	6-6423-10	FITTING / 08 x 06 BRASS HOSE END	2
3	6-6423-08	FITTING / 04 x 06 BRASS HOSE END	1
4	6-6252-20	HOSE CLAMP / NO. 2	4
5	6-6423-07	FITTING / 02 x 06 BRASS HOSE END	1
6	6-6422-01	FITTING / 02 x 02 NPT BRASS ELBOW	1
7	6-6424-05	FITTING / 04 x 04 BRASS TUBE END	1
8	6-9605-640	HOSE-FUEL 3/8 x 80 LG.	1
9	6-9605-544	HOSE-FUEL 3/8 x 68 LG.	1
10	6-6408-06	FITTING / NPT FLUSH PLUG 3/4	1
11	1-1034	TUBE / FUEL LINE	1
12	7-272-09	FILLER CAP / FUEL	REF
13	4-1615	FUEL TANK / BATTERY BOX	REF

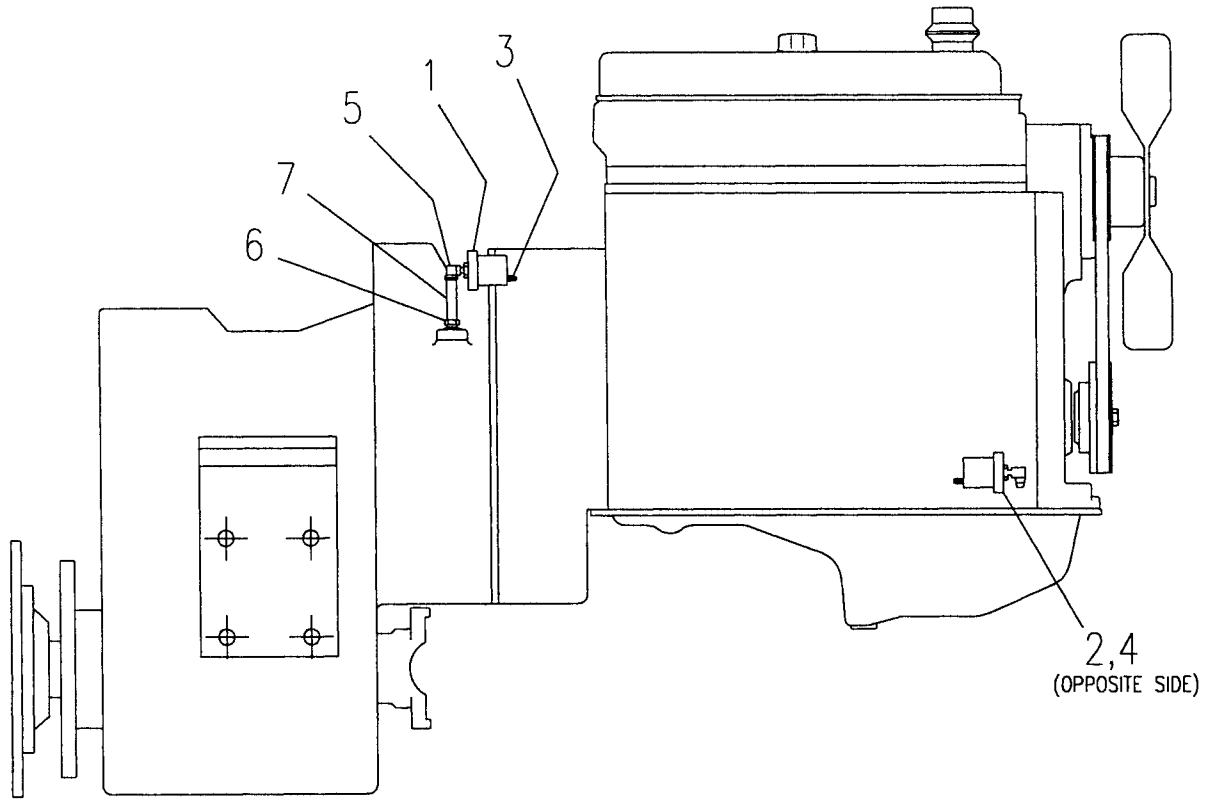
DRAWING
NUMBER P4-1653

CIRCUIT / FUEL
SS-842 w/ JD-4045D & JD-4045T ENGINES

PAGE
NUMBER 91A



ITEM	NUMBER	DESCRIPTION	REQD
1	7-172-07	SENDER / TRANS. OIL TEMP.	REF
2	7-172-09	SENDER / ENGINE WATER TEMP.	REF
3	7-183-18	RELAY / STARTER	REF
4	1-1024	MOUNT / STARTER RELAY	1
5	6-6406-04	FITTING / NPT REDUCER 1/2 x 3/8	2
6	6-8514-25	CAPSCREW 14 mm x 2.0 x 25 mm LG.	1
7	6-9111-14	LOCKWASHER 14 mm	1
8	6-5204-04	CAPSCREW 1/4 NC x 1/2 LG.	2
9	6-6211-04	LOCKWASHER 1/4	2
10	6-6212-04	FLATWASHER 1/4	2
11	1-1094	GROUND WIRE / STARTER RELAY	1



ITEM	NUMBER	DESCRIPTION	REQD
1	7-172-16	SENDER / TRAN. OIL PRESSURE	REF
2	7-172-05	SENDER / ENGINE OIL PRESSURE	REF
3	6-6286-06	HEX NUT 10-32	1
4	6-6422-01	FITTING / 02 NPT 90 BRASS ST.ELB.	1
5	6-6404-01	FITTING / 02 NPT ELBOW	1
6	6-6458-02	FITTING / 06 OR x 02 NPT REDUCER	1
7	6-6410-03	FITTING / 1/8 PIPE NIPPLE	1

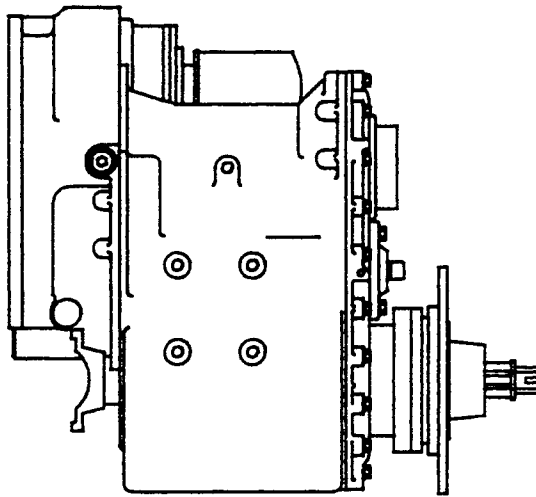
DRAWING
NUMBER P4-1656

SENDER ASSEMBLY / JD-4045D JD-4045T
SS-636 & SS-842 SQUARE SHOOTER

PAGE
NUMBER 93

TRANSMISSION PARTS BOOK

SS-624, SS-636, SS-836
SS-842, SS-1048

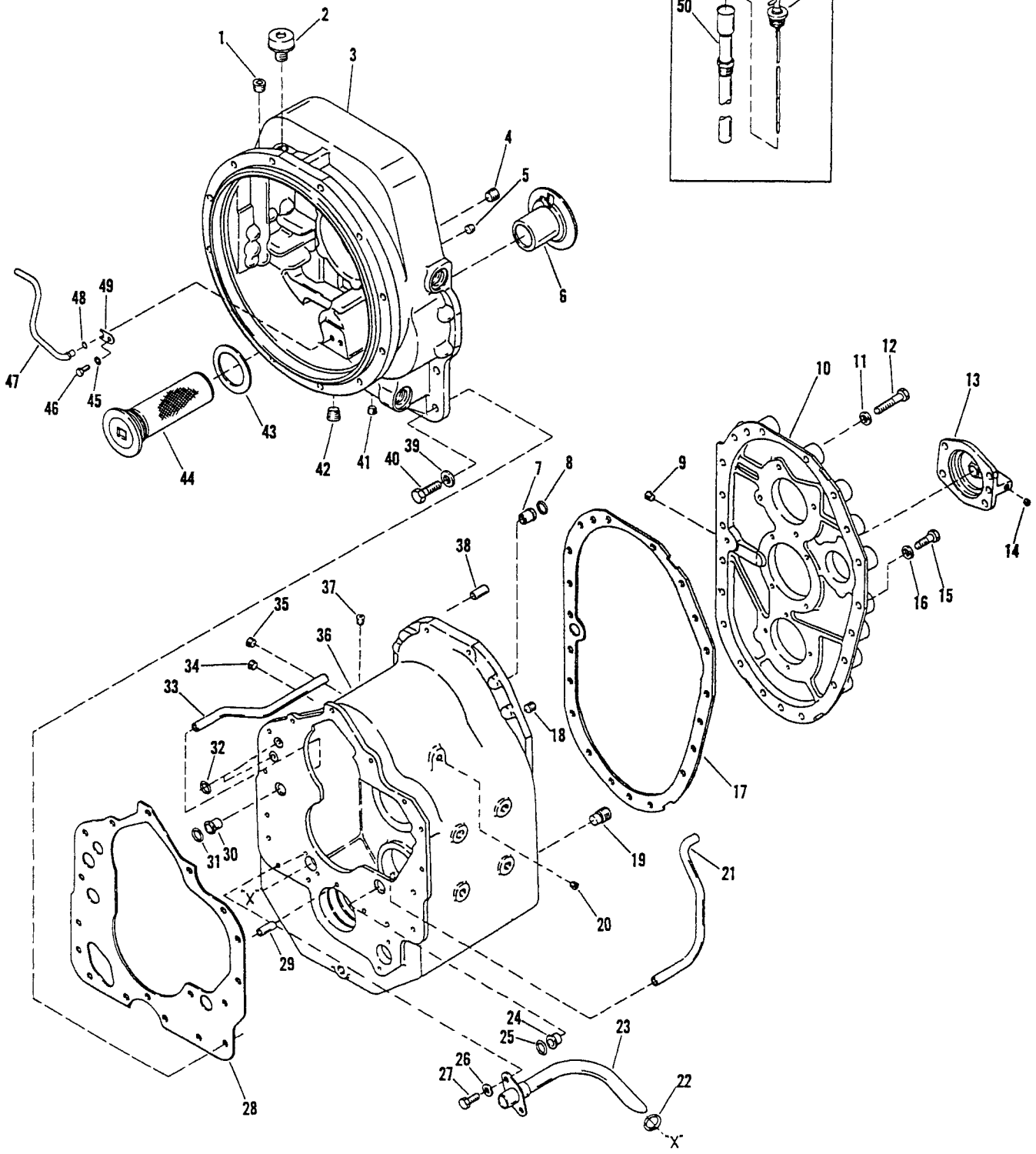


DATE: 7-23-96
CLARK 18000 SERIES
INTERMEDIATE DROP

BARAGA PRODUCTS, INC.
455 N. Superior Ave.
Baraga, MI 49908-0248
Ph. (906) 353-6675 Fax (906) 353-7543

INDEX

PAGES	DESCRIPTION	DRAWING
1	CONVERTER HOUSING / CASE & COVER	P1-2032
2	TURBINE SHAFT & STATOR SUPPORT	P1-2033
3	DRIVE PLATE GROUP	P1-2034
4	MODULATOR VALVE ASSEMBLY	P1-2035
5	DISC PARKING BRAKE GROUP	P1-1135
6	HYDRAULIC CONTROL VALVE ASSEMBLY	P1-2037
7	CHARGING PUMP & FILTER GROUP	P1-2038
8	OUTPUT SHAFT GROUP	P1-2039
9	3rd SHAFT CLUTCH GROUP	P1-2040
10	LOW SPEED SHAFT GROUP	P1-2041
11	REVERSE & 2nd SHAFT GROUP	P1-2042
12	REVERSE IDLER GROUP	P1-2043
13	FORWARD SHAFT GROUP	P1-2044
14	CHARGING PUMP DRIVE GROUP	P1-2045
15	AUXILIARY PUMP DRIVE GROUP	P1-2046
16	TORQUE CONVERTER ASSEMBLY GROUP	P1-2047

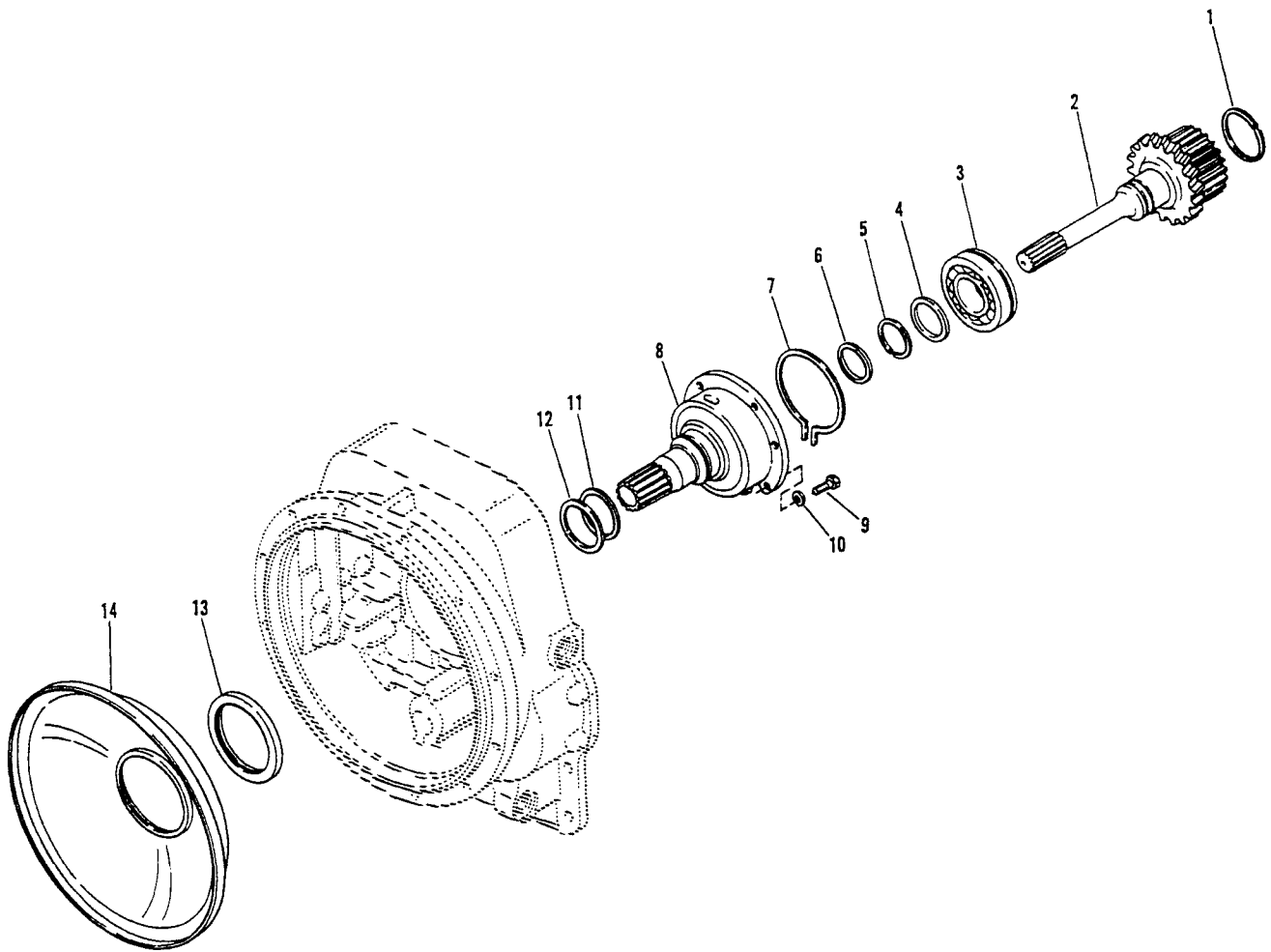


1 PAGE NUMBER

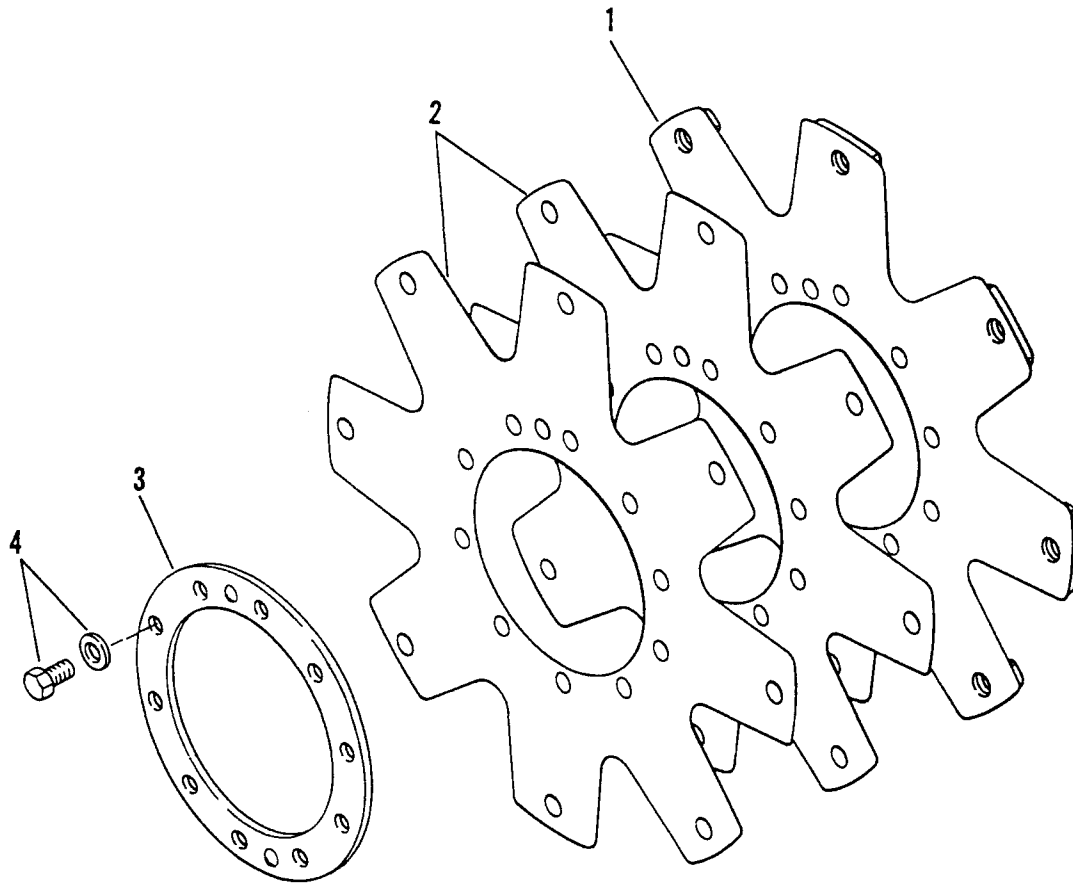
CONVERTER HOUSING / CASE & COVER

DRAWING NUMBER P1-2032

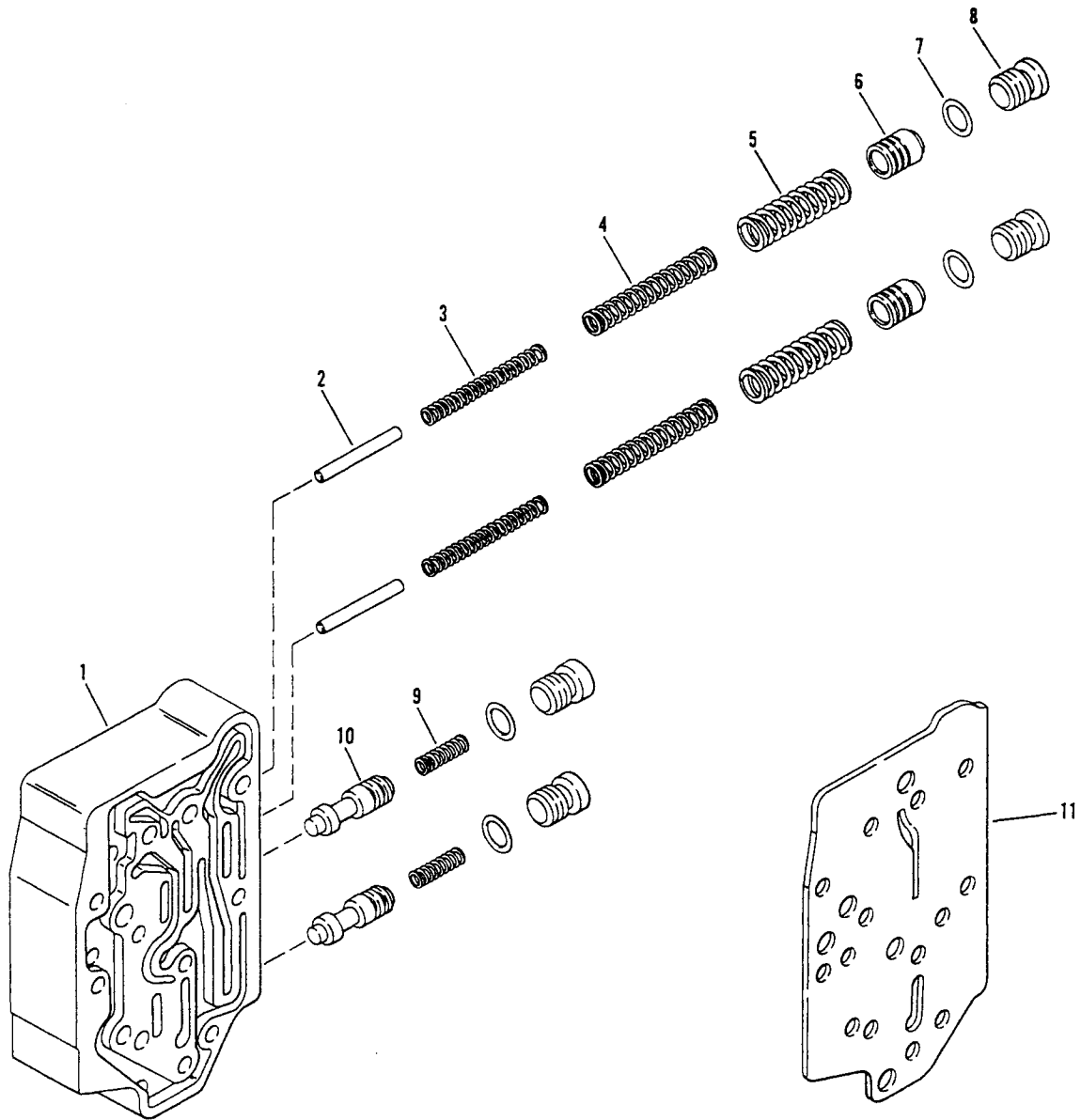
ITEM	NUMBER	DESCRIPTION	REQD
1	7-126-04	PIPE PLUG	1
2	7-126-05	BREATHER / AIR	1
3	7-126-260	HOUSING ASSEMBLY / CONVERTER	1
4	7-126-07	PIPE PLUG	1
5	7-126-08	PIPE PLUG	1
6	7-126-09	SLEEVE / CONVERTER HOUSING	1
7	7-126-21	SLEEVE / TUBE	1
8	7-126-20	O-RING	1
9	7-126-08	PIPE PLUG	1
10	7-126-261	REAR COVER	1
11	7-126-10	LOCKWASHER	10
12	7-126-262	SCREW	10
13	7-126-263	CAP / BEARING	1
14	7-126-30	PLUG	1
15	7-126-262	SCREW	10
16	7-126-10	LOCKWASHER	10
17	7-126-264	GASKET	1
18	7-126-04	PIPE PLUG	1
19	7-126-33	DRAIN PLUG / MAGNETIC	1
20	7-126-265	PIPR PLUG	1
21	7-126-266	TUBE / CLUTCH LUBE	1
22	7-126-37	O-RING	1
23	7-126-267	SUCTION TUBE ASSEMBLY	1
24	7-126-41	TUBE SLEEVE	1
25	7-126-20	O-RING	1
26	7-126-14	LOCKWASHER	2
27	7-126-15	SCREW	2
28	7-126-268	GASKET	1
29	7-126-27	DOWEL PIN	1
30	7-126-21	TUBE SLEEVE	1
31	7-126-20	O-RING	1
32	7-126-22	O-RING	2
33	7-126-23	TUBE / LOW SPEED CLUTCH	1
34	7-126-04	PIPE PLUG	1
35	7-126-32	PIPE PLUG	1
36	7-126-269	TRANSMISSION CASE / See Note	1
37		See Items 50 & 51	
38	7-126-27	DOWEL PIN	2
39	7-126-10	LOCKWASHER	16
40	7-126-11	SCREW	16
41	7-126-08	PIPE PLUG	1
42	7-126-07	PIPE PLUG	1
43	7-126-12	GASKET	1
44	7-126-13	SCREEN ASSEMBLY	1
45	7-126-14	LOCKWASHER	1
46	7-126-15	SCREW	1
47	7-126-16	TUBE	1
48	7-126-17	O-RING	1
49	7-126-18	TUBE CLIP	1
50	7-126-270	TUBE ASSEMBLY	1
51	7-126-271	DIPSTICK	1



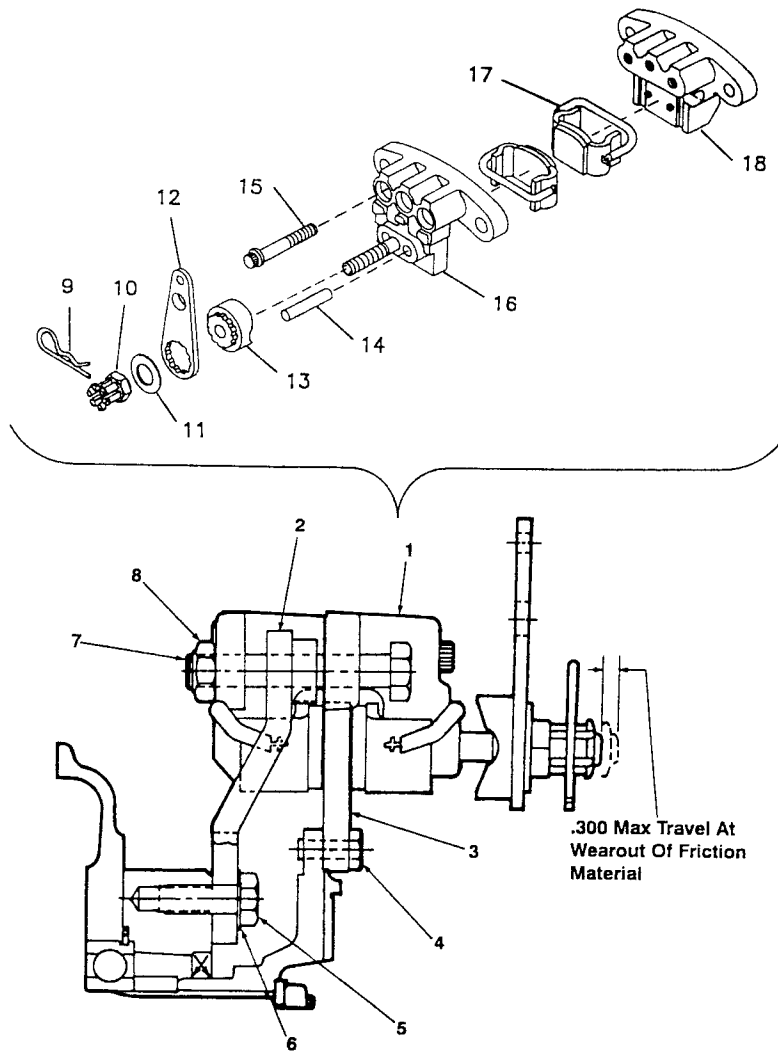
ITEM	NUMBER	DESCRIPTION	REQD
1	7-126-45	RETAINING RING	1
2	7-126-46	TURBINE SHAFT	1
3	7-126-47	BEARING	1
4	7-126-48	WASHER	1
5	7-126-49	RING	1
6	7-126-50	PISTON RING	1
7	7-126-51	SNAP RING	1
8	7-126-52	STATOR SUPPORT	1
9	7-126-53	SCREW	6
10	7-126-54	LOCKWASHER	6
11	7-126-55	SPRING	1
12	7-126-56	PISTON RING	1
13	7-126-57	OIL SEAL	1
14	7-126-58	OIL BAFFLE ASSEMBLY	1



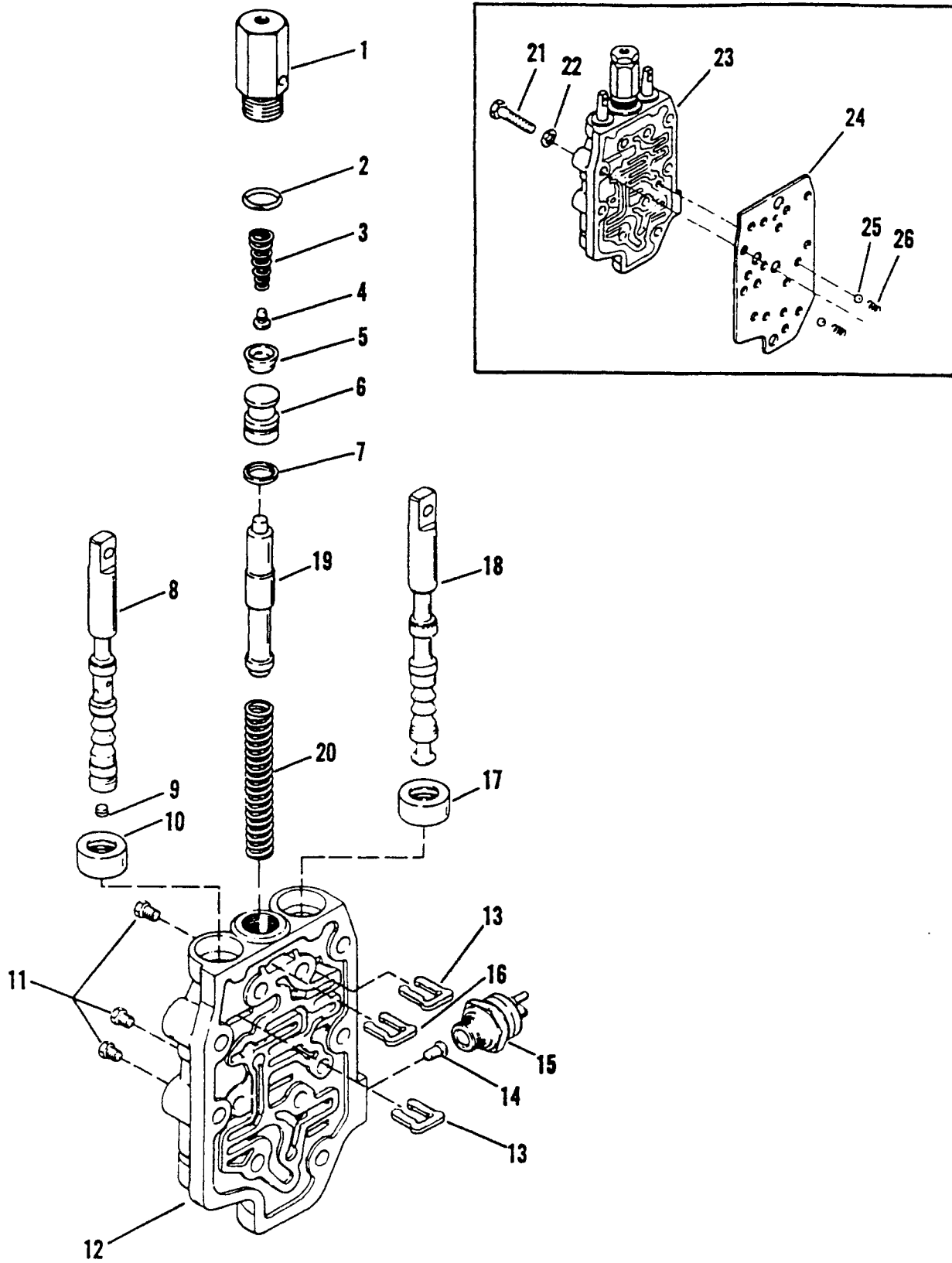
ITEM	NUMBER	DESCRIPTION	REQD
1	7-126-279	DRIVEPLATE ASSEMBLY	1
2		DRIVEPLATE / Included In Item 1	
3	7-126-60	RING	1
4	7-126-61	SCREW & LOCKWASHER	10



ITEM	NUMBER	DESCRIPTION	REQD
1	7-126-62	MODULATOR VALVE ASSEMBLY	1
2	7-126-63	PIN / ACCUMULATOR	2
3	7-126-64	SPRING / ACCUMULATOR / INNER	2
4	7-126-65	SPRING / ACCUMULATOR / OUTER	2
5	7-126-66	SPRING / ACCUMULATOR / OUTER	2
6		ACCUMULATOR VALVE / With Item (1)	
7	7-126-67	O-RING	4
8	7-126-68	STOP PLUG	4
9	7-126-69	SPRING	2
10		REGULATOR SPOOL / With Item (1)	
11	7-126-70	GASKET	1

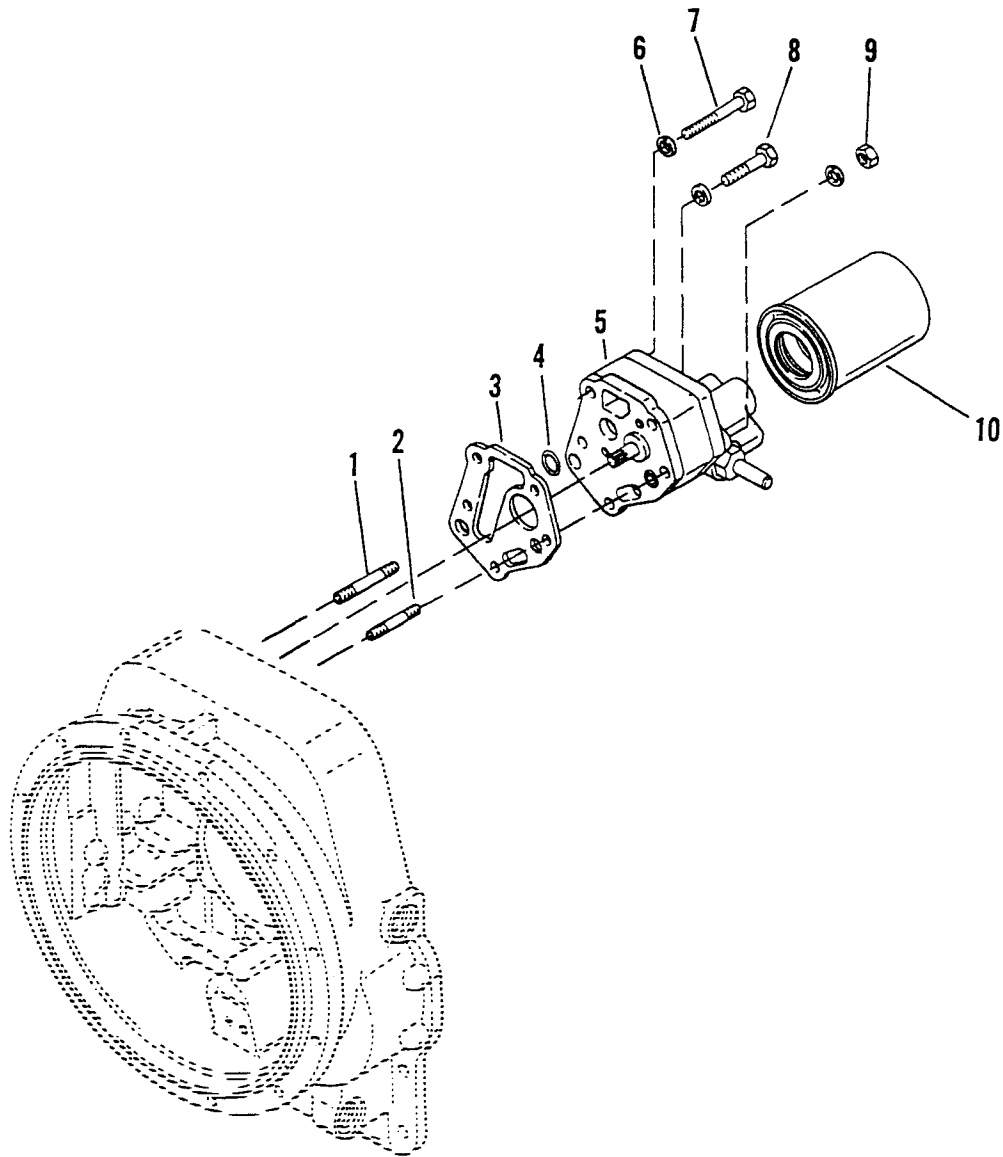


ITEM	NUMBER	DESCRIPTION	REQD
1	7-336-01	CALIPER ASSY (ITEMS 9 THRU 18)	REF
2	7-126-326	MOUNTING BRACKET ASSEMBLY	1
3	7-126-324	BRAKE DISC (.450 MIN.THICKNESS)	1
4	7-126-327	CAPSCREW	6
5	7-126-328	CAPSCREW	4
6	7-126-329	WASHER	4
7	7-126-330	CAPSCREW	2
8	7-126-331	NUT	2
9	7-336-10	COTTER PIN	1
10	7-336-11	CASTLE NUT	1
11	7-336-09	WASHER	1
12	7-336-08	LEVER	1
13	7-336-07	CAM	1
14	7-336-05	PUSH PIN	2
15	7-336-06	BOLT	3
16	7-336-04	CAM SIDE CASTING	1
17	7-336-02	PAD,HOLDER,SPRING ASSEMBLY	2
18	7-336-03	CARRIER SIDE SUB-ASSEMBLY	1
19	7-336-12	RELINING KIT / DISC BRAKE	REF

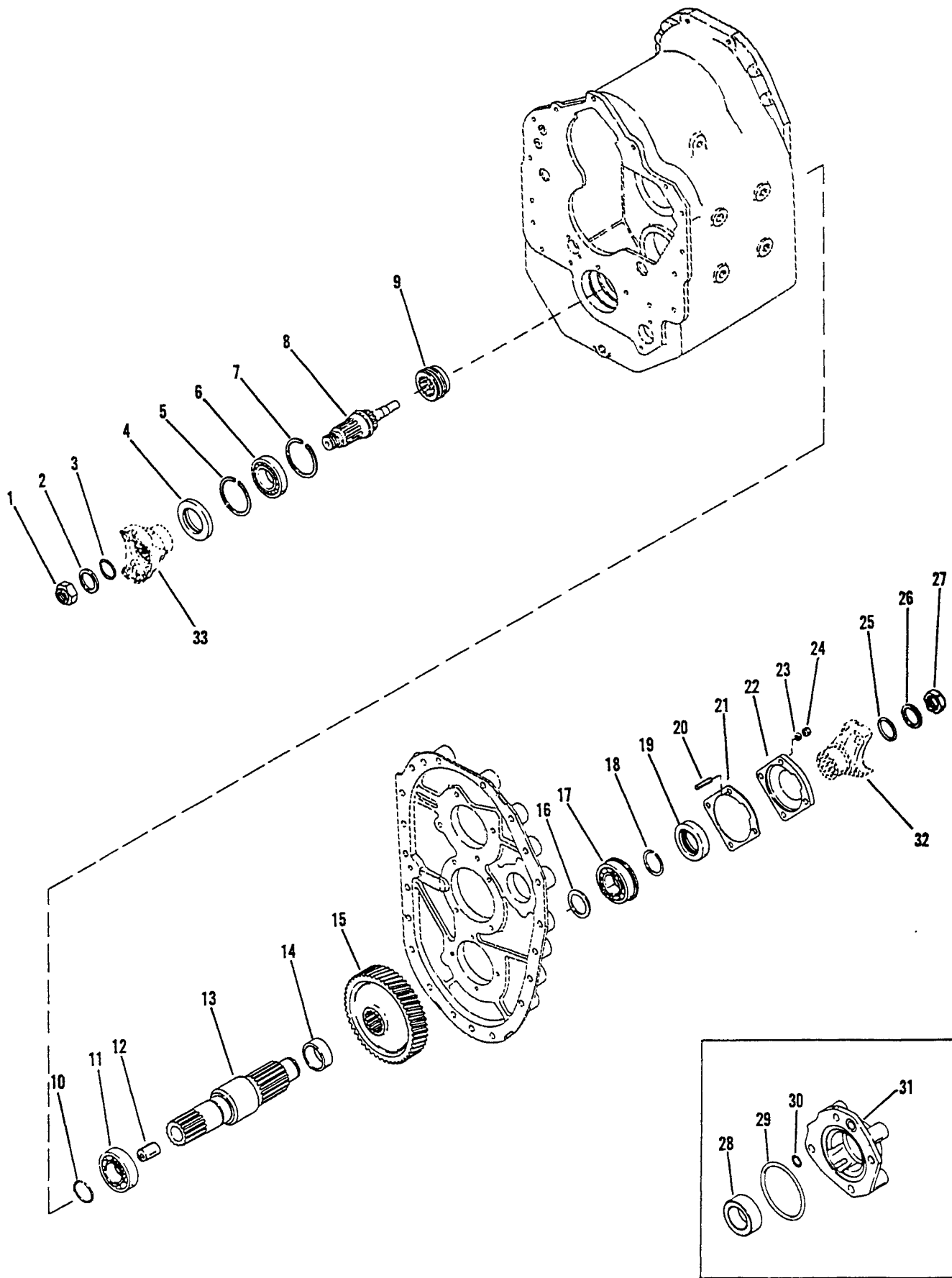


HYDRAULIC DECLUTCH

ITEM	NUMBER	DESCRIPTION	REQD
1	7-126-83	HYDRAULIC ACTUATOR	1
2	7-126-84	O-RING	1
3	7-126-85	SPRING	1
4		SPRING RETAINER PIN w/ ITEM 3	
5	7-126-86	PISTON SEAL	1
6	7-126-87	PISTON	1
7	7-126-88	RING ASSEMBLY	1
8	7-126-89	SPOOL & PLUG ASSEMBLY	1
9	7-126-90	PLUG	1
10	7-126-91	SEAL	1
11	7-126-92	PLUG	3
12	7-126-93	CONTROL VALVE HOUSING ASSY	1
13	7-126-94	SPOOL STOP	2
14	7-126-95	PIN	1
15	7-126-96	NEUTRAL SWITCH	1
16	7-126-94	SPOOL STOP	1
17	7-126-91	SEAL	1
18	7-126-97	FOR-REV VALVE SPOOL	1
19	7-126-98	VALVE SPOOL	1
20	7-126-346	SPRING	1
21	7-126-100	CAPSCREW	9
22	7-126-54	LOCKWASHER	9
23	7-126-347	CONTROL VALVE ASSEMBLY	1
24	7-126-300	GASKET	1
25	7-126-103	BALL / DETENT	2
26	7-126-104	SPRING / DETENT	2



ITEM	NUMBER	DESCRIPTION	REQD
1	7-126-105	STUD / PUMP MOUNT	1
2	7-126-106	STUD / PUMP MOUNT	1
3	7-126-107	GASKET	1
4	7-126-22	O-RING	1
5	7-126-108	CHARGING PUMP ASSEMBLY	1
6	7-126-10	LOCKWASHER	5
7	7-126-109	CAPSCREW	1
8	7-126-110	CAPSCREW	2
9	7-126-111	NUT	2
10	7-126-301	FILTER	1



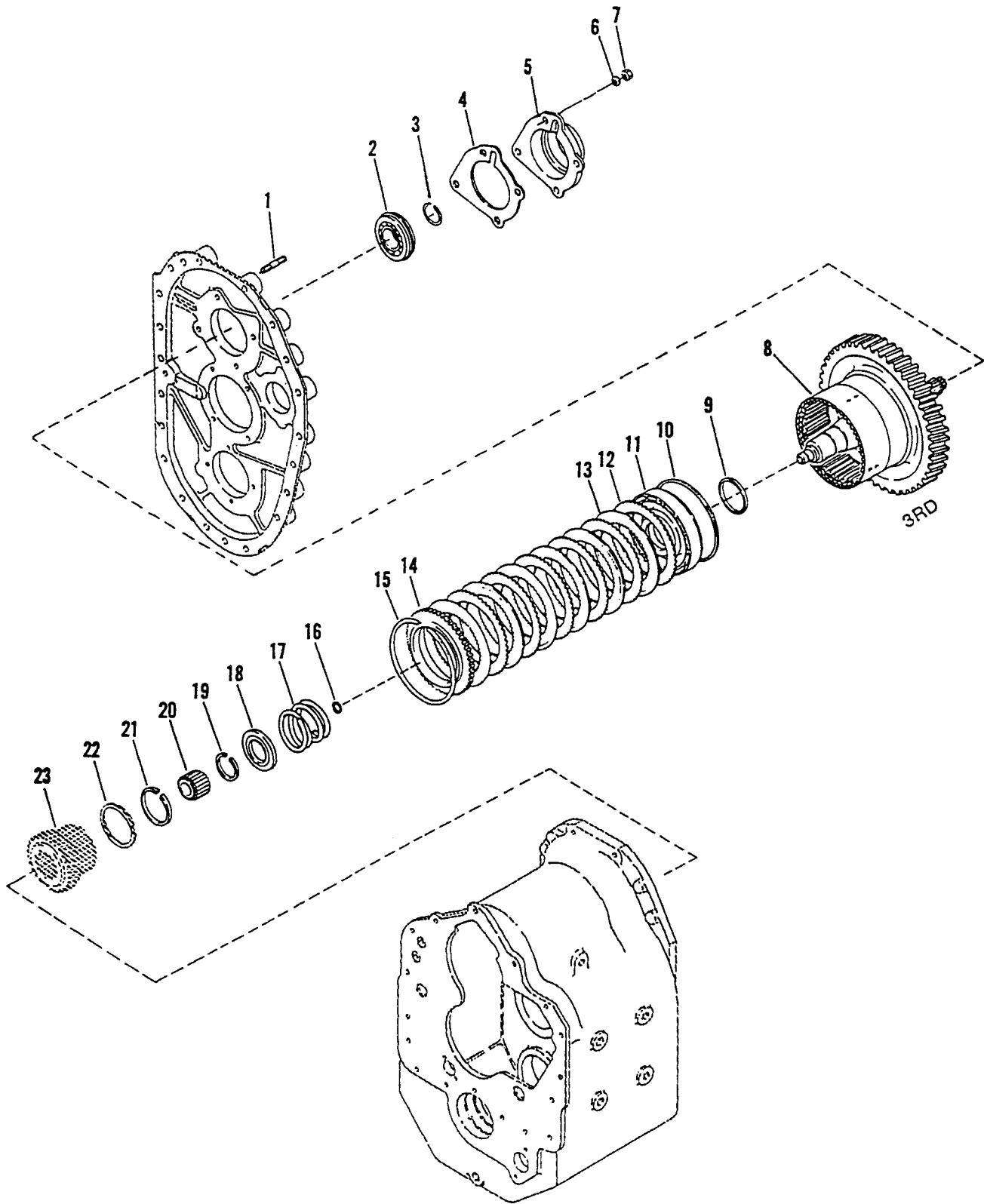
PARKING BRAKE
LESS SPEEDO GEAR

8 PAGE
NUMBER

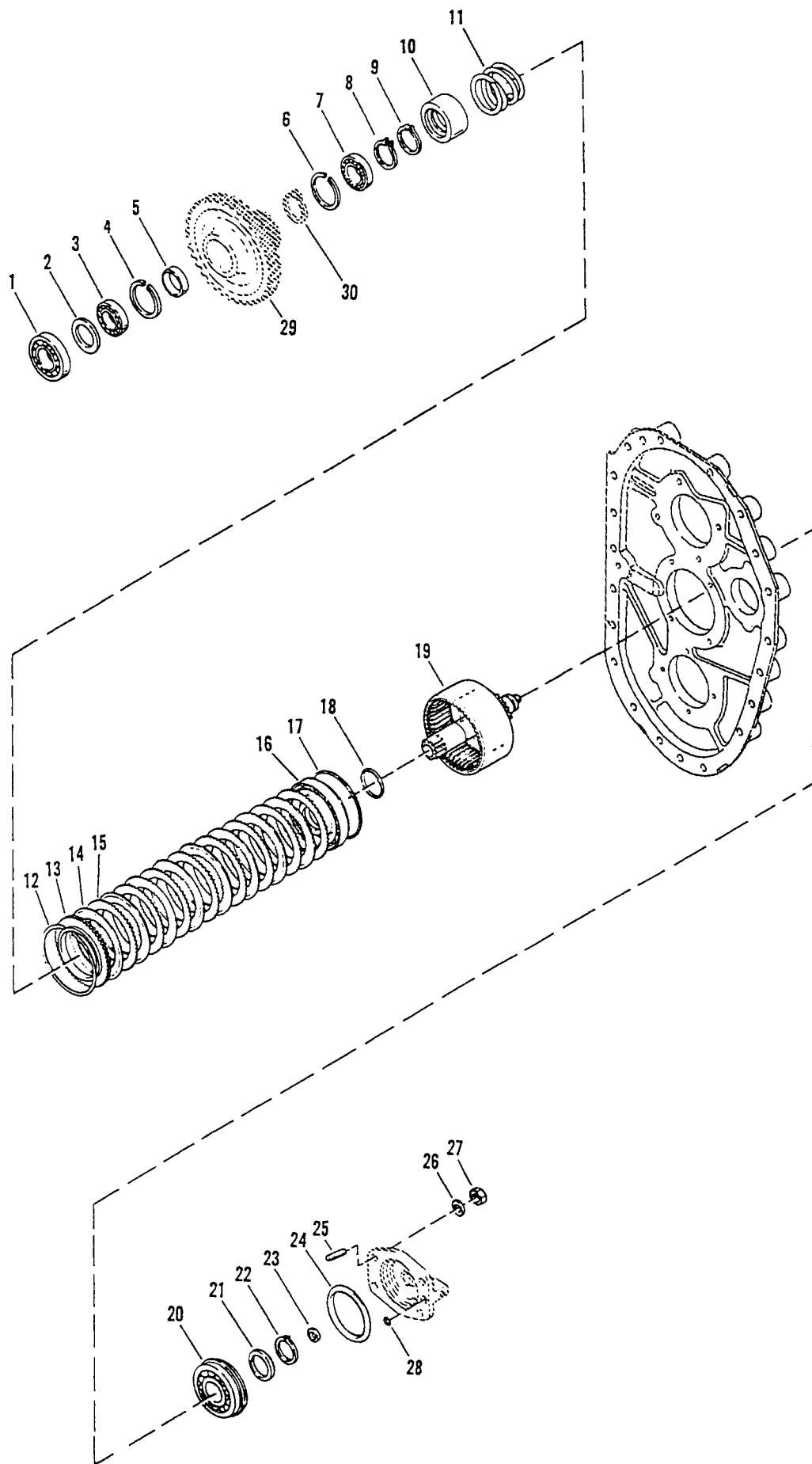
OUTPUT SHAFT GROUP

DRAWING
NUMBER P1-2039

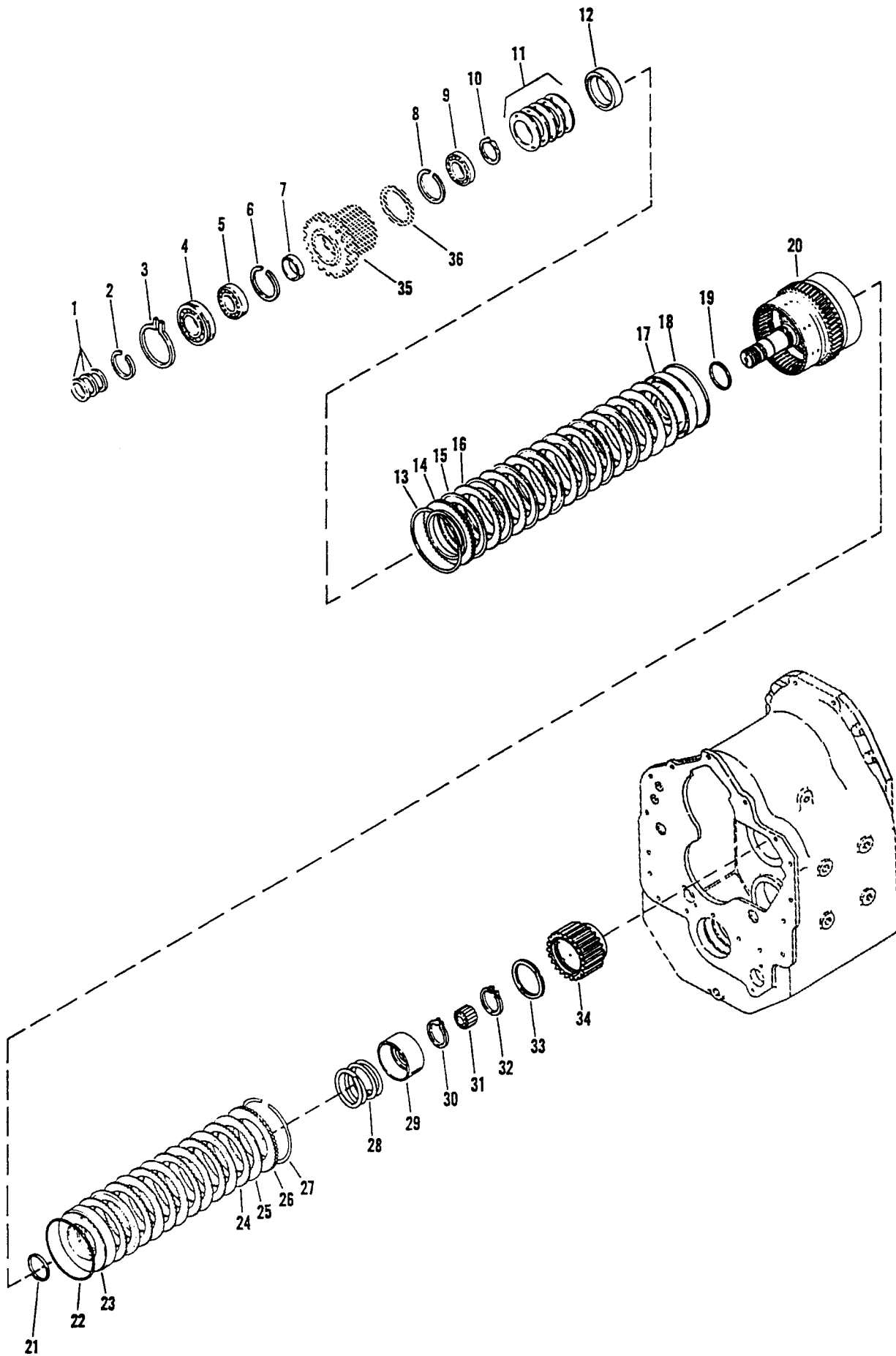
ITEM	NUMBER	DESCRIPTION	REQD
1	7-126-302	NUT / FLANGE	1
2	7-126-303	WASHER	1
3	7-126-304	O-RING	1
4	7-126-305	OIL SEAL	1
5	7-126-306	RETAINER RING	1
6	7-126-307	BEARING	1
7	7-126-308	RETAINER RING	1
8	7-126-309	SHAFT / DISCONNECT	1
9	7-126-310	DRIVE COUPLING	1
10	7-126-49	RETAINING RING	1
11	7-126-161	BEARING	1
12	7-126-311	BUSHING	1
13	7-126-312	OUTPUT SHAFT & BUSHING ASSEMBLY	1
14	7-126-125	SPACER	1
15	7-126-313	GEAR (48T)	1
16	7-126-123	SPACER	1
17	7-126-113	BEARING	1
18		Not Used On This Model	
19	7-126-114	OIL SEAL	1
20	7-126-115	STUD	4
21		Not Used On This Model	
22		See Item 31	
23	7-126-116	LOCKWASHER	4
24	7-126-117	NUT	4
25	7-126-118	O-RING	1
26	7-126-314	WASHER	1
27	7-126-315	FLANGE NUT	1
28	7-126-130	SPACER	1
29	7-126-129	O-RING	1
30	7-126-128	O-RING	1
31	7-126-127	CAP / BEARING	1
32	7-126-255	BRAKE FLANGE	1
33	7-126-319	OUTPUT FLANGE	1



ITEM	NUMBER	DESCRIPTION	REQD
1	7-126-291	STUD	4
2	7-126-133	BEARING	1
3	7-126-174	RETAINING RING	1
4	7-126-292	GASKET	1
5	7-126-293	CAP / BEARING	1
6	7-126-54	LOCKWASHER	4
7	7-126-294	NUT	4
8	7-126-295	DRUM & HUB / CLUTCH SHAFT	1
9	7-126-144	PISTON RING	1
10	7-126-145	PISTON RING	1
11	7-126-146	CLUTCH PISTON ASSEMBLY	1
12	7-126-147	DISC / OUTER	6
13	7-126-148	DISC / INNER	6
14	7-126-149	DISC / BACKING PLATE	1
15	7-126-150	SNAP RING	1
16	7-126-170	RING	1
17	7-126-151	SPRING	1
18	7-126-152	RETAINER / SPRING	1
19	7-126-153	SNAP RING	1
20	7-126-296	BEARING / PILOT	1
21	7-126-210	RETAINER RING	1
22	7-126-45	RETAINING RING	1
23	7-126-318	GEAR / 3rd	1



ITEM	NUMBER	DESCRIPTION	REQD
1	7-126-161	BEARING	1
2	7-126-162	SPACER	1
3	7-126-156	BEARING	1
4	7-126-163	RING	1
5	7-126-164	SPACER	1
6	7-126-163	RING	1
7	7-126-156	BEARING	1
8	7-126-165	RETAINING RING	1
9	7-126-153	SNAP RING	1
10	7-126-152	RETAINER / SPRING	1
11	7-126-151	SPRING	1
12	7-126-150	SNAP RING	1
13	7-126-149	DISC / BACKING PLATE	1
14	7-126-166	DISC / INNER	8
15	7-126-147	DISC / OUTER	8
16	7-126-167	PISTON / CLUTCH	1
17	7-126-145	SEAL	1
18	7-126-144	SEAL	1
19	7-126-290	SHAFT & DRUM / LOW CLUTCH	1
20	7-126-169	BEARING	1
21	7-126-48	WASHER	1
22	7-126-165	RETAINING RING	1
23	7-126-170	PISTON RING	1
24	7-126-171	O-RING	1
25	7-126-141	STUD	4
26	7-126-10	LOCKWASHER	4
27	7-126-111	NUT	4
28	7-126-173	O-RING	1
29	7-126-317	GEAR	1
30	7-126-45	RETAINER RING	1

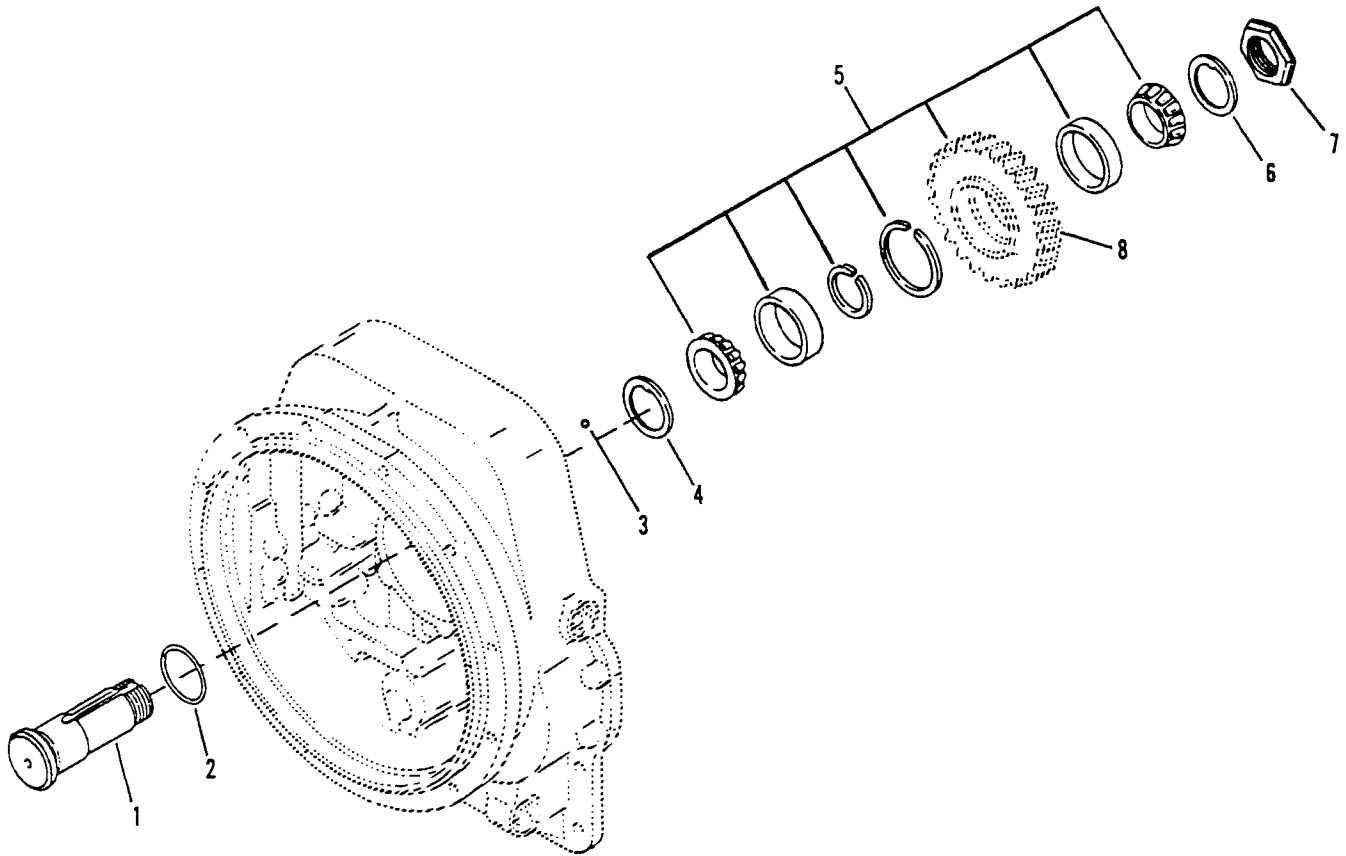


11 PAGE
NUMBER

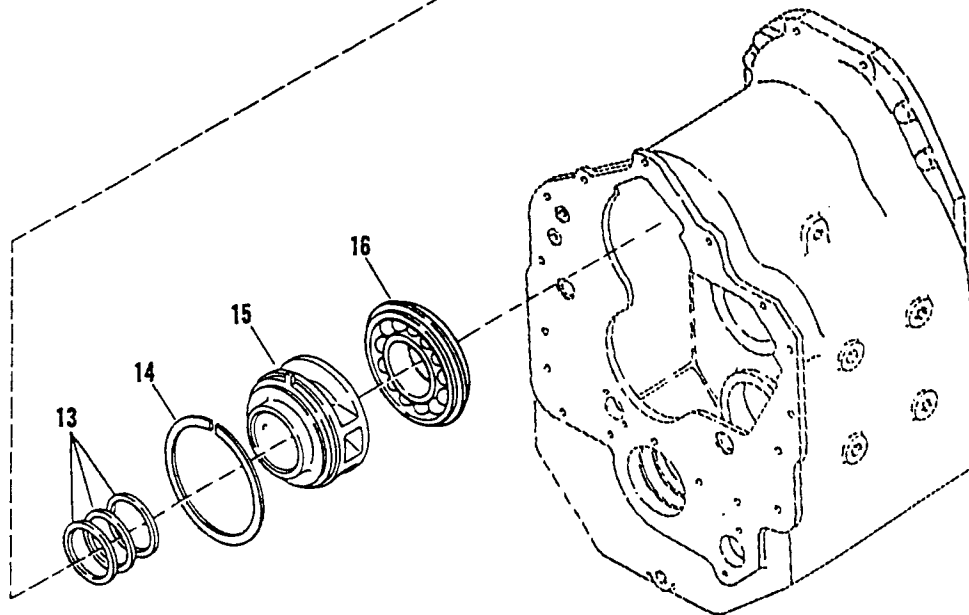
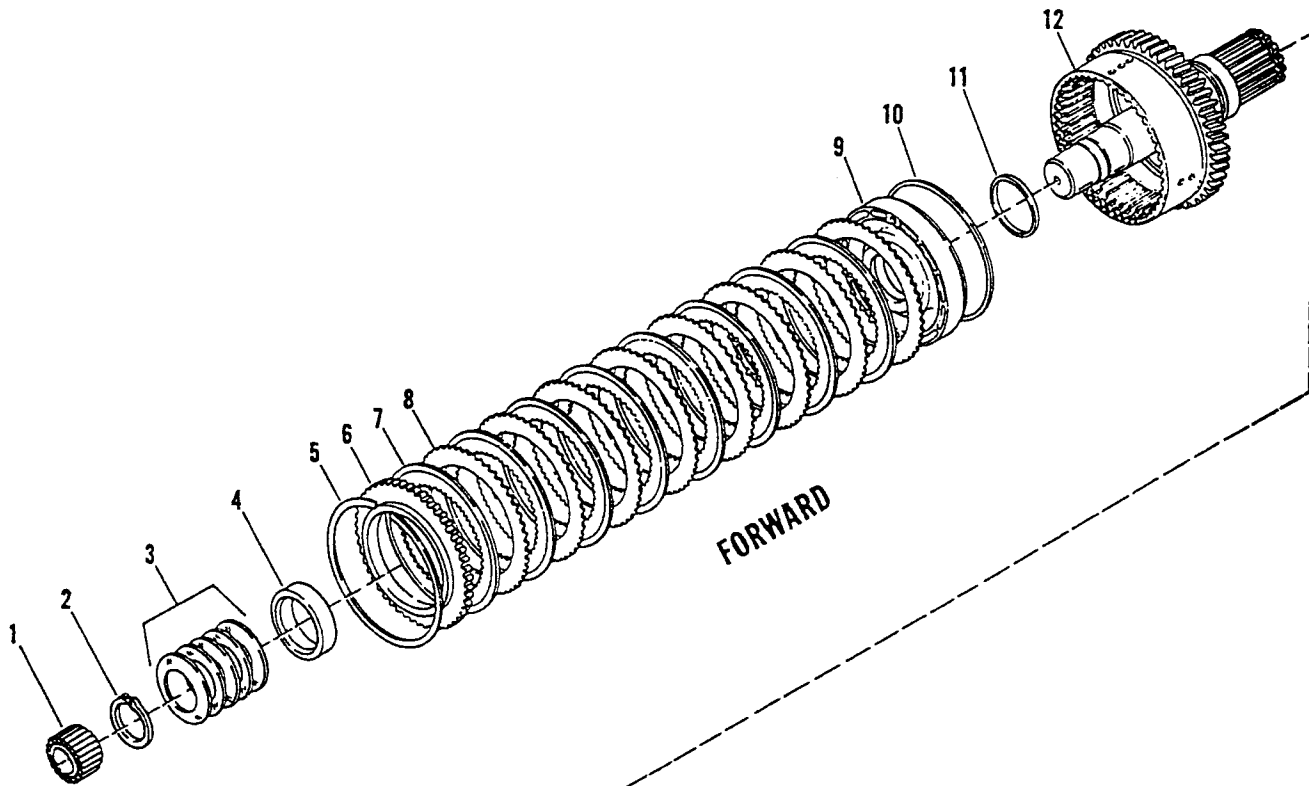
REVERSE & 2nd SHAFT GROUP

DRAWING
NUMBER P1-2042

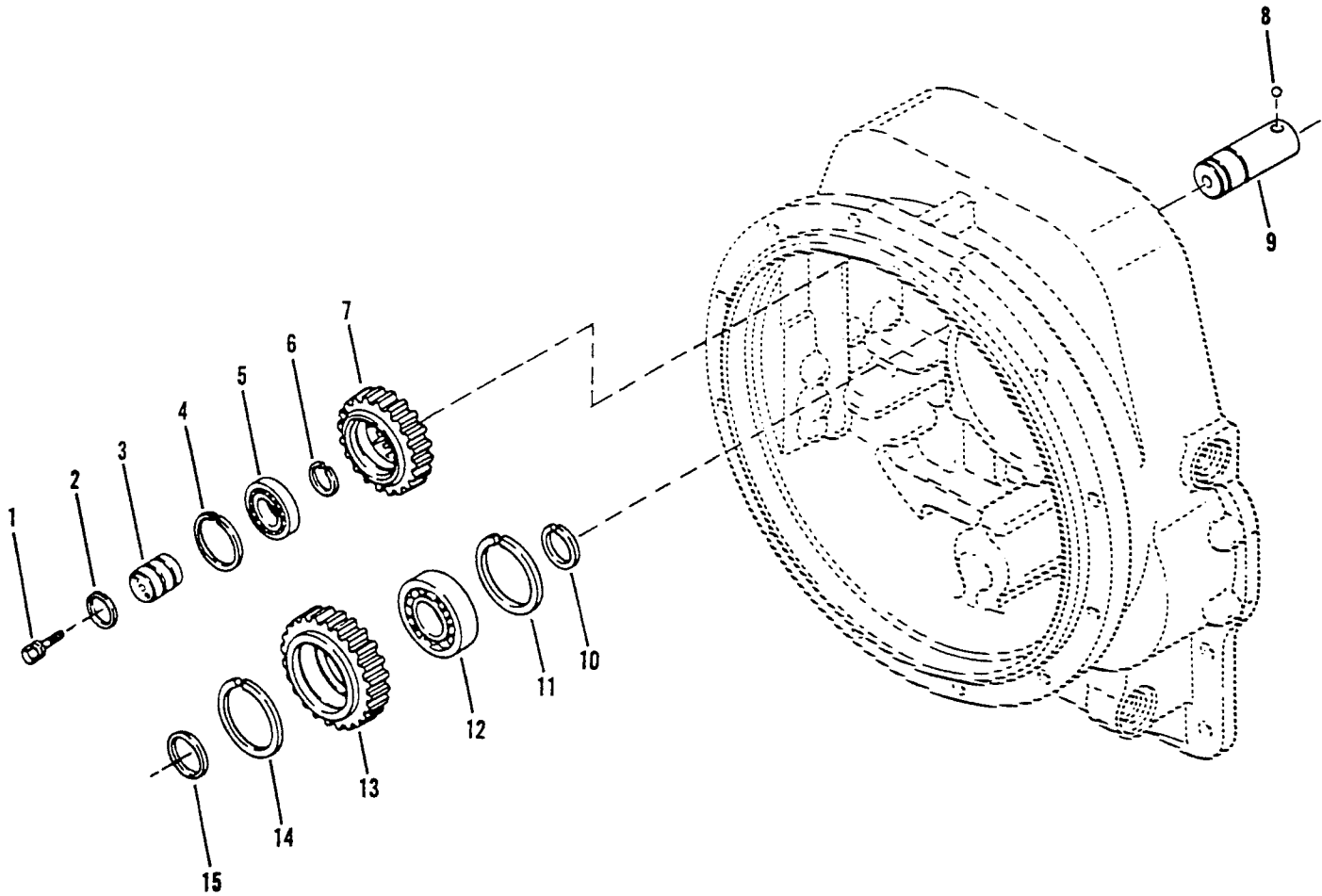
ITEM	NUMBER	DESCRIPTION	REQD
1	7-126-158	PISTON RING	3
2	7-126-174	RING	1
3	7-126-175	SNAP RING	1
4	7-126-176	BEARING	1
5	7-126-177	BEARING	1
6	7-126-178	RETAINER RING	1
7	7-126-179	SPACER	1
8	7-126-178	RETAINER RING	1
9	7-126-180	BEARING	1
10	7-126-181	SNAP RING	1
11	7-126-182	SPRING	5
12	7-126-183	SPACER	1
13	7-126-150	SNAP RING	1
14	7-126-149	DISC / BACKING PLATE	1
15	7-126-148	DISC / INNER	8
16	7-126-147	DISC / OUTER	8
17	7-126-184	CLUTCH PISTON	1
18	7-126-145	SEAL	1
19	7-126-144	SEAL	1
20	7-126-185	DRUM / REVERSE-2nd	1
21	7-126-144	SEAL	1
22	7-126-145	SEAL	1
23	7-126-146	CLUTCH PISTON ASSEMBLY	1
24	7-126-147	DISC / OUTER	6
25	7-126-148	DISC / INNER	6
26	7-126-149	DISC / BACKING PLATE	1
27	7-126-150	SNAP RING	1
28	7-126-151	SPRING	1
29	7-126-152	RETAINER / SPRING	1
30	7-126-153	SNAP RING	1
31	7-126-154	BEARING	1
32	7-126-165	RING	1
33	7-126-45	RETAINER RING	1
34	7-126-186	HUB / 2nd	1
35	7-126-316	GEAR / REVERSE	1
36	7-126-45	RETAINING RING / With Item (35)	1



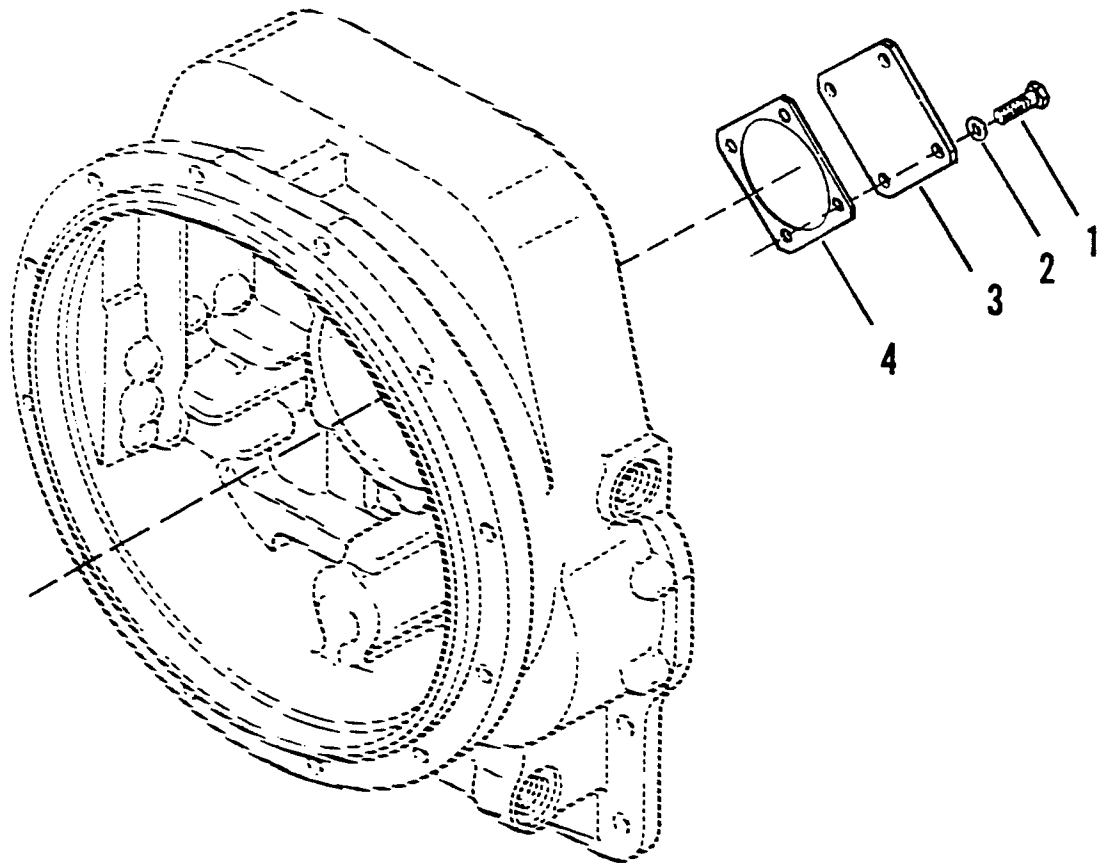
ITEM	NUMBER	DESCRIPTION	REQD
1	7-126-284	SHAFT / REVERSE IDLER	1
2	7-126-285	O-RING	1
3	7-126-286	LOCKBALL	1
4	7-126-287	THRUST PLATE	1
5	7-126-191	BEARING & IDLER GEAR ASSEMBLY	1
6	7-126-287	THRUST PLATE	1
7	7-126-288	NUT / BEARING RETAINER	1
8	7-126-190	GEAR (37T)	1



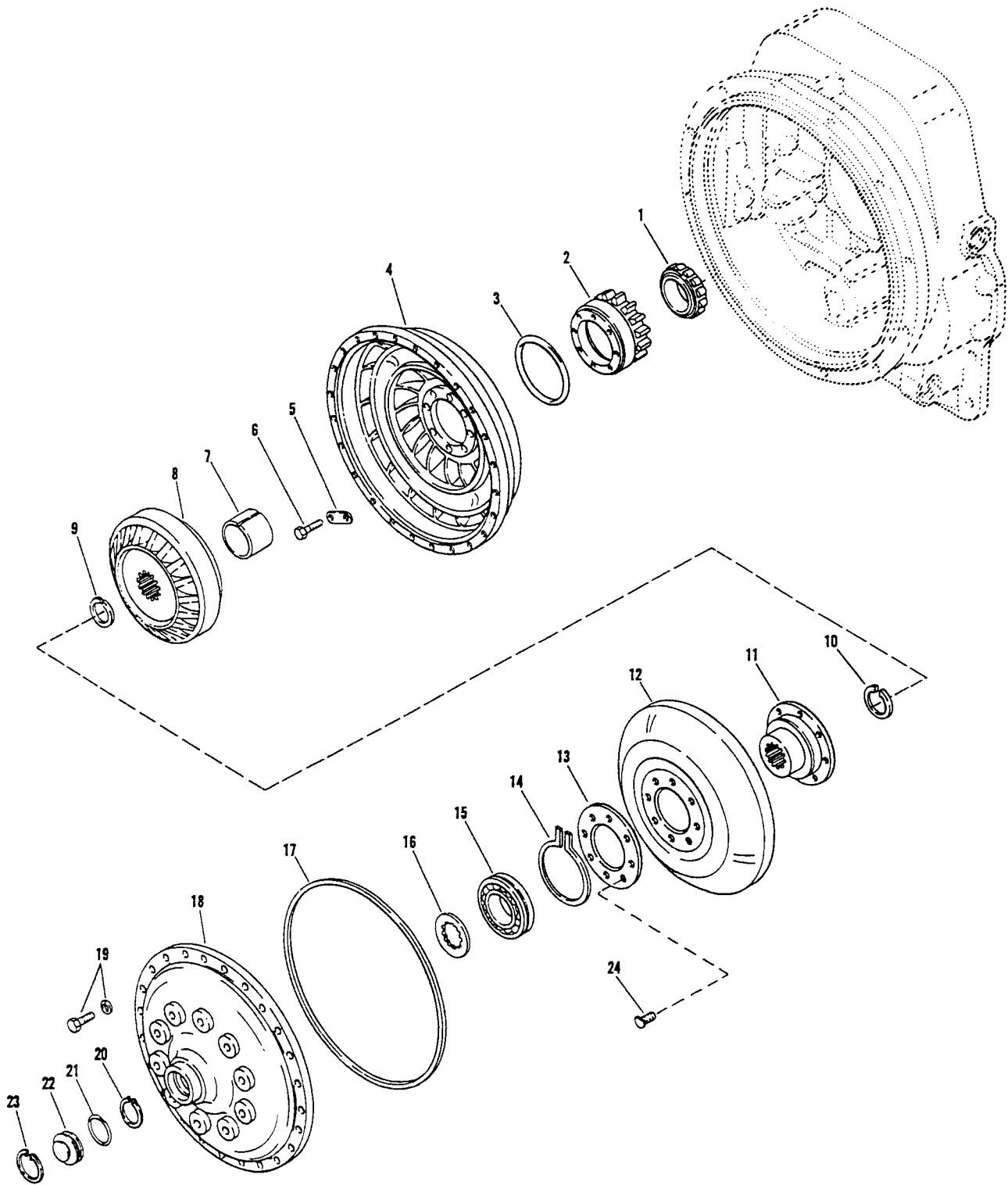
ITEM	NUMBER	DESCRIPTION	REQD
----	-----	-----	-----
1	7-126-195	BEARING	1
2	7-126-181	SNAP RING	1
3	7-126-182	SPRING	5
4	7-126-183	SPACER	1
5	7-126-150	SNAP RING	1
6	7-126-149	DISC / BACKING PLATE	1
7	7-126-148	DISC / INNER	8
8	7-126-147	DISC / OUTER	8
9	7-126-184	CLUTCH PISTON	1
10	7-126-145	SEAL	1
11	7-126-144	SEAL	1
12	7-126-289	DRUM ASSEMBLY / FORWARD	1
13	7-126-197	PISTON RING	3
14	7-126-198	RETAINING RING	1
15	7-126-199	SLEEVE	1
16	7-126-200	BEARING	1



ITEM	NUMBER	DESCRIPTION	REQD
1	7-126-202	SCREW & WASHER	2
2	7-126-203	RING	1
3	7-126-204	BEARING SUPPORT	1
4	7-126-205	RETAINING RING	1
5	7-126-206	BEARING	1
6	7-126-203	RING	1
7	7-126-207	GEAR / PUMP DRIVE	1
8	7-126-208	BALL	1
9	7-126-209	STUB SHAFT	1
10	7-126-203	RING	1
11	7-126-280	RETAINING RING	1
12	7-126-281	BEARING	1
13	7-126-212	GEAR / IDLER	1
14	7-126-282	RETAINING RING	1
15	7-126-203	RING	1

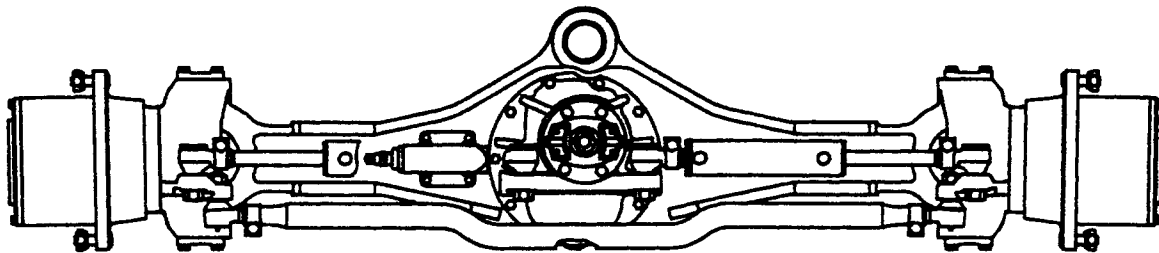


ITEM	NUMBER	DESCRIPTION	REQD
1	7-126-214	CAPSCREW	4
2	7-126-215	LOCKWASHER	4
3	7-126-259	COVER	1
4	7-126-283	GASKET	1



ITEM	NUMBER	DESCRIPTION	REQD
1	7-126-225	BEARING	1
2	7-126-224	GEAR / IMPELLER HUB	1
3	7-126-223	O-RING	1
4	7-126-222	IMPELLER	1
5	7-126-221	LOCK TAB	4
6	7-126-220	SCREW	8
7	7-126-273	SPACER / BEARING	1
8	7-126-218	REACTION MEMBER	1
9	7-126-217	RETAINING RING	1
10	7-126-226	RETAINING RING	1
11	7-126-274	TURBINE HUB	1
12	7-126-275	TURBINE	1
13	7-126-276	RING / HUB	1
14	7-126-228	RING	1
15	7-126-229	BEARING	1
16	7-126-230	WASHER	1
17	7-126-231	O-RING	1
18	7-126-232	COVER / IMPELLER	1
19	7-126-236	SCREW & LOCKWASHER	24
20	7-126-226	RETAINING RING	1
21	7-126-233	O-RING	1
22	7-126-234	PLUG	1
23	7-126-277	RETAINING RING	1
24	7-126-278	SCREW	12

FRONT AXLE
PARTS BOOK
SS-1048
SS-842

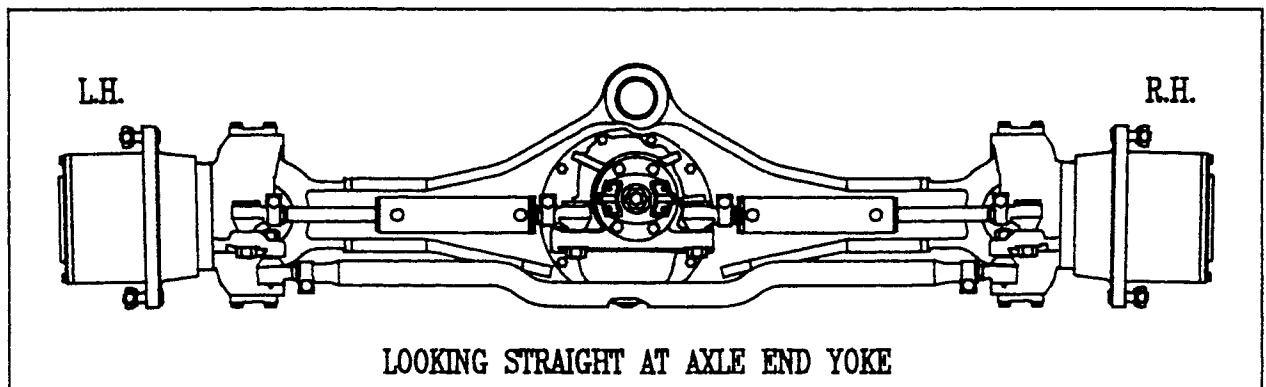


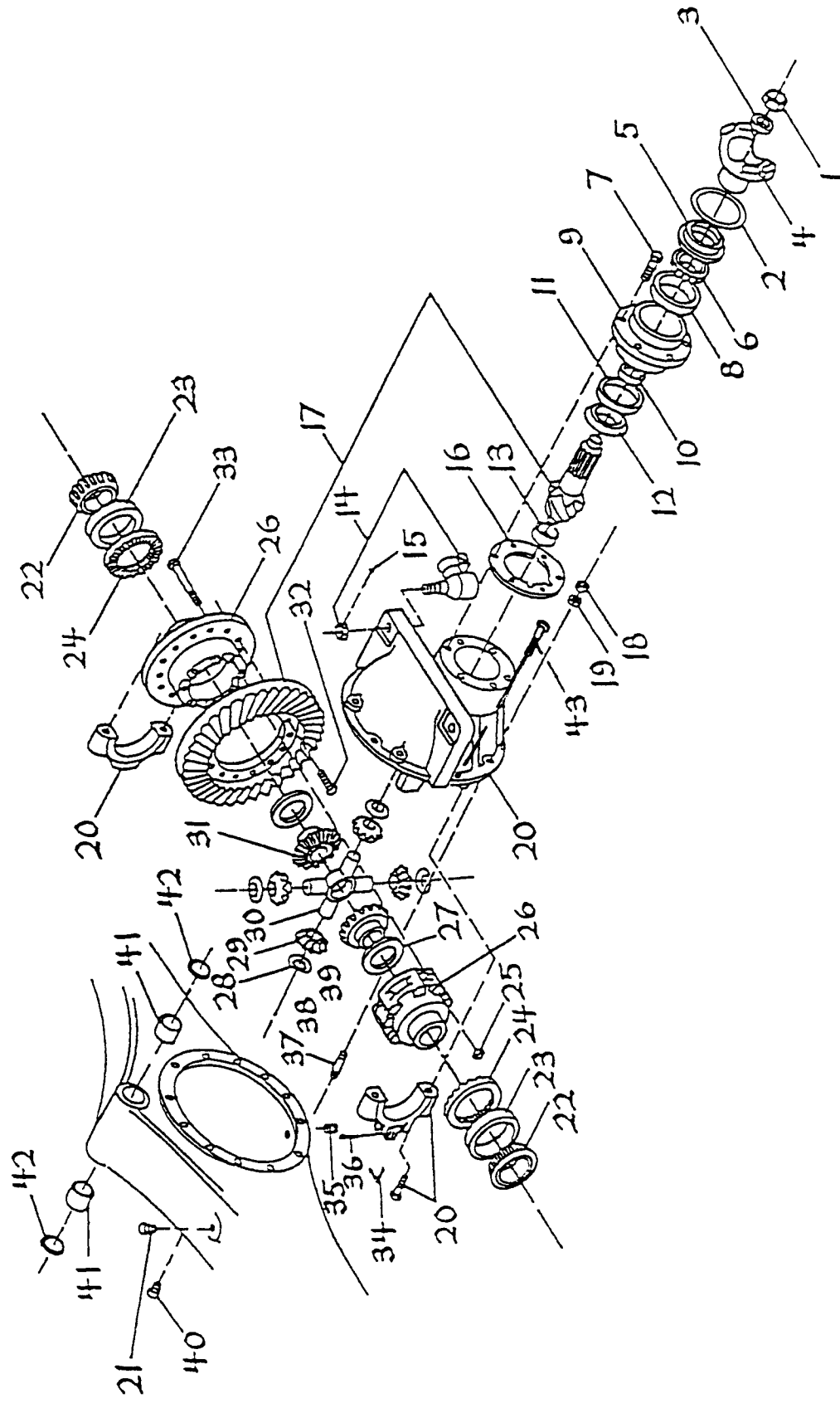
DATE: 10-16-96
SPICER PS-1350 AXLE
WITH DIFFERENTIAL LOCK
7-229-337 STEERING CYLINDERS

BARAGA PRODUCTS, INC.
455 N. Superior Ave.
Baraga, MI 49908-0248
Ph. (906) 353-6675 Fax (906) 353-7543

AXLE PARTS ORDERING GUIDE

WHEN ORDERING FROM THIS BOOK USE THE FIGURE BELOW AS A REFERENCE IN DETERMINING LEFT OR RIGHT HAND SIDE. WHEN ORDERING PARTS FOR STEERING CYLINDERS THE OPERATOR'S COMPARTMENT MUST BE USED AS THE REFERENCE IN DETERMINING FRONT OR REAR AND LEFT OR RIGHT HAND SIDE.





1

PAGE NUMBER

CARRIER HOUSING / PS-1350 FRONT AXLE
SS-842 / SS-1048 SQUARE SHOOTER

DRAWING NUMBER

P3-1294

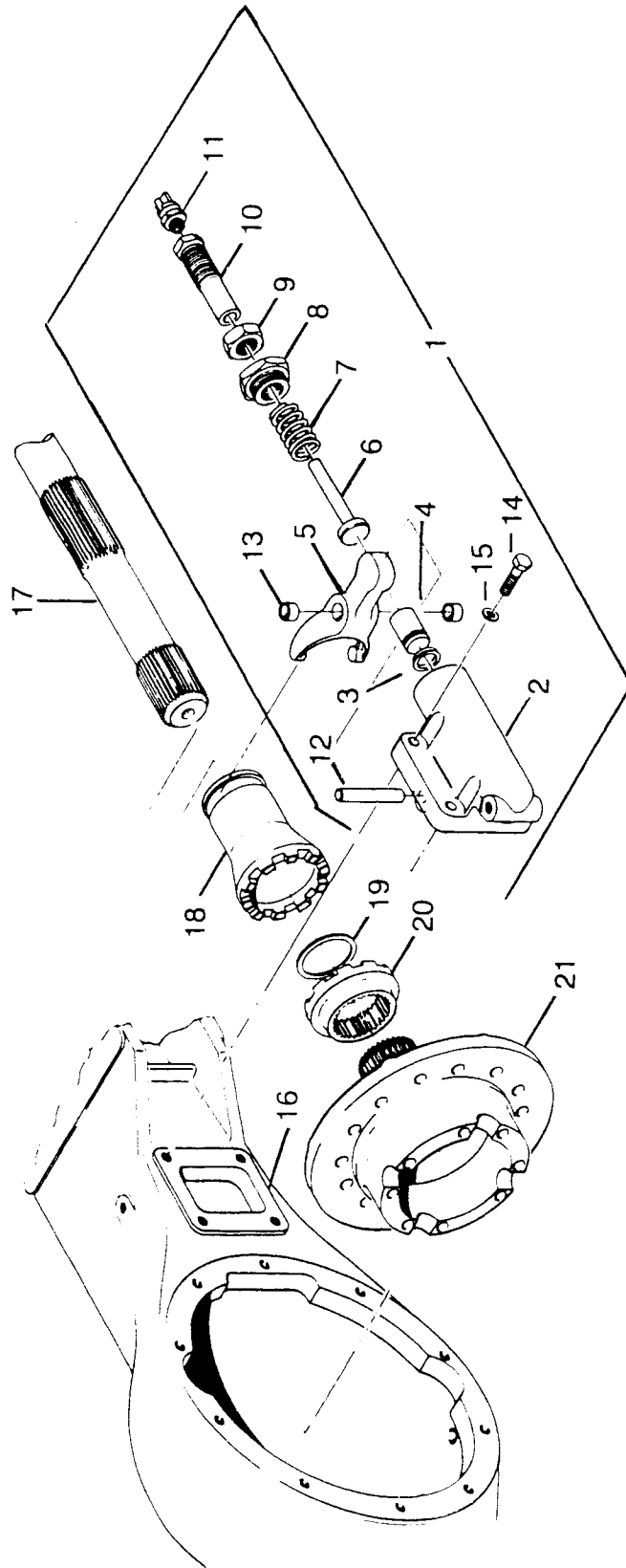
ITEM	NUMBER	DESCRIPTION	REQD
1	7-229-238	NUT / PINION	1
2	7-229-239	DUST SLINGER	1
3	7-229-28	WASHER / FLAT	1
4	7-229-248	END YOKE	1
5	7-229-30	SEAL	1
6	7-229-31	BEARING / CONE	1
7	7-229-33	BOLT	6
8	7-229-34	BEARING / CUP	1
9	7-229-232	CAP / BEARING RETAINER	1
10	SEE TABLE	SPACER	1
11	7-229-34	BEARING / CUP	1
12	7-229-31	BEARING / CONE	1
13	7-229-37	BEARING ASSEMBLY	1
14	7-229-10	END / STEERING CYLINDER	2
15	7-229-38	COTTER PIN	2
16	SEE TABLE	SHIM	
17	7-229-40	RING GEAR & PINION ASSEMBLY	1
18	7-229-41	NUT / LOCK	9
19	7-229-42	WASHER / FLAT	10
20	7-229-233	CARRIER SUB-ASSEMBLY	1
21	7-229-61	VENT	1
22	7-229-44	BEARING / CONE	2
23	7-229-43	BEARING / CUP	2
24	7-229-129	ADJUSTING RING / DIFFERENTIAL	2
25	7-229-45	NUT / LOCK	8
26	7-229-310	KIT / DIFFERENTIAL CASE ASSEMBLY	1
27	7-229-47	THRUST WASHER	2
28	7-229-48	THRUST WASHER	4
29	7-229-49	PINION / DIFFERENTIAL	4
30	7-229-50	SHAFT / DIFFERENTIAL CROSS	1
31	7-229-51	GEAR / DIFFERENTIAL	2
32	7-229-52	RIVET / SOLID	14
33	7-229-53	BOLT	8
34	7-229-240	LOCK / BEARING ADJUSTING RING	2
35	7-229-55	PLUG / MAGNETIC DRAIN	1
36	7-229-56	COTTER PIN	2
37	7-229-57	STUD / 2.00 LG.	6
38	7-229-58	STUD / 2.38 LG.	2
39	7-229-59	STUD / 2.81 LG.	2
40	7-229-60	PLUG	1
41	7-229-227	BUSHING	2
42	7-229-252	OIL SEAL / AXLE PIN	2
43	7-229-332	BOLT	1
44			
45			
46			
47		SEE SPACER AND SHIM	
48		TABLE ON NEXT PAGE	
49			
50			
51			
52			
53			
54			

DRAWING
NUMBER P3-1294

CARRIER HOUSING / PS-1350 FRONT AXLE
SS-842 / SS-1048 SQUARE SHOOTER

PAGE
NUMBER 1A

ITEM	NUMBER	DESCRIPTION	REQD
55		SPACER TABLE (ITEM 10)	
56			
57	7-229-246	SPACER / PINION BEARING .528/.527	
58	7-229-247	SPACER / PINION BEARING .529/.528	
59	7-229-241	SPACER / PINION BEARING .530/.529	
60	7-229-120	SPACER / PINION BEARING .531/.530	
61	7-229-242	SPACER / PINION BEARING .532/.531	
62	7-229-243	SPACER / PINION BEARING .533/.532	
63	7-229-244	SPACER / PINION BEARING .534/.533	
64	7-229-245	SPACER / PINION BEARING .535/.534	
65			
66		SHIM TABLE (ITEM 16)	
67			
68	7-229-124	SHIM / PINION BEARING .005	
69	7-229-39	SHIM / PINION BEARING .010	
70	7-229-123	SHIM / PINION BEARING .030	

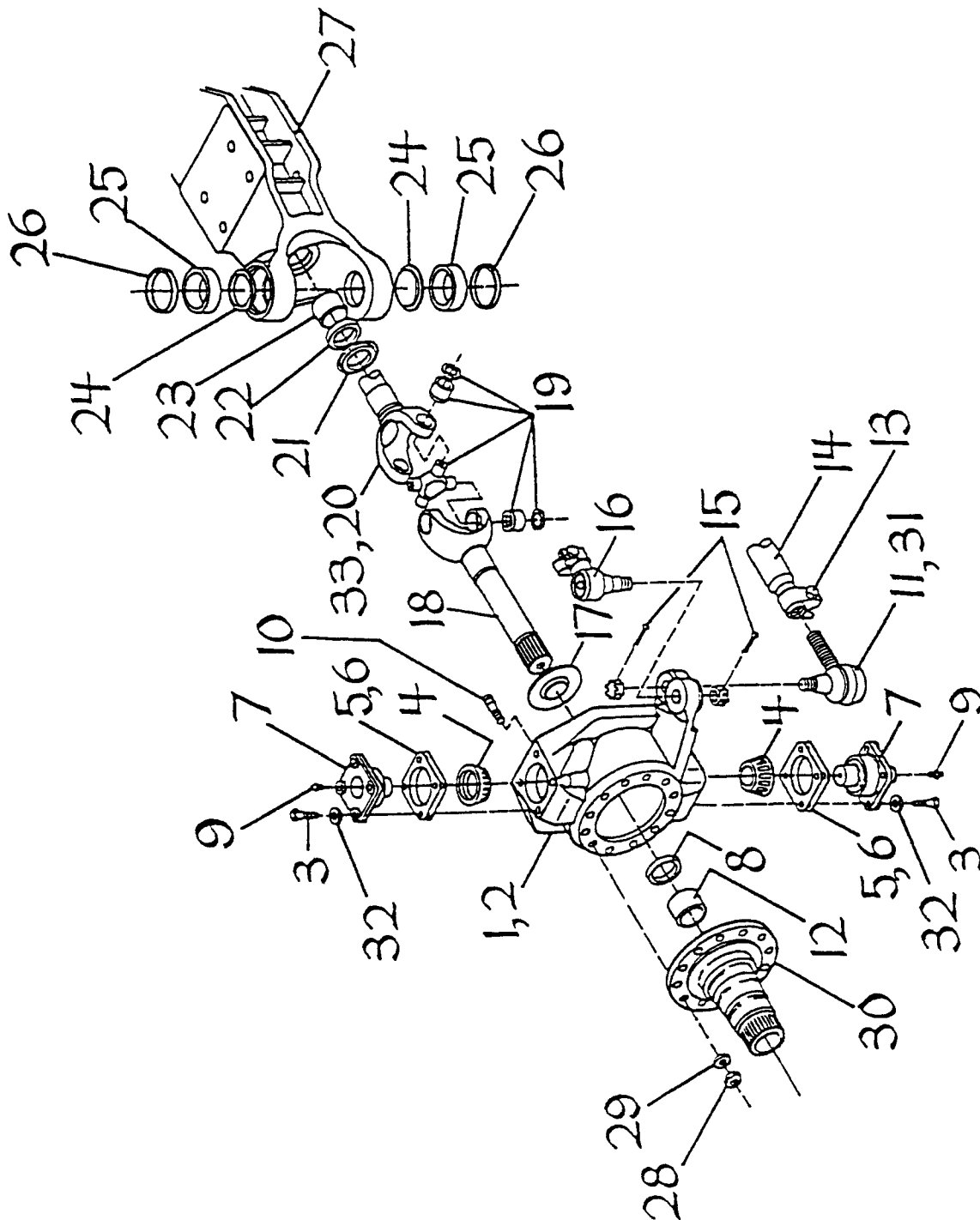


ITEM	NUMBER	DESCRIPTION	REQD
1	7-229-312	SHIFTER ASSEMBLY (ITEMS WITH *)	REF
2	7-229-313	SHIFTER HOUSING *	1
3	7-229-314	SEAL *	1
4	7-229-315	PISTON *	1
5	7-229-316	SHIFT FORK *	1
6	7-229-317	ROD *	1
7	7-229-318	SPRING *	1
8	7-229-319	RETAINER *	1
9	7-229-320	NUT *	1
10	7-229-321	SCREW *	1
11	7-229-322	INDICATOR SWITCH *	1
12	7-229-323	SHAFT *	1
13	7-229-324	BUSHING *	2
14	7-229-325	BOLT	4
15	7-229-326	WASHER	4
16	-----	GASKET SEALER	REF
17	7-229-328	LH SHAFT / INNER	REF
18	7-229-329	COLLAR	1
19	7-229-330	RING / RETAINING	1
20	7-229-331	COLLAR	1
21	7-229-310	DIFFERENTIAL CASE ASSEMBLY	REF

DRAWING
NUMBER P3-1296

DIFFERENTIAL LOCK ASSEMBLY / PS-1350
SS-842 and SS-1048 FRONT AXLE

PAGE
NUMBER 2A



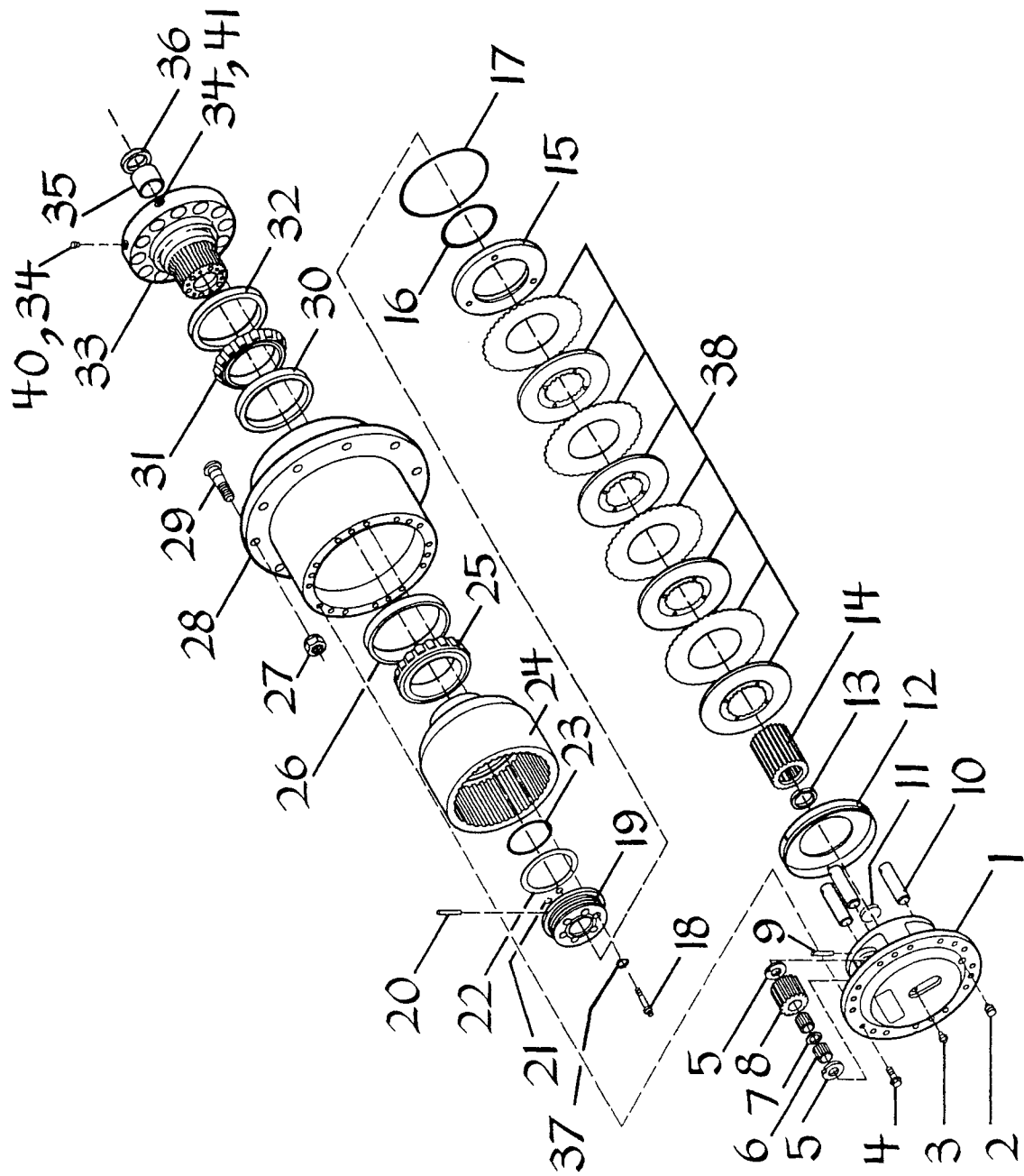
<p>3 PAGE NUMBER</p>	<p>OUTER END / PS-1350 FRONT AXLE SS-842 / SS-1048 SQUARE SHOOTER</p>	<p>DRAWING NUMBER P3-1295</p>
----------------------	---	-------------------------------

ITEM	NUMBER	DESCRIPTION	REQD
1	7-229-260	KNUCKLE / STEERING / RH	1
2	7-229-259	KNUCKLE / STEERING / LH	1
3	7-229-228	CAPSCREW 1/2	16
4	7-229-19	BEARING CONE / TRUNION	4
5	7-229-65	SHIM / KING PIN /.005	
6	7-229-66	SHIM / KING PIN /.010	
7	7-229-67	CAP / KING PIN	4
8	7-229-25	SEAL / SPINDLE	2
9	7-229-69	FITTING / GREASE	4
10	7-229-258	STUD / SPINDLE MOUNTING	24
11	7-229-26	TIE ROD END / 1 1/8-16 THD.	1
12	7-229-24	SPINDLE BUSHING	2
13	7-229-71	CLAMP / TIE ROD	2
14	7-229-284	TIE ROD	1
15	7-229-38	COTTER PIN	4
16	7-229-10	END / STEERING CYLINDER	2
17	7-229-12	DUST SLINGER / AXLE SHAFT	2
18	7-229-73	SHAFT	2
19	7-229-333	CROSS ASSEMBLY / U-JOINT	2
20	7-229-78	RH SHAFT / INNER	1
21	7-229-13	DUST SLINGER / AXLE SHAFT	2
22	7-229-15	SEAL / AXLE SHAFT	2
23	7-229-14	SUPPORT BUSHING / AXLE SHAFT	2
24	7-229-16	GREASE RETAINER / TRUNION	4
25	7-229-17	BEARING CUP / TRUNION	4
26	7-229-18	SEAL / TRUNION	4
27	7-229-311	HOUSING ASSEMBLY / AXLE	1
28	7-229-75	NUT / LOCK	24
29	7-229-76	WASHER / FLAT	24
30	7-229-281	SPINDLE	2
31	7-229-304	TIE ROD END / 1 1/8-12 THD.	1
32	7-229-173	WASHER / FLAT	16
33	7-229-328	LH SHAFT / INNER	1

DRAWING
NUMBER P3-1295

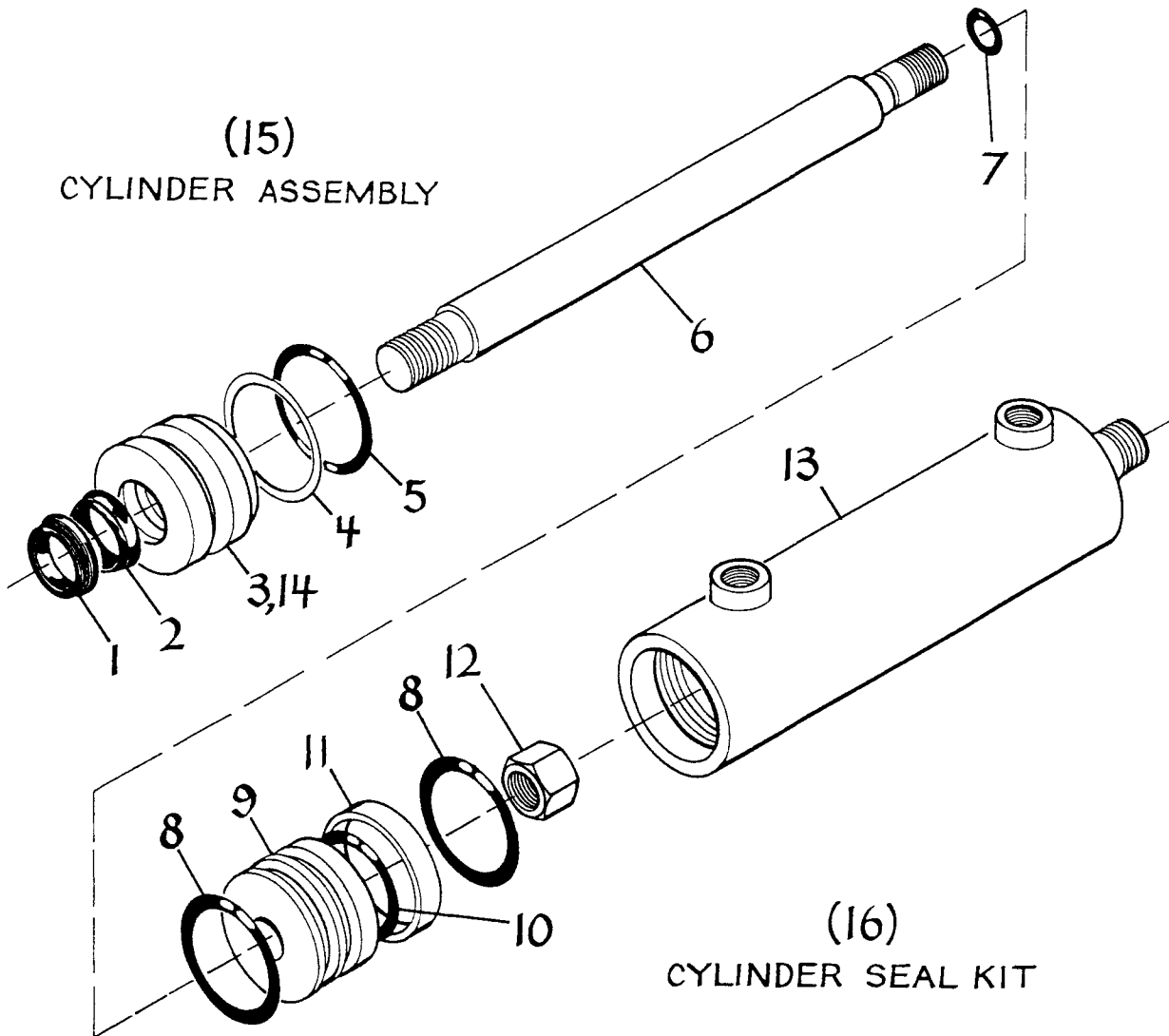
OUTER END / PS-1350 FRONT AXLE
SS-842 / SS-1048 SQUARE SHOOTER

PAGE
NUMBER 3A



ITEM	NUMBER	DESCRIPTION	REQD
1	7-229-79	FLANGE / DRIVE PLANETARY	2
2	7-229-55	PLUG / MAGNETIC DRAIN	2
3	7-229-279	VENT	2
4	7-229-268	SCREW / HEX SELF-LOCKING	36
5	7-229-82	WASHER / KEYED	12
6	7-229-83	BEARING / NEEDLE ROLLER	300
7	7-229-84	WASHER / PLANET GEAR	6
8	7-229-85	GEAR / SPUR PLANET	6
9	7-229-86	ROLL PIN	6
10	7-229-87	SHAFT / PLANET GEAR	6
11	7-229-88	WASHER / DRIVE FLANGE	2
12	7-229-89	PLATE / LINING STOP	2
13	7-229-90	SNAP RING	2
14	7-229-91	GEAR / SPUR	2
15	7-229-92	PISTON	2
16	7-229-93	O-RING	2
17	7-229-94	O-RING	2
18	7-229-266	SCREW / 12 POINT CAP	12
19	7-229-271	RETAINER / BEARING ADJ.RING	2
20	7-229-97	BRAKE TUBING	2
21	7-229-98	O-RING	4
22	SEE TABLE	SHIM / ADJUSTING	
23	7-229-100	O-RING	2
24	7-229-101	GEAR / PLANETARY RING	2
25	7-229-102	BEARING / CONE	2
26	7-229-103	BEARING / CUP	2
27	7-229-104	NUT / 3/4-16 RH THD.	20
28	7-229-278	HUB / PLANETARY	2
29	7-229-106	BOLT / WHEEL MOUNTING	20
30	7-229-107	BEARING / CUP	2
31	7-229-108	BEARING / CONE	2
32	7-229-221	SEAL / OIL	2
33	7-229-281	SPINDLE (2)	REF
34	7-229-110	SEAT / INSERT	4
35	7-229-24	SPINDLE BUSHING (2)	REF
36	7-229-25	SEAL / SPINDLE (2)	REF
37	7-229-267	FLATWASHER / HARDENED / 1/2	12
38	7-229-350	BRAKE PLATE & DISC KIT	REF
39	7-229-23	O-RING KIT (ITEMS 16,17,21,23)	REF
40	7-229-111	BLEEDER	2
41	7-229-112	FITTING	2
42			
43		SHIM TABLE (ITEM 22)	
44		-----	
45	7-229-126	SHIM / ADJUSTING / .010	
46	7-229-273	SHIM / ADJUSTING / .011	
47	7-229-274	SHIM / ADJUSTING / .012	
48	7-229-275	SHIM / ADJUSTING / .013	
49	7-229-276	SHIM / ADJUSTING / .014	
50	7-229-272	SHIM / ADJUSTING / .015	
51	7-229-127	SHIM / ADJUSTING / .020	
52	7-229-128	SHIM / ADJUSTING / .030	

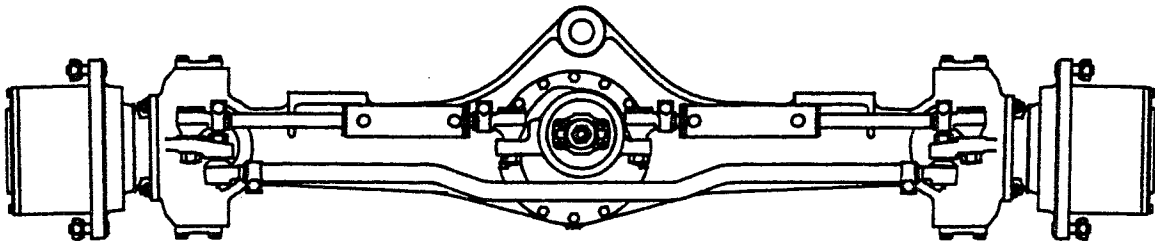
(15)
CYLINDER ASSEMBLY



(16)
CYLINDER SEAL KIT

ITEM	NUMBER	DESCRIPTION	REQD
1	-----	ROD WIPER	1
2	-----	ROD U-CUP	1
3	-----	HEAD	1
4	-----	BACK-UP RING	1
5	-----	O-RING	1
6	7-229-351	ROD	1
7	-----	O-RING	1
8	-----	WEAR RING	2
9	-----	PISTON	1
10	-----	EXPANDER	1
11	-----	PISTON SEAL	1
12	-----	LOCKNUT	1
13	-----	BARREL ASSEMBLY	1
14	-----	RETAINING WIRE	1
15	7-229-337	CYLINDER ASSY (ITEMS 1 THRU 14)	REF
16	7-229-349	SEAL KIT (1,2,4,5,7,8,10,11,14)	REF

REAR AXLE
PARTS BOOK
SS-842



DATE: 7-4-96

SPICER PS-7036 AXLE

USED WITH PS-1350 AXLE

7-229-340 STEERING CYLINDER

&

7-229-341 STEERING CYLINDER

BARAGA PRODUCTS, INC.

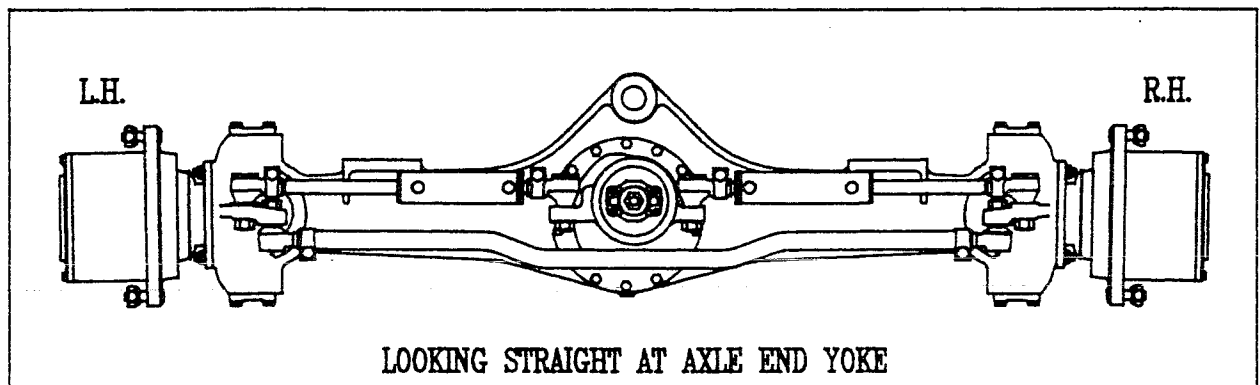
455 N. Superior Ave.

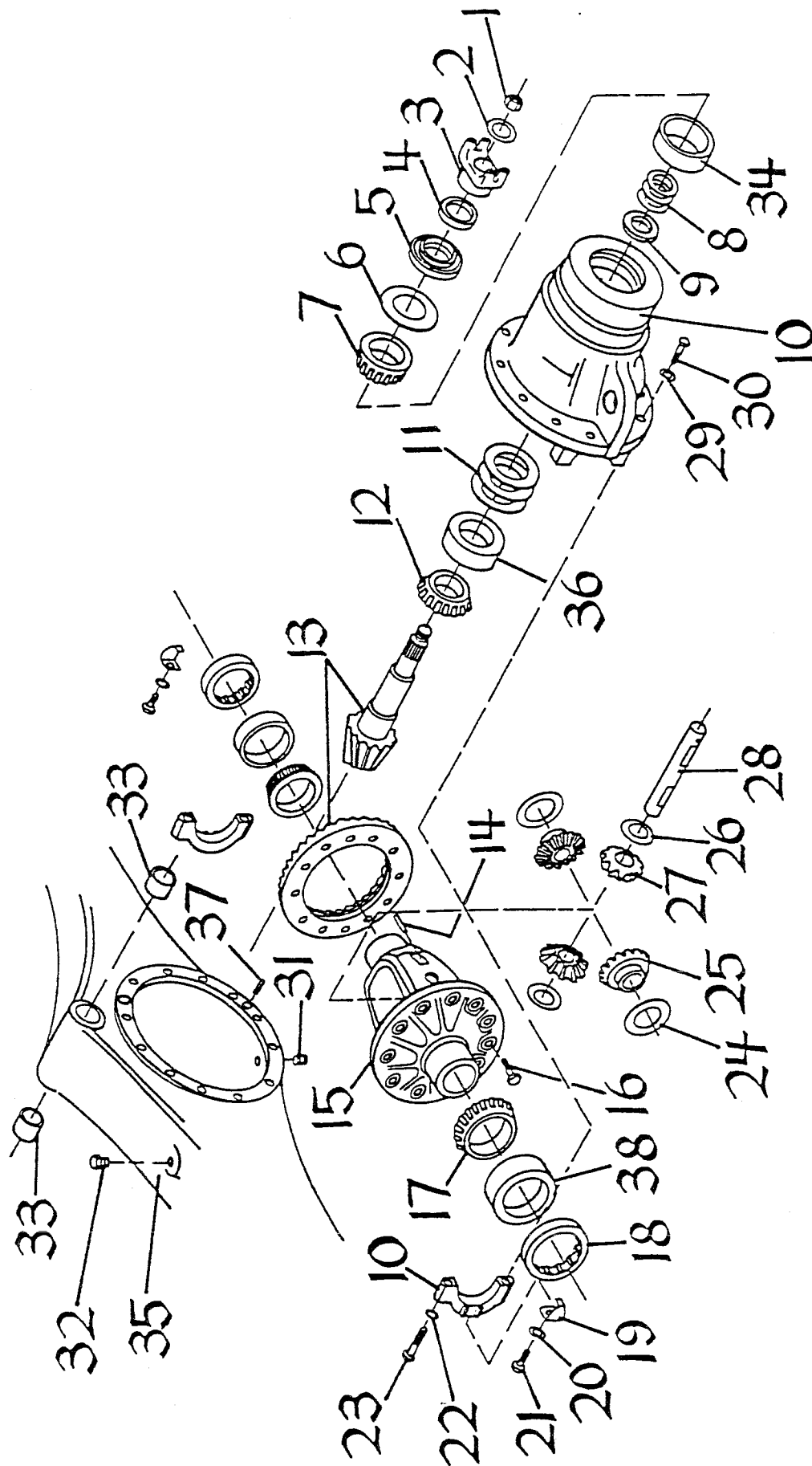
Baraga, MI 49908-0248

Ph. (906) 353-6675 Fax (906) 353-7543

AXLE PARTS ORDERING GUIDE

WHEN ORDERING FROM THIS BOOK USE THE FIGURE BELOW AS A REFERENCE IN DETERMINING LEFT OR RIGHT HAND SIDE. WHEN ORDERING PARTS FOR STEERING CYLINDERS THE OPERATOR'S COMPARTMENT MUST BE USED AS THE REFERENCE IN DETERMINING FRONT OR REAR AND LEFT OR RIGHT HAND SIDE.





1 PAGE NUMBER

CARRIER ASSEMBLY / PS-7036 AXLE
SS-624/SS-636/SS-836/SS-842 REAR

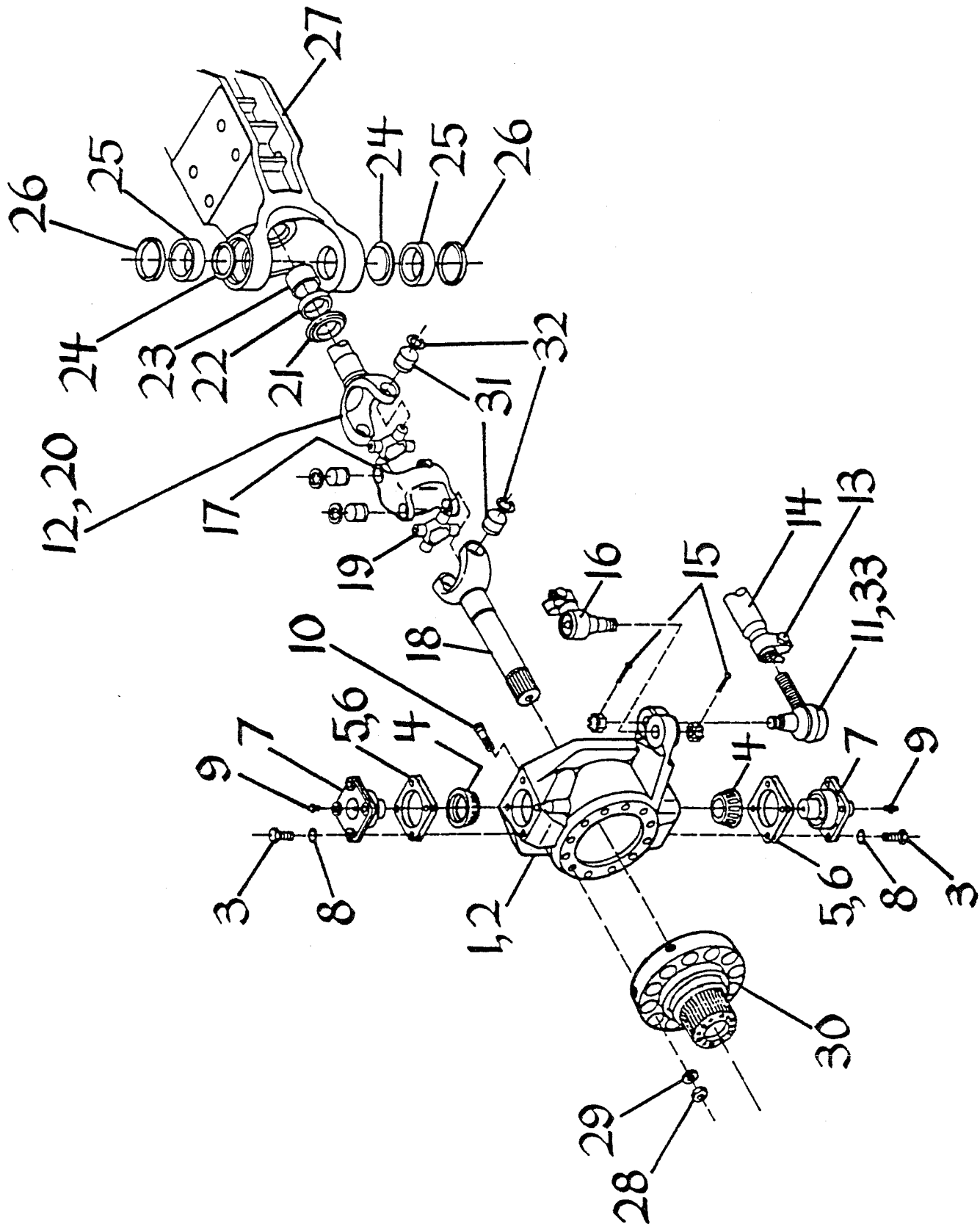
DRAWING NUMBER P3-1138

ITEM	NUMBER	DESCRIPTION	REQD
1	7-229-133	NUT / PINION	1
2	7-229-134	WASHER / PINION NUT	1
3	7-229-135	END YOKE	1
4	7-229-136	DEFLECTOR	1
5	7-229-285	SEAL / OIL	1
6	7-229-176	THRUSTWASHER / BEARING	1
7	7-229-287	BEARING CONE	1
8	SEE TABLE	SHIM / ADJUSTING	
9	7-229-154	SPACER	1
10	7-229-155	CARRIER SUB-ASSEMBLY	1
11	SEE TABLE	SHIM / ADJUSTING	
12	7-229-289	BEARING CONE	1
13	7-229-157	RING GEAR & PINION ASSEMBLY	1
14	7-229-158	ROLL PIN	1
15	7-229-159	CASE / DIFFERENTIAL	1
16	7-229-160	SCREW / HEX	12
17	7-229-293	BEARING CONE	2
18	7-229-162	RING / ADJUSTING	2
19	7-229-163	CLIP / ADJUSTING RING	2
20	7-229-164	WASHER / FLAT	2
21	7-229-165	BOLT / HEX	2
22	7-229-166	WASHER / FLAT	4
23	7-229-167	BOLT / HEX	4
24	7-229-168	THRUSTWASHER / DIFF. GEAR	2
25	7-229-169	GEAR / DIFFERENTIAL	2
26	7-229-170	THRUSTWASHER / DIFF. PINION	2
27	7-229-171	PINION / DIFFERENTIAL	2
28	7-229-172	SHAFT / DIFFERENTIAL	1
29	7-229-173	WASHER / FLAT	14
30	7-229-228	BOLT / HEX	14
31	7-229-175	PLUG / PIPE	2
32	7-229-61	VENT	1
33	7-229-177	BUSHING	2
34	7-229-288	BEARING CUP	1
35	7-229-179	HOUSING / AXLE	1
36	7-229-290	BEARING CUP	1
37	7-229-292	PIN / DOWEL	2
38	7-229-294	BEARING CUP	2
39			
40		SHIM TABLE (ITEM 8)	
41		-----	
42	7-229-143	SHIM / ADJUSTING .014	
43	7-229-151	SHIM / ADJUSTING .015	
44	7-229-146	SHIM / ADJUSTING .016	
45	7-229-148	SHIM / ADJUSTING .018	
46	7-229-149	SHIM / ADJUSTING .020	
47	7-229-150	SHIM / ADJUSTING .022	
48			
49		SHIM TABLE (ITEM 11)	
50		-----	
51	7-229-139	SHIM / ADJUSTING / .003	
52	7-229-140	SHIM / ADJUSTING / .005	
53	7-229-141	SHIM / ADJUSTING / .010	
54	7-229-286	SHIM / ADJUSTING / .030	

DRAWING NUMBER P3-1138

CARRIER ASSEMBLY / PS-7036 AXLE
SS-624/SS-636/SS-836/SS-842 REAR

PAGE NUMBER 1A



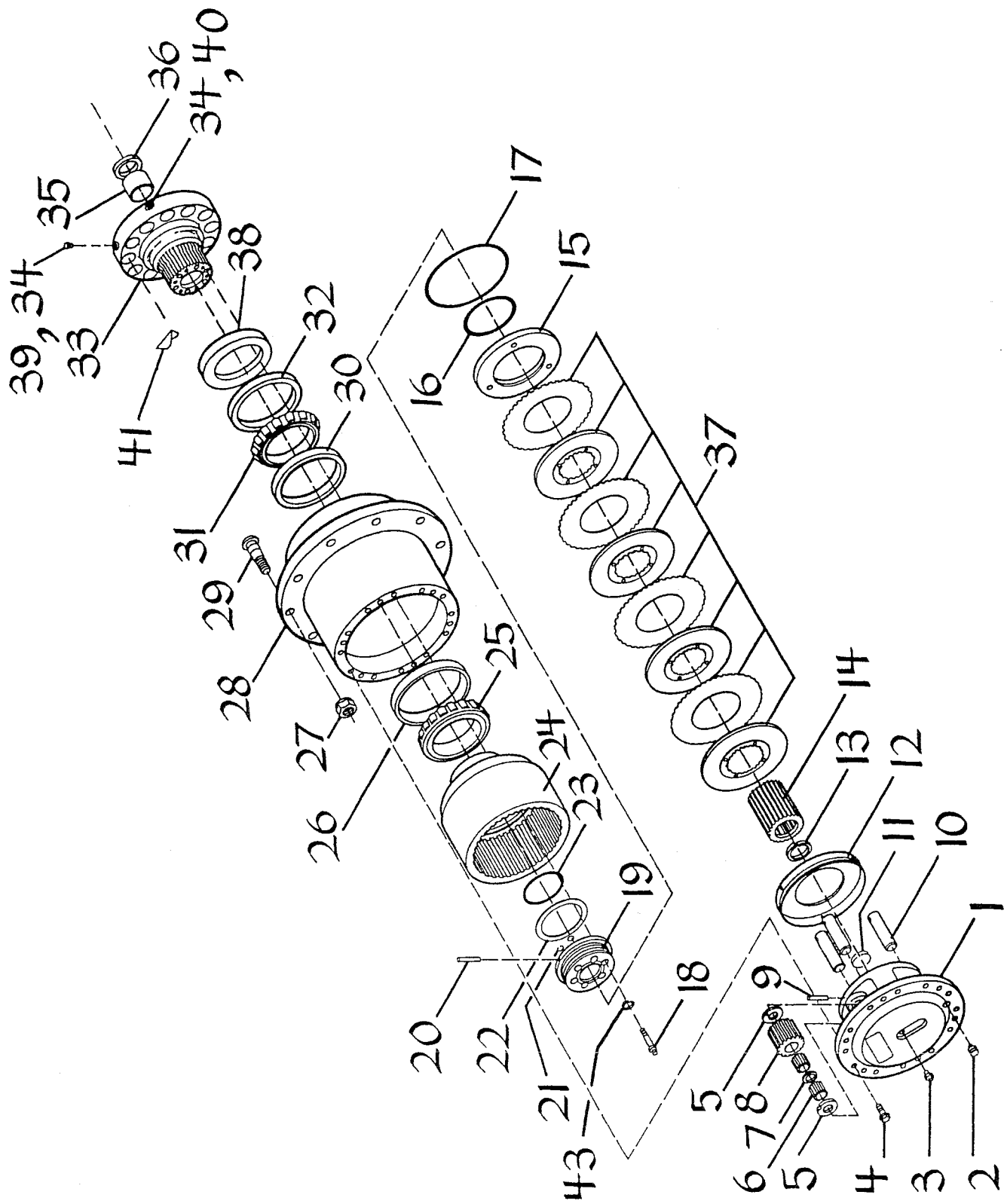
<p>2 PAGE NUMBER</p>	<p>OUTER END / PS-7036 AXLE SS-842 REAR AXLE</p>	<p>DRAWING NUMBER P3-1297</p>
------------------------------	--	-----------------------------------

ITEM	NUMBER	DESCRIPTION	REQD
1	7-229-296	KNUCKLE / STEERING / RH	1
2	7-229-295	KNUCKLE / STEERING / LH	1
3	7-229-228	CAPSCREW 1/2	16
4	7-229-19	BEARING CONE / TRUNION	4
5	7-229-65	SHIM / KING PIN /.005	
6	7-229-66	SHIM / KING PIN /.010	
7	7-229-67	CAP / KING PIN	4
8	7-229-173	WASHER / FLAT	16
9	7-229-69	FITTING / GREASE	4
10	7-229-218	STUD / SPINDLE MOUNTING	24
11	7-229-200	TIE ROD END / 1 1/8 x 16 THD.	1
12	7-229-185	YOKE SHAFT / INNER / 29 1/2 LG.	2
13	7-229-71	CLAMP / TIE ROD	2
14	7-229-199	TIE ROD	1
15	7-229-38	COTTER PIN	6
16	7-229-10	END / STEERING CYLINDER	4
17	7-229-188	YOKE / CENTER	2
18	7-229-189	YOKE SHAFT / OUTER	2
19	7-229-202	CROSS ASSEMBLY / U-JOINT	4
20	7-229-190	YOKE SHAFT / INNER / 28 3/8 LG.	2
21	7-229-303	SEAL / INNER SHAFT	2
22	7-229-192	SEAL / INNER SHAFT	2
23	7-229-193	BUSHING / INNER SHAFT	2
24	7-229-16	GREASE RETAINER / TRUNION	4
25	7-229-17	BEARING CUP / TRUNION	4
26	7-229-18	SEAL / TRUNION	4
27	7-229-179	HOUSING / AXLE	REF
28	7-229-75	LOCK NUT	24
29	7-229-76	WASHER / FLAT	24
30	7-229-309	SPINDLE	REF
31	7-229-203	BEARING RACE / U-JOINT	16
32	7-229-204	SNAP RING	16
33	7-229-201	TIE ROD END / 1 1/8 x 12 THD.	1

DRAWING
NUMBER P3-1297

OUTER END / PS-7036 AXLE
SS-842 REAR AXLE

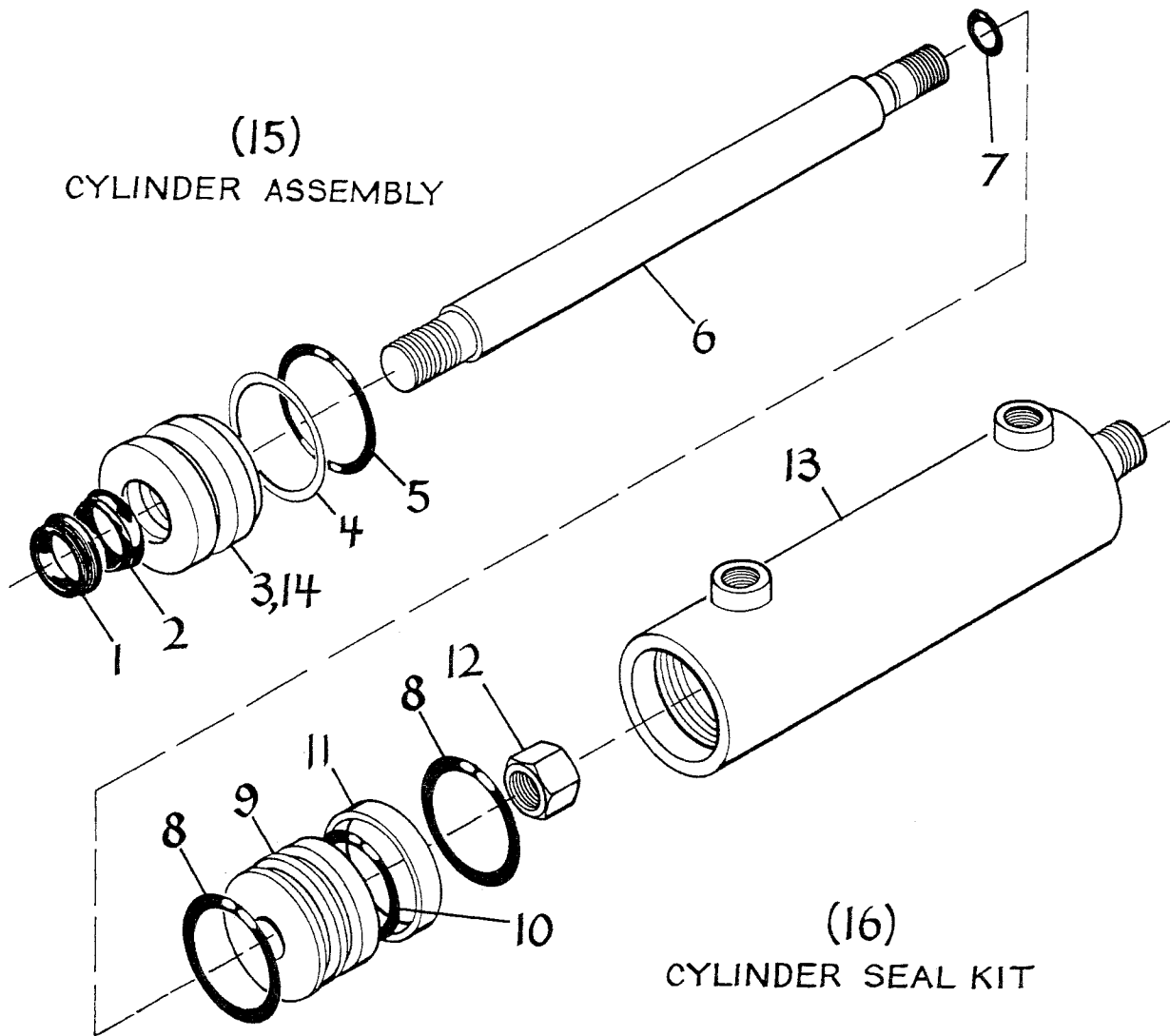
PAGE
NUMBER 2A



<p>3 PAGE NUMBER</p>	<p>WET DISC BRAKE / PS-7036 AXLE 624-636-836 FRT. & REAR / SS-842 REAR</p>	<p>DRAWING NUMBER P3-1342</p>
----------------------	--	-------------------------------

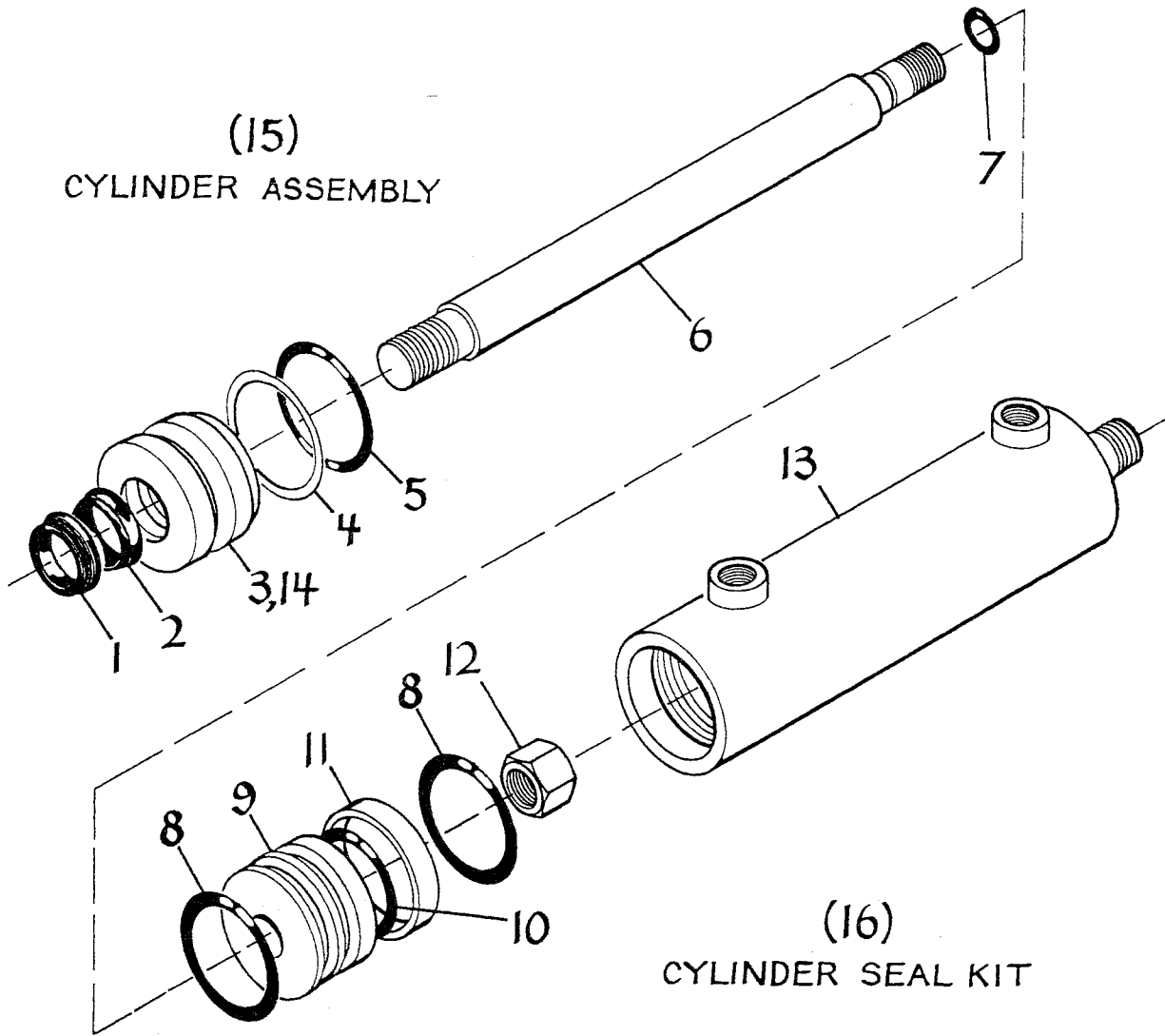
ITEM	NUMBER	DESCRIPTION	REQD
1	7-229-79	FLANGE / DRIVE PLANETARY	2
2	7-229-55	PLUG / MAGNETIC DRAIN	2
3	7-229-181	VENT	2
4	7-229-297	SCREW / HEX SELF-LOCK	36
5	7-229-82	WASHER / KEYED	12
6	7-229-83	BEARING / NEEDLE ROLLER	300
7	7-229-84	WASHER / PLANET GEAR	6
8	7-229-85	GEAR / SPUR PLANET	6
9	7-229-86	ROLL PIN	6
10	7-229-87	SHAFT / PLANET GEAR	6
11	7-229-88	WASHER / DRIVE FLANGE	2
12	7-229-89	PLATE / LINING STOP	2
13	7-229-182	SNAP RING	2
14	7-229-183	GEAR / SPUR	2
15	7-229-92	PISTON	2
16	7-229-93	O-RING	2
17	7-229-94	O-RING	2
18	7-229-266	SCREW / 12 POINT CAP	12
19	7-229-271	RETAINER / BEARING ADJ. RING	2
20	7-229-97	BRAKE TUBING	2
21	7-229-98	O-RING	4
22	SEE TABLE	SHIM / ADJUSTING	
23	7-229-100	O-RING	2
24	7-229-101	GEAR / PLANETARY RING	2
25	7-229-102	BEARING / CONE	2
26	7-229-103	BEARING / CUP	2
27	7-229-104	NUT 3/4-16 RH	20
28	7-229-298	HUB / PLANETARY	2
29	7-229-106	BOLT / WHEEL MOUNTING	20
30	7-229-107	BEARING / CUP	2
31	7-229-108	BEARING / CONE	2
32	7-229-221	SEAL / OIL	2
33	7-229-309	SPINDLE	2
34	7-229-110	SEAT / INSERT	4
35	7-229-186	SPINDLE BUSHING	2
36	7-229-187	SEAL / SPINDLE	2
37	7-229-350	BRAKE PLATES & DISCS KIT	2
38	7-229-132	DEFLECTOR / OIL SEAL	2
39	7-229-220	BLEEDER	2
40	7-229-217	FITTING / BRAKE INLET	2
41	7-229-301	GUARD / BLEEDER	2
42	7-229-23	O-RING KIT (ITEMS 16,17,22,23)	REF
43	7-229-267	FLATWASHER / HARDENED / 1/2	12
44			
45		ITEM (22) SHIM TABLE	
46		-----	
47	7-229-126	SHIM / ADJUSTING .010	
48	7-229-206	SHIM / ADJUSTING .011	
49	7-229-207	SHIM / ADJUSTING .012	
50	7-229-208	SHIM / ADJUSTING .013	
51	7-229-209	SHIM / ADJUSTING .014	
52	7-229-210	SHIM / ADJUSTING .015	
53	7-229-127	SHIM / ADJUSTING .020	
54	7-229-128	SHIM / ADJUSTING .030	

(15)
CYLINDER ASSEMBLY



(16)
CYLINDER SEAL KIT

ITEM	NUMBER	DESCRIPTION	REQD
1	-----	ROD WIPER	1
2	-----	ROD U-CUP	1
3	-----	HEAD	1
4	-----	BACK-UP RING	1
5	-----	O-RING	1
6	7-229-354	ROD	1
7	-----	O-RING	1
8	-----	WEAR RING	2
9	-----	PISTON	1
10	-----	EXPANDER	1
11	-----	PISTON SEAL	1
12	-----	LOCKNUT	1
13	-----	BARREL ASSEMBLY	1
14	-----	RETAINING WIRE	1
15	7-229-340	CYLINDER ASSY (ITEMS 1 Thru 14)	REF
16	7-229-349	SEAL KIT (1,2,4,5,7,8,10,11,14)	REF



(15)
CYLINDER ASSEMBLY

(16)
CYLINDER SEAL KIT

ITEM	NUMBER	DESCRIPTION	REQD
1	-----	ROD WIPER	1
2	-----	ROD U-CUP	1
3	-----	HEAD	1
4	-----	BACK-UP RING	1
5	-----	O-RING	1
6	7-229-355	ROD	1
7	-----	O-RING	1
8	-----	WEAR RING	2
9	-----	PISTON	1
10	-----	EXPANDER	1
11	-----	PISTON SEAL	1
12	-----	LOCKNUT	1
13	-----	BARREL ASSEMBLY	1
14	-----	RETAINING WIRE	1
15	7-229-341	CYLINDER ASSY (ITEMS 1 Thru 14)	REF
16	7-229-349	SEAL KIT (1,2,4,5,7,8,10,11,14)	REF