

# 3-WHEEL ELECTRIC

 **TOYOTA**  
INDUSTRIAL EQUIPMENT  
REACH NEW HEIGHTS

3000 - 4000 LBS.

SPECIFICATIONS



8FBE15U-20U | 8FBES15U | 8FBEH18U

CLASS  
**1**

ELECTRIC MOTOR RIDERS

[ToyotaForklift.com](https://www.toyotaforklift.com)

Courtesy of CraneMarket

## 3-WHEEL ELECTRIC

CAPACITY  
**3000 - 4000 LBS.**

WHEELBASE  
**47.6 - 55.1 IN.**

LIFT HEIGHT  
**277.5 IN.**

### INDUSTRIES



## STANDARD FEATURES

### SAFETY

- Active Mast Control (AMC)
  - Forward tilt angle control
  - Rear tilt speed control
  - Lift speed limitation with forward tilt
- Wet disc brakes
- Operator Presence Sensing System (OPSS)
- Momentary hold/controlled descent
- Key lowering interlock
- Foot-operated parking brake
- Electric horn
- Manual return to neutral
- Turn speed control

### PERFORMANCE

- 36-Volt electrical system
- AC drive system
- AC lift system
- Programmable hydraulics
- UL-approved model type E
- Transverse-mounted AC drive motors
- Power select functions (E.S.P.H.)
- Digital multifunction display
  - Time & date
  - Speedometer
  - Multifunction hour meter
  - Battery capacity indicator
  - Parking brake indicator
  - Over-discharge warning (lift interrupt)
  - Mast tilt indicator
- Maximum speed limiter
- Power keep function
- 3-way hydraulic control valve
- Programmable auto-off system
- Three forms of energy regeneration
  - Coast control
  - Plug braking
  - Foot braking

### BODY/EXTERIOR DESIGN

- Wide-view 2-stage mast (V)
- Punched plate entry/exit step
- Bolt-on overhead guard
- Smooth cushion tires (dual steer tires)
- 36"-wide ITA class II fork carriage
- 48" load backrest extension
- 90°-wide-opening battery hood
- 42" tapered forks
- 81" OHG height
- SB 350 battery connector (gray)
- Drawbar pin

### OPERABILITY & ERGONOMICS

- Strategically configured instrument display
- On-demand, hydrostatic power steering
- Cowl-mounted hydraulic controls
- Automatic fork-leveling control
- Large dual operator assist grips
- Operator restraint system (ORS) with full-suspension seat
- Retractable seat belt
- Electric directional shift control
- Memory-tilt steering column
- Hood-integrated paper clip
- Heavy-duty slip-resistant floor mat
- Two-spoke steering wheel
- Integrated switch for headlight & turn signal
- Dash-mounted cup holder
- Curvilinear OHG front pillars

### SERVICEABILITY

- Maintenance-free AC motors
- Thermal protection monitor
- Easy-access controllers
- Programmable maintenance timer
- Battery compartment hood assist damper
- Easy access no-tools floorboard
- Built-in analyzer
- Self-diagnostics

## OPTIONAL EQUIPMENT

- UL-approved model type "EE"
- UL-approved model type "ES"
- 48-Volt electrical system
- Air-filled pneumatic tires (3-3.5K)
- Solid pneumatic tires
- Non-marking tires
- Mini-lever controls
- Cold storage model
- Battery roll-out or slide-out
- 4-way hydraulic control valve
- Battery compartment side panels
- EZ Pedal (foot directional control)
- Cloth 4-way adjustable full-suspension seat
- String cutter
- Rear assist grip with horn button
- PIN code entry system (with 10-digit keypad)
- Shock sensor
- Special paint (1-2 colors)
- Cloth 12° swivel seat
- Battery connector color (blue, red or yellow)
- Sideshifter
- Drive-in rack OHG
- Rearview mirrors (left & right)
- 12-Volt power supply
- Inset headlights within OHG
- Front headlights
- Operator compartment light
- Strobe lights (yellow or red)
- LED front headlights
- Front/rear combination lights
- LED rear combination lights
- Rear working light
- Key off headlight system
- Adjustable volume back up alarm (smart alarm)
- Anti-static strap
- Wide-view full free-lift 2-stage mast (FV)
- Wide-view full free-lift 3-stage mast (FSV)
- Wide-view full free-lift 4-stage mast (QFV)
- Polycarbonate OHG cover
- Inching while braking
- Keyless ignition
- Fully tapered & polished forks (FTP)
- 40"-wide carriage
- Various load backrest extension heights
- Mast tilt (bottler's tilt 10° forward/5° backward)
- Tilt cylinder boots
- Front protector cover
- Side hosing termination
- Pencil/tape holder
- Fire extinguisher
- Quick disconnects (single & dual)
- Steering wheel with knob
- Synchronized steering (steering wheel knob is recommended)
- Clamp release interlock systems
- Auto speed control
- Emergency power shutdown button
- Orange seatbelt
- T-Matics COMMAND or MOBILE
- Integral side-shifting fork positioner

**Note:** Please check with your local Toyota sales professional for additional options.

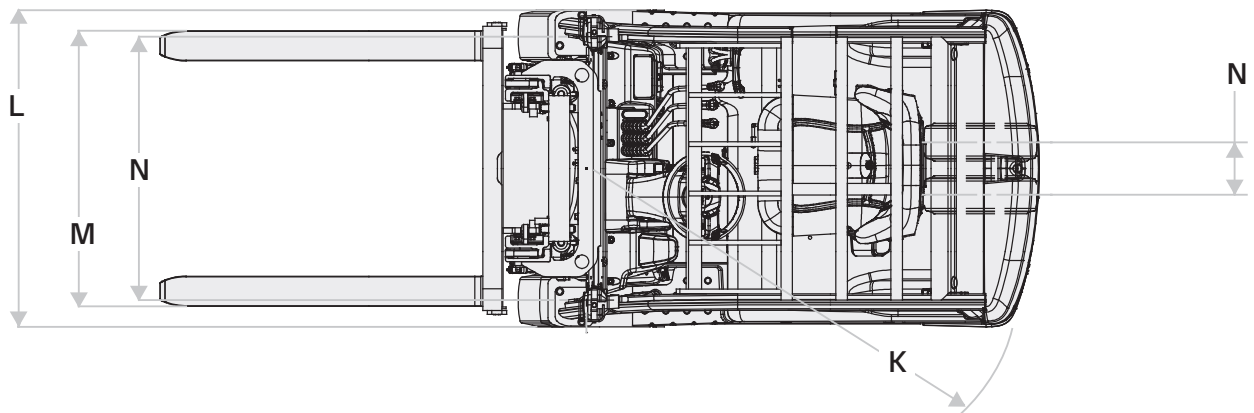
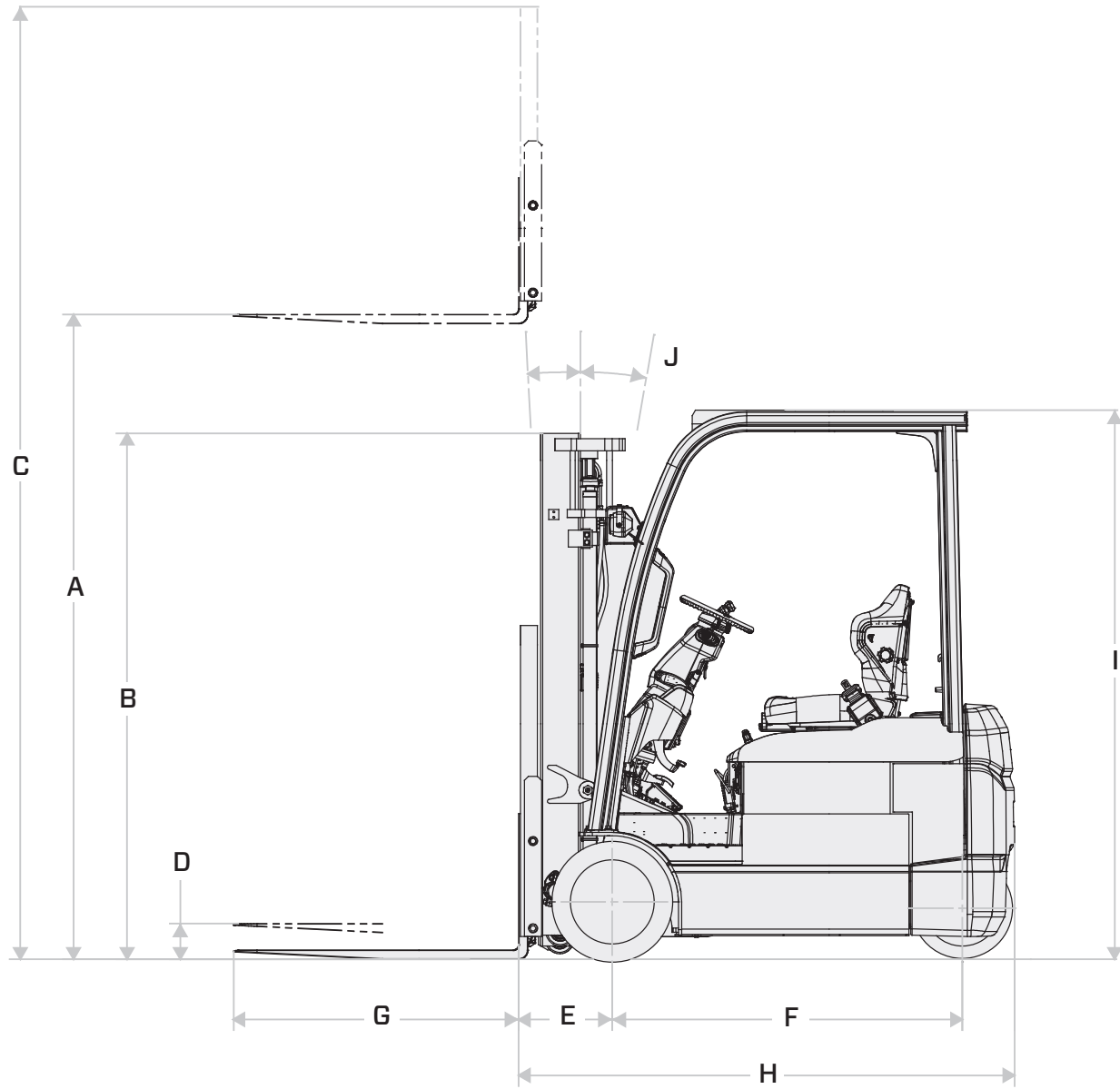
# TRUCK SPECIFICATIONS

## MODEL NUMBERS

| GENERAL DATA   |                                     |                |     | 8FBE15U                                   | 8FBES15U                        | 8FBE18U                         | 8FBEH18U                        | 8FBE20U                         |
|--|-------------------------------------|----------------|-----|---|---------------------------------|---------------------------------|---------------------------------|---------------------------------|
| Load Capacity (with 24" load center)                 | lb                                  |                |     | 3000                                      | 3000                            | 3500                            | 3500                            | 4000                            |
| Service Brake / Parking Brake                        |                                     |                |     | Wet Disc (Foot) / Mechanical (Foot)       |                                 |                                 |                                 |                                 |
| EXTERIOR DIMENSIONS                                  |                                     |                |     | 8FBE15U                                   | 8FBES15U                        | 8FBE18U                         | 8FBEH18U                        | 8FBE20U                         |
| <b>A</b> Maximum Fork Height (MFH)                   | in                                  |                |     | 119                                       | 119                             | 119                             | 119                             | 119.5                           |
| <b>B</b> Mast Lowered Height                         | in                                  |                |     | 77.6                                      | 77.6                            | 77.6                            | 77.6                            | 77.6                            |
| <b>C</b> Mast Extended Height (top of load backrest) | in                                  |                |     | 167.5                                     | 167.5                           | 167.5                           | 167.5                           | 167.7                           |
| <b>D</b> Free-Lift (top of forks)                    | in                                  |                |     | 5.7                                       | 5.7                             | 5.7                             | 5.7                             | 5.9                             |
| <b>E</b> Load Distance <sup>1</sup>                  | in                                  |                |     | 13.8                                      | 13.8                            | 13.8                            | 13.8                            | 14.4                            |
| <b>F</b> Wheelbase                                   | in                                  |                |     | 51.6                                      | 47.6                            | 51.6                            | 55.1                            | 55.1                            |
| <b>G</b> Fork Size (T x W x L)                       | in                                  |                |     | 1.4 x 4 x 42                              | 1.4 x 4 x 42                    | 1.4 x 4 x 42                    | 1.4 x 4 x 42                    | 1.6 x 5 x 42                    |
| <b>H</b> Length to Fork Face                         | in                                  |                |     | 72  | 69                              | 74.2                            | 76.4                            | 77.2                            |
| <b>I</b> Overhead Guard Height                       | in                                  |                |     | 81  | 81                              | 81                              | 81                              | 81                              |
| <b>J</b> Tilt Range (forward / backward)             | deg                                 |                |     | 5 / 6.5                                   | 5 / 6.5                         | 5 / 6.5                         | 5 / 6.5                         | 5 / 6.5                         |
| <b>K</b> Outside Turning Radius                      | in                                  |                |     | 58.3                                      | 55.1                            | 60.5                            | 62.8                            | 62.8                            |
| <b>L</b> Overall Width                               | in                                  |                |     | 41.5 [42.1]                               | 41.5 [42.1]                     | 41.5 [42.1]                     | 41.5 [42.1]                     | 41.5                            |
| <b>M</b> Carriage Width                              | in                                  |                |     | 36  | 36                              | 36                              | 36                              | 36                              |
| <b>N</b> Tread Width                                 | Front                               | in             |     | 34.5 [36]                                 | 34.5 [36]                       | 34.5 [36]                       | 34.5 [36]                       | 34.5 [36]                       |
|  | Rear                                | in             |     | 6.9                                       | 6.9                             | 6.9                             | 6.9                             | 6.9                             |
| POWER SYSTEM   |                                     |                |     | 8FBE15U                                   | 8FBES15U                        | 8FBE18U                         | 8FBEH18U                        | 8FBE20U                         |
| Battery Compartment                                  | Width                               | in             |     | 39.2                                      | 39.2                            | 39.2                            | 39.2                            | 39.2                            |
|  | Length                              | in             |     | 21.7                                      | 17.7                            | 21.7                            | 25.1                            | 25.1                            |
|  | Height                              | in             |     | 24.5                                      | 24.5                            | 24.5                            | 24.5                            | 24.5                            |
| Power Type   |                                     |                |     | Battery                                   |                                 |                                 |                                 |                                 |
| Battery  | Voltage / Capacity (6-hour ratings) | STD 36V / 48V  | Ah  | 595 / 375                                 | 510 / 360                       | 595 / 375                       | 765 / 660                       | 765 / 660                       |
|  |                                     | High 36V / 48V | Ah  | 880 / 660                                 | 660 / 440                       | 880 / 660                       | 1100 / 770                      | 1100 / 770                      |
|  | Min. Weight                         | lb             |     | 1543                                      | 1475                            | 1543                            | 2105                            | 2105                            |
| Electric Motors                                      | Drive                               | 36V / 48V      | kW  | 4.8 x 2 / 5.0 x 2                         | 4.8 x 2 / 5.0 x 2               | 4.8 x 2 / 5.0 x 2               | 4.8 x 2 / 5.0 x 2               | 4.8 x 2 / 5.0 x 2               |
|  | Load Handling                       | 36V / 48V      | kW  | 12 / 12                                   | 12 / 12                         | 12 / 12                         | 12 / 12                         | 12 / 12                         |
| Control Type   | Drive                               |                |     | MOSFET Transistor                         |                                 |                                 |                                 |                                 |
|  | Load Handling                       |                |     | MOSFET Transistor                         |                                 |                                 |                                 |                                 |
| PERFORMANCE DATA                                     |                                     |                |     | 8FBE15U                                   | 8FBES15U                        | 8FBE18U                         | 8FBEH18U                        | 8FBE20U                         |
| Maximum Travel Speed (H-mode)                        | Fwd / Rvs - Full Load               | 36V            | mph | 9.9 [9.5]                                 | 9.9 [9.5]                       | 9.9 [9.5]                       | 9.9 [9.5]                       | 9.7 [9.8]                       |
|  | Fwd / Rvs - Full Load               | 48V            | mph | 9.9 [9.5]                                 | 9.9 [9.5]                       | 9.9 [9.5]                       | 9.9 [9.5]                       | 9.7 [9.8]                       |
|  | Fwd / Rvs - No Load                 | 36V            | mph | 9.9 [9.5]                                 | 9.9 [9.5]                       | 9.9 [9.5]                       | 9.9 [9.5]                       | 9.9 [9.9]                       |
|  | Fwd / Rvs - No Load                 | 48V            | mph | 10.2 [9.8]                                | 10.2 [9.8]                      | 10.2 [9.8]                      | 10.2 [9.8]                      | 9.9 [9.9]                       |
| Lift Speed (V mast only)                             | Full Load                           | 36V / 48V      | fpm | 77 / 94                                   | 77 / 94                         | 71 / 89                         | 71 / 89                         | 67 / 83                         |
|  | No Load                             | 36V / 48V      | fpm | 134 / 134                                 | 134 / 134                       | 134 / 134                       | 134 / 134                       | 134 / 134                       |
| Lowering Speed (V mast only)                         | Full Load                           |                | fpm | 104                                       | 104                             | 104                             | 104                             | 104                             |
|  | No Load                             |                | fpm | 108                                       | 108                             | 108                             | 108                             | 108                             |
| Maximum Drawbar Pull                                 | Full Load <sup>3</sup>              |                | lb  | 2560                                      | 2560                            | 2540                            | 2540                            | 2500                            |
|  | No Load <sup>3</sup>                |                | lb  | 2540                                      | 2540                            | 2540                            | 2540                            | 2520                            |
| Maximum Gradeability                                 | Full Load <sup>3</sup>              |                | %   | 27  | 25                              | 24                              | 24                              | 22                              |
|  | No Load <sup>3</sup>                |                | %   | 24  | 22                              | 22                              | 24                              | 22                              |
| UNDERCLEARANCE                                       |                                     |                |     | 8FBE15U                                   | 8FBES15U                        | 8FBE18U                         | 8FBEH18U                        | 8FBE20U                         |
| Center of Wheelbase                                  | in                                  |                |     | 3.3                                       | 3.3                             | 3.3                             | 3.3                             | 3.3                             |
| TRUCK WEIGHTS  |                                     |                |     | 8FBE15U                                   | 8FBES15U                        | 8FBE18U                         | 8FBEH18U                        | 8FBE20U                         |
| Gross Weight Without Battery                         | lb                                  |                |     | 4620 [4495]                               | 5090 [4970]                     | 4990 [4870]                     | 4700 [4575]                     | 5270 [5190]                     |
| Weight Distribution (with standard battery)          | Full Load                           | Front          | lb  | 8450 [8320]                               | 8610 [8485]                     | 9310 [9180]                     | 9500 [9380]                     | 9830 [9765]                     |
|  |                                     | Rear           | lb  | 1030 [960]                                | 1270 [1200]                     | 1090 [1025]                     | 1160 [1090]                     | 1530 [1520]                     |
|  | No Load                             | Front          | lb  | 2990 [2865]                               | 2990 [2865]                     | 2940 [2820]                     | 3300 [3175]                     | 3370 [3305]                     |
|  |                                     | Rear           | lb  | 3180 [3110]                               | 3580 [3515]                     | 3590 [3440]                     | 3510 [3440]                     | 4000 [3990]                     |
| ATTACHMENT   |                                     |                |     | 8FBE15U                                   | 8FBES15U                        | 8FBE18U                         | 8FBEH18U                        | 8FBE20U                         |
| Attachment Max Operating Hydraulic Pressure          | psi                                 |                |     | 2000                                      | 2000                            | 2000                            | 2000                            | 2000                            |
| TIRES  |                                     |                |     | 8FBE15U                                   | 8FBES15U                        | 8FBE18U                         | 8FBEH18U                        | 8FBE20U                         |
| Type (front / rear)                                  |                                     |                |     | Cushion / Cushion [Pneumatic / Pneumatic] |                                 |                                 |                                 |                                 |
| Size (OD x W x ID)                                   | Drive                               |                |     | 18 x 7 x 12-1/8 [18 x 7-8-16PR]           | 18 x 7 x 12-1/8 [18 x 7-8-16PR] | 18 x 7 x 12-1/8 [18 x 7-8-16PR] | 18 x 7 x 12-1/8 [18 x 7-8-16PR] | 18 x 7 x 12-1/8 [18 x 7-8-16PR] |
|  | Steer                               |                |     | 15 x 5 x 11-1/4 [16 x 6-8-10PR]           | 15 x 5 x 11-1/4 [16 x 6-8-10PR] | 15 x 5 x 11-1/4 [16 x 6-8-10PR] | 15 x 5 x 11-1/4 [16 x 6-8-10PR] | 15 x 5 x 11-1/4 [16 x 6-8-10PR] |

1 Centerline of front axle to front face of forks.  
 2 Add load length & aisle clearance.  
 3 3-minute rating computed values.  
 [ ] Pneumatic tire model specifications.

EXTERIOR DIMENSIONS





# MAST SPECIFICATIONS

| MAST TYPE                    | MAXIMUM FORK HEIGHT (TOP OF FORKS) | OVERALL HEIGHT |                       |                             |                       | FREE-LIFT                   |     | TILT RANGE |             | LOAD CAPACITY AT 24 IN. (610 MM) LOAD CENTER <sup>1</sup> |                         |     |
|------------------------------|------------------------------------|----------------|-----------------------|-----------------------------|-----------------------|-----------------------------|-----|------------|-------------|---|-------------------------|-----|
|                              |                                    | LOWERED        | EXTENDED              |                             | WITHOUT LOAD BACKREST | WITH STANDARD LOAD BACKREST | FWD | BWD        | CUSHION     | SOLID PN  | AIR-FILLED PN           |     |
|                              |                                    |                | WITHOUT LOAD BACKREST | WITH STANDARD LOAD BACKREST |                       |                             |     |            |             |   |                         | deg |
|                              | in (mm)                            | in (mm)        | in (mm)               | in (mm)                     | in (mm)               | in (mm)                     |     |            | lb (kg)     | lb (kg)   | lb (kg)                 |     |
| <b>8FBE15U</b>               |                                    |                |                       |                             |                       |                             |     |            |             |   |                         |     |
| Wide Visible (V)             | 100 (2535)                         | 67.7 (1720)    | 122.2 (3105)          | 147.8 (3755)                | 5.7 (145)             | 5.7 (145)                   | 5   | 5          | 3000 (1360) | 3000 (1360)   | 3000 (1360)             |     |
|                              | 107.5 (2735)                       | 71.7 (1820)    | 130.1 (3305)          | 155.7 (3955)                | 5.7 (145)             | 5.7 (145)                   | 5   | 6.5        | 3000 (1360) | 3000 (1360)   | 3000 (1360)             |     |
|                              | 119 (3035)                         | 77.6 (1970)    | 141.9 (3605)          | 167.5 (4255)                | 5.7 (145)             | 5.7 (145)                   | 5   | 6.5        | 3000 (1360) | 3000 (1360)   | 3000 (1360)             |     |
|                              | 131 (3335)                         | 83.5 (2120)    | 153.7 (3905)          | 179.3 (4555)                | 5.7 (145)             | 5.7 (145)                   | 5   | 6.5        | 3000 (1360) | 3000 (1360)   | 3000 (1360)             |     |
|                              | 139 (3535)                         | 87.4 (2220)    | 161.6 (4105)          | 187.2 (4755)                | 5.7 (145)             | 5.7 (145)                   | 5   | 6.5        | 3000 (1360) | 3000 (1360)   | 3000 (1360)             |     |
|                              | 147 (3735)                         | 93.7 (2380)    | 169.5 (4305)          | 195.1 (4955)                | 5.7 (145)             | 5.7 (145)                   | 5   | 6.5        | 3000 (1360) | 3000 (1360)   | 3000 (1360)             |     |
| Full Free-Lift 2-Stage (FV)  | 158.5 (4035)                       | 101.2 (2570)   | 181.3 (4605)          | 206.9 (5255)                | 5.7 (145)             | 5.7 (145)                   | 5   | 6.5        | 3000 (1360) | 2900 (1315)   | 2870 (1301)             |     |
|                              | 107.5 (2735)                       | 71.7 (1820)    | 129.1 (3280)          | 155.7 (3955)                | 50.2 (1275)           | 23.6 (600)                  | 5   | 6.5        | 3000 (1360) | 3000 (1360)   | 3000 (1360)             |     |
|                              | 119 (3035)                         | 77.6 (1970)    | 140.9 (3580)          | 167.5 (4255)                | 56.1 (1425)           | 29.5 (750)                  | 5   | 6.5        | 3000 (1360) | 3000 (1360)   | 3000 (1360)             |     |
|                              | 131 (3335)                         | 83.5 (2120)    | 152.8 (3880)          | 179.3 (4555)                | 62 (1575)             | 35.4 (900)                  | 5   | 6.5        | 3000 (1360) | 3000 (1360)   | 3000 (1360)             |     |
|                              | 139 (3535)                         | 87.4 (2220)    | 160.6 (4080)          | 187.2 (4755)                | 65.9 (1675)           | 39.4 (1000)                 | 5   | 6.5        | 3000 (1360) | 3000 (1360)   | 3000 (1360)             |     |
|                              | 147 (3735)                         | 93.7 (2380)    | 168.5 (4280)          | 195.1 (4955)                | 72.2 (1835)           | 45.7 (1160)                 | 5   | 6.5        | 3000 (1360) | 3000 (1360)   | 3000 (1360)             |     |
| Full Free-Lift 3-Stage (FSV) | 158.5 (4035)                       | 101.2 (2570)   | 180.3 (4580)          | 206.9 (5255)                | 79.7 (2025)           | 53.1 (1350)                 | 5   | 6.5        | 3000 (1360) | 2900 (1315)   | 2870 (1301)             |     |
|                              | 147 (3735)                         | 69.7 (1770)    | 168.3 (4275)          | 195.1 (4955)                | 48.4 (1230)           | 21.7 (550)                  | 5   | 6.5        | 3000 (1360) | 3000 (1360)   | 3000 (1360)             |     |
|                              | 158.5 (4035)                       | 73.6 (1870)    | 180.1 (4575)          | 206.9 (5255)                | 52.4 (1330)           | 25.6 (650)                  | 5   | 6.5        | 3000 (1360) | 2800 (1270)   | 2800 (1270)             |     |
|                              | 170.5 (4335)                       | 77.6 (1970)    | 191.9 (4875)          | 218.7 (5555)                | 56.3 (1430)           | 29.5 (750)                  | 5   | 6.5        | 2900 (1315) | 2800 (1270)   | 2800 (1270)             |     |
|                              | 189 (4800)                         | 83.5 (2120)    | 209.6 (5325)          | 236.4 (6005)                | 62.2 (1580)           | 35.4 (900)                  | 5   | 6.5        | 2800 (1270) | 2700 (1224)   | 2700 (1224)             |     |
|                              | 198 (5035)                         | 87.4 (2220)    | 219.5 (5575)          | 246.3 (6255)                | 66.1 (1680)           | 39.4 (1000)                 | 5   | 6.5        | 2800 (1270) | 2450 (1111)   | 2400 (1088)             |     |
|                              | 217.5 (5535)                       | 93.7 (2380)    | 239.2 (6075)          | 265.9 (6755)                | 72.4 (1840)           | 45.7 (1160)                 | 5   | 6.5        | 2400 (1088) | 1840 (834)  | 1790 (811)              |     |
|                              | 237.5 (6035)                       | 101.2 (2570)   | 258.9 (6575)          | 285.6 (7255)                | 79.9 (2030)           | 53.1 (1350)                 | 5   | 6.5        | 2000 (907)  | 1440 (653) <sup>1</sup>                                   | 1390 (630) <sup>1</sup> |     |
| Full Free-Lift 4-Stage (QFV) | 241.3 (6130)                       | 83.5 (2120)    | 262.6 (6670)          | 289.4 (7350)                | 62.2 (1580)           | 35.4 (900)                  | 5   | 3          | 2200 (998)  | 1760 (798)  | 1710 (775)              |     |
|                              | 259.4 (6590)                       | 89.4 (2270)    | 281.3 (7145)          | 307.5 (7810)                | 68.1 (1730)           | 41.3 (1050)                 | 5   | 3          | 2100 (952)  | 1650 (748)  | 1600 (725)              |     |
|                              | 277.5 (7050)                       | 95.7 (2430)    | 299.4 (7605)          | 325.6 (8270)                | 74.4 (1890)           | 47.6 (1210)                 | 5   | 3          | 1600 (725)  | 1250 (567) <sup>1</sup>                                   | 1200 (544) <sup>1</sup> |     |

| MAST TYPE                    | MAXIMUM FORK HEIGHT (TOP OF FORKS) | OVERALL HEIGHT |                       |                             |                       | FREE-LIFT                   |     | TILT RANGE |             | LOAD CAPACITY AT 24 IN. (610 MM) LOAD CENTER <sup>1</sup> |                         |     |
|------------------------------|------------------------------------|----------------|-----------------------|-----------------------------|-----------------------|-----------------------------|-----|------------|-------------|---|-------------------------|-----|
|                              |                                    | LOWERED        | EXTENDED              |                             | WITHOUT LOAD BACKREST | WITH STANDARD LOAD BACKREST | FWD | BWD        | CUSHION     | SOLID PN  | AIR-FILLED PN           |     |
|                              |                                    |                | WITHOUT LOAD BACKREST | WITH STANDARD LOAD BACKREST |                       |                             |     |            |             |   |                         | deg |
|                              | in (mm)                            | in (mm)        | in (mm)               | in (mm)                     | in (mm)               | in (mm)                     |     |            | lb (kg)     | lb (kg)   | lb (kg)                 |     |
| <b>8FBES15U</b>              |                                    |                |                       |                             |                       |                             |     |            |             |   |                         |     |
| Wide Visible (V)             | 100 (2535)                         | 67.7 (1720)    | 122.2 (3105)          | 147.8 (3755)                | 5.7 (145)             | 5.7 (145)                   | 5   | 5          | 3000 (1360) | 3000 (1360)   | 3000 (1360)             |     |
|                              | 107.5 (2735)                       | 71.7 (1820)    | 130.1 (3305)          | 155.7 (3955)                | 5.7 (145)             | 5.7 (145)                   | 5   | 6.5        | 3000 (1360) | 3000 (1360)   | 3000 (1360)             |     |
|                              | 119 (3035)                         | 77.6 (1970)    | 141.9 (3605)          | 167.5 (4255)                | 5.7 (145)             | 5.7 (145)                   | 5   | 6.5        | 3000 (1360) | 3000 (1360)   | 3000 (1360)             |     |
|                              | 131 (3335)                         | 83.5 (2120)    | 153.7 (3905)          | 179.3 (4555)                | 5.7 (145)             | 5.7 (145)                   | 5   | 6.5        | 3000 (1360) | 3000 (1360)   | 3000 (1360)             |     |
|                              | 139 (3535)                         | 87.4 (2220)    | 161.6 (4105)          | 187.2 (4755)                | 5.7 (145)             | 5.7 (145)                   | 5   | 6.5        | 3000 (1360) | 3000 (1360)   | 3000 (1360)             |     |
|                              | 147 (3735)                         | 93.7 (2380)    | 169.5 (4305)          | 195.1 (4955)                | 5.7 (145)             | 5.7 (145)                   | 5   | 6.5        | 3000 (1360) | 3000 (1360)   | 3000 (1360)             |     |
| Full Free-Lift 2-Stage (FV)  | 158.5 (4035)                       | 101.2 (2570)   | 181.3 (4605)          | 206.9 (5255)                | 5.7 (145)             | 5.7 (145)                   | 5   | 6.5        | 3000 (1360) | 3000 (1360)   | 2950 (1338)             |     |
|                              | 107.5 (2735)                       | 71.7 (1820)    | 129.1 (3280)          | 155.7 (3955)                | 50.2 (1275)           | 23.6 (600)                  | 5   | 6.5        | 3000 (1360) | 3000 (1360)   | 3000 (1360)             |     |
|                              | 119 (3035)                         | 77.6 (1970)    | 140.9 (3580)          | 167.5 (4255)                | 56.1 (1425)           | 29.5 (750)                  | 5   | 6.5        | 3000 (1360) | 3000 (1360)   | 3000 (1360)             |     |
|                              | 131 (3335)                         | 83.5 (2120)    | 152.8 (3880)          | 179.3 (4555)                | 62 (1575)             | 35.4 (900)                  | 5   | 6.5        | 3000 (1360) | 3000 (1360)   | 3000 (1360)             |     |
|                              | 139 (3535)                         | 87.4 (2220)    | 160.6 (4080)          | 187.2 (4755)                | 65.9 (1675)           | 39.4 (1000)                 | 5   | 6.5        | 3000 (1360) | 3000 (1360)   | 3000 (1360)             |     |
|                              | 147 (3735)                         | 93.7 (2380)    | 168.5 (4280)          | 195.1 (4955)                | 72.2 (1835)           | 45.7 (1160)                 | 5   | 6.5        | 3000 (1360) | 3000 (1360)   | 3000 (1360)             |     |
| Full Free-Lift 3-Stage (FSV) | 158.5 (4035)                       | 101.2 (2570)   | 180.3 (4580)          | 206.9 (5255)                | 79.7 (2025)           | 53.1 (1350)                 | 5   | 6.5        | 3000 (1360) | 3000 (1360)   | 2950 (1338)             |     |
|                              | 147 (3735)                         | 69.7 (1770)    | 168.3 (4275)          | 195.1 (4955)                | 48.4 (1230)           | 21.7 (550)                  | 5   | 6.5        | 3000 (1360) | 3000 (1360)   | 3000 (1360)             |     |
|                              | 158.5 (4035)                       | 73.6 (1870)    | 180.1 (4575)          | 206.9 (5255)                | 52.4 (1330)           | 25.6 (650)                  | 5   | 6.5        | 3000 (1360) | 2900 (1315)   | 2900 (1315)             |     |
|                              | 170.5 (4335)                       | 77.6 (1970)    | 191.9 (4875)          | 218.7 (5555)                | 56.3 (1430)           | 29.5 (750)                  | 5   | 6.5        | 3000 (1360) | 2840 (1288)   | 2840 (1288)             |     |
|                              | 189 (4800)                         | 83.5 (2120)    | 209.6 (5325)          | 236.4 (6005)                | 62.2 (1580)           | 35.4 (900)                  | 5   | 6.5        | 2900 (1315) | 2740 (1242)   | 2740 (1242)             |     |
|                              | 198 (5035)                         | 87.4 (2220)    | 219.5 (5575)          | 246.3 (6255)                | 66.1 (1680)           | 39.4 (1000)                 | 5   | 6.5        | 2800 (1270) | 2600 (1179)   | 2550 (1156)             |     |
|                              | 217.5 (5535)                       | 93.7 (2380)    | 239.2 (6075)          | 265.9 (6755)                | 72.4 (1840)           | 45.7 (1160)                 | 5   | 6.5        | 2600 (1179) | 1970 (893)  | 1920 (870)              |     |
|                              | 237.5 (6035)                       | 101.2 (2570)   | 258.9 (6575)          | 285.6 (7255)                | 79.9 (2030)           | 53.1 (1350)                 | 5   | 6.5        | 2300 (1043) | 1450 (657) <sup>1</sup>                                   | 1400 (635) <sup>1</sup> |     |
| Full Free-Lift 4-Stage (QFV) | 241.3 (6130)                       | 83.5 (2120)    | 262.6 (6670)          | 289.4 (7350)                | 62.2 (1580)           | 35.4 (900)                  | 5   | 3          | 2220 (1006) | 1820 (825)  | 1770 (802)              |     |
|                              | 259.4 (6590)                       | 89.4 (2270)    | 281.3 (7145)          | 307.5 (7810)                | 68.1 (1730)           | 41.3 (1050)                 | 5   | 3          | 2120 (961)  | 1700 (771)  | 1650 (748)              |     |
|                              | 277.5 (7050)                       | 95.7 (2430)    | 299.4 (7605)          | 325.6 (8270)                | 74.4 (1890)           | 47.6 (1210)                 | 5   | 3          | 1620 (734)  | 1270 (576) <sup>1</sup>                                   | 1240 (562) <sup>1</sup> |     |

Note: Height of standard load backrest is 48".

1 All capacities of 1,500 lbs. or less are subject to a secondary review & could be denied by Toyota.

MAST SPECIFICATIONS

| MAST TYPE                    | MAXIMUM FORK HEIGHT (TOP OF FORKS) | OVERALL HEIGHT |                       |                             |                       | FREE-LIFT                   |         | TILT RANGE |             | LOAD CAPACITY AT 24 IN. (610 MM) LOAD CENTER <sup>1</sup> |                         |         |
|------------------------------|------------------------------------|----------------|-----------------------|-----------------------------|-----------------------|-----------------------------|---------|------------|-------------|---|-------------------------|---------|
|                              |                                    | LOWERED        | EXTENDED              |                             | WITHOUT LOAD BACKREST | WITH STANDARD LOAD BACKREST | FWD     | BWD        | CUSHION     | SOLID PN  | AIR-FILLED PN           |         |
|                              |                                    |                | WITHOUT LOAD BACKREST | WITH STANDARD LOAD BACKREST |                       |                             |         |            |             |   |                         | deg     |
|                              |                                    | in (mm)        | in (mm)               | in (mm)                     | in (mm)               | in (mm)                     | in (mm) | deg        | deg         | lb (kg)   | lb (kg)                 | lb (kg) |
| <b>8FBEB18U</b>              |                                    |                |                       |                             |                       |                             |         |            |             |   |                         |         |
| Wide Visible (V)             | 100 (2535)                         | 67.7 (1720)    | 122.2 (3105)          | 147.8 (3755)                | 5.7 (145)             | 5.7 (145)                   | 5       | 5          | 3500 (1587) | 3500 (1587)   | 3500 (1587)             |         |
|                              | 107.5 (2735)                       | 71.7 (1820)    | 130.1 (3305)          | 155.7 (3955)                | 5.7 (145)             | 5.7 (145)                   | 5       | 6.5        | 3500 (1587) | 3500 (1587)   | 3500 (1587)             |         |
|                              | 119 (3035)                         | 77.6 (1970)    | 141.9 (3605)          | 167.5 (4255)                | 5.7 (145)             | 5.7 (145)                   | 5       | 6.5        | 3500 (1587) | 3500 (1587)   | 3500 (1587)             |         |
|                              | 131 (3335)                         | 83.5 (2120)    | 153.7 (3905)          | 179.3 (4555)                | 5.7 (145)             | 5.7 (145)                   | 5       | 6.5        | 3500 (1587) | 3500 (1587)   | 3500 (1587)             |         |
|                              | 139 (3535)                         | 87.4 (2220)    | 161.6 (4105)          | 187.2 (4755)                | 5.7 (145)             | 5.7 (145)                   | 5       | 6.5        | 3500 (1587) | 3500 (1587)   | 3500 (1587)             |         |
|                              | 147 (3735)                         | 93.7 (2380)    | 169.5 (4305)          | 195.1 (4955)                | 5.7 (145)             | 5.7 (145)                   | 5       | 6.5        | 3500 (1587) | 3500 (1587)   | 3500 (1587)             |         |
| Full Free-Lift 2-Stage (FV)  | 158.5 (4035)                       | 101.2 (2570)   | 181.3 (4605)          | 206.9 (5255)                | 5.7 (145)             | 5.7 (145)                   | 5       | 6.5        | 3400 (1542) | 3400 (1542)   | 3400 (1542)             |         |
|                              | 107.5 (2735)                       | 71.7 (1820)    | 129.1 (3280)          | 155.7 (3955)                | 50.2 (1275)           | 23.6 (600)                  | 5       | 6.5        | 3500 (1587) | 3500 (1587)   | 3500 (1587)             |         |
|                              | 119 (3035)                         | 77.6 (1970)    | 140.9 (3580)          | 167.5 (4255)                | 56.1 (1425)           | 29.5 (750)                  | 5       | 6.5        | 3500 (1587) | 3500 (1587)   | 3500 (1587)             |         |
|                              | 131 (3335)                         | 83.5 (2120)    | 152.8 (3880)          | 179.3 (4555)                | 62 (1575)             | 35.4 (900)                  | 5       | 6.5        | 3500 (1587) | 3500 (1587)   | 3500 (1587)             |         |
|                              | 139 (3535)                         | 87.4 (2220)    | 160.6 (4080)          | 187.2 (4755)                | 65.9 (1675)           | 39.4 (1000)                 | 5       | 6.5        | 3500 (1587) | 3500 (1587)   | 3500 (1587)             |         |
|                              | 147 (3735)                         | 93.7 (2380)    | 168.5 (4280)          | 195.1 (4955)                | 72.2 (1835)           | 45.7 (1160)                 | 5       | 6.5        | 3500 (1587) | 3500 (1587)   | 3500 (1587)             |         |
| Full Free-Lift 3-Stage (FSV) | 158.5 (4035)                       | 101.2 (2570)   | 180.3 (4580)          | 206.9 (5255)                | 79.7 (2025)           | 53.1 (1350)                 | 5       | 6.5        | 3400 (1542) | 3400 (1542)   | 3400 (1542)             |         |
|                              | 147 (3735)                         | 69.7 (1770)    | 168.3 (4275)          | 195.1 (4955)                | 48.4 (1230)           | 21.7 (550)                  | 5       | 6.5        | 3400 (1542) | 3200 (1451)   | 3200 (1451)             |         |
|                              | 158.5 (4035)                       | 73.6 (1870)    | 180.1 (4575)          | 206.9 (5255)                | 52.4 (1330)           | 25.6 (650)                  | 5       | 6.5        | 3300 (1496) | 3200 (1451)   | 3200 (1451)             |         |
|                              | 170.5 (4335)                       | 77.6 (1970)    | 191.9 (4875)          | 218.7 (5555)                | 56.3 (1430)           | 29.5 (750)                  | 5       | 6.5        | 3200 (1451) | 3100 (1406)   | 3100 (1406)             |         |
|                              | 189 (4800)                         | 83.5 (2120)    | 209.6 (5325)          | 236.4 (6005)                | 62.2 (1580)           | 35.4 (900)                  | 5       | 6.5        | 3100 (1406) | 2800 (1270)   | 2800 (1270)             |         |
|                              | 198 (5035)                         | 87.4 (2220)    | 219.5 (5575)          | 246.3 (6255)                | 66.1 (1680)           | 39.4 (1000)                 | 5       | 6.5        | 2900 (1315) | 2630 (1192)   | 2580 (1170)             |         |
| Full Free-Lift 4-Stage (QFV) | 217.5 (5535)                       | 93.7 (2380)    | 239.2 (6075)          | 265.9 (6755)                | 72.4 (1840)           | 45.7 (1160)                 | 5       | 6.5        | 2580 (1170) | 1920 (870)  | 1870 (848)              |         |
|                              | 237.5 (6035)                       | 101.2 (2570)   | 258.9 (6575)          | 285.6 (7255)                | 79.9 (2030)           | 53.1 (1350)                 | 5       | 6.5        | 2070 (938)  | 1530 (694) <sup>1</sup>                                   | 480 (671) <sup>1</sup>  |         |
|                              | 241.3 (6130)                       | 83.5 (2120)    | 262.6 (6670)          | 289.4 (7350)                | 62.2 (1580)           | 35.4 (900)                  | 5       | 3          | 2400 (1089) | 1920 (870)  | 1870 (848)              |         |
|                              | 259.4 (6590)                       | 89.4 (2270)    | 281.3 (7145)          | 307.5 (7810)                | 68.1 (1730)           | 41.3 (1050)                 | 5       | 3          | 2300 (1043) | 1830 (830)  | 1680 (807)              |         |
|                              | 277.5 (7050)                       | 95.7 (2430)    | 299.4 (7605)          | 325.6 (8270)                | 74.4 (1890)           | 47.6 (1210)                 | 5       | 3          | 1700 (771)  | 1350 (612) <sup>1</sup>                                   | 1300 (589) <sup>1</sup> |         |

| MAST TYPE                    | MAXIMUM FORK HEIGHT (TOP OF FORKS) | OVERALL HEIGHT |                       |                             |                       | FREE-LIFT                   |     | TILT RANGE |             | LOAD CAPACITY AT 24 IN. (610 MM) LOAD CENTER <sup>1</sup> |                         |     |
|------------------------------|------------------------------------|----------------|-----------------------|-----------------------------|-----------------------|-----------------------------|-----|------------|-------------|---|-------------------------|-----|
|                              |                                    | LOWERED        | EXTENDED              |                             | WITHOUT LOAD BACKREST | WITH STANDARD LOAD BACKREST | FWD | BWD        | CUSHION     | SOLID PN  | AIR-FILLED PN           |     |
|                              |                                    |                | WITHOUT LOAD BACKREST | WITH STANDARD LOAD BACKREST |                       |                             |     |            |             |   |                         | deg |
|                              |                                    | in (mm)        | in (mm)               | in (mm)                     | in (mm)               | in (mm)                     | deg | deg        | lb (kg)     | lb (kg)   | lb (kg)                 |     |
| <b>8FBEB18U</b>              |                                    |                |                       |                             |                       |                             |     |            |             |   |                         |     |
| Wide Visible (V)             | 100 (2535)                         | 67.7 (1720)    | 122.2 (3105)          | 147.8 (3755)                | 5.7 (145)             | 5.7 (145)                   | 5   | 5          | 3500 (1587) | 3500 (1587)   | 3500 (1587)             |     |
|                              | 107.5 (2735)                       | 71.7 (1820)    | 130.1 (3305)          | 155.7 (3955)                | 5.7 (145)             | 5.7 (145)                   | 5   | 6.5        | 3500 (1587) | 3500 (1587)   | 3500 (1587)             |     |
|                              | 119 (3035)                         | 77.6 (1970)    | 141.9 (3605)          | 167.5 (4255)                | 5.7 (145)             | 5.7 (145)                   | 5   | 6.5        | 3500 (1587) | 3500 (1587)   | 3500 (1587)             |     |
|                              | 131 (3335)                         | 83.5 (2120)    | 153.7 (3905)          | 179.3 (4555)                | 5.7 (145)             | 5.7 (145)                   | 5   | 6.5        | 3500 (1587) | 3500 (1587)   | 3500 (1587)             |     |
|                              | 139 (3535)                         | 87.4 (2220)    | 161.6 (4105)          | 187.2 (4755)                | 5.7 (145)             | 5.7 (145)                   | 5   | 6.5        | 3500 (1587) | 3500 (1587)   | 3500 (1587)             |     |
|                              | 147 (3735)                         | 93.7 (2380)    | 169.5 (4305)          | 195.1 (4955)                | 5.7 (145)             | 5.7 (145)                   | 5   | 6.5        | 3500 (1587) | 3500 (1587)   | 3500 (1587)             |     |
| Full Free-Lift 2-Stage (FV)  | 158.5 (4035)                       | 101.2 (2570)   | 181.3 (4605)          | 206.9 (5255)                | 5.7 (145)             | 5.7 (145)                   | 5   | 6.5        | 3400 (1542) | 3400 (1542)   | 3400 (1542)             |     |
|                              | 107.5 (2735)                       | 71.7 (1820)    | 129.1 (3280)          | 155.7 (3955)                | 50.2 (1275)           | 23.6 (600)                  | 5   | 6.5        | 3500 (1587) | 3500 (1587)   | 3500 (1587)             |     |
|                              | 119 (3035)                         | 77.6 (1970)    | 140.9 (3580)          | 167.5 (4255)                | 56.1 (1425)           | 29.5 (750)                  | 5   | 6.5        | 3500 (1587) | 3500 (1587)   | 3500 (1587)             |     |
|                              | 131 (3335)                         | 83.5 (2120)    | 152.8 (3880)          | 179.3 (4555)                | 62 (1575)             | 35.4 (900)                  | 5   | 6.5        | 3500 (1587) | 3500 (1587)   | 3500 (1587)             |     |
|                              | 139 (3535)                         | 87.4 (2220)    | 160.6 (4080)          | 187.2 (4755)                | 65.9 (1675)           | 39.4 (1000)                 | 5   | 6.5        | 3500 (1587) | 3500 (1587)   | 3500 (1587)             |     |
|                              | 147 (3735)                         | 93.7 (2380)    | 168.5 (4280)          | 195.1 (4955)                | 72.2 (1835)           | 45.7 (1160)                 | 5   | 6.5        | 3500 (1587) | 3500 (1587)   | 3500 (1587)             |     |
| Full Free-Lift 3-Stage (FSV) | 158.5 (4035)                       | 101.2 (2570)   | 180.3 (4580)          | 206.9 (5255)                | 79.7 (2025)           | 53.1 (1350)                 | 5   | 6.5        | 3400 (1542) | 3400 (1542)   | 3400 (1542)             |     |
|                              | 147 (3735)                         | 69.7 (1770)    | 168.3 (4275)          | 195.1 (4955)                | 48.4 (1230)           | 21.7 (550)                  | 5   | 6.5        | 3400 (1542) | 3200 (1451)   | 3200 (1451)             |     |
|                              | 158.5 (4035)                       | 73.6 (1870)    | 180.1 (4575)          | 206.9 (5255)                | 52.4 (1330)           | 25.6 (650)                  | 5   | 6.5        | 3300 (1496) | 3200 (1451)   | 3200 (1451)             |     |
|                              | 170.5 (4335)                       | 77.6 (1970)    | 191.9 (4875)          | 218.7 (5555)                | 56.3 (1430)           | 29.5 (750)                  | 5   | 6.5        | 3200 (1451) | 3100 (1406)   | 3100 (1406)             |     |
|                              | 189 (4800)                         | 83.5 (2120)    | 209.6 (5325)          | 236.4 (6005)                | 62.2 (1580)           | 35.4 (900)                  | 5   | 6.5        | 3100 (1406) | 2800 (1270)   | 2800 (1270)             |     |
|                              | 198 (5035)                         | 87.4 (2220)    | 219.5 (5575)          | 246.3 (6255)                | 66.1 (1680)           | 39.4 (1000)                 | 5   | 6.5        | 2900 (1315) | 2630 (1192)   | 2580 (1170)             |     |
| Full Free-Lift 4-Stage (QFV) | 217.5 (5535)                       | 93.7 (2380)    | 239.2 (6075)          | 265.9 (6755)                | 72.4 (1840)           | 45.7 (1160)                 | 5   | 6.5        | 2580 (1170) | 1920 (870)  | 1870 (848)              |     |
|                              | 237.5 (6035)                       | 101.2 (2570)   | 258.9 (6575)          | 285.6 (7255)                | 79.9 (2030)           | 53.1 (1350)                 | 5   | 6.5        | 2070 (938)  | 1530 (694) <sup>1</sup>                                   | 480 (671) <sup>1</sup>  |     |
|                              | 241.3 (6130)                       | 83.5 (2120)    | 262.6 (6670)          | 289.4 (7350)                | 62.2 (1580)           | 35.4 (900)                  | 5   | 3          | 2400 (1089) | 1920 (870)  | 1870 (848)              |     |
|                              | 259.4 (6590)                       | 89.4 (2270)    | 281.3 (7145)          | 307.5 (7810)                | 68.1 (1730)           | 41.3 (1050)                 | 5   | 3          | 2300 (1043) | 1830 (830)  | 1680 (807)              |     |
|                              | 277.5 (7050)                       | 95.7 (2430)    | 299.4 (7605)          | 325.6 (8270)                | 74.4 (1890)           | 47.6 (1210)                 | 5   | 3          | 1700 (771)  | 1350 (612) <sup>1</sup>                                   | 1300 (589) <sup>1</sup> |     |

Note: Height of standard load backrest is 48".  
 1 All capacities of 1,500 lbs. or less are subject to a secondary review & could be denied by Toyota.

| MAST TYPE                    | MAXIMUM FORK HEIGHT (TOP OF FORKS) | OVERALL HEIGHT |                       |                             |                       | FREE-LIFT                   |     | TILT RANGE |                         | LOAD CAPACITY AT 24 IN. (610 MM) LOAD CENTER <sup>1</sup> |     |
|------------------------------|------------------------------------|----------------|-----------------------|-----------------------------|-----------------------|-----------------------------|-----|------------|-------------------------|---|-----|
|                              |                                    | LOWERED        | EXTENDED              |                             | WITHOUT LOAD BACKREST | WITH STANDARD LOAD BACKREST | FWD | BWD        | CUSHION                 | SOLID PN  |     |
|                              |                                    |                | WITHOUT LOAD BACKREST | WITH STANDARD LOAD BACKREST |                       |                             |     |            |                         |   | deg |
| 8FBE20U                      |                                    |                |                       |                             |                       |                             |     |            |                         |   |     |
| Wide Visible (V)             | 100 (2540)                         | 67.7 (1720)    | 122.2 (3105)          | 147.8 (3755)                | 5.9 (150)             | 5.9 (150)                   | 5   | 5          | 4000 (1814)             | 3950 (1790)   |     |
|                              | 108 (2740)                         | 71.7 (1820)    | 130.1 (3305)          | 155.7 (3955)                | 5.9 (150)             | 5.9 (150)                   | 5   | 6.5        | 4000 (1814)             | 3950 (1790)   |     |
|                              | 119.5 (3040)                       | 77.6 (1970)    | 141.9 (3605)          | 167.5 (4255)                | 5.9 (150)             | 5.9 (150)                   | 5   | 6.5        | 4000 (1814)             | 3950 (1790)   |     |
|                              | 131.5 (3340)                       | 83.5 (2120)    | 153.7 (3905)          | 179.3 (4555)                | 5.9 (150)             | 5.9 (150)                   | 5   | 6.5        | 4000 (1814)             | 3950 (1790)   |     |
|                              | 139 (3540)                         | 87.4 (2220)    | 161.6 (4105)          | 187.2 (4755)                | 5.9 (150)             | 5.9 (150)                   | 5   | 6.5        | 4000 (1814)             | 3950 (1790)   |     |
|                              | 147 (3740)                         | 93.7 (2380)    | 169.5 (4305)          | 195.1 (4955)                | 5.9 (150)             | 5.9 (150)                   | 5   | 6.5        | 4000 (1814)             | 3950 (1790)   |     |
| Full Free-Lift 2-Stage (FV)  | 159 (4040)                         | 101.2 (2570)   | 181.3 (4605)          | 206.9 (5255)                | 5.9 (150)             | 5.9 (150)                   | 5   | 6.5        | 4000 (1814)             | 3950 (1790)   |     |
|                              | 108 (2740)                         | 71.7 (1820)    | 129.1 (3280)          | 155.7 (3955)                | 50.4 (1280)           | 23.8 (605)                  | 5   | 6.5        | 4000 (1814)             | 3950 (1790)   |     |
|                              | 119.5 (3040)                       | 77.6 (1970)    | 140.9 (3580)          | 167.5 (4255)                | 56.3 (1430)           | 29.7 (755)                  | 5   | 6.5        | 4000 (1814)             | 3950 (1790)   |     |
|                              | 131.5 (3340)                       | 83.5 (2120)    | 152.8 (3880)          | 179.3 (4555)                | 62.2 (1580)           | 35.6 (905)                  | 5   | 6.5        | 4000 (1814)             | 3950 (1790)   |     |
|                              | 139 (3540)                         | 87.4 (2220)    | 160.6 (4080)          | 187.2 (4755)                | 66.1 (1680)           | 39.6 (1005)                 | 5   | 6.5        | 4000 (1814)             | 3950 (1790)   |     |
| Full Free-Lift 3-Stage (FSV) | 147 (3740)                         | 93.7 (2380)    | 168.5 (4280)          | 195.1 (4955)                | 72.4 (1840)           | 45.9 (1165)                 | 5   | 6.5        | 4000 (1814)             | 3950 (1790)   |     |
|                              | 159 (4040)                         | 101.2 (2570)   | 180.3 (4580)          | 206.9 (5255)                | 79.9 (2030)           | 53.3 (1355)                 | 5   | 6.5        | 4000 (1814)             | 3950 (1790)   |     |
|                              | 147 (3740)                         | 69.7 (1770)    | 168.3 (4275)          | 195.1 (4955)                | 48.6 (1235)           | 21.9 (555)                  | 5   | 6.5        | 3950 (1791)             | 3750 (1700)   |     |
|                              | 159 (4040)                         | 73.6 (1870)    | 180.1 (4575)          | 206.9 (5255)                | 52.6 (1335)           | 25.8 (655)                  | 5   | 6.5        | 3900 (1769)             | 3750 (1700)   |     |
|                              | 170.5 (4340)                       | 77.6 (1970)    | 191.9 (4875)          | 218.7 (5555)                | 56.5 (1435)           | 29.7 (755)                  | 5   | 6.5        | 3850 (1740)             | 3680 (1670)   |     |
|                              | 189 (4800)                         | 83.5 (2120)    | 209.6 (5325)          | 236.4 (6005)                | 62.4 (1585)           | 35.6 (905)                  | 5   | 6.5        | 3750 (1700)             | 3370 (1530)   |     |
| Full Free-Lift 4-Stage (QFV) | 198 (5040)                         | 87.4 (2220)    | 219.5 (5575)          | 246.3 (6255)                | 66.3 (1685)           | 39.6 (1005)                 | 5   | 6.5        | 3500 (1587)             | 2980 (1350)   |     |
|                              | 218 (5540)                         | 93.7 (2380)    | 239.2 (6075)          | 265.9 (6755)                | 72.6 (1845)           | 45.9 (1165)                 | 5   | 6.5        | 3300 (1496)             | 2490 (1130)   |     |
|                              | 237.5 (6040)                       | 101.2 (2570)   | 258.9 (6575)          | 285.6 (7255)                | 80.1 (2035)           | 53.3 (1355)                 | 5   | 6.5        | 2550 (1156)             | 1790 (810)  |     |
|                              | 241.5 (6135)                       | 83.5 (2120)    | 262.6 (6670)          | 289.4 (7350)                | 62.4 (1585)           | 35.6 (905)                  | 5   | 3          | 2800 (1270)             | 2250 (1020)   |     |
|                              | 259.6 (6595)                       | 89.4 (2270)    | 281.3 (7145)          | 307.5 (7810)                | 68.3 (1735)           | 41.5 (1055)                 | 5   | 3          | 2550 (1157)             | 1990 (900)  |     |
| 277.5 (7055)                 | 95.7 (2430)                        | 299.4 (7605)   | 325.6 (8270)          | 74.6 (1895)                 | 47.8 (1215)           | 5                           | 3   | 1850 (839) | 1410 (640) <sup>1</sup> |   |     |

Note: Height of standard load backrest is 48".

<sup>1</sup> All capacities of 1,500 lbs. or less are subject to a secondary review & could be denied by Toyota.

Some product features described herein are optional. Please consult your dealer for specifications.  
Details of specifications and equipment are based on information available at time of printing and may change without notice.



**INDUSTRIAL EQUIPMENT**

**REACH NEW HEIGHTS**

007228FBESS

©2016 Toyota Material Handling, U.S.A., Inc.

*Courtesy of CraneMarket*