

# UR-W376C

# UNIC MINI-CRAWLER CRANE

UR-W376C features a six-section hydraulic boom to allow a maximum hook height of 14.9m.

The middle size UNIC mini-crawler crane can be operated either from the onboard operator seat or from a distance using a remote control. Its class-leading boom length of 14.61m brings wide working radius and excellent lifting height.

Max 14.9m  
Hook height (Approx.)  
(Above ground level)

Max 3.03t  
x2.5m  
Lifting capacity

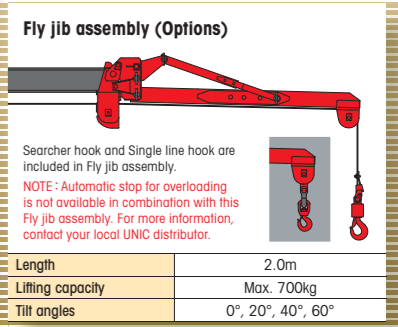
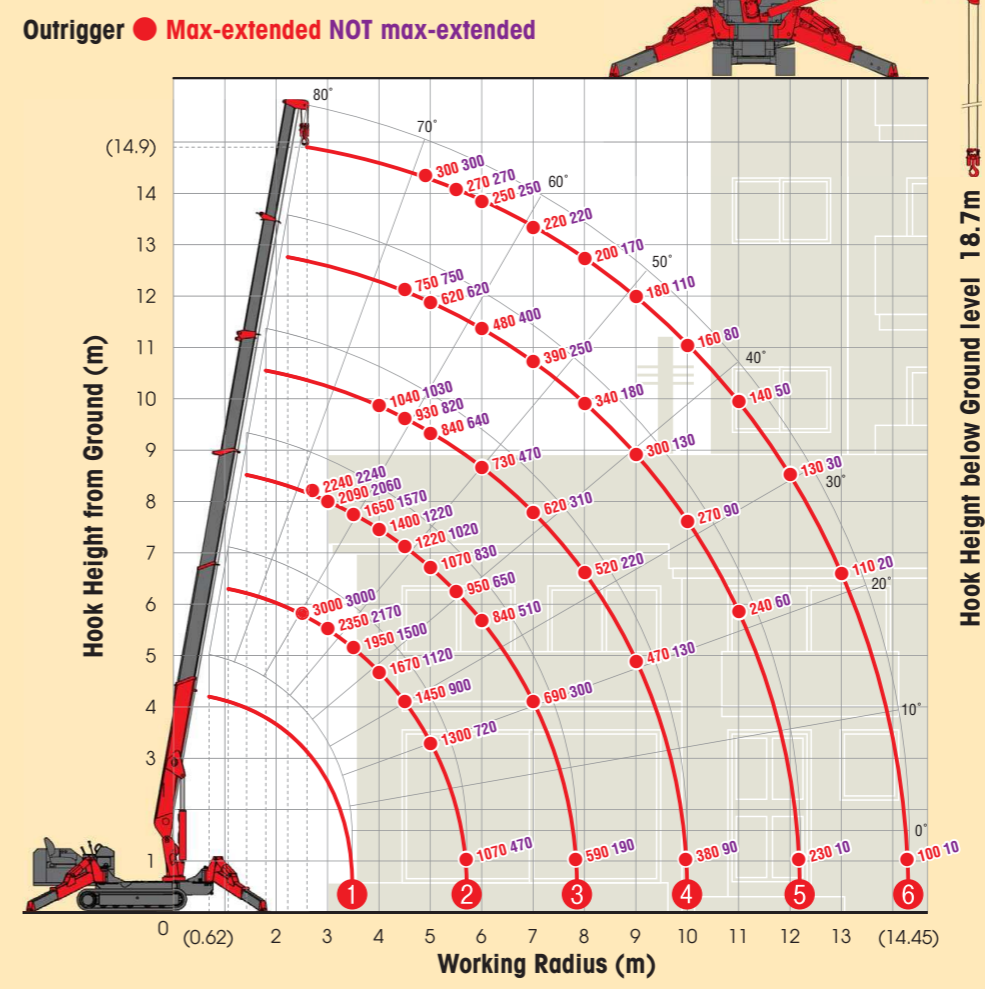
Max 14.45m  
Working radius

3860kg  
Mass of crane

Radio remote control



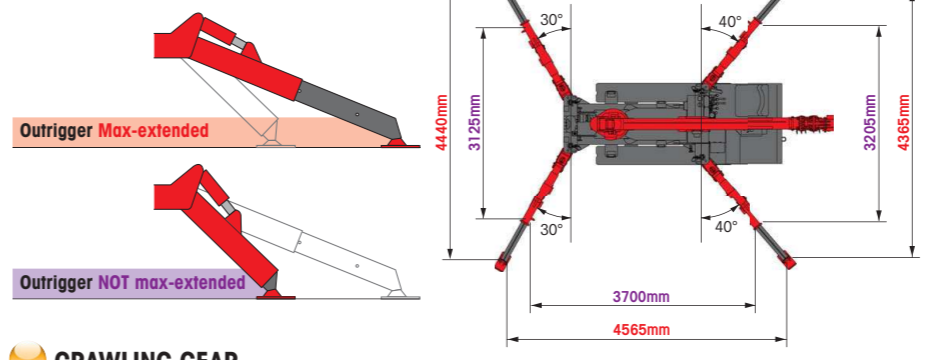
## WORKING RANGE & NET RATED LOADS (kg)



## SPECIFICATIONS

| Crane model           | UR-W376C2  |
|-----------------------|--|
| Lifting capacity      | Max. 3.03t at 2.5m   |
| Working radius        | Min. 0.62m, Max. 14.45m  |
| Hook height (Approx.) | Above ground level: Max. 14.9m<br>Below ground level: Max. 18.7m with 4-part line  |
| Boom                  | Length: Min. 3.63m to Max. 14.61m<br>Extending speed [with electric power unit]: 10.98m / 23.0 sec. [50Hz] 10.98m / 40.0 sec. [60Hz] 10.98m / 33.5 sec.<br>Raising angle / speed [with electric power unit]: 0° to 80° / 10.0 sec. [50Hz] 0° to 80° / 18.0 sec. [60Hz] 0° to 80° / 15.0 sec.<br>Structure: 6-section box beam type telescoping boom  |
| Winch                 | Single line speed [with electric power unit]: 68.0 m/min (at 4th layer) [50Hz] 34.0 m/min (at 4th layer) [60Hz] 40.0 m/min (at 4th layer)<br>Hook speed [with electric power unit]: 17.0 m/min (at 4th layer with 4-part line) [50Hz] 8.5 m/min (at 4th layer with 4-part line) [60Hz] 10.0 m/min (at 4th layer with 4-part line)<br>Structure: Hydraulic motor driven, spur gear reduction, with automatic mechanical brake and wire rope retaining roller<br>Wire rope: Construction : IWRC 6 x WS(26) GRADE B / Diameter x Length : 8mm x 85.0m / Breaking strength : 42.4kN (4320 kgf)<br>Hook block: 3.00t capacity, 2 sheaves with safety latch  |
| Slewing               | Range: 360° continuous rotation on a ball bearing race<br>Speed [with electric power unit]: 2.5 rpm [50Hz] 2.1 rpm [60Hz] 2.5 rpm<br>Structure: Hydraulic motor driven, worm gear reduction, spur gear reduction, and worm self-locking brake (supported by ball bearings)   |
| Outriggers            | Horizontal, Vertical: A double acting hydraulic cylinder, direct pushing type (Directly connected with hydraulic automatic lock device)<br>Type: Variable delivery piston pump<br>Rated pressure: 21.6 MPa [220 kgf/cm <sup>2</sup> ]<br>Rated delivery: 60 liters/min<br>Rated revolution: 2500 rpm<br>Hydraulic oil tank capacity: 75 liters   |
| Safety devices        | Pressure relief valve for hydraulic circuit / Counterbalance valves for boom raising and boom telescoping cylinders / Pilot-operated check valves for outrigger cylinders (Horizontal)<br>Double pilot-operated check valves for outrigger cylinders (Vertical) / Boom angle indicator with load indicator / Hook safety latch / Automatic mechanical brake for winch<br>Automatic stop for overwinding / Overwinding alarm / Automatic stop for leaving minimum wire rope / Emergency stop button / Inter-lock device of crane and crawling levers<br>Inter-lock device of crane and outriggers / Level / Automatic stop for overloading (KM-100) / Digital load meter / Three colored lamp / Headlight / Boom outrigger monitor lamp |

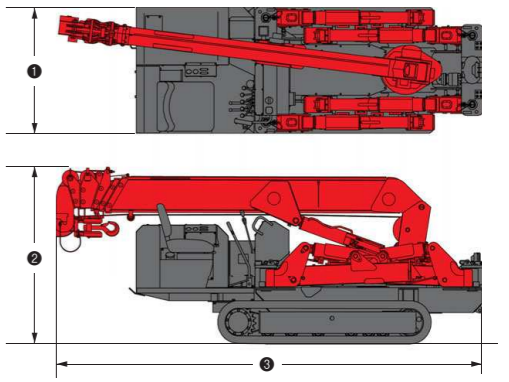
## OUTRIGGER POSITIONS



## CRAWLING GEAR

| Crane model  | UR-W376C2  |
|--|--|
| Crawling speed [with electric power unit]          | 0-3.0 km/h, forward / backward [50Hz] 0-1.3 km/h [60Hz] 0-1.5 km/h           |
| Hill climbing ability                              | 23°  |
| Tread length                                       | 1750mm   |
| Ground contact pressure [with electric power unit] | 36.3 kPa (0.37 kgf/cm <sup>2</sup> )<br>37.3 kPa (0.38 kgf/cm <sup>2</sup> ) |
| Engine manufacturer / model                        | Yanmar / 3TNV76  |
| Displacement                                       | 1115cc   |
| Maximum output                                     | 15.17kW(20.6PS) / 2500 rpm, Rated output                                     |
| Fuel   | Diesel   |
| Fuel tank capacity                                 | 40 liters  |
| Steering   | Hydraulic drive independent of left / right                                  |
| Starter  | Starter motor  |

## DIMENSIONS



| Crane model    | UR-W376C2                                  |
|----------------|--|
| ① Total width  | 1300mm                                     |
| ② Total height | 1800mm                                     |
| ③ Total length | 4340mm                                     |
| Mass of crane  | 3860kg [4010kg] [with electric power unit] |

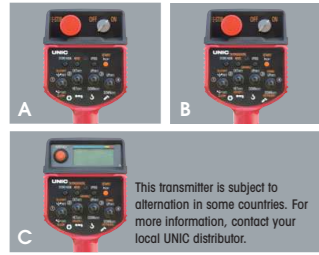
### Electric power unit specifications

|             |  |
|-------------|--|
| Rated power | 7.5kW (3-phase 4 poles)                  |
| Voltage     | AC 200V or 400V (50Hz / 60Hz) 3 phase 4P |

\*Not included any cables.

# Standard equipments and Options

# UNIC MINI-CRAWLER CRANE



**1** Radio remote control  
 A W094C, W295C  
 B W376C, W546C, W547C, W706C  
 C W1006C



**2** Cable remote control



**3** Load meter



**4** Digital load meter  
 Load indication is each 20kg (0.02t).



**5** Automatic stop for overloading  
 KM-100 W376C, W546C, W547C



**6** Automatic stop for overloading  
 ML-300 W706C



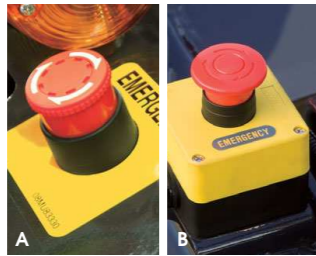
**7** Safe load indicator



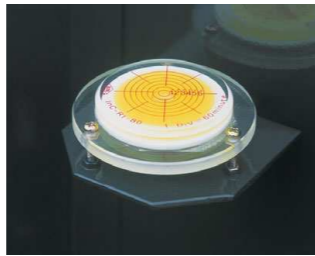
**8** Automatic stop for overwinding



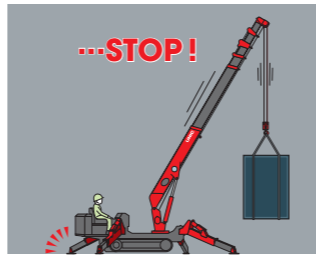
**9** Automatic stop for leaving minimum wire rope



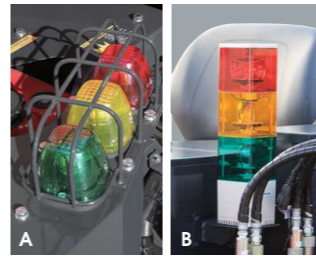
**10** Emergency stop button  
 A W094C, W295C  
 B W376C, W546C, W547C, W706C, W1006C



**11** Level



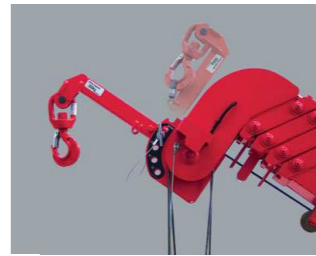
**12** Turn over prevention device



**13** Three colored lamp  
 A W295C  
 B W376C, W546C, W547C, W706C, W1006C



**14** Boom outrigger monitor lamp



**15** Searcher hook assembly



**16** Fly jib assembly



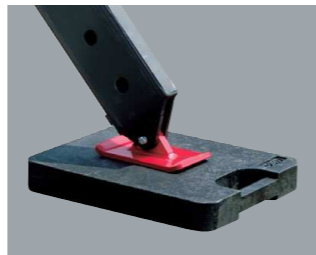
**17** Single line hook



**18** Working light



**19** Headlight



**20** Outrigger mats



**21** Black crawler belt



**22** White crawler belt  
**23** White crawler belt (as spare)



**24** Rubber Pad



**25** 20M cable for motor (200V)  
**26** 20M cable for motor (400V)

STANDARD EQUIPMENTS / OPTION [★ Standard ● Option — Not available]

| Crane model                                    | UR-W094C             |                      | UR-W295C             |                   | UR-W295C1         |                 | UR-W376C2       |                 | UR-W546C2       |                 | UR-W547C2       |                   | UR-W706C2         |                 | UR-W1006C2      |  | Crane model |
|--|----------------------|----------------------|----------------------|-------------------|-------------------|-----------------|-----------------|-----------------|-----------------|-----------------|-----------------|-------------------|-------------------|-----------------|-----------------|--|-------------|
|  | UR-W094CP2E          | UR-W295CP2A          | UR-W295CP2AM         | UR-W295C1A        | UR-W295C1AM       | UR-W376C2A      | UR-W376C2AM     | UR-W546C2A      | UR-W546C2AM     | UR-W547C2A      | UR-W547C2AM     | UR-W706C2A        | UR-W706C2AM       | UR-W1006C2A     | UR-W1006C2AM    |  |             |
| Engine manufacturer / model                    | Mitsubishi / GB300LE | Mitsubishi / GB400LE | Mitsubishi / GB400LE | Kubota / Z482-E3B | Kubota / Z482-E3B | Yanmar / 3TNV76 | Yanmar / 3TNV76 | Yanmar / 3TNV76 | Yanmar / 3TNV76 | Yanmar / 3TNV76 | Yanmar / 3TNV76 | Mitsubishi / S4L2 | Mitsubishi / S4L2 | Yanmar / 4TNV88 | Yanmar / 4TNV88 | Engine manufacturer / model                    |             |
| Fuel   | Petrol               | Petrol               | Petrol               | Diesel            | Diesel            | Diesel          | Diesel          | Diesel          | Diesel          | Diesel          | Diesel          | Diesel            | Diesel            | Diesel          | Diesel          | Fuel   |             |
| Electric motor                                 | —                    | —                    | AC 200V or 400V      | —                 | AC 200V or 400V   | —               | AC 200V or 400V | —               | AC 200V or 400V | —               | AC 200V or 400V | —                 | AC 200V or 400V   | —               | AC 400/400-440V | Electric motor                                 |             |
| 1 Radio remote control                         | ★                    | ★                    | ★                    | ★                 | ★                 | ★               | ★               | ★               | ★               | ★               | ★               | ★                 | ★                 | ★               | ★               | 1 Radio remote control                         |             |
| 2 Cable remote control                         | ●                    | ●                    | ●                    | ●                 | ●                 | ●               | ●               | ●               | ●               | ●               | ●               | ●                 | ●                 | ●               | ●               | 2 Cable remote control                         |             |
| 3 Load meter                                   | ★                    | ★                    | ★                    | ★                 | ★                 | —               | —               | —               | —               | —               | —               | —                 | —                 | —               | —               | 3 Load meter                                   |             |
| 4 Digital load meter                           | —                    | ●                    | ●                    | ●                 | ●                 | ★               | ★               | ★               | ★               | ★               | ★               | ★                 | ★                 | ★               | ★               | 4 Digital load meter                           |             |
| 5 Automatic stop for overloading (KM-100)      | —                    | —                    | —                    | —                 | —                 | ★               | ★               | ★               | ★               | ★               | ★               | —                 | —                 | —               | —               | 5 Automatic stop for overloading (KM-100)      |             |
| 6 Automatic stop for overloading (ML-300)      | —                    | —                    | —                    | —                 | —                 | —               | —               | —               | —               | —               | —               | ★                 | ★                 | —               | —               | 6 Automatic stop for overloading (ML-300)      |             |
| 7 Safe load indicator                          | —                    | —                    | —                    | —                 | —                 | —               | —               | —               | —               | —               | —               | —                 | —                 | —               | —               | 7 Safe load indicator                          |             |
| 8 Automatic stop for overwinding               | ★                    | ★                    | ★                    | ★                 | ★                 | ★               | ★               | ★               | ★               | ★               | ★               | ★                 | ★                 | ★               | ★               | 8 Automatic stop for overwinding               |             |
| 9 Automatic stop for leaving minimum wire rope | ★                    | ★                    | ★                    | ★                 | ★                 | ★               | ★               | ★               | ★               | ★               | ★               | ★                 | ★                 | ★               | ★               | 9 Automatic stop for leaving minimum wire rope |             |
| 10 Emergency stop button                       | ★                    | ★                    | ★                    | ★                 | ★                 | ★               | ★               | ★               | ★               | ★               | ★               | ★                 | ★                 | ★               | ★               | 10 Emergency stop button                       |             |
| 11 Level                                       | ★                    | ★                    | ★                    | ★                 | ★                 | ★               | ★               | ★               | ★               | ★               | ★               | ★                 | ★                 | ★               | ★               | 11 Level                                       |             |
| 12 Turn over prevention device                 | —                    | ★                    | ★                    | ★                 | ★                 | ●               | ●               | —               | —               | —               | —               | —                 | —                 | —               | —               | 12 Turn over prevention device                 |             |
| 13 Three colored lamp                          | —                    | ●                    | ●                    | ●                 | ●                 | ★               | ★               | ★               | ★               | ★               | ★               | ★                 | ★                 | ★               | ★               | 13 Three colored lamp                          |             |
| 14 Boom outrigger monitor lamp                 | —                    | —                    | —                    | —                 | —                 | ★               | ★               | ★               | ★               | ★               | ★               | ★                 | ★                 | ★               | ★               | 14 Boom outrigger monitor lamp                 |             |
| 15 Searcher hook assembly                      | —                    | ●                    | ●                    | ●                 | ●                 | ●               | ●               | ●               | ●               | ●               | ●               | ●                 | ●                 | ●               | ●               | 15 Searcher hook assembly                      |             |
| 16 Fly jib assembly                            | —                    | ●                    | ●                    | ●                 | ●                 | ●               | ●               | ●               | ●               | ●               | ●               | ●                 | ●                 | ●               | ●               | 16 Fly jib assembly                            |             |
| 17 Single line hook                            | —                    | ●                    | ●                    | ●                 | ●                 | —               | —               | —               | —               | —               | —               | —                 | —                 | —               | —               | 17 Single line hook                            |             |
| 18 Working light                               | ●                    | ●                    | ●                    | ●                 | ●                 | ●               | ●               | ●               | ●               | ●               | ●               | ●                 | ●                 | ●               | ●               | 18 Working light                               |             |
| 19 Headlight                                   | —                    | —                    | —                    | —                 | —                 | ★               | ★               | ★               | ★               | ★               | ★               | ★                 | ★                 | ★               | ★               | 19 Headlight                                   |             |
| 20 Outrigger mats                              | ●                    | ●                    | ●                    | ●                 | ●                 | ●               | ●               | ●               | ●               | ●               | ●               | ●                 | ●                 | ●               | ●               | 20 Outrigger mats                              |             |
| 21 Black crawler belt                          | ★                    | ★                    | ★                    | ★                 | ★                 | ★               | ★               | ★               | ★               | ★               | ★               | ★                 | ★                 | ★               | ★               | 21 Black crawler belt                          |             |
| 22 White crawler belt                          | ●                    | ●                    | ●                    | ●                 | ●                 | —               | —               | —               | —               | —               | —               | —                 | —                 | —               | —               | 22 White crawler belt                          |             |
| 23 White crawler belt (as spare)               | ●                    | ●                    | ●                    | ●                 | ●                 | ●               | ●               | ●               | ●               | ●               | ●               | ●                 | ●                 | ●               | ●               | 23 White crawler belt (as spare)               |             |
| 24 Rubber Pad                                  | —                    | —                    | —                    | —                 | —                 | —               | —               | —               | —               | —               | —               | —                 | —                 | —               | —               | 24 Rubber Pad                                  |             |
| 25 20M cable for motor (200V)                  | —                    | —                    | ●                    | —                 | —                 | —               | —               | —               | —               | —               | —               | —                 | —                 | —               | —               | 25 20M cable for motor (200V)                  |             |
| 26 20M cable for motor (400V)                  | —                    | —                    | ●                    | —                 | —                 | —               | —               | —               | —               | —               | —               | —                 | —                 | —               | —               | 26 20M cable for motor (400V)                  |             |