

Mast Boom

UpRight

POWERED ACCESS



- Working height up to 10m
- Working outreach to 3m
- Platform capacity for 2 people and tools
- 138° articulating jib
- 360° mast rotation
- One-hand proportional controls
- MB20N just 810mm wide
- 300mm inside turning radius
- Driveable while fully elevated
- Non-marking tyres

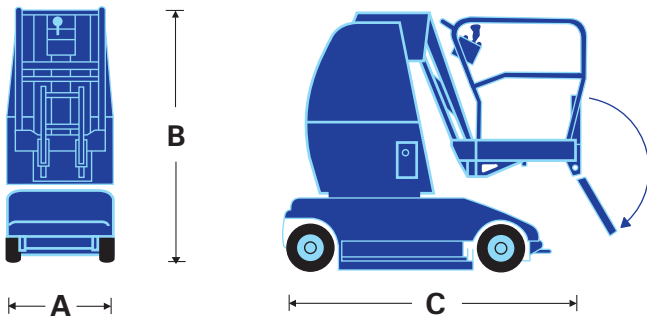
MB20N

MB26

MB20N/26 mast boom specifications

	MB20N	MB26
max. working height	8.0m	10.0m
max. platform height	6.0m	8.0m
max. drive height	6.0m	8.0m
max. working outreach	2.6m	3.0m
platform capacity (SWL)	215kg	215kg
platform size	0.78m x 0.73m	0.78m x 0.73m
width A	0.81m	0.99m
stowed height B	1.98m	1.98m
stowed length C	2.43m	2.8m
gross weight	2,570kg	2,672kg
drive speed - stowed	3.0km/h	3.0km/h
- elevated	0.7km/h	0.7km/h
gradeability	14° / 25%	14° / 25%
inside turning radius	0.3m	0.3m
outside turning radius	1.85m	2.1m
tail swing	250mm	140mm
jib arc	138°	138°
mast rotation	360° (non-continuous)	
control system	smooth, one-hand proportional controls	
power source	4 x 6V x 375 AH batteries	

Specifications subject to change without notice. Photos and diagrams in this brochure are for promotional purposes only. Refer to appropriate UpRight operators manual for detailed instructions on the proper use and maintenance.



BP1: MB20N/26 10/06

UpRight
POWERED ACCESS

Vigo Centre, Birtley Road, Washington,
Tyne & Wear, NE38 9DA, U.K.

Sales Tel: +44 (0) 845 1550 057 • Spare Parts Tel: +44 (0) 845 1550 058

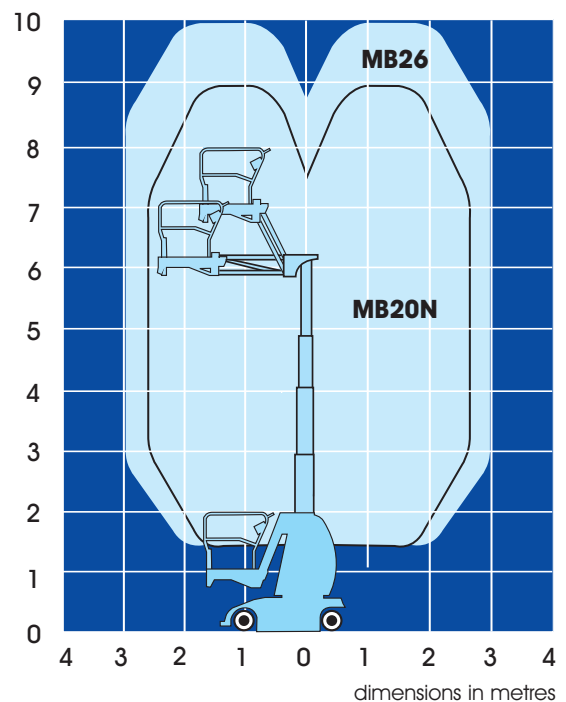
www.upright.com

standard features

- Proportional one-hand controls
- Ultra-tight inside turning radius
- Tilt alarm
- Two person basket
- Rated for outdoor use
- Solid non-marking tyres
- Ground control station
- Self-seeking automatic charger with line contactor allowing AC/DC operation
- Automatic battery top up
- 1 year parts and labour warranty
- 5 year structural warranty

options

- Flashing amber beacon
- Power to platform (220V or 110V)
- Special paint colours
- Environmental green oil



CE This product is available with the CE mark confirming compliance with all relevant European Machinery Directives

manufactured by
UpRight
POWERED ACCESS