

Personnel Lift

UpRight

POWERED ACCESS



- Patented Girder Lock telescopic mast system
- Ground level entry
- Choice of platform heights
- Compact outrigger footprint
- Fast set-up increases productivity
- EZ Loader system for transport
- Tilt-back system allows passage through standard doorways
- AC or DC power

UL25

UL32

UL40

UL RANGE personnel lift specifications

	UL25	UL32	UL40
max. working height A	9.6m	11.7m	14.2m
max. platform height B	7.62m	9.72m	12.15m
platform capacity (SWL)	159kg	136kg	136kg
outrigger footprint width C x length D	1.50m x 1.43m	2.06m x 1.99m	2.34m x 2.26m
platform size	0.56m x 0.66m	0.56m x 0.66m	0.56m x 0.66m
stowed length E	1.26m	1.32m	1.32m
height F	1.98m	2.53m	2.90m
width G	0.74m	0.74m	0.74m
tilted back height H	n/a	1.85m	2.0m
length I	n/a	2.72m	3.05m
wall access - distance from front of platform to wall	102mm	356mm	508mm
gross weight: AC	349kg	417kg	449kg
gross weight: DC	367kg	435kg	467kg
power source	1 x 12V 105 Ah battery or 120/220V Ac 50Hz		

Specifications subject to change without notice. Photos and diagrams in this brochure are for promotional purposes only. Refer to appropriate UpRight operators manual for detailed instructions on the proper use and maintenance.



Thanks to the tilt-back system all models will pass through standard single doorways. Large diameter rear wheels on roller bearings move easily over thresholds.



All UL models are fitted with the EZ loader system to assist loading onto pickup trucks.



Bp1. UL Range 10/06

UpRight
POWERED ACCESS

Vigo Centre, Birtley Road, Washington,
Tyne & Wear, NE38 9DA, U.K.

Sales Tel: +44 (0) 845 1550 057 • Spare Parts Tel: +44 (0) 845 1550 058

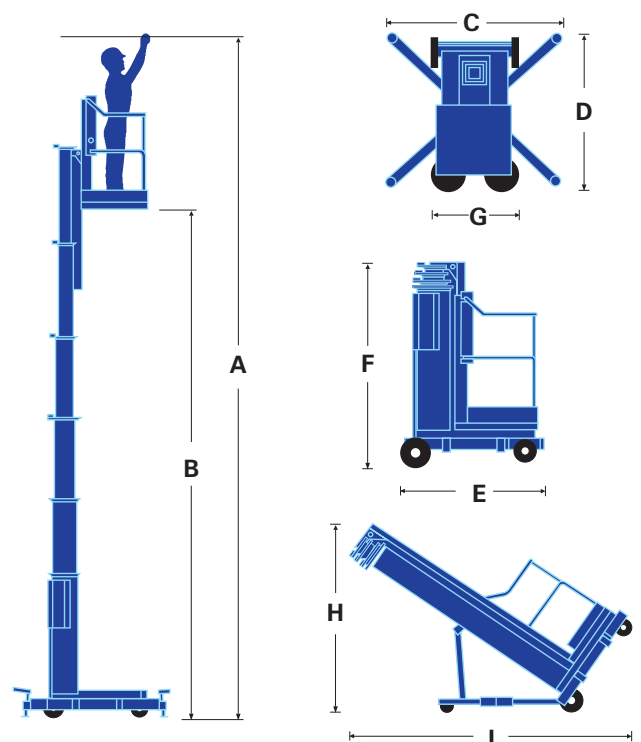
www.upright.com

standard features

- Tilt-back mechanism (UL32/40 models only)
- Outrigger interlock indicators
- Power cable to platform
- Integrated battery charger (DC only)
- 1 year parts and labour warranty
- 5 year structural warranty

options

- Laser locator
- Outdoor outriggers
- Power to platform
- Canvas bag for fluorescent tubes
- Tool tray
- Environmental green oil



CE This product is available with the CE mark confirming compliance with all relevant European Machinery Directives

manufactured by
UpRight
POWERED ACCESS

Courtesy of Crane.Market