



ALL TERRAIN CARRIER

C30R_{us}



YANMAR · YOUR BEST PARTNER FOR BUILDING THE FUTURE

Courtesy of Machine.Market

The Carrier for Professionals

Simple, Efficient Operation and the Rugg



Turnable Reverse Operator's Seat

Turn the seat around with a single lever operation, without even getting out of your seat. The operator can always face forward regardless of the direction of travel. That's a convenient feature on restricted worksites.



Variable Speed HST

Just step on the pedal to change speed like when using the automatic transmission of a passenger car. Acceleration and deceleration are smooth.



Walk-through Operator Seat

Get in and out from either side — a big plus when space is tight.

Rubber Tracks

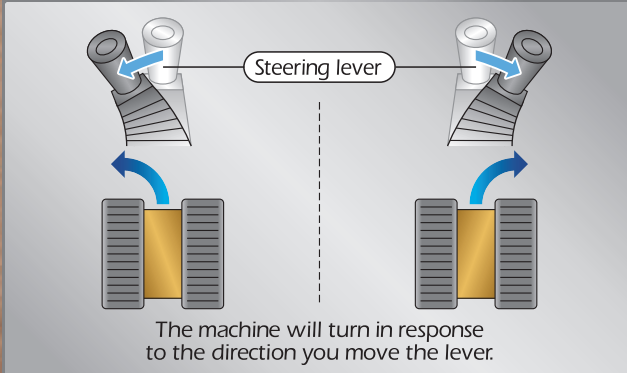
The durable rubber tracks are gentle to the ground and have plenty of traction on soft ground.

Front Bumper

The front bumper protects the machine from damage during work.

edness for Every Terrain

Single Handed Operation



The single steering lever is extremely easy to operate with one hand. The easy controls give the operator hours of low-fatigue operation.

The Ruggedness for Large Capacity Loads 5,500lbs (2500kg)

The loading vessel bottom plate is 0.24 inch thick, and the structure rugged and strong.



Efficient Dumping

The dumping angle and clearance are big for efficient dumping.



Track

rubber tracks on asphalt but provide traction on



bumper

bumper protects the front of the machine from damage



Four-pillar ROPS/FOPS Canopy Retractable Seat Belt

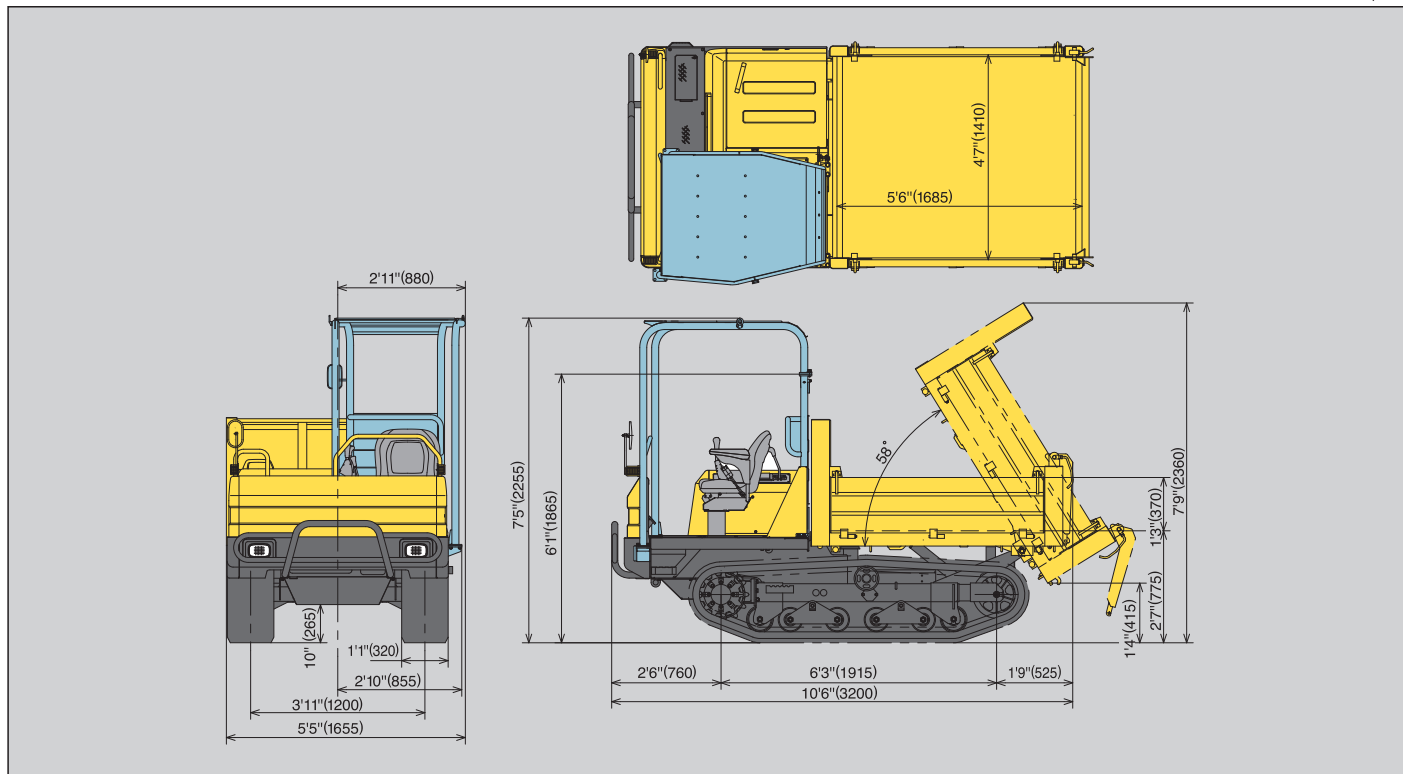
The ROPS (Rollover Protective Structure) and FOPS (Falling Object Protective Structure) canopy complies with safety standards.



Easy Engine Maintenance

The hood opens fully for easy engine maintenance. The engine complies with the EPA's emissions regulation.





Specifications

Model		C30Rus		
Dump Vessel Type		One-way dump type		
Shape of Vessel		Box-shape		
Operating Weight	Net, unloaded	lbs (kg)	5215 (2365)	
Engine	Type	Direct injection combustion Water-cooled 3 cyl. Diesel		
	Model	YANMAR 3TNV88-BDFW		
	Output	hp (kW)/rpm	34.1/25.4 (3000)	
Transmission		Two speed automatic hydrostatic transmission and Reduction gear		
Under Carriage	Track type		Steel-reinforced rubber track	
	Track width		1' (320)	
	Min. ground clearance		10" (265)	
	Ground contact pressure	Unloaded	psi (kPa)	3.9 (26.9)
Loaded		psi (kPa)	8.1 (55.4)	
Brake	Service brake	Type	Mechanical wet multiple disk	
		Operation	Pedal, mechanical	
	Parking brake	Type	Common with service brake	
		Operation	Lever, mechanical	
Performance	Max. payload		5510 (2500)	
	Max. dumping angle		58	
	Dump clearance		1'4" (415)	
	Dump body capacity	Struck	cu.yd (m ³)	1.15 (0.88)
		Heaped	cu.yd (m ³)	1.62 (1.24)
	Travel speed	Forward	mph (km/h)	Low speed 0-2.5 (0-4.0) / High speed 0-6.8 (0-11.0)
Reverse		mph (km/h)	Low speed 0-2.5 (0-4.0) / High speed 0-6.8 (0-11.0)	
Traction force		lbs (kN)	5510 (24.5)	
Hydraulic System	Pump (for dump)		Gear	
	Control valve		Single spool, mechanical control	
	Pump displacement		cu.in (cm ³) / rev	0.40 (6.5)
	Relief valve pressure		psi (MPa)	2490 (17.2)
Fuel tank capacity		Gals (L)	10.6 (40)	

Note : All information presented in this Brochure is subject to change without notice.

YANMAR AMERICA CORP.

CONSTRUCTION EQUIPMENT DIV.

101 International Parkway, Adairsville, GA 30103, U.S.A.

TEL:770-877-7570 FAX:770-877-7572

<http://www.yanmar.com>