

C50R-3C
5535/5985 kg



Call for Yanmar solutions





> HIGH PERFORMANCE

C50R-3C

The Yanmar C50R-3C is an all-terrain carrier especially efficient under extreme conditions where ordinary trucks cannot operate. The C50R-3C is ideal for use on: slopes, sand and soft and swampy areas.

Power and productivity

- > Robustness of the carriage:
 - Large steel reinforced rubber crawlers with automatic track tension.
 - Double flange track rollers with pendular supports.
 - Perfect traction on extreme grounds.
- > Very low ground pressure.



Clean exhaust and powerful output

The direct injection diesel engine was built for clean emissions and powerful output. With its improved fuel injection system, it meets Stage IIIA emissions regulations of the European Commission (EC). Its quiet operation makes it both people- and planet-friendly.



Constant horsepower mechanism minimizes the risk of engine stalling

The power and speed are controlled automatically according to the load. Engine stalling is less likely while travelling on slopes or turning while loaded.

Advantages in comparison to an ordinary truck:

- > Low centre of gravity: maximum working safety.
- > When tunnelling, the slim-bodied C50R-3C with its unique revolving operator's seat offers versatility no ordinary truck can match.
- > The C50R-3C's high floatation capability associated with low ground pressure allows productive operation in wet muddy conditions and minimizes disturbance to environmentally sensitive areas.
- > Reversible seat and travel lever: possibility of travelling in the direction of the load when the machine is manoeuvring through obstacles.

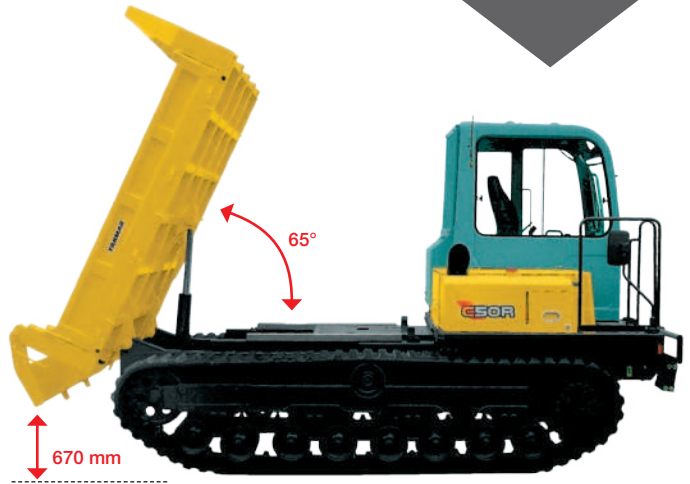
> HIGH PERFORMANCE

C50R-3C



Dumping

- > Ample dumping angle (65°).
- > High ground clearance of the vessel (670 mm).
- > Advantages:
 - Safe dumping.
 - Single dumping stroke.



Turning vessel in option

Principle: vessel mounted on a turning frame for sideways dumping.

Efficiency and safety of work

- > Progressive dumping along a trench.
- > Sideway protrusion reduced to 845 mm: dumping near excavation with high stability.
- > Possibility to get very close to digging areas while maintaining a distance of security.



HST transmission

- > Transmission with torque regulation. The speed is adapted according to the load without engine speed decreasing: no engine stalling even on heavy slopes.
- > Hydraulic pilot travel lever: precise operations.
- > Quick and smooth change of travel direction.
- > Automatic speed change.
- > Lockout mechanism in low speed to do safe work.
- > The hydrostatic transmission enables to install a more powerful hydraulic pump of assistance.

Various attachments*

The C50R-3C is perfectly adapted to the installation by attachment specialists* of various accessories: borers, cranes, winches, generators...

* Not available from Yanmar Construction Equipment Europe.



> COMFORT

C50R-3C

Full operational comfort for ease of operation and work efficiency.

Comfortable operation from the operator's area

- > The height and width of the operator's area allows comfortable and easy operation.

The reversible travel lever and seat combination raises work efficiency on narrow jobsites

- > The operator's seat and the travel levers turn 180° together.
- > The machine is always moving forward for the operator.
- > Safer work environment even on mountain paths or other restricted worksites where it is hard to turn the machine.
- > No need to turn the machine to exit the jobsite: reduced damages to environmentally sensitive areas.



Simple, low fatigue hydraulic pilot travel lever

- > Adjustment-free travel lever: no need to adjust the stroke as with a mechanical lever.
- > Light and easy use of the hydraulic pilot lever.
- > Minimal fatigue for the operator even during long operation.



- > Easy access to control levers and simple use.

> SECURITY

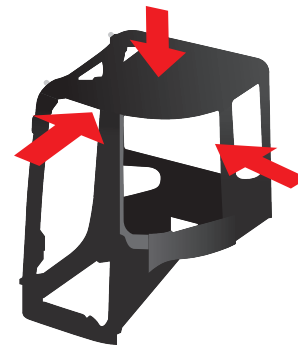
C50R-3C



- > In raised position, the lock lever includes engine neutral start mechanism to prevent danger of accidental operation.
- > Seat with safety belt.
- > The reversible seat enhances the security of the operator:
 - During the passage of an obstacle, the operator has to drive C50R-3C with the load forward.
 - This position enables to stabilize the load and not to tip over while passing the obstacle, which is not possible with a fixed seat.

ISO-conforming cabin with sharply enhanced rigidity for safety and confidence

The cabin's use of a high-strength, high-rigidity ROPS enhances protects operator space in the event of a rollover. It also conforms to the FOPS2 standard for structures protecting the operator from falling objects. This sturdy cabin lets you work in comfort and confidence.



ROPS
Roll Over
Protective Structure
ISO 3471

FOPS 2
Falling Object
Protective Structure
ISO 3449 / Level 2

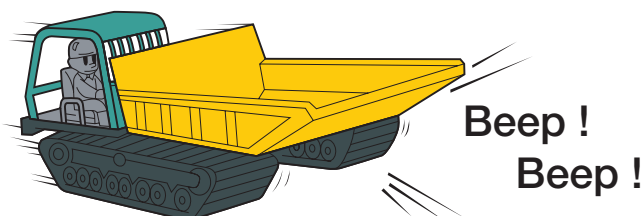


Excellent visibility

- > Removable windscreen.
- > Right forward visibility: the right corner of the machine has been lowered to improve visibility and security.
- > The normal blind spot of the machine has been minimized to ensure a broad view from the operator station.
- > Rear mirrors on both sides of the machine.

Reversing warning buzzer

When reversing, the warning buzzer sounds automatically.



Automatic parking brake is incorporated in the travel lever

When the travel lever is shifted to neutral, the parking brake functions automatically. This prevents damage due to mis-operation and brake dragging, and takes the anxiety out of parking on slopes.



> MAINTENANCE

C50R-3C



Easy maintenance

Excellent position of inspection hatches allowing an easy access:

- > To engine components and daily control points (water, engine oil, fan belt, hydraulic oil filter) due to the opening of a bonnet on the platform.
- > To air filter, diesel filter due to the opening of a lateral bonnet.
- > To the battery due to the opening of a hatch on the platform.



Platform for easy inspection and servicing

The platform in front the engine hood permits easy inspection and servicing access to the engine.

Tilting rear mirror

The rear view mirror is on a flexible frame so it bends rather than breaks even in collisions with objects.



TECHNICAL SPECIFICATIONS

C50R-3C



Operating weight +- 2% (EC Norms):

> 5535 kg

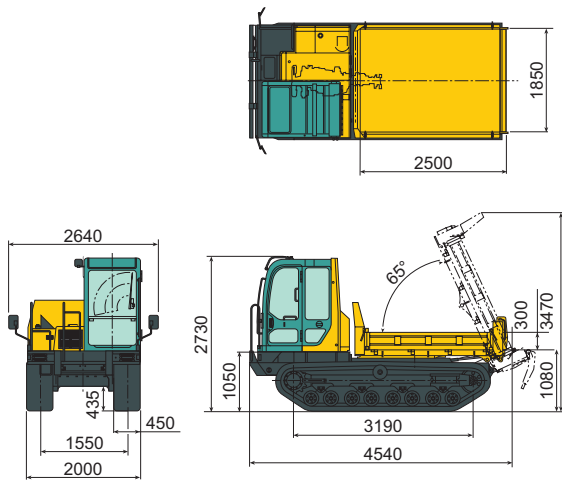
Transport weight +-2% (EC Norms):

> 5460 kg

Payload:

> 3800 kg

C50R-3C standard vessel one side dumping (rear)



Operating weight +- 2% (EC Norms):

> 5985 kg

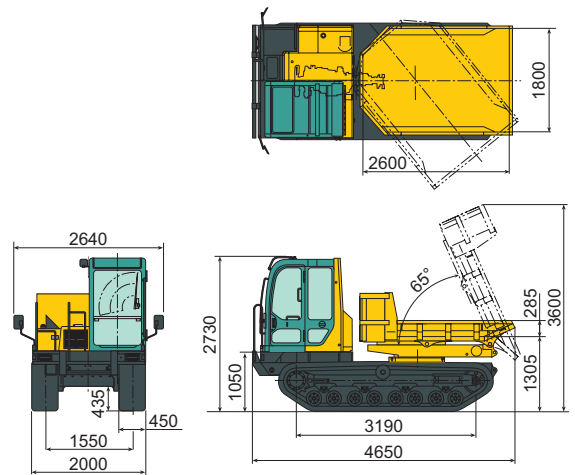
Transport weight +-2% (EC Norms):

> 5910 kg

Payload:

> 3500 kg

C50R-3CTV turning vessel (180°)



Engine

Diesel 4 cylinders.....	ISUZU 4JJ1XDIA
Rated output	72 kw / 97.8 HP / 2200 rpm
Displacement	2999 cm ³
Max. torque.....	385 N.m. / 1600 rpm

Performances

	C50R-3C standard vessel	C50R-3CTV turning vessel 180°
Dumping angle	65°	65°
Vessel dimensions (L x w x h)	2500 x 1850 x 300 mm	2600 x 1800 x 285 mm
Dumping mechanism	1 side (rear)	3 sides
Dump vessel capacity (struck / heaped) ...	1.4 / 2.3 m ³	1.2 / 2.1 m ³
Dump clearance	670 mm	890 mm
Max. travelling speed (forward/reverse) ...	10 km/h	10 km/h

Undercarriage

	C50R-3C standard vessel	C50R-3CTV turning vessel 180°
Track width.....	450 mm	450 mm
Min. ground clearance.....	435 mm	435 mm
Ground pressure (unloaded/ loaded).....	0.2 / 0.32 kg/cm ²	0.22 / 0.33 kg/cm ²

Miscellaneous

2 hydrostatic transmissions with hydraulic pilot.....	
Hydraulic system for vessel and pilot functions	1 gear pump
Hydraulic tank	36 l
Fuel tank	57 l
Noise Level LwA (2000/14/EC & 2005/88/EC).....	84 dBA (LpA) / 103 dBA (LwA)



Printed in France – Materials and specifications are subject to change from the manufacturer without notice – Please contact your local Yanmar Construction Equipment Europe dealer for further information.

Yanmar Construction Equipment Europe S.A.S.

25, rue de la Tambourine
52100 SAINT DIZIER – FRANCE
contact@yanmar.fr

www.yanmar.eu